

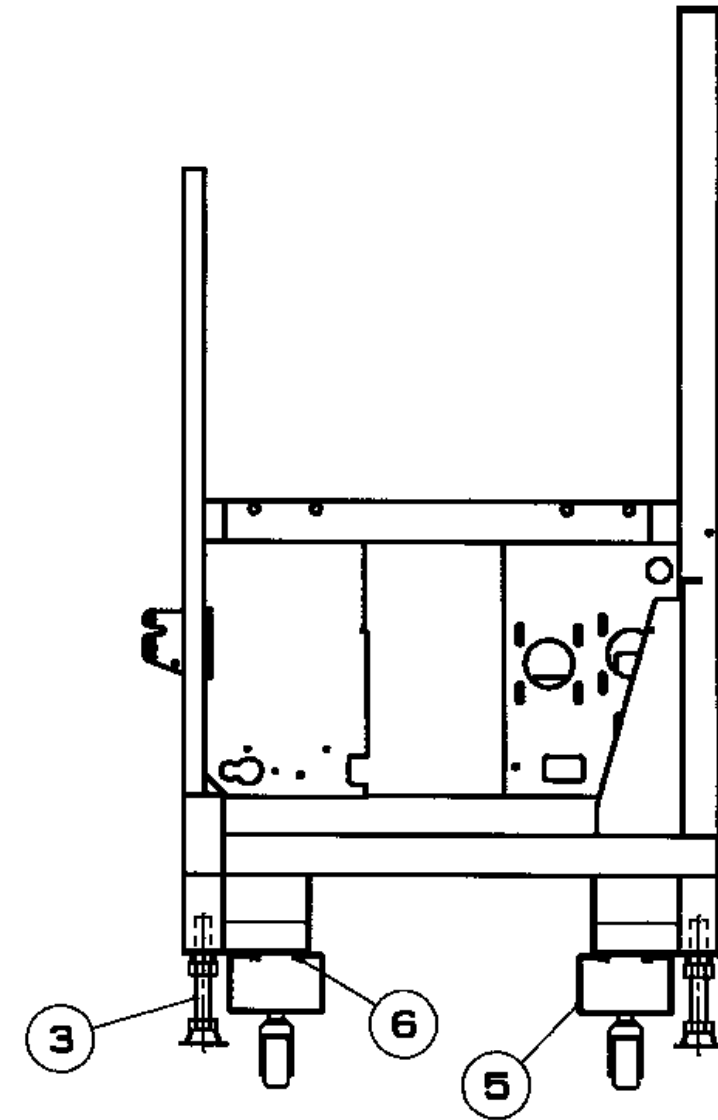
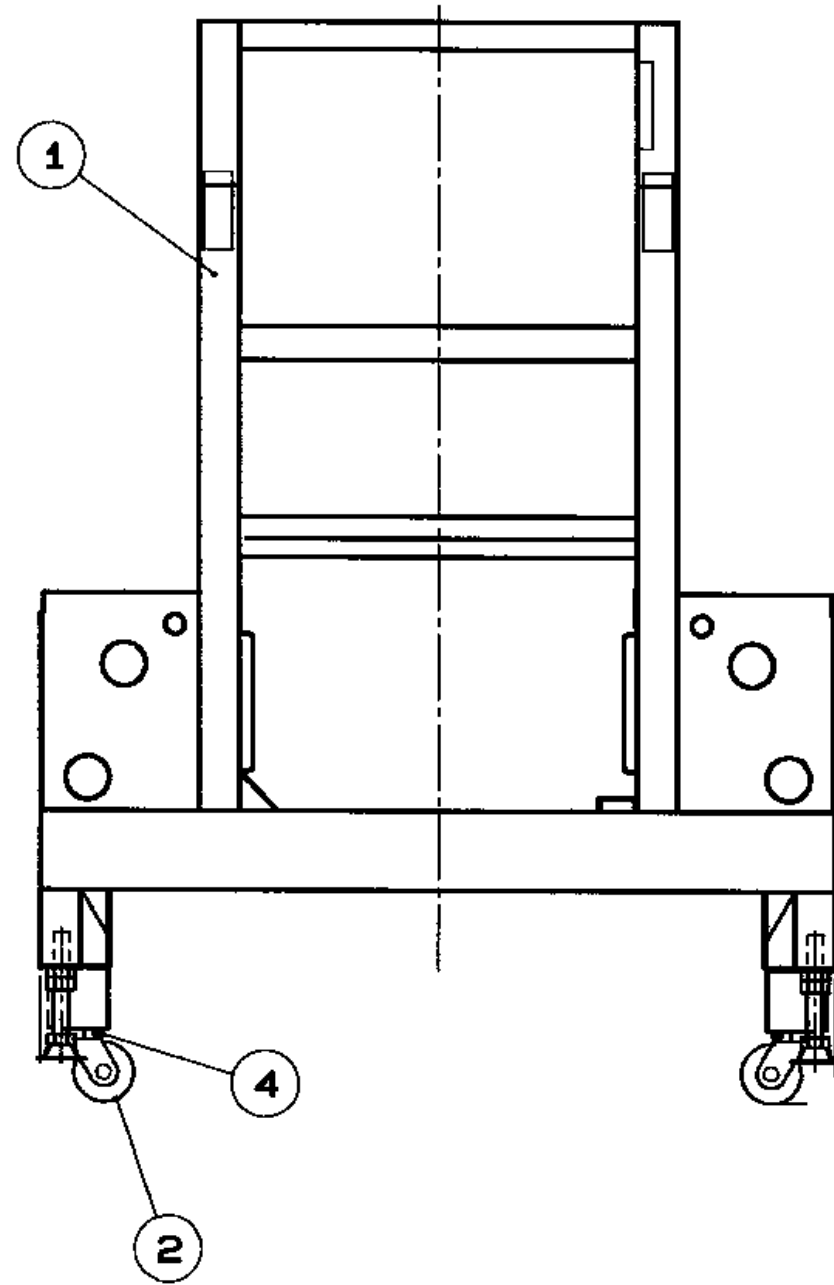
WM-4000

Wrapper Main Body Assy



(Wrapper Main Body Assy)

REF #	PART #	DESCRIPTION	QTY	SYNONYM	PRICE
1	Consult....	Frame, main body	1.....	098-8197-00.....	Consult
2	Consult....	Caster, universal	4.....	079-3136-03.....	\$35.00
3	47246.....	Jack bolt	4.....	057-0319-04.....	34.00
4	Consult....	Hex bolt, bolt and washer assy.....	32.....	040-3859-00.....	1.00
5	Consult....	Bracket, caster	4.....	108-8109-03.....	126.00
999	Consult....	Spacer, jack.....	4.....	108-8094-01.....	82.00



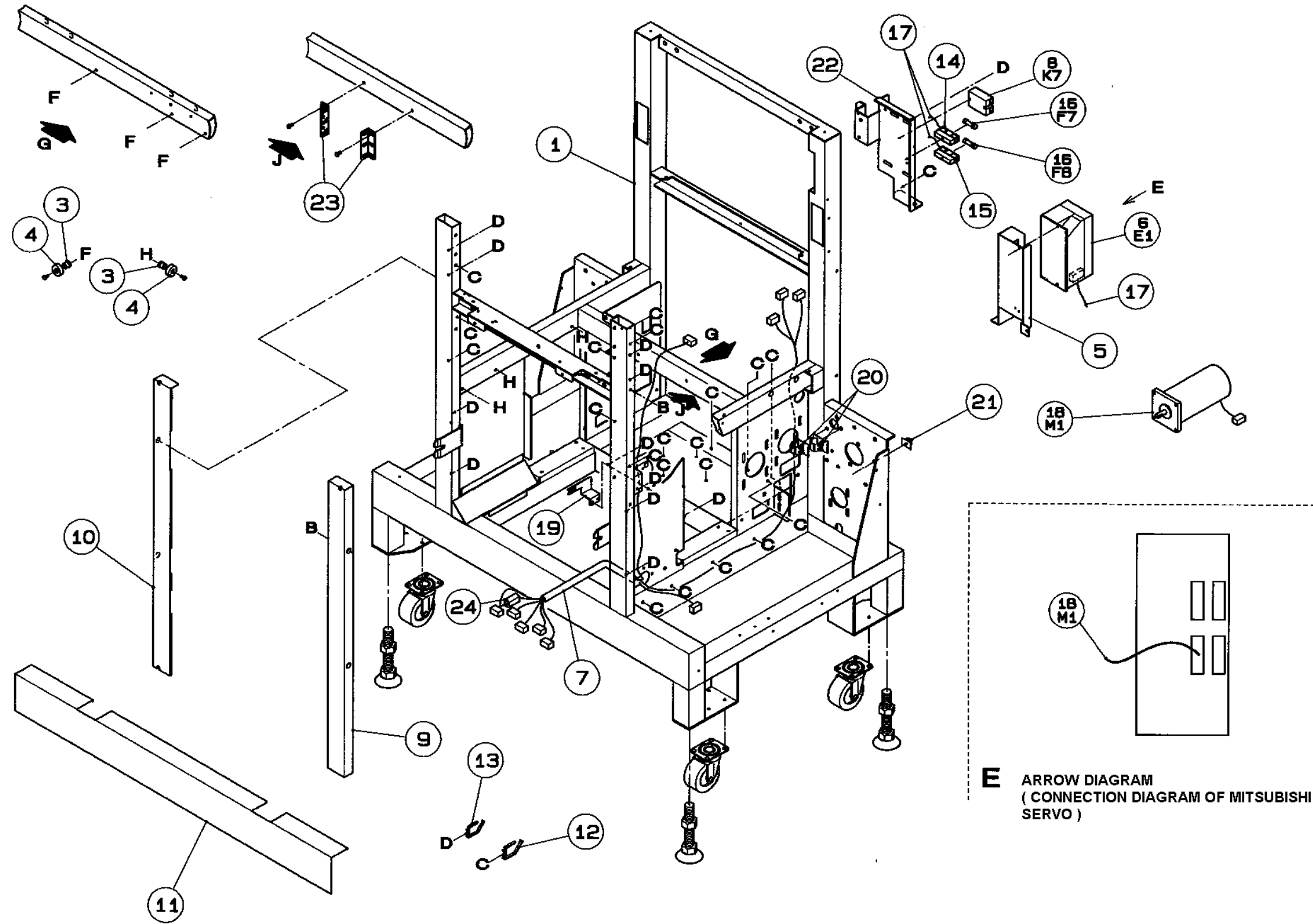
WM-4000

Wrapper Main Body Unit



(Wrapper Main Body Unit)

REF #	PART #	DESCRIPTION	QTY	SYNONYM	PRICE
3	Consult....	Collar.....	6.....	079-3054-01	\$6.00
4	84792.....	Bearing, radial, deep groove	6.....	051-4933-02	12.00
5	Consult....	Bracket, amp, servo	1.....	079-3265-29	28.00
6	99030.....	Controller, driver, servo, lift	1.....	092-2515-05	1,089.00
7	Consult....	Harness, C10, infeed	1.....	079-3409-28	128.00
8	157895....	Relay, solid state.....	1.....	073-7118-07	30.00
9	Consult....	Cover, frame, main body.....	1.....	072-2467-66	45.00
10	Consult....	Cover, frame, main body.....	1.....	072-2468-60	45.00
11	Consult....	Cover, main body, lower	1.....	091-0513-12	52.00
12	Consult....	Accessory, clamp, LWS clamp.....	17.....	073-7214-01	1.00
13	Consult....	Accessory, clamp, LWS clamp.....	13.....	073-7215-05	1.00
14	72857.....	Fuse holder, terminal type	1.....	000-4119-04	9.00
15	72856.....	Fuse holder, terminal type	1.....	040-2724-07	9.00
16	99133.....	Fuse, glass tube	2.....	017-5713-01	2.00
18	99031.....	Motor, servo, lift	1.....	092-2516-09	488.00
19	Consult....	Switch, actuator, draw	1.....	079-3033-12	6.00
20	Consult....	Accessory clamp, CKS clamp	2.....	052-4732-08	3.00
21	Consult....	Accessory clamp, CKS clamp	1.....	032-9012-00	2.00
22	Consult....	Frame, motor, feeder	1.....	079-3266-41	45.00
23	Consult....	Bracket, frame, change	2.....	101-1522-02	9.00
24	Consult....	Filter, ferrite	1.....	044-2730-09	8.00



E ARROW DIAGRAM
(CONNECTION DIAGRAM OF MITSUBISHI
SERVO)

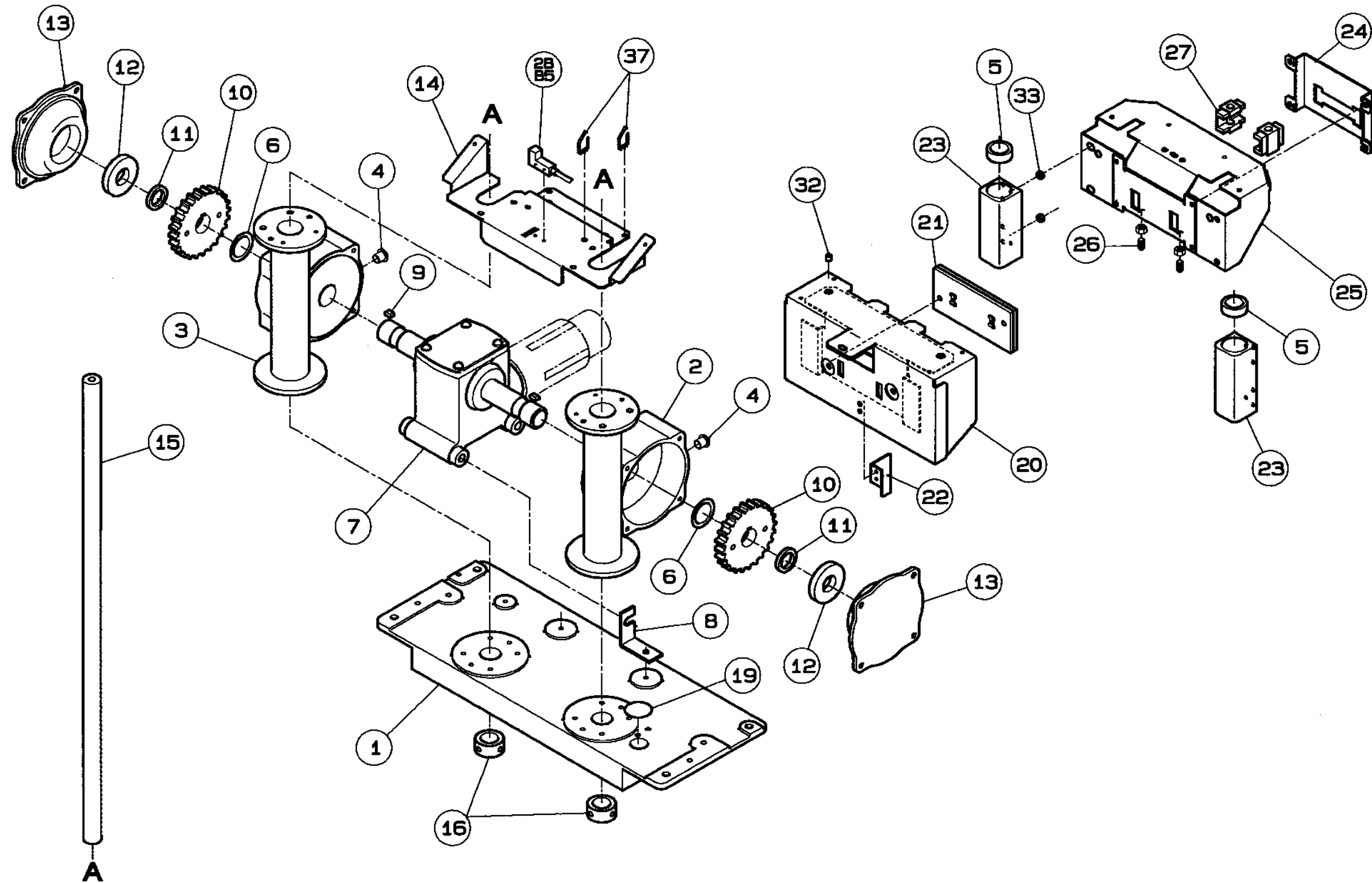
WM-4000

Lift Drive Unit



(Lift Drive Unit)

REF #	PART #	DESCRIPTION	QTY	SYNONYM	PRICE
1	Consult....	Base, lift	1	042-4997-27	\$156.00
2	Consult....	Case, gear, lift assy.....	1	072-2361-01	188.00
3	Consult....	Case, gear, lift assy.....	1	072-2362-04	188.00
4	42967.....	Cap	2	001-4457-01	1.25
5	Consult....	Pusher, serment M	4	041-4355-01	62.00
6	Consult....	Oil seal	2	041-4359-05	8.00
7	Consult....	Gear head, worm	1	065-9665-01	400.00
8	Consult....	Bracket, gear, head	1	042-4523-16	7.00
9	Consult....	Key, parallel, both ends round.....	2	046-2185-03	3.00
10	Consult....	Gear, flat.....	2	042-4539-24	99.00
11	Consult....	Collar, pinion, hold	2	042-4515-25	5.00
12	Consult....	Bearing, radial, deep groove	2	000-3654-07	13.00
13	Consult....	Holder, bearing, lift.....	2	042-4622-21	33.00
14	Consult....	Bracket, lift, drive.....	1	101-1504-05	30.00
15	Consult....	Gear, rack lift	2	101-1502-08	188.00
16	Consult....	Collar, stopper	2	098-3130-02	14.00
19	41654.....	Seal	1	014-3683-03	3.85
20	Consult....	Base, head, lift F.....	1	101-1501-13	109.00
21	Consult....	Plate B, connect, fix.....	1	079-3045-26	30.00
22	Consult....	Detect, plate, original, lift.....	1	101-1585-07	6.00
23	Consult....	Block B, housing, rear head.....	2	070-5489-00	25.00
24	Consult....	Bracket, connect, rear head	1	101-1503-01	34.00
25	Consult....	Base, head, lift R	1	101-1521-18	99.00
26	157864....	Ball plungers.....	2	072-2115-01	41.00
27	Consult....	Block B, slide, lift change over	2	076-1781-07	7.00
28	99029.....	Sensor assy lift lower	1	072-2279-26	58.00
32	Consult....	Collar, lift head	8	076-9554-16	2.00
33	Consult....	Collar.....	2	090-0667-06	4.00
37	Consult....	Accessory, clamp, LWS clamp.....	2	073-7212-04	1.00



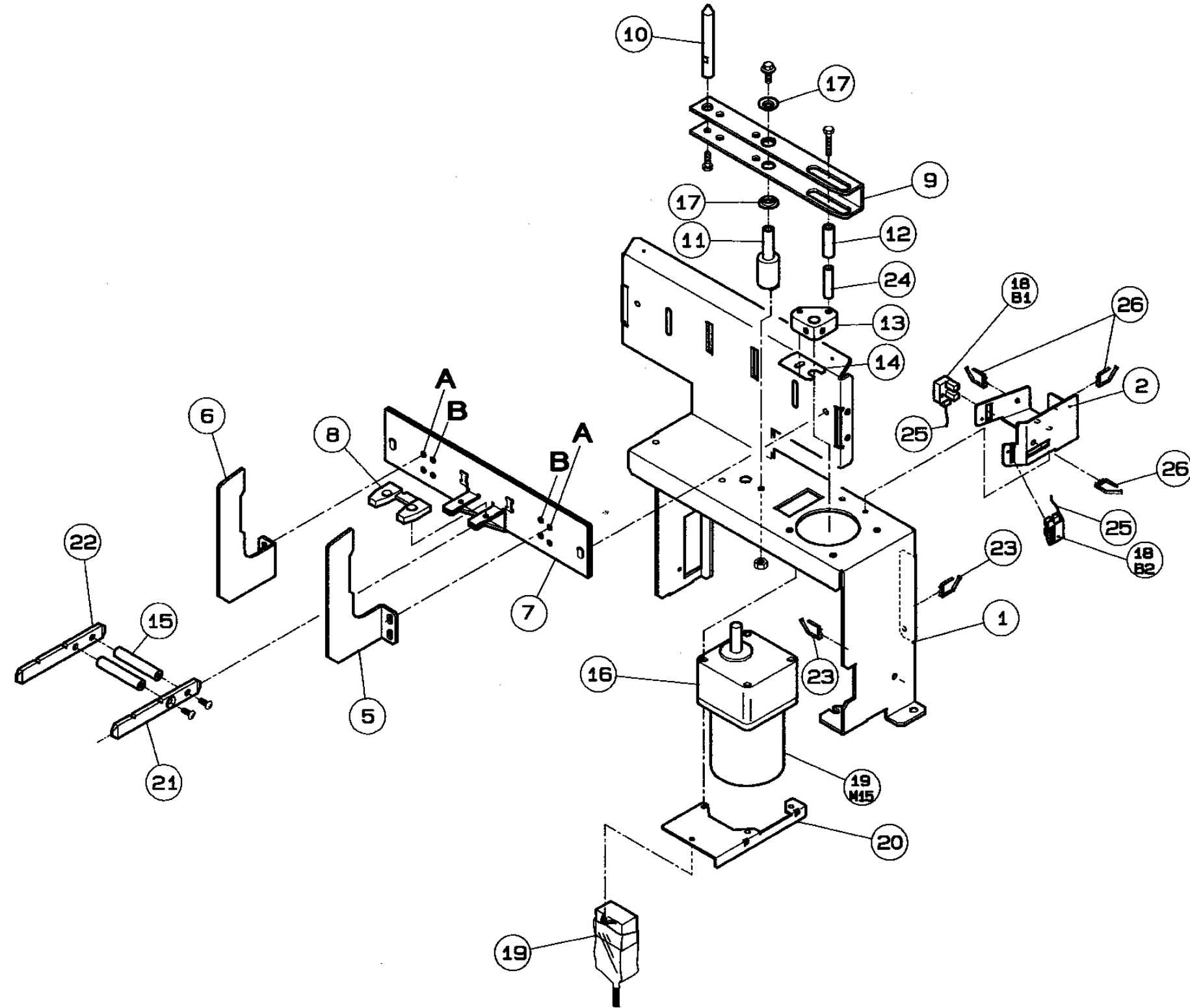
WM-4000

Lift Changeover Unit



(Lift Changeover Unit)

REF #	PART #	DESCRIPTION	QTY	SYNONYM	PRICE
1	Consult....	Frame, change	1.....	101-1520-23.....	\$126.00
2	Consult....	Bracket, sensor, change	1.....	079-3051-10.....	20.00
5	Consult....	Bracket, stopper.....	1.....	101-1518-25.....	48.00
6	Consult....	Bracket, stopper.....	1.....	101-1519-29.....	48.00
7	Consult....	Bracket, change, lift, R	1.....	098-8199-25.....	82.00
8	Consult....	Block B, change.....	1.....	079-1293-17.....	3.00
9	Consult....	U plate B, link, change.....	1.....	069-2385-20.....	45.00
10	Consult....	Pin, move, change.....	1.....	069-2389-33.....	12.00
11	Consult....	Pin, fulcrum, change.....	1.....	079-3046-11.....	12.00
12	Consult....	Collar, link.....	1.....	069-2387-27.....	8.00
13	Consult....	Boss, motor, changeover.....	1.....	076-1782-01.....	12.00
14	Consult....	Plate B, sensor plate, changeover	1.....	072-2185-20.....	4.00
15	Consult....	Shaft, moving, lift changeover.....	2.....	070-5185-26.....	9.00
16	Consult....	Gear head	1.....	025-3814-01.....	199.00
17	Consult....	Bush.....	2.....	028-1527-06.....	2.00
18	104239....	Photo interrupter, trans	2.....	070-5204-14.....	9.00
19	Consult....	Motor assy lift changeover	1.....	069-4690-23.....	153.00
20	Consult....	L plate B, nut plate, lift.....	1.....	079-3043-01.....	11.00
21	Consult....	Block B, lift change, ratch.....	1.....	091-0529-02.....	41.00
22	Consult....	Block B, lift change, ratch.....	1.....	091-0530-07.....	41.00
23	Consult....	Accessory, clamp LWS clamp.....	3.....	073-7213-08.....	1.00
24	Consult....	Collar, link, change B	1.....	073-7367-08.....	6.00
25	Consult....	Harness, C4, lift sensor	1.....	069-4559-46.....	38.00
26	Consult....	Accessory, clamp, LWS clamp.....	3.....	073-7212-04.....	1.00



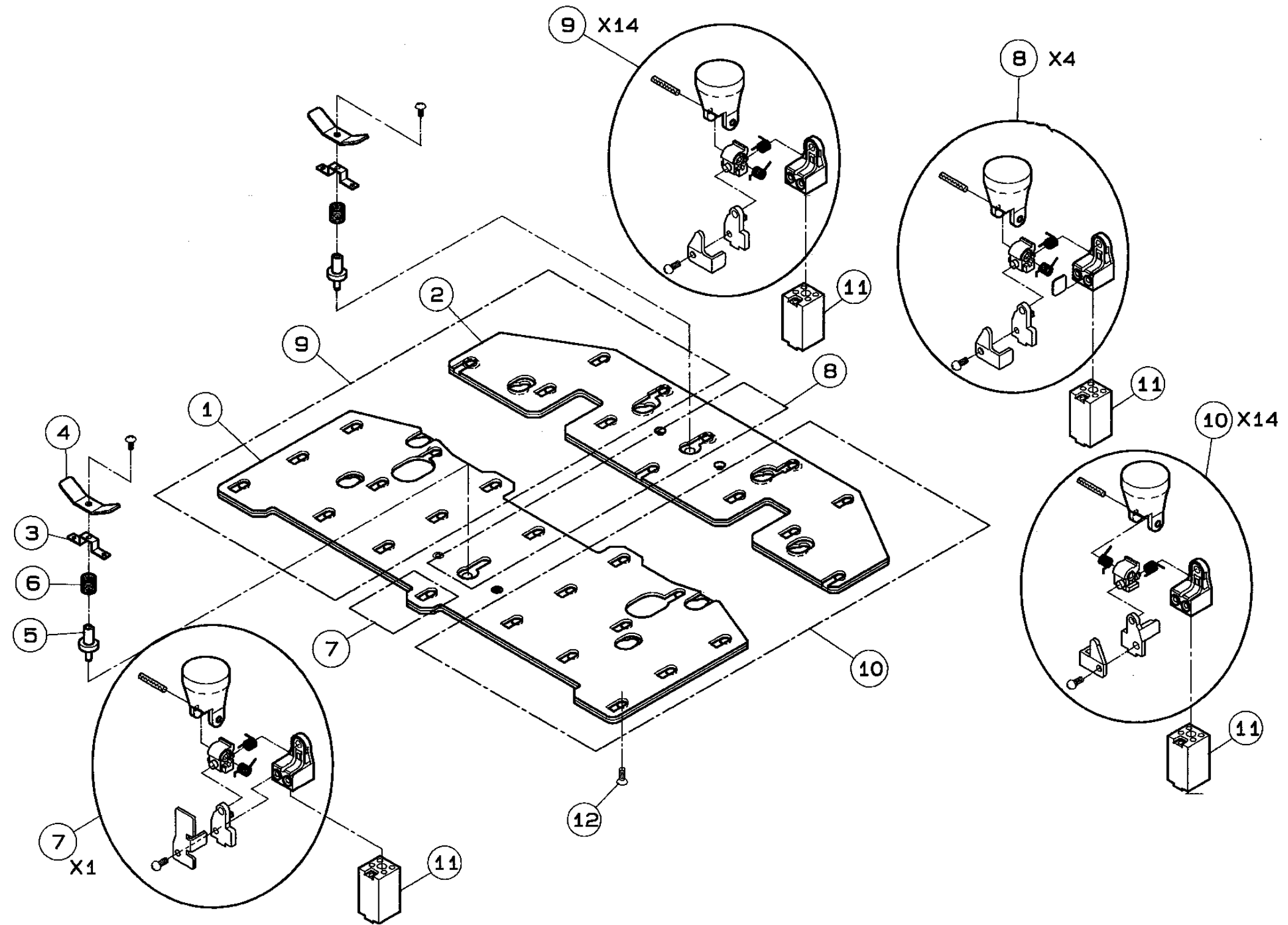
WM-4000

Lift Head Unit



(Lift Head Unit)

REF #	PART #	DESCRIPTION	QTY	SYNONYM	PRICE
1		Consult....Plate B, head, lift F	1	098-3140-19.....	\$48.00
2		Consult....Plate B, head, lift R.....	1	098-3141-03.....	35.00
3	157844	Bracket, lift, flex.....	2	116-1863-08.....	13.00
4	157845	Plate, lift head.....	2	116-1864-0.....	13.00
5	157846	Shaft, lift, fix.....	2	101-1727-09.....	11.00
6	157847	Spring, coil, compressive.....	2	098-3135-01.....	5.00
7	157838	Lift head of CF steel part number 130-6794-01 ...	1	098-8225-29.....	20.00
8	157839	Lift head assy C.....	4	098-8359-33.....	11.00
9	157840	Lift head assy L.....	14	098-8360-38.....	11.00
10	157841	Lift head assy R.....	14	098-8361-31.....	11.00
11	157842	Block B, spacer, C.....	33	098-8227-26.....	4.00
12	157843	Tapping screw, pan head.....	33	098-8231-03.....	1.00



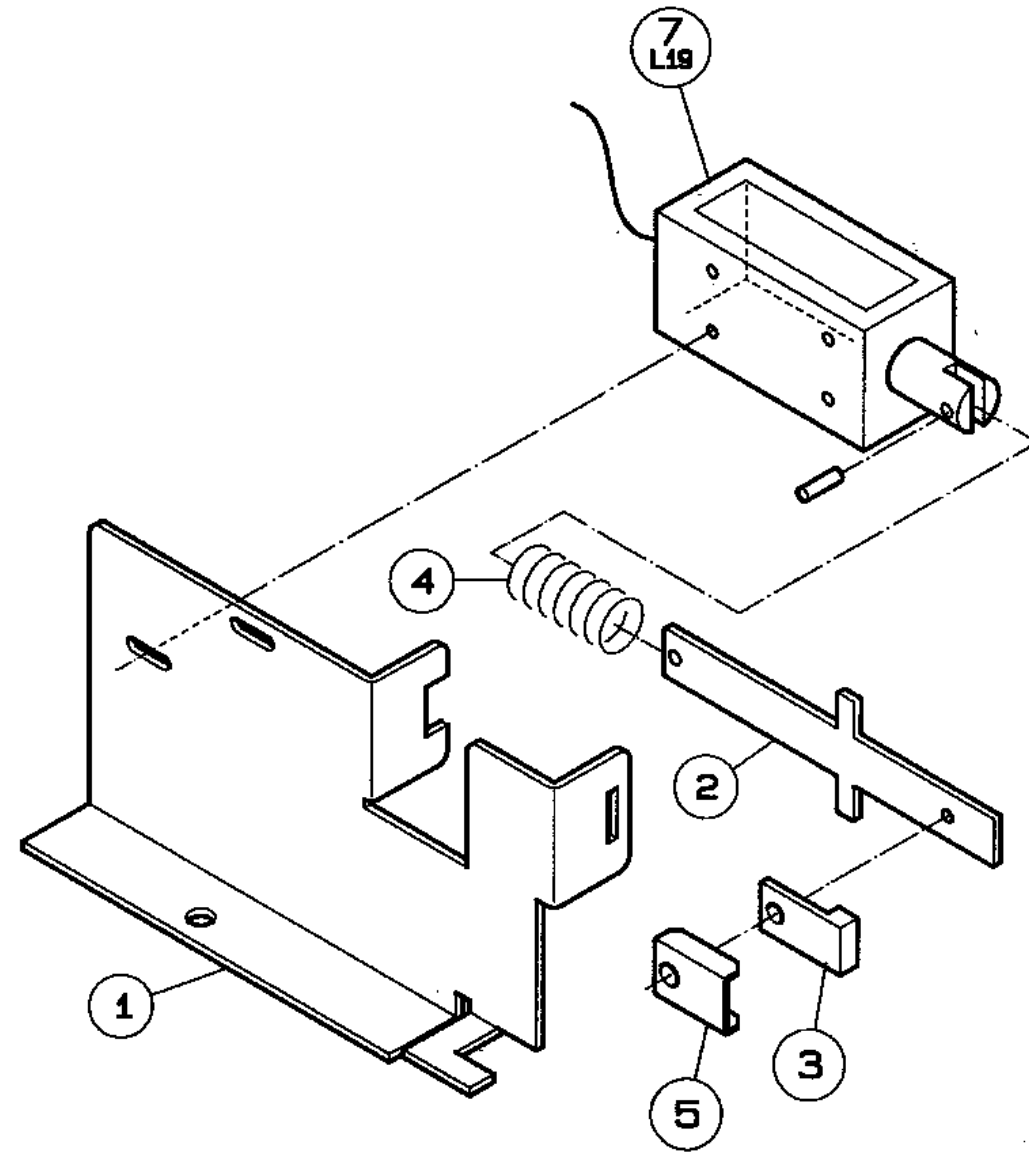
WM-4000

Lift Stopper Unit



(Lift Stopper Unit)

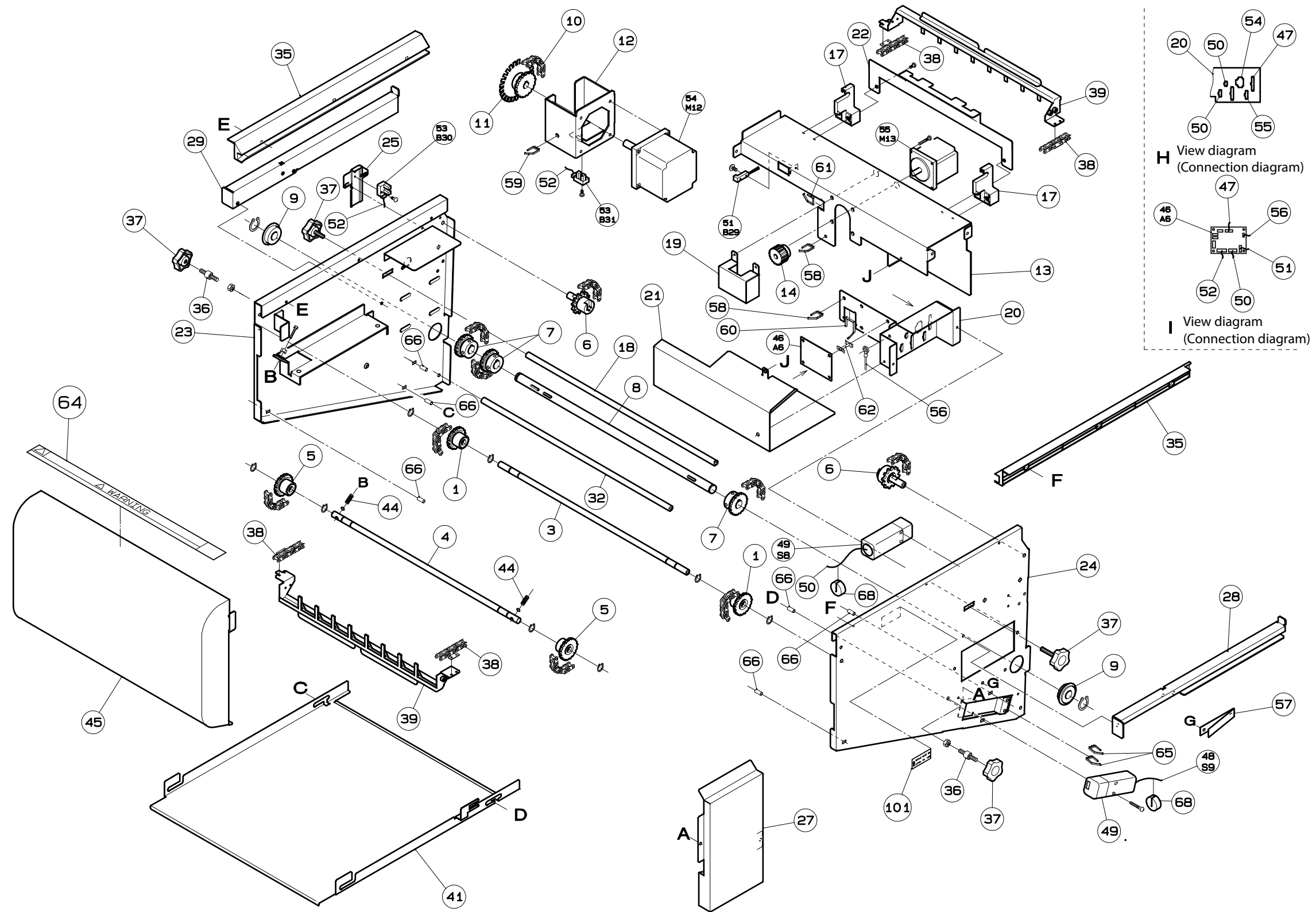
REF #	PART #	DESCRIPTION	QTY	SYNONYM	PRICE
1	Consult....	Bracket, solenoid, lift	1091-0505-12	\$19.00
2	164213....	Plate B, solenoid	1091-0504-19	10.00
3	157893....	Block B, stopper, lift change	1070-5181-21	17.00
4	164214....	Spring, coil, compressive.....	1091-0649-06	4.00
5	164215....	U plate A, lift, stopper	1070-5183-10	7.00
7	164216....	Solenoid, lift hold	1090-0794-06	27.00





(Infeed Unit)

REF #	PART #	DESCRIPTION	QTY	SYNONYM	PRICE
1		Consult.... Sprocket, 35, C.....	2.....	079-3055-14.....	\$38.00
3		Consult.... Shaft, fixed.....	1.....	079-3031-24.....	30.00
4		Consult.... Shaft, tension.....	1.....	079-3032-00.....	25.00
5		Consult.... Sprocket, 35, C.....	2.....	079-3056-18.....	34.00
6		Consult.... Sprocket assy.....	2.....	076-9971-16.....	66.00
7		Consult.... Sprocket, T35, B.....	3.....	076-9805-11.....	28.00
8		Consult.... Shaft, drive.....	1.....	070-1024-34.....	48.00
9	106115....	Bearing, radial, deep groove.....	2.....	030-6366-02.....	12.00
10		Consult.... Chain, roller, sus.....	1.....	057-7088-00.....	24.00
11		Consult.... Sprocket assy, motor.....	1.....	076-9972-10.....	41.00
12		Consult.... Bracket, motor, conveyor.....	1.....	090-0657-18.....	48.00
13		Consult.... Bracket, cover, motor.....	1.....	079-3036-22.....	126.00
14		Consult.... Gear, flat.....	2.....	076-1963-08.....	45.00
17		Consult.... Holder, shaft, lower.....	1.....	076-9797-05.....	6.00
18		Consult.... Threaded rod, round, FF.....	1.....	072-2111-06.....	25.00
19		Consult.... Cover, gear.....	1.....	072-2200-04.....	22.00
20		Consult.... Bracket, connector.....	1.....	070-5228-31.....	34.00
21		Consult.... Cover, infeed, board.....	1.....	079-3026-43.....	35.00
22	162625....	Guide, transfer.....	1.....	098-3138-39.....	101.00
23		Consult.... Frame, conveyor L.....	1.....	079-3038-48.....	189.00
24		Consult.... Frame, conveyor R.....	1.....	079-3039-41.....	189.00
25		Consult.... Bracket, sensor, starting point.....	1.....	070-1103-44.....	24.00
27		Consult.... Cover, harness.....	1.....	090-0764-13.....	30.00
28		Consult.... Rail.....	1.....	079-3028-22.....	55.00
29		Consult.... Rail.....	1.....	079-3029-26.....	55.00
32		Consult.... Threaded rod, round, FF.....	1.....	070-1033-10.....	24.00
35	157850....	Guide, pusher, L+R (set).....	1.....	101-1852-01.....	198.00
--	156992....	Guide, pusher, extended, L+R (set).....			440.00
36	157849....	Threaded rod, round, mm.....	2.....	072-2229-01.....	9.00
37	47159....	Knob.....	4.....	000-1543-00.....	4.00
38	157882....	Chain, roller.....	2.....	070-1023-12.....	71.00
39	157848....	Pusher, feed, PS.....	3.....	098-3287-21.....	184.00
41		Consult.... Cover, lower.....	1.....	079-3034-25.....	85.00
44		Consult.... Spring, coil, compressive.....	2.....	091-0601-08.....	6.00
45		Consult.... Cover, conveyor.....	1.....	090-0658-49.....	131.00
46	159671....	PWB, P-921, A-1 infeed I/O.....	1.....	068-9898-21.....	82.00
47		Consult.... Harness, C2, comm.....	1.....	069-6787-55.....	11.00
48		Consult.... Harness, C5, lower cover.....	1.....	072-2097-34.....	8.00
49	157866....	Switch, safety, infeed and debris door.....	2.....	111-8428-00.....	77.00
50		Consult.... Harness, C7, drawer.....	1.....	071-4665-30.....	15.00
51		Consult.... Sensor assy, centering.....	1.....	072-2096-31.....	62.00
52		Consult.... Harness, C3, sensor.....	1.....	090-0787-00.....	12.00
53	104239....	Photo interrupter, transmitters.....	2.....	070-5204-14.....	9.00
54	167686....	Motor, stepping, infeed.....	1.....	070-1251-06.....	207.00
55		Consult.... Motor, stepping, centering.....	1.....	070-1416-03.....	158.00
56		Consult.... Harness, C2, ground.....	1.....	072-2104-28.....	2.00
57		Consult.... Accessory, clamp, flat clamp.....	1.....	065-1823-03.....	7.00
58		Consult.... Accessory, clamp, LWS clamp.....	2.....	073-7214-01.....	1.00
59		Consult.... Accessory, clamp, LWS clamp.....	1.....	073-7212-04.....	1.00
60		Consult.... Accessory, fastener.....	1.....	073-7211-01.....	2.00
61		Consult.... Accessory, fastener, edge saddle.....	1.....	064-0360-05.....	2.00
62	47027....	PWB accessory, card spacer.....	4.....	000-1796-05.....	1.00
64		Consult.... Name plate, caution.....	1.....	106-6701-16.....	58.00
65		Consult.... Accessory, clamp, LWS clamp.....	2.....	073-7213-08.....	1.00
66		Consult.... Pin, feed, fulcrum.....	6.....	090-0912-09.....	5.00
68		Consult.... Cap, harness, switch.....	2.....	091-0707-09.....	2.00
101		Consult.... Name plate, level.....	1.....	025-2570-09.....	15.00



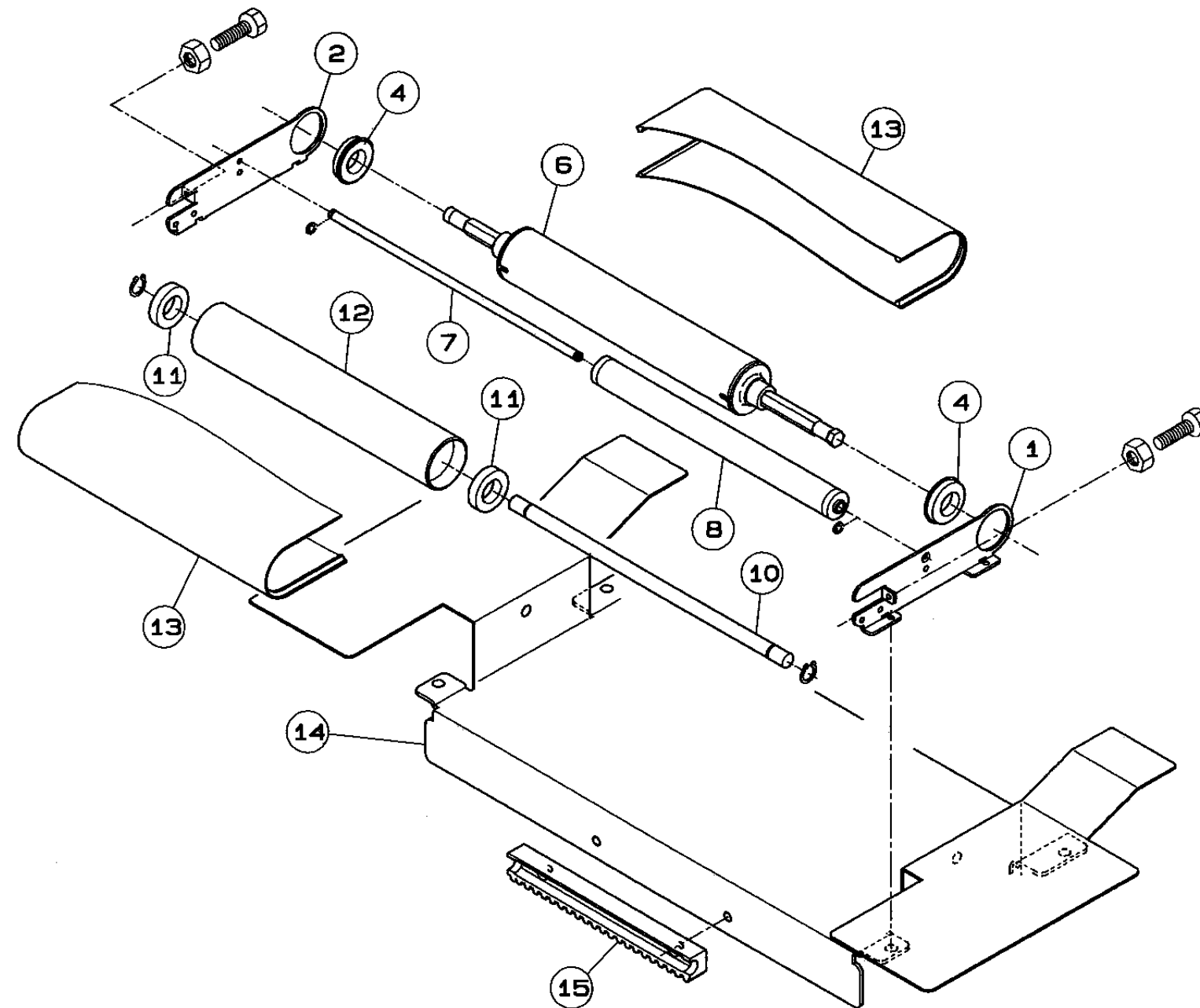
WM-4000

Centering Unit



(Centering Unit)

REF #	PART #	DESCRIPTION	QTY	SYNONYM	PRICE
1		Consult....Frame, conveyor, centering.....	1	076-1925-06.....	\$11.00
2		Consult....Frame, conveyor, centering.....	1	076-1926-00.....	11.00
4		Consult....Bearing, radial, deep groove.....	2	076-1701-09.....	21.00
6		Consult....Roller assy, drive.....	1	095-4176-14.....	139.00
7		Consult....Shaft, roller.....	1	072-2152-18.....	23.00
8		Consult....Roller.....	1	072-2150-11.....	35.00
10		Consult....Shaft, follower.....	1	076-9996-19.....	27.00
11		Consult....Bearing, radial, deep groove.....	2	016-4885-07.....	7.00
12		Consult....Roller, follower.....	1	070-1042-31.....	52.00
13		Consult....Flat belt.....	1	090-0924-12.....	126.00
14		Consult....Bracket, rack.....	1	090-0748-22.....	123.00
15	157896....	Gear, rack.....	1	076-1842-01.....	6.00





(Frame Unit)

REF #	PART #	DESCRIPTION	QTY	SYNONYM	PRICE
1	Consult....	Frame, connect, link	1.....	090-0672-23	\$48.00
2	Consult....	Frame, motor, wrapper	1.....	076-9985-36	90.00
3	Consult....	Frame, link, R	1.....	091-0508-04	38.00
4	Consult....	Frame, link, L.....	1.....	090-0669-12	52.00
5	Consult....	Frame, wrapper, L	1.....	090-0754-25	48.00
6	Consult....	Frame, wrapper, R.....	1.....	090-0755-29	48.00
7	Consult....	Frame, slide, packing.....	2.....	072-2344-25	66.00
8	Consult....	L plate B sensor, fold.....	1.....	072-2217-25	9.00
9	Consult....	Bracket, tension, pusher L.....	1.....	090-0756-22	45.00
10	Consult....	Bracket, tension, pusher R	1.....	073-7249-39	32.00
11	Consult....	Frame, power SW	1.....	090-0668-00	25.00
12	Consult....	Bracket, MC	1.....	090-0670-26	16.00
13	152168....	Photo, interrupter, transmitter	1.....	072-2099-048.....	14.00
14	152169....	Photo, interrupter, receiver.....	1.....	072-2100-05	24.00
16	72842....	Switch, rotary (main power)	1.....	072-2230-06	108.00
17	157897....	Power supply, switching	2.....	110-7784-05	227.00
18	157865....	Electromagnetic contactor.....	1.....	069-2403-05	71.00
19	Consult....	Harness, C4, MC coil	1.....	069-6755-38	12.00
21	Consult....	Harness, S2, short circuit M	1.....	069-4568-21	4.00
22	Consult....	Harness, S2, short circuit MC.....	1.....	069-4567-28	4.00
23	157866....	Switch, safety (printer door)	1.....	111-8428-00	77.00
24	104239....	Photo interrupter, transmitter	3.....	070-5204-14	9.00
26	Consult....	Frame, applicator base, rear.....	1.....	090-0671-20	69.00
28	116274....	Electromagnetic, coil surge.....	1.....	072-2108-04	30.00
29	Consult....	Harness, C14, PS DC.....	1.....	072-2266-46	69.00
30	Consult....	Harness, C14, signal	1.....	098-8345-04	72.00
31	157895....	Relay, solid state.....	1.....	073-7118-07	30.00
35	Consult....	Accessory fastener, edge saddle	2.....	064-0360-05	2.00
37	Consult....	Accessory, clamp, LWS clamp.....	17.....	073-7214-01	1.00
38	Consult....	Accessory, clamp, LWS clamp.....	6.....	073-7212-04	1.00
39	Consult....	Accessory, clamp, LWS clamp.....	1.....	073-7213-08	1.00

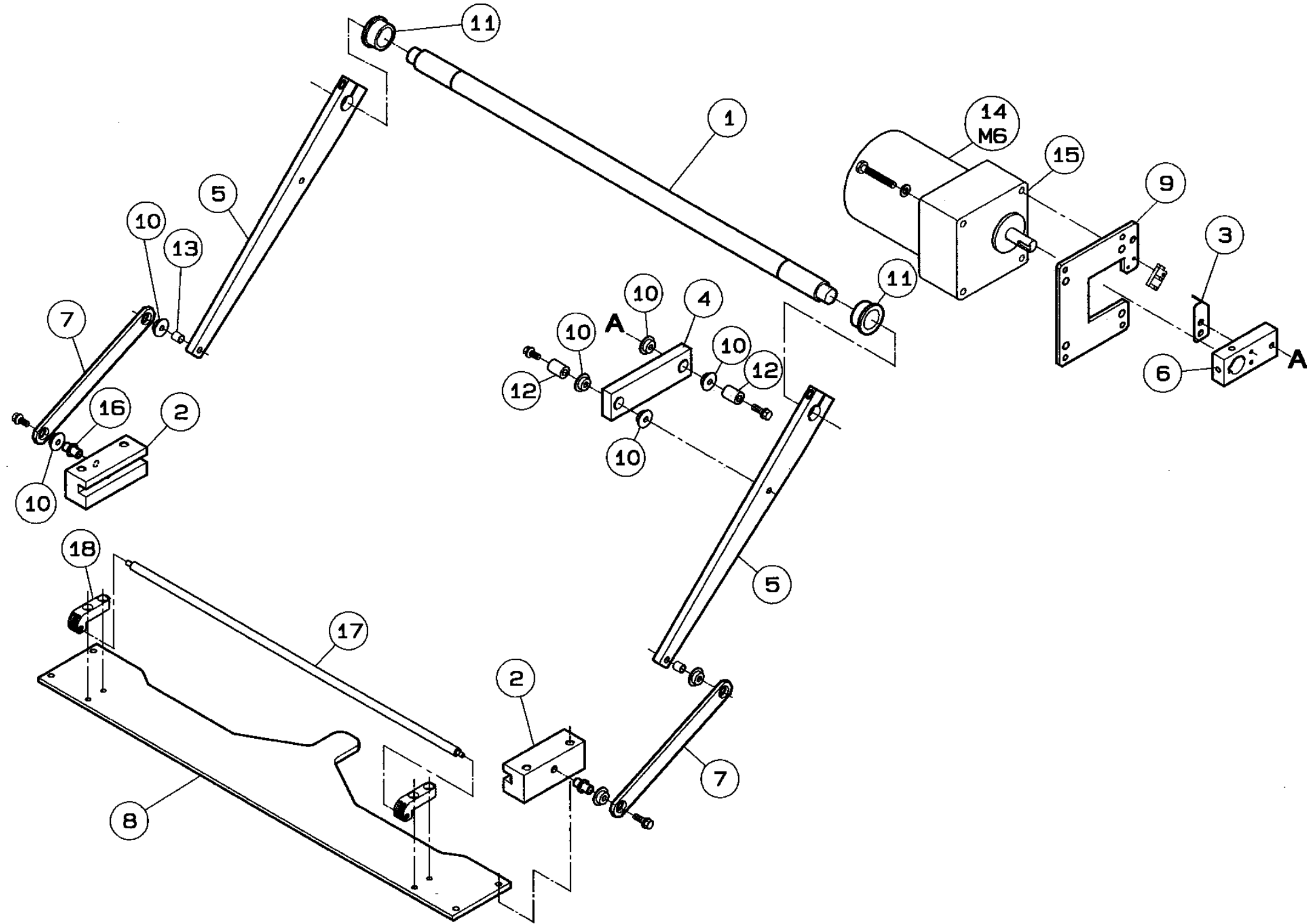
WM-4000

Wrapping Front/Rear Unit



(Wrapping Front/Rear Unit)

REF #	PART #	DESCRIPTION	QTY	SYNONYM	PRICE
1		Consult.... Shaft, drive, R stop.....	1	069-2340-13.....	\$52.00
2	108171....	Block B, slide, fold.....	2	076-3392-09.....	9.00
3		Consult.... Detect plate R fold.....	1	070-5343-19.....	4.00
4		Consult.... Block A, link fold.....	1	069-2355-00.....	12.00
5		Consult.... Arm R stop.....	2	069-2356-40.....	55.00
6		Consult.... Block B, link, drive.....	1	090-0949-06.....	11.00
7		Consult.... Plate B, link, fold.....	2	090-0995-08.....	7.00
8	157951....	Plate B, R fold.....	1	098-3272-17.....	196.00
9		Consult.... Plate B, motor, R fold.....	1	070-5341-02.....	22.00
10	89101.....	Bush.....	8	002-5807-01.....	5.25
11	157949....	Bush.....	2	042-4847-31.....	33.00
12	83314.....	Collar.....	2	042-4848-16.....	6.00
13		Consult.... Collar.....	2	002-7306-00.....	5.00
14		Consult.... Motor, DC brushless.....	1	101-1710-06.....	191.00
15		Consult.... Gear head.....	1	070-5253-08.....	148.00
16	108172....	Pin, step, fold.....	2	073-7117-03.....	9.00
17	157898....	Shaft, step, R fold.....	1	098-3136-13.....	32.00
18	157950....	Holder, shaft.....	2	098-3131-06.....	4.00
19	104239....	Photo interrupter, transmitter (home position).....		070-5204-14.....	9.00



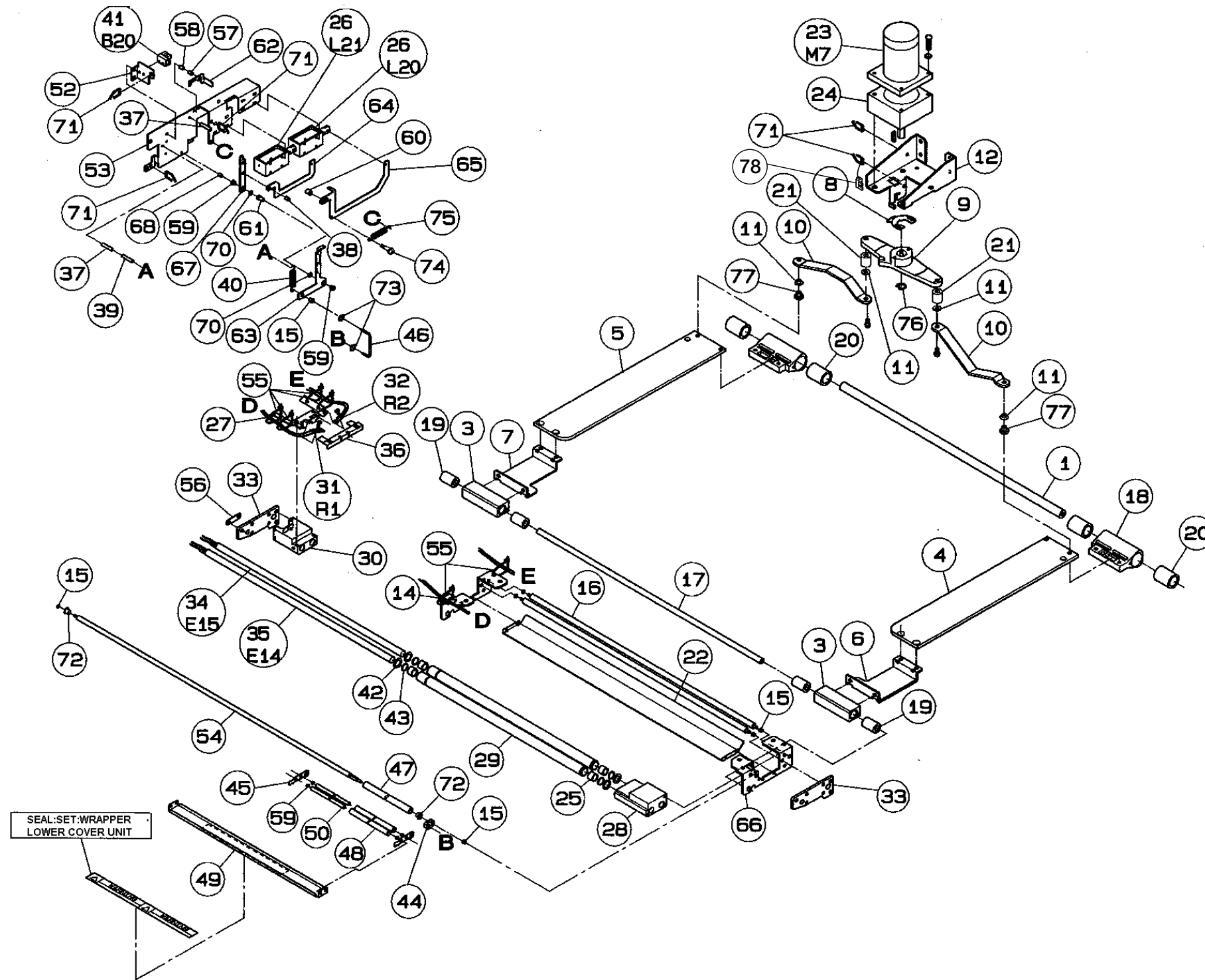
WM-4000

Wrapping Left/Right Unit



(Wrapping Left/Right Unit)

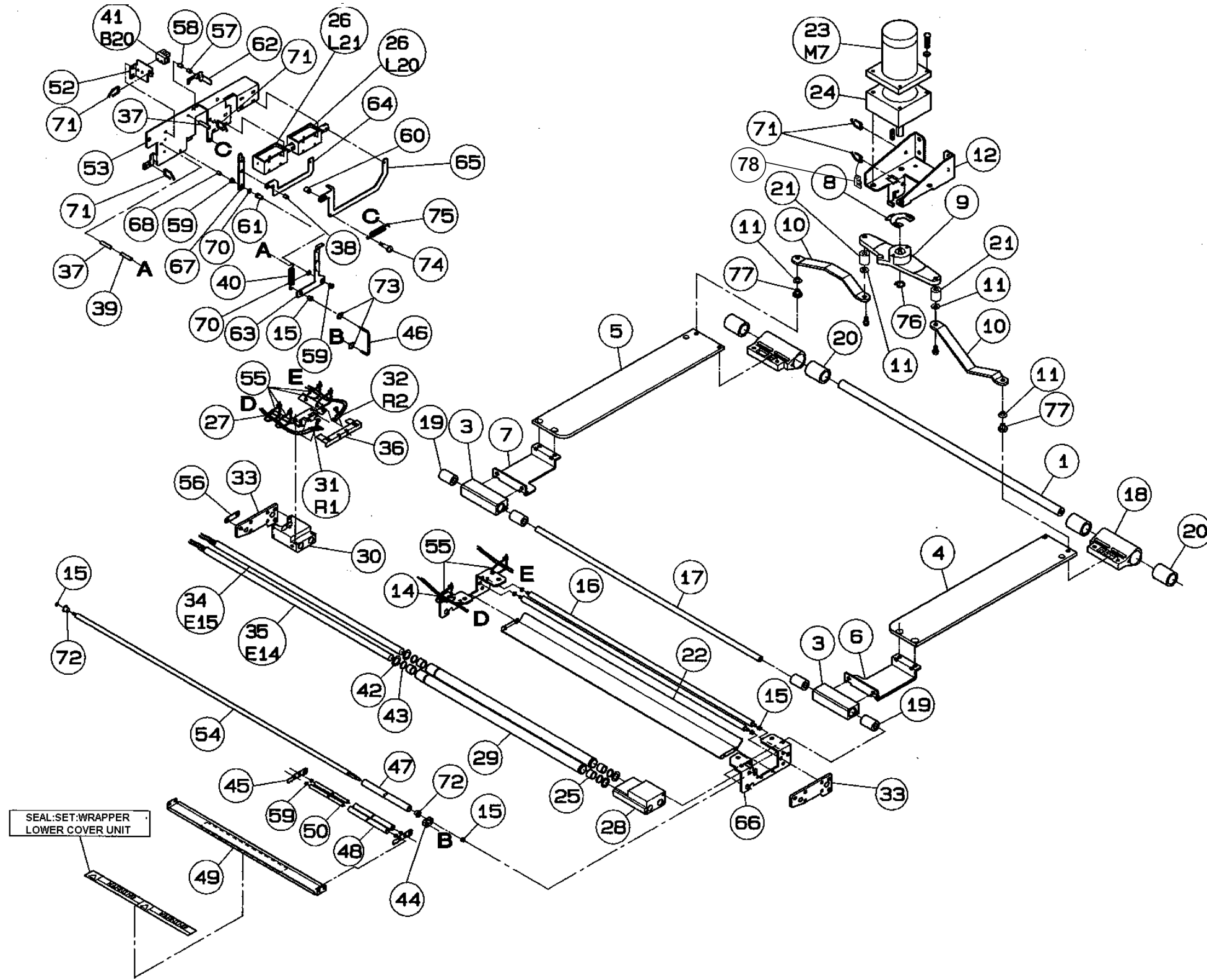
REF #	PART #	DESCRIPTION	QTY	SYNONYM	PRICE
1		Consult.... Shaft, linear	1	069-2341-08	\$72.00
3		Consult.... Housing, F, S	2	076-1759-04	18.00
4		Consult.... Plate B, s-fold.....	1	091-0718-19	107.00
5		Consult.... Plate B, s-fold.....	1	091-0719-12	107.00
6		Consult.... Bracket, joint, s-fold	1	098-3143-01	52.00
7		Consult.... Bracket, joint, s-fold	1	098-3144-04	52.00
8		Consult.... Detect plate s-fold	1	076-9982-08	7.00
9		Consult.... Holder, link, s-fold.....	1	079-1251-20	24.00
10		Consult.... Arm, link, s-fold	2	076-9834-00	8.00
11		Consult.... Bush.....	4	030-2989-08	2.00
12		Consult.... Bracket, motor, s-fold.....	1	076-9984-05	52.00
14		Consult.... Frame, heater	1	070-1142-59	15.00
15	153628	Bush.....	8	028-1523-01	2.00
16	132034	Shaft step type	2	072-2148-03	32.00
17		Consult.... Shaft, linear	1	072-2149-07	65.00
18		Consult.... Housing, linear.....	2	073-7222-01	21.00
19	157899	Bearing, linear bush.....	4	068-5132-00	18.00
20	157900	Bearing, linear bush.....	4	069-4929-04	23.00
21		Consult.... Collar.....	2	076-9981-13	4.00
22		Consult.... Bracket, heater.....	1	091-0579-09	32.00
23		Consult.... Motor assy, DC brushless.....	1	101-1563-05	202.00
24		Consult.... Gear head	1	055-9083-04	145.00
25	153654	Bush (included with #29)	4	070-5375-09	6.00
26	125701	Solenoid assy, clamp.....	2	073-7078-01	27.00
27		Consult.... Bracket, thermistor.....	1	070-5234-71	12.00
28		Consult.... Block B, heater, R.....	1	076-1830-06	19.00
29	153655	Roller assy, rotation, heater (includes #25)	2	112-6814-04	99.00
30		Consult.... Block B, heater, L.....	1	076-1829-11	24.00
31	153657	Thermistor assy heater front	1	072-2291-03	24.00
32	157920	Thermistor assy heater front rear	1	072-2292-07	24.00
33		Consult.... Plate B, heater.....	2	076-1962-13	4.00
34	160473	Heater rear (seal bar element)	1	072-2147-37	164.00
--	168478	Thermal fuse (TCO).....	1	Consult
35	160474	Heater front (seal bar element).....	1	072-2146-33	164.00
--	168478	Thermal fuse (TCO).....	1	Consult
36		Consult.... Cover, thermistor	1	072-2439-25	10.00
37		Consult.... Collar spacer	2	000-9538-00	1.00
38		Consult.... Collar spacer	1	002-5717-00	1.00
39		Consult.... Collar spacer	1	005-4424-07	1.00
40		Consult.... Spring, coil, tension	1	028-4951-03	12.00
41	104239	Photo interrupter, transmitter	1	070-5204-14	9.00
42	153653	Washer, thrust	4	073-7143-10	6.00
43	153656	O-ring.....	4	015-8919-07	2.00
44		Consult.... Block B, link	1	076-1833-07	5.00
45		Consult.... Plate B, discharge side.....	2	076-1950-00	2.00
46		Consult.... Pin, link.....	1	073-7144-31	38.00
47		Consult.... Roller, discharge	1	073-7146-20	32.00
48		Consult.... Roller, discharge	2	073-7147-14	31.00
49		Consult.... Cover, roller, lower	1	073-7148-27	38.00
50		Consult.... Shaft, discharge, fulcrum.....	2	072-2437-00	17.00
52		Consult.... L plate B, sensor, heater	1	073-7152-22	7.00
53		Consult.... Bracket, solenoid.....	1	079-8933-03	45.00





(Wrapping Left/Right Unit)

REF #	PART #	DESCRIPTION	QTY	SYNONYM	PRICE
54	Consult....	Shaft, discharge, fulcrum.....	1.....	073-7149-02.....	\$69.00
55	Consult....	Accessory, band, tie.....	6.....	059-8213-07.....	4.00
56	Consult....	Plate A ground.....	1.....	072-2438-12.....	4.00
57	Consult....	Collar spacer.....	1.....	034-2339-06.....	1.00
58	Consult....	Collar spacer.....	1.....	005-2408-00.....	1.00
59	78083.....	Bush.....	6.....	037-4818-02.....	3.00
60	Consult....	Spacer, solenoid.....	1.....	073-7471-02.....	7.00
61	Consult....	Spacer, link.....	1.....	073-7472-24.....	8.00
62	Consult....	L plate B, lock, arm.....	1.....	073-7473-46.....	10.00
63	Consult....	Link, pin.....	1.....	073-7475-25.....	8.00
64	Consult....	Link, solenoid.....	1.....	073-7476-01.....	12.00
65	Consult....	Link, solenoid.....	1.....	073-7477-13.....	23.00
66	Consult....	Frame, heater, fold.....	1.....	073-7479-20.....	12.00
67	Consult....	Link, solenoid.....	1.....	073-7481-00.....	5.00
68	Consult....	Collar, fulcrum.....	1.....	073-7500-25.....	5.00
70	Consult....	Plain washer.....	2.....	000-0146-01.....	1.00
71	Consult....	Accessory, clamp, LWS clamp.....	5.....	073-7212-04.....	1.00
72	Consult....	Bush.....	2.....	076-1844-08.....	2.00
73	Consult....	Grip ring.....	2.....	014-8692-05.....	1.00
74	Consult....	Step screw, round, 4 x 12.5 M3X4.....	1.....	000-6171-24.....	3.00
75	Consult....	Spring, coil, tension.....	1.....	016-3614-01.....	1.00
76	Consult....	C-ring, for hole.....	1.....	090-0841-08.....	1.00
77	Consult....	Collar.....	2.....	098-3146-01.....	5.00
78	104239....	Photo interrupter, transmitter (home position)....	1.....	070-5204-14.....	9.00



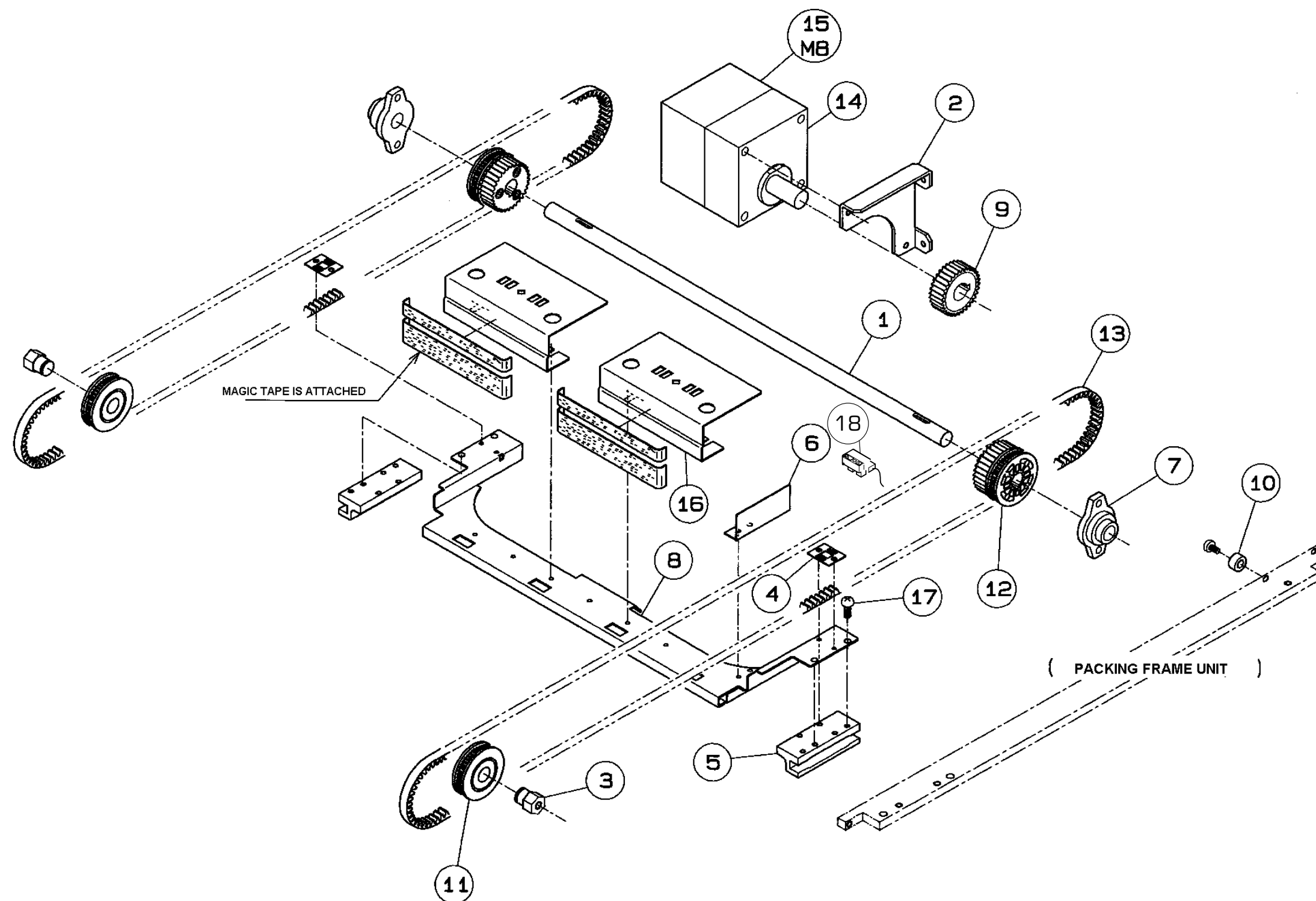
WM-4000

Discharge Push Unit



(Discharge Push Unit)

REF #	PART #	DESCRIPTION	QTY	SYNONYM	PRICE
1		Consult.... Shaft, drive, pusher	1	069-2339-28	\$72.00
2		Consult.... Bracket, motor, pusher BR	1	070-5318-15	38.00
3		Consult.... Shaft, step, pusher	2	069-2344-27	11.00
4		Consult.... Plate B, belt, pusher	2	090-0996-01	2.00
5		Consult.... Block B, slide, pusher	2	076-3393-11	12.00
6		Consult.... L plate B, sensor plate, pusher	1	072-2215-00	7.00
7		Consult.... Bearing unit, flange	2	070-1132-06	23.00
8		Consult.... Pusher, packing	1	072-2495-33	82.00
9	161702	Gear, flat	1	045-3876-00	19.00
10		Consult.... Collar, stopper	4	090-0963-09	2.00
11		Consult.... Timing pulley, S5M, AF	2	046-2326-11	20.00
12		Consult.... Pulley assy, wrapping	2	048-3920-02	35.00
13	72876	Timing belt, S5M	2	045-4372-03	36.00
14		Consult.... Gear head	1	056-2722-02	190.00
15		Consult.... Motor, DC brushless with brake	1	073-7451-08	289.00
16		Consult.... Bracket, pusher	2	073-7272-26	27.00
17		Consult.... Tapping screw, pan head	4	076-9624-04	1.00
—	106949	Black grip tape, magic tape	1		5.00
18	104239	Photo interrupter, transmitter (home position)		070-5204-14	9.00



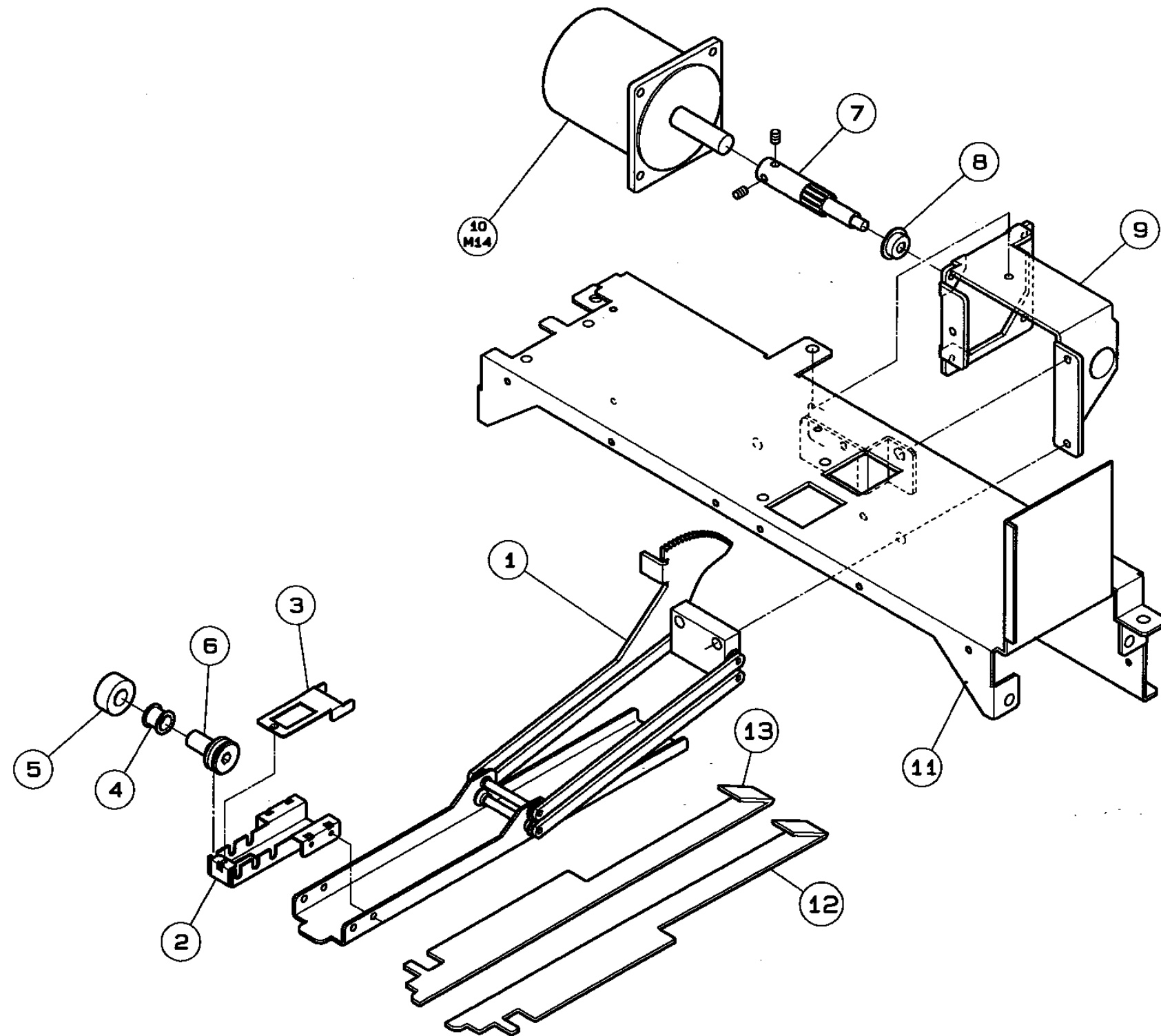
WM-4000

Tray Press Unit



(Tray Press Unit)

REF #	PART #	DESCRIPTION	QTY	SYNONYM	PRICE
1	161723....	Link assy, tray press	1.....	072-2471-16.....	\$153.00
2	Consult....	Bracket, roller, tray press	1.....	090-0969-01.....	8.00
3	Consult....	U plate B, press roller	1.....	090-0997-05.....	4.00
4	Consult....	Roller, tray press	5.....	090-0964-02.....	2.00
5	Consult....	Roller, tray press	5.....	072-2154-15.....	6.00
6	Consult....	Pin, roller, tray press	5.....	090-0968-07.....	5.00
7	161701....	Gear, tray press	1.....	073-7245-07.....	58.00
8	Consult....	Bearing, radial, flange	1.....	006-8475-09.....	11.00
9	Consult....	Bracket, drive, tray press	2.....	079-3176-21.....	13.00
10	Consult....	Motor assy tray press	1.....	090-0788-03.....	187.00
11	Consult....	Frame, tray press.....	1.....	079-3494-34.....	101.00
12	Consult....	Sheet, tray press	1.....	093-5079-06.....	29.00
13	Consult....	Sheet, tray press	1.....	093-5080-01.....	29.00



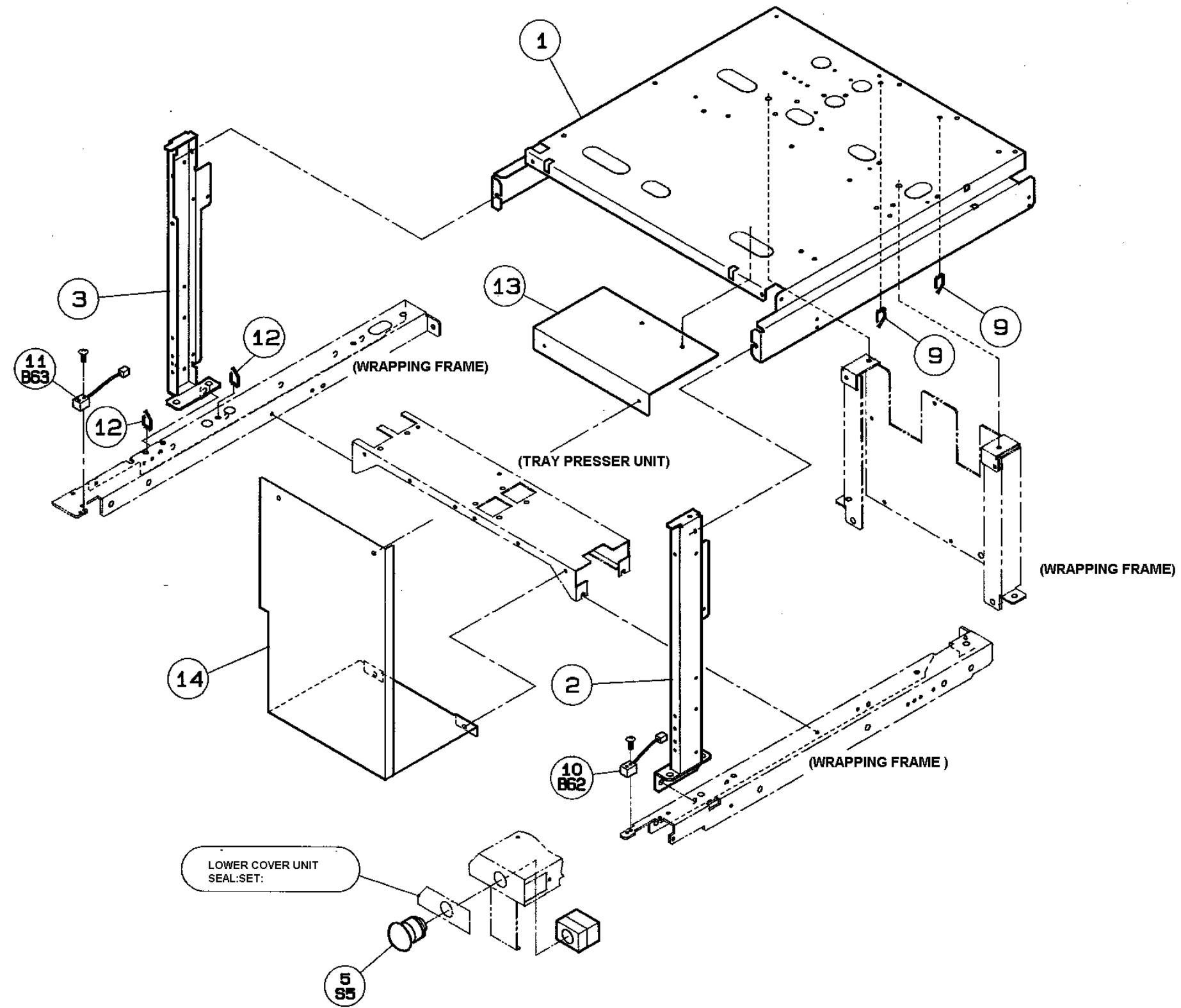
WM-4000

Printer Frame Unit



(Printer Frame Unit)

REF #	PART #	DESCRIPTION	QTY	SYNONYM	PRICE
1	Consult....	Base, printer, top plate	1077-4992-50.....	\$158.00
2	Consult....	Frame, applicator base, R.....	1078-0757-53.....	65.00
3	Consult....	Frame, applicator base, L.....	1078-0758-66.....	65.00
5	72899.....	Switch, push, emergency stop	1064-9296-02.....	65.00
9	Consult....	Accessory, clamp, LWS clam.....	3073-7214-01.....	1.00
10	152168....	Photo, interrupter, transmitter	1072-2099-04.....	14.00
11	152169....	Photo, interrupter, receive.....	1072-2100-05.....	24.00
12	Consult....	Accessory, clamp, LWS clam.....	2073-7212-04.....	1.00
13	Consult....	L plate, cover.....	1106-6655-09.....	65.00
14	Consult....	Cover, printer, side.....	1106-6656-02.....	183.00

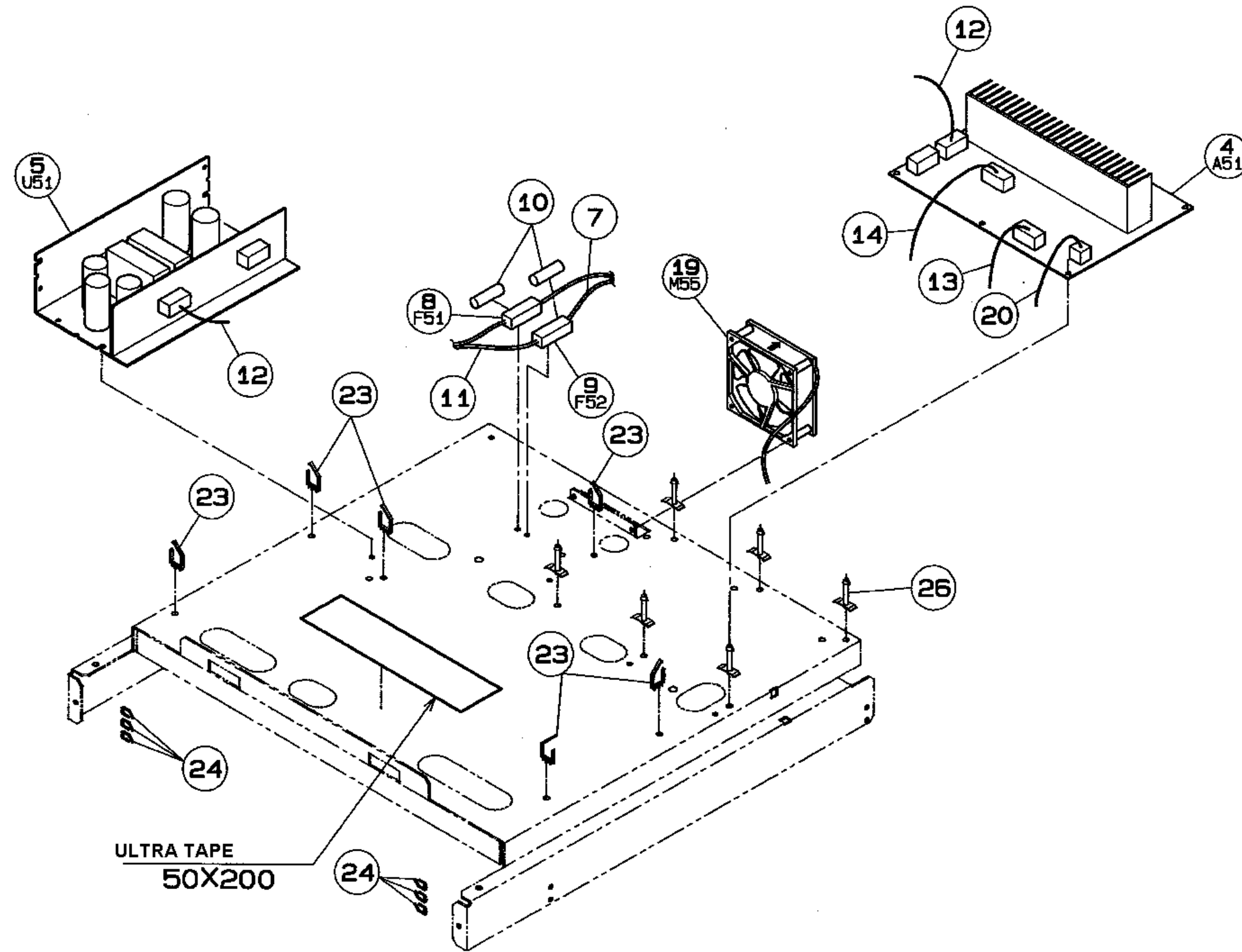


WM-4000
Applicator Unit, Fixed



(Applicator Unit, Fixed)

REF #	PART #	DESCRIPTION	QTY	SYNONYM	PRICE
4	104230	PWB, P-916, C, applicator controller	1	093-1702-27	\$492.00
5	157897	Power supply, switching	1	110-7784-05	227.00
7	Consult	Harness, S4, PS AC	1	069-6543-35	11.00
8	72857	Fuse holder, terminal type	1	000-4119-04	9.00
9	72856	Fuse holder, terminal type	1	040-2724-07	9.00
10	99133	Fuse, glass tube	2	017-5713-01	2.00
11	Consult	Harness, C3, PS fuse	1	072-8555-26	8.00
12	Consult	Harness, S2, motor power	1	090-5392-01	10.00
13	Consult	Harness, C3, console if	1	072-8552-25	11.00
14	Consult	Harness, C5, EXT signal	1	090-5393-13	28.00
19	Consult	Fan assy	1	090-5391-07	65.00
20	Consult	Harness, C2, ground	1	072-2104-28	2.00
23	Consult	Accessory, clamp, LWS clamp	7	073-7214-01	1.00
24	Consult	Accessory, clamp, LWS clamp	6	073-7212-04	1.00
26	47027	PWB accessory, card spacer	6	000-1796-05	1.00



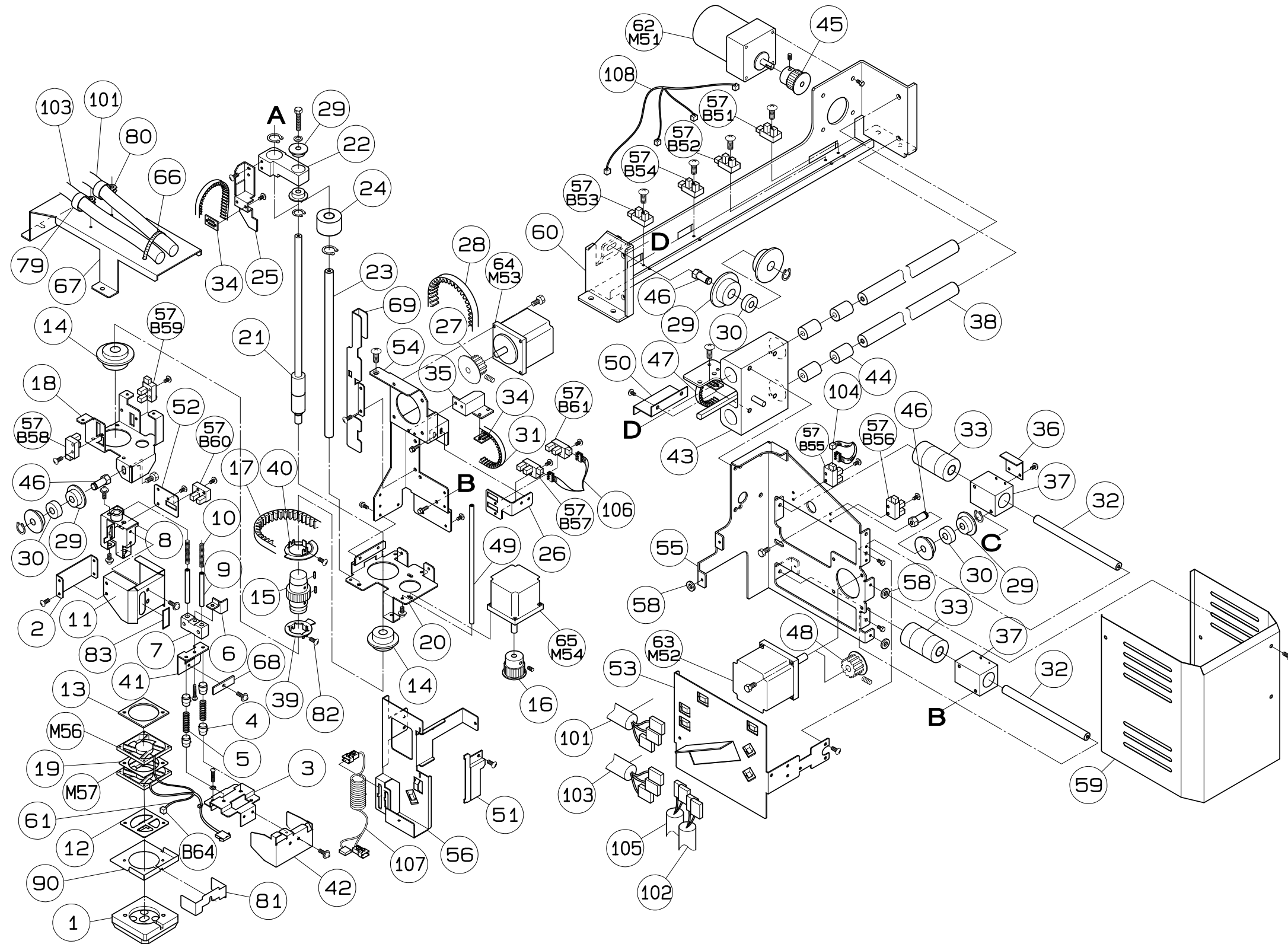
WM-4000

Applicator Unit, Moving



(Applicator Unit, Moving)

REF #	PART #	DESCRIPTION	QTY	SYNONYM	PRICE
1	103224	Cushion, applicator	1	103-3787-13	\$25.00
2	Consult	Cover, arm, harness	1	078-0763-29	6.00
3	Consult	Bracket, fan	1	103-3872-17	79.00
4	Consult	Shaft, joint	4	078-0786-15	4.00
5	Consult	Spring, coil, compressive	2	068-5127-10	4.00
6	Consult	Masking plate, Z, lower	1	078-0638-17	6.00
7	Consult	Block B, slide, applicator	1	077-4983-29	4.00
8	Consult	Bracket arm	1	078-0787-46	69.00
9	Consult	Threaded rod, round, FF	2	078-0639-11	7.00
10	Consult	Spring, coil, compressive	2	075-1084-07	4.00
11	Consult	Cover, applicator, Z	1	095-4278-01	25.00
12	116275	Bracket, sensor	1	078-0753-12	25.00
13	103223	Sheet	1	066-1916-03	5.00
14	Consult	Bearing radial, deep groove	2	057-0387-08	29.00
15	Consult	Timing pulley, XL	1	059-8296-42	28.00
16	Consult	Timing pulley, XL	1	059-8460-10	18.00
17	157889	Timing belt, XL, rotation, white	1	078-0759-05	7.00
18	Consult	Bracket rotation, lower	1	077-4777-19	41.00
19	116276	Spacer, fan	1	078-0635-16	1.00
20	Consult	Bracket, rotation, upper	1	077-4778-21	24.00
21	Consult	Bearing unit, linear, rolling	1	072-5427-21	311.00
22	Consult	Block B, holder, Z	1	077-4982-07	11.00
23	Consult	Shaft, slide	1	075-1082-00	27.00
24	48206	Bearing, linear bush, 121-5347-00	1	028-1516-05	29.00
25	Consult	Holder, belt	1	077-4780-39	8.00
26	Consult	L plate B, sensor, Z	1	078-0631-11	7.00
27	45229	Timing pulley, XL, AF	1	041-1527-03	11.50
28	117784	Timing belt, XL, up/down, white	1	030-8488-01	11.00
29	Consult	Bearing, radial, deep groove	8	094-2650-00	4.00
30	Consult	Bearing, radial	3	000-3622-08	13.00
31	157890	Timing belt, XL, front/back, white	1	021-3286-05	12.00
32	Consult	Shaft, slide	2	077-4775-30	22.00
33	Consult	Bearing, linear bush	2	069-4928-01	35.00
34	Consult	Holder, belt	3	068-5090-25	2.00
35	Consult	Holder, belt Y	1	078-0756-13	9.00
36	Consult	L plate A, detect plate, Y	1	077-4779-16	6.00
37	Consult	Housing, linear, Y	2	077-4981-03	38.00
38	Consult	Shaft, linear	2	077-4773-14	41.00
39	Consult	Detect plate, rotation, lower	1	078-0632-15	4.00
40	Consult	Detect plate, rotation, upper	1	078-0633-19	4.00
41	Consult	L plate B, stopper	1	078-0764-22	6.00
42	Consult	Cover, applicator, Z	1	103-3871-13	101.00
43	Consult	Housing, linear, X	1	077-4984-04	31.00
44	157900	Bearing, linear bush	4	069-4929-04	23.00
45	Consult	Timing pulley, XL, BF	1	076-1831-00	21.00
46	Consult	Shaft, bearing	3	078-0629-13	8.00



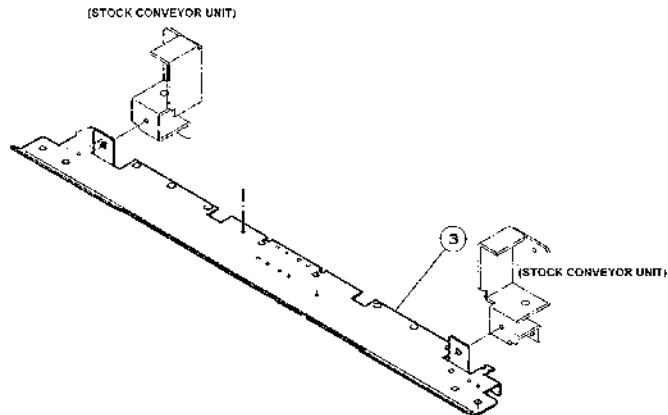
WM-4000

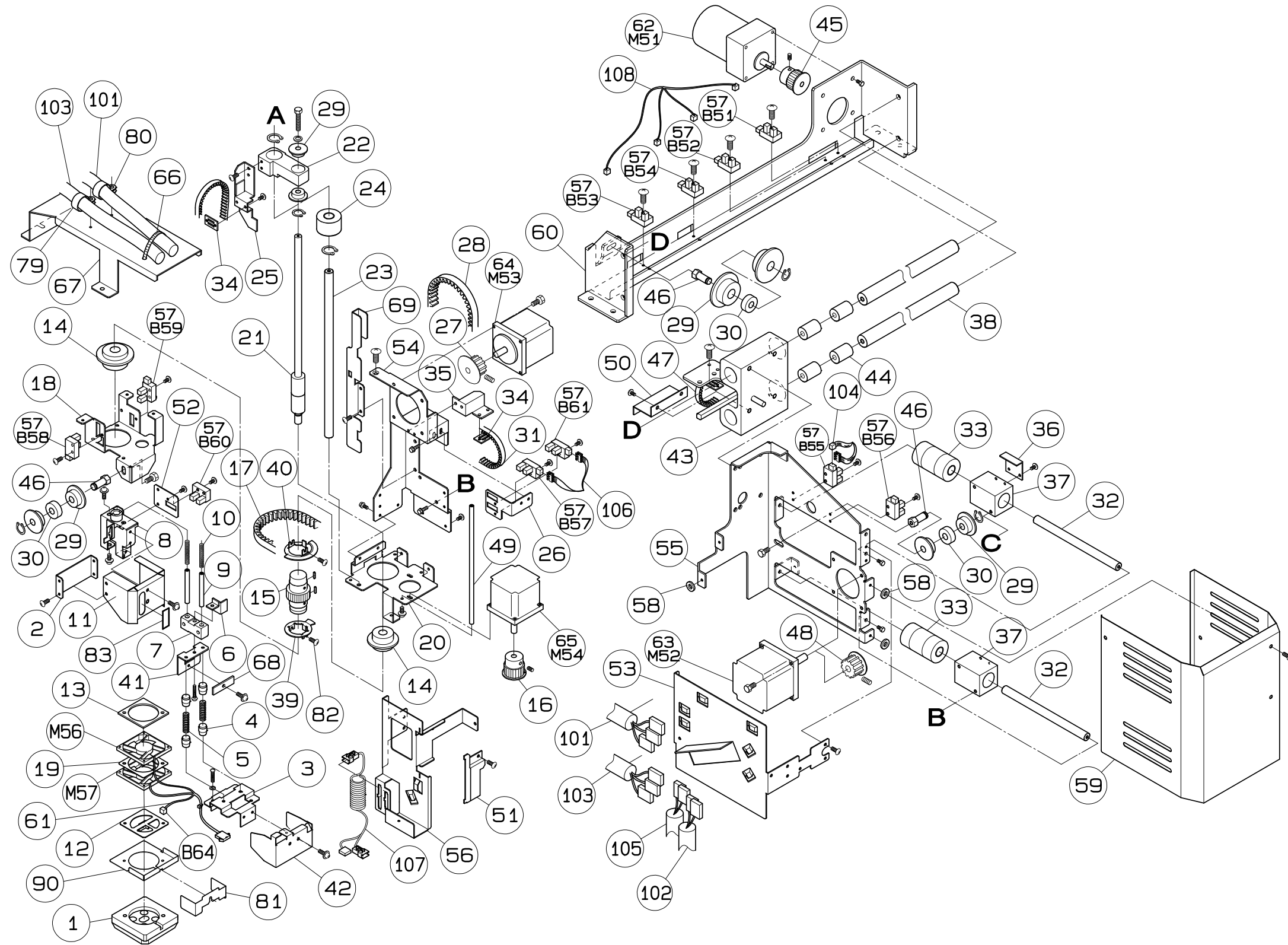
Applicator Unit, Moving



(Applicator Unit, Moving)

REF #	PART #	DESCRIPTION	QTY	SYNONYM	PRICE
47	Consult....	Timing belt XL, right/left, black.....	1078-0765-08.....	\$11.00
48	Consult....	Timing pulley, XL, AF.....	1077-4980-19.....	11.00
49	Consult....	Threaded rod, round, FF.....	1077-4774-09.....	8.00
50	Consult....	Crank plate A, baffle plate.....	1078-0634-12.....	10.00
51	Consult....	Cover, harness.....	1078-0640-15.....	18.00
52	Consult....	Plate B, sensor.....	1078-0630-18.....	5.00
53	Consult....	Cover, harness.....	1078-0641-19.....	25.00
54	Consult....	Bracket, applicator, Y.....	1078-0642-31.....	38.00
55	Consult....	Bracket, applicator, X.....	1078-0809-44.....	62.00
56	Consult....	Cover, harness, Y.....	1078-0643-25.....	33.00
57	104239....	Photo interrupter, transmitter.....	11070-5204-14.....	9.00
58	Consult....	Sheet.....	4075-1075-12.....	4.00
59	Consult....	Cover, applicator.....	1078-0755-56.....	45.00
60	Consult....	Bracket, applicator, X.....	1077-4993-35.....	62.00
61	103221....	Fan assy, suction (includes fans M56, M57 and sensor B64).....	1094-0414-28.....	136.00
62	162098....	Motor assy, stepping, X.....	1079-3002-08.....	191.00
63	162099....	Motor assy, stepping, Y.....	1079-3003-11.....	75.00
64	162100....	Motor assy, stepping, Z.....	1077-0000-14.....	90.00
65	162101....	Motor assy, stepping, rotation.....	1079-3001-04.....	65.00
66	Consult....	Accessory, band, fastener.....	12000-1842-03.....	2.00
67	Consult....	Bracket, wiring, applicator.....	1077-4776-06.....	18.00
68	Consult....	Insulator.....	1075-1077-01.....	4.00
69	Consult....	Cover, harness.....	1078-0808-41.....	12.00
79	Consult....	Accessory, clamp, nylon clamp.....	1022-7032-08.....	1.00
80	Consult....	Accessory, clamp, nylon clamp.....	1034-0238-06.....	1.00
81	157901....	Tape, sponge side.....	1091-2126-02.....	11.00
82	Consult....	Screw, plus bind, P3.....	4091-2374-00.....	1.00
83	Consult....	Tape, magic.....	1095-4440-09.....	5.00
90	Consult....	Bracket, fan.....	1103-3870-10.....	65.00
101	Consult....	Harness, C6, motor work X.....	1079-3007-24.....	90.00
102	Consult....	Harness, C4, motor work Y.....	1079-3008-28.....	74.00
103	Consult....	Harness, C8, sensor work X.....	1079-3009-21.....	82.00
104	Consult....	Harness, C3, sensor Y.....	1079-3006-11.....	10.00
105	157902....	Harness, C4, sensor work Y.....	1079-3010-26.....	72.00
106	157903....	Harness, C5, sensor Z rotation.....	1079-3004-32.....	16.00
107	114160....	Harness, C3, sensor work Z.....	1079-1443-28.....	98.00
108	Consult....	Harness, C6, sensor X.....	1079-3005-18.....	21.00
Lighting Unit					
3	Consult....	Bracket, light.....	1113-7404-01.....	88.00





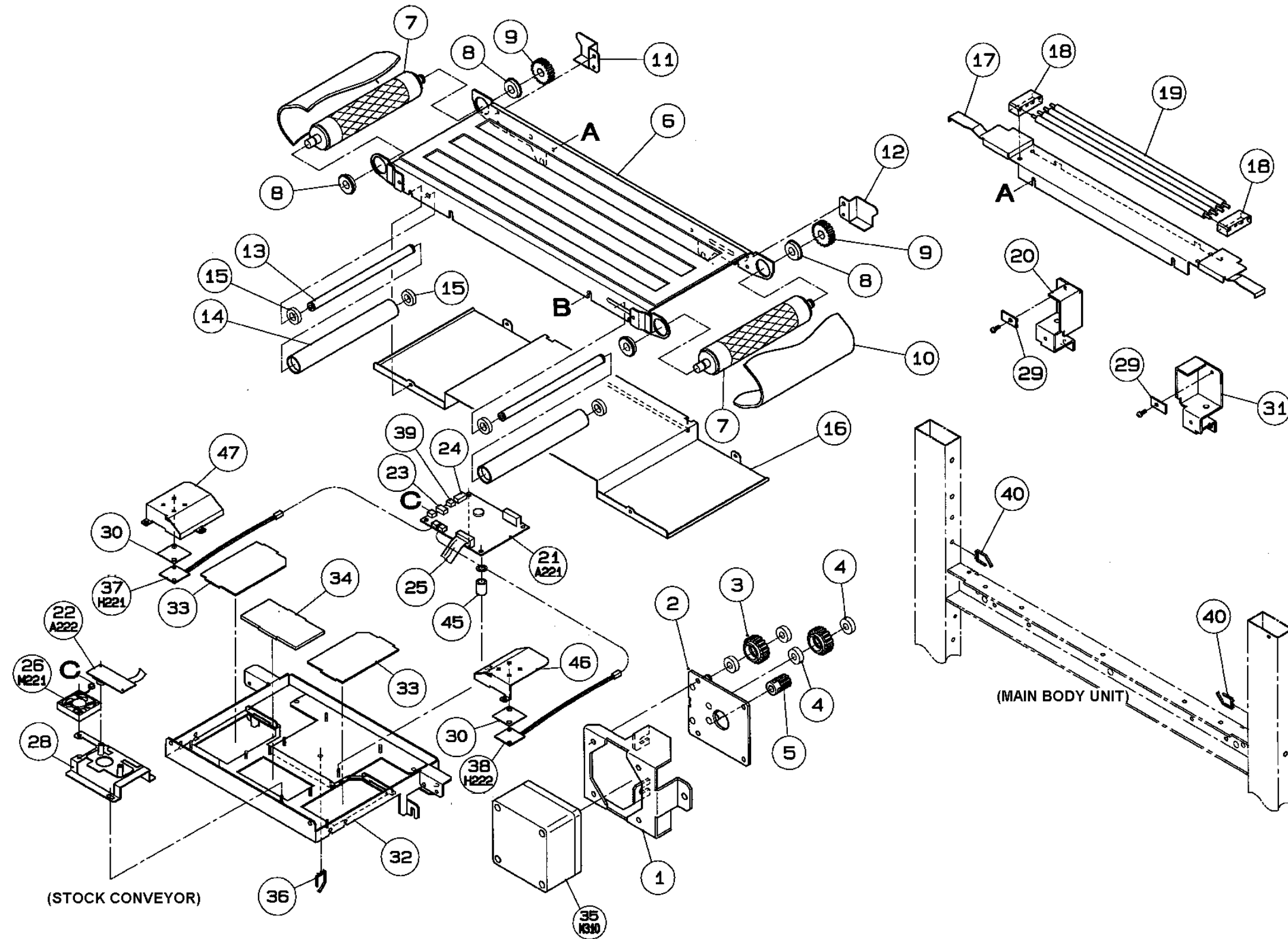
WM-4000

Discharge Conveyor Unit



(Discharge Conveyor Unit)

REF #	PART #	DESCRIPTION	QTY	SYNONYM	PRICE
1	Consult....	Bracket, motor	1.....	076-1717-35.....	\$45.00
2	Consult....	Base, gear.....	1.....	076-1716-31.....	90.00
3	Consult....	Gear, flat.....	2.....	076-1715-29.....	38.00
4	Consult....	Bearing, radial	4.....	001-2465-03.....	7.00
5	Consult....	Gear, flat.....	1.....	076-1718-01.....	33.00
6	Consult....	Frame, conveyor, upper.....	1.....	076-1977-55.....	277.00
7	Consult....	Roller, drive.....	2.....	076-1742-39.....	126.00
8	160748....	Bearing, radial, deep groove.....	4.....	094-2649-05.....	6.00
9	Consult....	Gear, flat.....	2.....	076-1713-31.....	38.00
10	Consult....	Flat belt finger joint	1.....	076-1710-21.....	418.00
11	Consult....	Cover, gear.....	1.....	076-1998-26.....	16.00
12	Consult....	Cover, gear.....	1.....	076-1999-20.....	16.00
13	Consult....	Shaft, pulley tension	2.....	076-1714-16.....	13.00
14	Consult....	Roller, tension.....	2.....	103-3674-16.....	77.00
15	52622....	Bearing, radial, deep groove.....	4.....	003-6982-01.....	29.00
16	Consult....	Cover, PWB, camera	1.....	076-1973-32.....	82.00
17	Consult....	Cover, conveyor, rear.....	1.....	076-1971-44.....	72.00
18	Consult....	Bracket, roller.....	2.....	076-1972-20.....	58.00
19	Consult....	Shaft, step, camera	4.....	070-1225-18.....	19.00
20	Consult....	Supporter, cover, discharge.....	1.....	090-0773-17.....	32.00
21	157904....	PWB, P-1007A, camera controller.....	1.....	111-8352-38.....	325.00
22	157918....	Camera, CMOS, color	1.....	086-7298-14.....	300.00
23	Consult....	Harness, S2, 24V	1.....	112-6690-00.....	14.00
24	Consult....	Harness, C2, RS485	1.....	113-7329-05.....	10.00
25	Consult....	Harness, S2, FPC.....	1.....	086-7314-01.....	3.00
26	Consult....	Fan assy.....	1.....	111-8421-04.....	55.00
28	Consult....	Bracket, camera.....	1.....	113-7213-07.....	96.00
29	Consult....	Plate A, interference	2.....	076-1711-06.....	4.00
30	Consult....	Sheet, thermo.....	2.....	086-7211-11.....	2.00
31	Consult....	Supporter, cover, discharge.....	1.....	090-0772-13.....	32.00
32	Consult....	Frame, conveyor, lower.....	1.....	113-7212-03.....	209.00
33	164484....	Plate B, filter, LED.....	2.....	113-7208-08.....	27.00
34	164487....	Plate B, filter, camera.....	1.....	113-7207-04.....	35.00
35	Consult....	Motor, DC brushless.....	1.....	076-9513-04.....	202.00
36	Consult....	Accessory, clamp, LWS clamp.....	1.....	073-7215-05.....	1.00
37	Consult....	LED assy.....	1.....	111-8350-12.....	72.00
38	Consult....	LED assy.....	1.....	111-8351-16.....	72.00
39	Consult....	Harness, S1, short.....	1.....	112-6680-11.....	6.00
40	Consult....	Accessory, clamp, LWS clamp.....	2.....	073-7214-01.....	1.00
45	Consult....	Collar, spacer	4.....	000-9537-06.....	1.00
46	Consult....	Cover, reflect	1.....	113-7210-06.....	48.00
47	Consult....	Cover, reflect	1.....	113-7211-00.....	48.00



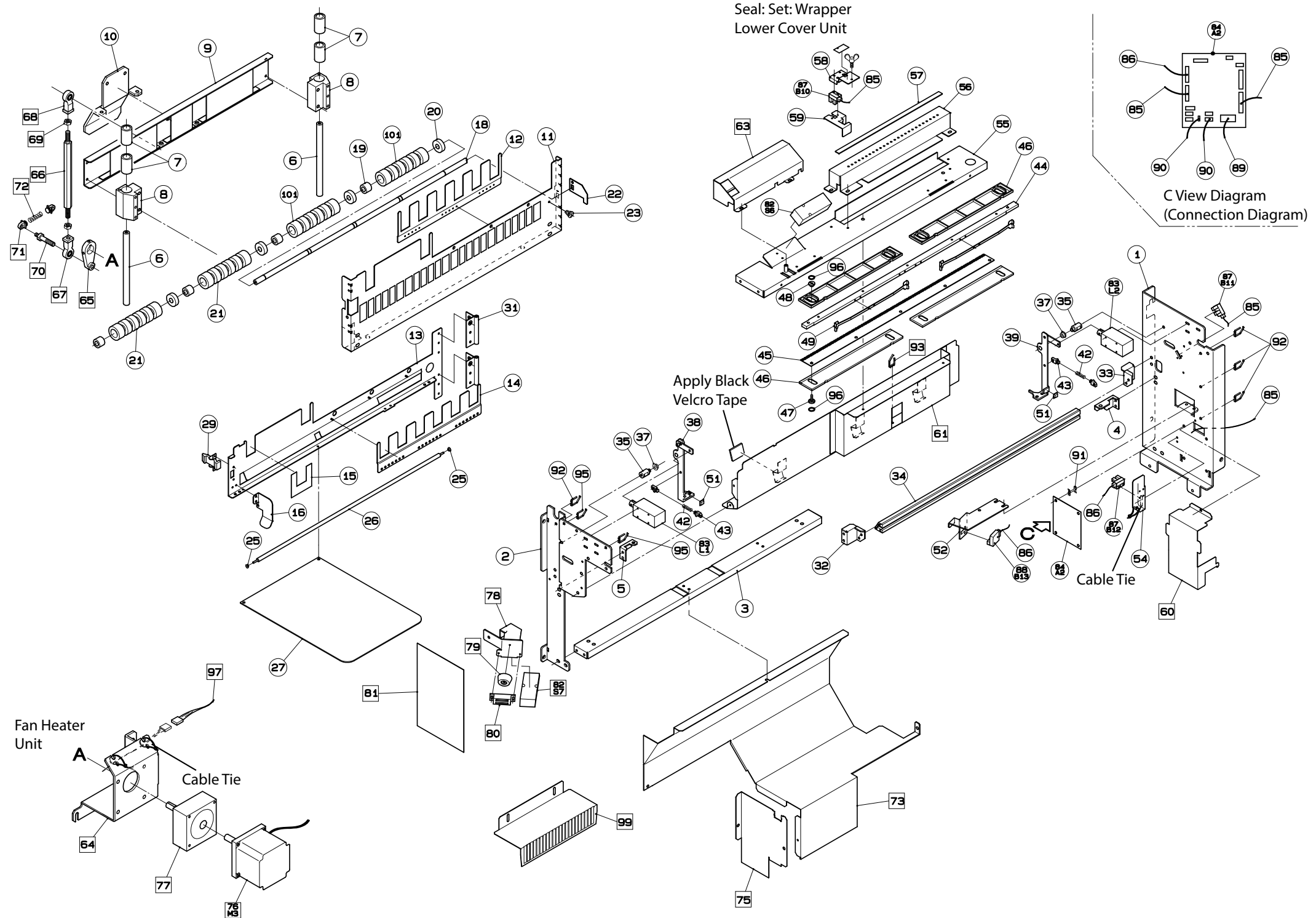
WM-4000

Film Transport Unit, Right



(Film Transport Unit, Right)

REF #	PART #	DESCRIPTION	QTY	SYNONYM	PRICE
1	Consult....	Frame, transfer, rear	1	090-0743-24.....	\$58.00
2	Consult....	Frame, transfer, front	1	090-0740-32.....	79.00
3	Consult....	Bracket, linear shaft, lower.....	1	090-0624-15.....	27.00
4	Consult....	Bracket, linear shaft, rear.....	1	090-0666-02.....	32.00
5	Consult....	Bracket, linear bush, front.....	1	090-0662-08.....	32.00
6	Consult....	Shaft, linear, transfer	2	069-2270-16.....	24.00
7	Consult....	Bearing, linear bush.....	4	070-1070-09.....	18.00
8	Consult....	Housing, bush, slide	2	073-7230-11.....	21.00
9	Consult....	Stay, slide	1	091-0544-27.....	88.00
10	Consult....	Adapter, rod	1	069-2289-34.....	20.00
11	Consult....	Holder, film, slide	1	090-0731-11.....	200.00
12	Consult....	Guide, film insertion	1	072-2225-43.....	150.00
13	157885....	Holder, film, door	1	090-0726-58.....	145.00
14	Consult....	Guide, film, inserted door.....	1	072-2224-12.....	74.00
15	Consult....	Name plate, operation	1	106-6693-01.....	30.00
16	Consult....	Guide, film loading.....	1	090-0620-11.....	14.00
18	Consult....	Shaft, clutch roller.....	1	069-2281-35.....	58.00
19	Consult....	Clutch, one way.....	4	014-0221-05.....	19.00
20	84792....	Bearing, radial, deep groove.....	4	051-4933-02.....	12.00
21	157887....	Roller, clutch slider.....	2	073-7467-07.....	13.00
22	Consult....	Detect plate, insertion, top and B	1	091-0501-09.....	2.00
23	Consult....	Spring, coil, compressive.....	1	070-5176-04.....	79.00
25	Consult....	Bush.....	2	063-5128-08.....	2.00
26	Consult....	Roller insertion.....	1	069-2267-14.....	27.00
27	Consult....	Cover, roll	1	090-0622-09.....	7.00
29	157853....	Catch, push latch	1	070-1072-06.....	6.00
31	Consult....	Hinge.....	2	013-7463-08.....	11.00
32	Consult....	Bracket, support.....	1	090-0999-11.....	7.00
33	Consult....	Bracket, support.....	1	090-1000-15.....	7.00
34	Consult....	Support assy cutter	1	090-0780-13.....	210.00
35	Consult....	Pin, fulcrum, cutter	2	072-2385-19.....	9.00
37	78083....	Bush.....	2	037-4818-02.....	3.00
38	Consult....	Lever assy, cutter, front.....	1	090-0508-07.....	34.00
39	Consult....	Lever assy, cutter rear.....	1	090-0511-09.....	34.00
42	Consult....	Spring, coil, compressive.....	2	076-3329-03.....	2.00
43	74452....	Hanger, spring	4	003-6479-04.....	4.00
44	Consult....	Bracket, cutter.....	1	076-9850-19.....	38.00
45	157905....	Cutter, saw teeth	1	076-9952-15.....	172.00
46	Consult....	Block B, cutter, hold	4	076-9824-21.....	4.00
47	Consult....	Pin assy, cutter, hold.....	4	094-2628-07.....	6.00
48	Consult....	Pin assy, cutter, upper	4	094-2629-01.....	6.00
49	Consult....	Spring, plate, cutter	2	091-0512-28.....	7.00
51	Consult....	Rubber pad	2	052-4630-01.....	1.00
52	Consult....	Bracket, sensor	1	090-0736-37.....	24.00
54	Consult....	Bracket, sensor insertion	1	091-0526-01.....	9.00
55	Consult....	Stay change	1	079-8938-57.....	69.00



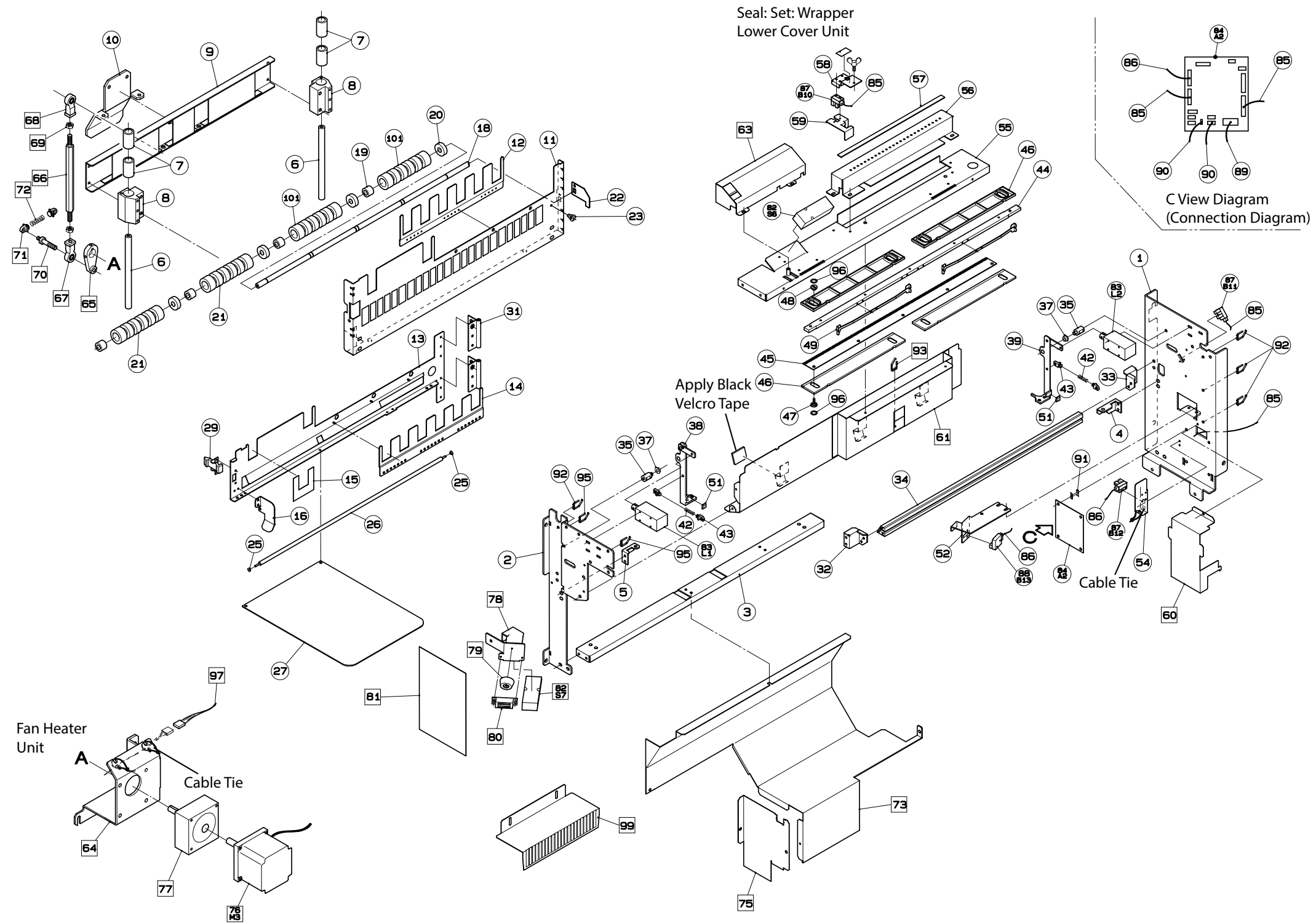
WM-4000

Film Transport Unit, Right



(Film Transport Unit, Right)

REF #	PART #	DESCRIPTION	QTY	SYNONYM	PRICE
56	Consult....	Guide, sensor.....	1	091-0556-03.....	\$35.00
57	Consult....	Name plate, scale film.....	1	073-7112-05.....	6.00
58	Consult....	Bracket sensor.....	1	091-0551-05.....	24.00
59	Consult....	Holder, sensor, insertion.....	1	073-7154-11.....	11.00
60	Consult....	Cover, PWB, transport.....	1	090-0733-27.....	19.00
61	Consult....	Cover, loading.....	1	090-0750-02.....	85.00
63	Consult....	Cover, film transport upper.....	1	091-2103-16.....	23.00
64	Consult....	Bracket, motor, insert.....	1	079-8927-29.....	24.00
65	Consult....	Lever, drive, hand-over.....	1	076-1777-01.....	16.00
66	Consult....	Threaded rod, turnbuckle, MM.....	1	069-2284-36.....	22.00
67	Consult....	Rod end, type I, F.....	1	000-3739-00.....	35.00
68	Consult....	Rod end, type I, F.....	1	016-8825-08.....	35.00
69	Consult....	Hex nut, T1, left-handed thread.....	1	000-0111-01.....	2.00
70	Consult....	Pin, hanger, spring.....	1	070-1327-32.....	12.00
71	Consult....	Hanger, spring.....	2	011-5180-11.....	2.00
72	Consult....	Spring, coil, compressive.....	1	070-1328-09.....	4.00
73	Consult....	Cover, roll.....	1	090-0761-40.....	77.00
75	Consult....	Cover, roll, front.....	1	090-0758-11.....	18.00
76	162943....	Motor, DC brushless with brake.....	1	073-7450-04.....	289.00
77	Consult....	Gear head.....	1	055-9082-01.....	216.00
78	Consult....	Bracket switch.....	1	091-0519-14.....	19.00
79	Consult....	Rubber pad.....	1	000-3965-05.....	2.00
80	Consult....	Catch magnet.....	1	006-3205-01.....	7.00
81	Consult....	Name plate, explanation.....	1	106-6696-01.....	28.00
82	157866....	Switch, safety (film removal and side doors).....	2	111-8428-00.....	77.00
83	Consult....	Solenoid assy, cutter.....	2	073-7081-03.....	28.00
84	157894....	PWB, P-922, A-1.....	1	068-9900-35.....	145.00
85	Consult....	Harness, C6, film transfer R.....	1	070-9686-20.....	21.00
86	Consult....	Harness, C3, film insertion R.....	1	090-0785-02.....	9.00
87	104239....	Photo interrupter, transmitter.....	3	070-5204-14.....	9.00
88	157856....	Photo interrupter, transmitter.....	1	070-5205-18.....	11.00
89	Consult....	Harness, C2, ground.....	1	072-2104-28.....	2.00
90	Consult....	Harness, C4, film transfer R.....	1	072-2251-22.....	26.00
91	47027....	PWB accessory, card spacer.....	4	000-1796-05.....	1.00
92	Consult....	Accessory, clamp, LWS clamp.....	4	073-7213-08.....	1.00
93	Consult....	Accessory, clamp, LWS clamp.....	1	073-7214-01.....	1.00
95	Consult....	Accessory, clamp, LWS clamp.....	2	073-7212-04.....	1.00
97	Consult....	Harness, C3, fan heater R.....	1	073-7233-11.....	11.00
99	Consult....	Cover, fan heater.....	1	073-7427-17.....	12.00
101	157886....	Roller, clutch, slider.....	2	098-3477-13.....	28.00



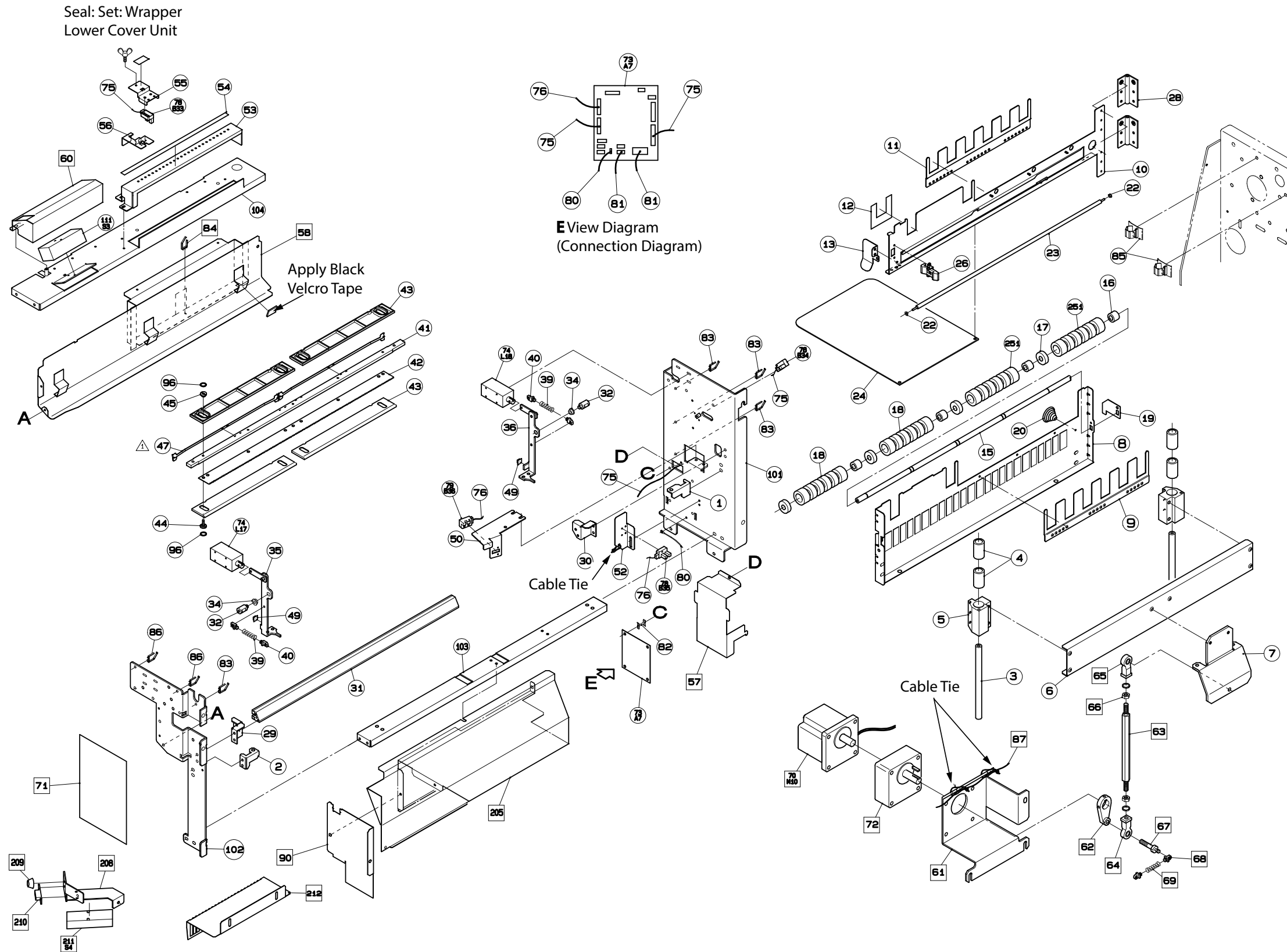
WM-4000

Film Transport Unit, Left



(Film Transport Unit, Left)

REF #	PART #	DESCRIPTION	QTY	SYNONYM	PRICE
1	Consult....	Bracket, linear shaft, rear	1.....	.090-0665-09.....	\$32.00
2	Consult....	Bracket, linear, bush, front	1.....	.090-0663-01.....	32.00
3	Consult....	Shaft, linear, transfer	2.....	.069-2270-16.....	24.00
4	Consult....	Bearing, linear bush	4.....	.070-1070-09.....	18.00
5	Consult....	Housing, bush, slide	2.....	.073-7230-11.....	21.00
6	Consult....	Stay, slide	1.....	.091-0544-27.....	88.00
7	Consult....	Adapter, rod	1.....	.069-2289-34.....	20.00
8	Consult....	Holder, film slide	1.....	.090-0732-14.....	200.00
9	Consult....	Guide, film, insertion	1.....	.072-2225-43.....	150.00
10	Consult....	Holder, film, door	1.....	.090-0727-51.....	145.00
11	Consult....	Guide, film, inserted door.....	1.....	.072-2224-12.....	74.00
12	Consult....	Name plate, operation	1.....	.106-6693-01.....	30.00
13	157852....	Guide, film, loading.....	1.....	.090-0621-14.....	6.00
15	Consult....	Shaft, clutch, roller.....	1.....	.069-2281-35.....	58.00
16	Consult....	Clutch, one way.....	4.....	.014-0221-05.....	19.00
17	84792.....	Bearing, radial, deep groove.....	4.....	.051-4933-02.....	12.00
18	157887....	Roller, clutch, slider.....	2.....	.073-7467-07.....	13.00
19	Consult....	Detect plate, insertion, top and B	1.....	.091-0501-09.....	2.00
20	Consult....	Spring, coil, compressive.....	1.....	.070-5176-04.....	79.00
22	Consult....	Bush.....	2.....	.063-5128-08.....	2.00
23	Consult....	Roller insertion.....	1.....	.069-2267-14.....	27.00
24	Consult....	Cover, roll	1.....	.090-0622-09.....	7.00
26	157853....	Catch, push latch	1.....	.070-1072-06.....	6.00
28	Consult....	Hinge.....	2.....	.013-7463-08.....	11.00
29	Consult....	Bracket, support.....	1.....	.090-0999-11.....	7.00
30	Consult....	Bracket, support.....	1.....	.090-1000-15.....	7.00
31	Consult....	Support assy cutter	1.....	.090-0780-13.....	210.00
32	Consult....	Pin, fulcrum, cutter	2.....	.072-2385-19.....	9.00
34	78083.....	Bush.....	2.....	.037-4818-02.....	3.00
35	Consult....	Lever assy, cutter, front.....	1.....	.090-0509-01.....	34.00
36	Consult....	Lever assy, cutter, rear.....	1.....	.090-0512-02.....	34.00
39	Consult....	Spring, coil, compressive.....	2.....	.076-3329-03.....	2.00
40	74452.....	Hanger, spring	4.....	.003-6479-04.....	4.00
41	Consult....	Bracket, cutter.....	1.....	.076-9850-19.....	38.00
42	157905....	Cutter, sawtooth.....	1.....	.076-9952-15.....	172.00
43	Consult....	Block B, cutter, hold	4.....	.076-9824-21.....	4.00
44	Consult....	Pin assy, cutter, hold.....	4.....	.094-2628-07.....	6.00
45	Consult....	Pin assy, cutter, upper	4.....	.094-2629-01.....	6.00
47	Consult....	Spring, plate, cutter	2.....	.091-0512-28.....	7.00
49	Consult....	Rubber pad	2.....	.052-4630-01.....	1.00
50	Consult....	Bracket, sensor	1.....	.090-0737-31.....	24.00
52	Consult....	Bracket, sensor, insertion	1.....	.091-0527-05.....	9.00
53	Consult....	Guide, sensor.....	1.....	.091-0557-07.....	35.00
54	Consult....	Name plate, scale, film	1.....	.073-7112-05.....	6.00
55	Consult....	Bracket, sensor	1.....	.091-0551-05.....	24.00
56	Consult....	Holder, sensor, insertion.....	1.....	.073-7155-14.....	11.00



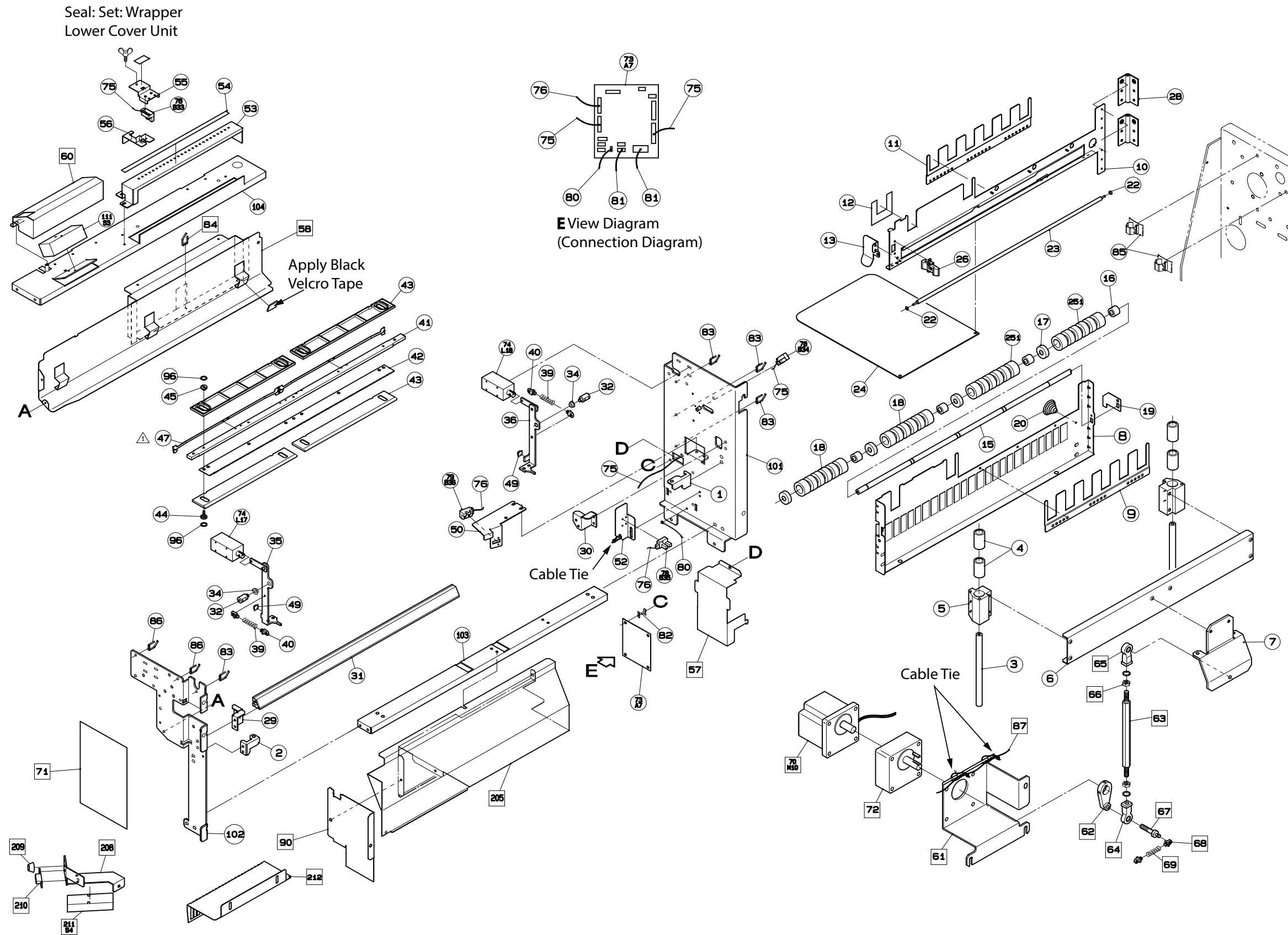
WM-4000

Film Transport Unit, Left



(Film Transport Unit, Left)

REF #	PART #	DESCRIPTION	QTY	SYNONYM	PRICE
57		Consult.... Cover, PWB, transport.....	1	090-0733-27	\$19.00
58		Consult.... Cover, loading	1	090-0751-06	85.00
60		Consult.... Cover, film transport, upper	1	091-2104-10	23.00
61		Consult.... Bracket, motor, insert	1	079-8928-22	24.00
62		Consult.... Lever, drive, hand-over	1	076-1777-01	16.00
63		Consult.... Threaded rod, turnbuckle, MM	1	069-2284-36	22.00
64		Consult.... Rod end, type I, F.....	1	000-3739-00	35.00
65		Consult.... Rod end, type I, F.....	1	016-8825-08	35.00
66		Consult.... Hex nut, T1, left-handed thread	1	000-0111-01	2.00
67		Consult.... Pin, hanger, spring.....	1	070-1327-32	12.00
68		Consult.... Hanger, spring.....	2	011-5180-11	2.00
69		Consult.... Spring, coil, compressive.....	1	070-1328-09	4.00
70	162943	Motor, DC brushless with brake.....	1	073-7450-04	289.00
71		Consult.... Name plate, explanation	1	106-6697-05	28.00
72		Consult.... Gear head	1	055-9082-01	216.00
73	157894	PWB, P-922, A-1	1	068-9900-35	145.00
74		Consult.... Solenoid assy, cutter	2	073-7081-03	28.00
75		Consult.... Harness, C6, film transfer L	1	072-2297-14	21.00
76		Consult.... Harness, C3, film insertion L.....	1	090-0786-15	8.00
78	104239	Photo interrupter, transmitter	3	070-5204-14	9.00
79	157856	Photo interrupter, transmitter	1	070-5205-18	11.00
80		Consult.... Harness, C2, ground	1	072-2104-28	2.00
81		Consult.... Harness, C4, film transfer L	1	072-2252-26	34.00
82	47027	PWB accessory, card spacer.....	4	000-1796-05	1.00
83		Consult.... Accessory, clamp, LWS clamp.....	4	073-7213-08	1.00
84		Consult.... Accessory, clamp, LWS clamp.....	1	073-7214-01	1.00
85		Consult.... Accessory, clamp, CKS clamp.....	2	052-4732-08	3.00
86		Consult.... Accessory, clamp, LWS clamp.....	2	073-7212-04	1.00
87		Consult.... Harness, C3, fan heater L.....	1	073-7237-16	11.00
90		Consult.... Cover, roll, front	1	090-0759-14	18.00
101		Consult.... Frame, transport, rear.....	1	090-0744-28	58.00
102		Consult.... Frame, transport, front.....	1	090-0741-36	75.00
103		Consult.... Bracket, linear shaft, lower.....	1	090-0624-15	27.00
104		Consult.... Stay change	1	079-8939-51	69.00
111	157866	Switch, safety (film removal door).....	1	111-8428-00	77.00
205		Consult.... Cover, roll	1	090-0762-43	77.00
208		Consult.... Bracket, switch.....	1	091-0520-19	19.00
209		Consult.... Rubber pad	1	000-3965-05	2.00
210		Consult.... Catch, magnet.....	1	006-3205-01	7.00
211	157866	Switch, safety (side door).....	1	111-8428-00	77.00
212		Consult.... Cover, fan heater	1	073-7427-17	12.00
251	157886	Roller, clutch, slider.....	2	098-3477-13	28.00



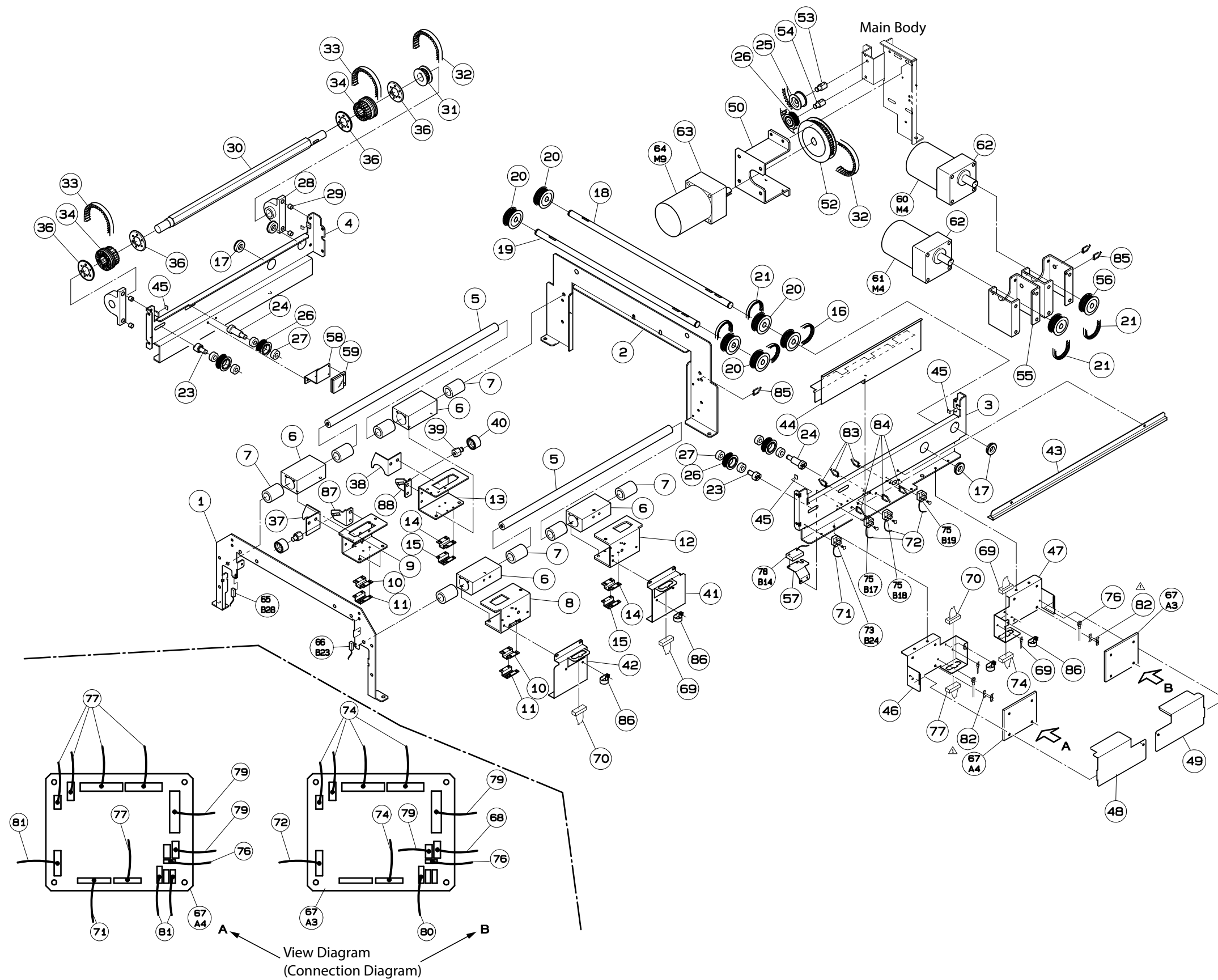
WM-4000

Feeder Movement Unit



(Feeder Movement Unit)

REF #	PART #	DESCRIPTION	QTY	SYNONYM	PRICE
1		Consult....Frame, feeder move, front	1090-0765-26	\$69.00
2		Consult....Frame, feeder move, rear.....	1098-8178-09.....	75.00
3		Consult....Frame, feeder move, R	1090-0728-37	79.00
4		Consult....Frame, feeder move, L.....	1090-0729-21	69.00
5		Consult....Shaft, linear	2069-2247-01	58.00
6		Consult....Housing, linear, feeder	4076-1757-07	25.00
7		Consult....Bearing, linear bush.....	8068-5133-03.....	30.00
8		Consult....Bracket, feeder, FR.....	1072-2189-24.....	25.00
9		Consult....Bracket, feeder, FL	1072-2187-36.....	25.00
10		Consult....Distance, feeder move, front.....	2076-1920-08.....	2.00
11		Consult....Holder, timing belt, front.....	2076-1919-03.....	2.00
12		Consult....Bracket, feeder, RR	1072-2188-21	25.00
13		Consult....Bracket, feeder, RL.....	1072-2186-41.....	25.00
14		Consult....Distance, feeder move, rear	2076-1946-04.....	2.00
15		Consult....Holder, timing belt, rear.....	2076-1918-00.....	2.00
16		Consult....Timing belt, S5M,	4070-1253-03.....	23.00
17		Consult....Bearing, radial, deep groove.....	4030-6368-00.....	24.00
18		Consult....Shaft, feeder move, rear	1069-2217-36.....	72.00
19		Consult....Shaft, feeder move, front	1069-2216-32.....	72.00
20		Consult....Timing pulley, S5M, AF	6073-7226-06.....	21.00
21		Consult....Timing belt, S5M	2070-1076-01.....	21.00
23		Consult....Shaft, tension, front feeder.....	2090-0674-02.....	14.00
24		Consult....Shaft, tension, rear feeder.....	2090-0673-09.....	20.00
25	93622.....	Pulley, idler	1045-3957-08.....	15.00
26		Consult....Timing pulley, S5M, AF	5073-7221-08.....	22.00
27	47168.....	Bearing, radial, deep groove	10000-3659-05.....	20.00
28		Consult....Bearing unit, pillow	2004-4361-09.....	28.00
29		Consult....Collar spacer	4000-0406-09.....	1.00
30		Consult....Shaft, drive, feeder	1090-0685-03.....	74.00
31		Consult....Timing pulley, S5M, AF	1073-7227-00.....	27.00
32		Consult....Timing belt, S5M	1072-2277-01.....	28.00
33	157906.....	Timing belt, S5M	2072-2278-04.....	31.00
34		Consult....Timing pulley, S5M	2079-3500-06.....	6.00
36		Consult....Flange, feeder move.....	4090-0783-05.....	5.00
37		Consult....Guide, pulley	1090-0994-04.....	7.00
38		Consult....Guide, pulley	1090-0993-01.....	7.00
39		Consult....Shaft, pulley, tension.....	2069-2189-35.....	20.00
40	88649.....	Pulley, tension.....	2048-3915-03.....	9.00
41		Consult....Detect plate, feeder move, rear.....	1090-0684-28.....	16.00
42		Consult....Detect plate, feeder move, front.....	1090-0683-33.....	15.00
43		Consult....Guide, harness, upper	1070-5216-19.....	10.00
44		Consult....Guide, harness	1090-0687-38.....	38.00
45		Consult....Rubber pad	4052-4630-01.....	1.00
46		Consult....Bracket, PWB, feeder move	1090-0681-27.....	26.00
47		Consult....Bracket, PWB, feeder move	1090-0682-21.....	26.00
48		Consult....Cover, PWB, feeder move	1090-0766-11.....	8.00
49		Consult....Cover, PWB, feeder move	1090-0767-14.....	8.00
50		Consult....Bracket, motor, F drive	1072-2090-01.....	35.00



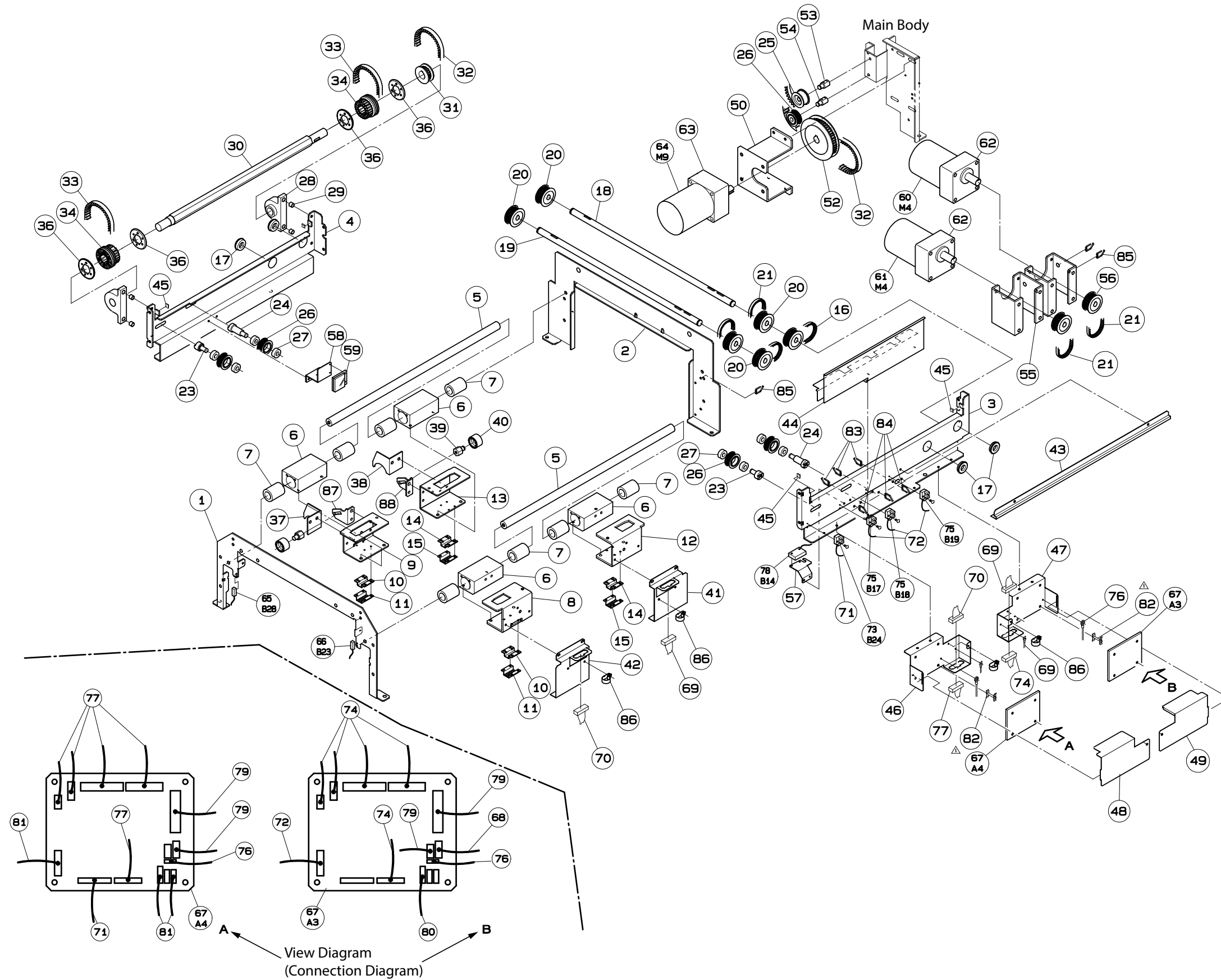
WM-4000

Feeder Movement Unit



(Feeder Movement Unit)

REF #	PART #	DESCRIPTION	QTY	SYNONYM	PRICE
52	Consult....	Timing pulley, S5M, AF	1073-7228-03.....	\$41.00
53	Consult....	Shaft, pulley, feeder drive.....	1072-2085-02.....	14.00
54	Consult....	Shaft pulley, feeder drive.....	1072-2358-09.....	18.00
55	Consult....	Bracket, motor, F move	2090-0678-07	26.00
56	Consult....	Timing pulley, S5M, AF	2073-7225-02.....	22.00
57	Consult....	Bracket, sensor, lift	1090-0677-21	7.00
58	Consult....	Bracket, reflector, lift	1090-0686-25.....	10.00
59	Consult....	Reflector.....	1073-7263-04.....	13.00
60	Consult....	Motor, DC brushless, with brake.....	1070-1422-06	282.00
61	Consult....	Motor, DC brushless, with brake.....	1070-1421-02.....	282.00
62	Consult....	Gear head	2055-9082-01	216.00
63	Consult....	Gear head	1070-5252-04.....	134.00
64	Consult....	Motor, DC brushless.....	1070-1424-03.....	184.00
65	152168....	Photo, interrupter, emission	1072-2099-04.....	14.00
66	152169....	Photo, interrupter, receive.....	1072-2100-05.....	24.00
67	157894....	PWB'P-922'A-1	2068-9900-35.....	145.00
68	Consult....	Harness, C2, comm	1069-6809-53.....	11.00
69	157919....	Harness, C4, feeder move.....	1071-4656-27	72.00
70	Consult....	Harness, C4, feeder move.....	1072-2120-19.....	69.00
71	Consult....	Harness, C3, feeder move.....	1071-4662-20.....	9.00
72	Consult....	Harness, C4, feeder move.....	1070-9688-18.....	13.00
73	104239....	Photo interrupter, trans (front limit)	1070-5204-14.....	9.00
74	Consult....	Harness, C6, feeder rear	1069-4560-31	25.00
75	157856....	Photo interrupter, trans (feeder position)	3070-5205-18.....	11.00
76	Consult....	Harness, C2, ground	2072-2104-28.....	2.00
77	Consult....	Harness, C6, feeder front	1072-2234-10.....	21.00
78	157857....	Sensor assy lift	1072-2231-28.....	137.00
79	Consult....	Harness, C5, feeder move.....	1072-2238-32.....	30.00
80	Consult....	Harness, C2, lift.....	1072-2294-13.....	6.00
81	Consult....	Harness, C19, SW right.....	1076-9878-21	38.00
82	47027.....	PWB accessory, card spacer.....	8000-1796-05.....	1.00
83	Consult....	Accessory, clamp, LWS clamp.....	3073-7212-04.....	1.00
84	Consult....	Accessory, clamp, LWS clamp.....	3073-7213-08.....	1.00
85	Consult....	Accessory, clamp, LWS clamp.....	3073-7214-01.....	1.00
86	Consult....	Accessory, clamp, nylon clamp.....	4027-8515-00.....	1.00
87	Consult....	Bracket, tension, F move.....	1090-0990-00.....	9.00
88	Consult....	Bracket, tension, F move.....	1090-0991-03.....	9.00



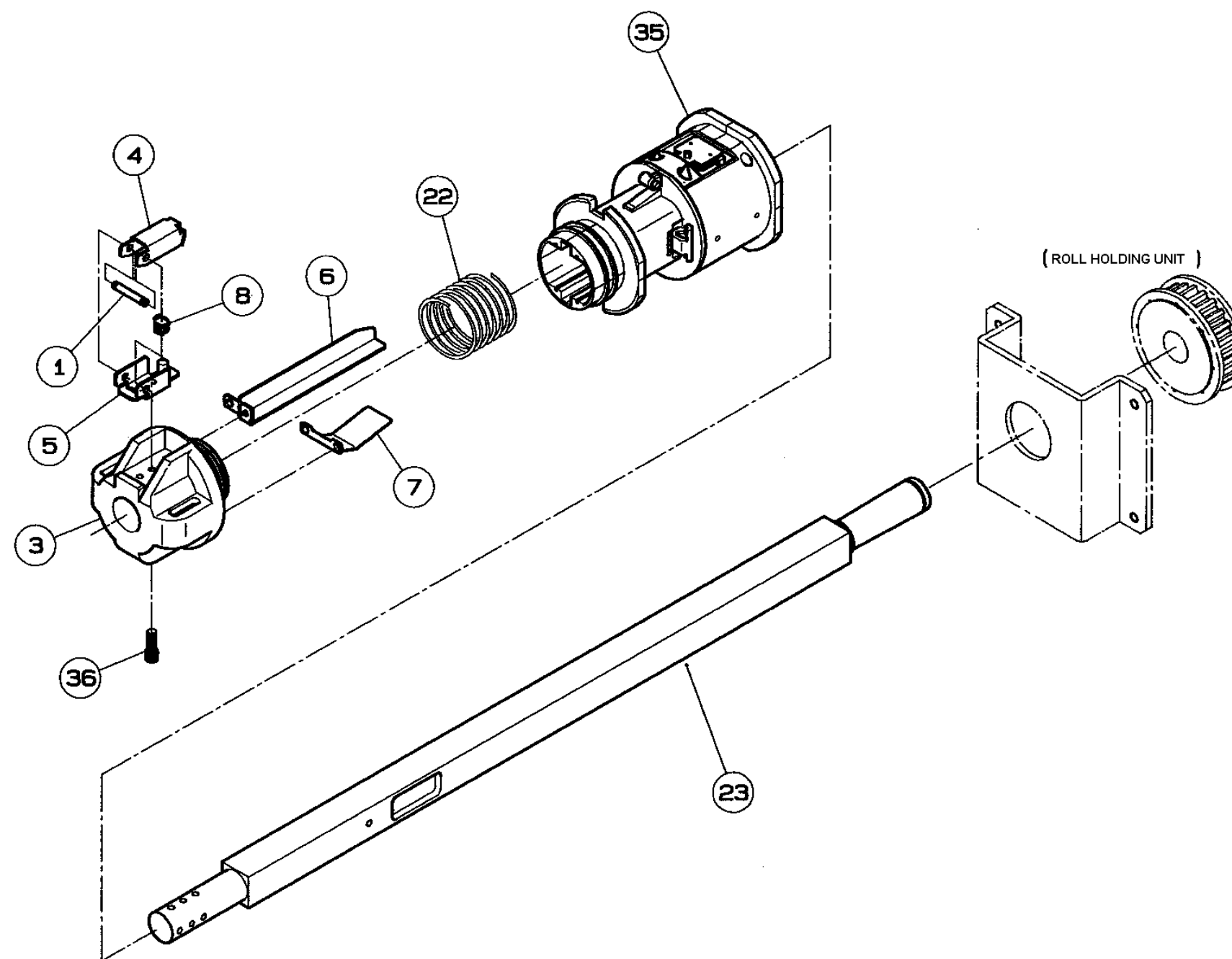
WM-4000

Film Roll Hold Unit



(Film Roll Hold Unit)

REF #	PART #	DESCRIPTION	QTY	SYNONYM	PRICE
1		Consult.... Shaft, holder, roll.....	1070-5013-29.....\$6.00
3		Consult.... Holder, roll, film.....	1073-7229-07.....38.00
4		Consult.... Stopper, film, roll.....	1070-5273-67.....7.00
5		Consult.... Bracket, holder, roll.....	1091-0549-16.....7.00
6		Consult.... Guide, roll, film.....	3070-5270-48.....8.00
7		Consult.... Spring, roll.....	3070-5268-31.....4.00
8		Consult.... Spring, coil, compressive.....	1053-8768-03.....1.00
22		Consult.... Spring, coil, compressive.....	1070-5032-39.....18.00
23		Consult.... Shaft, roll, film.....	1070-5041-88.....336.00
35	157854....	Slide, roll assy.....	1113-7266-04.....126.00



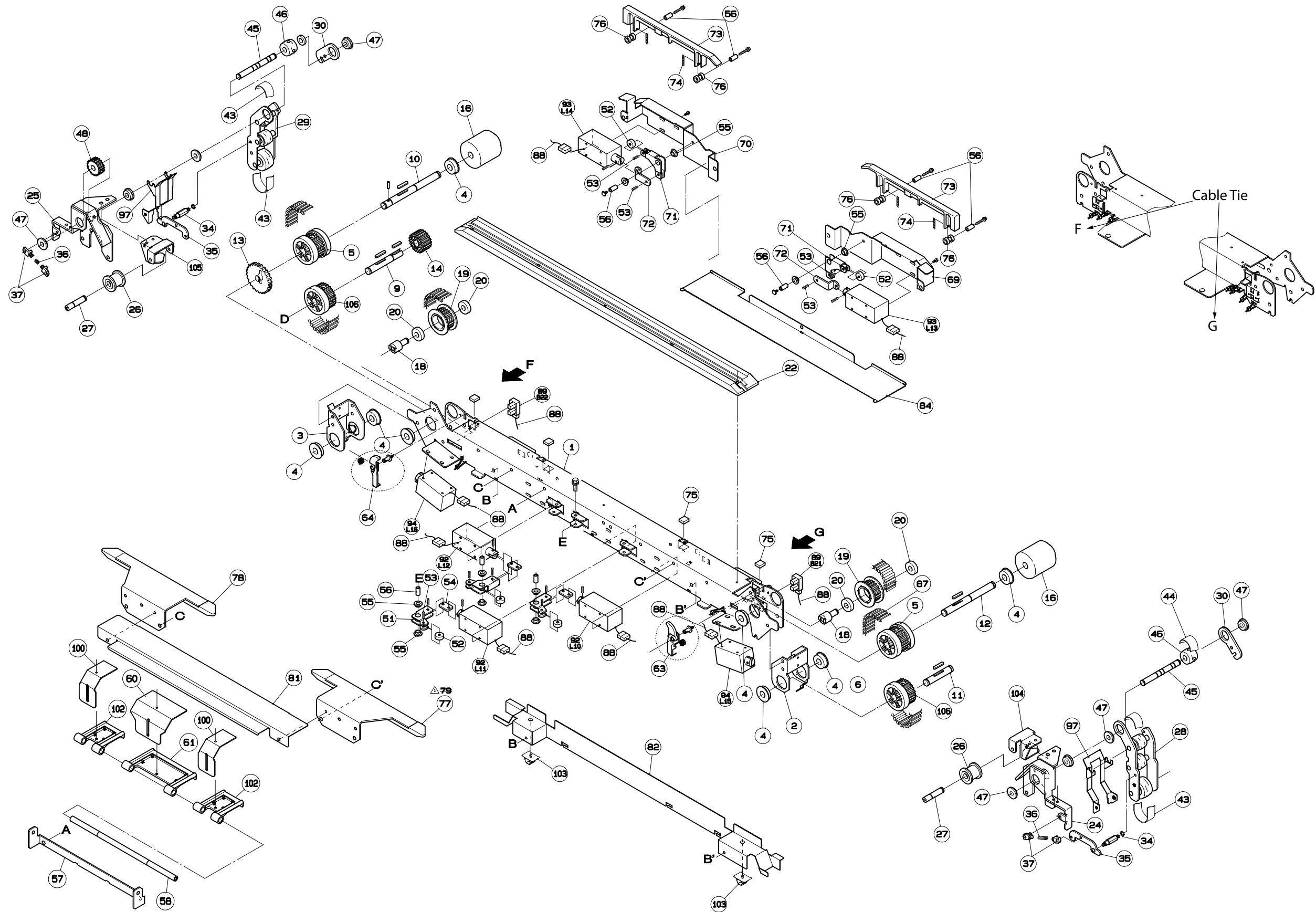
WM-4000

Film Feeder Unit, Front



(Film Feeder Unit, Front)

REF #	PART #	DESCRIPTION	QTY	SYNONYM	PRICE
1	Consult....	Frame, feeder.....	1.....	090-0644-65.....	\$177.00
2	Consult....	Frame, feeder, lower.....	1.....	076-1948-11.....	15.00
3	Consult....	Frame, feeder, lower.....	1.....	076-1949-14.....	11.00
4	160748....	Bearing, radial, deep groove.....	8.....	094-2649-05.....	6.00
5	Consult....	Timing pulley, T5, AF.....	2.....	079-1277-17.....	20.00
9	Consult....	Shaft, drive, lower.....	1.....	069-2190-11.....	14.00
10	Consult....	Shaft assy, drive, upper.....	1.....	091-0550-01.....	21.00
11	Consult....	Shaft, follower, lower.....	1.....	069-2492-07.....	10.00
12	Consult....	Shaft, follower, upper.....	1.....	069-2185-12.....	15.00
13	Consult....	Gear, flat.....	1.....	090-0652-01.....	4.00
14	88644....	Timing pulley, S5M, A.....	1.....	045-3708-07.....	13.00
16	Consult....	Roller, guide, corner.....	2.....	076-1961-01.....	6.00
18	Consult....	Shaft, pulley tension.....	2.....	090-0638-17.....	13.00
19	Consult....	Timing pulley, T5, A.....	2.....	073-7224-09.....	23.00
20	47165....	Bearing, radial.....	4.....	000-3610-03.....	6.00
22	Consult....	Rail, lower.....	1.....	077-4783-11.....	93.00
24	Consult....	Holder, pulley.....	1.....	079-1280-19.....	16.00
25	Consult....	Holder, pulley.....	1.....	079-1281-12.....	16.00
26	Consult....	Pulley assy, idler.....	2.....	079-3487-01.....	18.00
27	Consult....	Shaft, pulley, idler.....	2.....	073-7135-01.....	12.00
28	Consult....	Hold assy, RFLR.....	1.....	079-8648-01.....	77.00
29	Consult....	Hold assy LFRR.....	1.....	079-8649-05.....	77.00
30	Consult....	Frame, hold, upper.....	2.....	079-1261-09.....	4.00
34	Consult....	Pin, hold.....	2.....	069-2191-24.....	7.00
35	Consult....	Link, solenoid, hold.....	2.....	076-1921-01.....	5.00
36	Consult....	Spring, coil, compressive.....	2.....	076-9578-06.....	2.00
37	74452....	Hanger, spring.....	4.....	003-6479-04.....	4.00
43	157851....	Flat belt, endless, short green pincher.....	2.....	073-7254-01.....	22.00
44	157883....	Flat belt, endless, long green horizontal.....	1.....	073-7253-07.....	45.00
45	Consult....	Shaft, drive, flat.....	2.....	069-2201-28.....	15.00
46	Consult....	Pulley, drive, round.....	2.....	079-1252-14.....	17.00
47	Consult....	Bearing, radial, deep groove.....	8.....	094-2650-00.....	4.00
48	Consult....	Gear, flat.....	1.....	076-1779-09.....	18.00
51	Consult....	Lever, clamp, fulcrum.....	1.....	079-1269-17.....	5.00
52	Consult....	Roller clamp.....	3.....	076-1960-07.....	2.00
53	Consult....	Spring pin.....	5.....	049-0673-09.....	1.00
54	Consult....	Link, solenoid, clamp.....	1.....	076-1945-01.....	2.00
55	78083....	Bush.....	10.....	037-4818-02.....	3.00
56	Consult....	Collar, spacer.....	9.....	072-2137-02.....	2.00
57	Consult....	Bracelet, shaft, fulcrum.....	1.....	079-1285-26.....	18.00
58	Consult....	Shaft, clamp, fulcrum.....	1.....	090-0639-01.....	10.00
60	Consult....	Lever, clamp, center.....	1.....	079-1272-19.....	9.00
61	Consult....	Rail, center.....	1.....	111-8271-02.....	12.00
63	157907....	Sensor lever assy film detect, right.....	1.....	111-8269-04.....	16.00
64	157908....	Sensor lever assy film detect, left.....	1.....	111-8270-09.....	16.00
69	Consult....	Frame, side clamp, lower.....	2.....	079-1283-29.....	17.00
70	Consult....	Frame, side clamp, lower.....	1.....	079-1284-22.....	17.00
71	Consult....	Lever, sub clamp, fulcrum.....	1.....	079-1270-11.....	4.00
72	Consult....	Link, solenoid, side clamp.....	1.....	076-1944-07.....	2.00
73	Consult....	Block B, side clamp.....	1.....	077-4781-14.....	12.00



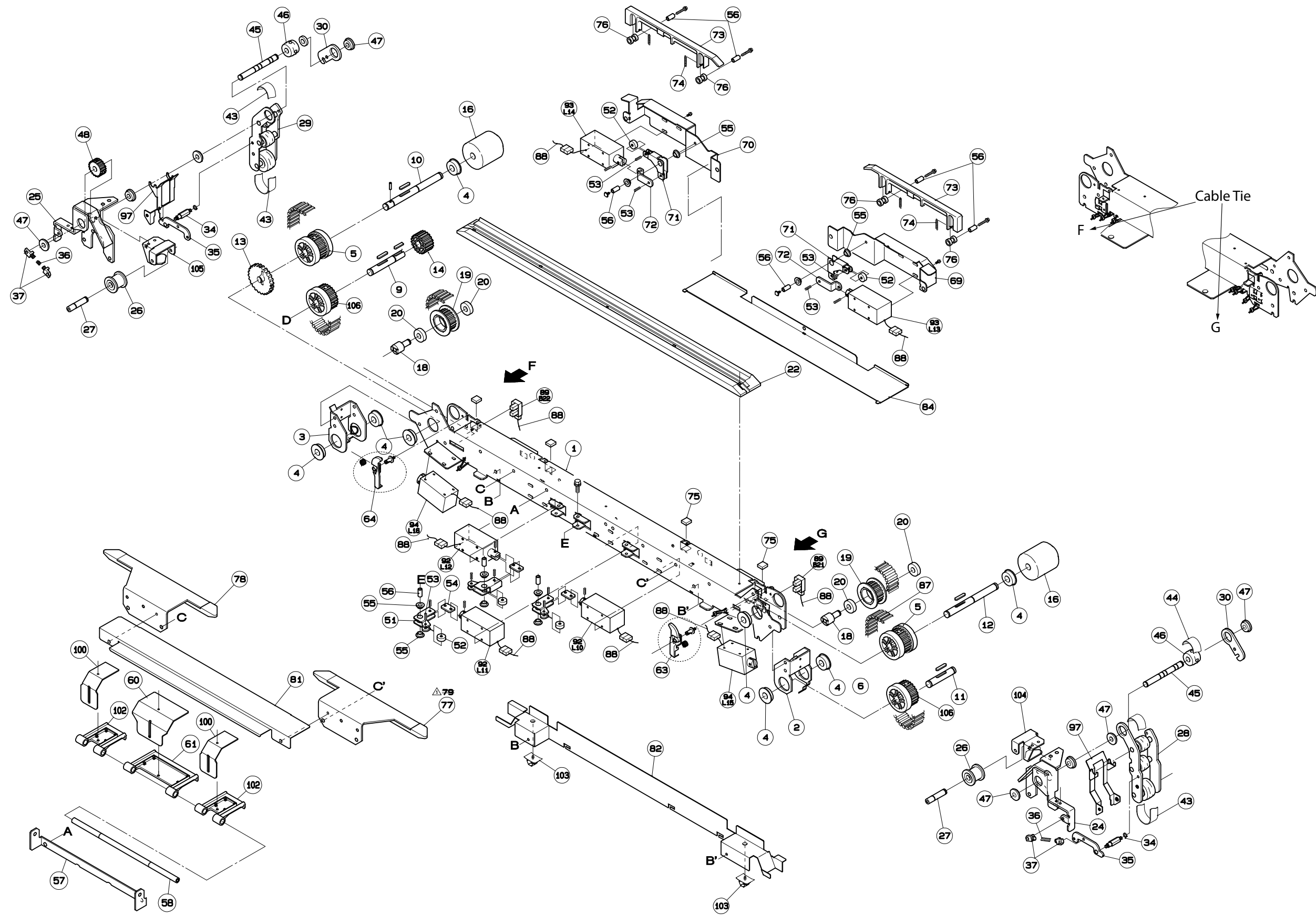
WM-4000

Film Feeder Unit, Front



(Film Feeder Unit, Front)

REF #	PART #	DESCRIPTION	QTY	SYNONYM	PRICE
74	Consult....	Spring, coil, compressive.....	4.....	072-2389-13.....	\$5.00
75	Consult....	Rubber pad.....	4.....	052-4630-01.....	1.00
76	Consult....	Guide, side, clamp.....	4.....	079-1275-01.....	2.00
77	157912....	Side clamp upper assy FR-RL.....	1.....	091-0581-07.....	55.00
78	157913....	Side clamp upper assy FL-RR.....	1.....	091-0582-01.....	55.00
81	Consult....	Cover, feeder, upper.....	1.....	090-0636-29.....	21.00
82	Consult....	Cover, harness.....	1.....	090-0641-19.....	48.00
84	Consult....	Cover, feeder, lower.....	1.....	090-0637-04.....	14.00
87	157869....	Timing belt, DT5, P1.5, white film feed.....	1.....	041-4278-07.....	225.00
88	Consult....	Harness, C10, feeder.....	1.....	079-3451-25.....	34.00
89	104239....	Photo interrupter, transm.....	2.....	070-5204-14.....	9.00
92	125701....	Solenoid assy, center clamps.....	3.....	073-7078-01.....	27.00
93	167445....	Solenoid assy, aux clamps.....	2.....	073-7079-05.....	20.00
94	160032....	Solenoid assy, film clamp (pincher).....	2.....	091-0618-01.....	23.00
97	Consult....	Guide, film, hold.....	2.....	079-1262-11.....	11.00
100	Consult....	Lever, clamp, side.....	2.....	079-1271-15.....	4.00
102	Consult....	Rail, upper, side.....	2.....	111-8250-04.....	11.00
103	Consult....	Accessory, clamp, CKS clamp.....	2.....	053-7489-01.....	2.00
104	Consult....	Bracket, shaft, hold.....	1.....	079-1053-01.....	11.00
105	Consult....	Bracket, shaft, hold.....	1.....	079-1054-04.....	11.00
106	Consult....	Timing pulley, T5, AF.....	2.....	079-1278-11.....	20.00



WM-4000

Film Feeder Unit, Rear



(Film Feeder Unit, Rear)

REF #	PART #	DESCRIPTION	QTY	SYNONYM	PRICE
1	Consult....	Frame, feeder	1	090-0645-69	\$177.00
2	Consult....	Frame, feeder	1	076-1948-11	15.00
3	Consult....	Frame, feeder, lower	1	076-1949-14	11.00
4	160748....	Bearing, radial, deep groove	8	094-2649-05	6.00
5	Consult....	Timing pulley T5, AF	2	079-1277-17	20.00
9	Consult....	Shaft drive, lower	1	069-2190-11	14.00
10	Consult....	Shaft assy, drive, upper	1	091-0550-01	21.00
11	Consult....	Shaft, follower, lower	1	069-2492-07	10.00
12	Consult....	Shaft, follower, upper	1	069-2185-12	15.00
13	Consult....	Gear, flat	1	090-0652-01	4.00
14	88644....	Timing pulley, S5M, A	1	045-3708-07	13.00
16	Consult....	Roller, guide, corner	2	076-1961-01	6.00
18	Consult....	Shaft, pulley, tension	1	090-0638-17	13.00
19	Consult....	Timing pulley, T5, A	1	073-7224-09	23.00
20	47165....	Bearing, radial	2	000-3610-03	6.00
22	Consult....	Rail, lower	1	077-4783-11	93.00
24	Consult....	Holder, pulley	1	079-1280-19	16.00
25	Consult....	Holder, pulley	1	079-1281-12	16.00
26	Consult....	Pulley assy, idler	2	079-3487-01	18.00
27	Consult....	Shaft pulley, idler	2	073-7135-01	12.00
28	Consult....	Hold assy, RFLR	1	079-8648-01	77.00
29	Consult....	Hold assy LFRR	1	079-8649-05	77.00
30	Consult....	Frame, hold, upper	2	079-1261-09	4.00
34	Consult....	Pin, hold	2	069-2191-24	7.00
35	Consult....	Link, solenoid, hold	1	076-1921-01	5.00
36	Consult....	Spring, coil, compressive	2	076-9578-06	2.00
37	74452....	Hanger, spring	4	003-6479-04	4.00
43	157851....	Flat belt, endless, short green pincher	2	073-7254-01	22.00
44	157883....	Flat belt, endless, long green horizontal	1	073-7253-07	45.00
45	Consult....	Shaft drive, flat	2	069-2201-28	15.00
46	Consult....	Pulley, drive, round	2	079-1252-14	17.00
47	Consult....	Bearing, radial, deep groove	8	094-2650-00	4.00
48	Consult....	Gear, flat	1	076-1779-09	18.00
49	Consult....	Detect plate, rear feeder	1	091-0553-02	6.00
50	Consult....	Detect plate, rear feeder	1	091-0554-06	6.00
51	Consult....	Lever, clamp, fulcrum	3	079-1269-17	5.00
52	Consult....	Roller clamp	5	076-1960-07	2.00
53	Consult....	Spring pin	2	049-0673-09	1.00
54	Consult....	Link, solenoid, clamp	3	076-1945-01	2.00
55	78083....	Bush	10	037-4818-02	3.00
56	Consult....	Collar, spacer	9	072-2137-02	2.00
57	Consult....	Bracket, shaft, fulcrum	1	079-1285-26	18.00
58	Consult....	Shaft, clamp, fulcrum	1	090-0639-01	10.00
60	Consult....	Lever, clamp, center	1	079-1272-19	9.00
61	Consult....	Rail, center	1	111-8271-02	12.00
63	157907....	Sensor lever assy film detect, left	1	111-8269-04	16.00
64	157908....	Sensor lever assy film detect, right	1	111-8270-09	16.00
69	Consult....	Frame, side clamp, lower	1	079-1283-29	17.00
70	Consult....	Frame, side clamp, lower	1	079-1284-22	17.00
71	Consult....	Lever, sub clamp, fulcrum	2	079-1270-11	4.00

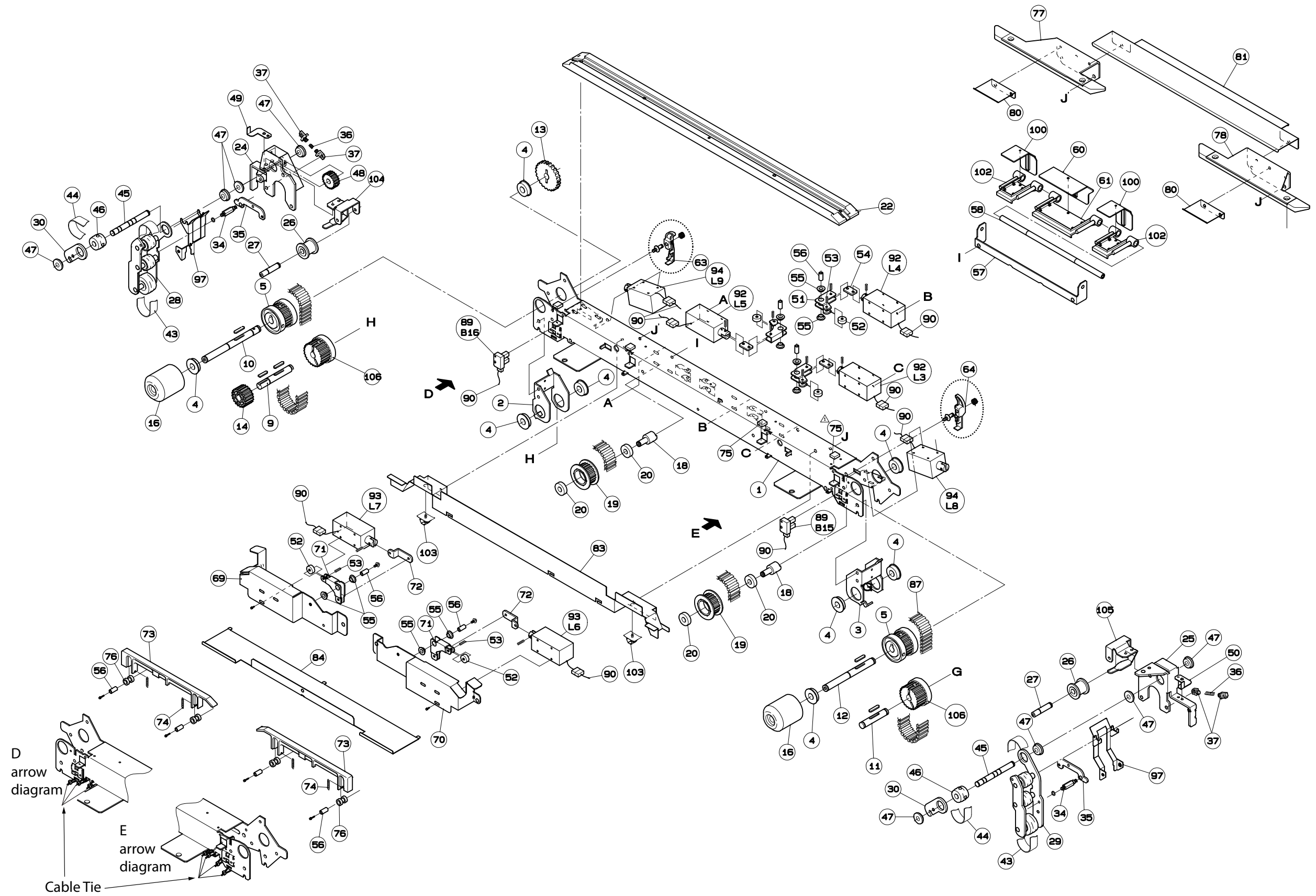
WM-4000

Film Feeder Unit, Rear



(Film Feeder Unit, Rear)

REF #	PART #	DESCRIPTION	QTY	SYNONYM	PRICE
72		Consult.... Link, solenoid, side clamp.....	2.....	076-1944-07	\$2.00
73		Consult.... Block B, side cramp	2.....	077-4781-14	12.00
74		Consult.... Spring, coil, compressive.....	4.....	072-2389-13	5.00
75		Consult.... Rubber pad	4.....	052-4630-01	1.00
76		Consult.... Guide, side, clamp.....	4.....	079-1275-01	2.00
77	157912....	Side clamp upper assy FR-RL	1.....	091-0581-07	55.00
78	157913....	Side clamp upper assy FL-RR	1.....	091-0582-01	55.00
80		Consult.... Guide, belt.....	2.....	072-2123-47	5.00
81		Consult.... Cover, feeder, upper	1.....	090-0636-29	21.00
83		Consult.... Cover, harness	1.....	090-0642-12	48.00
84		Consult.... Cover, feeder, lower	1.....	090-0637-04	14.00
87	157869....	Timing belt, DT5, P1.5, white film feed.....	1.....	041-4278-07	225.00
89	104239....	Photo interrupter, transmitter	2.....	070-5204-14	9.00
90		Consult.... Harness, C10, feeder	1.....	079-3451-25	34.00
92	125701....	Solenoid assy, center clamps	3.....	073-7078-01	27.00
93	167445....	Solenoid assy clamp, aux clamps.....	2.....	073-7079-05	20.00
94	160032....	Solenoid assy clamp, film clamp (pincher).....	2.....	091-0618-01	23.00
97		Consult.... Guide, film, hold	2.....	079-1262-11	11.00
100		Consult.... Lever, clamp, side.....	2.....	079-1271-15	4.00
102		Consult.... Rail, upper, side.....	2.....	111-8250-04	11.00
103		Consult.... Accessory, clamp, CKS clamp.....	2.....	053-7489-01	2.00
104		Consult.... Bracket, shaft, hold	1.....	079-1053-01	11.00
105		Consult.... Bracket, shaft, hold	1.....	079-1054-04	11.00
106		Consult.... Timing pulley, T5, AF	2.....	079-1278-11	20.00



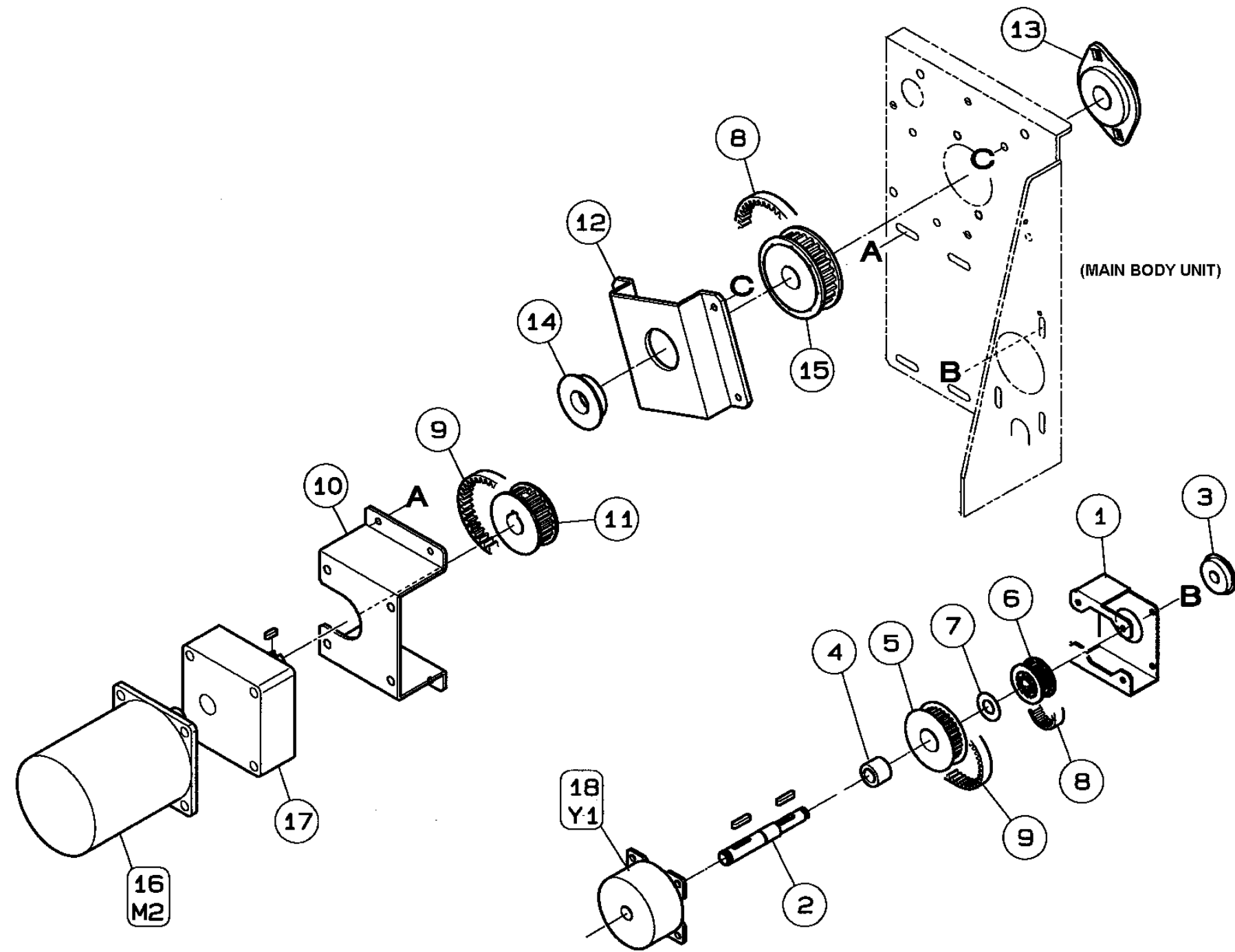
WM-4000

Roll Hold Unit, Right



(Roll Holding Unit, Right)

REF #	PART #	DESCRIPTION	QTY	SYNONYM	PRICE
1	Consult....	Bracket, brake.....	1.....	079-3132-18.....	\$23.00
2	Consult....	Shaft clutch.....	1.....	079-3138-10.....	41.00
3	48174.....	Bearing, radial, deep groove.....	1.....	004-1478-00.....	12.00
4	70134.....	Clutch, one way.....	1.....	012-3206-05.....	39.00
5	Consult....	Timing pulley, S5M, AF.....	1.....	076-1760-09.....	20.00
6	Consult....	Timing pulley, P5M, AF.....	1.....	076-1758-01.....	19.00
7	Consult....	Washer, thrust.....	1.....	033-2667-01.....	2.00
8	Consult....	Timing belt, SP5M.....	1.....	073-7255-04.....	38.00
9	Consult....	Timing belt, S5M.....	1.....	045-4371-00.....	11.00
10	Consult....	Bracket, motor, roll drive.....	1.....	069-2330-43.....	14.00
11	Consult....	Timing pulley, S5M, AF.....	1.....	073-7225-02.....	22.00
12	Consult....	Bracket, roll hold.....	1.....	070-5275-28.....	13.00
13	Consult....	Bearing unit, flange.....	1.....	026-7543-03.....	34.00
14	Consult....	Bearing, radial, deep groove.....	1.....	057-0387-08.....	29.00
15	Consult....	Timing pulley, P5M, AF.....	1.....	073-7223-05.....	29.00
16	Consult....	Motor, DC brushless.....	1.....	070-1423-00.....	184.00
17	Consult....	Gear head.....	1.....	055-9082-01.....	216.00
18	Consult....	Brake assy, roll breaker.....	1.....	076-1967-02.....	191.00



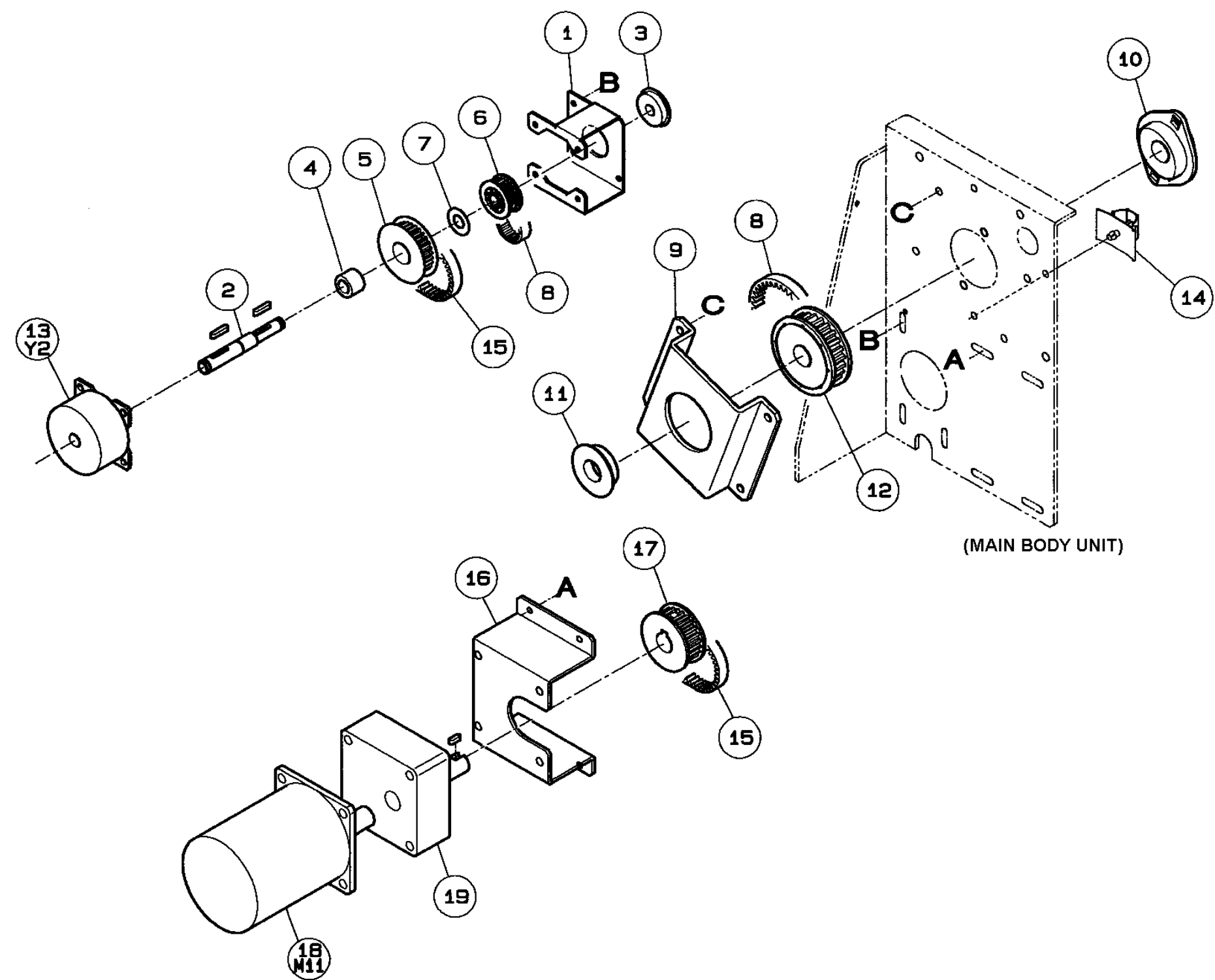
WM-4000

Roll Hold Unit, Left



(Roll Holding Unit, Left)

REF #	PART #	DESCRIPTION	QTY	SYNONYM	PRICE
1	Consult....	Bracket, brake.....	1079-3133-11 \$23.00
2	Consult....	Shaft, clutch.....	1079-3138-10 41.00
3	48174.....	Bearing, radial, deep groove.....	1004-1478-00 12.00
4	70134.....	Clutch, one way.....	1012-3206-05 39.00
5	Consult....	Timing pulley, S5M, AF.....	1076-1760-09 20.00
6	Consult....	Timing pulley, P5M, AF.....	1076-1758-01 19.00
7	Consult....	Washer, thrust.....	1033-2667-01 2.00
8	Consult....	Timing belt, SP5M.....	1073-7255-04 38.00
9	Consult....	Bracket, roll hold.....	1070-5275-28 13.00
10	Consult....	Bearing unit, flange.....	1026-7543-03 34.00
11	Consult....	Bearing, radial, deep groove.....	1057-0387-08 29.00
12	Consult....	Timing pulley, P5M, AF.....	1073-7223-05 29.00
13	Consult....	Brake assy, roll brake L.....	1076-1966-09 191.00
14	Consult....	Accessory, clamp, CKS clamp.....	1032-9012-00 2.00
15	Consult....	Timing belt, S5M.....	1045-4371-00 11.00
16	Consult....	Bracket, motor, roll, drive.....	1069-2330-43 14.00
17	Consult....	Timing pulley S5M, AF.....	1073-7225-02 22.00
18	Consult....	Motor, DC brushless.....	1070-1423-00 184.00
19	Consult....	Gear head.....	1055-9082-01 216.00



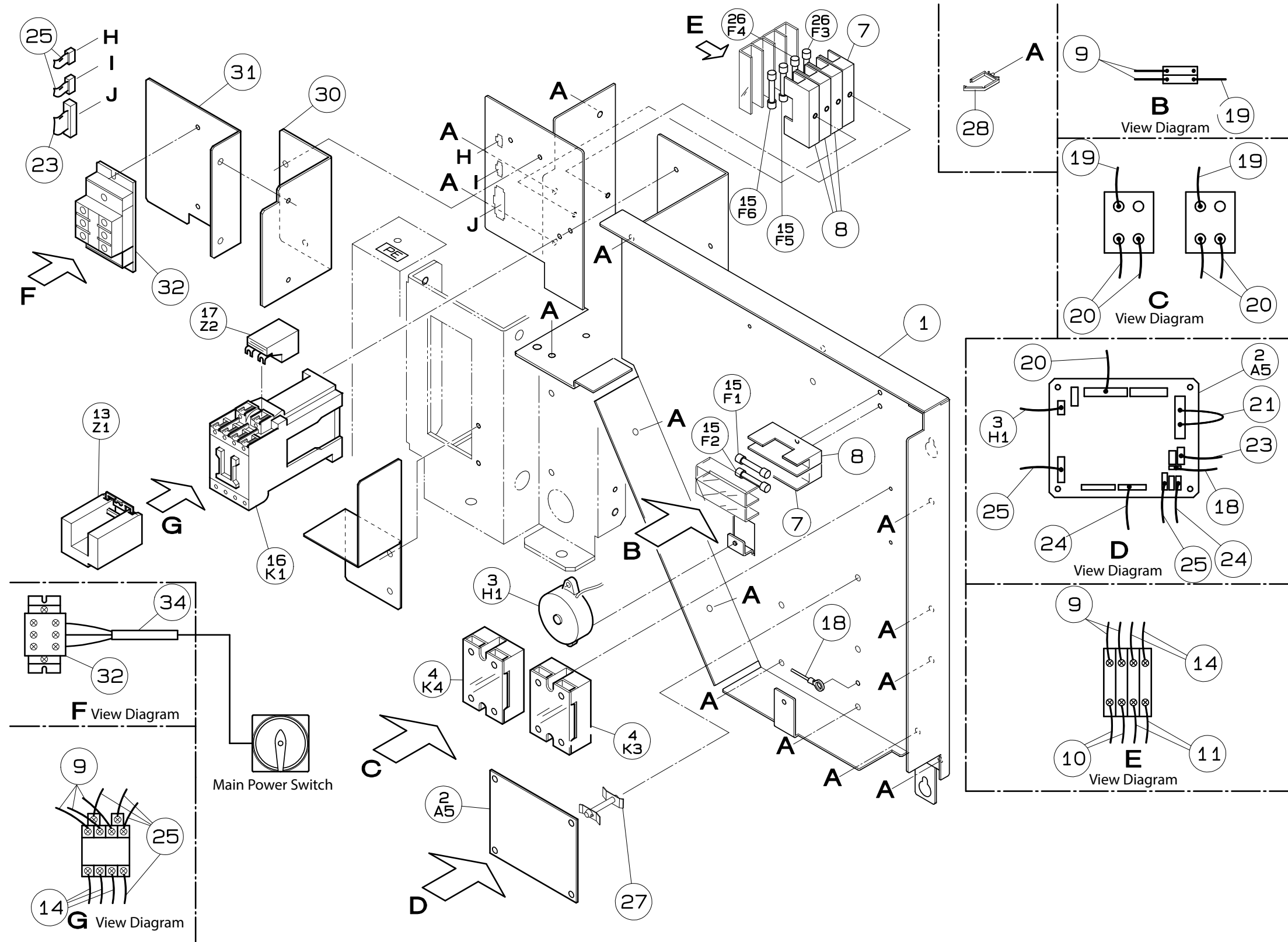
WM-4000

Heater Control Unit



(Heater Control Unit)

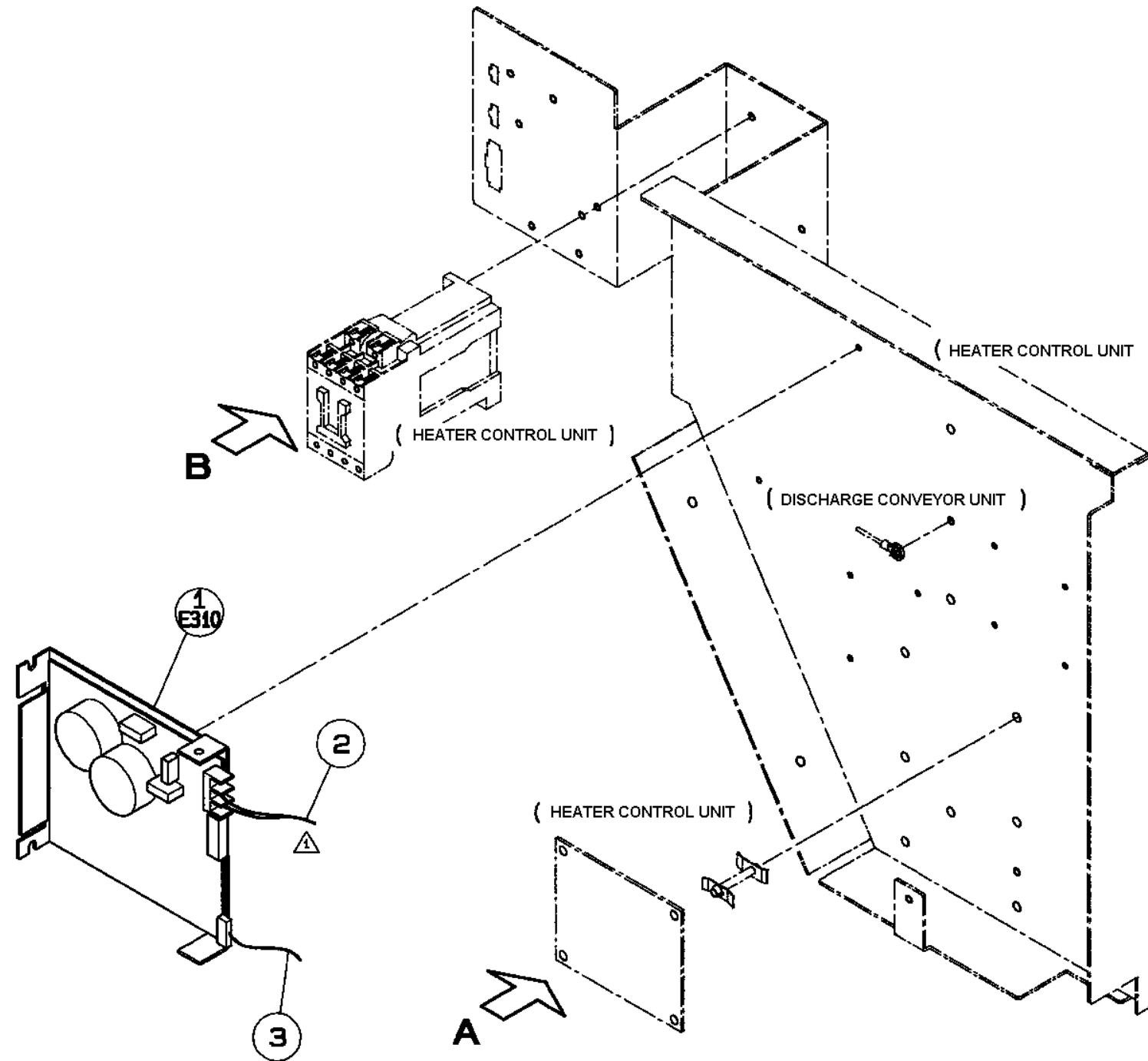
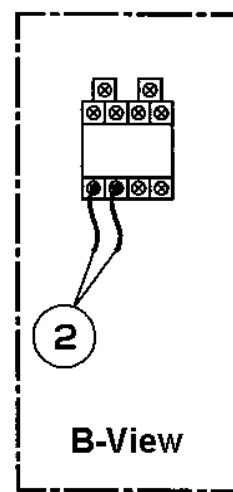
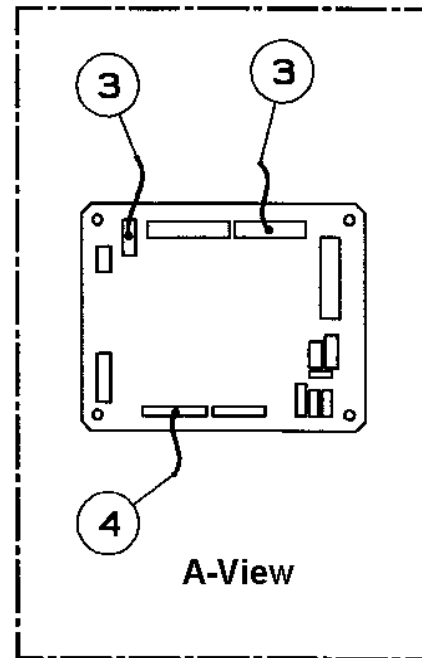
REF #	PART #	DESCRIPTION	QTY	SYNONYM	PRICE
1	Consult....	Frame, power	1.....	090-0655-48.....	\$109.00
2	157894....	PWB, P-922, A-1	1.....	068-9900-35.....	145.00
3	Consult....	Buzzer assy.....	1.....	069-4694-37.....	20.00
4	157895....	Relay, solid state.....	2.....	073-7118-07.....	30.00
7	72857.....	Fuse holder, terminal.....	2.....	000-4119-04.....	9.00
8	72856.....	Fuse holder, terminal type.....	4.....	040-2724-07.....	9.00
9	Consult....	Harness, C15, power AC.....	1.....	117-3487-05.....	71.00
10	Consult....	Harness, C4, PS AC.....	1.....	072-2253-11.....	19.00
11	Consult....	Harness, C6, PS AC.....	1.....	090-0689-08.....	14.00
13	116273....	Electromagnetic, main surge	1.....	069-2404-09.....	45.00
14	Consult....	Harness, C8, PS AC.....	1.....	072-2284-25.....	20.00
15	47075.....	Fuse, glass tube, 5A, 250V, 3AG.....	4.....	033-3882-09.....	3.00
16	116272....	Electromagnetic contactor.....	1.....	069-2402-01.....	49.00
17	116274....	Electromagnetic, coil serge.....	1.....	072-2108-04.....	30.00
18	Consult....	Harness, C2, ground	1.....	072-2104-28.....	2.00
19	Consult....	Harness, C3, heater	1.....	072-2233-25.....	6.00
20	Consult....	Harness, C5, heater	1.....	072-2232-12.....	8.00
21	Consult....	Harness, S1, PS short circuit.....	1.....	072-2121-03.....	3.00
23	Consult....	Harness, C4, communication	1.....	072-2237-20.....	20.00
24	Consult....	Harness, C6, sensor.....	1.....	076-1911-04.....	22.00
25	Consult....	Harness, C21, SW left	1.....	079-3433-46.....	55.00
26	Consult....	Fuse, glass tube	2.....	072-2465-04.....	3.00
27	47027.....	PWB accessory, card spacer.....	4.....	000-1796-05.....	1.00
28	Consult....	Accessory, clamp, LWS clamp.....	14.....	073-7214-01.....	1.00
30	Consult....	L plate B, PS, lower.....	1.....	108-0247-05.....	58.00
31	Consult....	L plate B, PS	1.....	108-0246-01.....	58.00
32	Consult....	Terminal assy, block.....	1.....	072-2290-00.....	14.00
34	Consult....	Harness, C6, power AC.....	1.....	108-0294-10.....	27.00





(Heater Control Unit Addition)

REF #	PART #	DESCRIPTION	QTY	SYNONYM	PRICE
1	157861 Controller, motor, DC brushless	1070-1420-09.....\$223.00
2		Consult.... Harness, C4, AC power.....	1076-1897-05..... 10.00
3		Consult.... Harness, C4, BC brushless	1076-1910-10.....32.00
4		Consult.... Harness, C3, sensor.....	1076-1901-25..... 15.00



WM-4000

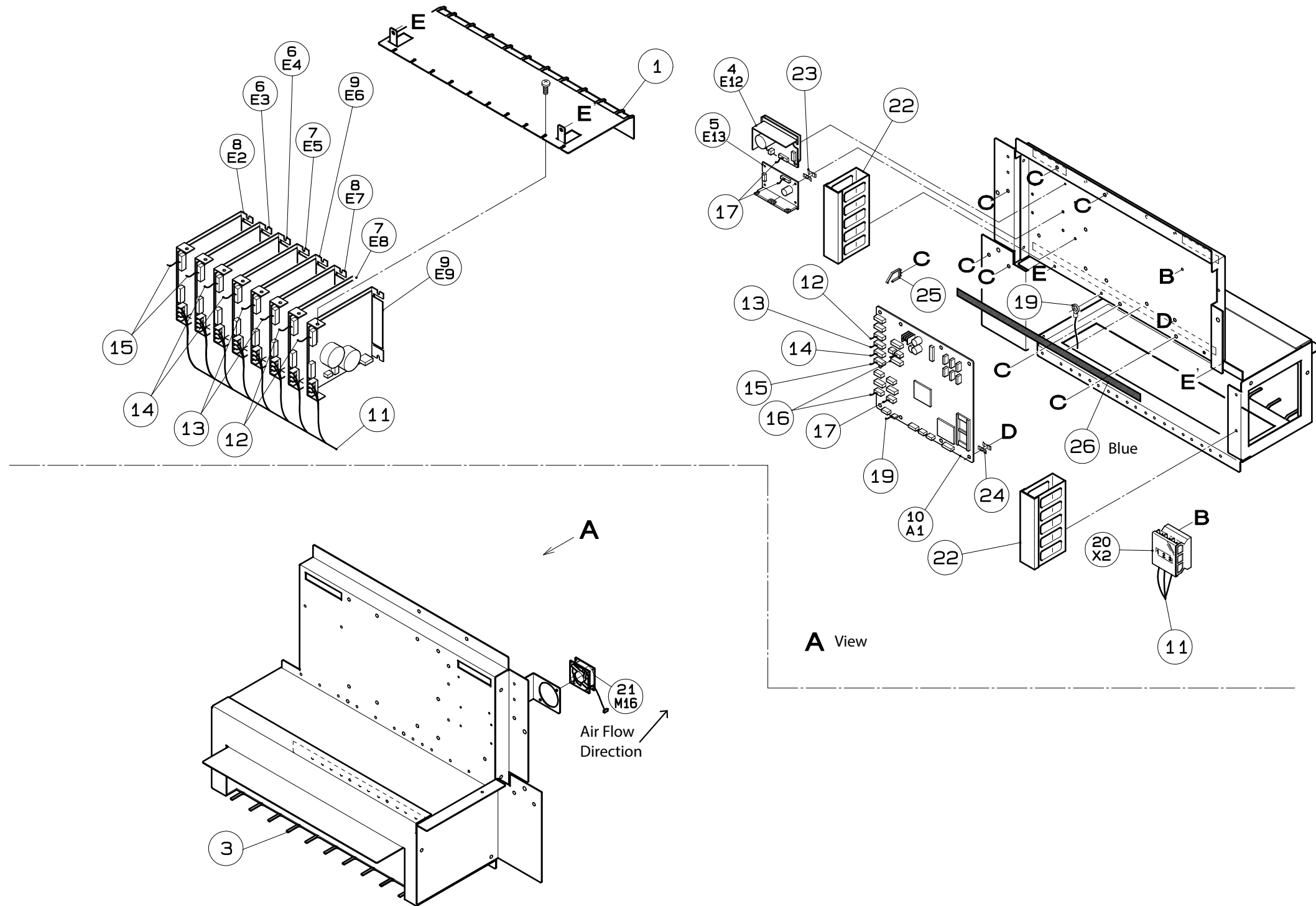
Wrapping Control Unit



(Wrapping Control Unit)

REF #	PART #	DESCRIPTION	QTY	SYNONYM	PRICE
1		Consult....Bracket, ground, brushless.....	1090-0616-24.....	\$16.00
3		Consult....Frame, PWB, wrapper.....	1090-0618-59.....	158.00
4	157855....	Controller, motor, stepping.....	1072-2102-02.....	191.00
5	157884....	Controller, motor, stepping.....	1072-2103-06.....	180.00
6	157858....	Controller, motor, DC brushless.....	2070-1417-07.....	223.00
7	157859....	Controller, motor, DC brushless.....	2070-1418-01.....	223.00
8	157860....	Controller, motor, DC brushless.....	2070-1419-04.....	223.00
9	157861....	Controller, motor, DC brushless.....	2070-1420-09.....	223.00
10	157914....	PWB, P-920, A.....	1067-6948-71.....	413.00
11		Consult....Harness, C22, power AC.....	1108-8161-08.....	123.00
12		Consult....Harness, C3, DC brushless.....	1069-6912-36.....	23.00
13		Consult....Harness, C3, DC brushless.....	1069-6913-30.....	22.00
14		Consult....Harness, C3, DC brushless.....	1069-6914-33.....	20.00
15		Consult....Harness, C3, DC brushless.....	1069-6915-37.....	20.00
16		Consult....Harness, C6, lift.....	1079-3413-14.....	142.00
17		Consult....Harness, C4, stepping.....	1070-3056-31.....	15.00
19		Consult....Harness, C2, ground.....	1072-2104-28.....	2.00
20		Consult....Terminal assy, block.....	1072-2290-00.....	14.00
21		Consult....Fan assy.....	1069-4689-29.....	58.00
22		Consult....Duct, harness.....	2073-7108-00.....	7.00
23		Consult....PWB accessory, card spacer.....	4073-7207-05.....	1.00
24	47027....	PWB accessory, card spacer.....	9000-1796-05.....	1.00
25		Consult....Accessory, clamp, LWS clamp.....	7073-7214-01.....	1.00
26		Consult....Name plate, explanation.....	1101-1882-03.....	7.00

- A1** Wrapping Control
- E2** Right Film Roll Drive
- E3** Right Film Insertion
- E4** Front Feeder
- E5** Rear Feeder
- E6** Rear Wrapping
- E7** Left/Right Wrapping
- E8** Discharge Pusher
- E9** Feeder
- E12** Tray Infeed
- E13** Tray Centering

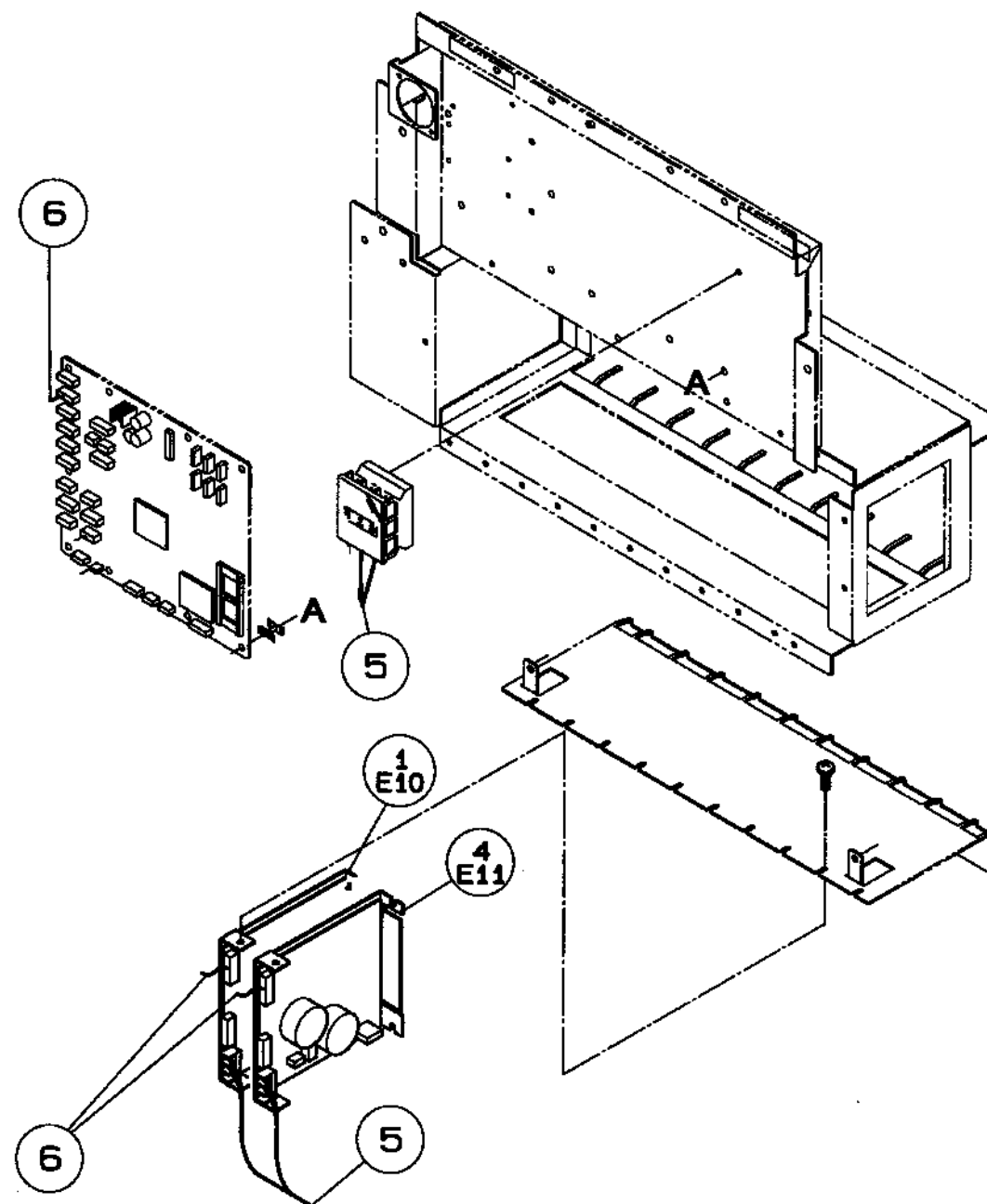




(Control Unit Addition)

REF #	PART #	DESCRIPTION	QTY	SYNONYM	PRICE
1	157858....	Controller, motor, DC brushless	1.....	070-1417-07	\$223.00
4	157860....	Controller, motor, DC brushless	1.....	070-1419-04	223.00
5	Consult....	Harness, C6, PS AC.....	1.....	070-9672-46.....	16.00
6	Consult....	Harness, C3, DC brushless	1.....	069-6911-32.....	25.00

- E10 Left Film Insertion
- E11 Left Film Roll Drive



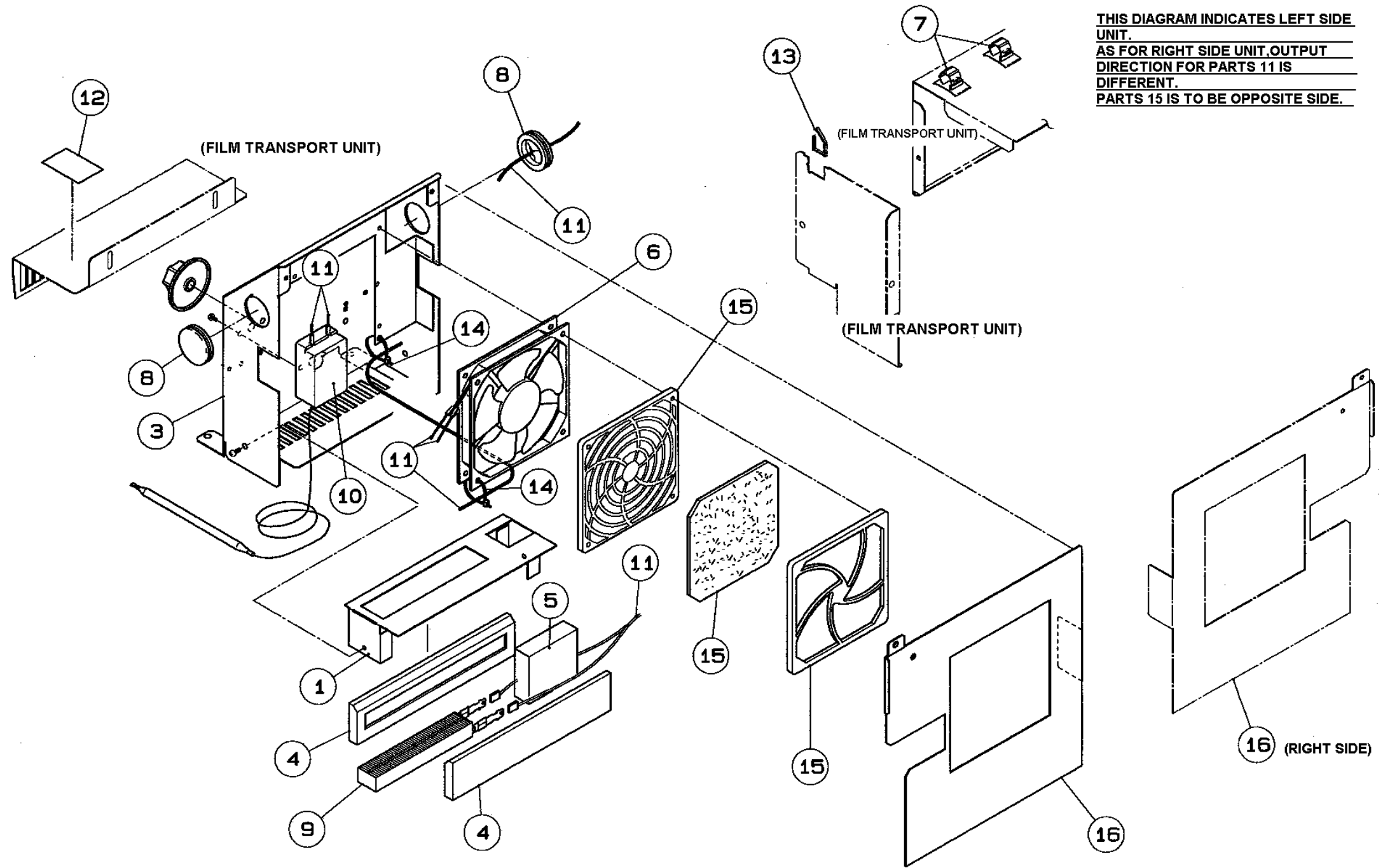
WM-4000

Fan Heater Unit, Right



(Fan Heater Unit, Right)

REF #	PART #	DESCRIPTION	QTY	SYNONYM	PRICE
1		Consult....Bracket, heater, fan	1.....	076-9986-11	\$19.00
3		Consult....Chassis, fan heater.....	1.....	076-9991-20.....	72.00
4		Consult....Holder, heater	2.....	038-3913-07	24.00
5		Consult....Holder, heater, harness	1.....	090-0918-01	8.00
6	52611.....	Fan.....	1.....	017-5829-09.....	82.00
7		Consult....Accessory, clamp, CKN clamp	2.....	000-9929-02	5.00
8		Consult....Grommet, with diaphragm	2.....	021-1481-08.....	3.00
9		Consult....Heater, thermostat, PTC	1.....	112-6673-06.....	58.00
10		Consult....Thermostat assy.....	1.....	076-9765-06.....	66.00
11		Consult....Harness, C7, fan heater.....	1.....	073-7256-44.....	25.00
13		Consult....Accessory, fastener, edge saddle.....	1.....	064-0360-05.....	2.00
14		Consult....Accessory, band, tie	2.....	059-8213-07	4.00
15		Consult....Fan filter	1.....	012-2136-04.....	35.00
16		Consult....Cover, roll, side	1.....	076-9989-12.....	35.00



THIS DIAGRAM INDICATES LEFT SIDE UNIT.
AS FOR RIGHT SIDE UNIT, OUTPUT DIRECTION FOR PARTS 11 IS DIFFERENT.
PARTS 15 IS TO BE OPPOSITE SIDE.

WM-4000

Fan Heater Unit, Left



(Fan Heater Unit, Left)

REF #	PART #	DESCRIPTION	QTY	SYNONYM	PRICE
1	Consult....	Bracket, heater, fan	1.....	076-9986-11	\$19.00
3	Consult....	Chassis, heater, fan	1.....	076-9991-20	72.00
4	Consult....	Holder, heater	2.....	038-3913-07	24.00
5	Consult....	Holder, heater, harness	1.....	090-0918-01	8.00
6	52611.....	Fan	1.....	017-5829-09	82.00
7	Consult....	Accessory, clamp, CKN clamp	2.....	000-9929-02	5.00
8	Consult....	Grommet with diaphragm	2.....	021-1481-08	3.00
9	Consult....	Heater, thermostat, PTC	1.....	112-6673-06	58.00
10	Consult....	Thermostat assy	1.....	076-9765-06	66.00
11	Consult....	Harness, C7, fan heater	1.....	073-7256-44	25.00
13	Consult....	Accessory, fastener, edge saddle	1.....	064-0360-05	2.00
14	Consult....	Accessory, band, tie	2.....	059-8213-07	4.00
15	168011.....	Fan filter	1.....	012-2136-04	26.00
16	Consult....	Cover, roll, side	1.....	076-9990-17	35.00

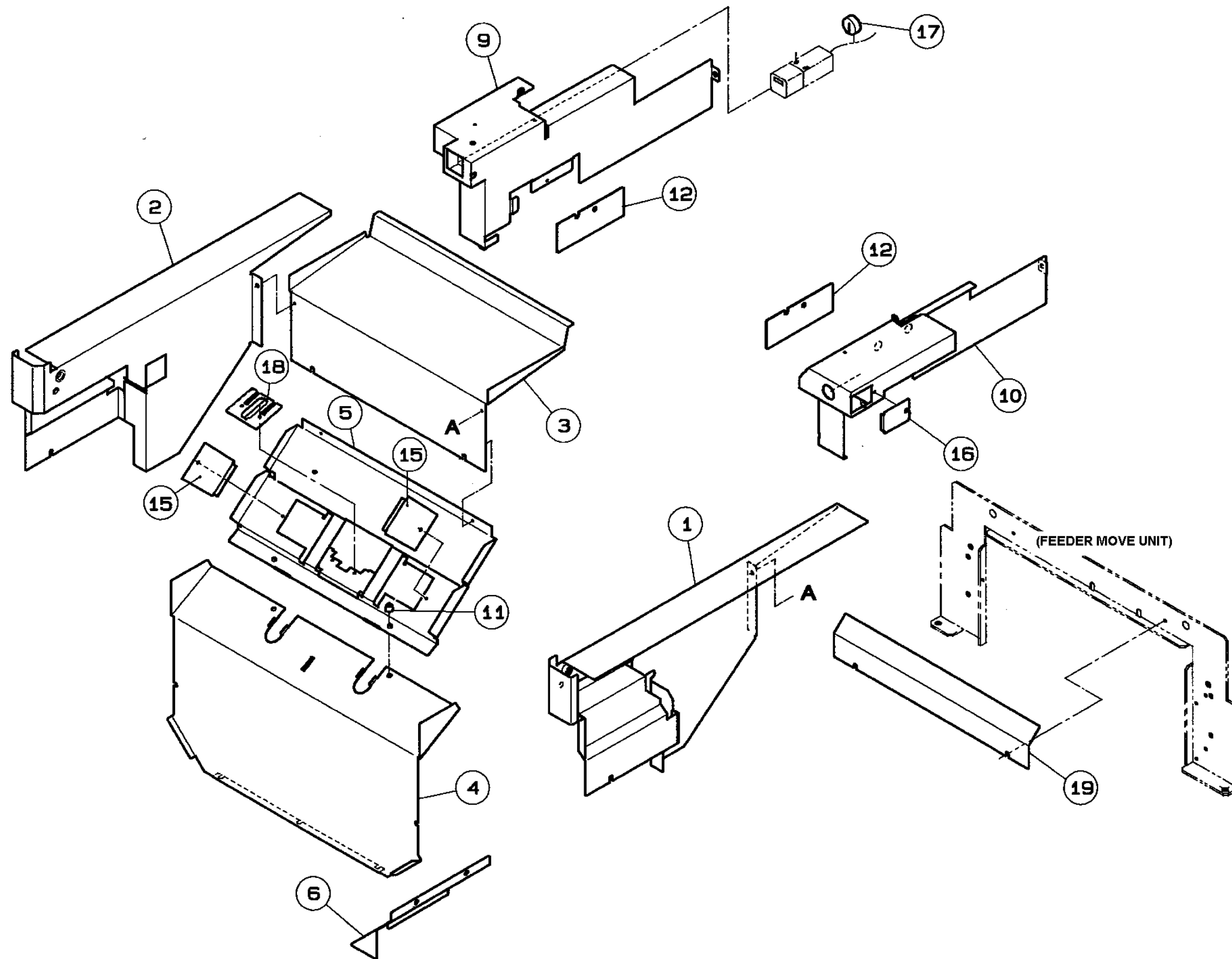
WM-4000

Inside Cover Unit



(Inside Cover Unit)

REF #	PART #	DESCRIPTION	QTY	SYNONYM	PRICE
1		Consult.... Cover, lift, side R.....	1	098-8136-11	\$120.00
2		Consult.... Cover, lift, side L.....	1	098-8189-28	134.00
3		Consult.... Cover, lift, rear	1	101-1505-09	79.00
4		Consult.... Cover, lift, drive	1	101-1523-24	120.00
5		Consult.... Cover, lift, lower	1	101-1528-13	69.00
6		Consult.... Cover, inside, R	1	090-0763-01	27.00
9		Consult.... Cover, front, wrapper L.....	1	079-1189-21	93.00
10		Consult.... Cover, front, wrapper R	1	079-1188-28	88.00
11		Consult.... Rubber pad	2	000-3960-07	1.00
12		Consult.... Plate A, wrapper, inside	2	078-0923-00	14.00
15		Consult.... Cover, adjust	2	079-3499-14	3.00
16		Consult.... L plate B, cover, lock	1	072-2356-01	5.00
17		Consult.... Cap, harness, switch.....	5	091-0707-09	2.00
18		Consult.... Cover, lift, change.....	1	098-3271-04	58.00
19		Consult.... Cover, rear, upper	1	098-8188-06	65.00
--		41732..... Screw, cover, SUS, M4x6			1.50



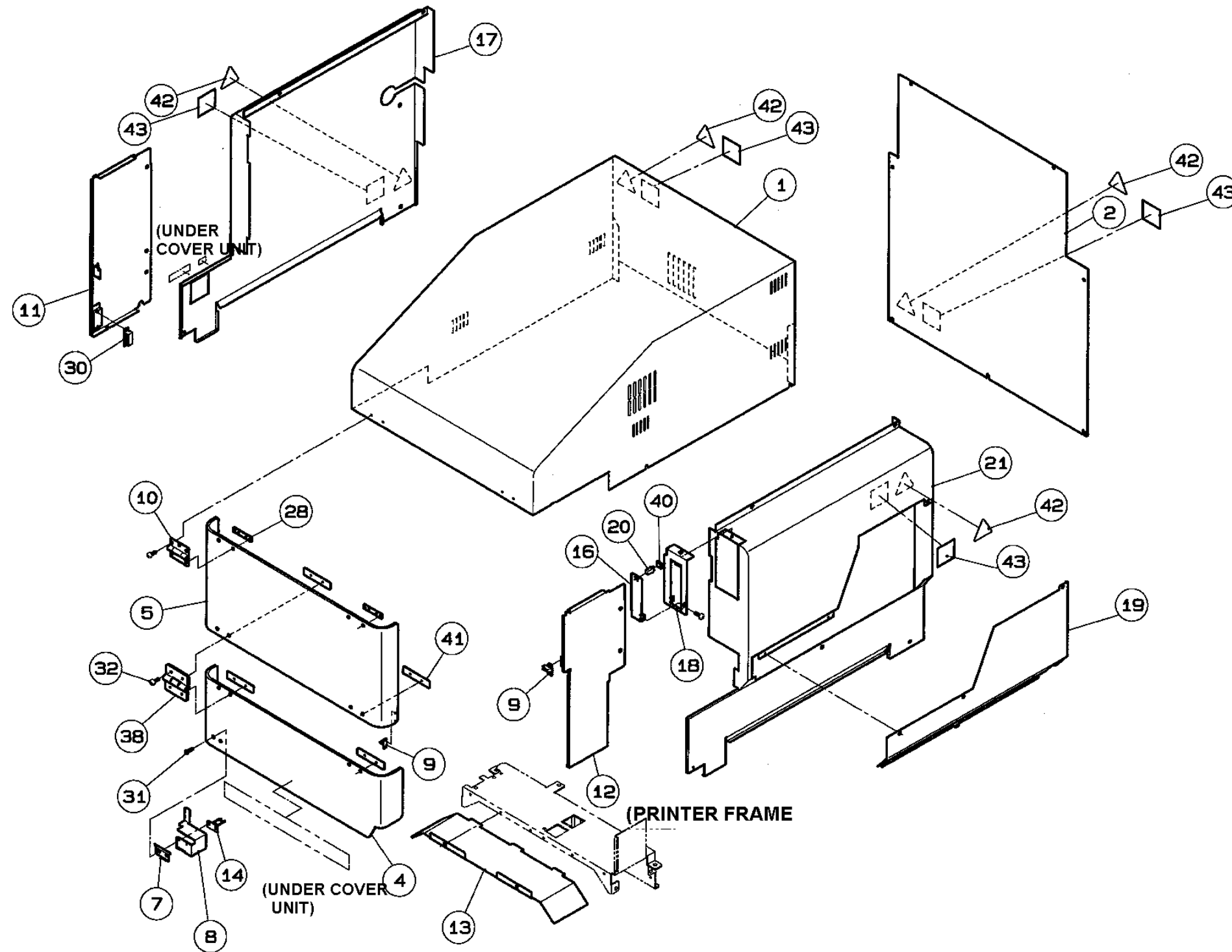
WM-4000

Upper Cover Unit



(Upper Cover Unit)

REF #	PART #	DESCRIPTION	QTY	SYNONYM	PRICE
1		Consult.... Cover, applicator, upper.....	1.....	108-0243-01	Consult
2		Consult.... Cover, applicator, rear.....	1.....	078-0925-16.....	Consult
4		Consult.... Door, front, lower	1.....	078-0913-30.....	Consult
5		Consult.... Door, front, upper	1.....	078-0914-24.....	Consult
7	132547....	Spring, key, door	1.....	070-1332-22.....	\$24.00
8	156699....	Bracket, key, door	1.....	070-1331-47.....	12.00
9	120603....	Catch PRA catch.....	2.....	070-5322-01.....	1.00
10	120605....	Hinge, adjuster	2.....	079-1231-07.....	28.00
11		Consult.... Cover, applicator, side, L	1.....	078-0939-27.....	Consult
12		Consult.... Cover, applicator, side, R.....	1.....	078-0938-23.....	48.00
13		Consult.... Cover, wiring, printer.....	1.....	079-3175-18.....	28.00
14	159594....	Switch, actuator, L type	1.....	072-5960-02.....	6.00
16		Consult.... Door, PC card.....	1.....	078-0927-04.....	25.00
17		Consult.... Cover, power supply.....	1.....	078-0917-43.....	180.00
18		Consult.... Cover, console, front.....	1.....	078-0926-10.....	17.00
19		Consult.... Cover, connector	1.....	078-0928-35.....	58.00
20		Consult.... Catch, mini ratch	1.....	070-1254-07.....	6.00
21		Consult.... Cover, console, R	1.....	079-1222-40.....	184.00
28	120607....	Plate A, guide, door.....	2.....	078-0915-28.....	5.00
30	168080....	Catch, magnet.....	1.....	053-8534-09.....	8.00
31	159593....	Screw, cross flat	2.....	076-1839-09.....	1.00
32		Consult.... Screw, cross pan head	14.....	076-1838-05.....	1.00
38	120606....	Hinge adjust	2.....	070-5323-05.....	42.00
40		Consult.... Spacer	1.....	091-2122-08.....	1.00
41	120608....	Plate A, guide door.....	4.....	073-7042-17.....	4.00
42		Consult.... Name plate, lightning mark	4.....	002-9793-17.....	3.00
43		Consult.... Name plate, junction.....	4.....	090-0877-01.....	41.00
999		Consult.... Screw, cross pan head	6.....	001-6802-00.....	1.00
--	41732....	Screw, cover, SUS, M4x6			1.50



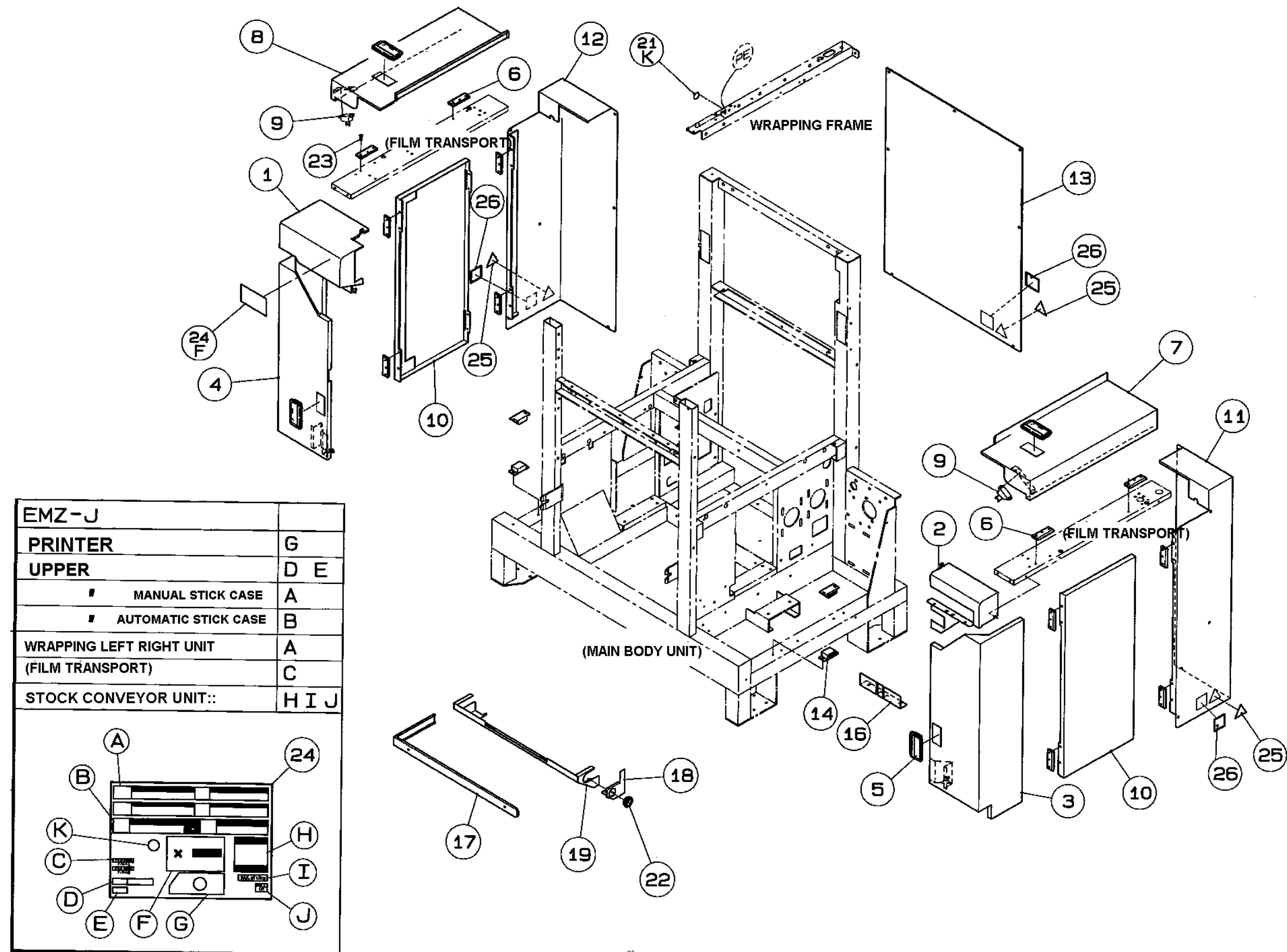
WM-4000

Under Cover Unit



(Under Cover Unit)

REF #	PART #	DESCRIPTION	QTY	SYNONYM	PRICE
1	Consult....	Cover, motor	1	076-1983-21	\$167.00
2	Consult....	Cover, stock	1	076-1991-21	104.00
3	Consult....	Door, roll set	1	078-0911-51	169.00
4	Consult....	Door, film piece clean	1	078-0912-54	169.00
5	Consult....	Lug, handle insert	4	073-5832-06	4.00
6	Consult....	Hinge.....	12	079-1230-03	5.00
7	Consult....	Door, film piece clean	1	078-0908-59	118.00
8	Consult....	Door, film piece clean	1	078-0909-52	118.00
9	70125.....	Switch, actuator, moveable.....	2	072-2365-05	39.00
10	Consult....	Cover, main body, side	2	078-0903-32	120.00
11	Consult....	Cover, main body, rear side	1	078-0905-67	148.00
12	Consult....	Cover, main body, rear side	1	078-0906-61	148.00
13	Consult....	Cover, main body, rear.....	1	078-0922-06	104.00
14	Consult....	Catch, magnet.....	4	079-1224-01	12.00
16	Consult....	Cover, sensor, fold.....	1	076-2000-14	16.00
17	Consult....	Cover, conveyor, front.....	1	076-1980-20	82.00
18	Consult....	Cover, wiring.....	1	076-1987-25	15.00
19	Consult....	Cover, conveyor, lower.....	1	113-7214-01	207.00
22	Consult....	Accessory, bush, open lock.....	1	003-3135-02	2.00
23	Consult....	Screw, cross flat	48	090-5041-03	1.00
24	Consult....	Seal, set, wrapper	1	106-6699-49	158.00
25	Consult....	Name plate, lightning mark	3	002-9793-17	3.00
26	Consult....	Name plate, junction.....	4	090-0877-01	41.00
--	41732.....	Screw, cover, SUS, M4x6			1.50



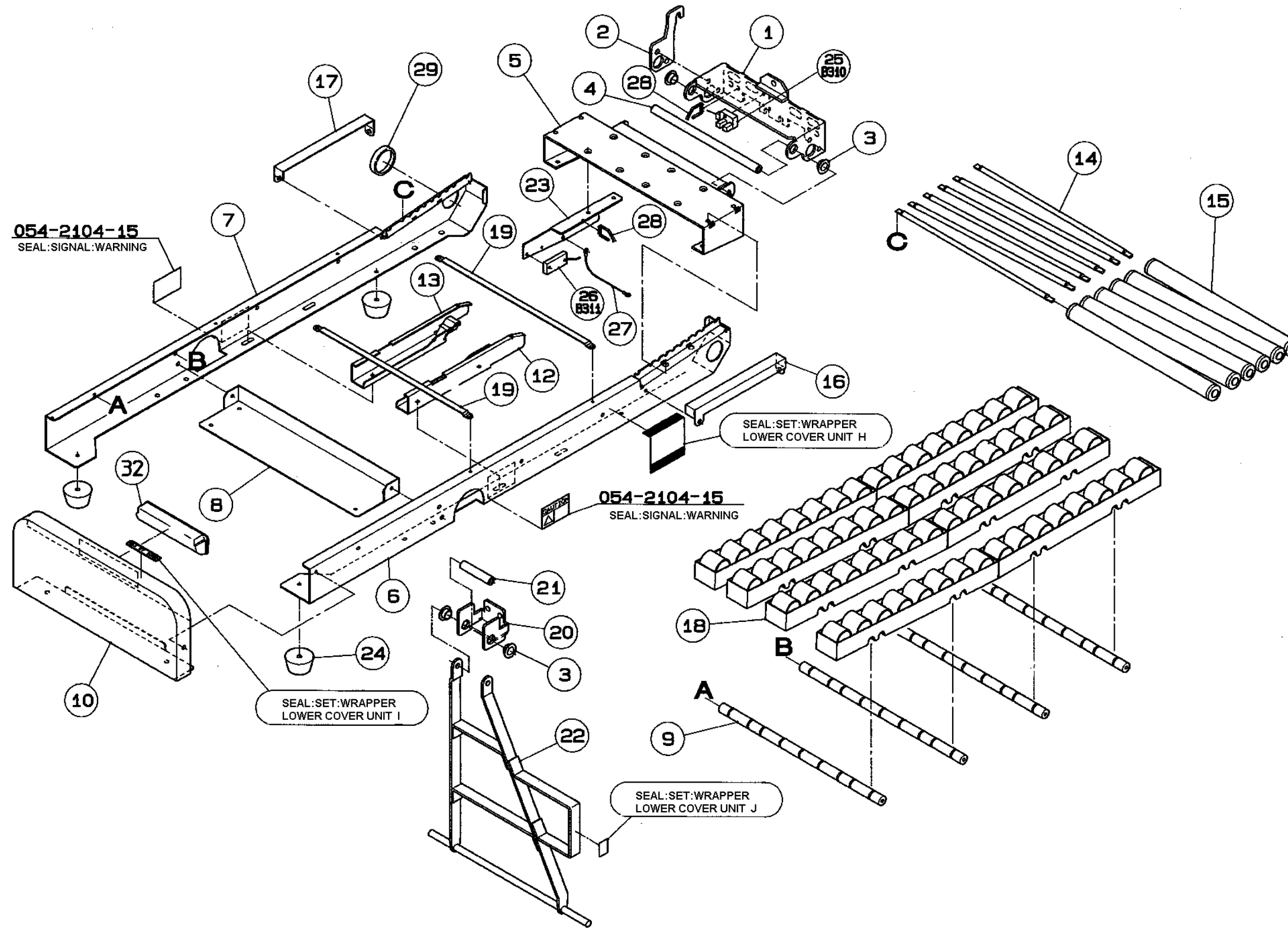
WM-4000

Stock Cover Unit



(Stock Conveyor Unit)

REF #	PART #	DESCRIPTION	QTY	SYNONYM	PRICE
1	Consult....	Bracket, stock.....	1.....	076-1725-26.....	\$71.00
2	Consult....	Supporter, stock.....	1.....	076-1722-25.....	17.00
3	Consult....	Bush.....	4.....	030-2991-06.....	2.00
4	Consult....	Shaft, stock, fulcrum.....	1.....	076-1723-01.....	12.00
5	Consult....	Stay, stock.....	1.....	076-1724-31.....	90.00
6	Consult....	Frame, stock.....	1.....	076-1743-32.....	109.00
7	Consult....	Frame, stock.....	1.....	076-1744-36.....	109.00
8	Consult....	Stay, stock, lower.....	1.....	076-1737-21.....	35.00
9	Consult....	Shaft, stock.....	4.....	076-1746-15.....	19.00
10	156690....	Stopper, tray.....	1.....	076-1733-26.....	98.00
12	Consult....	Adjuster, stock.....	1.....	076-1735-23.....	52.00
13	Consult....	Adjuster, stock.....	1.....	076-1736-27.....	52.00
14	Consult....	Shaft.....	6.....	076-7814-08.....	16.00
15	Consult....	Roller, scale.....	6.....	037-7887-10.....	41.00
16	Consult....	Cover, roller, stock.....	1.....	077-4522-16.....	17.00
17	Consult....	Cover, roller, stock.....	1.....	077-4523-10.....	17.00
18	157862....	Roller.....	8.....	001-5308-02.....	38.00
19	Consult....	Holder, roller.....	2.....	076-1745-21.....	15.00
20	Consult....	Bracket, stopper, fulcrum.....	1.....	076-1721-12.....	27.00
21	Consult....	Shaft, stopper, fulcrum.....	1.....	076-1720-00.....	9.00
22	Consult....	Stopper, stock.....	1.....	076-1719-23.....	109.00
23	Consult....	Bracket, sensor.....	1.....	076-1739-28.....	17.00
24	Consult....	Rubber pad, with washer.....	3.....	062-7341-05.....	2.00
25	157856....	Photo interruptor, trans (conveyor down).....	1.....	070-5205-18.....	11.00
26	72407.....	Sensor assy (conveyor full).....	1.....	076-9523-11.....	164.00
27	Consult....	Harness, S2, ground.....	1.....	076-9602-11.....	4.00
28	Consult....	Accessory, clamp, LWS clamp.....	2.....	073-7212-04.....	1.00
29	Consult....	Accessory, bush, open lock.....	1.....	003-3135-02.....	2.00
32	Consult....	Lug, handle insert.....	1.....	076-9693-01.....	3.00
33	Consult....	Seal, signal, caution.....	2.....	054-2104-15.....	2.00



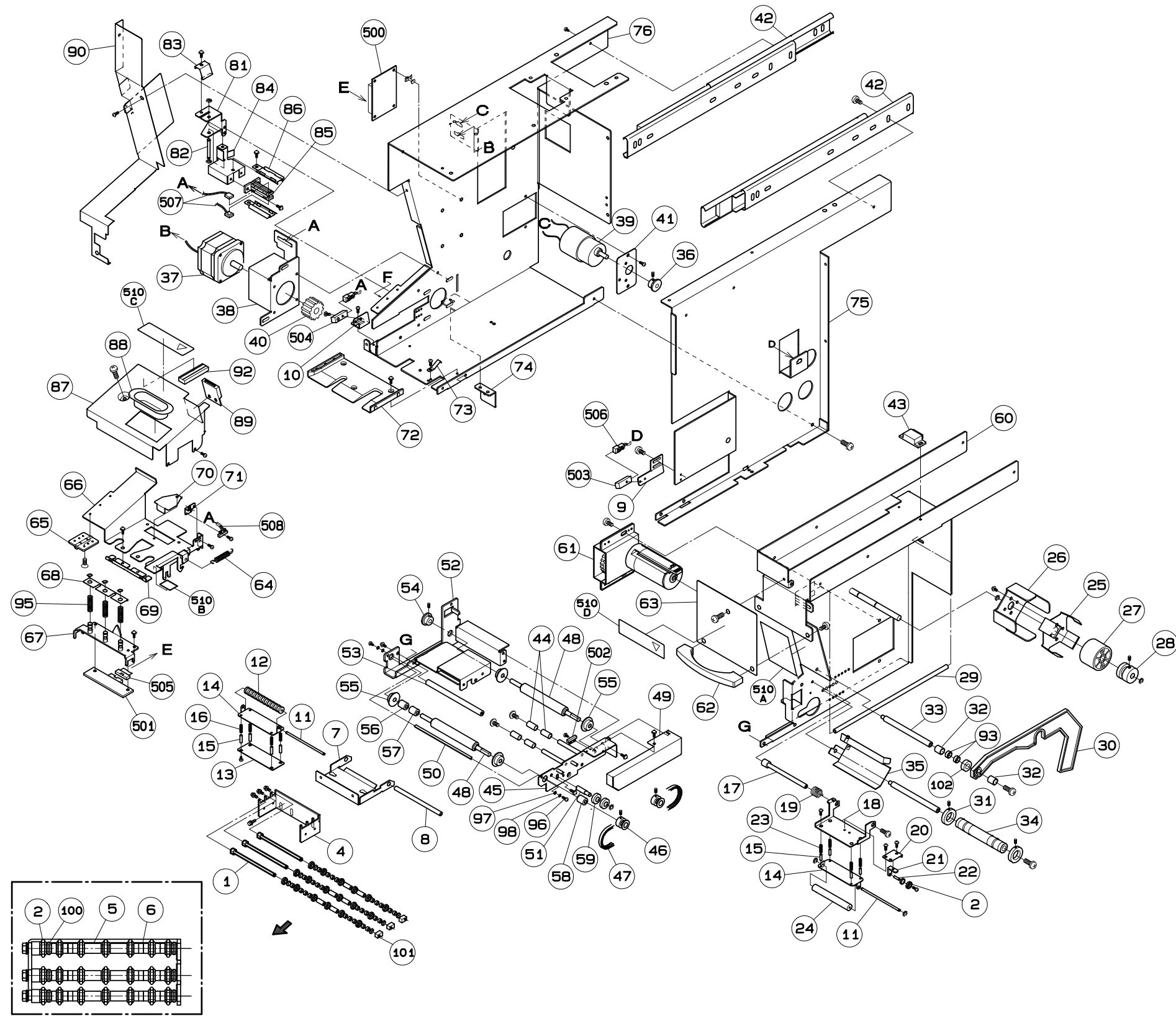
WM-4000

Printer Unit



(Printer Unit)

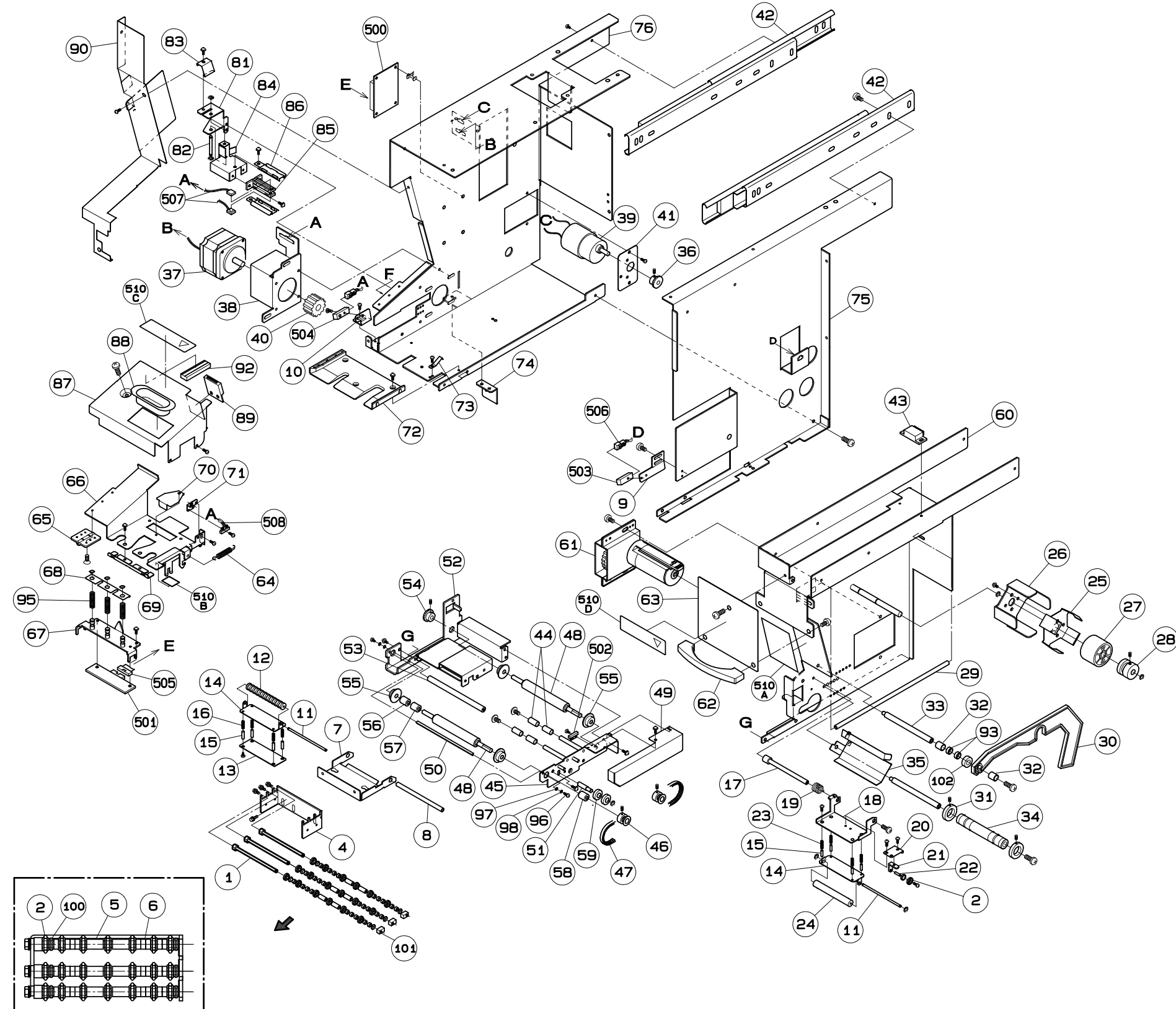
REF #	PART #	DESCRIPTION	QTY	SYNONYM	PRICE
1	157915	Shaft, step type	3	091-8678-03	\$10.00
2	157891	Roller, label, hold assy	21	079-8591-03	2.00
4	Consult	Frame, hold, long	1	106-6651-13	85.00
5	157916	Collar	6	091-8682-18	4.00
6	157917	Collar	27	077-4891-20	4.00
7	Consult	Frame, hold	1	078-0812-19	8.00
8	Consult	Shaft, stock	1	070-9860-21	7.00
9	Consult	Bracket, sensor, R	1	078-0813-03	4.00
10	Consult	Bracket, sensor, L	1	078-0816-04	3.00
11	Consult	Shaft, roller, assist	2	044-3821-17	6.00
12	110525	Roller, assist	1	060-8956-04	32.00
13	Consult	Plate A, holder	1	072-5075-06	5.00
14	Consult	Bracket, assist	2	078-0818-01	3.00
15	Consult	Collar spacer	8	059-4384-06	1.00
16	Consult	Spring, coil, compressive	4	072-8615-17	4.00
17	Consult	Shaft, assist	1	078-0819-05	10.00
18	Consult	Bracket, assist, upper	1	078-0820-19	5.00
19	Consult	Spring, coil	1	078-0821-12	4.00
20	Consult	L plate A	1	078-0822-07	2.00
21	Consult	L plate A, press	1	078-0823-01	2.00
22	Consult	Collar spacer	1	027-6196-08	1.00
23	Consult	Spring, coil, compressive	4	072-5278-14	4.00
24	Consult	Roller, assist	1	069-4967-06	16.00
25	Consult	Spring, plate	1	075-5774-08	9.00
26	Consult	Guide, printer, cassette	1	075-5709-05	9.00
27	Consult	Roller, pole	1	011-0853-07	5.00
28	Consult	Collar, step	1	076-7629-05	12.00
29	Consult	Shaft guide, label	1	078-0824-04	9.00
30	Consult	Guide, label	1	078-0987-17	5.00
31	Consult	Guide, label	2	068-5048-46	7.00
32	Consult	Collar spacer	2	005-4287-03	1.00
33	Consult	Shaft label	2	078-0825-08	6.00
34	Consult	Roller guide	1	078-0991-03	3.00
35	Consult	Bracket, guide, label	1	078-0826-11	5.00
36	Consult	Gear, flat	1	076-1780-03	6.00
37	153085	Motor assy, stepping	1	092-8406-04	67.00
38	Consult	Bracket, motor	1	078-0827-23	18.00
39	Consult	Motor assy, reel	1	072-5467-21	85.00
40	153086	Gear, flat	1	047-0630-04	7.00
41	Consult	Plate A, motor, DC	1	078-0828-09	2.00
42	Consult	Rail, slide	2	076-7658-03	35.00
43	Consult	Catch, magnet	1	079-1224-01	12.00
44	Consult	Collar, label	4	079-8952-04	2.00
45	Consult	Bracket, plate, R	1	090-5240-26	24.00
46	Consult	Timing pulley, S3M, C	2	073-7220-04	20.00
47	125887	Timing belt, S3M	1	068-5306-01	10.00
48	115144	Roller, print	2	075-1288-00	18.00
49	Consult	Cover, belt	1	078-0830-43	6.00
50	Consult	Shaft, peel	1	090-5345-05	14.00
51	Consult	Shaft, idler	1	078-0831-10	7.00
52	Consult	Bracket, plate L, assy	1	078-0832-04	35.00
53	Consult	Shaft, stock	1	070-9862-38	7.00
54	Consult	Gear, flat	1	076-1778-05	18.00
55	93355	Bush	4	064-0201-24	4.00





(Printer Unit)

REF #	PART #	DESCRIPTION	QTY	SYNONYM	PRICE
56	Consult....	Bush.....	1075-1324-01\$4.00
57	Consult....	Bush.....	1075-1325-044.00
58	Consult....	Bush.....	1075-1321-004.00
59	Consult....	Bearing, radial	2065-6920-003.00
60	Consult....	Frame, printer	1079-1006-51139.00
61	126451....	Reel unit assy	1072-5283-0477.00
62	Consult....	Lug.....	1048-3935-088.00
63	Consult....	Cover, front	1078-0837-215.00
64	Consult....	Spring, coil, compressive	1079-1005-205.00
65	Consult....	Hinge.....	1013-9941-0921.00
66	169768....	Bracket assy, printer	1078-0997-4122.00
67	Consult....	Bracket, printer, thermal	1078-0996-2016.00
68	Consult....	L plate A, spring, support	1078-0994-043.00
69	Consult....	Stay, head, thermal	1078-0993-293.00
70	Consult....	Plate B, press head	1078-0992-165.00
71	Consult....	Bracket, switch, head	1078-0836-094.00
72	Consult....	Guide, printer, lower	1078-0986-046.00
73	Consult....	Crank plate A, spring	1091-2164-043.00
74	Consult....	L plate, printer, lower	2076-1951-032.00
75	Consult....	Frame, printer, R	1078-0839-28118.00
76	Consult....	Frame, printer, L	1078-0843-32156.00
81	167123....	Bracket, printer, sensor	1079-1226-174.00
82	167124....	Shaft	1072-5079-294.00
83	167125....	Spring, plate	1079-1227-018.00
84	167126....	Bracket, sensor	1072-5086-436.00
85	167127....	Holder, sensor	1076-1988-012.00
86	167128....	Cover, sensor	2078-0984-163.00
87	Consult....	Cover, head	1078-0840-3120.00
88	Consult....	Lug.....	1073-5832-064.00
89	159595....	Catch, magnet	1072-8605-014.00
90	Consult....	Cover, side	1078-0841-3548.00
92	Consult....	Gasket.....	1065-1825-013.00
93	Consult....	Collar spacer	2041-1695-061.00
95	Consult....	Spring, coil, compressive	3072-8616-014.00
96	Consult....	Screw, cross pan head	2090-5431-021.00
97	Consult....	Plain washer	2090-5432-061.00
98	Consult....	Spring washer	2090-5433-001.00
100	Consult....	Collar B	6079-8972-0910.00
101	Consult....	Block A, assist	3091-8679-076.00
102	Consult....	Collar A	1095-9235-0013.00
500	98652....	PWB, P-925, -1	1068-9930-1939.00
501	87531....	Printer, thermal	1094-0086-01225.00
502	105979....	Magnet, green, head up proximity switch	1067-2609-0115.00
503	87534....	Photo interruptor, trans	1064-5587-0110.50
504	87535....	Photo interruptor, trans, receive	1066-4500-0910.50
505	112867....	Harness, C2; thermal head	1071-4583-3852.00
506	132029....	Harness, C2, sensor junction	1071-4549-314.00
507	102190....	Sensor assy	1098-8086-0027.00
508	105978....	Sensor assy, head up	1098-8087-1225.00
510	Consult....	Sheet, set, printer	1106-6698-0948.00



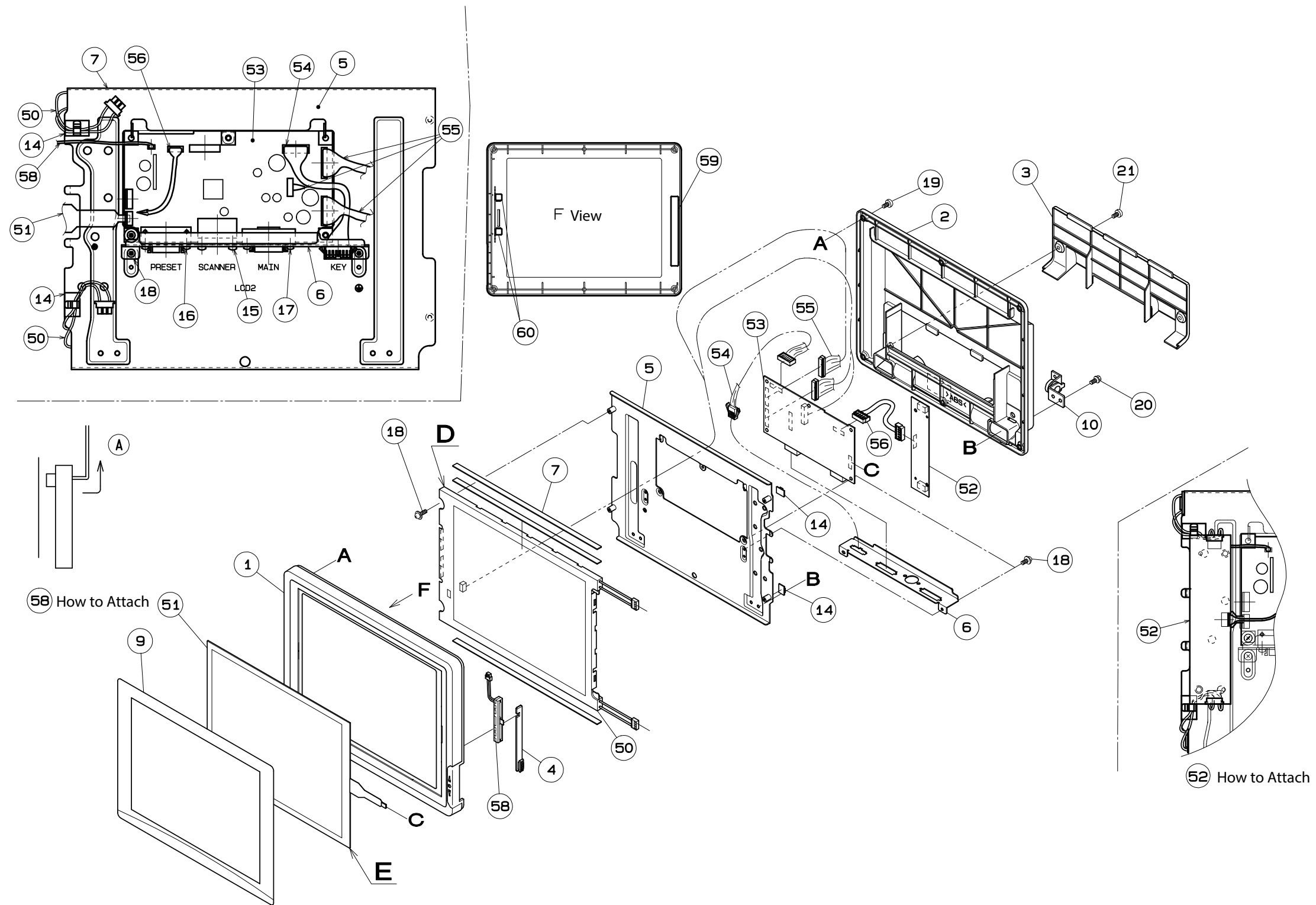
WM-4000

Display Unit



(Display Unit)

REF #	PART #	DESCRIPTION	QTY	SYNONYM	PRICE
1	Consult....	Case, controller, front.....	1.....	.091-2133-09.....	\$9.00
2	Consult....	Case assy, controller, rear.....	1.....	.098-8224-07.....	11.00
3	Consult....	Cover, connector.....	1.....	.070-3082-01.....	5.00
4	Consult....	Cover, volume.....	1.....	.070-3083-04.....	2.00
5	Consult....	Frame, controller.....	1.....	.098-3213-08.....	22.00
6	Consult....	Bracket, connector, operation.....	1.....	.074-7213-05.....	6.00
7	Consult....	Sheet.....	3.....	.074-7467-04.....	3.00
9	Consult....	Sheet, display.....	1.....	.106-6702-01.....	99.00
10	Consult....	Hinge, torque.....	2.....	.072-8703-02.....	27.00
14	Consult....	Accessory, clamp, wire.....	2.....	.022-7035-09.....	3.00
15	48233.....	Screw, cross pan head.....	2.....	.000-0069-07.....	1.25
16	Consult....	Screw, cross pan head.....	2.....	.002-5338-01.....	1.00
17	Consult....	Screw, cross pan head.....	8.....	.072-8769-08.....	1.00
18	Consult....	Screw, cross pan head, BWA S2P2.....	6.....	.000-0321-06.....	1.00
19	Consult....	Tapping screw, cross pan, P.....	4.....	.072-8766-07.....	1.00
20	Consult....	Cross head, set screw S2P2.....	2.....	.014-3997-02.....	1.00
21	Consult....	Tapping screw, cross pan head.....	1.....	.072-8768-04.....	1.00
50	98408.....	Display, liquid crystal, TFT.....	1.....	.101-1855-02.....	661.00
51	98402.....	Touch pane, analog.....	1.....	.069-6657-18.....	121.00
52	Consult....	Inverter.....	1.....	.098-8337-04.....	65.00
53	104766....	PWB, P-917, B-2.....	1.....	.098-8264-24.....	359.00
54	Consult....	Harness, C2, key junction.....	1.....	.069-6731-20.....	12.00
55	Consult....	Harness, C4, TFT.....	1.....	.098-3156-27.....	65.00
56	Consult....	Harness, C2, inverter.....	1.....	.098-3155-14.....	10.00
58	Consult....	Volume assy, brightness.....	1.....	.098-8130-01.....	18.00
59	Consult....	Plate, spacer.....	1.....	.098-3464-06.....	4.00
60	Consult....	Plate, spacer.....	2.....	.098-3465-19.....	3.00



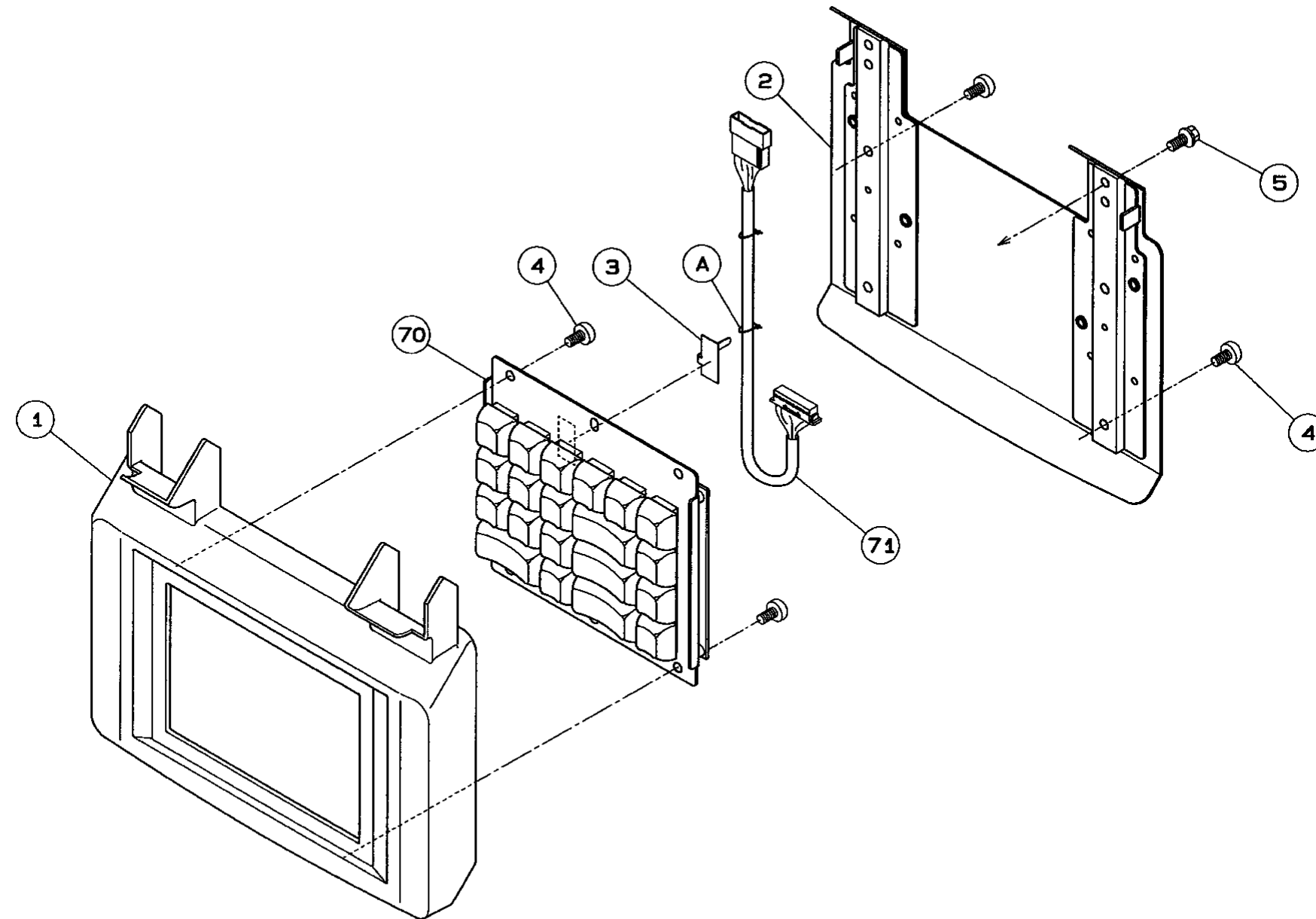
WM-4000

Key Unit



(Key Unit)

REF #	PART #	DESCRIPTION	QTY	SYNONYM	PRICE
1		Consult....Case, key, front.....	1	070-3084-08.....	\$6.00
2		Consult....Key rear assy.....	1	072-8744-32.....	30.00
3		Consult....Accessory, clamp, code sticker	1	002-5711-08.....	1.00
4		Consult....Tapping screw, plus pan, P tight	8	072-8767-01.....	1.00
5		Consult....Cross hex, set screw S2P2.....	4	014-3997-02.....	1.00
70	98407.....	Keyboard assy.....	1	108-0485-05.....	319.00
71		Consult....Harness, C2, ten key	1	069-6732-32.....	15.00
--	98400.....	Cover, 10-key, clear, adhesive.....			50.00



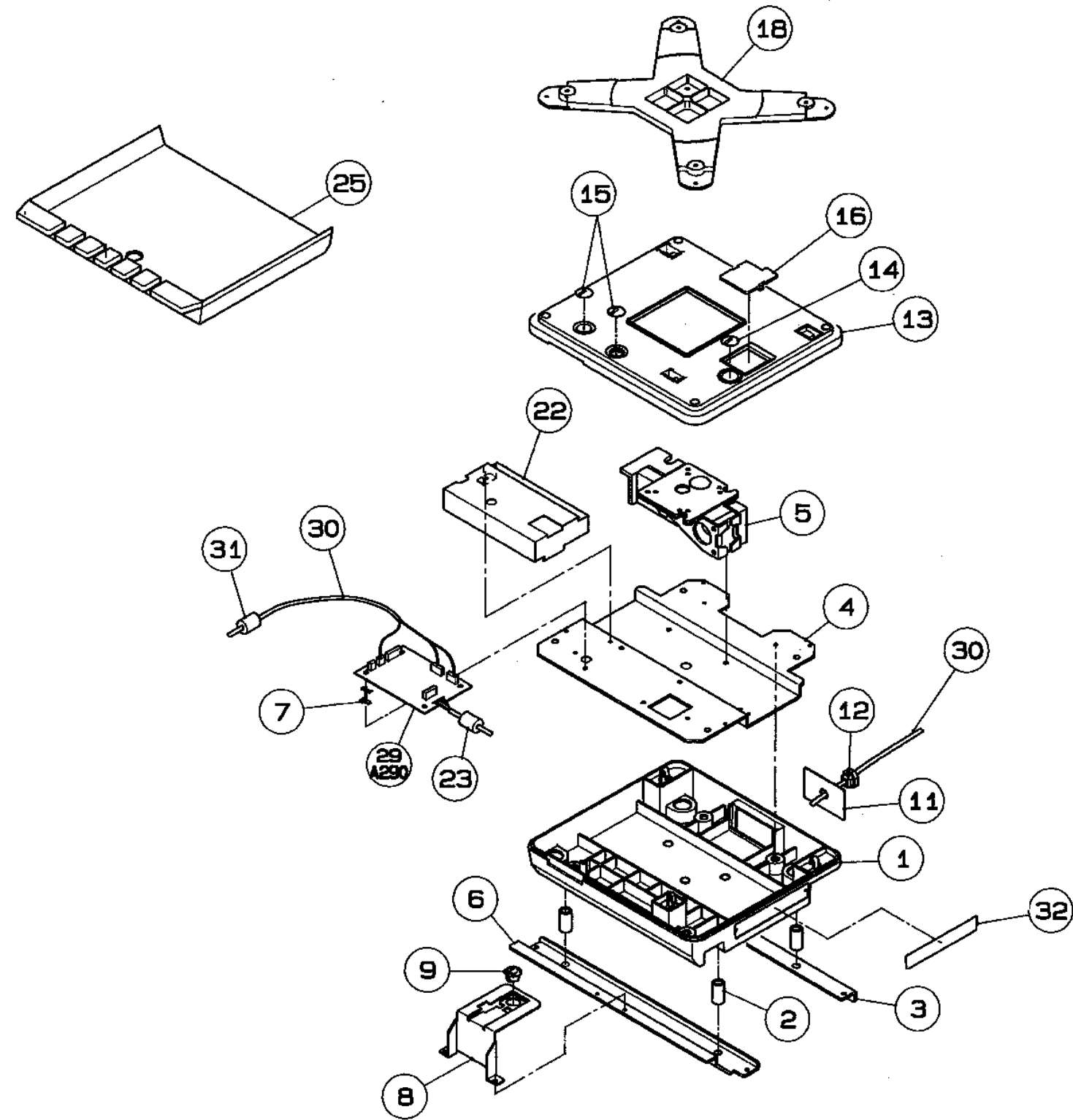
WM-4000

Weigh Scale Unit



(Weigh Scale Unit)

REF #	PART #	DESCRIPTION	QTY	SYNONYM	PRICE
1	Consult....	Case, scale, lower	1042-4923-03	\$69.00
2	Consult....	Collar	4076-9992-05	4.00
3	Consult....	Support weigh.....	1072-8825-12	16.00
4	Consult....	Base, weigh.....	1045-3530-01	31.00
5	47030.....	Load cell assy unit, CLC-25N	1047-3068-01	359.00
6	Consult....	Support, weigh, front	1073-7128-13	31.00
7	Consult....	PWB accessory, card spacer	1043-1633-00	5.00
8	Consult....	Bracket, level	1073-7200-19	27.00
9	Consult....	Level assy.....	1011-2854-08	17.00
11	Consult....	Plate B, back plate	1079-1295-14	2.00
12	Consult....	Accessory, bush, cable.....	1074-7145-05	2.00
13	Consult....	Case, scale, upper	1042-4922-19	45.00
14	78711.....	Seal	1046-2413-02	2.00
15	91178.....	Seal, rivet	2040-9585-01	9.00
16	Consult....	Case, scale, cover	1042-4918-22	9.00
18	Consult....	Platter.....	1040-6759-48	31.00
22	Consult....	Cover, circuit board, scale	1108-0293-07	66.00
23	Consult....	Filter, ferrite	1044-2730-09	8.00
25	157921....	Weigh platter assy	1090-0950-10	52.00
29	98401.....	PWB, P-930, A/D board	1070-3480-73	280.00
30	131364....	Harness, C4, scale communication	1071-4657-58	61.00
31	Consult....	Filter, ferrite core	1074-0771-01	9.00
32	Consult....	Name plate, specification.....	1106-6705-01	Consult



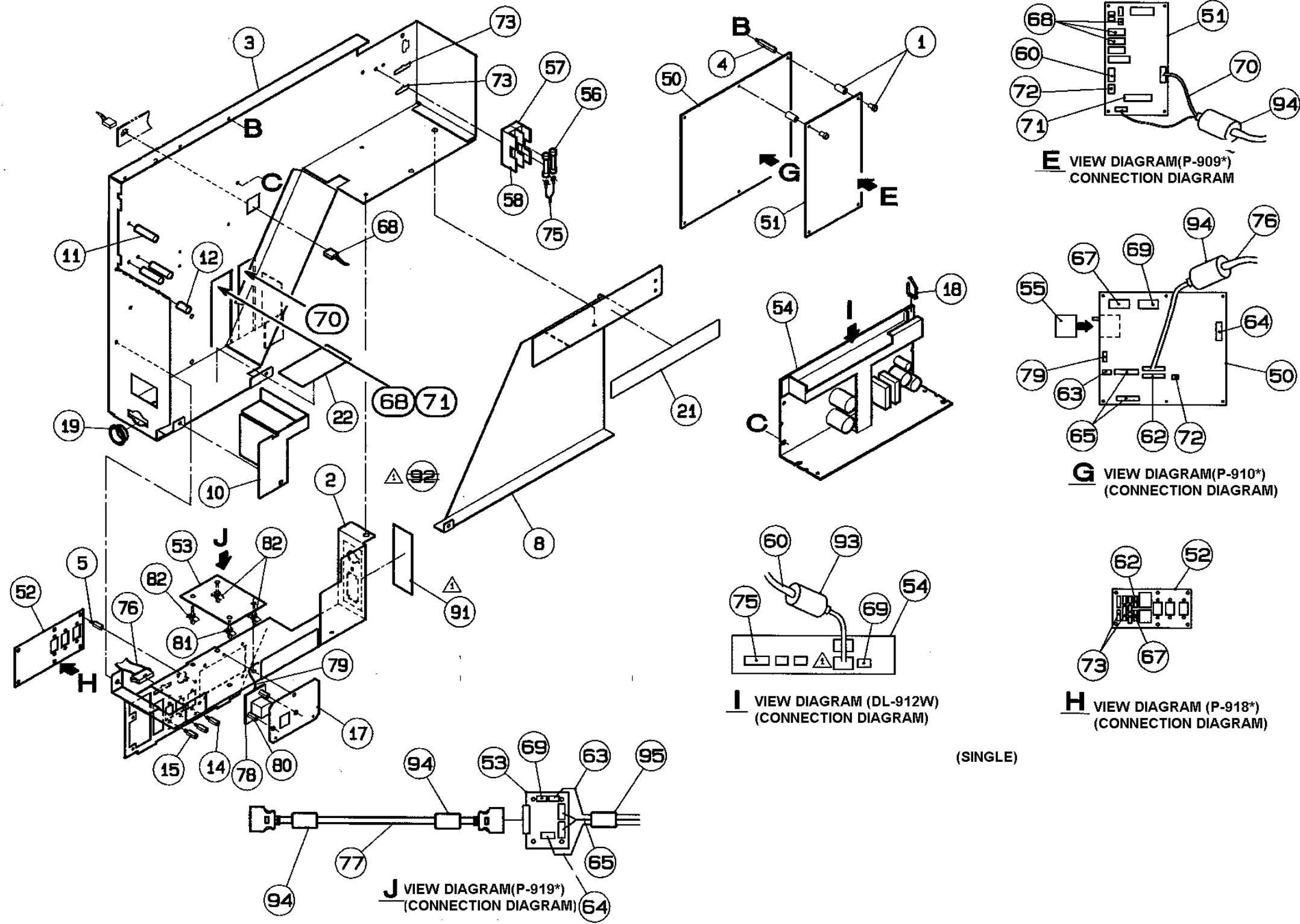
WM-4000

Control Unit Auto



(Control Unit Auto)

REF #	PART #	DESCRIPTION	QTY	SYNONYM	PRICE
1		Consult....PWB accessory, collar bush	4000-1845-04	\$1.00
2		Consult....Frame, console, lower	1079-8935-38	69.00
3		Consult....Frame, console.....	1079-8936-41	115.00
4		Consult....PWB accessory, spacer.....	8058-7652-08	2.00
5		Consult....PWB accessory, spacer.....	6073-7206-01	2.00
8		Consult....Cover, inside.....	1079-8934-07	23.00
10		Consult....Cover, connector.....	1070-5198-15	21.00
11		Consult....Collar spacer	3001-6812-07	1.00
12		Consult....Collar spacer	1000-7831-04	1.00
14		Consult....Connector, D sub, accessory.....	2070-9748-09	3.00
15		Consult....Connector, D sub, accessory.....	4070-9749-02	2.00
17		Consult....Plate A.....	1098-3314-10	4.00
18		Consult....Accessory, fastener, edge saddle.....	1064-0360-05	2.00
19	47015	Accessory, bush, open lock.....	1013-8916-01	2.25
21		Consult....Name plate, specification.....	1116-1932-01	0.00
22		Consult....Name plate, explanation, connect.....	1073-7113-09	4.00
50	98653	PWB, P-910, H-2, CPU board.....	1097-5687-37	893.00
51	98651	PWB, P-909, D-3, thermal printer board.....	1101-7737-08	218.00
52		Consult....PWB, P-918, A-1, connector board.....	1069-6884-17	166.00
53		Consult....PWB, P-919, B-3, display interface board	1101-1508-00	213.00
54	87521	Power supply, switching, DL-912W	1106-1434-04	307.00
56	99133	Fuse, glass tube	3017-5713-01	2.00
57	72857	Fuse holder, terminal type.....	1000-4119-04	9.00
58	72856	Fuse holder, terminal type.....	1040-2724-07	9.00
60		Consult....Harness, S2, PS 24V.....	1069-6683-15	11.00
62		Consult....Harness, C2, peripheral INT1.....	1069-4847-21	12.00
63		Consult....Harness, C2, inverter junction.....	1069-6689-26	5.00
64		Consult....Harness, S2, RS-232C.....	1069-6688-22	7.00
65		Consult....Harness, C4, LCD junction	1098-3157-30	26.00
67		Consult....Harness, C2, COMM.....	1069-4846-36	25.00
68		Consult....Harness, C5, sensor junction 2.....	1071-4550-62	27.00
69		Consult....Harness, C3, PS.....	1069-6685-31	14.00
70		Consult....Harness, C4, motor junction.....	1071-4553-36	20.00
71		Consult....Harness, S2, thermal head	1069-6673-54	88.00
72		Consult....Harness, S2, power junction.....	1063-8454-12	3.00
73		Consult....Harness, C5, RS-485	1070-9689-30	20.00
75		Consult....Harness, C3, PS AC.....	1069-6759-32	8.00
76		Consult....Harness, C2, scale	1090-0940-03	9.00
77		Consult....Harness, S2, operation.....	1074-0831-01	82.00
78		Consult....PWB, P-967, -1 ethernet board.....	1095-4469-06	21.00
79		Consult....Harness, S2, ethernet.....	1096-7500-07	12.00
80		Consult....PWB accessory, spacer.....	2064-1783-01	2.00
81		Consult....PWB accessory, card spacer.....	1043-1634-03	5.00
82	47027	PWB accessory, card spacer.....	3000-1796-05	1.00
91		Consult....SEAL, name plate.....	1072-8875-00	5.00
93		Consult....Filter, ferrite core	1103-4034-07	5.00
94		Consult....Filter, ferrite core	4074-0771-01	9.00
95		Consult....Filter, ferrite core	1096-9524-03	9.00



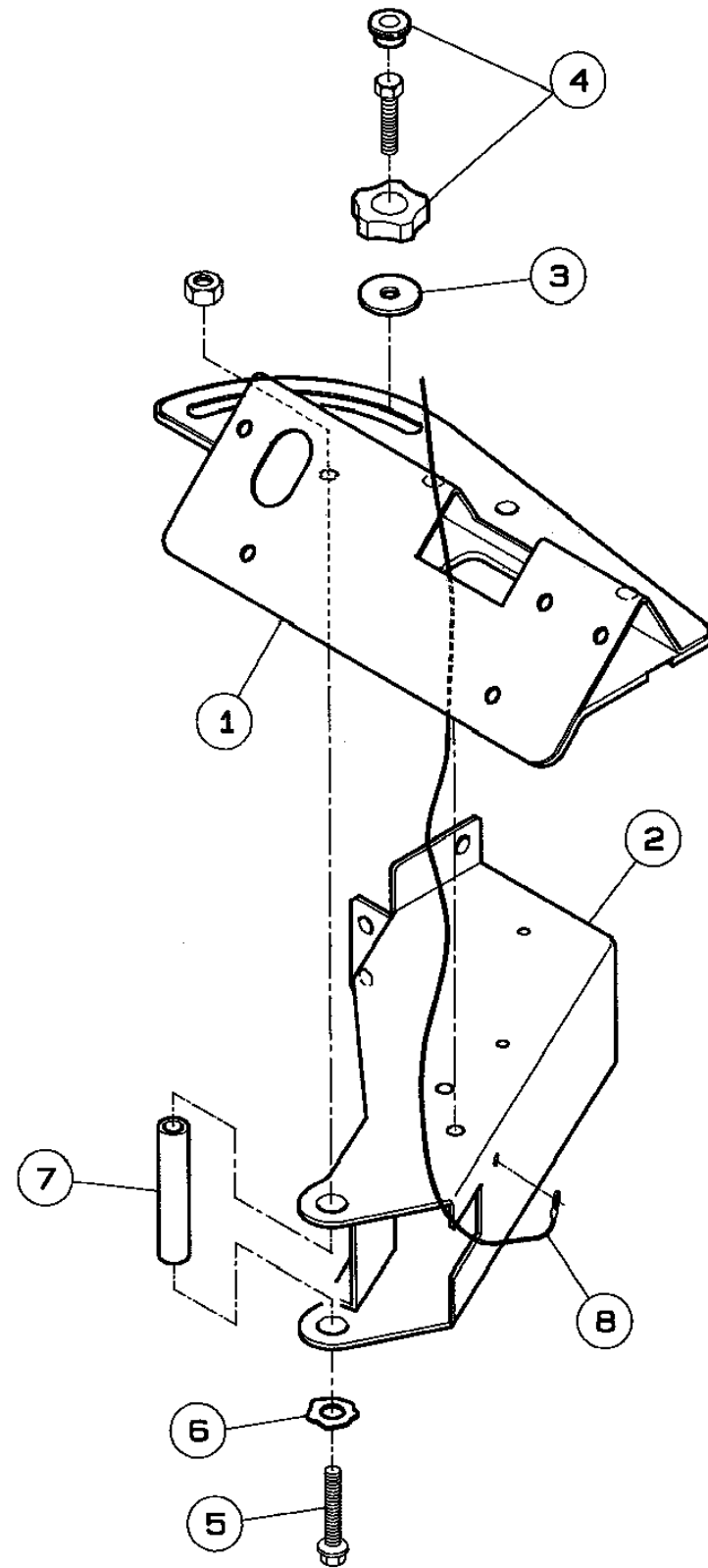
WM-4000

Connection Auto



(Connection Unit)

REF #	PART #	DESCRIPTION	QTY	SYNONYM	PRICE
1		Consult....Bracket rotation, console.....	1	090-0769-58.....	\$72.00
2		Consult....Stay console.....	1	090-0770-16.....	112.00
3		Consult....PlateA, round.....	1	069-4614-01.....	3.00
4	47159.....	Knob	1	000-1543-00.....	4.00
5		Consult....Hex bolt.....	1	002-2240-00.....	1.00
6		Consult....Wave washer.....	1	004-7621-08.....	1.00
7		Consult....Collar.....	1	072-2355-08.....	8.00
8		Consult....Harness, S2, ground	1	076-9602-11	4.00



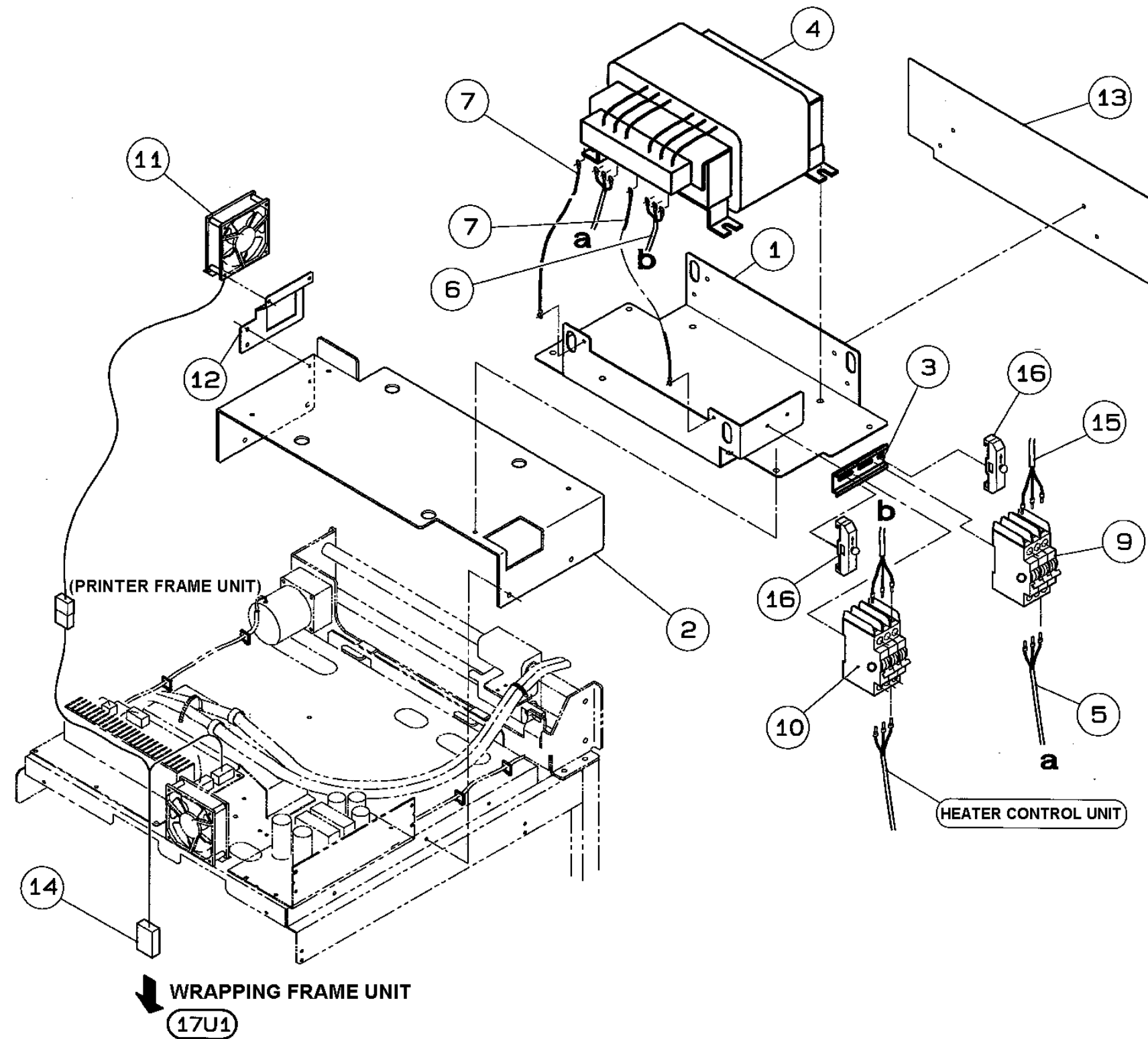
WM-4000

Transformer Unit



(Transformer Unit)

REF #	PART #	DESCRIPTION	QTY	SYNONYM	PRICE
1		Consult....Bracket, transformer, PS.....	1	117-3151-04	Consult
2		Consult....Base, transformer.....	1	103-3573-13	\$82.00
3		Consult....Rail, DIN.....	1	018-2824-07	9.00
4		Consult....Transformer, 3 PH.....	1	116-1836-07	1,456.00
5		Consult....Harness, C6, PS.....	1	117-3485-08	24.00
6		Consult....Harness, C6, PS.....	1	117-3486-01	22.00
7		Consult....Harness, S2, ground.....	2	053-8930-01	3.00
9		Consult....Breaker.....	1	117-3291-02	128.00
10		Consult....Breaker.....	1	117-3292-06	109.00
11		Consult....Fan assy.....	1	108-0398-04	79.00
12		Consult....Bracket, fan.....	1	108-0230-02	69.00
13		Consult....Plate B transformer.....	1	108-0244-04	69.00
14		Consult....Harness, C3, PS motor.....	1	108-3560-02	26.00
15		Consult....Harness, S6, power AC.....	1	117-3484-04	33.00
16		Consult....Accessory, attachment, terminal.....	2	061-1520-06	2.00



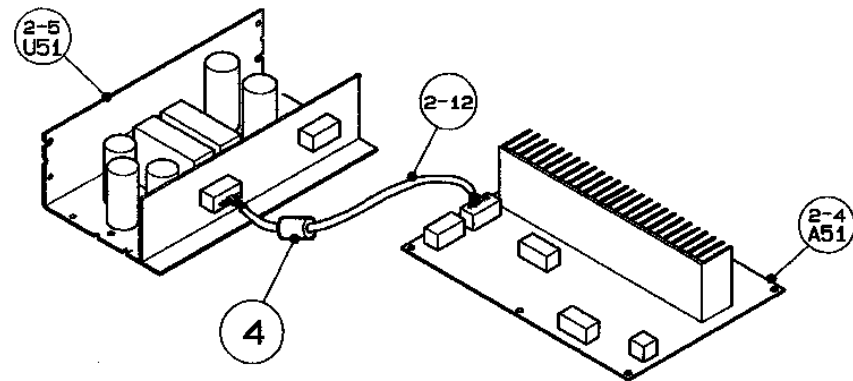
WM-4000

Noise Filter Unit

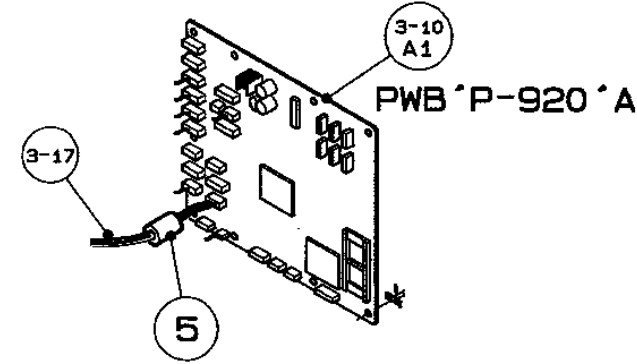


(Noise Filter Unit)

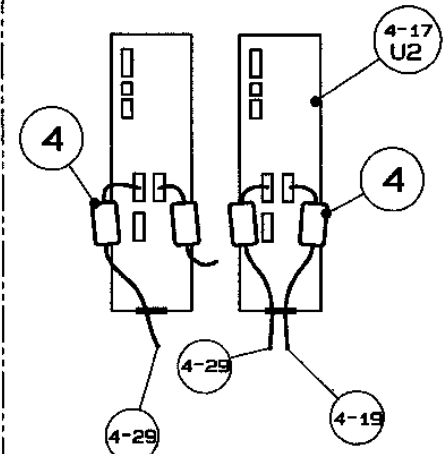
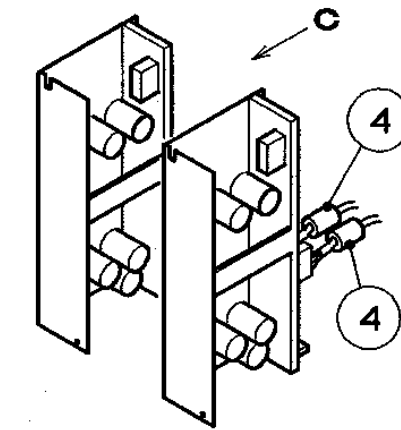
REF #	PART #	DESCRIPTION	QTY	SYNONYM	PRICE
1		Consult....Bracket, filter, noise	1.....	108-8165-11	\$65.00
2		Consult....Filter, noise	1.....	023-1640-08	213.00
3		Consult....PWB, P-859, -1	1.....	075-1429-08	52.00
4		Consult....Filter, ferrite core	5.....	103-4034-07	5.00
5		Consult....Filter, ferrite core	1.....	096-9524-03	9.00
7		Consult....Harness, C6, servo supply.....	1.....	108-8163-05	24.00
8		Consult....Harness, C3, servo power	1.....	108-8164-09	28.00
9		Consult....Harness, S2, ground	1.....	053-8930-01	3.00
10		Consult....Harness, S2, ground	1.....	052-9807-01	3.00



2 APPLICATOR UNIT::STABILITY FERRITE CORE INSTALLATION

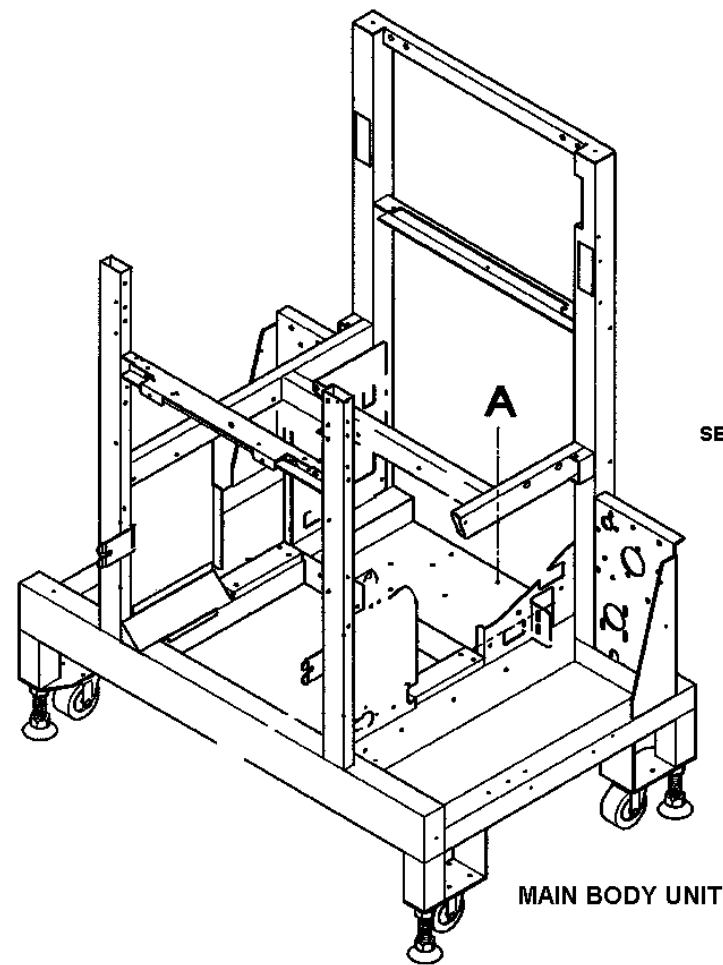


3 WRAPPING CONTROL UNIT FERRITE CORE INSTALLATION

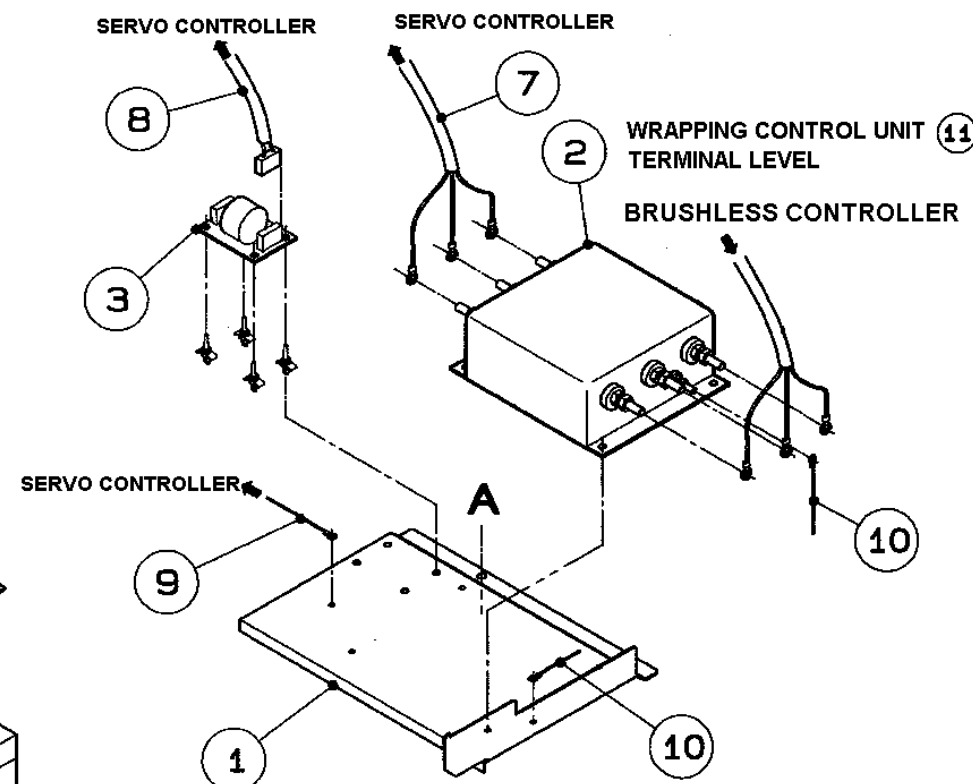


C VIEW DIAGRAM (CONNECTION DIAGRAM)

4 WRAPPING FRAME UNIT FERRITE CORE INSTALLATION



MAIN BODY UNIT



WM-4000

Heater Control Unit, Addition



(Heater Control Unit, Addition)

REF #	PART #	DESCRIPTION	QTY	SYNONYM	PRICE
1		Consult.... Cover, wrapper.....	1.....	108-0249-02.....	\$72.00
2		Consult.... Name plate, ground.....	1.....	052-0232-08.....	5.00

