

2025

New Pricing

Effective June 1

Production Equipment Replacement Parts



RICE LAKE[®]
WEIGHING SYSTEMS

800-472-6703
www.ricelake.com

Train for Excellence

Rice Lake Weighing Systems' training courses have something to offer everyone. From general product lines to programming and sales, Rice Lake classes are built to benefit the student, no matter the experience level.

Learn online or in-person—there are even specialty classes designed for unique product lines.

Learn from Rice Lake experts and gain skills you and your team can use during real-world sales and service calls.



**Apply for a
class today!**

Visit www.ricelake.com/training

to view our complete training schedule, review course descriptions and fill out an application,

or call 800-472-6703 and ask to speak with our training coordinator.

Table of Contents

Ishida IP-Ai-P	3	FILM ROLL DRIVE UNIT.....	111
MAIN BODY FRAME UNIT AND WIRING DIAGRAM.....	4	FILM ROLL SHAFT UNIT.....	113
BASE UNIT.....	7	FRAME FRONT.....	115
PRINTER UNIT.....	9	INFEEED UNIT.....	117
HEAD UNIT.....	11	INTERFACE UNIT.....	119
KEYBOARD UNIT.....	13	KEY UNIT.....	121
CASSETTE UNIT.....	15	LIFT DRIVE UNIT.....	123
DISPLAY UNIT.....	17	LIFT HEAD UNIT.....	125
Ishida IP-Ai	19	LIGHTING UNIT - LED.....	127
MAIN BODY FRAME UNIT AND WIRING DIAGRAM.....	20	MAIN BODY.....	129
BASE UNIT.....	23	MAIN BODY UNIT.....	131
PRINTER UNIT.....	25	MAINTENANCE KIT.....	133
HEAD UNIT.....	27	REAR WRAP UNIT.....	135
KEYBOARD UNIT.....	29	PRINTER FRAME UNIT.....	137
CASSETTE UNIT.....	31	PRINTER UNIT.....	139
DISPLAY UNIT.....	33	PRINTER UNIT - POP.....	142
SCALE UNIT, 30 LB.....	35	SCALE UNIT.....	146
SCALE UNIT, 60 LB.....	37	SEAL HEATER UNIT.....	148
Ishida WIL-ACRO II	39	SIDE WRAP UNIT.....	150
MAIN BODY UNIT AND WIRING DIAGRAM.....	40	STOCK CONVEYOR UNIT.....	152
PRINTER UNIT.....	43	TRAY PRESS UNIT.....	154
CASSETTE UNIT.....	45	WRAPPING FRAME UNIT.....	156
CONTROLLER UNIT.....	47	Ishida WM-Nano	158
Ishida WM-Ai	49	CONTROL UNIT AND WIRING DIAGRAMS.....	159
APPLICATOR CONTROL UNIT - POP.....	50	COVER UNIT.....	163
APPLICATOR UNIT.....	52	CUTTER UNIT.....	165
APPLICATOR UNIT - POP.....	55	DRIVE UNIT.....	167
CAMERA UNIT.....	58	FAN HEATER UNIT.....	169
CENTERING UNIT.....	60	FILM FEEDER UNIT.....	171
CONTROL UNIT, UPPER RIGHT SIDE.....	62	FILM LOAD ARM UNIT.....	173
CONTROL UNIT - FILM, LOWER LEFT SIDE.....	64	HARNESS UNIT.....	175
CONTROL UNIT - LIFT, LOWER RIGHT SIDE.....	66	INFEEED UNIT.....	177
CONTROL UNIT - WRAPPING, UPPER LEFT SIDE.....	68	LIFT UNIT.....	179
COVER UNIT - INTERIOR.....	70	LIFT HEAD UNIT.....	179
COVER UNIT - LOWER.....	72	MAINTENANCE PARTS UNIT.....	181
COVER UNIT - UPPER.....	74	WRAPPER MAIN BODY UNIT.....	183
CUTTER UNIT.....	76	WRAPPING UNIT.....	186
DECAL SET.....	78	Ishida RSB-3000	189
DISPLAY UNIT.....	80	SCALE ASSEMBLY.....	190
DISCHARGE CONVEYOR DRIVE UNIT.....	82	Ishida Uni-9DB RP	192
DISCHARGE CONVEYOR UNIT.....	84	MAIN BODY UNIT.....	193
DISCHARGE CONVEYOR STAND, LEFT.....	86	ELECTRIC UNIT AND WIRING DIAGRAM.....	195
DISCHARGE PUSHER UNIT.....	88	PRINTER UNIT.....	198
FILM FEEDER, FRONT.....	90	PRINTER FRAME UNIT.....	200
FILM FEEDER, REAR.....	93	OPERATION UNIT.....	202
FILM FEEDER MOVE UNIT.....	96	CASSETTE UNIT.....	204
FILM HEATER UNIT.....	99	REAR DISPLAY COVER UNIT.....	206
FILM INSERTION UNIT.....	101	SCALE UNIT, 60 LB.....	208
FILM INSERTION UNIT - WM-AI-P UPDATE.....	105		
FILM TRANSPORT UNIT.....	109		

Table of Contents

Ishida Uni-7 RP	210	INFEED CONVEYOR UNIT.....	302
CONTROLLER.....	211	KEY UNIT.....	304
PRINTER.....	214	NOISE FILTER UNIT.....	306
LABEL CASSETTE.....	216	PRINTER FRAME UNIT.....	308
SCALE BASE.....	218	PRINTER UNIT.....	310
Ishida Uni-3 RP	220	ROLL HOLDING UNIT, LEFT.....	313
CONTROLLER.....	221	ROLL HOLDING UNIT, RIGHT.....	315
Heat Seal Roller Pack Off Table	224	SCALE UNIT.....	317
3-FOOT TABLE.....	225	SEALING HEATER CONTROL UNIT.....	319
5-FOOT TABLE.....	227	STOCK CONVEYOR UNIT.....	321
2-FOOT CONVEYOR.....	229	TRANSFORMER UNIT.....	323
Heat Seal Scale Mate Hand Wrap	231	TRAY PRESS UNIT.....	325
ELECTRICAL COMPONENTS.....	232	WRAPPING CONTROL UNIT.....	327
AXLE MOUNT.....	234	WRAPPING CONTROL UNIT ADDITION.....	329
MAJOR ASSEMBLIES.....	236	WRAPPING FRONT/REAR UNIT.....	331
Rice Lake BenchMark® and Roller Pack Off Table	238	WRAPPING LEFT/RIGHT UNIT.....	333
BENCHMARK® SINGLE POINT 12 X 18 IN STAINLESS STEEL.....	239	WRAPPER MAIN BODY ASSEMBLY.....	336
ROLLER PACK OFF TABLE.....	241	WRAPPER MAIN BODY UNIT.....	338
Ishida WM-4000	243	Ishida AC-4000D	340
APPLICATOR UNIT, FIXED.....	244	OPERATION UNIT.....	341
APPLICATOR UNIT, MOVING.....	246	SCALE ASSEMBLY.....	343
CENTERING UNIT.....	249	PRINTER ASSEMBLY.....	345
CONNECTION UNIT.....	251	Ishida IP-EMZ	348
CONTROL UNIT AUTO.....	253	MAIN UNIT.....	349
COVER UNIT - INSIDE.....	255	DISPLAY UNIT.....	352
COVER UNIT - LOWER.....	257	CASSETTE UNIT.....	354
COVER UNIT - UPPER.....	259	SCALE UNIT.....	357
DISCHARGE CONVEYOR UNIT AND CAMERA.....	261	MAIN ELECTRICAL UNIT WIRING DIAGRAM.....	359
DISCHARGE PUSHER UNIT.....	263	Ishida DP-3000	361
DISPLAY UNIT.....	265	OPERATION UNIT.....	362
FAN HEATER UNIT, RIGHT.....	267	SCALE UNIT.....	364
FAN HEATER UNIT, LEFT.....	269	PRINTER.....	366
FILM FEEDER MOVEMENT UNIT.....	271	WIPE OFF APPLICATOR.....	369
FILM FEEDER UNIT, FRONT.....	274	WIPE OFF APPLICATOR.....	371
FILM FEEDER UNIT, REAR.....	277	WIPE OFF APPLICATOR.....	373
FILM ROLL HOLD UNIT.....	280	Ishida WPL-3000	375
FILM TRANSPORT UNIT, LEFT.....	282	OPERATION UNIT.....	376
FILM TRANSPORT UNIT, RIGHT.....	285	SCALE UNIT.....	378
FRAME UNIT.....	288	SCALE CONVEYOR (LEFT TO RIGHT).....	380
LIFT CHANGEOVER UNIT.....	290	SCALE CONVEYOR (RIGHT TO LEFT).....	384
LIFT DRIVE UNIT.....	292	PRINTER.....	388
LIFT HEAD UNIT.....	294	APPLICATOR.....	391
LIFT STOPPER UNIT.....	296	PRINTER STAND.....	393
HEATER CONTROL UNIT, ADDITION (1 OF 2).....	298	EXIT/INFEED "I" ROLLER.....	395
HEATER CONTROL UNIT, ADDITION (2 OF 2).....	300	EXIT/INFEED "I" ROLLER.....	397
		INFEED/INDEXOR CONVEYOR.....	399
		POWER EXIT ROLLER.....	401
		MSCU-3000.....	403

Ishida IP-Ai-P

Ishida IP-Ai-P



Main Body Frame Unit and Wiring Diagram

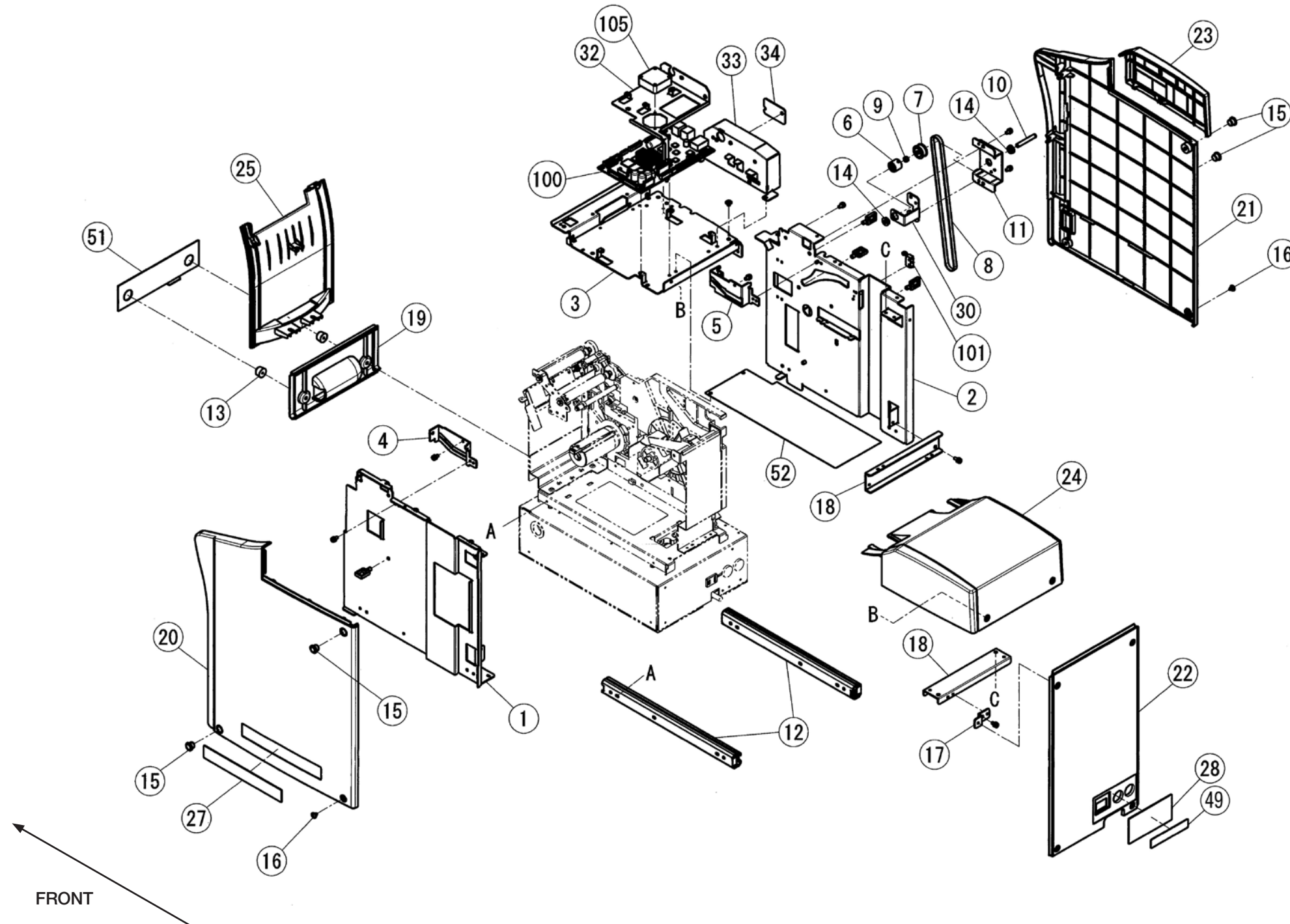
Part Number/Price

REF #	PART #	DESCRIPTION	QTY	SYNONYM	PRICE
1	Consult	Frame, right	1	100-001-0140-01	Consult
2	Consult	Frame, left	1	100-001-0138-01	Consult
3	Consult	Frame, upper	1	100-001-0146-06	Consult
4	Consult	Rail, slide, right	1	000-111-5818-17	Consult
5	Consult	Rail, head, left	1	100-001-0139-01	Consult
6	187312	Gear, flat	1	000-110-7768-14	\$11.00
7	187313	Timing pulley, S3M	1	000-110-7770-21	\$16.00
8	174982	Timing belt, S3M	1	000-110-7891-10	\$11.00
9	187314	Collar, spacer	1	000-117-9639-15	\$2.00
10	187315	Shaft, drive	1	100-001-0147-00	\$6.00
11	Consult	Bracket, gear	1	100-001-0135-02	Consult
12	187316	Rail, slider	2	000-043-1905-02	\$40.00
13	Consult	Rubber pad	2	000-130-0983-02	Consult
14	187317	Bearing, radial	2	100-002-9830-00	\$10.00
15	42967	Cap	4	000-001-4457-10	\$2.00
16	202414	Screw, truss step w/collar	2	000-112-1419-08	\$2.00
17	Consult	Bracket, cover, rear	1	100-001-0134-01	Consult
18	Consult	Frame, main body	2	100-001-0133-00	Consult
19	Consult	Cover, front, below	1	000-110-7907-16	Consult
20	198608	Cover, right side	1	000-110-7908-20	\$55.00
21	198610	Cover, left side	1	000-110-7906-12	\$55.00
22	198611	Cover, rear	1	000-110-7905-19	\$25.00
23	189319	Cover, left, upper	1	000-110-7903-12	\$12.00
24	208753	Cover assembly, machine, upper	1	000-110-7928-14	\$55.00
25	206555	Cover, front	1	000-110-7909-13	\$28.00
27	Consult	Name plate, specification	1		Consult
28	Consult	Name plate, explanation	1	100-001-5341-00	Consult
30	Consult	Bracket, bearing	1	100-002-7191-01	Consult
32	Consult	Bracket, fan	1	100-001-0166-01	Consult
33	Consult	Cover, board	1	100-001-0163-02	Consult
34	Consult	Cover, blank	1	100-001-0164-01	Consult
49	186497	Name plate, EMC	1	100-000-5604-00	\$6.00
51	Consult	Cover, weigh	1	000-111-5799-10	Consult
52	Consult	Sheet, circuit board	1	100-014-6580-00	Consult
100	158280	PWB, P-1100A, main CPU board	1	000-141-6280-26	\$1,744.00
—	178290	CF card, SSD with OS, IP-AI-P	1	100-004-8422-00	\$393.00
101	174983	Sensor assembly, cassette closed	1	100-000-4614-01	\$50.00
102	Consult	Harness, S2, SW	1	100-000-9767-01	Consult
103	Consult	Harness, C2, key	1	100-000-4022-01	Consult
104	196353	Harness, C2, thermal head	1	100-000-4615-02	\$103.00
105	174984	Fan assembly	1	000-137-0800-14	\$94.00
106	186520	Harness, S1, transfer	1	000-133-8499-16	\$8.00
108	186534	Accessory, clamp, shield	1	000-135-7195-06	\$5.00
109	186530	Filter, ferrite core	1	000-102-3466-01	\$9.00
110	187318	Filter, ferrite core	1	000-074-0769-03	\$8.00
111	186522	Filter, ferrite core	1	000-096-9524-03	\$11.00
112	198409	Gasket, conductive	1	000-139-2688-06	\$3.00
113	198408	Gasket, conductive main	2	000-139-2689-00	\$2.00
999	Consult	Accessory, clamp, LWS clamp	3	000-073-7213-08	Consult
999	Consult	Accessory, clamp, LWS clamp	4	000-073-7212-04	Consult
999	Consult	Cover, harness	1	100-008-0881-01	Consult

See the [IP-AI-P Wiring Diagram on page 6](#) for harness details

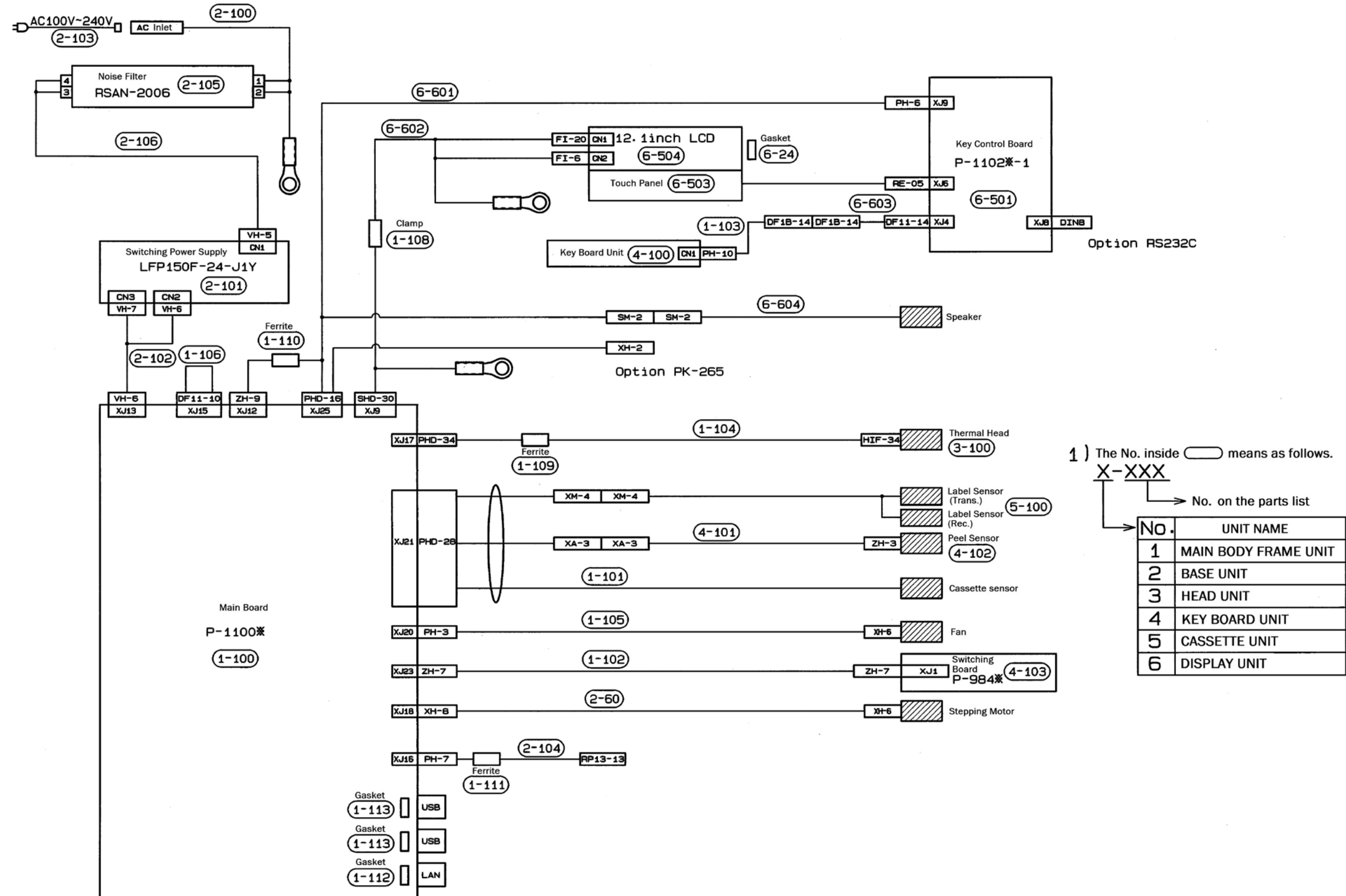
Ishida IP-Ai-P

Main Body Frame Unit and Wiring Diagram



Ishida IP-Ai-P

Wiring Diagram



Base Unit

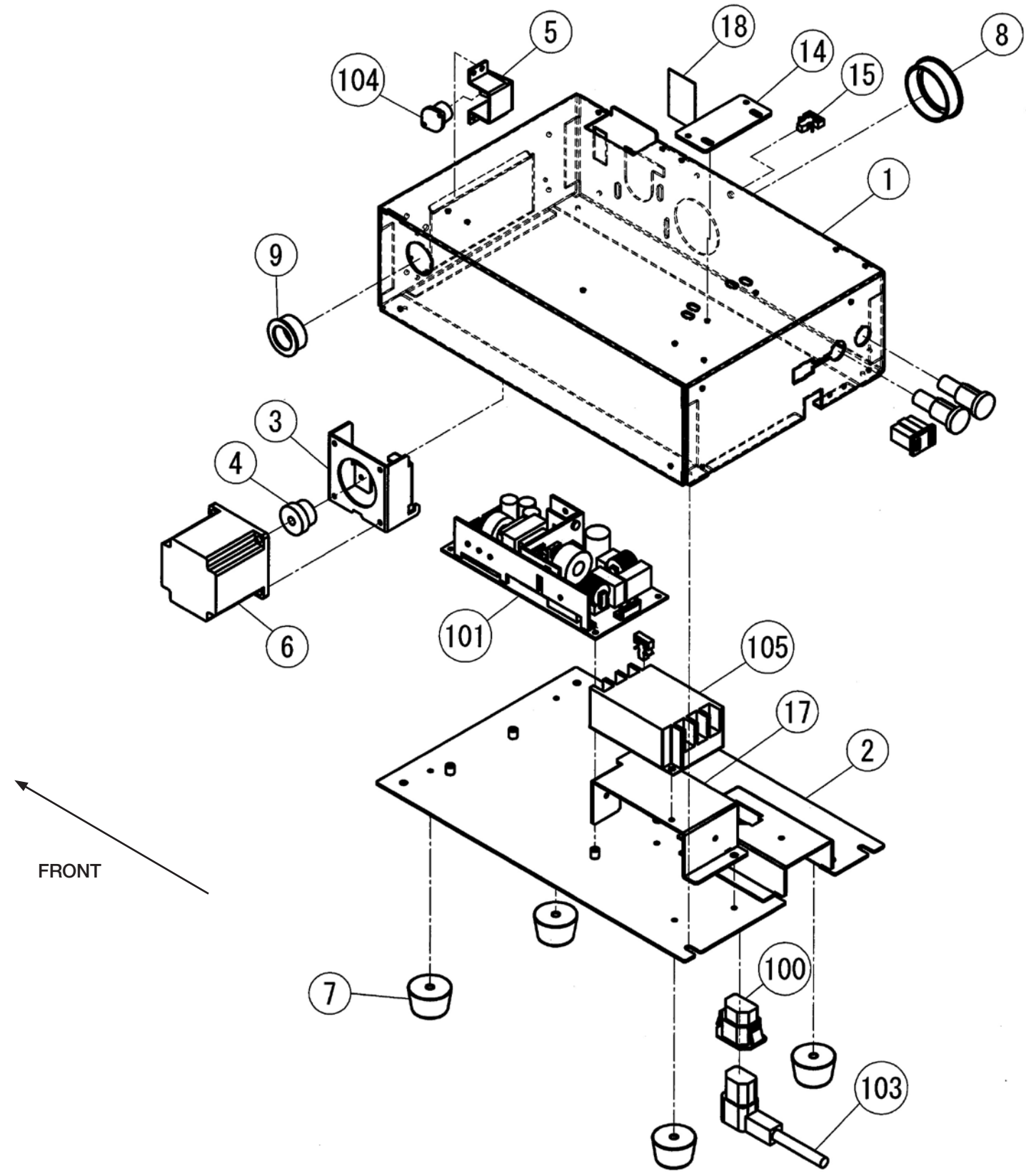
Part Number/Price

REF #	PART #	DESCRIPTION	QTY	SYNONYM	PRICE
1	Consult	Base, under	1	100-001-0131-00	Consult
2	Consult	Base, under	1	100-001-0129-01	Consult
3	Consult	Bracket, motor	1	100-001-0132-01	Consult
4	174988	Timing pulley, S3M	1	000-110-7767-11	\$10.00
5	Consult	Bracket, connector	1	000-110-7787-24	Consult
6	174985	Motor assembly, stepping	1	100-000-9766-01	\$92.00
7	174989	Rubber pad	4	000-130-0982-09	\$4.00
8	Consult	Accessory, bush, one touch	1	000-018-9836-07	Consult
9	Consult	Accessory, bush, one touch	1	000-001-9353-05	Consult
14	Consult	Plate B, catch	1	100-001-0169-01	Consult
15	Consult	Accessory, clamp, LWS clamp	2	000-073-7212-04	Consult
17	Consult	Bracket, filter, noise	1	100-001-3646-00	Consult
18	Consult	Name plate, cover	1	000-148-1052-06	Consult
100	187319	AC inlet assembly	1	100-001-0284-00	\$25.00
101	171862	Power supply, switching LFP150F-24-J1Y	1	000-148-4466-05	\$130.00
102	187322	Harness, C3, power DC	1	100-000-4616-00	\$19.00
103	119506	Harness, C2, ps	1	000-089-5787-04	\$23.00
104	174986	Harness, C2, weigh	1	100-003-3402-01	\$62.00
105	174987	Filter, noise, AC line	1	000-139-2671-03	\$79.00
106	187321	Harness, C3, power supply AC	1	100-001-2008-00	\$21.00

See the [IP-AI-P Wiring Diagram on page 6](#) for harness details

Ishida IP-Ai-P

Base Unit



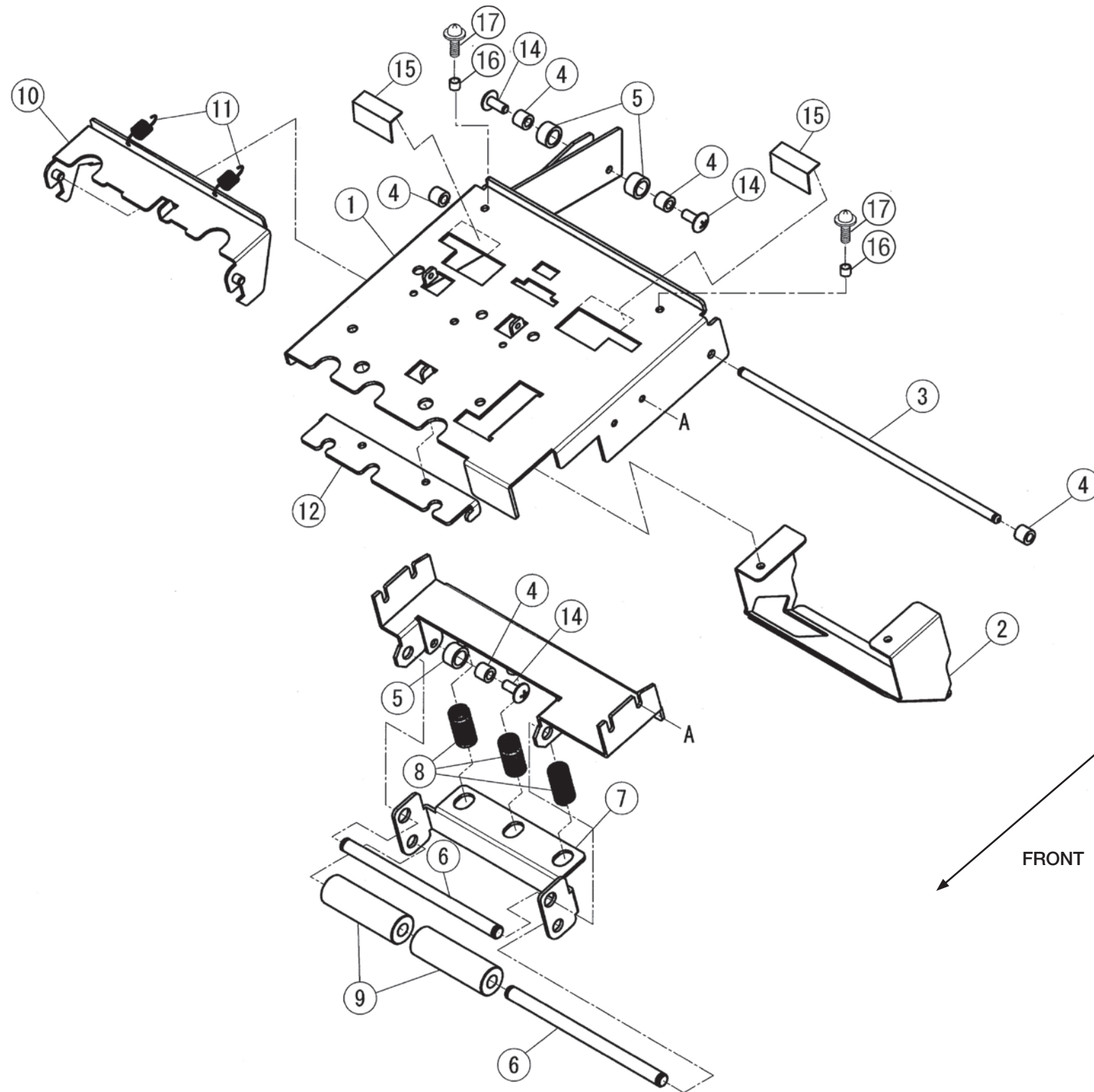
Printer Unit

Part Number/Price

REF #	PART #	DESCRIPTION	QTY	SYNONYM	PRICE
1	Consult	Frame assembly, head	1	100-000-9886-03	\$74.00
2	187323	Guide, label, upper	1	100-000-9889-01	\$10.00
3	174990	Shaft, slide, head	1	100-000-9903-00	\$10.00
4	174991	Bush	5	000-066-7780-06	\$7.00
5	174992	Collar	3	000-074-7026-05	\$9.00
6	174993	Shaft, fulcrum, pinch roller	2	000-110-7649-14	\$8.00
7	187324	Bracket, shaft	1	100-000-9890-00	\$21.00
8	174994	Spring, coil, compressive	3	100-000-9899-01	\$5.00
9	174995	Roller, label	2	100-000-9891-00	\$20.00
10	187325	Lock, thermal	1	100-000-9892-01	\$16.00
11	174996	Spring, coil, tension	2	100-000-9893-01	\$5.00
12	187326	Stay, head, thermal	1	000-111-5833-13	\$6.00
14	174997	Screw, cross truss M4x10 mm	3	000-007-1060-09	\$2.00
15	Consult	Tape, one side	2	100-011-7850-00	Consult

Ishida IP-Ai-P

Printer Unit



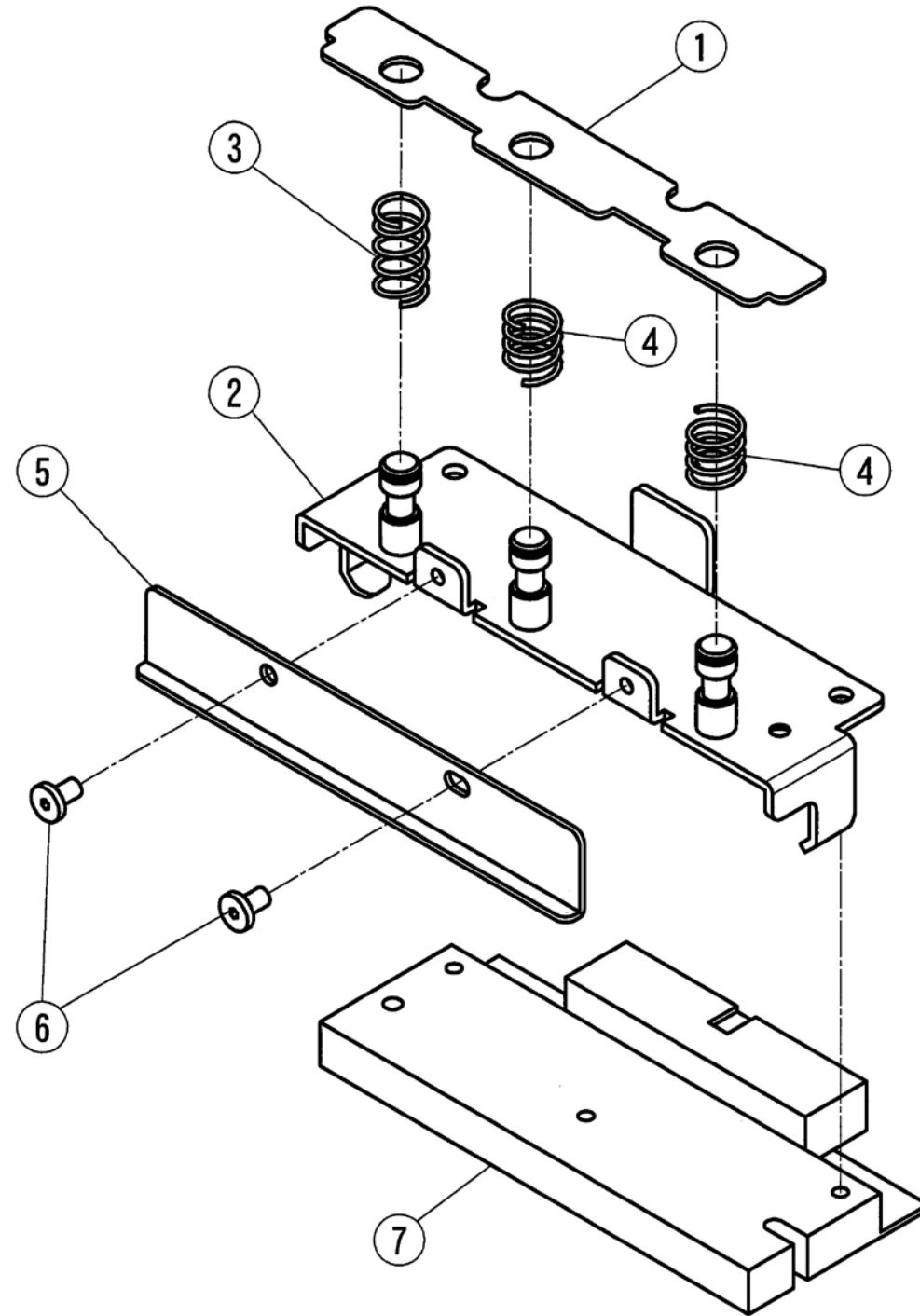
Head Unit

Part Number/Price

REF #	PART #	DESCRIPTION	QTY	SYNONYM	PRICE
1	187327	Holder, spring, head	1	100-000-9894-01	\$5.00
2	187329	Bracket, head	1	100-000-9895-04	\$22.00
3	96435	Spring, coil, compressive	1	000-096-9830-03	\$3.00
4	96436	Spring, coil, compressive	2	000-096-9831-07	\$3.00
—	163396	C-ring	3	089-5836-03	\$2.00
5	187330	Guide, label, upper	1	100-000-9917-01	\$4.00
6	177268	Hex socket bolt, M3x6 low profile black	2	000-138-5783-01	\$2.00
7	171875	Print head, thermal	1	100-010-2669-00	\$426.00

Ishida IP-Ai-P

Head Unit



ISHIDA IP-AI-P

Keyboard Unit

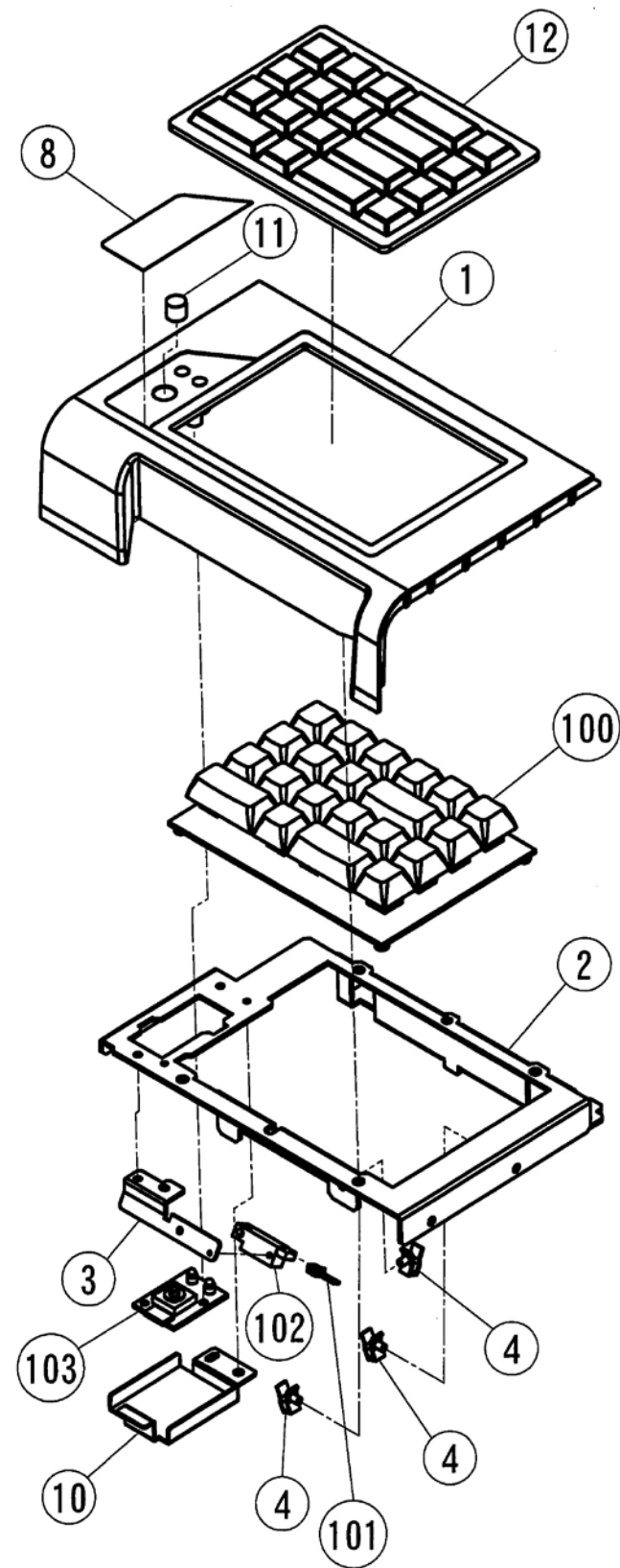
Part Number/Price

REF #	PART #	DESCRIPTION	QTY	SYNONYM	PRICE
1	174998	Cover, key	1	000-110-7901-14	\$23.00
2	187331	Bracket, key	1	100-000-9896-01	\$20.00
3	187332	Bracket, sensor	1	100-000-9900-00	\$19.00
4	187333	Accessory, clamp, mini clamp	3	000-055-3215-07	\$2.00
8	174999	Sheet, switch	1	000-145-9802-00	\$24.00
10	187334	Cover, switch	1	000-115-6270-10	\$29.00
11	187335	Block, ps, round block	1	000-115-6484-01	\$8.00
12	98400	Cover, 10-key, clear, adhesive	1	000-092-8430-13	\$66.00
100	187308	Keyboard unit, IP-AI-P	1	100-012-2961-00	\$388.00
101	187337	Harness, C2, peel sensor	1	100-000-9768-02	\$8.00
102	175000	Photo interruptor, peel sensor, reflective	1	100-001-1900-00	\$19.00
103	158263	PWB, P-984, ON/OFF key	1	000-106-1319-19	\$50.00

Ishida IP-AI-P

Ishida IP-Ai-P

Keyboard Unit



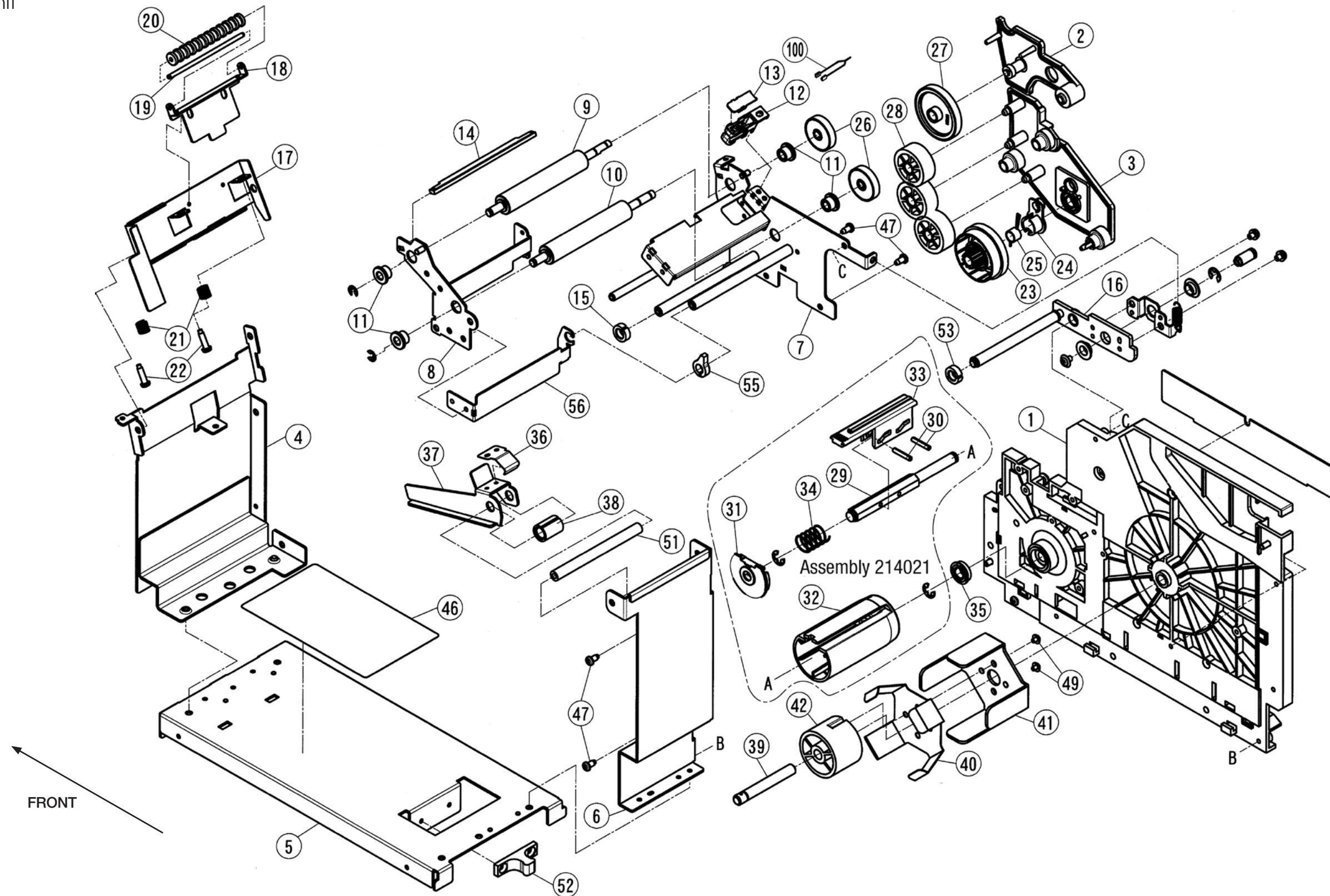
Cassette Unit

Part Number/Price

REF #	PART #	DESCRIPTION	QTY	SYNONYM	PRICE
1	196265	Frame, cassette	1	100-000-6448-00	\$146.00
2	Consult	Cover, gear	1	100-000-6449-01	Consult
3	Consult	Cover, gear, rolling	1	100-000-6450-00	Consult
4	Consult	Frame, cassette, front	1	000-110-7870-21	Consult
5	Consult	Base, cassette	1	100-000-9908-01	Consult
6	Consult	Frame, cassette, rear	1	100-000-9909-01	Consult
7	Consult	Frame assembly, print	1	100-000-9910-02	Consult
8	Consult	Frame, print, cassette	1	100-000-9911-00	Consult
9	175001	Roller, printer, round 15.6	1	100-000-9912-00	\$59.00
10	175002	Roller, printer, round 15.3	1	100-000-9913-00	\$59.00
11	93355	Bush	4	000-064-0201-24	\$5.00
12	175003	Holder, sensor	1	100-000-6451-00	\$3.00
13	175004	Cover, sensor	2	000-100-2745-30	\$10.00
14	175005	Plate assembly, peeling pole	1	100-014-0617-00	\$13.00
15	45201	Guide, label	1	000-020-6991-20	\$11.00
16	187345	Lever unit, damper	1	100-000-9921-00	\$128.00
17	Consult	Bracket, roller, assist	1	000-110-7871-33	Consult
18	Consult	Holder, roller, assist	1	000-111-5945-26	Consult
19	187346	Shaft, roller, assist	1	000-113-8068-07	\$4.00
20	187347	Roller, assist	1	000-113-8069-01	\$28.00
21	187348	Spring, coil, compress	2	000-059-8733-07	\$9.00
22	187349	TEP screw, pan head	2	000-115-6299-08	\$3.00
23	187350	Limiter assembly, one way	1	000-110-7913-18	\$59.00
24	187351	Brake spr bracket	1	000-110-7929-17	\$13.00
25	187352	Brake spr	1	000-110-7936-13	\$25.00
26	187354	Gear, idler, 25	2	000-074-7260-01	\$12.00
27	187355	Gear, flat	1	000-074-7261-04	\$3.00
28	187356	Gear, flat	3	100-000-6457-00	\$23.00
29	187357	Shaft, step, wind	1	000-110-7866-25	\$72.00
30	187358	Spring pin M3x16 mm SST	2	000-017-2601-06	\$2.00
31	157781	Cover, rolling	1	000-064-0174-27	\$3.00
32	101104	Bobbin, rolling	1	000-064-0176-24	\$6.00
33	101105	Holder, rolling, hold	1	000-064-0189-22	\$3.00
34	157782	Spring, coil, compress	1	000-064-0192-06	\$3.00
35	172635	Bearing, radial	2	000-000-3727-05	\$14.00
36	187360	Spring, lever	1	100-000-9923-03	\$4.00
37	187361	Guide, label roll	1	100-000-9924-02	\$12.00
38	187362	Holder, guide, label	1	100-000-7271-00	\$3.00
39	187363	Shaft, bobbin	1	100-000-9926-00	\$15.00
—	189337	Cross hexagon bolt, M4x10 mm zinc	1	000-000-0338-09	\$2.00
40	187364	Spring plate, pipe	1	000-113-8070-05	\$12.00
41	187365	Guide, printer, cassette	1	000-113-8071-18	\$11.00
42	187366	Roller	1	000-011-0853-07	\$8.00
46	Consult	Decal, label loading instructions	1	100-000-9959-01	Consult
47	187367	Tapping screw, plus, threadlock M4x8 SST	6	000-075-1405-09	\$2.00
49	187369	TP screw M3x4 washer head SST	2	000-113-8429-08	\$2.00
51	187370	Threaded rod, round, mm	1	000-072-8832-19	\$13.00
52	175006	Catch and ball assembly	1	000-017-5651-03	\$21.00
53	187371	Guide, label	1	000-110-7878-11	\$16.00
55	187372	Guide, label	1	100-010-3769-00	\$92.00
56	Consult	Bracket, guide, label	1	100-010-3770-00	Consult
100	175007	Sensor assembly, label	1	100-000-4626-02	\$42.00
999	Consult	Cover, cassette, harness	1	100-000-9927-01	Consult
999	187373	Spring, coil, tension	1	100-000-9919-00	\$12.00
999	187368	Collar, spacer	2	000-074-7219-07	\$2.00
999	Consult	Accessory, band, cable tie	1	000-020-7402-08	Consult
Assembly	196267	Cassette unit, complete assembly	1	100-002-8497-07	\$730.00

Ishida IP-Ai-P

Cassette Unit



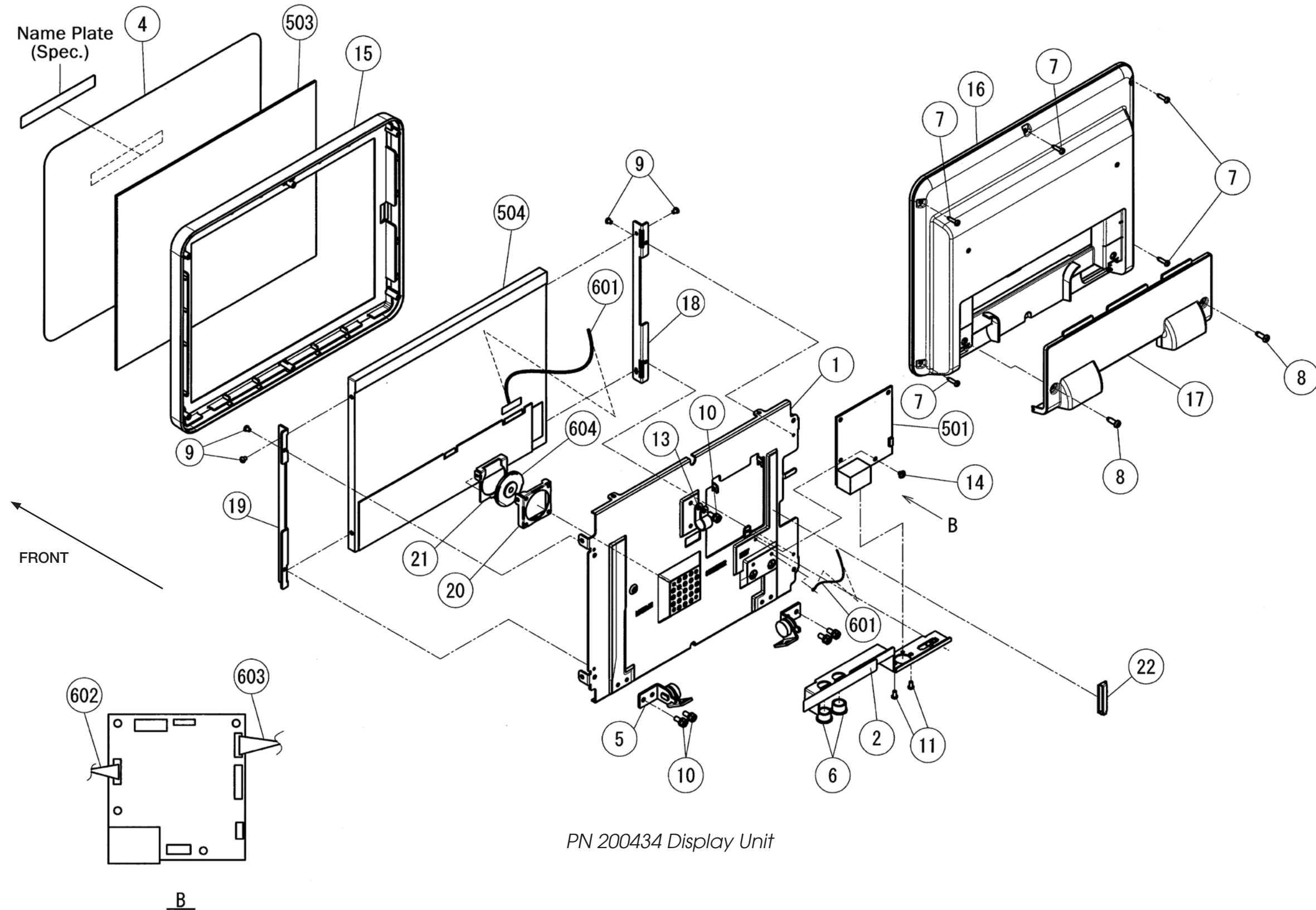
Display Unit

Part Number/Price

REF #	PART #	DESCRIPTION	QTY	SYNONYM	PRICE
1	Consult	Frame, controller	1	100-000-2465-00	Consult
2	Consult	Bracket, connector, A	1	000-110-7915-33	Consult
4	171880	Sheet, display	1	000-135-5531-43	\$38.00
5	Consult	Hinge, torque	2	000-112-9612-00	Consult
6	Consult	Accessory, bush, open lock	2	000-013-8915-08	Consult
7	189335	Tapping screw, M3x12, cross pan head, p tite	6	000-072-8766-07	\$2.00
8	189336	Tapping screw, M4x12, cross pan head, type 2	2	000-072-8768-04	\$2.00
9	199959	Screw, M3.5x4, cross pan button head, zinc	8	000-002-1849-03	\$2.00
10	189337	Cross hexagon bolt, M4x10, flange, zinc	5	000-000-0338-09	\$2.00
11	48233	Screw, cross pan head M3x6 pan head SST	2	000-000-0069-07	\$2.00
13	189311	Accessory, clamp, nylon clamp	1	000-003-6921-04	\$2.00
14	116073	Screw, M3x4 button flange head zinc	4	000-047-3842-08	\$2.00
15	171881	Case, controller, front	1	000-135-4691-06	\$21.00
16	Consult	Case assembly, controller, rear	1	000-135-4692-00	Consult
17	Consult	Cover, connector	1	000-135-4693-03	Consult
18	189312	Bracket, LCD, left	1	100-000-2468-00	\$9.00
19	189314	Bracket, LCD, right	1	100-000-2467-00	\$9.00
20	Consult	Case, speaker	1	100-002-7398-01	Consult
21	Consult	Cover, speaker	1	100-002-7397-01	Consult
22	186529	Accessory, clamp, flat cable	1	000-150-3050-07	\$3.00
501	171882	PWB, P-1102A-4, display controller	1	100-003-3188-02	\$190.00
503	171883	Touch panel, analog	1	000-135-4851-14	\$229.00
504	206536	Display, LCD, TFT	1	000-135-4850-12	\$557.00
601	187338	Harness, C5, LCD	1	100-001-2012-00	\$173.00
602	187339	Harness, C5, communication	1	100-001-2009-01	\$50.00
603	187340	Harness, C2, ten key junction	1	100-001-4007-00	\$25.00
604	172673	Speaker assembly	1	000-140-7074-11	\$84.00
999	Consult	Bracket assembly, display	1	100-001-0162-00	Consult
999	Consult	Gasket, conductive	1	100-001-4006-00	Consult
Assembly	200434	Display unit, complete		100-003-3403-00	\$1,550.00

Ishida IP-Ai-P

Display Unit



PN 200434 Display Unit

Ishida IP-Ai



Ishida IP-Ai

Main Body Frame Unit and Wiring Diagram

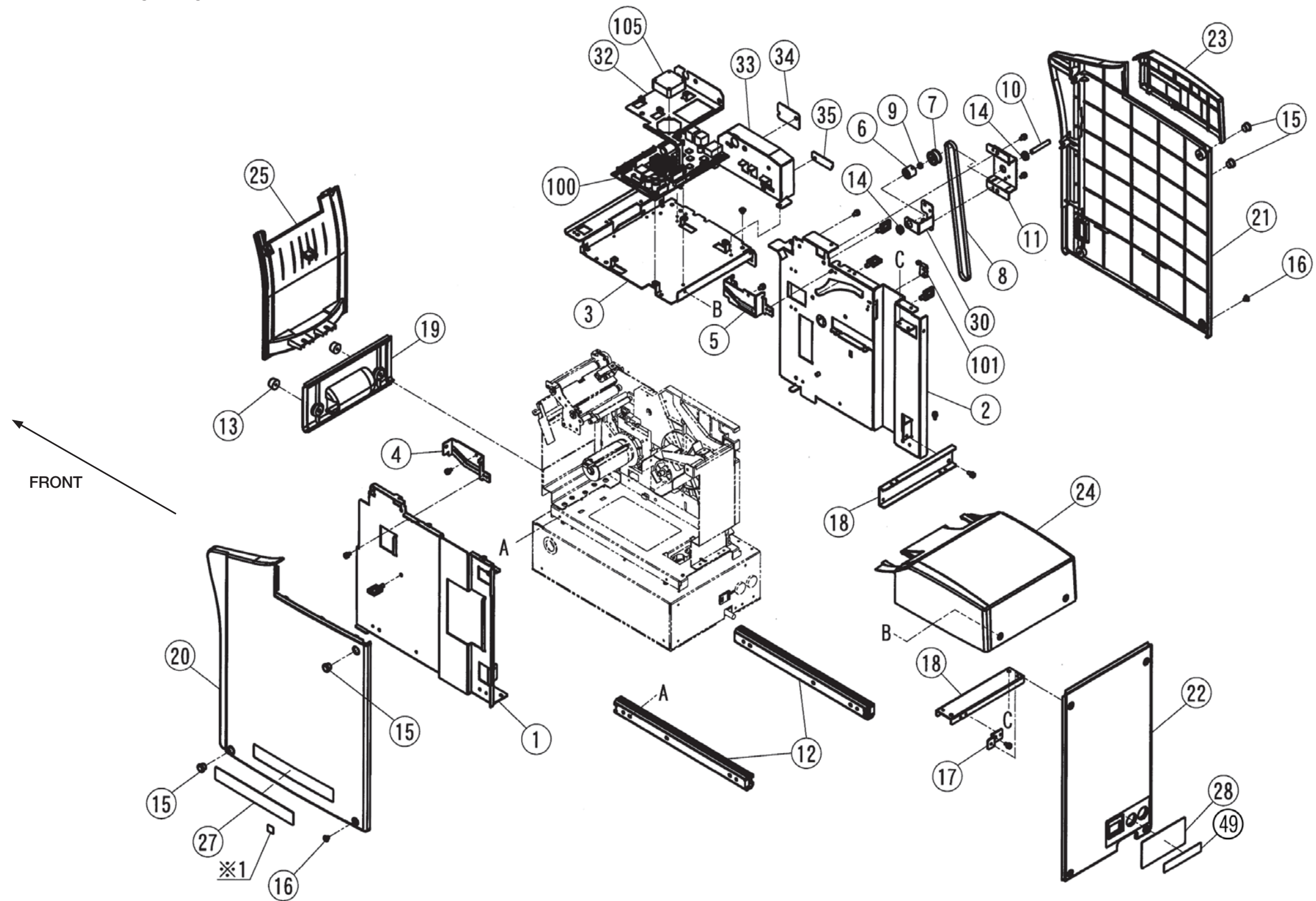
Part Number/Price

REF #	PART #	DESCRIPTION	QTY	SYNONYM	PRICE
1	Consult	Frame, right	1	100-001-0140-01	\$27.00
2	Consult	Frame, left	1	100-001-0138-01	\$129.00
3	Consult	Frame, upper	1	100-001-0146-05	\$74.00
4	Consult	Rail, slide, right	1	000-111-5818-17	\$7.00
5	Consult	Rail, head, left	1	100-001-0139-01	\$8.00
6	187312	Gear, flat	1	000-110-7768-14	\$11.00
7	187313	Timing pulley, S3M	1	000-110-7770-21	\$16.00
8	174982	Timing belt, S3M	1	000-110-7891-10	\$11.00
9	187314	Collar, spacer	1	000-117-9639-15	\$2.00
10	187315	Shaft, drive	1	100-001-0147-00	\$6.00
11	Consult	Bracket, gear	1	100-001-0135-02	\$22.00
12	187316	Rail, slide	2	000-043-1905-02	\$40.00
13	Consult	Rubber, pad	2	000-130-0983-02	\$1.00
14	187317	Bearing, radial	2	100-002-9830-00	\$10.00
15	42967	Cap	4	000-001-4457-10	\$2.00
16	202414	Screw, truss step w/collar	2	000-112-1419-08	\$2.00
17	Consult	Bracket, cover, rear	1	100-001-0134-01	\$4.00
18	Consult	Frame, main body	2	100-001-0133-00	\$13.00
19	208752	Cover, front, below	1	000-110-7907-15	\$15.00
20	198608	Cover, right, side	1	000-110-7908-19	\$55.00
21	198610	Cover, left, side	1	000-110-7906-11	\$55.00
22	198611	Cover, rear	1	000-110-7905-18	\$25.00
23	189319	Cover, left upper	1	000-110-7903-11	\$12.00
24	Consult	Cover assembly, body, upper	1	000-110-7928-13	\$48.00
25	Consult	Cover, front	1	000-110-7909-12	\$21.00
27	Consult	Name plate, specification	1	100-001-5348-01	Consult
28	Consult	Name plate, explanation	1	100-001-5341-00	\$9.00
30	Consult	Bracket, bearing	1	100-002-7191-01	\$13.00
32	Consult	Bracket, fan	1	100-001-0166-01	\$189.00
33	Consult	Cover, board	1	100-001-0163-02	\$103.00
34	Consult	Cover, blank	1	100-001-0164-01	\$11.00
35	Consult	cover, connector	1	100-001-0165-00	\$11.00
49	186497	Name plate, EMC	1	100-000-5604-00	\$6.00
100	158280	PWB, P-1100, A-2, CPU board	1	100-002-9442-00	\$1,744.00
—	200242	CF card, SSD with OS, IP-Ai	1	100-004-8422-00	\$379.00
101	174983	Sensor assembly, cassette closed	1	100-000-4614-01	\$50.00
102	Consult	Harness, S2, SW	1	100-000-9767-01	\$16.00
103	Consult	Harness, C2, key	1	100-000-4022-01	\$27.00
104	196353	Harness, C2, thermal head	1	100-000-4615-01	\$103.00
105	174984	Fan assembly	1	000-137-0800-14	\$94.00
106	186520	Harness, S1, jumper	1	000-133-8499-16	\$8.00
107	Consult	Accessory, clamp, reuse band	1	000-126-4047-14	\$1.00
108	186534	Accessory, clamp, shield	1	000-135-7195-06	\$5.00
109	186530	Filter, ferrite core	1	000-102-3466-01	\$9.00
110	187318	Filter, ferrite core	1	000-074-0769-03	\$8.00
111	186522	Filter, ferrite core	1	000-096-9524-03	\$11.00
112	198409	Gasket, conductive	1	000-139-2688-06	\$3.00
113	198408	Gasket, conductive main	2	000-139-2689-00	\$2.00
999	Consult	Accessory clamp, LWS clamp	3	000-073-7213-08	\$1.00
999	Consult	Accessory clamp, LWS clamp	4	000-073-7212-04	\$1.00
Wireless Option					
999	119158	PWB PK-265A RF wireless card, Wi-Port	1	000-089-8141-00	\$623.50
999	130816	Harness S2 LAN	1	089-5637-09	\$16.00

See the [IP-Ai Wiring Diagram on page 22](#) for harness details

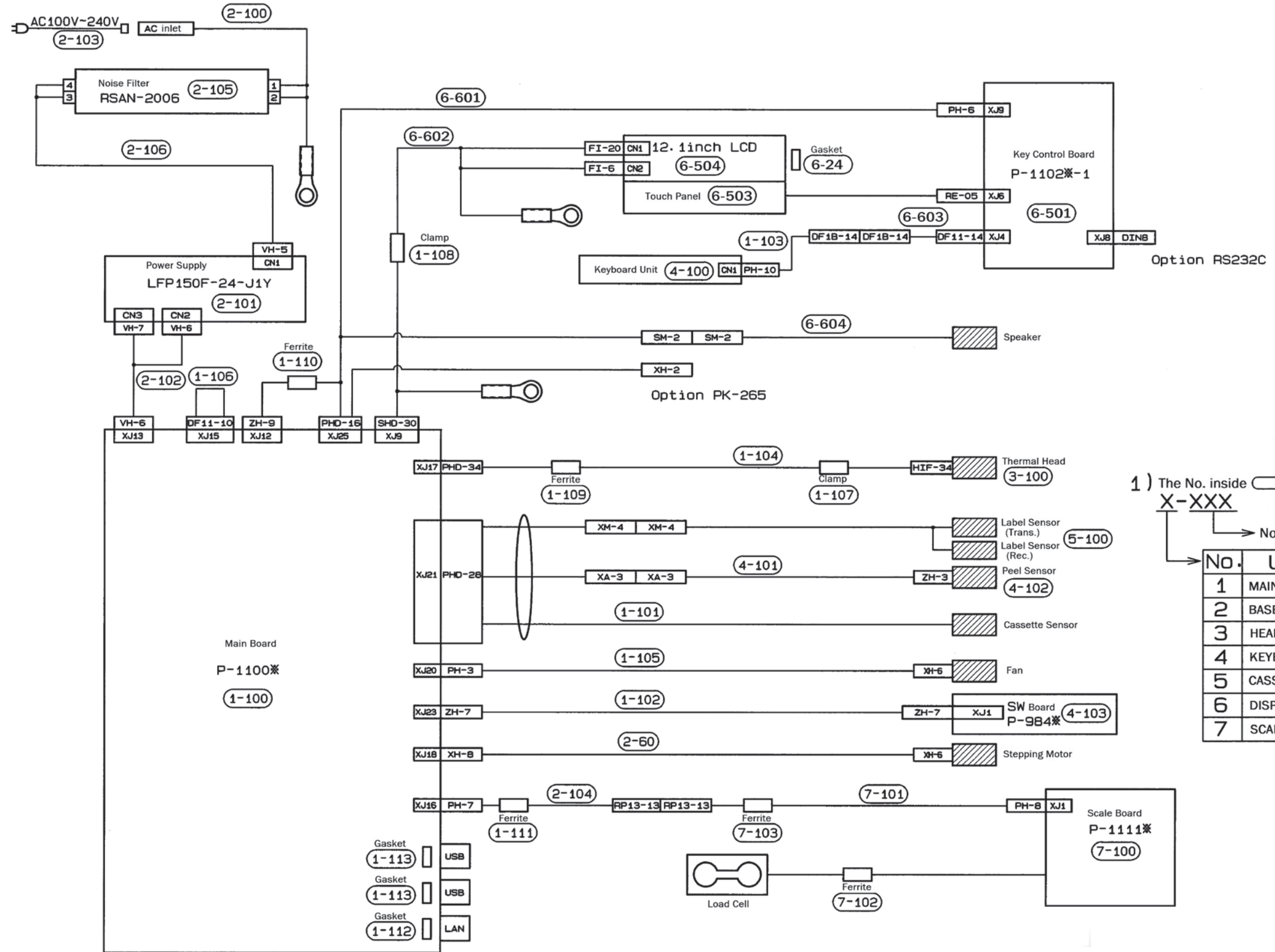
Ishida IP-Ai

Main Body Frame Unit and Wiring Diagram



Ishida IP-Ai

Wiring Diagram



1) The No. inside means as follows.

X-XXX
 X → No. on the parts list

No.	UNIT NAME
1	MAIN BODY FRAME UNIT
2	BASE UNIT
3	HEAD UNIT
4	KEYBOARD UNIT
5	CASSETTE UNIT
6	DISPLAY UNIT
7	SCALE UNIT

Base Unit

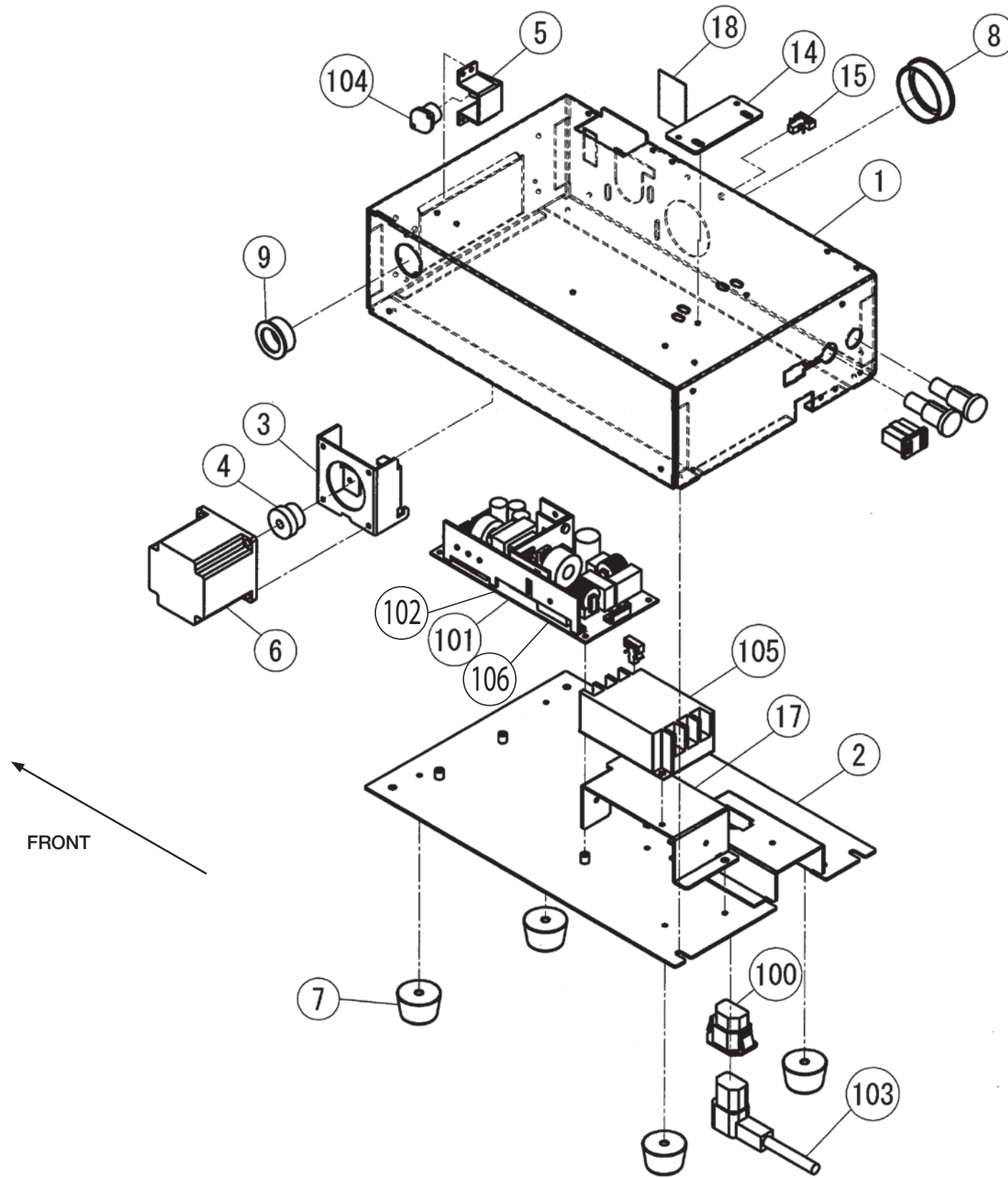
Part Number/Price

REF #	PART #	DESCRIPTION	QTY	SYNONYM	PRICE
1	Consult	Base, under	1	100-001-0131-00	\$66.00
2	Consult	Base, under	1	100-001-0129-01	\$66.00
3	Consult	Bracket, motor	1	100-001-0132-01	\$27.00
4	174988	Timing pulley, S3M	1	000-110-7767-11	\$10.00
5	Consult	Bracket, connector	1	000-110-7787-24	\$6.00
6	174985	Motor assembly, stepping	1	100-000-9766-01	\$92.00
7	174989	Rubber pad	4	000-130-0982-09	\$4.00
8	Consult	Accessory bush, one touch	1	000-018-9836-07	\$3.00
9	Consult	Accessory bush, one touch	1	000-001-9353-05	\$2.00
14	Consult	Plate B, catch	1	100-001-0169-01	\$9.00
15	Consult	Accessory, clamp, LWS clamp	2	000-073-7212-04	\$1.00
17	Consult	Bracket, filter, noise	1	100-001-3646-00	\$66.00
18	Consult	Name plate, cover	1	000-148-1052-06	\$5.00
100	187319	AC inlet assembly	1	100-001-0284-00	\$25.00
101	171862	Power supply, switching, LFP150F-24-J1Y	1	000-148-4466-05	\$130.00
102	187322	Harness, C3, power DC	1	100-000-4616-00	\$19.00
103	119506	Power cord, 90 degree	1	000-089-5787-04	\$23.00
104	174986	Harness, C2, weigh	1	100-003-3402-01	\$62.00
105	174987	Filter, noise, AC line	1	000-139-2671-03	\$79.00
106	187321	Harness, C3, power supply, AC	1	100-001-2008-00	\$21.00

See the [IP-Ai Wiring Diagram on page 22](#) for harness details

Ishida IP-Ai

Base Unit



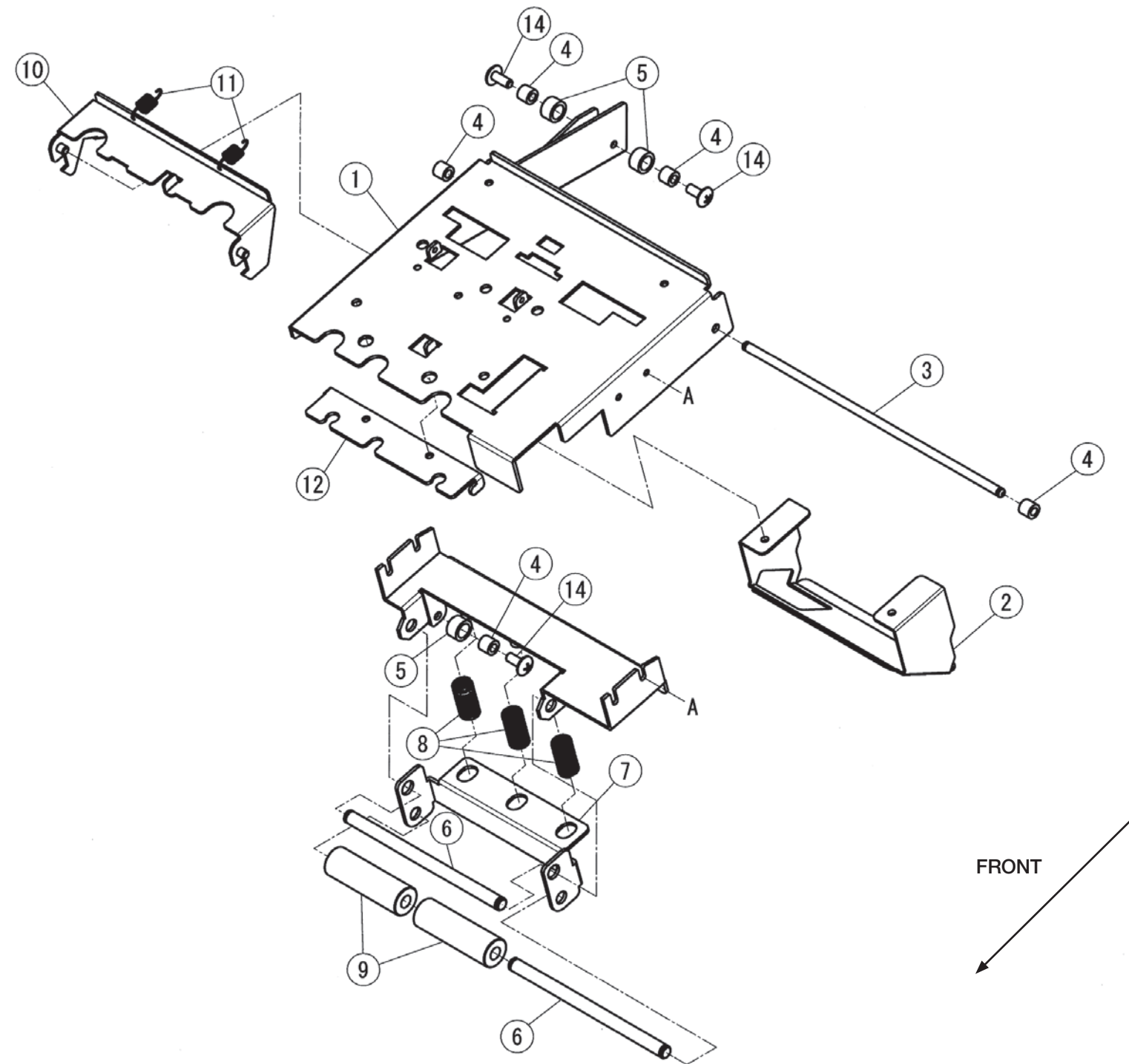
Printer Unit

Part Number/Price

REF #	PART #	DESCRIPTION	QTY	SYNONYM	PRICE
1	Consult	Frame assembly, head	1	100-000-9886-03	\$74.00
2	187323	Guide, label, upper	1	100-000-9889-01	\$10.00
3	174990	Shaft, slide, head	1	100-000-9903-00	\$10.00
4	174991	Bush	5	000-066-7780-06	\$7.00
5	174992	Collar	3	000-074-7026-05	\$9.00
6	174993	Shaft, fulcrum, pinch roller	2	000-110-7649-14	\$8.00
7	187324	Bracket, shaft	1	100-000-9890-00	\$21.00
8	174994	Spring, coil, compressive	3	100-000-9899-01	\$5.00
9	174995	Roller, label	2	100-000-9891-00	\$20.00
10	187325	Lock, thermal	1	100-000-9892-01	\$16.00
11	174996	Spring, coil, tension	2	100-000-9893-01	\$5.00
12	187326	Stay, head, thermal	1	000-111-5833-13	\$6.00
14	174997	Screw, cross truss M4x10 mm	3	000-007-1060-09	\$2.00

Ishida IP-Ai

Printer Unit



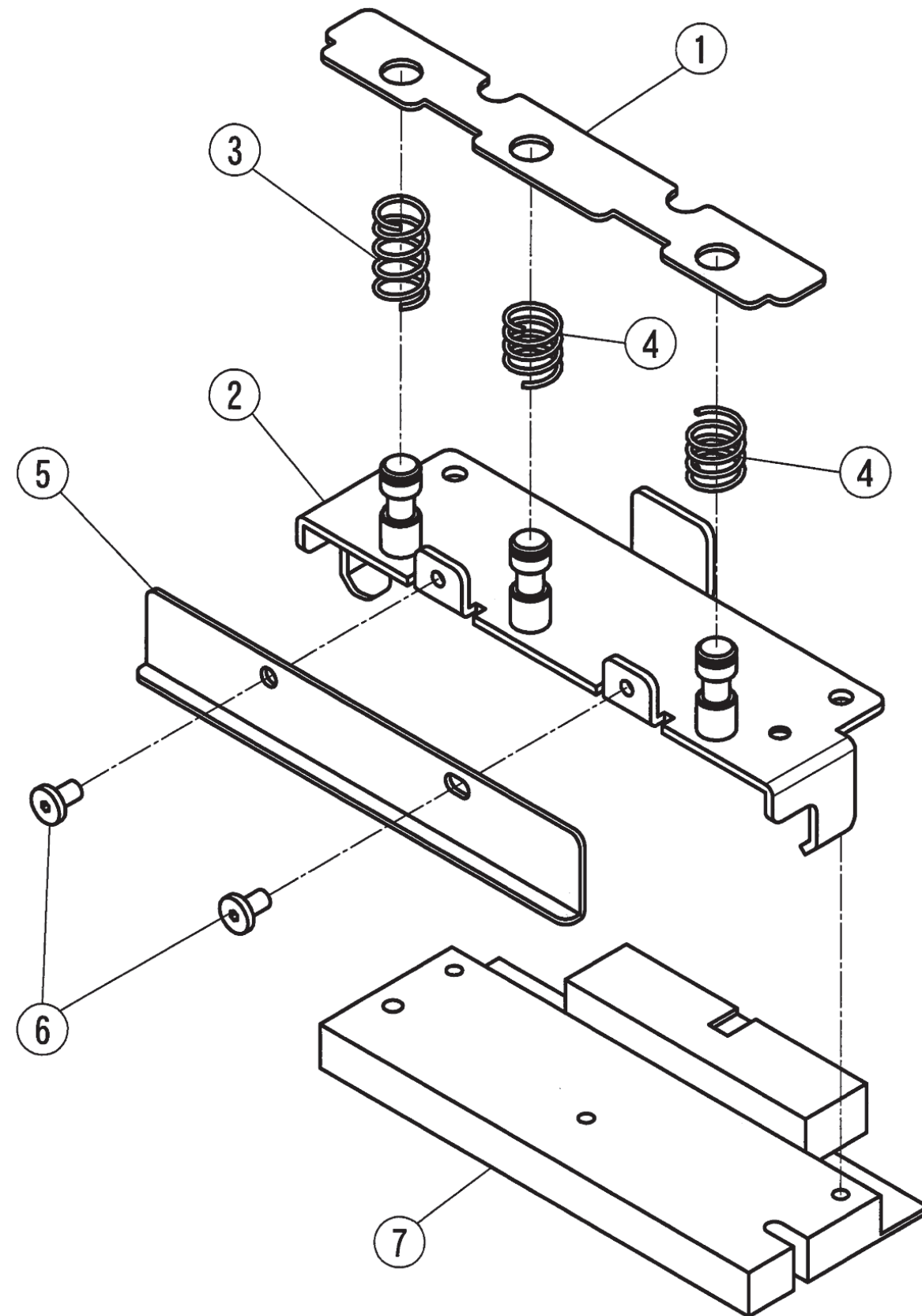
Head Unit

Part Number/Price

REF #	PART #	DESCRIPTION	QTY	SYNONYM	PRICE
1	187327	Holder, spring, head	1	100-000-9894-01	\$5.00
2	187329	Bracket, head	1	100-000-9895-03	\$22.00
3	96435	Spring, coil, compressive	1	000-096-9830-03	\$3.00
4	96436	Spring, coil, compressive	2	000-096-9831-07	\$3.00
—	163396	C-ring	3	089-5836-03	\$2.00
5	187330	Guide, label, upper	1	100-000-9917-01	\$4.00
6	177268	Hex socket bolt, M3x6 low profile black	2	000-138-5783-01	\$2.00
7	171875	Print head, thermal	1	100-010-2669-00	\$426.00

Ishida IP-Ai

Head Unit



Keyboard Unit

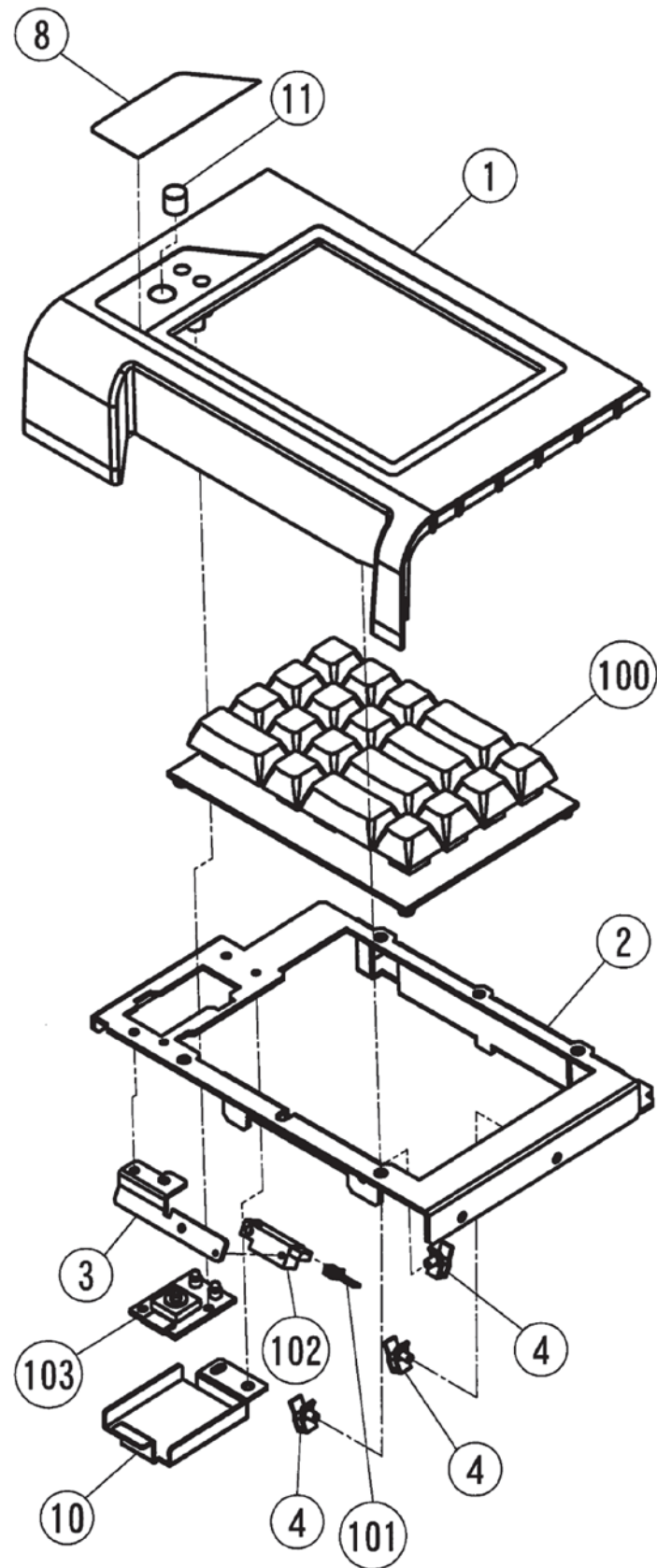
Part Number/Price

REF #	PART #	DESCRIPTION	QTY	SYNONYM	PRICE
1	174998	Cover, key	1	000-110-7901-13	\$23.00
2	187331	Bracket, key	1	100-000-9896-01	\$20.00
3	187332	Bracket, sensor	1	100-000-9900-00	\$19.00
4	187333	Accessory, clamp, mini clamp	3	000-055-3215-07	\$2.00
8	174999	Sheet, switch	1	000-145-9802-00	\$24.00
10	187334	Cover, switch	1	000-115-6270-10	\$29.00
11	187335	Block, PS, round	1	000-115-6484-01	\$8.00
100	171884	Keyboard unit	1	100-001-2013-00	\$190.00
101	187337	Harness, C2, peel sensor	1	100-000-9768-02	\$8.00
102	175000	Photo interruptor, peel sensor, reflective	1	100-001-1900-00	\$19.00
103	158263	PWB, P-984, ON/OFF key	1	000-106-1319-18	\$50.00
999	98400	Cover, 10-key, clear, adhesive	1	000-092-8430-13	\$66.00

See the [IP-Ai Wiring Diagram on page 22](#) for harness details

Ishida IP-Ai

Keyboard Unit



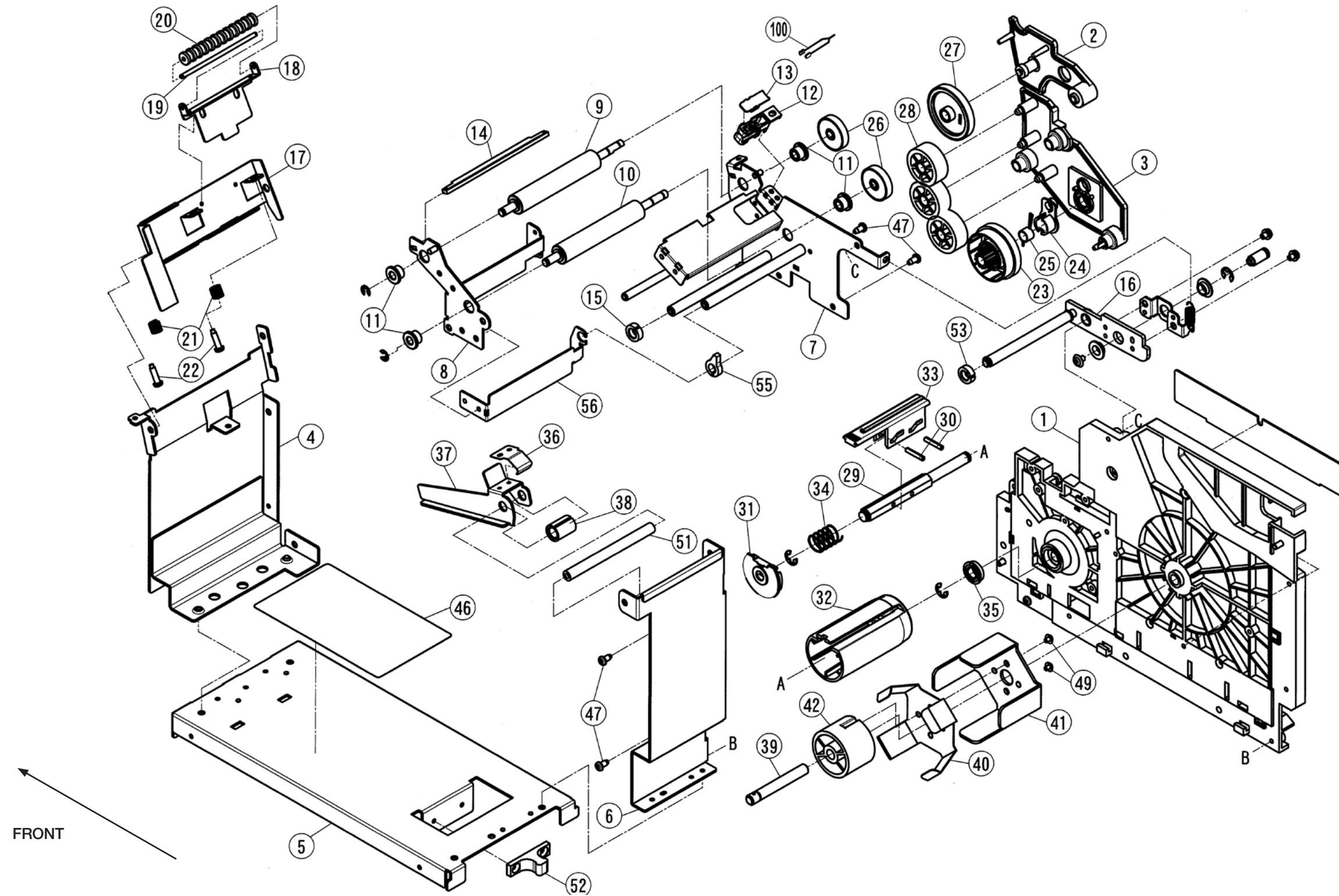
Cassette Unit

Part Number/Price

REF #	PART #	DESCRIPTION	QTY	SYNONYM	PRICE
1	196265	Frame, cassette	1	100-000-6448-00	\$146.00
2	Consult	Cover, gear	1	100-000-6449-01	Consult
3	Consult	Cover, gear, rolling	1	100-000-6450-00	Consult
4	Consult	Frame, cassette, front	1	000-110-7870-21	Consult
5	Consult	Base, cassette	1	100-000-9908-01	Consult
6	Consult	Frame, cassette, rear	1	100-000-9909-01	Consult
7	Consult	Frame assembly, cassette	1	100-000-9910-02	Consult
8	Consult	Frame, printer, cassette	1	100-000-9911-00	Consult
9	175001	Roller, printer, round, 15.6	1	100-000-9912-00	\$59.00
10	175002	Roller, printer, round, 15.3	1	100-000-9913-00	\$59.00
11	93355	Bush	4	000-064-0201-24	\$5.00
12	175003	Holder, sensor	1	100-000-6451-00	\$3.00
13	175004	Cover, sensor	2	000-100-2745-30	\$10.00
14	175005	Plate assembly, peel shaft	1	100-000-9914-01	\$13.00
15	45201	Guide label	2	000-020-6991-20	\$11.00
16	187345	Lever unit, dumper	1	100-000-9921-00	\$128.00
17	Consult	Bracket, roller, assist	1	000-110-7871-33	Consult
18	Consult	Holder, roller, assist	1	000-111-5945-26	Consult
19	187346	Shaft, roller, assist	1	000-113-8068-07	\$4.00
20	187347	Roller, assist	1	000-113-8069-01	\$28.00
21	187348	Spring, coil, compressive	2	000-059-8733-07	\$9.00
22	187349	Step screw, pan head	2	000-115-6299-08	\$3.00
23	187350	Limiter assembly, one way	1	000-110-7913-18	\$59.00
24	187351	Bracket, brake spring	1	000-110-7929-17	\$13.00
25	187352	Spring, brake	1	000-110-7936-13	\$25.00
26	187354	Gear, idler, 25	2	000-074-7260-01	\$12.00
27	187355	Gear, flat	1	000-074-7261-04	\$3.00
28	187356	Gear, flat	3	100-000-6457-00	\$23.00
29	187357	Shaft, step, wind rolling	1	000-110-7866-25	\$72.00
30	187358	Pin, spring rolling holder	2	000-017-2601-06	\$2.00
31	157781	Cover, winding	1	000-064-0174-27	\$3.00
32	101104	Bobbin, winding	1	000-064-0176-24	\$6.00
33	101105	Holder, winding, stopper	1	000-064-0189-22	\$3.00
34	157782	Spring, coil, compressive	1	000-064-0192-06	\$3.00
35	172635	Bearing, radial	2	000-000-3727-05	\$14.00
36	Consult	Spring, lever	1	100-000-9923-02	\$3.00
37	Consult	Guide, label roll	1	100-000-9924-01	\$10.00
38	187362	Holder, guide, label	1	100-000-7271-00	\$3.00
39	187363	Shaft, bobbin roller	1	100-000-9926-00	\$15.00
—	189337	Cross hexagon bolt, M4x10 mm zinc	1	000-000-0338-09	\$2.00
40	187364	Spring plate, pipe	1	000-113-8070-05	\$12.00
41	187365	Guide, printer, cassette	1	000-113-8071-18	\$11.00
42	187366	Roller, pole, bobbin shaft	1	000-011-0853-07	\$8.00
46	Consult	Decal, label loading instructions	1	100-000-9959-01	\$7.00
47	187367	Taping screw, plus, threadlock M4x8 SST	6	000-075-1405-09	\$2.00
49	187369	TP screw M3x4 washer head SST	2	000-113-8429-08	\$2.00
51	187370	Threaded rod, round, mm	1	000-072-8832-19	\$13.00
52	175006	Catch, ball	1	000-017-5651-03	\$21.00
53	187371	Guide, label	1	000-110-7878-11	\$16.00
100	175007	Sensor assembly, label gap	1	100-000-4626-02	\$42.00
999	Consult	Cover, cassette, harness	1	100-000-9927-01	\$11.00
999	187368	Collar, spacer	2	000-074-7219-07	\$2.00
999	Consult	Accessory band, cable tie	1	000-020-7402-08	\$1.00
Assembly	196267	Cassette unit, complete assembly	1	100-002-8497-07	\$730.00

Ishida IP-Ai

Cassette Unit



Display Unit

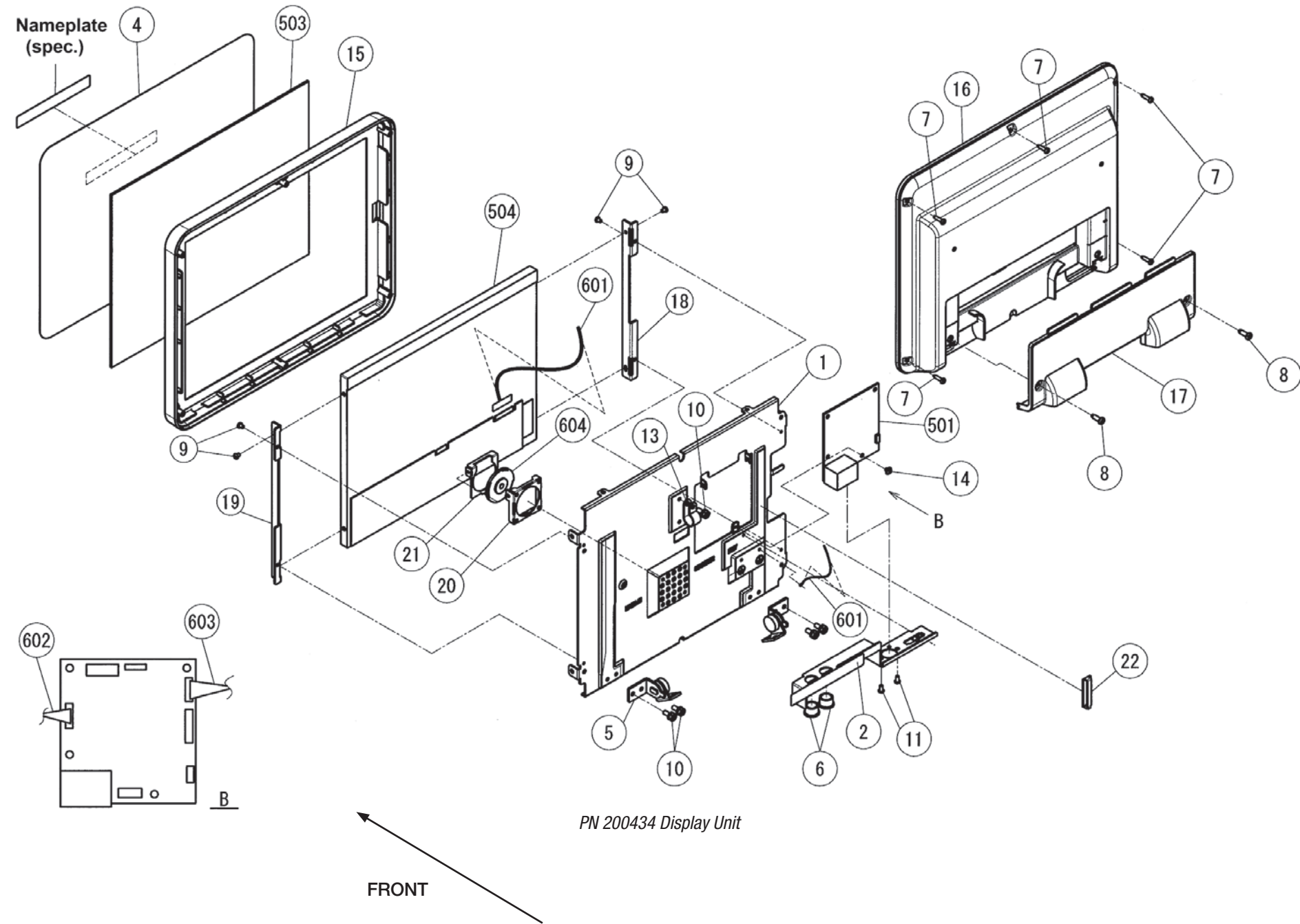
Part Number/Price

REF #	PART #	DESCRIPTION	QTY	SYNONYM	PRICE
1	Consult	Frame, controller	1	100-000-2465-00	Consult
2	Consult	Bracket, connector A	1	000-110-7915-33	Consult
4	171880	Sheet, display	1	000-135-5531-43	\$38.00
5	Consult	Hinge, torque	2	000-112-9612-00	\$18.00
6	Consult	Accessory, bush, open lock	2	000-013-8915-08	\$2.00
7	189335	Tapping screw, cross pan, M3x12 mm	6	000-072-8766-07	\$2.00
8	189336	Tapping screw, cross pan head, M4x12 mm	2	000-072-8768-04	\$2.00
9	199959	Screw, cross pan head, M3-0.5x4 mm	8	000-002-1849-03	\$2.00
10	189337	Cross, hexagon bolt, M4x10 mm	5	000-000-0338-09	Consult
11	48233	Screw, cross pan head, M3x6 pan head SST	2	000-000-0069-07	\$2.00
13	189311	Accessory, clamp, nylon clamp	1	000-003-6921-04	\$2.00
14	116073	TP screw, M3x4	4	000-047-3842-08	\$2.00
15	171881	Case, controller, front	1	000-135-4691-06	\$21.00
16	Consult	Case assembly, controller rear	1	000-135-4692-00	\$27.00
17	Consult	Cover, connector	1	000-135-4693-03	\$14.00
18	189312	Bracket, LCD, left	1	100-000-2468-00	\$9.00
19	189314	Bracket, LCD, right	1	100-000-2467-00	\$9.00
20	Consult	Case, speaker	1	100-002-7398-01	\$68.00
21	Consult	Cover, speaker	1	100-002-7397-01	\$68.00
22	186529	Accessory, clamp, flat cable	1	000-150-3050-07	\$3.00
24*	Consult	Gasket, conductive	1	100-001-4006-00	\$6.00
501	171882	PWB, P-1102, -4, display controller, A30	1	100-003-3188-00	\$190.00
503	171883	Touch panel, analog	1	000-135-4851-14	\$229.00
504	206536	Display, LCD, TFT	1	000-135-4850-11	\$557.00
601*	187338	Harness, C5, LCD display	1	100-001-2012-00	\$173.00
602*	187339	Harness, C5, communication	1	100-001-2009-01	\$50.00
603*	187340	Harness, C2, ten key junction	1	100-001-4007-00	\$25.00
604	172673	Speaker assembly	1	000-140-7074-11	\$84.00
999	Consult	Bracket assembly, display	1	100-001-0162-00	\$44.00
Assembly	200434	Display unit, complete		100-003-3403-00	\$1,550.00

* See the IP-Ai Wiring Diagram on page 22 for details

Ishida IP-Ai

Display Unit



Scale Unit, 30lb

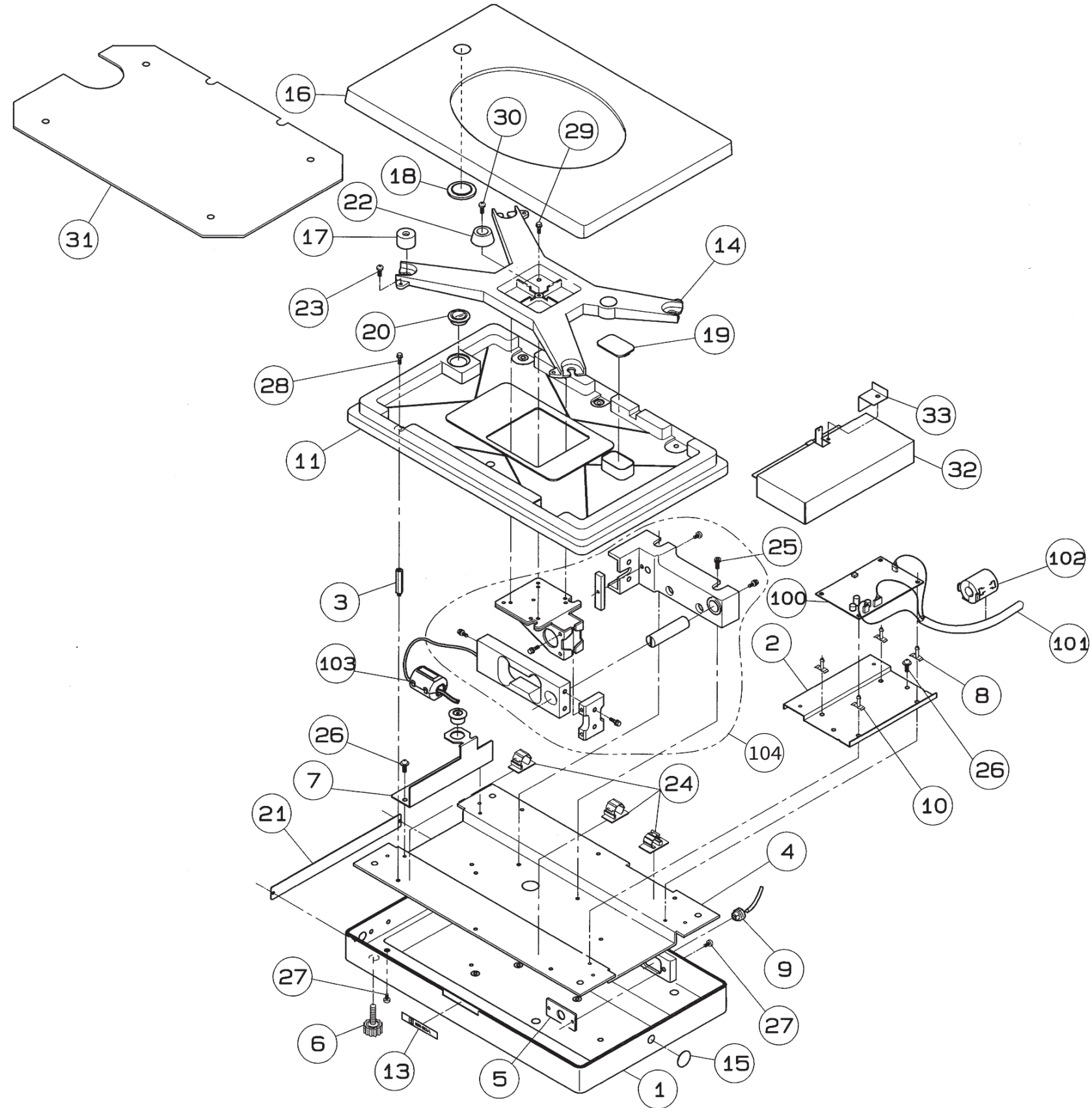
Part Number/Price

REF #	PART #	DESCRIPTION	QTY	SYNONYM	PRICE
1	47019	Case, scale, lower	1	000-002-5005-01	\$133.00
2	Consult	Bracket, PWB	1	100-000-9961-00	\$74.00
3	47021	Threaded rod, hex, MF	4	000-002-5011-04	\$8.00
4	47022	Base, weight	1	000-002-5012-26	\$62.00
5	Consult	Plate B, metal, IP-EMZ	1	000-075-5801-14	\$13.00
6	47024	Leg, adjusting	4	000-001-4845-02	\$5.00
7	47026	Metal fitting unit for level	1	000-002-5052-07	\$23.00
8	41734	PWB accessory, card spacer	2	000-000-1795-01	\$2.00
9	Consult	Accessory, bush, cable	1	000-074-7145-05	\$2.00
10	Consult	PWB accessory, card spacer	2	000-043-1633-00	\$5.00
11	47029	Case, scale, upper	1	000-002-5006-05	\$79.00
13	Consult	Name plate, company name	1	100-000-5371-00	\$4.00
14	45144	Platter supporter	1	000-000-6131-07	\$40.00
15	47025	Seal, round, 21 mm dia	1	001-6314-09	\$2.00
16	175008	Platter	1	000-094-5009-02	\$96.00
17	41706	Supporter rubber	3	000-002-5050-00	\$3.00
18	187668	Cap, window	1	000-016-3545-07	\$4.00
19	47034	Cap	4	000-002-5007-09	\$19.00
20	42857	Lense	1	000-041-1971-13	\$4.00
21	Consult	Specification plate	1	—	Consult
—	42734	Push rivet	1	000-000-4761-06	\$2.00
22	47036	Rubber pad	1	000-000-3926-00	\$3.00
23	47326	Screw, M4x18 pan head cross lock zinc	1	000-003-2566-02	\$2.00
24	Consult	Accessory, clamp, CKN clamp	1	000-007-5412-01	\$2.00
25	Consult	GT cap screw	1	000-000-0448-05	\$1.00
26	47007	TP screw M4X8 chromate	4	000-000-0440-06	\$2.00
27	42719	Screw, cross truss, M4x8 button head SST	3	000-000-0238-00	\$2.00
28	41739	Hex bolt, bolt and washer assembly, S2P2, M4x12 zinc	2	000-002-1790-08	\$2.00
29	189337	Cross hexagon bolt, M4x10 mm zinc	4	000-000-0338-09	\$2.00
30	189338	TP screw, M4x10 SST	6	000-002-1938-01	\$2.00
31	Consult	Sheet, insulator	4	000-049-6202-19	\$74.00
32	Consult	Cover, PWB	4	000-096-9535-13	\$83.00
33	Consult	Cover, switch	1	000-096-9533-16	\$55.00
100	171879	PWB, A/D board P-1111A-2 / A-7	1	100-003-3404-00	\$736.00
101	185058	Harness, C2, weigh communication, approx. 3 ft	1	100-001-2010-01	\$218.00
	198254	Harness, C2, weigh communication, approx. 7 ft	1	100-008-7228-00	\$113.00
102	186547	Filter, ferrite	1	000-044-2730-09	\$11.00
103	Consult	Filter, ferrite core	1	000-093-5220-14	\$7.00
104	44220	Load cell assembly, CLC-25L	1	000-000-7729-07	\$403.00
999	91178	Seal, rivet	1	000-040-9585-01	\$11.00
999	42733	Sealing	2	000-044-6797-02	\$12.00
999	42735	Seal, with wire	1	000-022-3922-08	\$3.00
999	47032	Step screw, M4x10 SST	1	000-020-3677-01	\$27.00

See the [IP-Ai Wiring Diagram on page 22](#) for harness details

Ishida IP-Ai

Scale Unit, 30lb



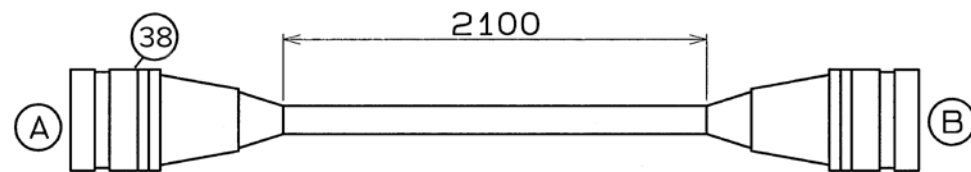
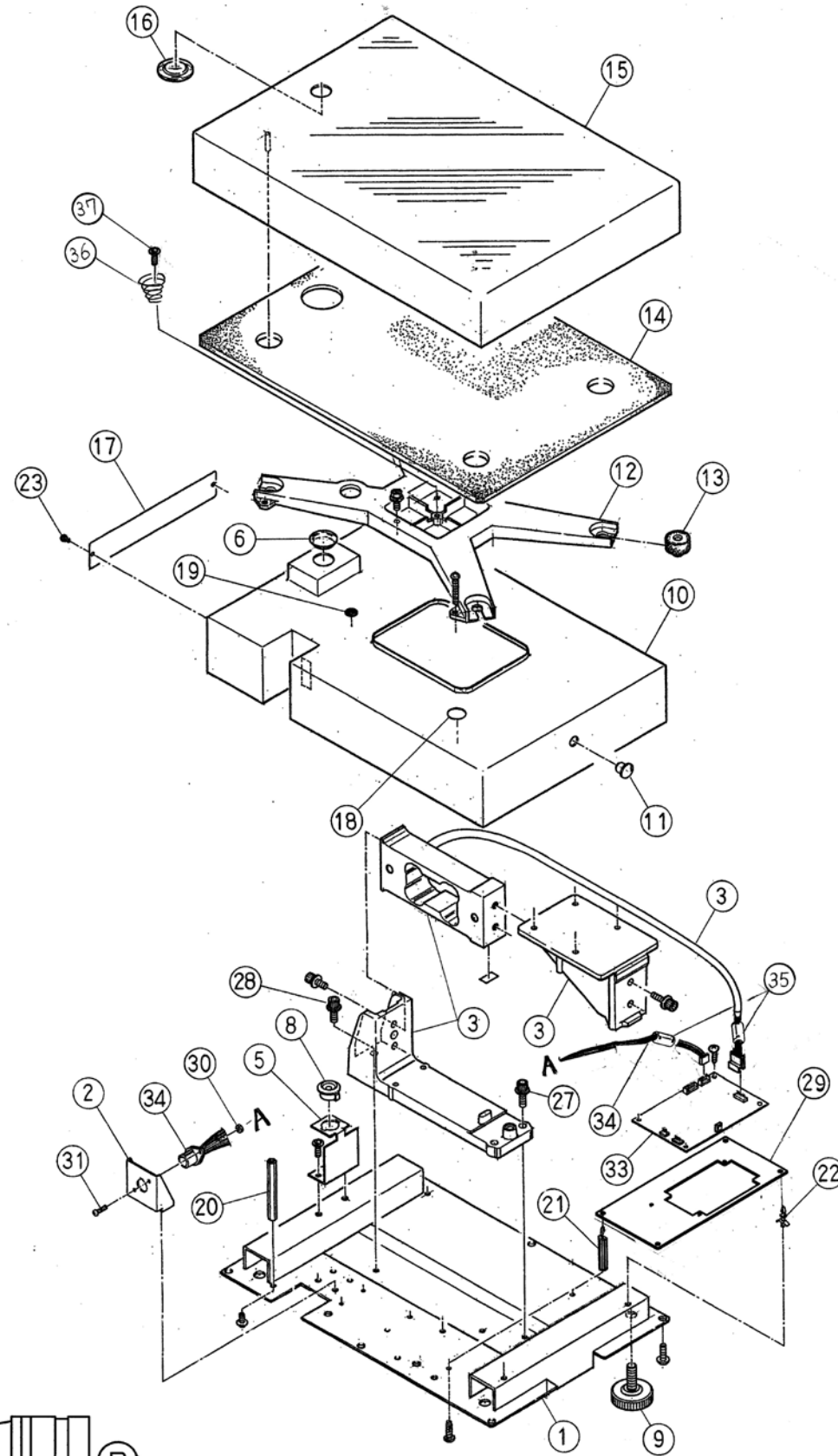
Scale Unit, 60lb

Part Number/Price

REF #	PART #	DESCRIPTION	QTY	SYNONYM	PRICE
1	Consult	Base	1	000-020-3896-46	\$197.00
2	Consult	Bracket, connector	1	000-056-7587-13	\$26.00
3	187665	Load cell, ZLC-60L	1	000-020-3918-08	\$335.00
5	Consult	Bracket, level	1	000-019-8831-11	\$21.00
6	42857	Lens	1	000-041-1971-13	\$4.00
8	186488	Level as, bubble, window	1	000-019-3912-02	\$25.00
9	42721	Level adjusting leg	4	000-001-4837-11	\$6.00
10	Consult	Cover	1	000-056-7586-10	\$391.00
11	42967	Cap	1	000-001-4457-10	\$2.00
12	45144	Platter supporter	1	000-000-6131-07	\$40.00
13	45167	Supporter rubber	4	000-000-6142-08	\$6.00
14	187666	Sheet, insulator	1	000-020-3891-39	\$55.00
15	187667	Platter	1	000-020-3894-21	\$251.00
16	187668	Cap, window	1	000-016-3545-07	\$4.00
17	Consult	Specification plate	1		Consult
18	Consult	Seal	4	000-003-2827-02	\$2.00
19	Consult	Seal, round	1	000-000-6615-02	\$1.00
20	Consult	Threaded rod, HEX, FF	4	000-027-8607-18	\$6.00
21	Consult	PWB accessory, card spacer	2	000-019-3795-03	\$3.00
22	Consult	PWB accessory, card spacer	2	000-043-1634-03	\$5.00
23	91178	Seal, rivet	1	000-040-9585-01	\$11.00
27	Consult	NH safety socket	2	000-022-3855-01	\$1.00
28	Consult	NH safety socket	1	000-022-3856-05	\$1.00
29	Consult	Plate B, PWB, P-1111	1	000-130-6863-10	\$15.00
30	187669	Hex nut, T1, M2.6 SS Chromate	2	000-000-0129-07	\$2.00
31	187670	Screw, cross pan head, M2.6x10 Phillips pan head SST	2	000-004-4875-06	\$2.00
33	187671	PWB, A/D board P-1111A / A5	1	000-130-7000-61	\$331.00
34	187672	Harness, C2, external scale, cable receptacle	1	000-127-9132-22	\$42.00
35	Consult	Filter, Ferrite core	2	000-093-5220-14	\$7.00
36	187673	Spring, coil, compressive	1	000-122-1927-02	\$5.00
37	187674	TP screw, M4x4 mm cross pan washer head SST	1	000-123-5994-04	\$2.00
38	187675	Harness, C2, weigh communication, 7 ft	1	000-140-7094-15	\$152.00
Assembly	160263	Scale unit, 60 lb, complete (includes harness pn 187675)		000-142-1777-09	\$1,575.00

Ishida IP-Ai

Scale Unit, 60lb



Ishida WIL-ACRO II

Ishida WIL-ACRO II



Main Body Unit and Wiring Diagram

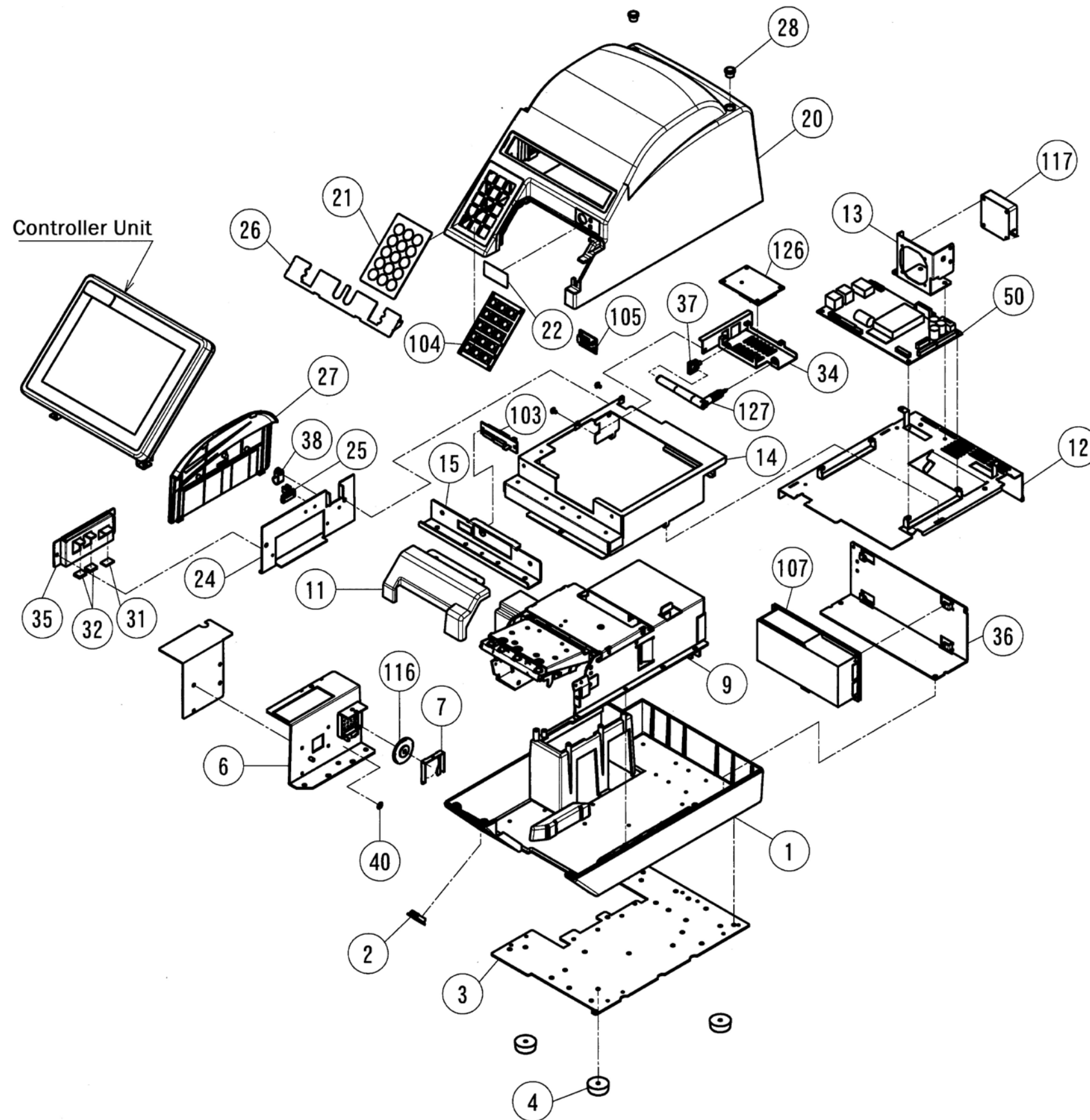
Part Number/Price

REF #	PART #	DESCRIPTION	QTY	SYNONYM	PRICE
1	Consult	Base, printer	1	000-072-8585-19	Consult
2	Consult	Cap, SW	1	000-109-2150-02	Consult
3	Consult	Plate b, reinforcement	1	000-110-7848-00	Consult
4	185717	Rubber pad	4	000-090-5034-07	\$3.00
6	Consult	Bracket assembly, connector	1	100-016-6897-01	Consult
7	Consult	Bracket, speaker	1	000-099-8591-01	Consult
9	Consult	Printer unit	1	100-016-7594-00	Consult
11	96327	Cover, printer	1	000-063-8266-19	\$10.00
12	Consult	Base assembly, main	1	100-009-1152-00	Consult
13	Consult	Bracket, fan	1	000-150-3126-06	Consult
14	Consult	Bracket, PWB	1	100-009-1266-00	Consult
15	Consult	Bracket, hinges	1	000-099-8582-17	Consult
20	Consult	Case, main body, upper	1	000-109-2157-17	Consult
21	185569	Sheet, keyboard	1	100-009-0781-00	\$308.00
22	185570	Sheet, switch	1	000-109-8691-02	\$19.00
24	Consult	Bracket, connector, main	1	100-009-1261-00	Consult
25	Consult	Catch	1	000-052-1953-03	Consult
26	Consult	Cover, hinge	1	000-108-6480-27	Consult
27	203305	Cover, connector access	1	000-109-2149-08	\$14.00
28	42967	Cap	2	000-001-4457-10	\$2.00
31	198409	Gasket, conductive	1	000-139-2688-06	\$3.00
32	198408	Gasket, conductive	2	000-139-2689-00	\$2.00
34	Consult	Bracket, circuit board	1	100-009-1268-00	Consult
35	Consult	Bracket, connector, main	1	100-009-1158-00	Consult
36	Consult	Bracket, power supply	1	100-016-7256-00	Consult
37	Consult	Accessory, clamp, LWS clamp	1	000-073-7215-05	Consult
38	Consult	Accessory, clamp, nylon clamp	1	000-000-4753-06	Consult
40	Consult	Name plate	1	000-097-8992-16	Consult
50	158280	PWB, P-1100A, main CPU board	1	000-141-6086-21	\$1,744.00
—	164866	CF card, SSD with OS, WIL Acro II	1	100-000-7261-00	\$393.00
103	87519	PWB P-985, display harness junction board	1	000-102-3034-15	\$50.00
104	185572	PWB P-944, tactile keyboard	1	000-072-8611-04	\$86.00
105	158263	PWB P-984, ON/OFF key	1	000-106-1319-19	\$50.00
107	154777	Power supply, switching	1	000-138-5941-02	\$161.00
108	195781	Harness, C3, PS cable	1	100-016-7700-01	\$89.00
109	198403	Harness, S2, Earth	1	100-016-7708-00	\$25.00
110	198404	Harness, C3, power supply	1	100-016-7702-00	\$65.00
112	198405	Harness, C3, key	1	100-016-7704-00	\$77.00
113	198406	Harness, S2, power supply SW	1	100-016-7706-00	\$62.00
114	198407	Harness, C4, LCD	1	100-016-7703-00	\$133.00
116	172673	Speaker assembly	1	000-140-7074-11	\$84.00
117	185573	Fan assembly	1	100-016-7701-00	\$116.00
119	Consult	Harness, C2, speaker	1	100-016-7705-00	Consult
120	186520	Harness, S1, transfer	1	000-133-8499-16	\$8.00
126	119158	PWB PK-265A, RF wireless card, Wi-Port	1	000-089-8141-00	\$623.50
127	119159	Antenna	1	000-089-5639-06	\$89.00
128	130816	Harness, S2, Lan	1	000-089-5637-09	\$16.00
129	Consult	Harness, C2, Wifi	1	100-008-9043-01	Consult
999	186497	Name plate, EMC, main body	1	100-000-5604-00	\$6.00
Assembly	87514	Cassette unit, label assembly	1	000-065-1662-38	\$243.00

See the [WIL-ACRO II Wiring Diagram on page 42](#) for harness details

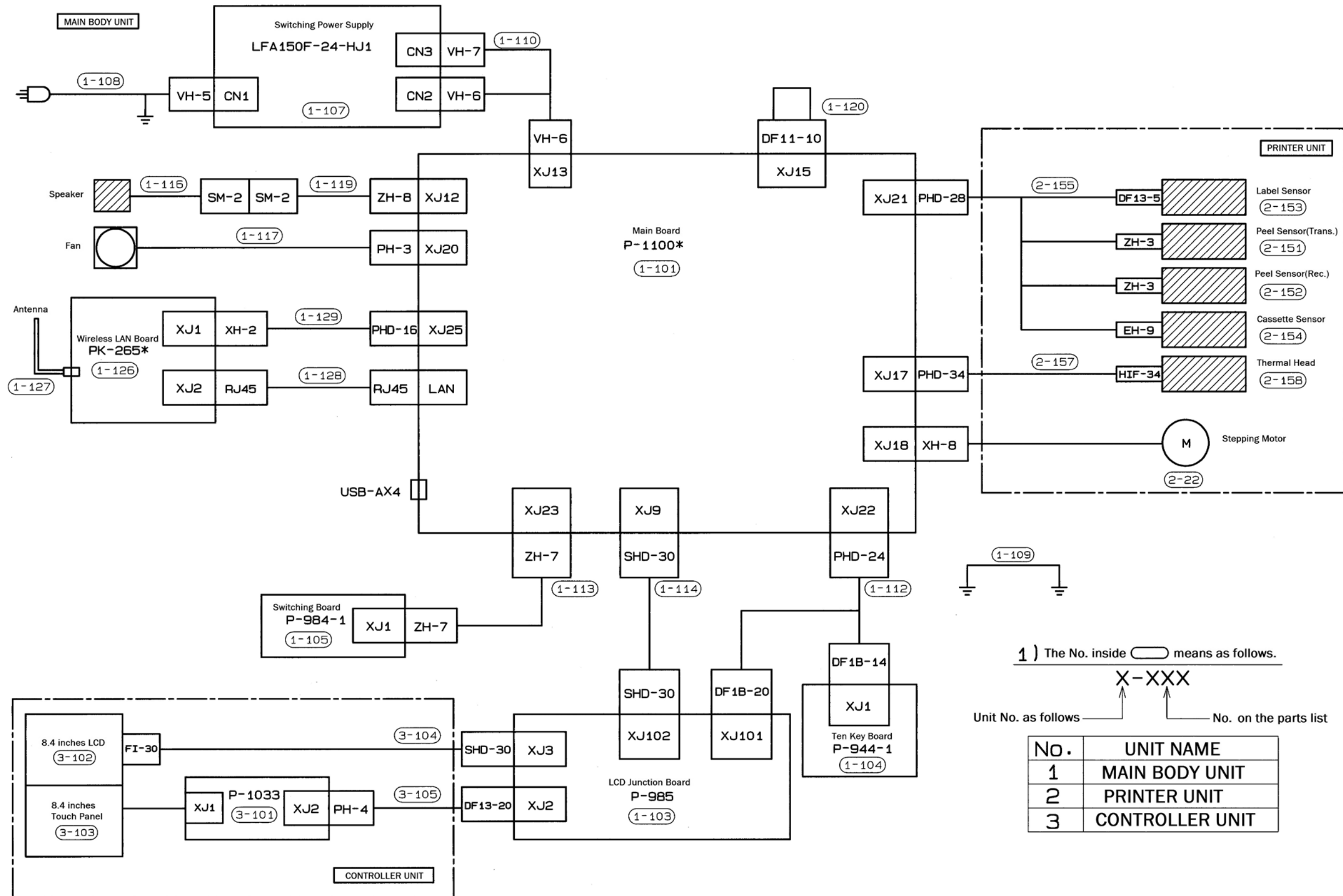
Ishida WIL-ACRO II

Main Body Unit and Wiring Diagram



Ishida WIL-ACRO II

Wiring Diagram



1) The No. inside means as follows.

X-XXX

Unit No. as follows No. on the parts list

No.	UNIT NAME
1	MAIN BODY UNIT
2	PRINTER UNIT
3	CONTROLLER UNIT

Printer Unit

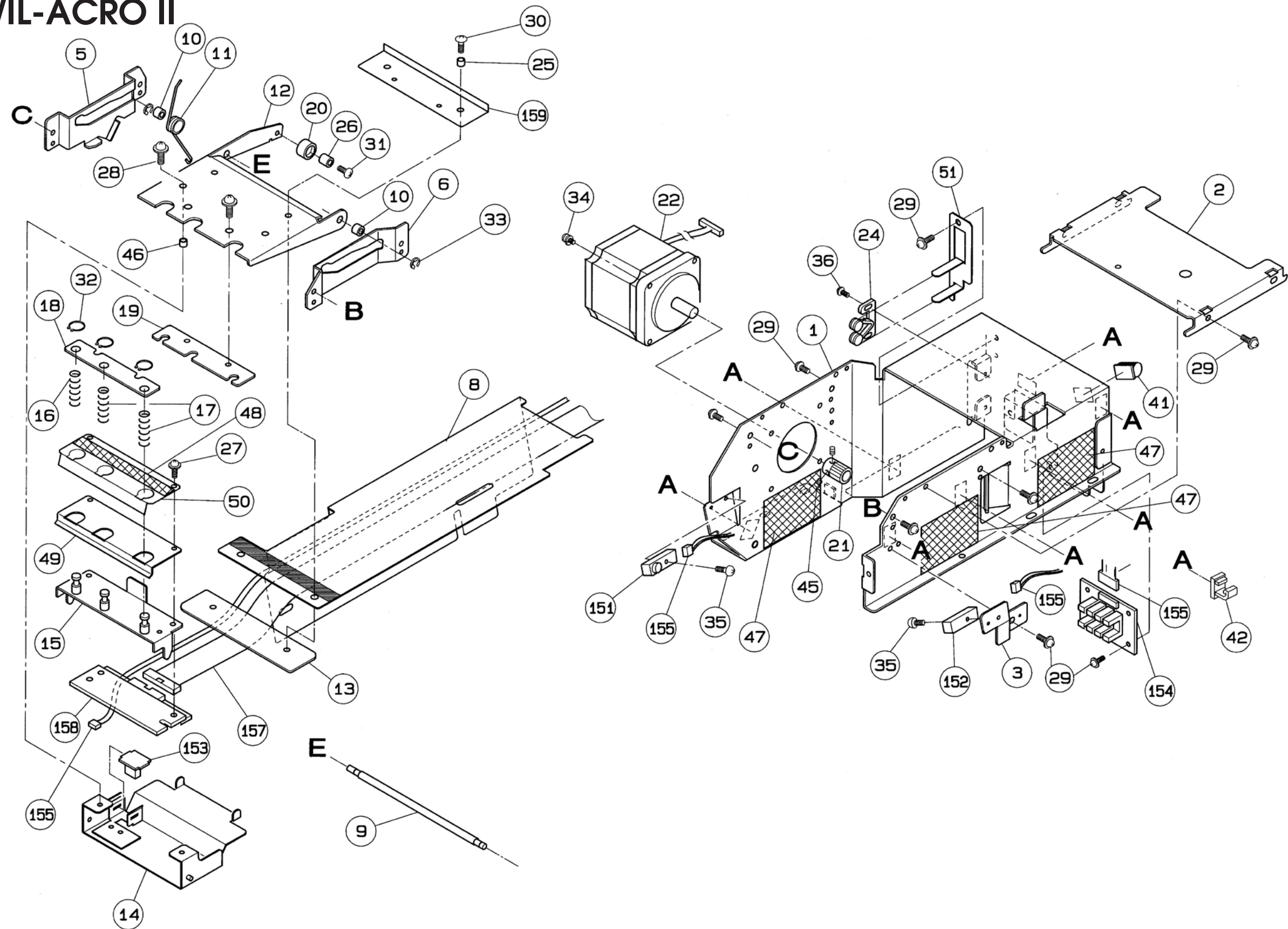
Part Number/Price

REF #	PART #	DESCRIPTION	QTY	SYNONYM	PRICE
1	Consult	Frame, printer	1	000-066-1832-22	Consult
2	Consult	Frame, printer, upper	1	000-066-4262-21	Consult
3	Consult	Bracket, sensor, R	1	000-066-4257-03	Consult
5	185707	Rail, printer, L	1	000-066-4363-05	\$10.00
6	185710	Rail, printer, R	1	000-066-4362-01	\$8.00
8	Consult	Sheet cover, harness	1	000-086-5256-20	Consult
9	Consult	Shaft, printer	1	000-064-0164-39	Consult
10	174991	Bush	2	000-066-7780-06	\$7.00
11	185711	Spring, coil	1	000-066-4251-01	\$9.00
12	163272	Bracket, printer	1	000-075-5569-01	\$32.00
13	115168	Plate A, SQ	1	000-066-4249-03	\$4.00
14	Consult	Press assembly, label sensor	1	000-066-4258-16	Consult
15	96434	Bracket, head	1	000-066-4253-18	\$30.00
16	96435	Spring, coil, compress	1	000-096-9830-03	\$3.00
17	96436	Spring, coil, compressive	2	000-096-9831-07	\$3.00
18	96437	Plate A, spring, support	1	000-066-4250-08	\$4.00
19	Consult	Stay, head, thermal	1	000-066-4261-09	Consult
20	47481	Stopper	1	000-000-9327-01	Consult
21	96367	Gear, flat	1	000-064-0171-26	\$7.00
22	185712	Motor assembly, stepping	1	000-149-0121-03	\$113.00
24	175360	Catch, roller	1	000-064-0344-05	\$4.00
25	115169	Collar, spacer	2	000-048-6074-02	\$2.00
26	46989	Collar, spacer	1	000-000-0391-07	\$2.00
27	48784	Tapping screw, M3x6 pan head SST	2	000-010-0725-06	\$2.00
28	42728	Tapping screw, M4x6 pan head flange washer SST	4	000-000-0436-01	\$2.00
29	47008	Tapping screw, M4x6 pan head flange washer zinc	12	000-000-0439-01	\$3.00
30	42851	Screw, cross truss, M4x10 button head SST	2	000-000-0239-03	\$2.00
31	185713	Screw, cross pan head, w/glue, M4x12 pan head SST	1	000-066-7811-09	\$2.00
32	47215	C ring, for shaft, M6 SST	3	000-036-0949-05	\$3.00
33	46986	E ring, M3 SST	2	000-000-0287-02	\$2.00
34	200524	Screw, cross pan head w/SW M4x10 zinc	4	000-065-1827-08	\$2.00
35	48240	Screw, cross pan head, M3x8 pan head SST	2	000-002-1850-08	\$1.00
36	200523	Tapping, screw M3x5 zinc	2	000-000-4826-04	\$2.00
41	Consult	Accessory, clamp, CKN clamp	1	000-007-5412-01	Consult
42	Consult	Accessory, clamp, wire	6	000-022-7035-09	Consult
45	84066	Set screw, hex socket, w-point, M4x4 SST	2	000-000-0469-03	\$2.00
46	175486	Collar, spacer	2	000-005-0812-04	\$2.00
49	96440	Cover, head	1	000-075-5776-14	\$10.00
50	Consult	Guide, label	1	000-075-5570-05	Consult
51	Consult	Catch, support	1	000-093-1681-04	Consult
151	171876	Peel sensor, transmitter, lower left	1	000-112-1169-16	\$17.00
152	171877	Peel sensor, receiver, upper right	1	000-112-1170-11	\$16.00
153	87533	Label gap sensor	1	000-105-5249-09	\$43.00
154	87532	Sensor, cassette number	1	000-064-5586-08	\$46.00
155	185714	Harness, C5, label sensor	1	100-016-7710-00	\$116.00
157	185720	Harness, C2, thermal head	1	100-016-7709-00	\$103.00
158	171875	Print head, thermal	1	100-010-2669-00	\$426.00
159	Consult	L plate b, hook	1	100-010-3650-00	Consult

See the [WIL-ACRO II Wiring Diagram on page 42](#) for harness details

Ishida WIL-ACRO II

Printer Unit



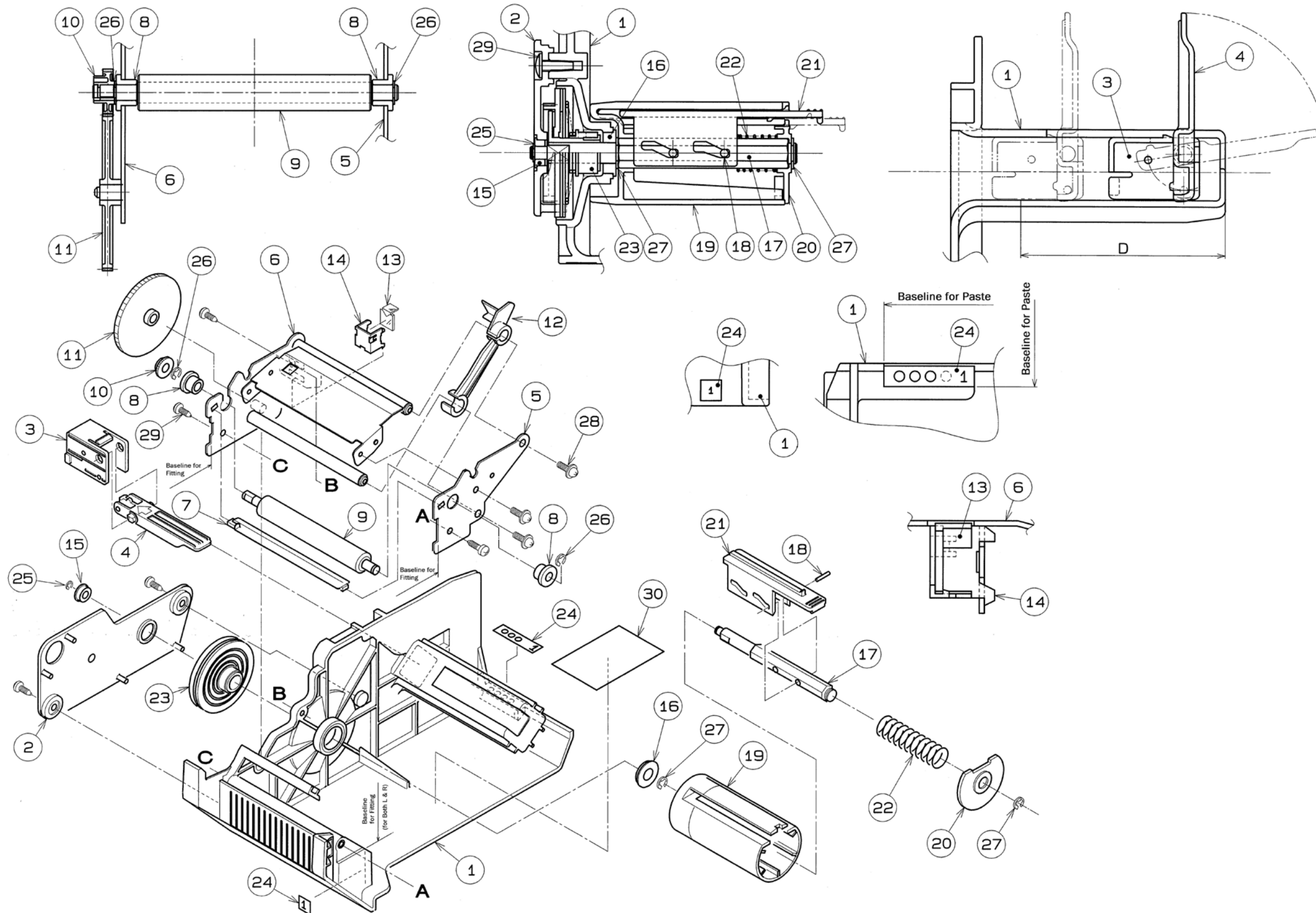
Cassette Unit

Part Number/Price

REF #	PART #	DESCRIPTION	QTY	SYNONYM	PRICE
1	Consult	Main body, printer, cassette	1	000-063-8272-21	Consult
2	Consult	Cover, gear	1	000-063-8270-23	Consult
3	175358	Holder, guide, lavel	1	000-063-8267-21	\$3.00
4	175359	Lever, guide, lavel	1	000-063-8414-22	\$3.00
5	Consult	Plate b, printing roller	1	000-064-0134-19	Consult
6	Consult	Flame, printing, L	1	000-064-0136-34	Consult
7	Consult	Plate assembly, peeling shaft	1	000-064-0062-23	Consult
8	93355	Bush	2	000-064-0201-24	\$5.00
9	93339	Roller, print	1	000-064-0202-37	\$25.00
10	93341	Gear, flat	1	000-063-8269-29	\$4.00
11	93340	Gear, flat	1	000-063-8268-25	\$3.00
12	100519	Guide, label	1	000-063-8271-18	\$3.00
13	198410	Block B, prism	1	000-063-8261-20	\$4.00
14	Consult	Bracket, prism	1	000-063-8262-05	Consult
15	93342	Bush	1	000-064-0058-19	\$4.00
16	172635	Bearing, radial	1	000-000-3727-05	\$14.00
17	157780	Shaft, step, winding	1	000-064-0175-21	\$25.00
18	157778	Spring pin	2	000-034-0034-03	\$2.00
19	101104	Bobbin, rolling	1	000-064-0176-24	\$6.00
20	157781	Cover, rolling	1	000-064-0174-27	\$3.00
21	101105	Holder, rolling, hold	1	000-064-0189-22	\$3.00
22	157782	Spring, coil compress	1	000-064-0192-06	\$3.00
23	116740	Torque, limiter	1	000-065-1663-04	\$46.00
24	182045	Seal, sensor	1	000-065-1664-26	\$12.00
25	46986	E ring, M3 SST	1	000-000-0287-02	\$2.00
26	46984	E ring, M4 SST	2	000-000-0288-06	\$2.00
27	46977	E ring, M6 SST	2	000-000-0290-04	\$2.00
28	201594	Tapping screw, M4x8 mm zinc plated	3	000-124-0225-03	\$4.00
29	200526	Tapping screw, cross bind, M4x10 SST	5	000-065-1665-01	\$2.00
30	Consult	Name plate, explanation	1	000-066-1810-02	Consult
ASSEMBLY	87514	Cassette unit, complete assembly	1	000-068-0599-07	\$243.00

Ishida WIL-ACRO II

Cassette Unit



Controller Unit

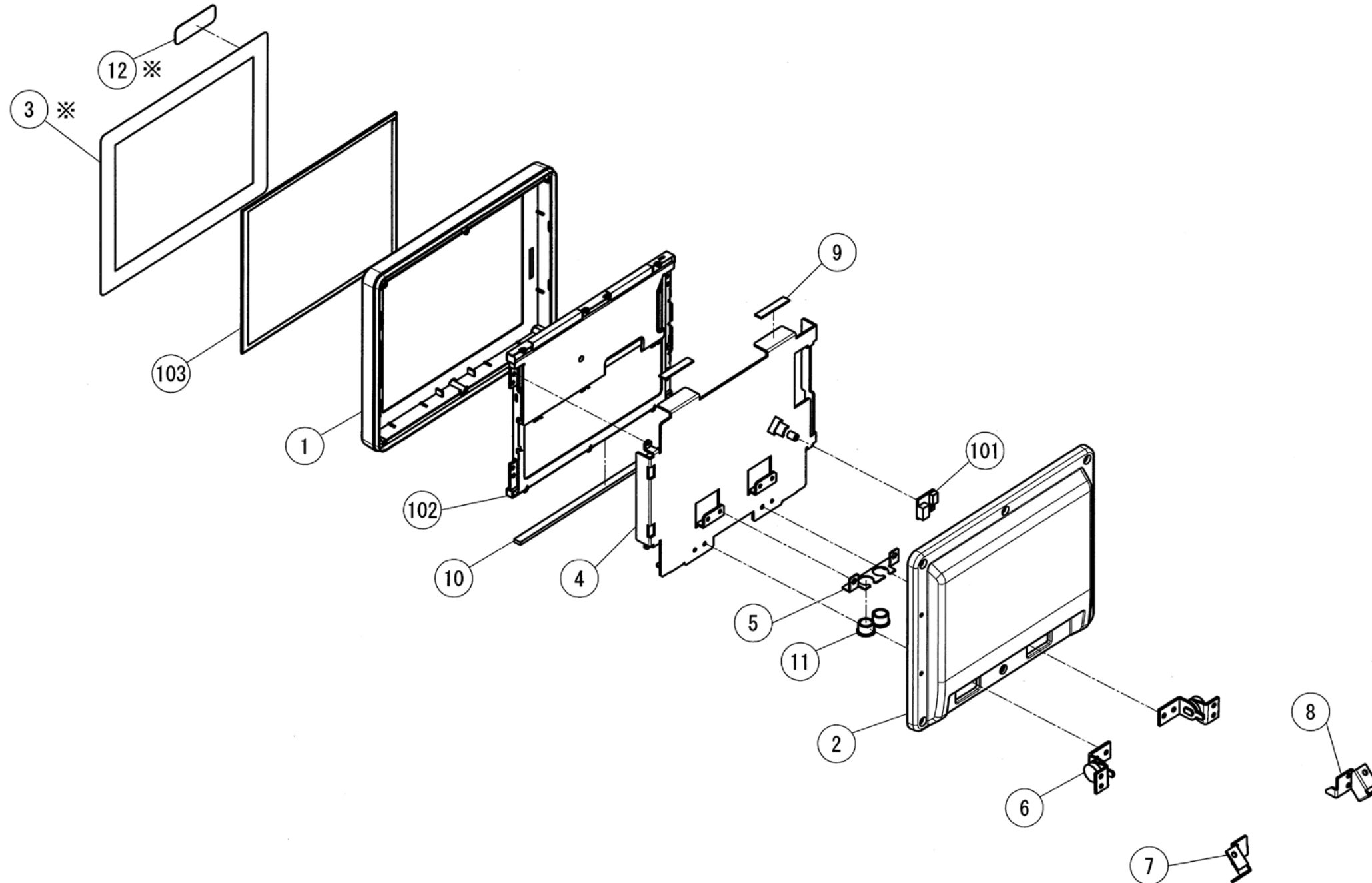
Part Number/Price

REF #	PART #	DESCRIPTION	QTY	SYNONYM	PRICE
1	185715	Case, controller, front	1	000-109-2163-10	\$17.00
2	198389	Case, controller, rear	1	000-109-2162-07	\$20.00
3	185574	Sheet, display	1	000-150-3175-09	\$231.00
4	Consult	Frame, controller	1	000-150-3133-02	Consult
5	Consult	Bracket, fix, harness	1	000-108-6452-13	Consult
6	198411	Hinge, torque	2	000-072-8703-02	\$33.00
7	198412	Bracket, display, R	1	000-072-8557-32	\$19.00
8	198413	Bracket, display, L	1	000-072-8556-39	\$19.00
9	Consult	Sheet	2	000-106-7218-08	Consult
10	Consult	Sheet	1	000-110-7849-03	Consult
11	Consult	Accessory, bush, open lock	2	000-013-8915-08	Consult
12	185575	Name plate, type	1	000-150-3176-03	\$110.00
101	198416	PWB, P-1033	1	000-117-2806-06	\$17.00
102	185546	Display, LCD	1	000-142-1591-03	\$506.00
103	87529	Touch panel, analog	1	000-091-8918-25	\$120.00
104	198414	Harness, C4, LCD	1	100-016-7698-00	\$156.00
105	198415	Harness, C2, touch panel	1	100-016-7699-00	\$55.00

See the [WIL-ACRO II Wiring Diagram on page 42](#) for harness details

Ishida WIL-ACRO II

Controller Unit



Ishida WM-Ai



Ishida WM-Ai

Applicator Control Unit - POP

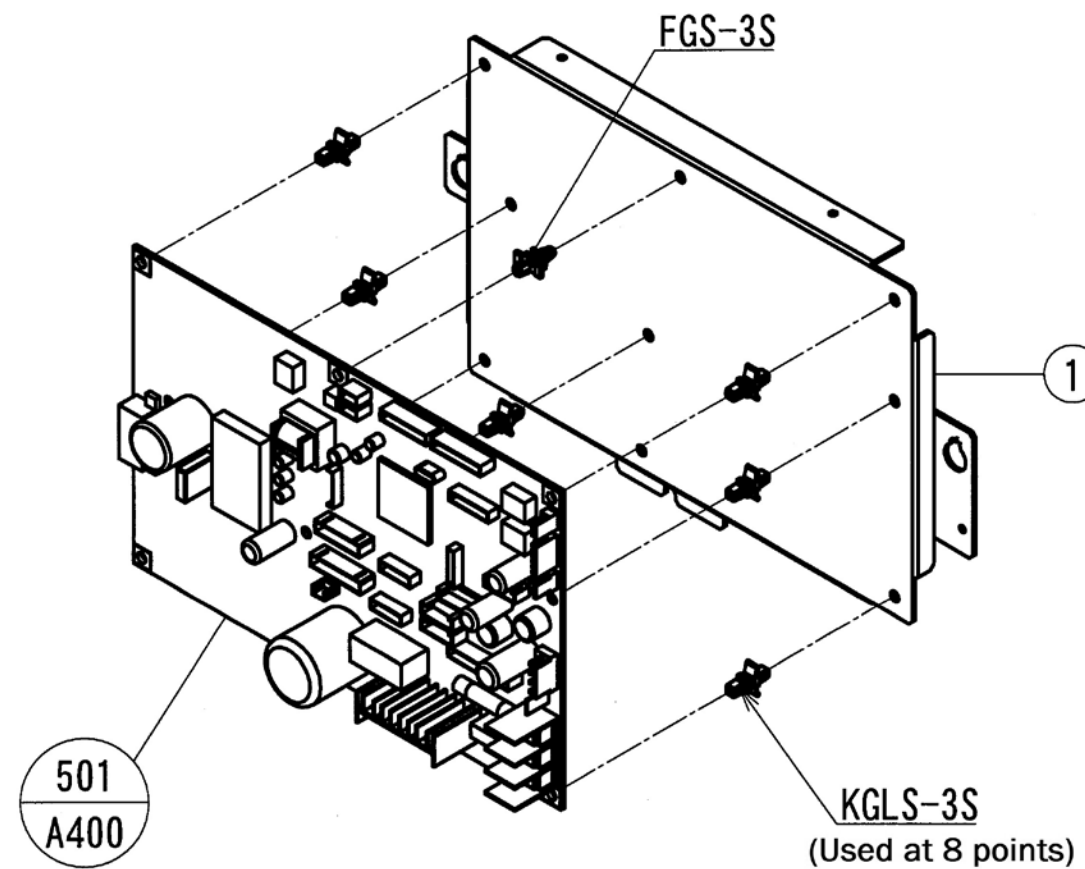
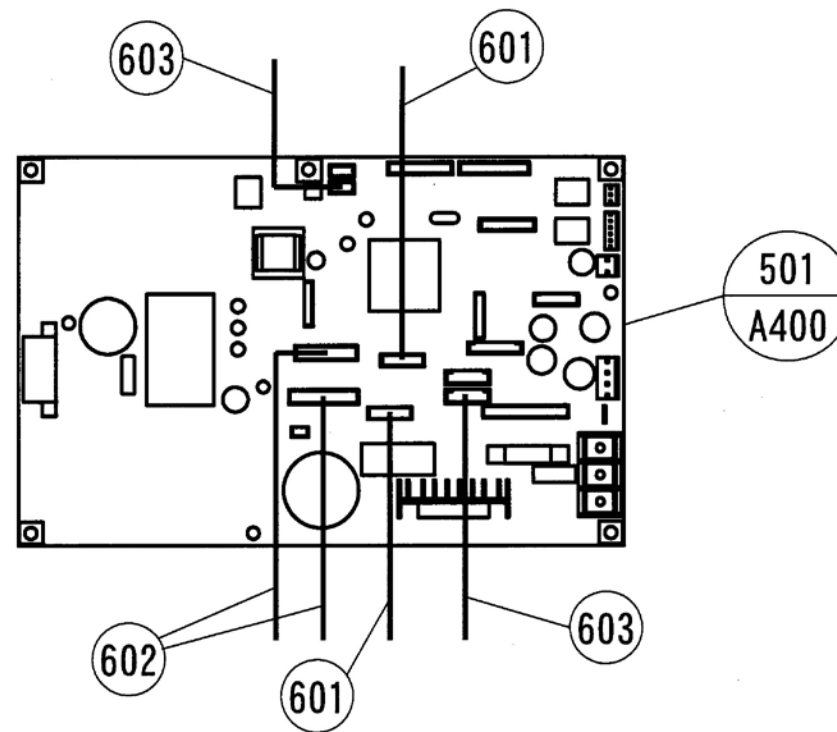
Part Number/Price

REF #	PART #	DESCRIPTION	QTY	SYNONYM	PRICE
1	Consult	Bracket, control, applicator	1	100-001-0326-01	\$74.00
501*	178205	PWB, P-1105C-2, pop printer motor/sensor controller, A400	1	000-151-6265-12	\$816.00
601	Consult	Harness, C4, signal (A400 XJ20 to A401 XJ7, A400 XJ21 to A402 XJ7)	1	100-007-8159-00	\$218.00
602	Consult	Harness, C5, junction (A400 XJ17 to A410 XJ15, A400 XJ18 to M201 and X403)	1	100-011-1230-00	\$77.00
603	Consult	Harness, C4, communication (A400 XJ5 to A200 XJ4, A400 XJ27 to A200 XJ26)	1	100-007-8190-00	\$106.00

* PN 171866 PWB, P-1105C-1 may also be used

Ishida WM-Ai

Applicator Control Unit - POP



Applicator Unit

Part Number/Price

REF #	PART #	DESCRIPTION	QTY	SYNONYM	PRICE
1	Consult	Bracket, applicator, X1	1	000-145-9825-05	\$80.00
2	193550	Shaft, linear, X1	2	000-108-0300-37	\$59.00
3	172606	Housing, linear, X	1	000-135-7086-03	\$21.00
4	157900	Bearing, linear bush, shaft X1	3	000-069-4929-04	\$27.00
5	Consult	Holder, belt, 128	1	000-136-3545-09	\$2.00
6	171872	Timing belt, XL	1	000-108-0399-17	\$13.00
7	Consult	Timing pulley, XL, AF	1	000-109-8408-13	\$12.00
8	172607	Pulley, tension	3	000-111-8488-03	\$12.00
9	203251	Shaft, bearing	3	000-108-0297-39	\$8.00
10	172573	Motor assembly, stepping X-axis, right/left, M103	1	000-138-2122-08	\$74.50
11	Consult	Bracket, applicator, Y	1	000-136-3560-05	\$77.00
12	193551	Shaft, linear, Y	1	000-108-0302-34	\$32.00
13	193552	Shaft, slide, Y	1	000-109-8410-30	\$15.00
14	172608	Housing, linear, Y	1	000-112-6778-03	\$37.00
15	172609	Bearing, linear bush, shaft Y	1	000-069-4928-01	\$42.00
16	Consult	Holder, belt, s-fold	1	000-136-3546-02	\$6.00
17	172610	Timing belt, S3M	1	000-112-6891-01	\$12.00
18	172611	Timing pulley, S3M BF motor Y	1	000-116-1762-05	\$14.00
19	172612	Motor assembly, stepping Y-axis, front/back, M104	1	000-138-2123-01	\$72.00
20	Consult	Bracket, applicator, Z1	1	000-136-3559-01	\$70.00
21	Consult	Bracket, rotation, lower	1	000-136-3558-07	\$28.00
22	Consult	Bracket, rotation, upper	1	000-136-3557-03	\$27.00
23	193553	Shaft, slide Z1	1	000-109-8409-17	\$16.00
24	193543	Block B, slide Z	1	000-112-6559-04	\$8.00
25	172613	Timing belt, S3M, step motor Z	1	000-141-6386-07	\$19.00
26	201858	Timing pulley, S3M, BF	1	000-140-7383-02	\$79.00
27	125715	Motor assembly, stepping Z-axis, up/down, M105	1	000-111-8337-04	\$158.00
28	172614	Timing belt, XL, rotation	1	000-020-0970-01	\$11.00
29	195586	Timing pulley, XL	1	000-059-8460-10	\$22.00
30	Consult	Timing pulley, XL	1	000-059-8296-42	\$30.00
31	Consult	Detect plate, rotation, upper	1	000-136-3549-03	\$3.00
32	Consult	Detect plate, rotation, lower	1	000-136-3548-00	\$3.00
33	172615	Bearing unit, linear rolling	1	000-072-5427-21	\$377.00
34	172616	Bearing, radial, deep groove	2	000-057-0387-08	\$36.00
35	172617	Motor assembly, stepping, rotation, M106	1	000-138-2124-05	\$67.00
36	Consult	Bracket, arm	1	000-108-0375-54	\$70.00
37	Consult	Bracket, fan	1	000-108-0366-79	\$24.00
38	78083	Bush	2	000-037-4818-02	\$4.00
39	Consult	Catch, magnet	1	000-112-6892-05	\$23.00
40	Consult	Bracket, magnet	1	000-136-3550-08	\$10.00
41	Consult	Plate, B, spring	1	000-112-6897-12	\$11.00
42	Consult	Shaft, fulcrum, suction	1	000-108-0377-24	\$6.00
43	Consult	Bracket, suction, upper	1	000-136-3556-00	\$63.00
44	Consult	Bracket, suction, lower	1	000-136-3553-09	\$48.00
45	Consult	Bracket, sensor, suction	1	000-136-3552-05	\$19.00
46	Consult	Bracket, slide, block	1	000-136-3551-01	\$14.00
47	Consult	Threaded rod, round, ff	2	000-108-0376-11	\$6.00
48	172618	Spring, coil, compressive	2	000-108-0374-14	\$3.00
49	Consult	L plate B, stopper	1	000-136-3555-06	\$5.00
50	Consult	Detect plate, suction	1	000-136-3554-02	\$6.00
51	172619	Spring, coil, compressive	1	000-108-0372-17	\$4.00
52	Consult	Block B, slider	1	000-111-8485-02	\$4.00
53	Consult	Sheet, applicator	1	000-111-8205-06	\$2.00
54	198789	Sheet, applicator	1	000-132-6314-07	\$4.00
55	210857	Cover assembly, harness	1	000-108-0361-61	\$88.00
56	Consult	Cover, applicator	1	000-086-7416-44	\$100.00

X-axis - right/left, Y-axis - front/back, Z-axis - up/down

Applicator Unit

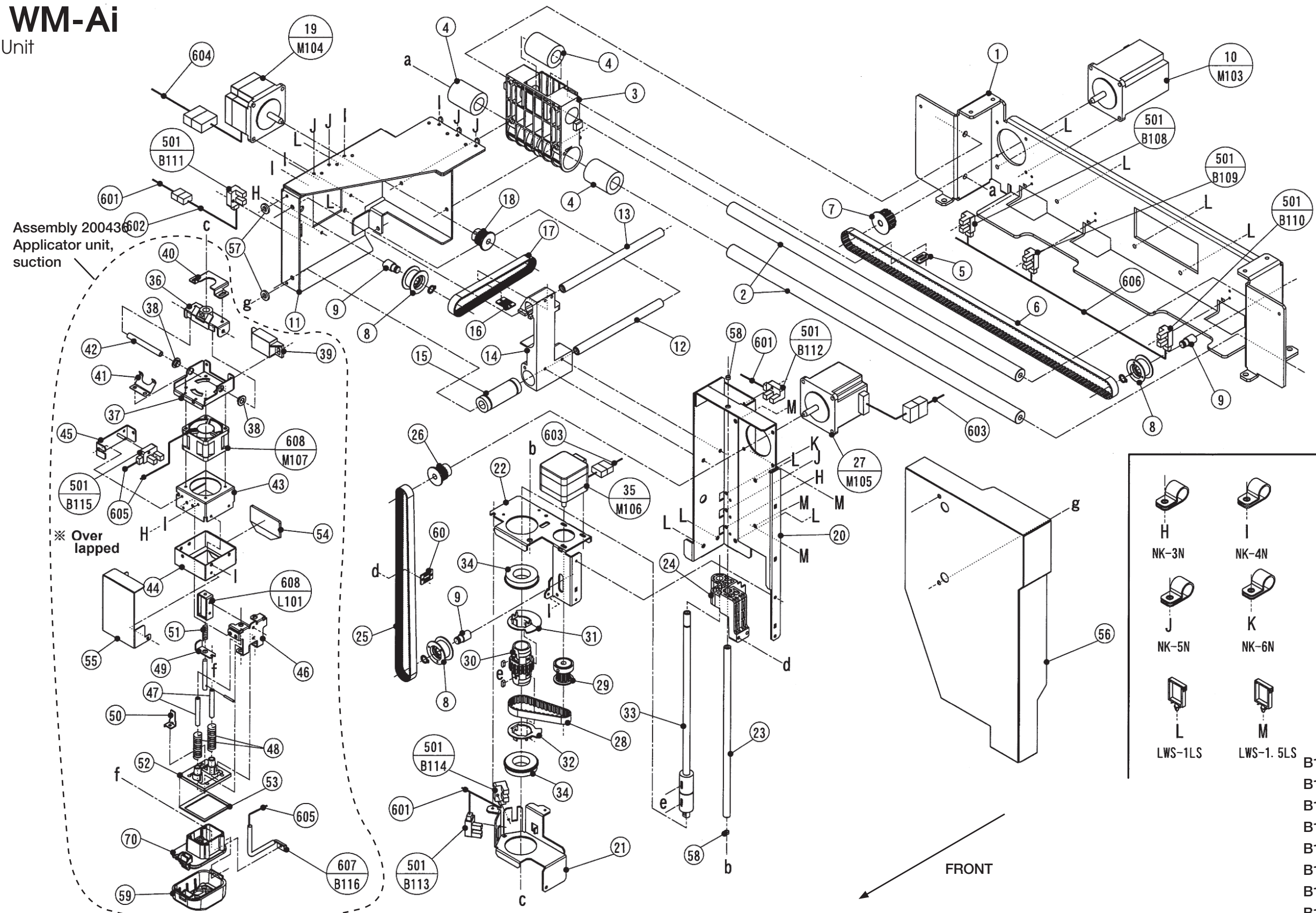
Part Number/Price

REF #	PART #	DESCRIPTION	QTY	SYNONYM	PRICE
57	Consult	Sheet	2	000-075-1075-12	\$4.00
58	Consult	Collar, spacer	2	000-113-7327-08	\$6.00
59	171864	Block B, suction, cushion, main	1	000-139-2565-02	\$15.00
60	Consult	Holder, belt, S3M	1	000-141-6390-02	\$8.00
70	172620	Block B, slide, suction	1	000-136-3989-18	\$8.00
501	104239	Photo interrupter, transmitter, white conn., B108-B115	8	000-070-5204-14	\$12.00
601	181498	Harness, C8, sensor move X-axis, Y-axis	1	000-135-0318-11	\$116.00
602	181499	Harness, C2, sensor Y-axis	1	000-135-0218-02	\$25.00
603	181500	Harness, C4, motor drive, Z-axis and rotation	1	000-136-3874-22	\$110.00
604	181501	Harness, C2, motor Y-axis	1	000-135-0226-02	\$47.00
605	172621	Harness, C4, coiled cable to B116 and M107 (suction fan)	1	000-135-0219-06	\$216.00
606	181502	Harness, C4, sensor X-axis	1	000-135-0228-00	\$15.00
607	172623	Sensor assembly, suction, label present, B116, 5-pin	1	000-135-0220-01	\$83.00
608	172624	Fan assembly, suction, M107, L101, 4-pin	1	000-143-5188-16	\$135.00
Assembly	200436	Applicator unit, suction, main		100-010-3956-00	\$685.00

X-axis - right/left, Y-axis - front/back, Z-axis - up/down

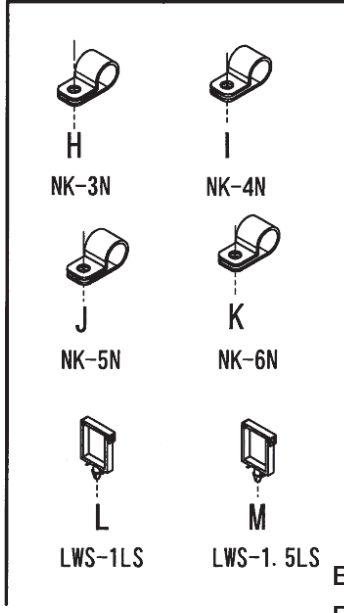
Ishida WM-Ai

Applicator Unit



Assembly 20043602
Applicator unit,
suction

※ Over lapped



- B108 - X-axis home position
- B109 - X-axis printer 1
- B110 - X-axis printer 2 (n/a)
- B111 - Y-axis home position
- B112 - Z-axis home position
- B113 - Rotation home position
- B114 - Rotation position
- B115 - Tray contact detector
- B116 - Label present detector

X-axis - right/left, Y-axis - front/back, Z-axis - up/down

Applicator Unit - POP

Part Number/Price

REF #	PART #	DESCRIPTION	QTY	SYNONYM	PRICE
1	Consult	Frame, applicator	1	100-010-7118-00	\$372.00
2	Consult	Shaft, linear	2	000-106-6899-29	\$55.00
3	172606	Housing, linear:X	1	000-135-7086-03	\$21.00
4	157900	Bearing, linear bush	3	000-069-4929-04	\$27.00
5	Consult	Holder, belt	1	000-136-3545-09	\$2.00
6	178201	Timing belt, XL	1	000-116-1996-19	\$16.00
7	Consult	Timing pulley, XL, AF	1	000-109-8408-13	\$12.00
8	172607	Pulley, tension	2	000-111-8488-03	\$12.00
9	Consult	Shaft, bearing	2	000-108-0297-39	\$6.00
10	172573	Motor assembly stepping X, M400	1	000-138-2122-08	\$74.50
11	Consult	Housing, linear	1	000-051-1076-00	\$23.00
12	Consult	Bracket, applicator	1	100-010-9478-00	\$88.00
13	Consult	Bracket, applicator	1	100-010-9480-01	\$129.00
14	Consult	Bracket, rotation, lower	1	000-136-3558-07	\$28.00
15	Consult	Bracket, rotation, upper	1	100-011-1266-00	\$81.00
16	193542	Shaft, slide, Z2	1	000-116-1714-15	\$47.00
17	193543	Block B, slide, Z	1	000-112-6559-04	\$8.00
18	178202	Timing belt, S3M	1	100-009-0902-00	\$47.00
19	201858	Timing pulley, S3M, BF	1	000-140-7383-02	\$79.00
20	125715	Motor assembly stepping, Z, M401	1	000-111-8337-04	\$158.00
21	Consult	Holder, belt, S3M	1	000-141-6390-02	\$8.00
22	172614	Timing belt, XL	1	000-020-0970-01	\$11.00
23	195586	Timing pulley, XL	1	000-059-8460-10	\$22.00
24	Consult	Timing pulley, XL	1	000-059-8296-42	\$30.00
25	Consult	Detecting plate, rotation, upper	1	100-003-3444-00	\$31.00
26	Consult	Detect plate, rotation, lower	1	000-136-3548-00	\$3.00
27	178203	Bearing Unit, linear rotation	1	000-116-1707-19	\$853.00
28	172616	Bearing, radial, deep groove	2	000-057-0387-08	\$36.00
29	172617	Motor assembly stepping, rotation, M402	1	000-138-2124-05	\$67.00
30	Consult	Bracket, arm	1	000-122-1605-13	\$215.00
31	Consult	Shaft, fulcrum, suction	1	000-122-1606-16	\$36.00
32	78083	Bush	2	000-037-4818-02	\$4.00
33	Consult	Bracket, fan	1	100-009-5899-01	\$63.00
34	Consult	Catch, magnet	1	000-112-6892-05	\$23.00
35	Consult	Spring, plate, applicator	1	100-011-0990-00	\$27.00
36	Consult	Spacer, suction	1	100-011-0983-01	\$29.00
37	Consult	Block B, suction, upper	1	000-122-1995-06	\$115.00
38	Consult	Bracket, suction, slider	1	100-011-0733-01	\$55.00
39	Consult	Threaded rod, round, FF	2	000-108-0376-11	\$6.00
40	172618	Spring, coil, compressive	2	000-108-0374-14	\$3.00
41	Consult	Block B, suction, slide	1	000-122-1996-00	\$115.00
42	Consult	Detect plate, suction	1	000-122-1610-11	\$94.00
43	Consult	Bracket, sensor	1	100-007-8595-01	\$41.00
44	178204	Block B, suction, cushion, pop	1	100-011-0955-01	\$146.00
—	42631	Screw, countersunk, M3 0.5 x 6 mm, applicator cushion mount	2	002-1911-01	\$2.00
45	Consult	Cover, harness	1	100-011-0982-01	\$48.00
46	200458	Tapping screw, cross pan head, M3x40 SST	4	000-125-5199-04	\$5.00
501	171859	PWB P-1006C-5, rotation (O-axis), A401	1	000-139-9340-06	\$200.00
502	171860	PWB P-1006C-6, X-axis, Z-axis, A402	1	000-139-9341-00	\$223.00
503	178184	Power supply, switching, LFP150-24-GJ1Y, U400, U401	2	100-010-4289-00	\$222.00
504	171868	Electromagnetic contactor, K400	1	000-092-5601-03	\$59.00
505	72857	Fuse holder, terminal type	1	000-000-4119-04	\$11.00
506	72856	Fuser holder, terminal type	3	000-040-2724-07	\$11.00
507	125707	Fuse, glass tube, 6A, 250V, 3AG	4	000-069-2407-00	\$6.00
508	Consult	Fan assembly PS	1	000-111-8425-09	\$59.00
509	104239	Photo interruptor, transmitter, white conn., B401-B403, B406-B407	1	000-070-5204-14	\$12.00
510	171837	Photo interruptor, trans, straight connector, B404	1	000-132-6468-07	\$21.00

Note: X-axis - right/left, Z-axis - up/down

Applicator Unit - POP

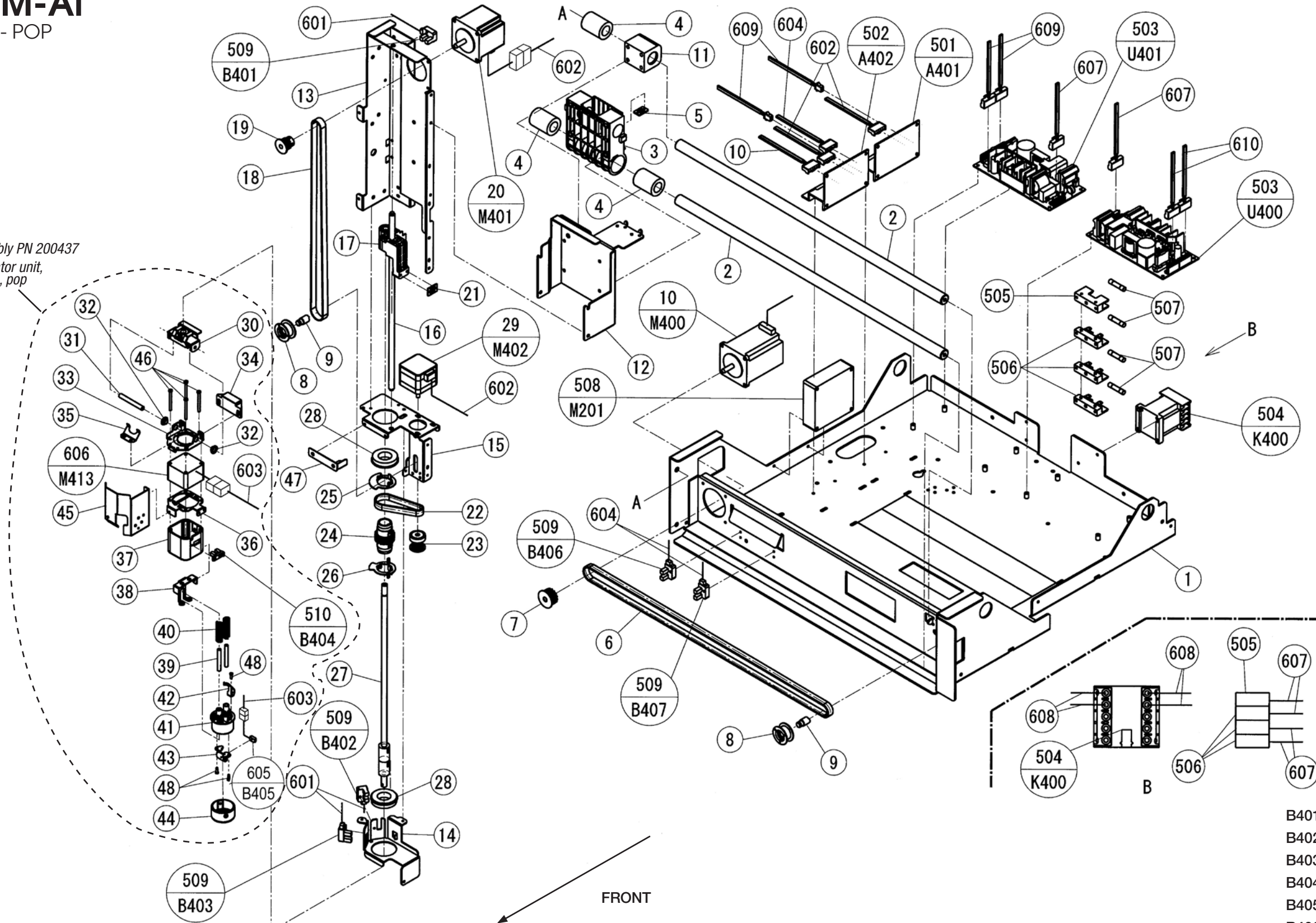
Part Number/Price

REF #	PART #	DESCRIPTION	QTY	SYNONYM	PRICE
601	178211	Harness, C6 (A401 XJ5 to B401, B402, B403, X403 and X401)	1	100-007-7776-00	\$210.00
602	178212	Harness, C4 (A401 XJ4 to M402 and A402 XJ4 to M401)	1	100-011-0957-00	\$159.00
603	178213	Harness, C3 coiled cable to B405, M413	1	100-011-1342-01	\$218.00
604	Consult	Harness, C3 (A402 XJ5 to B406, B407)	1	100-007-7835-00	\$63.00
605	178214	Sensor assembly suction, 4-pin, B405	1	100-007-7769-01	\$125.00
606	178215	Fan assembly, M413, 5-pin	1	100-007-9342-01	\$106.00
607	Consult	Harness, C6, power supply AC (F400, F401 to U400 CN1 and F402, F403 to U401 CN1)	1	100-007-7772-00	\$48.00
608	Consult	Harness, C10, MC (K400 to A400 XJ8 and K400-A2 to K101-A1 and K401-33 to K101-A2)	1	100-011-0876-00	\$68.00
609	Consult	Harness, C4, power DC (U401 CN2, CN3 to A401 XJ1 and A402 XJ1)	1	100-011-1261-00	\$48.00
610	Consult	Harness, C3, power DC (U400 CN2, CN3 to A400 XJ12 and A410 XJ19)	1	100-007-7771-00	\$74.00
Assembly	200437	Applicator unit, suction, pop (includes coiled cable)		100-027-5197-00	\$1,193.00

Ishida WM-Ai

Applicator Unit - POP

Assembly PN 200437
Applicator unit,
suction, pop



- B401 - Z-axis home position
- B402 - Rotation position, upper flag
- B403 - Rotation position, lower flag
- B404 - Tray contact detector
- B405 - Label present detector
- B406 - X-axis label pickup position
- B407 - X-axis home position

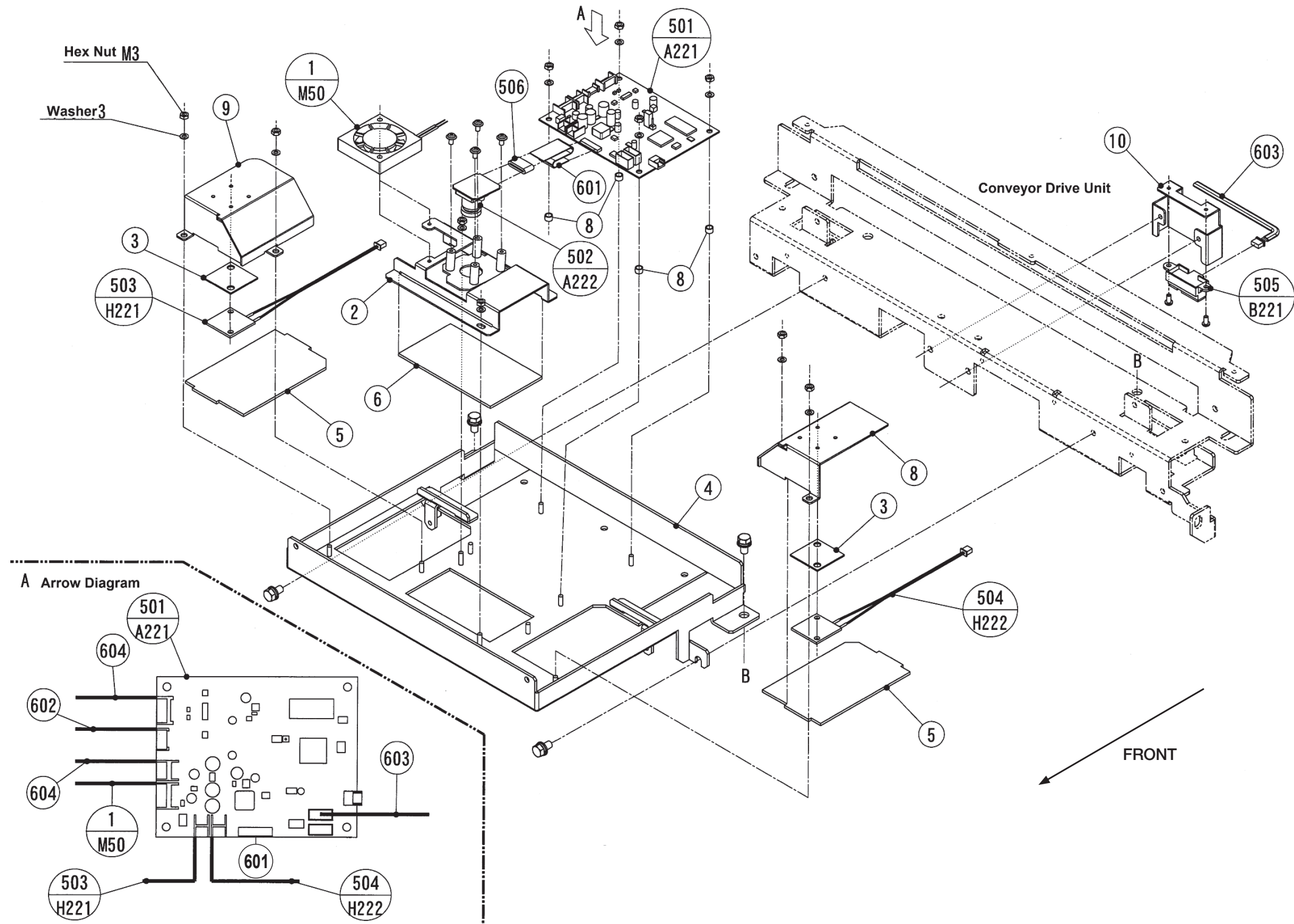
Camera Unit

Part Number/Price

REF #	PART #	DESCRIPTION	QTY	SYNONYM	PRICE
1	172625	Fan assembly, M50	1	000-111-8421-04	\$67.00
2	189291	Bracket, camera	1	000-134-8969-35	\$120.00
3	Consult	Sheet, thermo	2	000-086-7211-11	\$2.00
4	Consult	Frame, conveyor, lower	1	000-138-2046-17	\$214.00
5	189292	Plate B, filter, LED	2	000-139-9264-15	\$15.00
6	189293	Plate, camera	1	000-139-9263-21	\$79.00
7	115169	Collar, spacer	4	000-048-6074-02	\$2.00
8	Consult	Cover, reflect	1	000-113-7210-06	\$52.00
9	Consult	Cover, reflect	1	000-113-7211-00	\$52.00
10	Consult	Bracket, sensor	1	000-146-5037-19	\$15.00
501	171865	PWB P-1107, camera controller, A221	1	000-135-4849-18	\$462.00
502	172626	Camera, CMOS, A222	1	000-135-4858-01	\$345.00
503	172627	LED assembly, left, H221	1	100-000-2339-00	\$92.00
504	172628	LED assembly, right, H222	1	100-000-2338-00	\$92.00
505	172629	Sensor, tray volume/height, B221	1	000-137-0747-01	\$42.00
506	Consult	Filter, ferrite core	1	000-138-2284-08	\$2.00
601	201984	Harness, S2, FPC (P-1107 A221 XJ4 to camera A221)	1	000-135-4859-04	\$5.00
602	208908	Harness, C3, detect (P-1006 A202 XJ5 to P-1107 A221 XJ10 and X209)	1	000-148-4468-02	\$16.00
603	Consult	Harness, C2, sensor (P-1107 A221 XJ14 to volume sensor B221)	1	000-134-8984-31	\$59.00
604	203315	Harness, C4, detect (P-1107 A221 XJ9 and XJ11 to X50 and X221)	1	100-006-4243-00	\$67.00

Ishida WM-Ai

Camera Unit



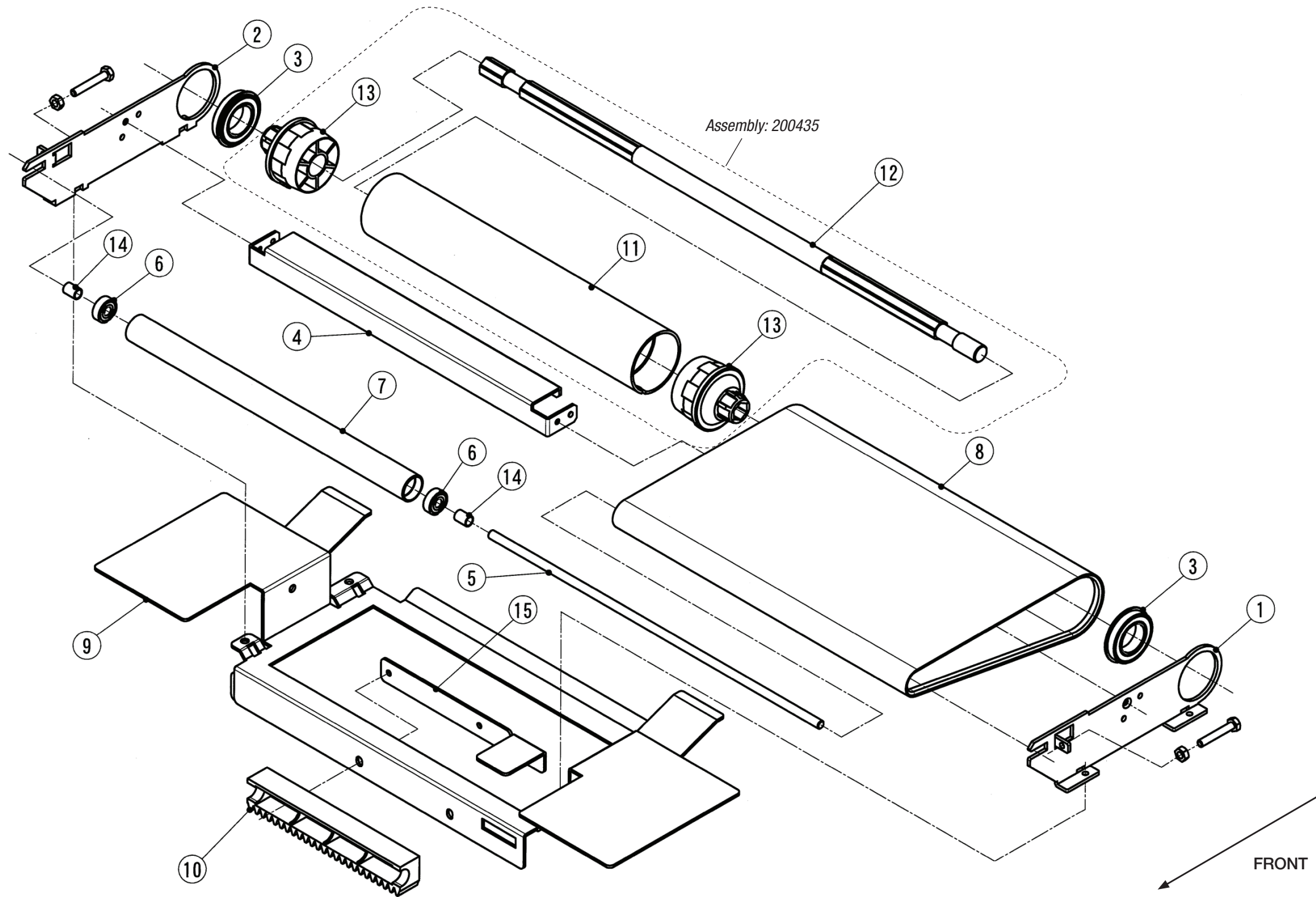
Centering Unit

Part Number/Price

REF #	PART #	DESCRIPTION	QTY	SYNONYM	PRICE
1	185566	Frame, conveyor, centering	1	100-001-5946-00	\$9.00
2	185567	Frame, conveyor, centering	1	100-001-5947-00	\$9.00
3	172510	Bearing, radial, deep groove	2	000-076-1701-09	\$27.00
4	185568	Supporter, belt, centering	1	000-106-6977-26	\$38.00
5	182975	Shaft, follower	1	000-149-6861-09	\$87.00
6	172511	Bearing, radial	2	000-037-5046-08	\$16.00
7	182976	Roller, follower	1	000-149-6860-04	\$75.00
8	172513	Flat belt, centering, blue	1	000-149-6857-02	\$123.00
9	185571	Bracket, rack	1	000-149-6879-14	\$116.00
10	157896	Gear, rack	1	000-076-1842-01	\$8.00
11	182977	Roller, drive	1	000-149-6859-00	\$92.00
12	182978	Shaft, drive	1	000-106-6973-12	\$133.00
13	182979	Bush, roller	2	100-001-5929-00	\$3.00
14	182980	Collar	2	100-000-4491-00	\$50.00
15	185576	Bracket, gear, rack	1	000-150-3045-09	\$24.00
Assembly	186569	Centering unit assembly	1	000-150-3106-05	\$638.00
Assembly	200435	Roller assembly, drive WM-Ai (includes: 182977 drive roller, 182978 100-021-9297-00 shaft and two 182979 roller bushing)		100-021-9297-00	\$405.00

Ishida WM-Ai

Centering Unit



PN 186569 Centering Unit

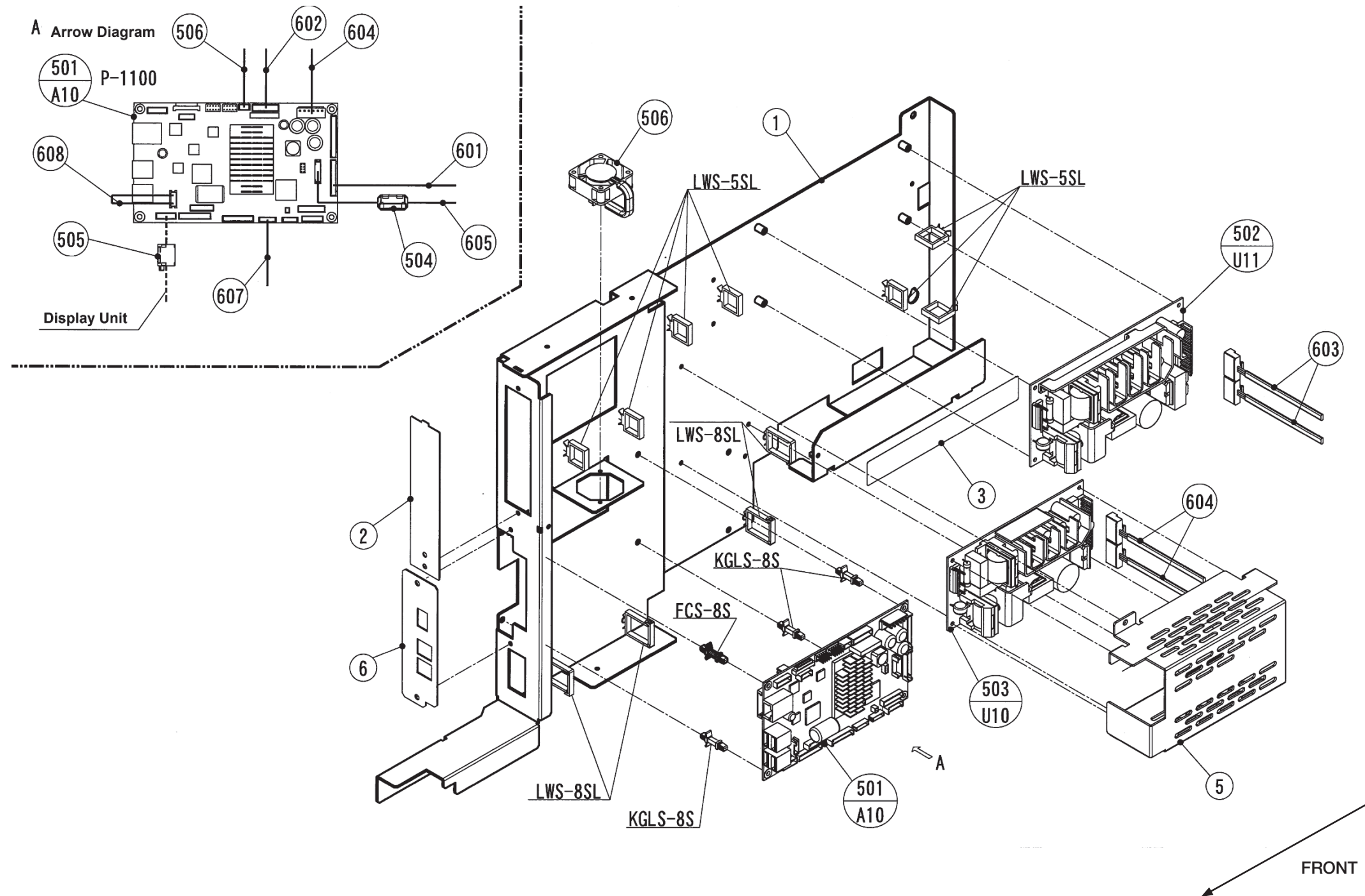
Control Unit, Upper Right Side

Part Number/Price

REF #	PART #	DESCRIPTION	QTY	SYNONYM	PRICE
1	Consult	Frame, console	1	000-135-2740-46	\$197.00
2	Consult	Cover, connector	1	000-135-2743-19	\$5.00
5	Consult	Chassis, PS	1	000-149-6873-02	\$29.00
6	Consult	Plate B, connector	1	000-135-2742-06	\$22.00
501	158280	PWB, P-1100A-2, main CPU board, A10	1	100-002-9442-00	\$1,744.00
—	200241	CF card, SSD with OS, WM-Ai	1	—	\$379.00
—	171871	CF card, SSD with OS, WM-Ai-P Day Glow	1	—	\$393.00
502	171861	Power supply, switching, U11, LFP240F-24-J1Y	1	000-148-4467-09	\$270.00
503	171862	Power supply, switching, U10, LFP150F-24-J1Y	1	000-148-4466-05	\$130.00
504	186522	Filter, ferrite core	1	000-096-9524-03	\$11.00
505	186521	Filter, ferrite core	1	000-072-2454-03	\$12.00
506	172639	Fan assembly	1	100-000-6996-00	\$110.00
601	196744	Harness, C4, sensor (P-1100 A10 XJ21 to X10, X11, and X12)	1	000-147-0895-18	\$77.00
602	196745	Harness, C2, motor (P-1100 A10 XJ18 to M10)	1	000-135-0129-22	\$72.00
603	196746	Harness, C3, power DC (U11 CN2 and CN3 to X13)	1	100-002-4159-00	\$37.00
604	196747	Harness, C3, power DC (U10 CN2 and CN3 to P-1100 A10 XJ13)	1	000-149-0057-08	\$67.00
605	196748	Harness, C2, XJ16, scale (Connects via 176681 and 196743 to A/D A40 XJ1)	1	000-133-8359-27	\$92.00
606	196749	Harness, C7, comm (P-1100 A10 XJ23 and XJ25 to A200 JX16, A100 XJ17 and XJ26, and X30)	1	100-006-4242-00	\$136.00
607	196750	Harness, C2, signal	1	000-135-7117-23	\$30.00
608	186520	Harness, S1, jumper (P-1100 A10 XJ15)	1	000-133-8499-16	\$8.00
Wireless Option					
999	119158	PWB PK-265A, RF wireless card, Wi-Port		000-089-8141-00	\$623.50
999	119159	Antenna		089-5639-06	\$89.00
—	170990	Assembly, option, RF WLAN Kit, WM-Ai		—	\$835.00

Ishida WM-Ai

Control Unit, Upper Right Side



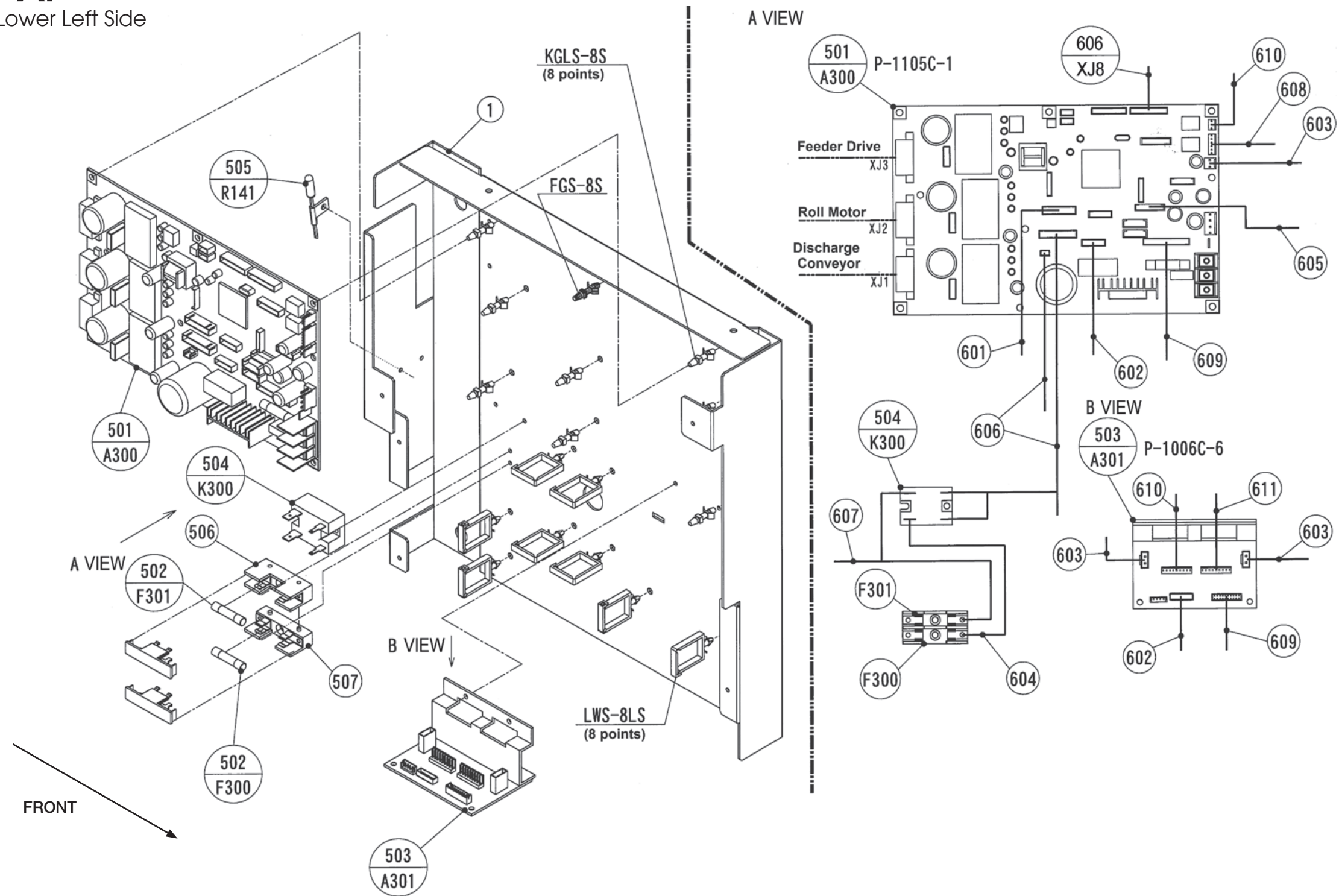
Control Unit - Film, Lower Left Side

Part Number/Price

REF #	PART #	DESCRIPTION	QTY	SYNONYM	PRICE
1	Consult	Bracket, control, roll	1	000-135-2621-35	\$71.00
501	171866	PWB, P-1105, C-1, film feeder drive, film roll drive, discharge conveyor, A300	1	000-149-6592-16	\$1,159.00
502	47075	Fuse, glass tube, 5A, 250V, 3AG, F300,F301	2	000-033-3882-09	\$4.00
503	171860	PWB, P-1006, C-6, film insertion switching, A301	1	000-139-9341-00	\$223.00
504	125708	Relay, solid, state, K300	1	000-086-7316-09	\$21.00
505	172632	Thermistor assembly, film heater, right, R141, 3.3K ohm	1	000-111-8426-11	\$29.00
506	72857	Fuse holder, terminal type	1	000-000-4119-04	\$11.00
507	72856	Fuse holder, terminal type	1	000-040-2724-07	\$11.00
601	Consult	Harness, C4, brake lower (A300 XJ17 to Y301, E300)	1	100-001-4267-01	\$70.00
602	206971	Harness, C2, signal (A300 XJ21 to A301 XJ7)	1	000-133-8363-22	\$29.00
603	Consult	Harness, C4, power DC (A300 XJ11 to A301 XJ2 and A301 XJ1 to X206)	1	000-135-0064-33	\$23.00
604	Consult	Harness, C2, fan heater (F300 to K300-1)	1	000-135-0307-29	\$13.00
605	Consult	Harness, C2, fan heater thermistor (A300 XJ25 to R141)	1	000-135-0308-22	\$10.00
606	204808	Harness, C17, roll encoder (A300 XJ8, XJ18 to Y300, K300, B302, B303, B310, M305, M306, S300, S301)	1	100-001-2949-02	\$75.00
607	Consult	Harness, C3, fan heater (F301 to X307 to K300-2)	1	000-137-8075-01	\$11.00
608	Consult	Harness, C3, cutter (A300 XJ10 to L300, L301)	1	000-133-8329-16	\$18.00
609	206593	Harness, C8, change sensor (A300 XJ2 to B300, B301, B305, B307 and A301 XJ5 to B304, B309)	1	000-134-8952-24	\$140.00
610	Consult	Harness, C4, change motor (A300 XJ9 to L302 and A301 XJ6 to M304)	1	000-134-8953-36	\$94.00
611	Consult	Harness, C2, insert (A301 XJ4 to M303)	1	000-135-0128-39	\$20.00

Ishida WM-Ai

Control Unit - Film, Lower Left Side



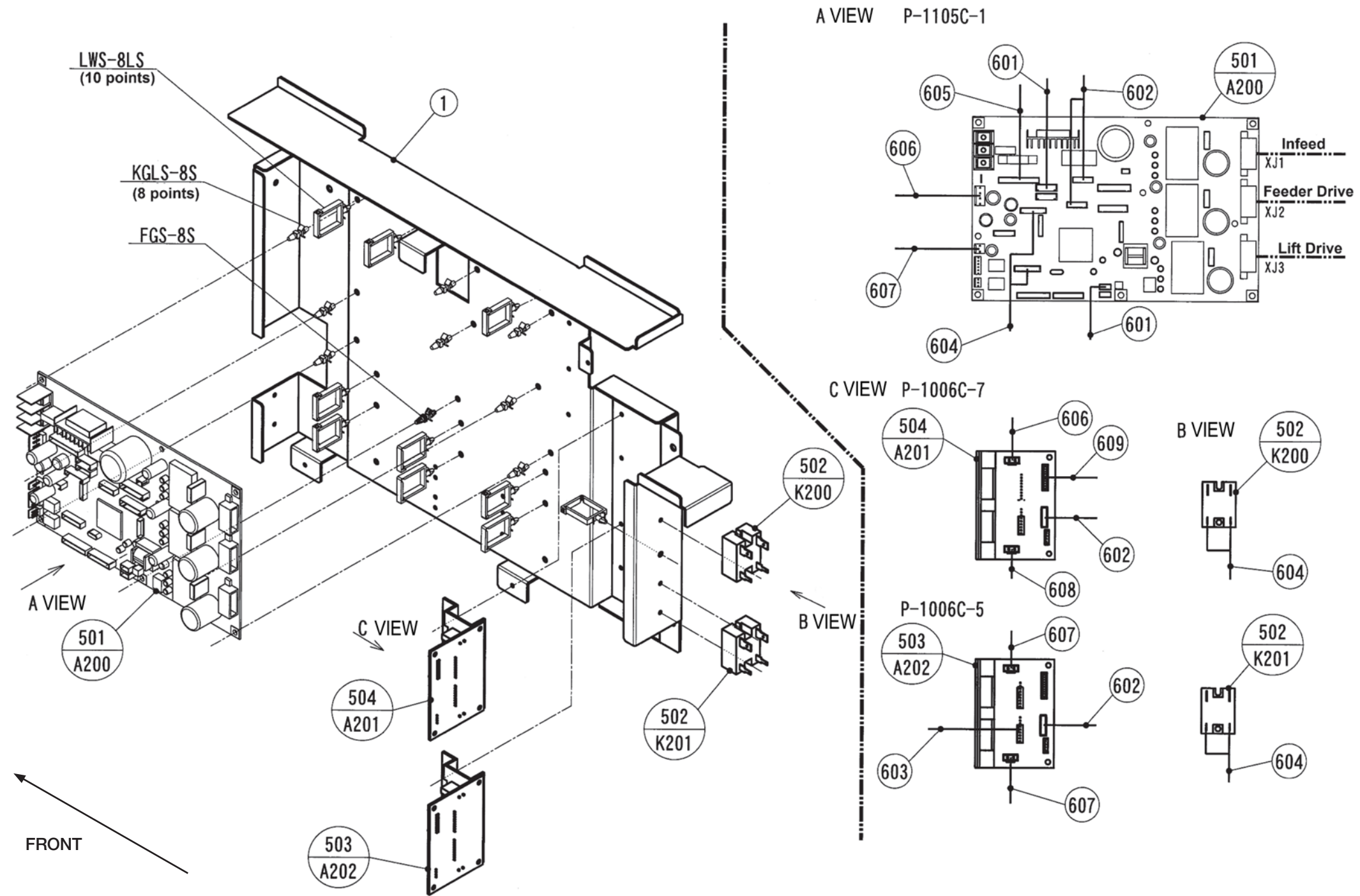
Control Unit - Lift, Lower Right Side

Part Number/Price

REF #	PART #	DESCRIPTION	QTY	SYNONYM	PRICE
1	Consult	Frame, control, lift R	1	000-135-2863-51	\$141.00
501	171866	PWB P-1105 C-1, infeed, lift, film rear feeder move, A200	1	000-149-6592-16	\$1,159.00
502	125708	Relay, solid state, K200 (front seal heater), K201 (rear seal heater)	2	000-086-7316-09	\$21.00
503	171859	PWB, P-1006, C-5, tray centering, tray press, A202	1	000-139-9340-06	\$200.00
504	171869	PWB, P-1006, C-7, front film, feeder move, A201	1	000-139-9342-03	\$170.00
601	203537	Harness, C4, communication (A200 XJ5, XJ27 to A300 XJ5, XJ27)	1	000-133-8323-23	\$103.00
602	203538	Harness, S4, signal (A200 XJ20 to A202 XJ7)	1	000-133-8328-21	\$55.00
603	203539	Harness, C2, tray press (A202 XJ6 to M174)	1	000-133-8331-23	\$19.00
604	203540	Harness, C8, sealing heater (A200 XJ22, XJ25 to K200, K201, R1, and R2)	1	000-134-8935-48	\$33.00
605	203541	Harness, C6, sensor (A200 XJ28 to B214, B215, B216, and X213)	1	000-134-8978-20	\$37.00
606	203542	Harness, C3, power DC (A200 XJ12 to A201 XJ1 and X108)	1	000-134-8985-26	\$25.00
607	203543	Harness, C4, power DC (A200 XJ11 to A202 XJ2 and A202 XJ1 to X205)	1	000-134-8987-23	\$22.00
608	203544	Harness, C2, power DC (A201 XJ2 to A300 XJ12)	1	000-134-8988-18	\$16.00
609	203545	Harness, C2, front film feeder move (A201 XJ6 to M121)	1	000-137-0934-10	\$21.00

Ishida WM-Ai

Control Unit - Lift, Lower Right Side



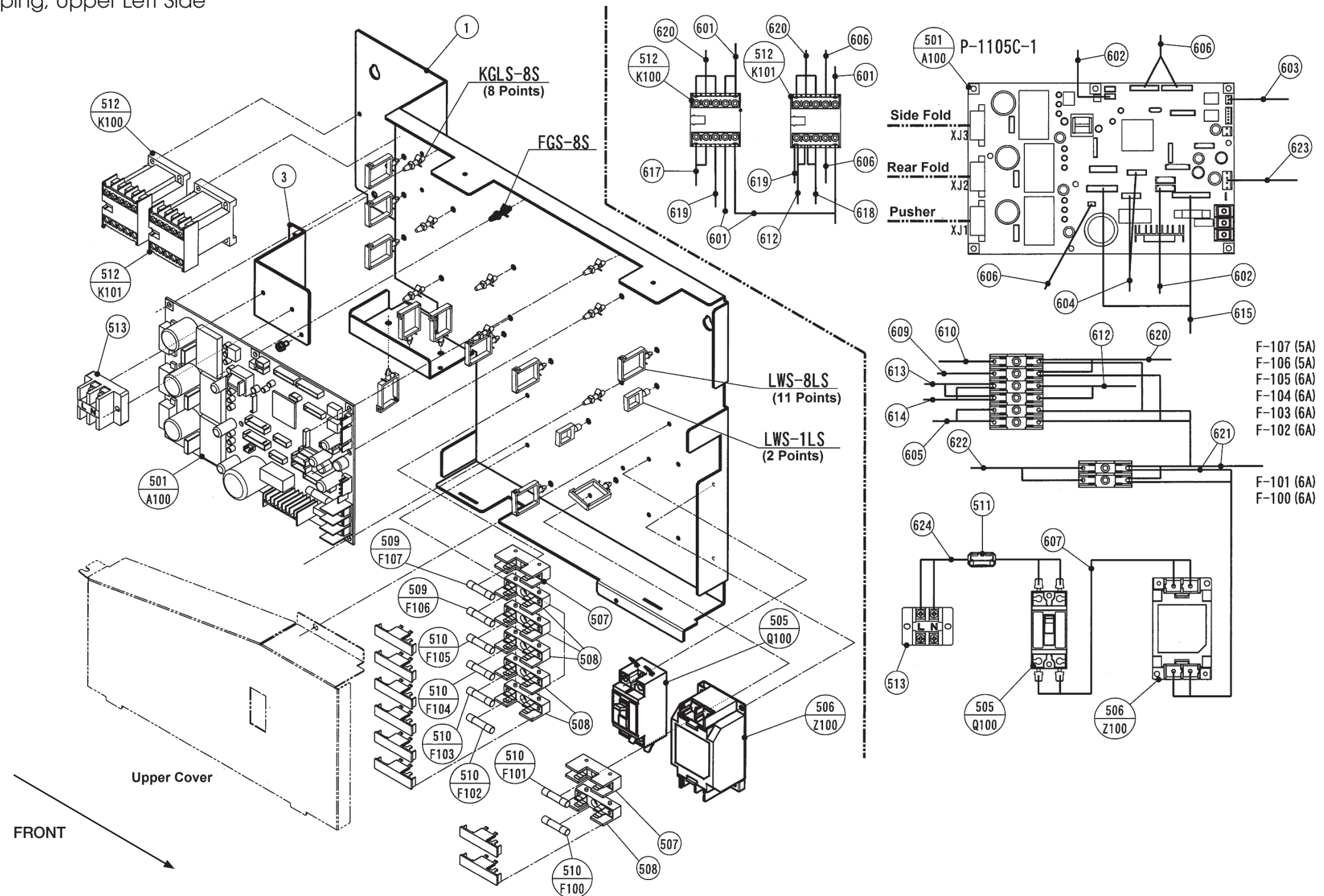
Control Unit - Wrapping, Upper Left Side

Part Number/Price

REF #	PART #	DESCRIPTION	QTY	SYNONYM	PRICE
1	Consult	Frame, control, wrap	1	000-135-2662-74	\$77.00
3	Consult	Crank plate B, fixed, terminal	1	000-135-0275-05	\$32.00
501	171866	PWB P-1105 C-1, side wrap, rear wrap, discharge pusher, A100	1	000-149-6592-16	\$1,159.00
505	172630	Breaker, leak, Q100	1	000-086-7453-06	\$72.00
506	172631	Filter, noise, AC line, Z100	1	000-137-0733-09	\$87.00
507	72857	Fuse holder, terminal type	2	000-000-4119-04	\$11.00
508	72856	Fuse holder, terminal type	6	000-040-2724-07	\$11.00
509	47075	Fuse, glass tube, 5A, 250V, 3AG, F106, F107	2	000-033-3882-09	\$4.00
510	125707	Fuse, glass tube, 6A, 250V, 3AG, F100-F105	6	000-069-2407-00	\$6.00
511	186521	Filter, ferrite core	1	000-072-2454-03	\$12.00
512	171868	Electromagnetic contractor, K100, K101	2	000-092-5601-03	\$59.00
513	207395	Terminal block	1	000-135-0067-07	\$13.00
601	Consult	Harness, C10, SW (K100-A1 and K100-A2 to X306 and X102)	1	000-135-0402-39	\$25.00
602	Consult	Harness, C4, communication (A100 XJ5 to A300 XJ4)	1	000-133-8322-11	\$115.00
603	Consult	Harness, C2, heater guard (A100 XJ9 to L100)	1	000-133-8324-18	\$35.00
604	Consult	Harness, S4, signal (A100 XJ20 to A101 XJ7 and A100 XJ21 to A102 JX7)	1	000-133-8325-21	\$48.00
605	Consult	Harness, C3, power AC (U11 CN1 to F102 and F103)	1	000-133-8340-27	\$14.00
606	211517	Harness, C17, signal (A100 XJ8 to B100, B101, B102, X61, X100, X101, and X102)	1	100-003-2493-00	\$186.00
607	Consult	Harness, C4, noise filter (Q100 to Z100)	1	000-134-8924-29	\$9.00
609	Consult	Harness, C4, seal heater (F106 to K200-1 and K201-1)	1	000-134-8933-22	\$16.00
610	Consult	Harness, C6, seal heater (F107 to X213 (E201) and X212 (E200) to K200-2 and K201-2)	1	000-134-8934-44	\$26.00
612	Consult	Harness, S4, power AC (K101-4 to F104 and K101-2 to F105)	1	000-134-8990-16	\$11.00
613	Consult	Harness, C3, power AC (F104 and F105 to U100 CN1)	1	000-134-8992-13	\$11.00
614	Consult	Harness, C3, power AC (F104 and F105 to U101 CN1)	1	000-135-0063-11	\$16.00
615	Consult	Harness, C8, sensor (A100 XJ28 to B106, B106T, B107, and B107T and A100 XJ18 to X107)	1	000-135-2532-37	\$29.00
617	Consult	Harness, C4, power AC (K100-2 to A100-L and K100-4 to A100-N)	1	000-134-8936-32	\$14.00
618	Consult	Harness, C4, power AC (K101-4 to A300-L and K101-6 to A300-N)	1	000-134-8938-11	\$23.00
619	Consult	Harness, C4, power AC (K100-6 to A200-L and K101-2 to A200-N)	1	000-134-8937-18	\$27.00
620	Consult	Harness, S16, power AC (F106 to K100-5 and F107 to K100-3)	1	000-134-8928-23	\$37.00
621	Consult	Harness, C13, power AC (Z100 to F100, F101, and X109)	1	000-139-9346-08	\$63.00
622	Consult	Harness, C3, power AC (U10 CN1 to F100 and F101)	1	000-134-8977-26	\$55.00
623	Consult	Harness, C4, power AC (A100 XJ12 to X13, X50, and X108)	1	000-134-8980-46	\$17.00
624	Consult	Harness, C4, power AC (220V input terminal to Q100)	1	100-001-5774-01	\$44.00
WM-Ai-P					
999	178268	Relay, G7J-4A-B 220/240VAC, K110	1	000-144-9605-05	\$84.00

Ishida WM-Ai

Control Unit - Wrapping, Upper Left Side



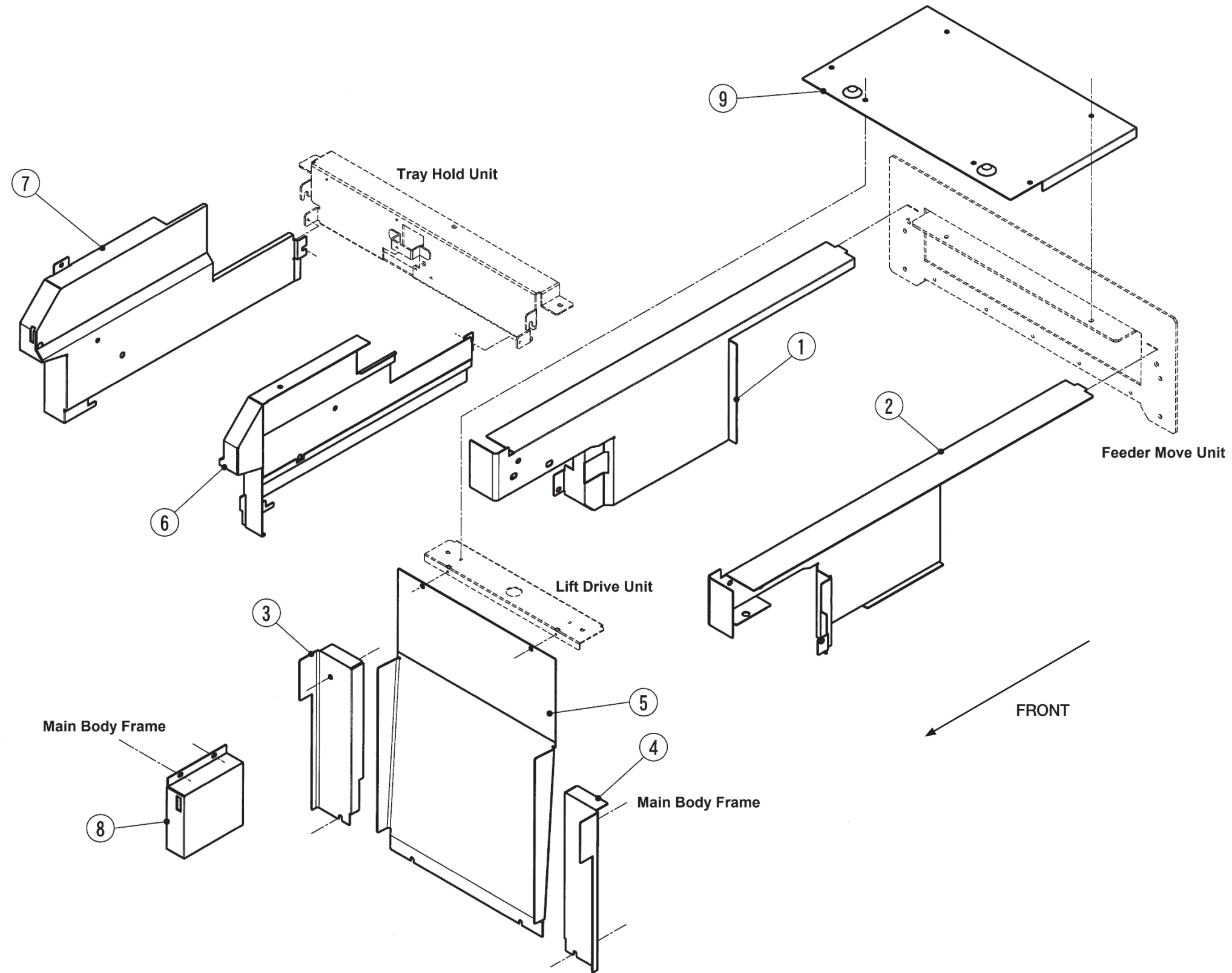
Cover Unit - Interior

Part Number/Price

REF #	PART #	DESCRIPTION	QTY	SYNONYM	PRICE
1	Consult	Cover, lift, L	1	000-135-2992-55	\$77.00
2	Consult	Cover, lift, R	1	000-135-2993-59	\$77.00
3	Consult	Cover, lift drive, side	1	000-135-4605-23	\$21.00
4	Consult	Cover, lift drive, side	1	000-135-4606-27	\$21.00
5	Consult	Cover, lift drive, upper	1	000-132-2073-23	\$97.00
6	Consult	Cover, front, packaging R	1	000-139-9298-11	\$118.00
7	Consult	Cover, front, packaging L	1	000-139-9299-15	\$115.00
8	Consult	Cover, key, switch	1	000-134-8959-01	\$24.00
9	Consult	Cover, lift, upper	1	000-108-0065-69	\$59.00
999	199783	Hex Bolt, Flange, M4x6, for covers		000-139-2775-07	\$2.00

Ishida WM-Ai

Cover Unit - Interior



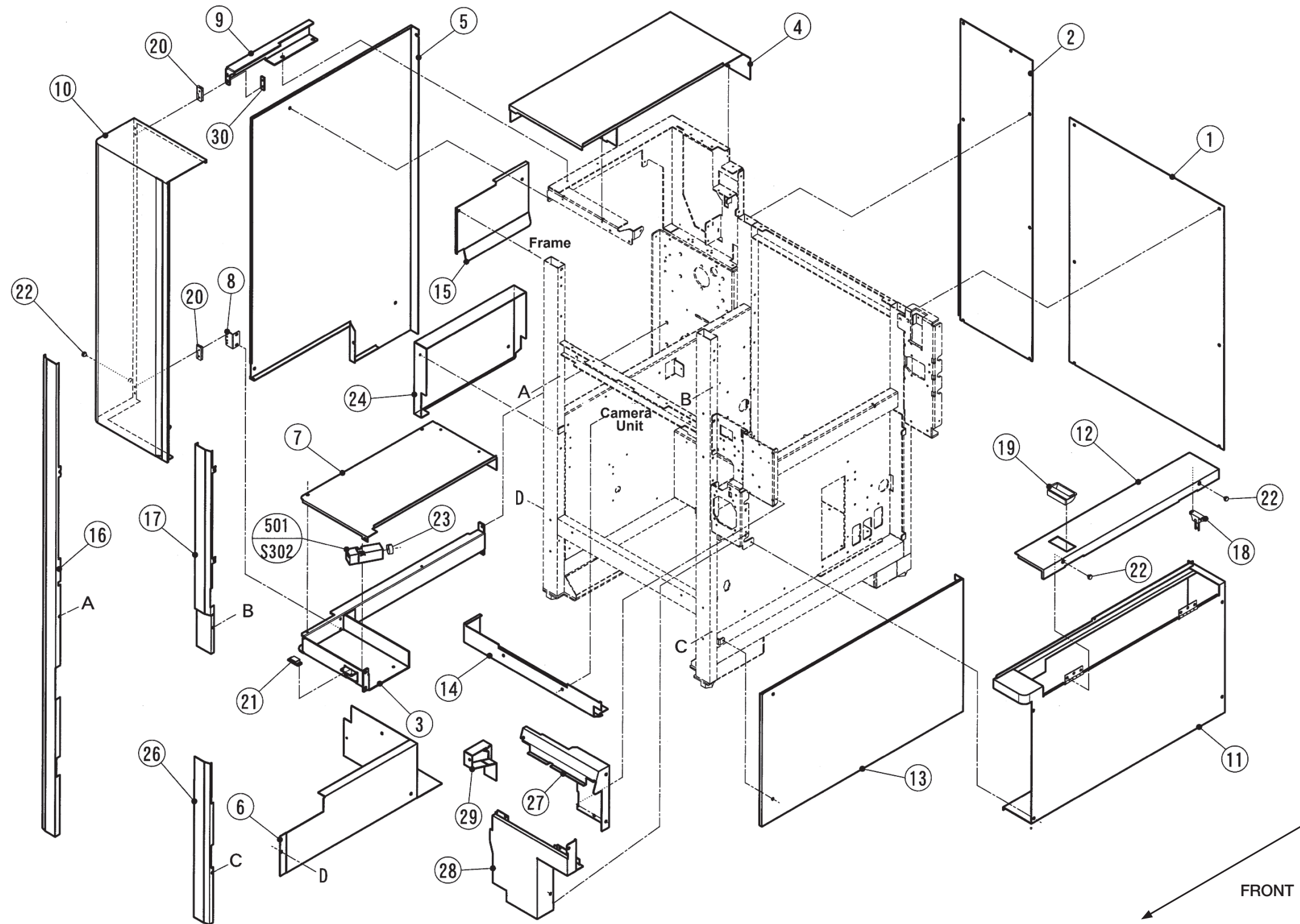
Cover Unit - Lower

Part Number/Price

REF #	PART #	DESCRIPTION	QTY	SYNONYM	PRICE
1	Consult	Cover, rear	1	000-111-8118-32	\$91.00
2	Consult	Cover, rear, side	1	000-148-1147-07	\$71.00
3	Consult	Frame, film, lower	1	000-135-4522-55	\$170.00
4	189297	Cover, film side, upper	1	000-135-4513-53	\$192.00
5	174717	Cover, film, side	1	000-135-4503-65	\$248.00
6	189298	Cover, side, lower	1	000-148-1146-02	\$110.00
7	Consult	Cover, film, lower	1	000-135-2887-39	\$59.00
8	Consult	Stay, cover, door	1	000-147-3070-13	\$21.00
9	Consult	Stay, hinge, upper	1	000-148-4452-04	\$37.00
10	179675	WM-Ai: Cover, film, front, lower	1	000-135-4510-63	\$316.00
	Consult	WM-Ai: Cover, film, front, lower w/articulated key (from s/n 1005xxxxxx)	1	100-038-8086-00	Consult
	70125	Switch actuator (key), adjustable (required for 100-038-8086-00)	1	000-072-2365-05	\$45.00
	181406	WM-Ai-P: Cover, film, front, lower	1	100-007-8464-00	\$590.00
	Consult	WM-Ai-P: Cover, film, front, lower w/articulated key (from s/n 1005xxxxxx)	1	100-038-8095-00	Consult
	70125	Switch actuator (key), adjustable (required for 100-038-8095-00)	1	000-072-2365-05	\$45.00
11	189299	Cover, main body, side	1	000-137-8084-52	\$366.00
12	Consult	Door, feeder, drive	1	000-135-2805-52	\$88.00
13	Consult	Cover, side, lower	1	000-135-2684-30	\$115.00
14	Consult	Cover, discharge	1	000-149-6826-07	\$103.00
15	Consult	Cover, heater, safety	1	000-148-1140-13	\$36.00
16	Consult	Cover, main body, front	1	000-135-4696-79	\$81.00
17	Consult	Cover, main body, front	1	000-135-4698-67	\$165.00
18	70125	Switch actuator (key), adjustable	1	000-072-2365-05	\$45.00
19	193560	Lug	1	000-073-5832-06	\$5.00
20	181386	Hinge, L	2	000-011-5730-01	\$14.00
21	168080	Catch, magnet	1	000-053-8534-09	\$10.00
22	189111	Rubber pad	3	000-039-8056-01	\$2.00
23	Consult	Cap, harness, switch	1	000-091-0707-09	\$2.00
24	Consult	Cover, control, roll	1	000-135-2620-22	\$63.00
26	Consult	Cover, main body, front	1	000-135-4701-55	\$91.00
27	Consult	Cover, stock, upper	1	000-135-2802-41	\$200.00
28	Consult	Cover, stock, lower	1	000-135-2687-59	\$182.00
29	Consult	Cover, cable	1	000-138-2080-14	\$124.00
30	179676	Plate A, SQ	1	100-001-6585-00	\$9.00
31	Consult	Cover, control, lift	1	000-137-8061-18	\$97.00
501	157866	Switch, safety, film loading door, S302	1	000-111-8428-00	\$92.00
999	199783	Hex Bolt, Flange, M4x6, for covers		000-139-2775-07	\$2.00

Ishida WM-Ai

Cover Unit - Lower



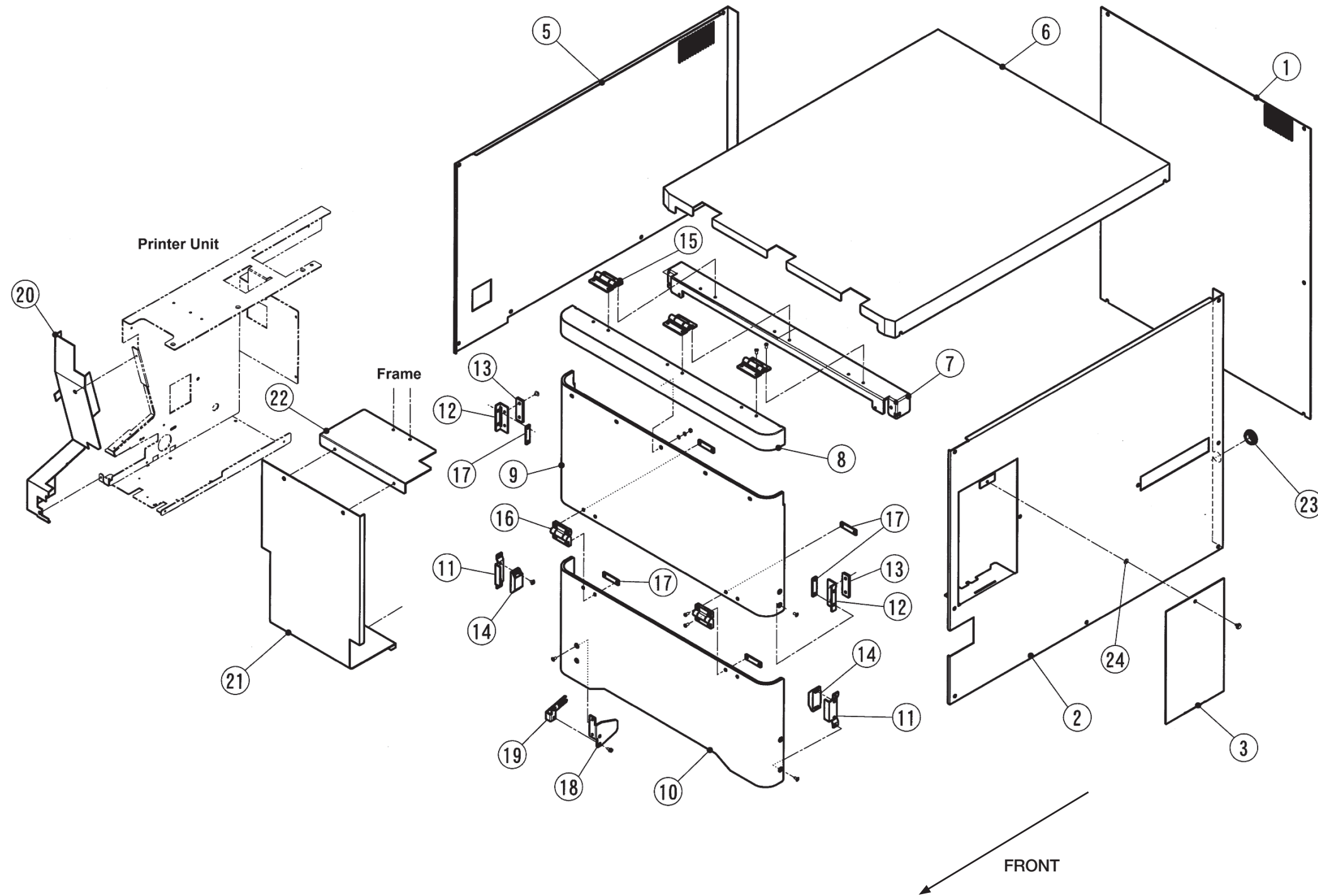
Cover Unit - Upper

Part Number/Price

REF #	PART #	DESCRIPTION	QTY	SYNONYM	PRICE
1	189294	Cover, frame, rear	1	000-111-8115-22	\$96.00
2	189295	Cover, console, R	1	000-135-2995-67	\$152.00
3	177706	Cover, connector	1	000-135-2994-16	\$28.00
5	189296	Cover, side, upper	1	000-135-4529-61	\$143.00
6	185533	Cover, frame, upper	1	000-134-8255-59	\$241.00
7	Consult	Stay, hinge	1	000-148-1148-20	\$77.00
8	Consult	Cover, front, upper	1	000-135-2753-33	\$121.00
9	209192	Door, front, upper	1	000-135-2751-47	\$195.00
10	209193	Door, front, lower	1	000-135-2752-50	\$173.00
11	Consult	Bracket, magnet, lower	2	000-147-3073-13	\$20.00
12	185473	Bracket, magnet, lower	2	100-001-6572-00	\$25.00
13	185475	Catch, magnet	2	000-151-6257-09	\$22.00
14	Consult	Catch, magnet	2	000-147-3235-01	\$20.00
15	185477	Hinge, adjust	3	000-094-4084-09	\$27.00
16	120606	Hinge, adjust	2	000-070-5323-05	\$48.00
17	185478	Plate A, guide, door	6	000-139-9402-22	\$4.00
18	Consult	Bracket, switch	1	000-139-9401-19	\$17.00
19	188260	Switch, actuator, front	1	000-139-9399-14	\$17.00
20	Consult	Cover, side	1	000-136-3985-51	\$44.00
21	Consult	Cover, printer, R	1	000-135-4997-32	\$112.00
22	Consult	Bracket, cover	1	000-137-0931-19	\$77.00
23	Consult	Grommet, with diaphragm	1	000-000-3972-01	\$2.00
24	186377	Washer, lock, white	1	000-015-0783-09	\$2.00
	186376	White plastic thumb screw M4x10 SST	1	000-000-0387-01	\$2.00
25	Consult	Cover, control, console	1	000-137-0935-22	\$97.00
26	Consult	Cover, control, packaging	1	000-137-8057-40	\$55.00
27	Consult	Cover, protect, packaging	1	000-137-8058-43	\$22.00
999	199783	Hex Bolt, Flange, M4x6, for covers		000-139-2775-07	\$2.00

Ishida WM-Ai

Cover Unit - Upper



FRONT

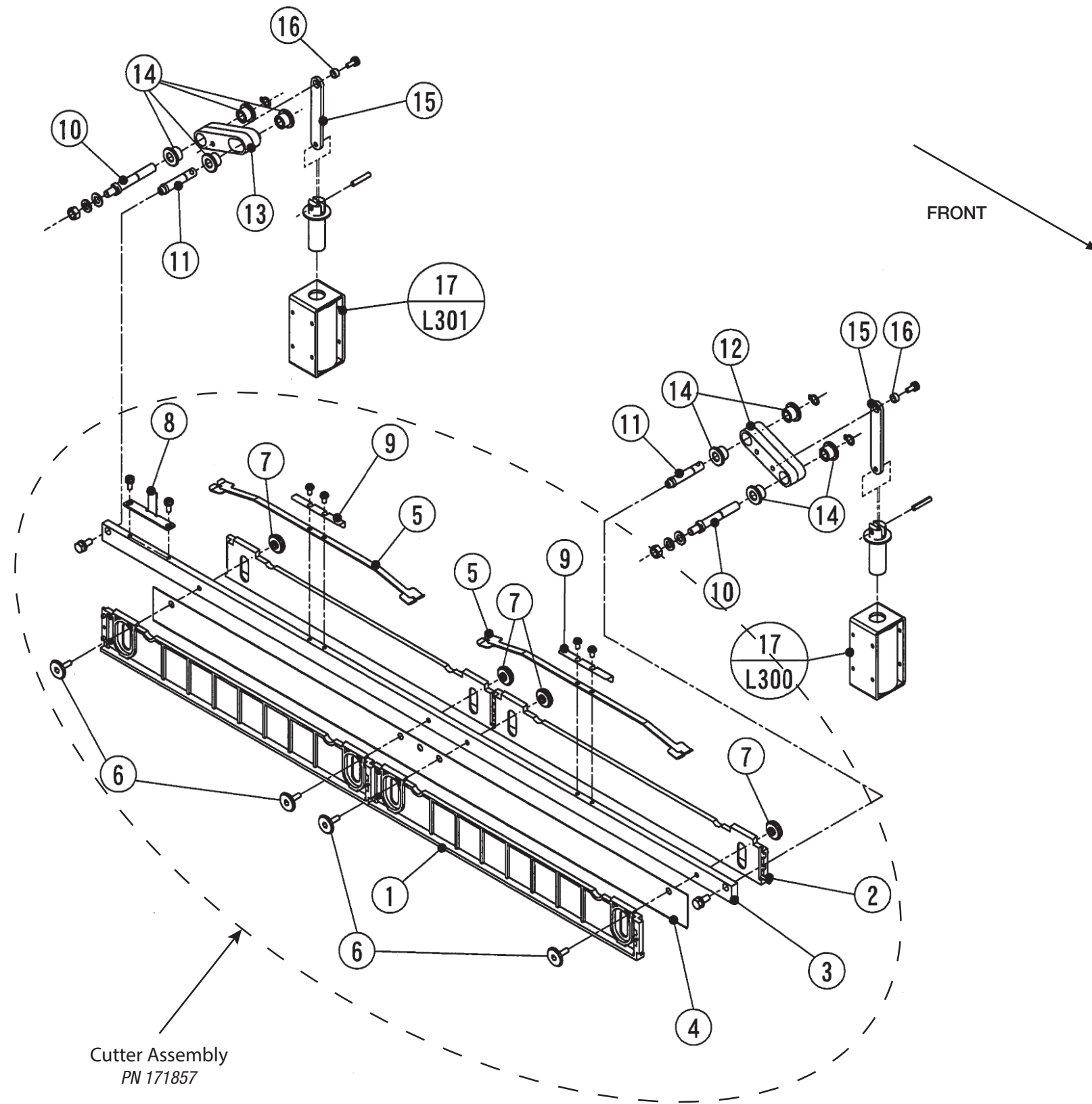
Cutter Unit

Part Number/Price

REF #	PART #	DESCRIPTION	QTY	SYNONYM	PRICE
1	178891	Block assembly, cutter, outer	1	000-112-6781-05	\$59.00
2	178892	Block assembly, cutter, inner	1	000-112-6780-01	\$59.00
3	203415	Plate A, cutter	1	000-133-8496-33	\$47.00
4	176682	Cutter, saw blade	1	000-145-8199-03	\$213.00
5	178893	Spring plate, cutter	2	000-145-9565-16	\$15.00
6	189272	Pin assembly, cutter, hold	4	000-145-9828-06	\$9.00
7	189273	Pin assembly, cutter upper	4	000-145-9827-02	\$9.00
8	203906	Detect plate, cutter	1	000-131-1633-28	\$13.00
9	182314	Spring plate, hold	2	000-125-5315-00	\$8.00
10	189274	Pin, cutter	2	000-139-9367-25	\$15.00
11	189275	Pin, cutter	2	000-133-8422-38	\$16.00
12	189276	Block B, cutter	1	000-135-7302-08	\$15.00
13	189277	Block B, cutter	1	000-135-7303-01	\$14.00
14	93355	Bush	8	000-064-0201-24	\$5.00
15	189278	Plate A	2	000-136-3624-00	\$3.00
16	189279	Collar	2	000-094-0174-15	\$5.00
17	172596	Solenoid assembly, cutter, L300, L301	2	000-139-9318-03	\$40.00
Assembly	171857	Cutter assembly	1	100-005-0925-00	\$434.00

Ishida WM-Ai

Cutter Unit



Cutter Assembly
PN 171857

Decal Set

Part Number/Price

REF #	PART #	DESCRIPTION	QTY	SYNONYM	PRICE
1	177180	Decal set, safety	1	100-001-8792-01	\$267.00
2	177181	Decal set, film loading	1	100-001-8790-00	\$192.00
3	177182	Decal set, conveyor operation, max weigh, etc	1	100-002-3005-00	\$225.00
4	177183	Decal set, tray measurement, camera view border (blue), etc.	1	100-002-0926-01	\$267.00

Ishida WM-Ai

Decal Set

1

2

3

4

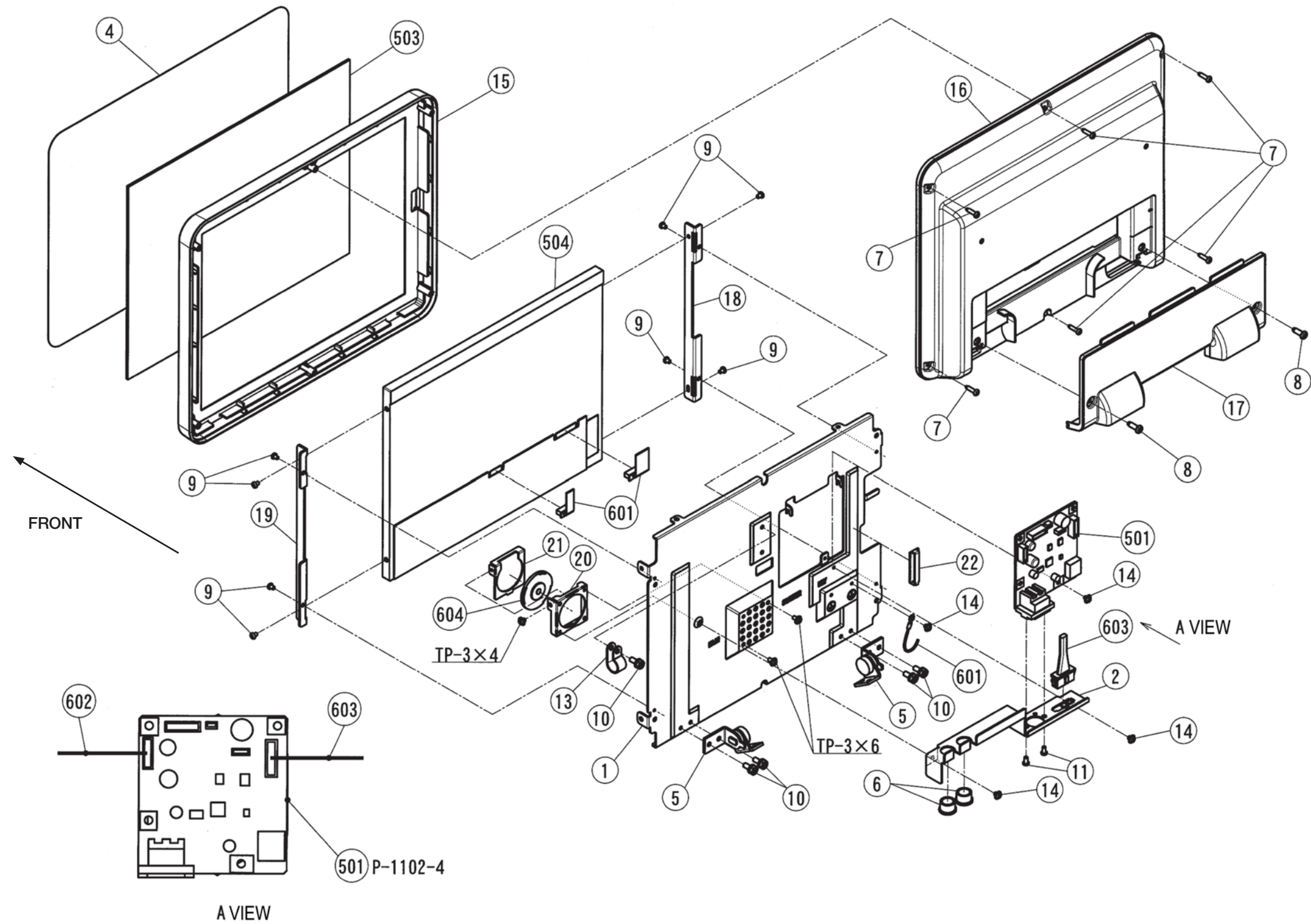
Display Unit

Part Number/Price

REF #	PART #	DESCRIPTION	QTY	SYNONYM	PRICE
1	Consult	Frame, controller	1	100-000-2465-00	\$27.00
2	Consult	Bracket, connector A	1	000-110-7915-33	\$11.00
4	171880	Sheet, display	1	000-135-5531-43	\$38.00
5	Consult	Hinge, torque	2	000-112-9612-00	\$18.00
6	Consult	Accessory, bush, open lock	2	000-013-8915-08	\$2.00
7	189335	Tapping screw, cross pan, M3x12 mm	6	000-072-8766-07	\$2.00
8	189336	Tapping screw, cross pan head, M4x12 mm	2	000-072-8768-04	\$2.00
9	199959	Screw, cross pan head, M3-0.5x4 mm	8	000-002-1849-03	\$2.00
10	189337	Cross hexagon bolt, M4x10 mm	5	000-000-0338-09	\$2.00
11	48233	Screw, cross pan head, M3x6 pan head SST	2	000-000-0069-07	\$2.00
13	189311	Accessory, clamp, nylon	1	000-003-6921-04	\$2.00
14	116073	TP screw, M3X4	4	000-047-3842-08	\$2.00
15	171881	Case, controller, front	1	000-135-4691-06	\$21.00
16	Consult	Case assembly, controller, rear	1	000-135-4692-00	\$27.00
17	Consult	Cover, connector	1	000-135-4693-03	\$14.00
18	189312	Bracket, LCD	1	100-000-2468-00	\$9.00
19	189314	Bracket, LCD	1	100-000-2467-00	\$9.00
20	Consult	Case, speaker	1	000-143-0566-12	\$9.00
21	Consult	Cover, speaker	1	000-143-0565-19	\$7.00
22	186529	Accessory, clamp, flat cable	1	000-150-3050-07	\$3.00
501	171882	PWB P-1102-4, display control board, A30	1	100-003-3188-00	\$190.00
503	171883	Touch panel, analog	1	000-135-4851-14	\$229.00
504	206537	Display, LCD, TFT	1	000-135-4850-11	\$557.00
601	189315	Harness, C5, LCD	1	000-135-0398-37	\$149.00
602	189316	Harness, C4, communication	1	000-135-7116-39	\$77.00
603	189317	Harness, C2, numeric key JCT	1	000-135-0213-13	\$62.00
604	172673	Speaker assembly	1	000-140-7074-11	\$84.00
Assembly	172674	Display, complete assembly	1	100-002-3696-00	\$1,197.00

Ishida WM-Ai

Display Unit



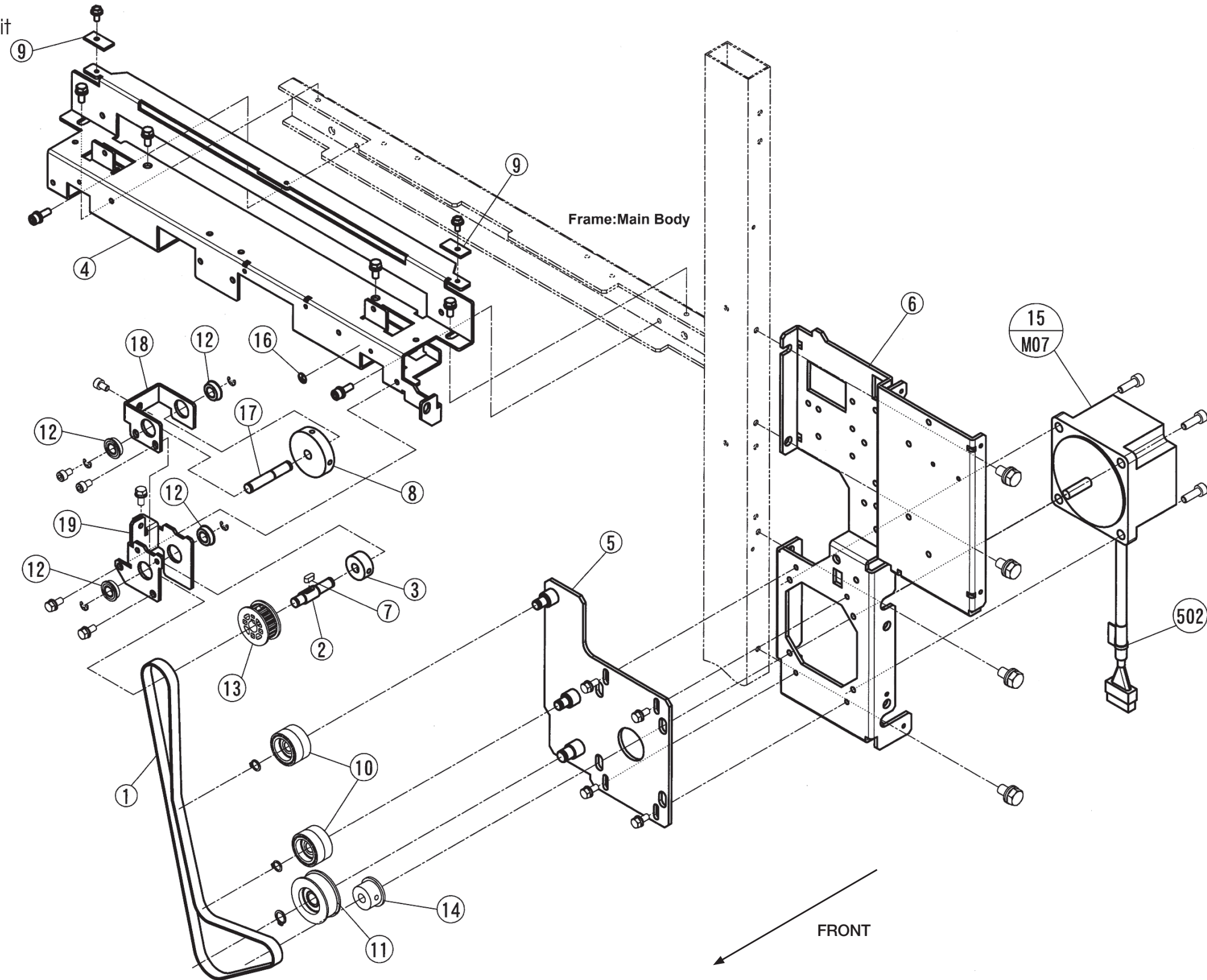
Discharge Conveyor Drive Unit

Part Number/Price

REF #	PART #	DESCRIPTION	QTY	SYNONYM	PRICE
1	172634	Timing belt, S5M	1	000-058-6197-06	\$47.00
2	198240	Shaft, follower, timing	1	000-132-2123-08	\$72.00
3	198241	Gear, flat, follower shaft	1	000-113-7301-01	\$92.00
4	Consult	Frame, conveyor drive	1	000-135-2545-62	\$138.00
5	Consult	Plate B, motor, conveyor	1	000-134-8971-15	\$124.00
6	Consult	Frame, conveyor	1	000-135-0144-49	\$168.00
7	189300	Key parallel, both ends round	1	000-094-2618-00	\$3.00
8	185493	Gear, flat	1	000-091-2277-01	\$71.00
9	Consult	Plate A, interference	2	000-076-1711-06	\$4.00
10	88649	Pulley, tension	2	000-048-3915-03	\$11.00
11	172516	Timing pulley, S5M, AF	1	000-111-8392-00	\$12.00
12	172635	Bearing, radial	4	000-000-3727-05	\$14.00
13	88809	Timing pulley, S5M, AF	1	000-045-3709-01	\$17.00
14	198242	Timing pulley, S5M	1	000-057-0158-01	\$13.00
15	189302	Motor, DC brushless, M07	1	000-135-2942-03	\$316.00
16	Consult	Name plate	1	000-097-8992-16	\$1.00
17	189303	Shaft, follower, upper	1	000-132-2122-22	\$37.00
18	Consult	Bracket, gear	1	000-139-2820-11	\$44.00
19	Consult	Bracket, gear	1	000-139-2823-11	\$52.00
502	Consult	Accessory band, marking tie	1	000-135-2739-03	\$2.00

Ishida WM-Ai

Discharge Conveyor Drive Unit



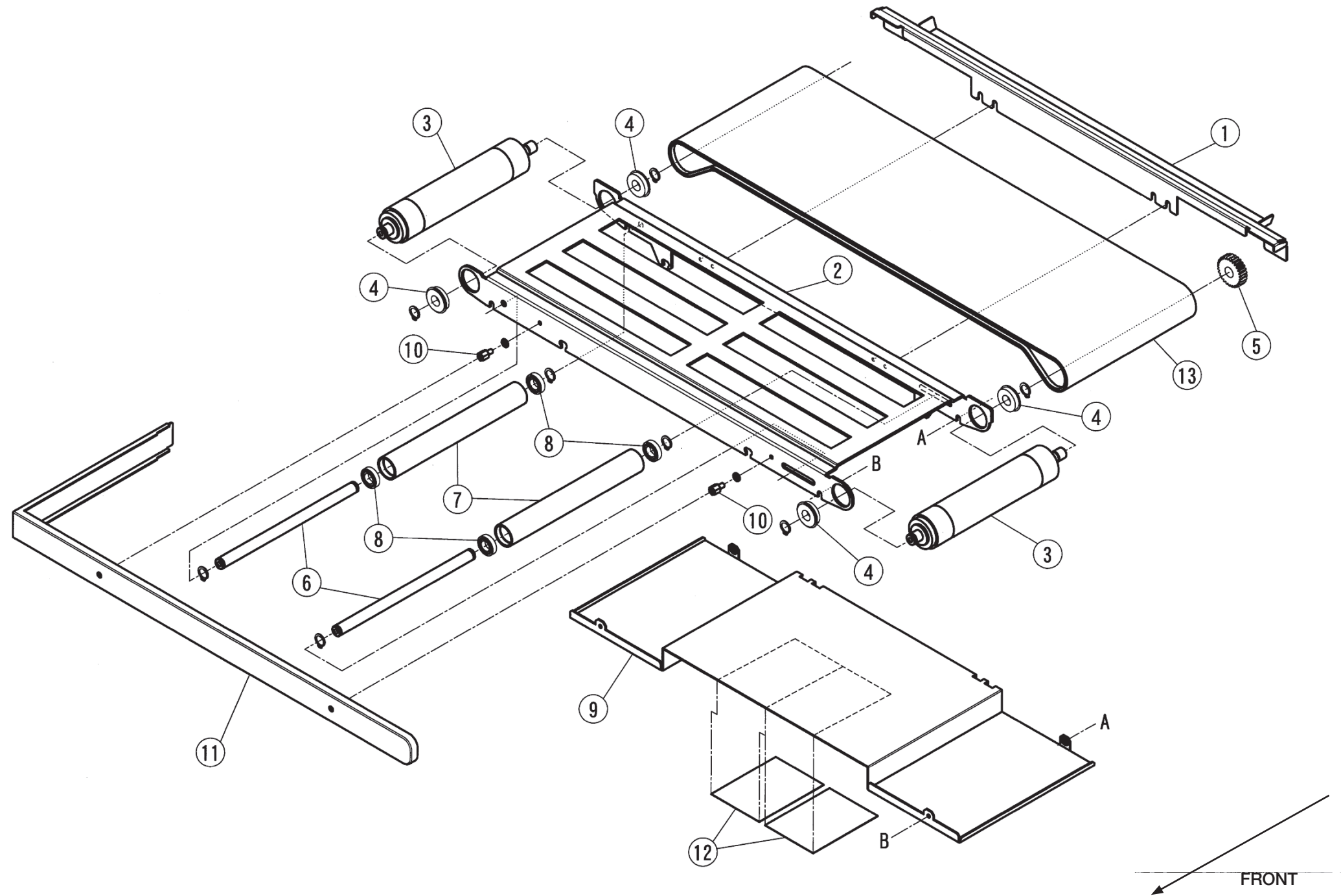
Discharge Conveyor Unit

Part Number/Price

REF #	PART #	DESCRIPTION	QTY	SYNONYM	PRICE
1	Consult	Cover, conveyor, rear	1	000-135-0140-42	\$91.00
2	Consult	Frame, conveyor, upper	1	000-139-9306-09	\$208.00
3	172636	Roller drive	2	000-076-1742-39	\$152.00
4	160748	Bearing, radial, deep groove	4	000-094-2649-05	\$8.00
5	184014	Gear, flat	1	000-138-5683-01	\$43.00
6	198243	Shaft, pulley, tension	2	000-076-1714-16	\$16.00
7	198244	Roller, shaft, tension	2	000-103-3674-16	\$94.00
8	52622	Bearing, radial, deep groove	4	000-003-6982-01	\$33.00
9	Consult	Cover, PWB, camera	1	000-116-1772-21	\$106.00
10	Consult	Threaded rod, HEX, MF	2	100-002-1568-00	\$7.00
11	Consult	Cover, conveyor, front	1	000-131-7491-02	\$121.00
12	Consult	Tape, saxin, single	2	000-066-4285-08	\$6.00
13	172637	Flat belt, finger joint	1	000-123-2392-01	\$281.00
Assembly	189304	Discharge Conveyor Unit, complete assembly	1	000-150-3233-01	\$1,346.00

Ishida WM-Ai

Discharge Conveyor Unit



PN 189304 Discharge Conveyor Unit

ISHIDA WM-AI

Discharge Conveyor Stand, Left

See Stock Conveyor Unit on page 152 for Conveyor Parts List

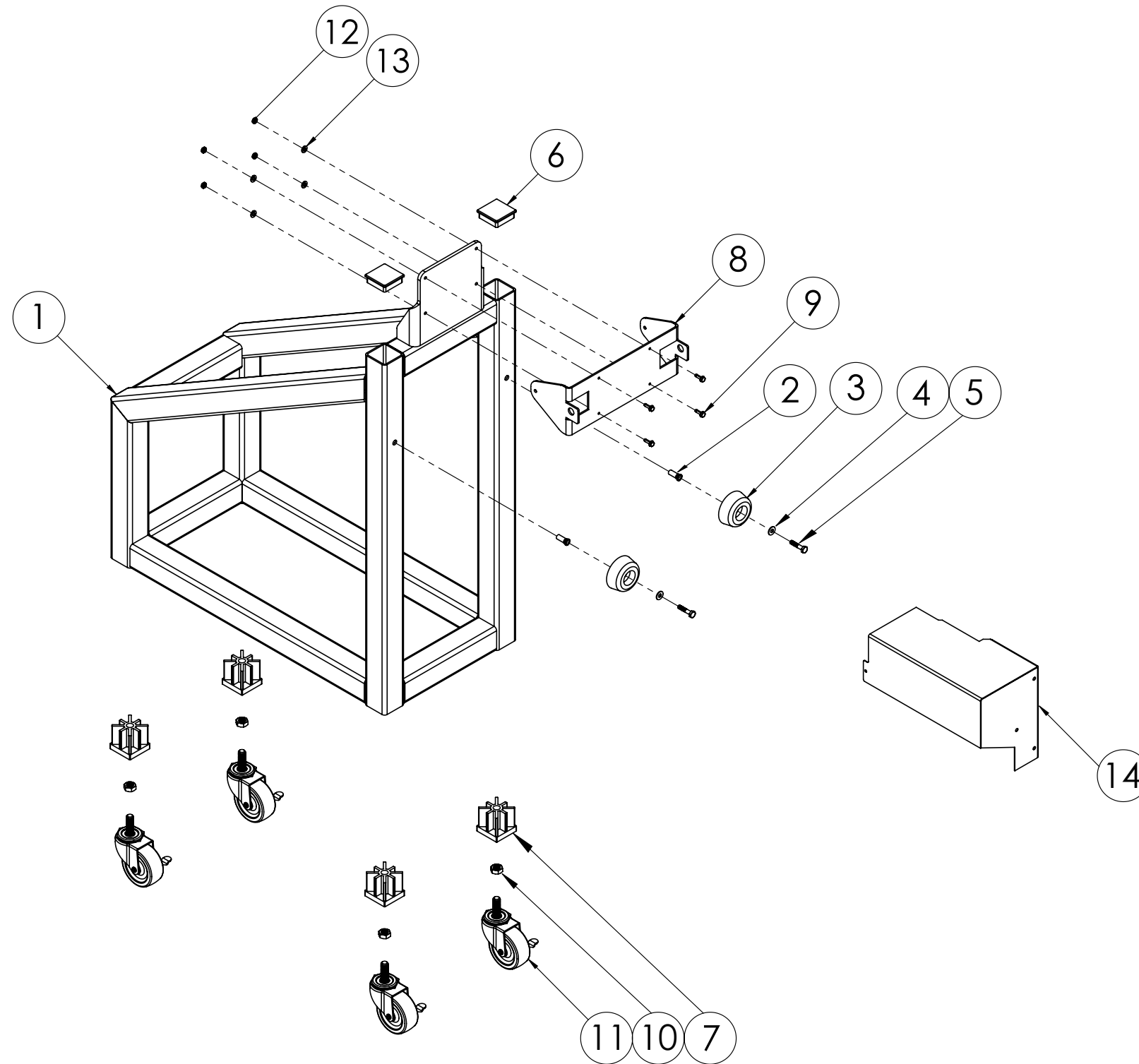
Part Number/Price

REF #	PART #	DESCRIPTION	QTY	SYNONYM	PRICE
1	185604	WLDT, dead roller stand	1		\$525.00
2	105455	Insert, threaded 1/4-20NC	2		Consult
3	185722	Bumper, 2-1/2 round with washer	2		\$13.00
4	15149	Washer, plain STD 1/4 SST	2		\$1.50
5	151269	Screw, cap 1/4-20NC x 1-1/4	2		\$1.50
6	185723	Finishing plug, 2 inch square tubing	4		\$2.00
7	185607	Insert, threaded 1/2 - 13UNC	4		Consult
8	185606	Bracket, dead roller	1		\$26.00
9	71523	Screw, mach 10-32NF x 5/8, hex head 18-8 SST	4		\$1.00
10	14662	Nut, Jam 1/2-13NC hex SST	4		\$1.85
11	185724	Caster, 1/2-13UNC x 1-1/2, 3" x 1.25" wheel	4		\$22.00
12	39025	Nut, 10-32NF hex 18-8 SST	4		\$1.50
13	15148	Washer, lock 1/4 regular SST	4		\$1.25
14	185721	Cover, Ishida conversion, right to left output	1		\$136.00

Ishida WM-AI

Ishida WM-Ai

Discharge Conveyor Stand, Left



Discharge Pusher Unit

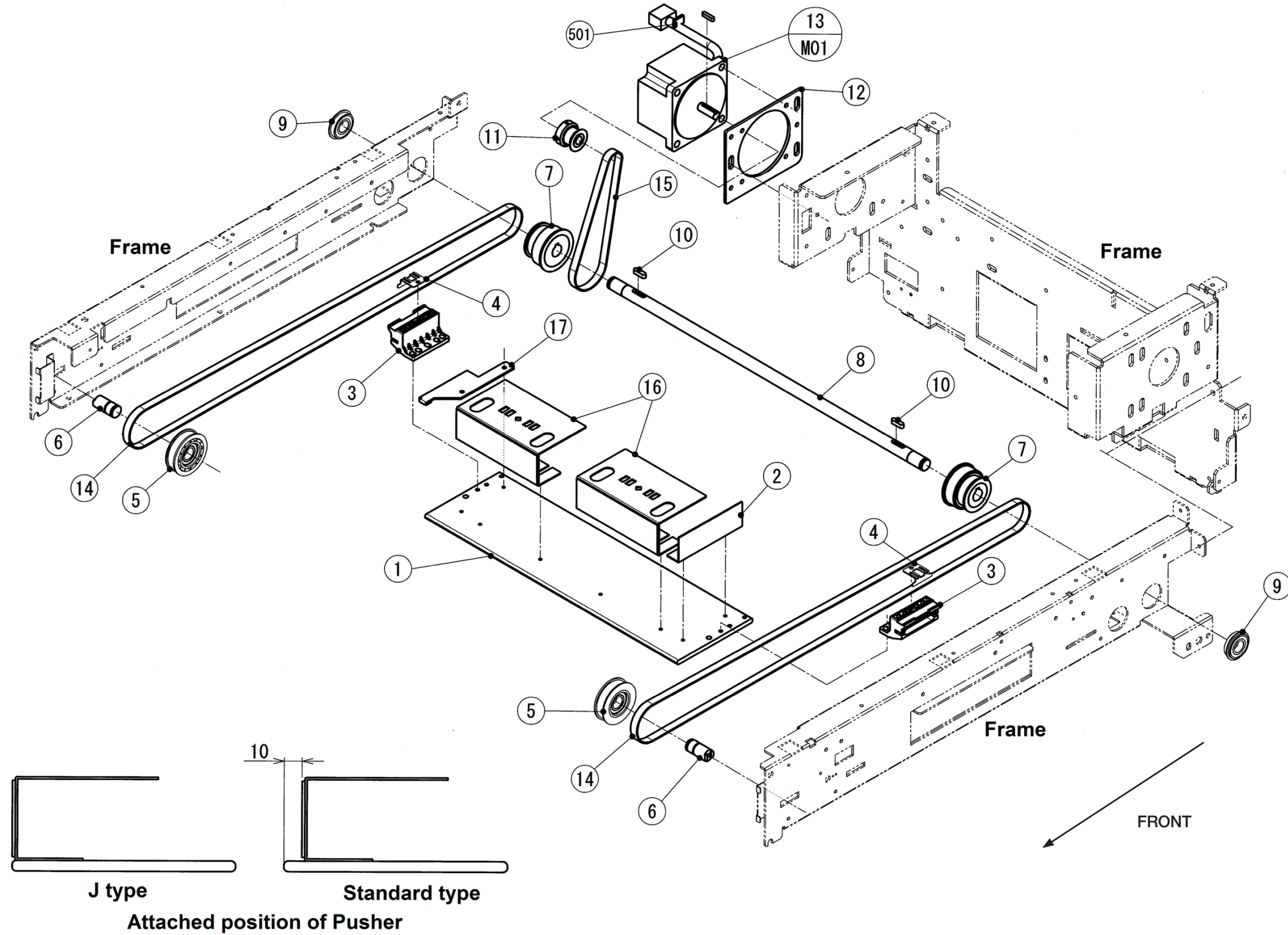
Part Number/Price

REF #	PART #	DESCRIPTION	QTY	SYNONYM	PRICE
1	Consult	Plate A, pusher	1	000-136-3747-13	\$77.00
2	Consult	L plate A, detect plate, pusher	1	000-133-8311-11	\$6.00
3	172534	Block B, slide, pusher	2	000-135-7083-02	\$12.00
4	189198	Bracket, timing belt	2	000-133-8263-05	\$6.00
5	172535	Timing pulley, S5M, AF	2	000-046-2326-11	\$24.00
6	189212	Shaft, tension	2	000-133-8295-13	\$19.00
7	172531	Timing pulley, S5M	2	000-135-7307-06	\$37.00
8	Consult	Shaft, drive, pusher	1	000-133-8260-13	\$81.00
9	106115	Bearing, radial deep groove	2	000-030-6366-02	\$14.00
10	189211	Key, parallel, both ends round	2	000-005-3753-09	\$4.00
11	172519	Timing pulley, S5M	1	000-135-7387-04	\$16.00
12	Consult	Bracket, motor, DCB	1	000-133-8299-36	\$15.00
13	172518	Motor, DC brushless, round, M01	1	000-135-2940-06	\$272.00
14	172517	Timing belt, S5M	2	000-106-6868-14	\$23.00
15	172533	Timing belt, HPS5M	1	000-131-1761-03	\$16.00
16	172536	Bracket assembly, pusher, with green padding	2	100-003-5009-01	\$105.00
17	Consult	Pusher, heater guard	1	000-139-9159-09	\$22.00
501	185535	Accessory, band, marking tie	1	000-135-2732-08	\$3.00

See [WM-Ai Wrapping Frame Unit on page 156](#); item 503 for home position sensor B100

Ishida WM-Ai

Discharge Pusher Unit



Film Feeder, Front

Part Number/Price

REF #	PART #	DESCRIPTION	QTY	SYNONYM	PRICE
1	Consult	Frame, feeder	1	000-135-2866-61	\$191.00
2	Consult	Rail, lower	1	000-135-2868-39	\$100.00
3	172543	Clamp assembly, lower	1	000-135-2871-11	\$116.00
4	Consult	Bracket, harness	1	000-136-3629-09	\$48.00
5	Consult	Supporter, frame, feeder	1	000-146-5402-15	\$22.00
6	198374	Shaft, tension, feeder	2	000-130-6894-06	\$13.00
7	47165	Bearing, radial	4	000-000-3610-03	\$8.00
8	177258	Timing pulley, T5, AF, tension	2	000-111-8468-18	\$5.00
9	171838	Timing white belt, DT5, P1.5	1	000-135-0175-06	\$260.00
10	185877	Flat green belt, endless, beveled (blue mark), front or rear	1	100-019-0009-00	\$235.00
11	160748	Bearing radial, deep groove	4	000-094-2649-05	\$8.00
12	177259	Timing pulley, T5, AF	1	000-111-8465-08	\$4.00
13	177260	Flange, pulley, upper	1	000-111-8467-05	\$5.00
14	Consult	Shaft, pulley, follower	1	000-130-6821-04	\$25.00
15	189229	Pin, parallel	2	000-040-6521-02	\$2.00
16	193535	Timing pulley, T5, AF	1	000-065-9537-07	\$24.00
17	Consult	Shaft, pulley, drive	1	000-147-7501-06	\$17.00
18	88644	Timing pulley, S5M, A	1	000-045-3708-07	\$15.00
19	189230	Key, parallel, both ends round	2	000-009-9828-05	\$9.00
20	175307	Gear, flat	1	000-090-0652-01	\$5.00
—	178070	M10 Ext retaining ring	1	—	\$1.00
21	Consult	Holder, pulley	1	000-135-2695-41	\$20.00
22	172572	Bearing, radial, deep groove	2	000-094-2650-00	\$6.00
23	Consult	Shaft, follower, belt	1	000-130-6867-14	\$13.00
24	192430	Pulley, drive, round	1	000-079-1252-14	\$21.00
25	Consult	Gear, flat	1	000-076-1779-09	\$19.00
26	Consult	Bracket, sensor, film	1	000-135-2692-50	\$70.00
27	Consult	Cover, harness	1	000-139-9348-14	\$4.00
—	184890	Screw, M3-0.5 x 5mm, SST, machine, phillips pan head	1	000-004-9689-08	\$2.00
28	175370	Lever, film	1	000-139-9352-10	\$13.00
29	175367	Spring plate, over sensor	1	000-139-9347-01	\$8.00
30	198678	Bush	2	000-030-2873-00	\$4.00
31	Consult	Bracket, film sensor	1	000-135-2698-43	\$55.00
32	175368	Lever, film	1	000-146-5492-02	\$9.00
33	175364	Spring, plate, film sensor, insertion	1	000-112-6666-00	\$3.00
34	175369	Spring, coil	1	000-108-0199-55	\$6.00
35	Consult	Bracket, pulley, idler	2	000-136-3628-04	\$4.00
36	Consult	Shaft, pulley, idler	2	000-135-2745-15	\$7.00
37	192742	Pulley assembly, idler	2	000-079-3487-01	\$22.00
38	189231	Frame, pinch	1	100-006-9896-00	\$34.00
39	Consult	Cover, spring	1	000-136-3634-07	\$6.00
40	202718	Spring, coil, compressive	1	000-137-0943-22	\$8.00
41	202717	Plate B, pinch	1	000-136-3625-03	\$4.00
42	172544	Solenoid assembly, pinch, L204	1	100-000-8505-00	\$41.00
43	189232	Bearing, radial	2	000-001-6607-00	\$8.00
44	Consult	Bracket, pinch, inside	1	000-137-0922-16	\$5.00
—	185811	Guide, film belt pinching front	1	100-018-3938-00	\$25.00
45	189233	Pinch assembly, front	1	000-139-9492-19	\$84.00
46	193702	Collar, step	3	000-109-8190-12	\$5.00
47	171844	Lever assembly, clamp, L201, L202, L203	3	000-138-5782-07	\$50.00
48	Consult	Shaft, clamp	1	000-135-2791-17	\$25.00
49	Consult	U plate B, clamp	3	000-136-3631-06	\$5.00
50	Consult	U plate B, clamp	1	000-136-3632-00	\$5.00
51	192218	Spring, coil, compressive	3	000-109-8185-13	\$3.00
52	167958	Plain washer, M6 flat SST	3	000-055-4170-07	\$1.00
53	Consult	Collar, spacer	3	000-001-6812-07	\$1.00

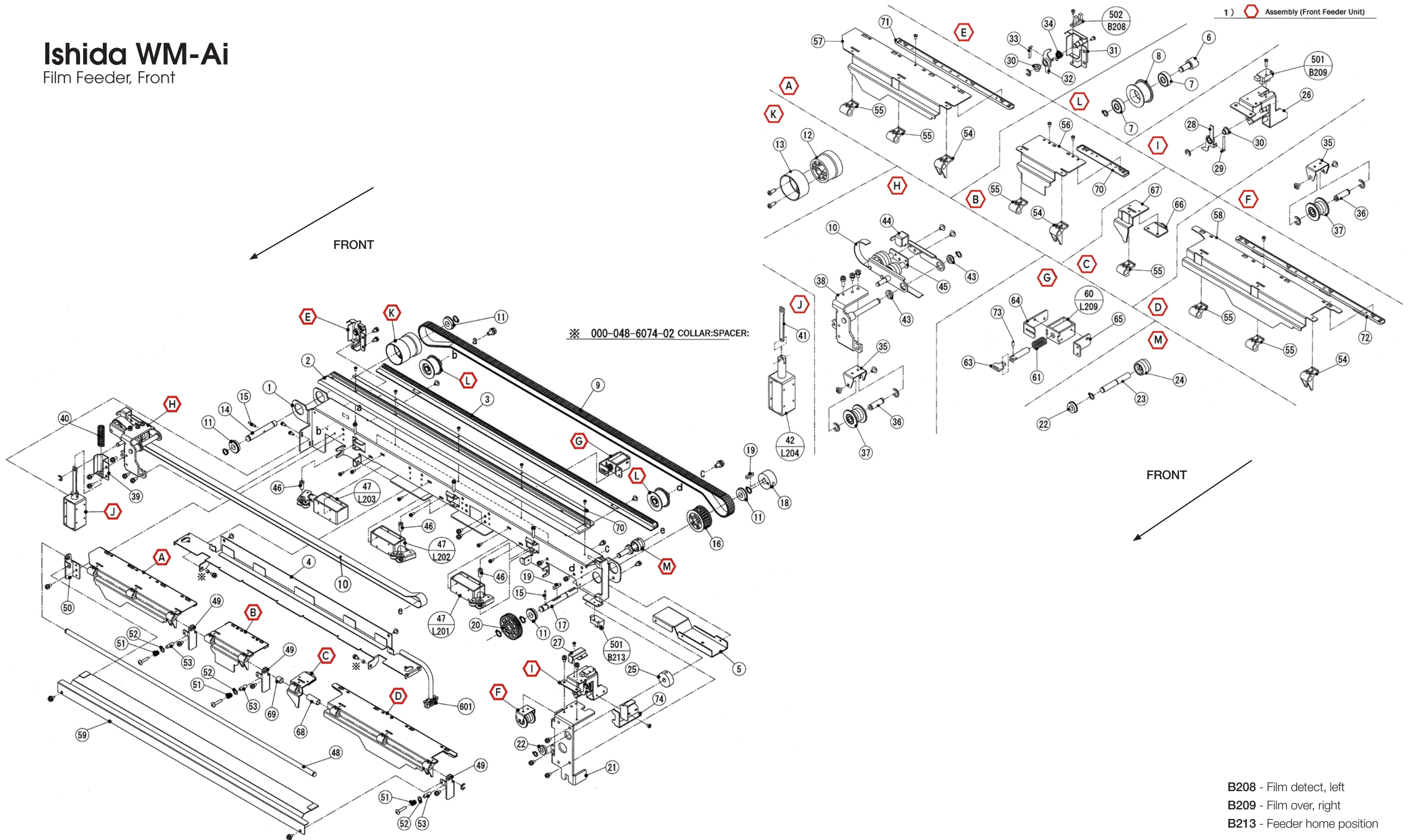
Film Feeder, Front

Part Number/Price

REF #	PART #	DESCRIPTION	QTY	SYNONYM	PRICE
54	189235	Block B, fulcrum, clamp	3	000-111-8436-00	\$4.00
55	189242	Block B, fulcrum, clamp	6	000-111-8435-06	\$4.00
56	204587	Lever, clamp F center	1	000-136-3668-22	\$30.00
57	204588	Lever, clamp F left	1	000-136-3665-03	\$47.00
58	204589	Lever, clamp F right	1	000-136-3662-02	\$47.00
59	Consult	Cover, clamp	1	000-135-2854-45	\$44.00
60	172545	Solenoid assembly, L209	1	100-004-5496-00	\$40.00
61	172318	Spring, coil, compressive	1	000-109-8110-14	\$4.00
63	Consult	Plate B, plunger, belt hold	1	100-001-6592-00	\$6.00
64	Consult	Guide, plunger	1	100-001-6591-00	\$8.00
65	Consult	Bracket, solenoid, belt hold	1	100-001-6590-00	\$10.00
66	Consult	Block B, belt hold	1	100-001-6589-00	\$3.00
67	Consult	Lever, belt hold	1	100-001-6588-00	\$7.00
68	189243	Collar, spacer	1	100-007-0164-00	\$8.00
69	189245	Collar, spacer	1	100-007-0165-00	\$7.00
70	171846	Rail assembly, clamp, front center	1	000-136-3738-01	\$50.00
71	171847	Rail assembly, clamp, front left side	1	000-136-3739-04	\$20.00
72	171848	Rail assembly, clamp, front right side	1	000-136-3740-09	\$23.00
—	193528	Screw, M3x6 Gizatite pan head tapping Phillips SST	3	000-137-0958-00	\$2.00
73	200512	Spring pin, M3x8 mm Black Oxide	1	000-000-2156-05	\$2.00
74	178262	Guide, belt	1	100-018-3942-00	\$25.00
—	185813	Tapping screw, washer head SST, M3x6	1	000-079-3018-07	\$2.00
501	104239	Photo interrupter, transmitter, film over, white conn., B209, B213	2	000-070-5204-14	\$12.00
502	171837	Photo interrupter, transmitter, film detect, straight connector, B208	1	000-132-6468-07	\$21.00
601	199454	Harness, C9, film feeder	1	100-001-2955-01	\$55.00
Assem- bly	179471	Film feeder assembly, complete, front	1	100-002-0181-00	\$1,846.00
Assem- bly	200563	Film feeder belt kit - includes 2 of each: 171838 and 185877 (Parts for front and rear film feeders)			\$921.00
Assem- bly	200561	Film clamp kit - Includes two of: 172543 and one each of: 171846, 171847, 171848, 171849, 171850, 171851 (Parts for front and rear film feeders)			\$361.00

Ishida WM-Ai

Film Feeder, Front



Film Feeder, Rear

Part Number/Price

REF #	PART #	DESCRIPTION	QTY	SYNONYM	PRICE
1	Consult	Frame, feeder	1	000-135-2867-54	\$191.00
2	Consult	Rail, lower	1	000-135-2868-39	\$100.00
3	172543	Clamp assembly, lower	1	000-135-2871-11	\$116.00
4	Consult	Bracket, harness	1	000-136-3629-09	\$48.00
5	Consult	Supporter, frame, feeder	1	000-146-5403-19	\$22.00
6	198374	Shaft, tension, feeder	2	000-130-6894-06	\$13.00
7	47165	Bearing, radial	4	000-000-3610-03	\$8.00
8	177258	Timing, pulley, T5, AF, tension	2	000-111-8468-18	\$5.00
9	171838	Timing white belt, DT5, P1.5	1	000-135-0175-06	\$260.00
10	185877	Flat, green belt, endless, beveled (blue mark), front or rear	1	100-019-0009-00	\$235.00
11	160748	Bearing, radial, deep groove	4	000-094-2649-05	\$8.00
12	Consult	Timing pulley, T5, AF	1	000-111-8465-08	\$3.00
13	Consult	Flange, pulley, upper	1	000-111-8467-05	\$4.00
14	Consult	Shaft, pulley, follower	1	000-130-6821-04	\$25.00
15	189229	Pin, parallel	2	000-040-6521-02	\$2.00
16	193535	Timing pulley, T5, AF	1	000-065-9537-07	\$24.00
17	Consult	Shaft, pulley, drive	1	000-147-7501-06	\$17.00
18	88644	Timing pulley, S5M, A	1	000-045-3708-07	\$15.00
19	189230	Key, parallel, both ends round	2	000-009-9828-05	\$9.00
20	175307	Gear, flat	1	000-090-0652-01	\$5.00
—	178070	M10 Ext. retaining ring	1	—	Consult
21	Consult	Holder, pulley	1	000-135-2696-44	\$20.00
22	172572	Bearing, radial, deep groove	2	000-094-2650-00	\$6.00
23	Consult	Shaft, follower, belt	1	000-130-6867-14	\$13.00
24	192430	Pulley, drive, round	1	000-079-1252-14	\$21.00
25	Consult	Gear, flat	1	000-076-1779-09	\$19.00
26	Consult	Bracket, sensor, film	1	000-135-2693-43	\$70.00
27	Consult	Cover, harness	1	000-139-9348-14	\$4.00
—	184890	Screw, M3-0.5 x 5mm, SST, machine, phillips pan head	1	000-004-9689-08	\$2.00
28	175366	Lever, film	1	000-139-9353-13	\$13.00
29	175367	Spring, plate, over sensor	1	000-139-9347-01	\$8.00
30	198678	Bush	2	000-030-2873-00	\$4.00
31	Consult	Bracket, film sensor	1	000-135-2699-46	\$55.00
32	175363	Lever, film	1	000-146-5491-09	\$9.00
33	175364	Spring plate, film sensor	1	000-112-6666-00	\$3.00
34	175365	Spring, coil	1	000-108-0198-51	\$6.00
35	Consult	Bracket, pulley, idler	2	000-136-3628-04	\$4.00
36	Consult	Shaft, pulley, idler	2	000-135-2745-15	\$7.00
37	192742	Pulley assembly, idler	2	000-079-3487-01	\$22.00
38	Consult	Frame, pinch	1	100-006-9897-00	\$30.00
39	Consult	Cover, spring	1	000-136-3635-01	\$6.00
40	202718	Spring, coil, compressive	1	000-137-0943-22	\$8.00
41	202717	Plate B, pinch	1	000-136-3625-03	\$4.00
42	172544	Solenoid assembly, pinch, L208	1	100-000-8505-00	\$41.00
43	189232	Bearing, radial	2	000-001-6607-00	\$8.00
44	202716	Bracket, pinch, inside	1	000-137-0923-20	\$6.00
—	185810	Guide, film belt, pinching rear	1	100-018-3937-00	\$25.00
45	202715	Pinch assembly, rear	1	000-140-7154-16	\$84.00
46	193702	Collar, step	3	000-109-8190-12	\$5.00
47	171844	Lever assembly, clamp, L205, L206, L207	3	000-138-5782-07	\$50.00
48	Consult	Shaft, clamp	1	000-135-2791-17	\$25.00
49	Consult	U plate B, clamp	3	000-136-3631-06	\$5.00
50	Consult	U plate B, clamp	1	000-136-3632-00	\$5.00
51	192218	Spring, coil, compressive	3	000-109-8185-13	\$3.00
52	167958	Plain, washer, M6 flat SST	3	000-055-4170-07	\$1.00
53	Consult	Collar, spacer	3	000-001-6812-07	\$1.00
54	189235	Block B, fulcrum, clamp	3	000-111-8436-00	\$4.00
55	189242	Block B, fulcrum, clamp	5	000-111-8435-06	\$4.00
56	204583	Lever clamp, rear, center	1	000-136-3660-05	\$37.00

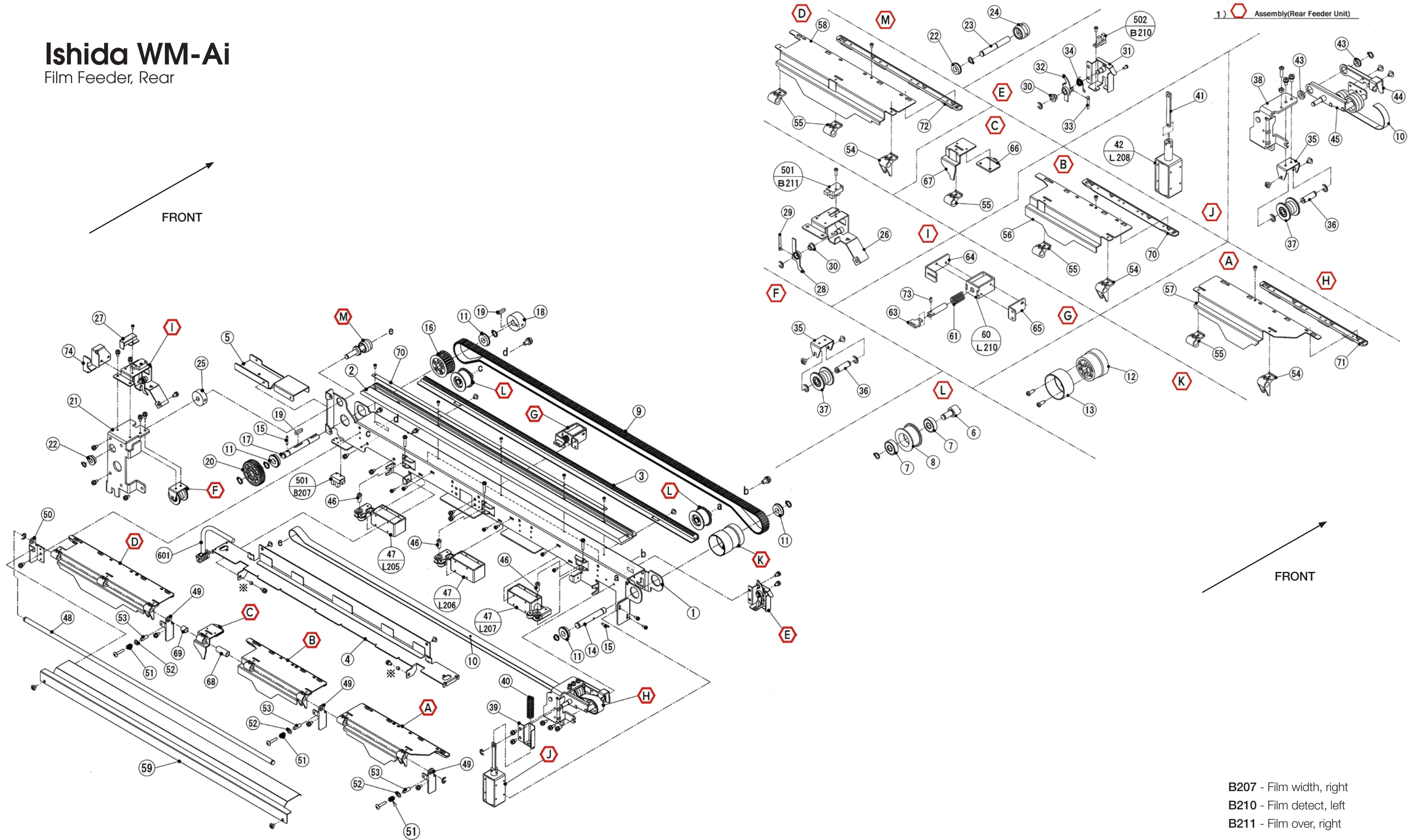
Film Feeder, Rear

Part Number/Price

REF #	PART #	DESCRIPTION	QTY	SYNONYM	PRICE
57	202254	Lever, clamp, rear, left side	1	000-136-3653-09	\$50.00
58	202253	Lever, clamp rear, right side	1	000-136-3656-10	\$42.00
59	Consult	Cover, clamp	1	100-005-2662-00	\$44.00
60	172545	Solenoid assembly, L210	1	100-004-5496-00	\$40.00
61	172318	Spring, coil, compressive	1	000-109-8110-14	\$4.00
63	Consult	Plate B, plunger, belt hold	1	100-001-6592-00	\$6.00
64	Consult	Guide, plunger	1	100-001-6591-00	\$8.00
65	Consult	Bracket, solenoid, belt hold	1	100-001-6590-00	\$10.00
66	Consult	Block B, belt hold	1	100-001-6589-00	\$3.00
67	Consult	Lever, belt, hold	1	100-001-6588-00	\$7.00
68	189243	Collar, spacer	1	100-007-0164-00	\$8.00
69	189245	Collar, spacer	1	100-007-0165-00	\$7.00
70	171849	Rail assembly, clamp, rear, center	1	100-006-5425-00	\$67.00
71	171850	Rail assembly, clamp, rear, left side	1	000-136-3742-06	\$19.00
72	171851	Rail assembly, clamp, rear, right side	1	000-136-3743-00	\$20.00
—	193528	Screw, M3x6 Gizatiite pan head tapping Phillips SST	3	000-137-0958-00	\$2.00
73	200512	Spring pin, M3x8 mm Black Oxide	1	000-000-2156-05	\$2.00
74	185812	Guide, belt	1	100-018-3940-00	\$33.00
—	185813	Tapping screw, washer head SST, M3x6	1	000-079-3018-07	\$2.00
501	104239	Photo interrupter, transmitter, film over, white conn., B207, B211	2	000-070-5204-14	\$12.00
502	171837	Photo interrupter, transmitter, film detect, straight connector, B210	1	000-132-6468-07	\$21.00
601	199454	Harness, C9, film feeder	1	100-001-2955-01	\$55.00
Assembly	179472	Film feeder assembly, complete, rear	1	100-002-0180-00	\$1,816.00
Assembly	200563	Film feeder belt kit - includes two of each: 171838 and 185877 (Parts for front and rear film feeders)			\$921.00
Assembly	200561	Film clamp kit - includes two of: 172543 and one each of: 171846, 171847, 171848, 171849, 171850, 171851 (Parts for front and rear film feeders)			\$361.00

Ishida WM-Ai

Film Feeder, Rear



1) Assembly(Rear Feeder Unit)

- B207 - Film width, right
- B210 - Film detect, left
- B211 - Film over, right

Film Feeder Move Unit

Part Number/Price

REF #	PART #	DESCRIPTION	QTY	SYNONYM	PRICE
1	Consult	Bracket, sensor, lift	1	000-135-0430-33	\$18.00
2	Consult	Shaft, link, feeder move front	2	000-135-0384-08	\$11.00
3	Consult	Bracket, sensor, original point	1	000-135-0418-01	\$10.00
4	Consult	Shaft, feeder move rear	1	000-124-5864-10	\$77.00
5	Consult	Bracket, motor, feeder move front	1	000-145-9915-07	\$19.00
6	189247	Link, feeder move front	1	000-135-0381-07	\$22.00
7	189248	Link, feeder move front	1	000-135-0382-01	\$22.00
8	Consult	L plate B, feeder move front	1	000-135-0431-37	\$27.00
9	Consult	Bracket, motor, feeder move	1	000-135-0428-35	\$25.00
10	Consult	Frame, feeder move, front	1	000-135-0415-55	\$77.00
11	Consult	Frame, feeder move, L	1	000-135-0368-44	\$91.00
12	Consult	Frame, feeder move, R	1	000-135-0378-33	\$91.00
13	Consult	Frame, feeder move, R	1	000-135-0416-21	\$63.00
14	Consult	Guide, harness	1	000-135-0379-27	\$48.00
15	Consult	Bracket, tension	1	000-135-0376-26	\$21.00
16	Consult	Bracket, tension	1	000-135-0377-20	\$21.00
17	Consult	Bracket, connector, front	1	000-135-0371-46	\$18.00
18	189249	Bracket, connector, rear	1	000-135-0374-48	\$25.00
19	Consult	Frame, feeder drive, rear	1	000-135-0427-41	\$94.00
20	189111	Rubber pad	2	000-039-8056-01	\$2.00
21	172546	Housing, feeder move, front	2	000-111-8471-01	\$47.00
22	172547	Housing, feeder move, back	2	000-111-8472-04	\$47.00
23	172548	Bearing, linear bush	8	000-068-5133-03	\$38.00
—	200474	Screw, tapping M5 x 8 mm, phillips flange head T2	8	000-051-5470-09	\$2.00
24	106115	Bearing, radial, deep groove	4	000-030-6366-02	\$14.00
25	172549	Gear, flat	2	000-111-8469-02	\$6.00
26	Consult	Shaft, feeder move	1	000-109-5560-25	\$63.00
27	Consult	Pin, parallel	2	000-040-9790-09	\$2.00
28	Consult	Collar	2	000-112-6883-01	\$2.00
29	193549	Shaft, linear	2	000-106-6952-32	\$72.00
30	Consult	Gear, flat	1	000-111-8382-02	\$10.00
31	172550	Timing pulley, S5M, AF	3	000-073-7226-06	\$27.00
32	Consult	Shaft, fulcrum, rear	2	000-106-6950-26	\$9.00
33	172516	Timing pulley, S5M, AF	2	000-111-8392-00	\$12.00
34	192314	Shaft, pulley, tension	2	000-137-8020-06	\$11.00
35	88649	Pulley, tension	2	000-048-3915-03	\$11.00
36	Consult	Guide, harness	1	000-130-6968-35	\$33.00
37	Consult	Timing pulley, S5M	2	000-117-3042-01	\$6.00
38	Consult	Flange, feeder move	4	000-090-0783-05	\$5.00
39	Consult	Timing pulley, S5M, AF	1	000-073-7225-02	\$23.00
40	Consult	Bracket, motor, feeder move	1	000-131-1766-01	\$24.00
41	172551	Bearing unit, flange	2	000-109-8054-19	\$25.00
42	201442	Shaft, drive feeder	1	000-106-6951-66	\$216.00
43	201443	Timing pulley, S5M, AF	1	000-112-9511-07	\$21.00
44	201444	Timing pulley, S5M, AF gear	1	000-111-8383-06	\$29.00
45	189250	Key, parallel, both ends round	1	000-119-7910-03	\$3.00
46	172552	Timing belt, HPS5M	2	000-109-8057-10	\$28.00
47	172554	Timing belt, HPS5M	1	000-109-8058-13	\$15.00
48	172555	Timing belt, HPS5M	1	000-109-8056-16	\$13.00
49	172556	Reflector	1	000-073-7263-04	\$16.00
50	172557	Gear head, rear move shaft	1	000-055-9082-01	\$217.00
51	172558	Gear head, feeder drive shaft	1	000-056-2722-02	\$231.00
52	172533	Timing belt, HPS5M	2	000-131-1761-03	\$16.00
53	Consult	Holder, timing belt, rear	2	000-138-5654-03	\$3.00
54	188328	Motor assembly, stepping, front film feeder move, M121	1	000-111-8422-08	\$232.00
55	175122	Motor, DC, brushless, feeder drive, M09	1	000-135-2938-08	\$289.00
56	188330	Motor, DC, brushless with brake, rear film feeder move, M05	1	000-135-2939-01	\$428.00

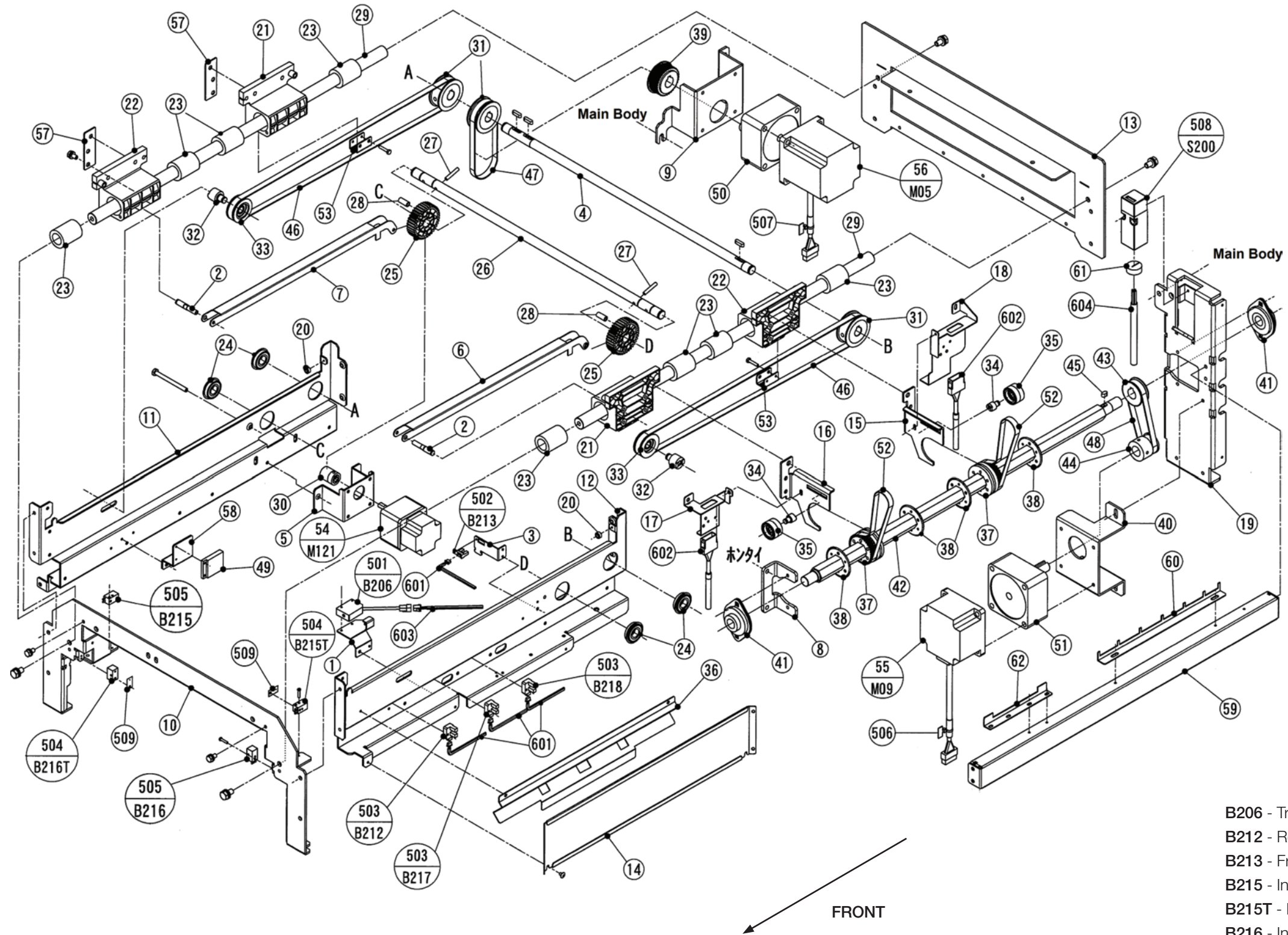
Film Feeder Move Unit

Part Number/Price

REF #	PART #	DESCRIPTION	QTY	SYNONYM	PRICE
57	Consult	Plate A, spacer	2	000-145-8388-01	\$7.00
58	189251	Bracket, reflector	1	000-146-5211-11	\$11.00
59	Consult	Frame, film width	1	000-135-0330-54	\$29.00
60	189252	Detect plate, feeder move	1	000-139-9370-18	\$25.00
61	Consult	Cap, harness, switch	1	000-091-0707-09	\$2.00
62	189253	L plate B, detecting plate	1	100-002-0735-00	\$13.00
501	157857	Sensor assembly, lift, tray detect, B206	1	000-072-2231-28	\$154.00
502	171837	Photo interrupter, sensor, transmitter, straight connector, B213	1	000-132-6468-07	\$21.00
503	104239	Photo interrupter, transmitter, white conn., B212, B217-B218	3	000-070-5204-14	\$12.00
504	125711	Photo interrupter, sensor, transmitter, B215T, B216T (Note: transmit sensor does not include item #509 189254 sheet, sensor	2	000-112-9768-07	\$11.00
505	125712	Photo interrupter, sensor, receiver, B215, B216	2	000-112-9769-01	\$27.00
506	Consult	Accessory band, marking tie	1	000-135-2735-09	\$3.00
507	Consult	Accessory band, marking tie	1	000-135-2736-02	\$3.00
508	157866	Switch safety, film over door, S200	1	000-111-8428-00	\$92.00
509	189254	Sheet, sensor	2	000-095-4038-04	\$3.00
601	189255	Harness, C6, feeder move	1	100-000-7012-00	\$28.00
602	172559	Harness, C17, feeder move	1	100-001-2953-00	\$280.00
603	203535	Harness, C8, sensor	1	000-135-2786-27	\$47.00
604	203536	Harness, C5, SW	1	000-137-8142-25	\$40.00
Assembly	201989	Kit, photo interrupters and sensor sheet, one each of 125711, 125712 and 189254			\$38.00

Ishida WM-Ai

Film Feeder Move Unit



- B206 - Tray on lift detect
- B212 - Rear film feeder, home position
- B213 - Front film feeder, home position
- B215 - Infeed safety, front left, receiver
- B215T - Infeed safety, front right, transmitter
- B216 - Infeed safety, rear right, receiver
- B216T - Infeed safety, rear left, transmitter
- B217 - Rear film feeder, small lift clearance
- B218 - Rear film feeder, large lift clearance

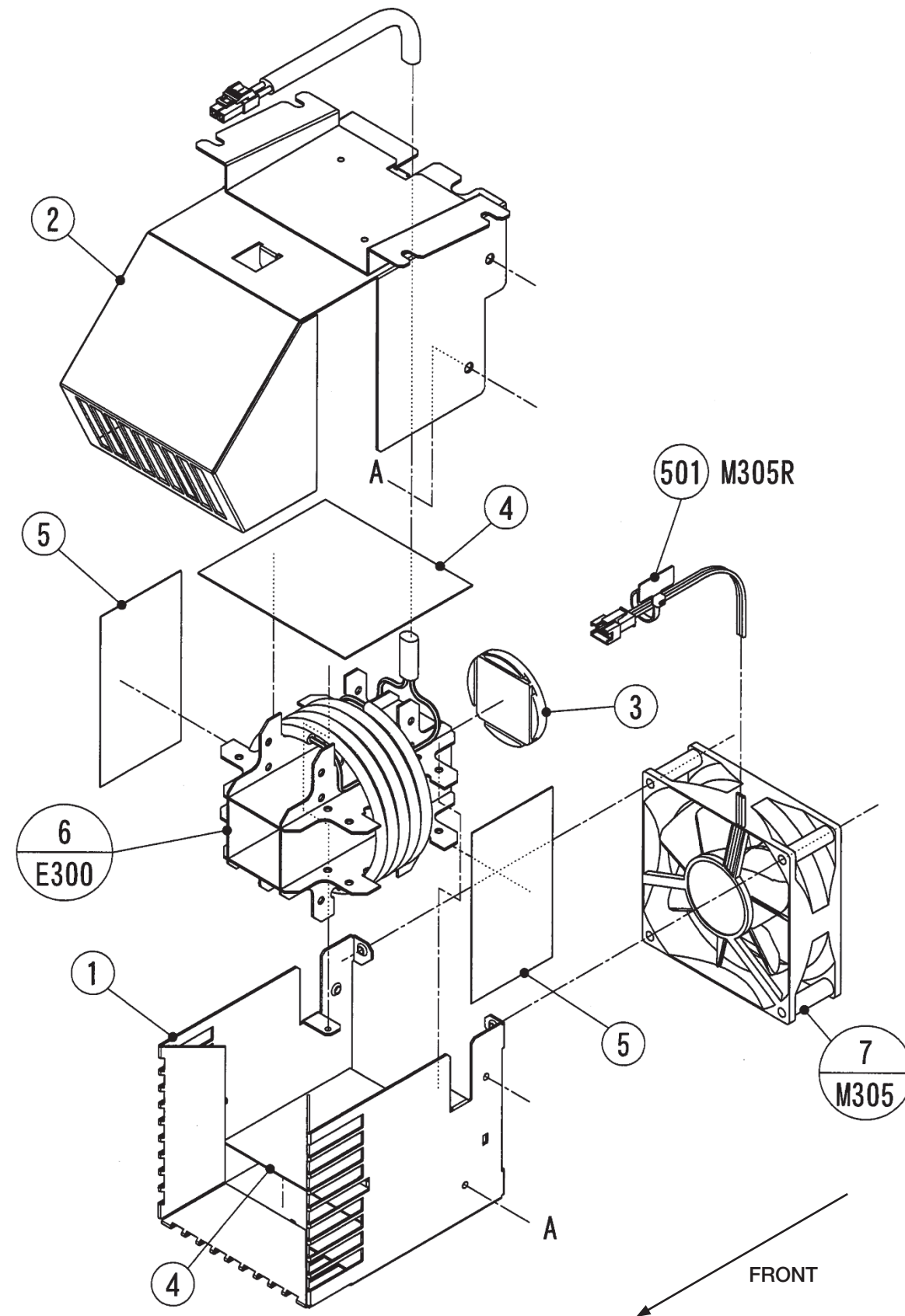
Film Heater Unit

Part Number/Price

REF #	PART #	DESCRIPTION	QTY	SYNONYM	PRICE
1	Consult	Chassis, fan heater	1	000-135-0206-26	\$63.00
2	Consult	Cover, fan heater	1	000-135-0207-58	\$74.00
3	164372	Plate B fan heater	1	000-111-8204-02	\$8.00
4	186811	Plate B, heater	2	000-124-0457-00	\$4.00
5	186812	Plate A, heater	2	000-124-0458-03	\$4.00
6	193539	Element, heater assembly, E300, 96 ohm	1	100-002-1354-00	\$169.00
7	193540	Fan, film heater, M305	1	000-086-7320-04	\$79.00
501	Consult	Accessory, band, marking tie	1	000-135-4843-05	\$2.00
Assembly	172633	Fan heater unit, complete assembly	1	100-002-3576-00	\$311.00

Ishida WM-Ai

Film Heater Unit



Film Insertion Unit

Part Number/Price

REF #	PART #	DESCRIPTION	QTY	SYNONYM	PRICE
1	189256	Collar	8	000-135-7088-10	\$2.00
2	47165*	Bearing, radial	10	000-000-3610-03	\$8.00
5	172563*	Roller assembly, clutch, one groove (does not include 1 pc. #2 or ret. ring)	8	000-139-9381-11	\$59.00
6	172565*	Roller assembly, clutch, five grooves (does not include 1 pc. #2 or ret. ring)	2	000-136-3745-09	\$109.00
—	200445	Retaining ring, 8 mm shaft, black oxide	20	000-000-4192-07	\$2.00
7	189262	Holder, film, upper roll	1	000-134-8338-48	\$465.00
8	172566	Holder, film, lower roll	2	000-134-8341-40	\$309.00
9	189265	Block B, change over	2	000-135-7304-05	\$50.00
10	189267*	Shaft, clutch, roller, from s/n 100524993	2	000-133-8393-34	\$79.00
—	200468	Bolt, socket hex, w/spring washer, M5 x 12 SST	1	000-004-2110-03	\$2.00
11	Consult	Bracket, joint	1	000-133-8431-23	\$52.00
—	200463	Bolt, hex socket M3 x 8mm, high strength black oxide	1	000-126-7076-04	\$2.00
12	189269	Bracket, catch	1	000-134-8016-27	\$41.00
13	Consult	Detect plate, transfer	1	000-137-8064-20	\$16.00
14	192861	Shaft, joint	2	000-133-8438-00	\$11.00
—	200463	Bolt, hex socket M3 x 8mm, high strength black oxide	1	000-126-7076-04	\$2.00
15	199748	Shaft, roller	1	000-137-8034-36	\$55.00
16	157853	Catch, push latch	2	000-070-1072-06	\$8.00
17	Consult	Bracket, joint, upper	1	000-133-8434-25	\$20.00
18	195219	Bracket, catch, upper	1	000-134-8010-26	\$24.00
20	199749	Stay, holder, film	1	100-001-6587-02	\$127.00
22	199750	Shaft, change over	1	000-133-8463-61	\$75.00
—	200468	Bolt, socket hex, w/spring washer, M5 x 12 SST	1	000-004-2110-03	\$2.00
23	189230	Key, parallel, both ends round	2	000-009-9828-05	\$9.00
24	199751	Key, parallel, both ends round	1	000-057-9310-04	\$5.00
25	198677	Collar, spacer	1	000-042-5082-05	\$2.00
26	199752	Gear, flat, change	1	000-135-7390-15	\$36.00
27	188065	Frame, change over	1	100-004-5821-00	\$211.00
28	188066	Frame, change over	1	100-004-5822-00	\$84.00
29	160748	Bearing radial, deep groove	2	000-094-2649-05	\$8.00
30	191014	Stay, interface	1	000-139-9350-21	\$113.00
31	172567	Housing, linear bush	2	000-135-7305-09	\$31.00
32	172568	Bearing, linear bush	4	000-070-1070-09	\$23.00
33	Consult	Collar	1	000-063-1176-02	\$2.00
34	Consult	Detect plate, transfer, move	1	000-147-0655-02	\$18.00
35	Consult	Bracket, motor	1	000-133-8426-32	\$41.00
36	125715	Motor assembly, stepping Z, M304	1	000-111-8337-04	\$158.00
37	199753	Gear, flat	1	000-135-7393-07	\$22.00
38	Consult	Shaft, rack, brake	1	000-133-8427-36	\$11.00
39	Consult	Stopper, rack	1	000-139-9253-14	\$29.00
40	Consult	Bracket, solenoid	1	000-133-8387-32	\$14.00
41	Consult	Link	1	000-046-2225-09	4.00
42	171855	White gear, flat, idler	1	000-135-7084-06	\$5.00
43	172569	Solenoid assembly, L302	1	000-138-5600-02	\$34.00
44	199754	Bracket, sheet	1	000-147-0978-04	\$91.00
—	168506	Wire anti-static, 20 in (sold by the inch)	2	142-6094-07	\$2.00
45	172570	Spring, coil, compressive	1	000-133-8484-11	\$3.00
46	Consult	Collar	1	000-017-6855-00	\$3.00
47	Consult	Bracket, cutter, loading	1	100-001-6573-00	\$36.00
48	Consult	Plate B, cutter, trimming	2	100-001-6574-00	\$10.00
49	198652	Cutter	2	000-139-9413-04	\$5.00
50	Consult	Frame, rear	1	000-147-0915-19	\$274.00
51	Consult	Plate A, interference	1	000-076-1711-06	\$4.00
52	204693	Shaft, linear	2	000-133-8478-09	\$59.00
53	172571	Spring, coil, compressive	2	000-133-8488-06	\$4.00
54	Consult	Bracket, sensor	2	000-134-8090-14	\$4.00
55	Consult	Bracket, drive, transfer	1	100-004-5826-00	\$100.00
56	189111	Rubber pad	2	000-039-8056-01	\$2.00
*Assembly	206218	Shaft assembly, clutch roller, from s/n 100524993, March 2021 (includes #2, 5, 6, and 10)	2	100-044-0361-00	\$393.00

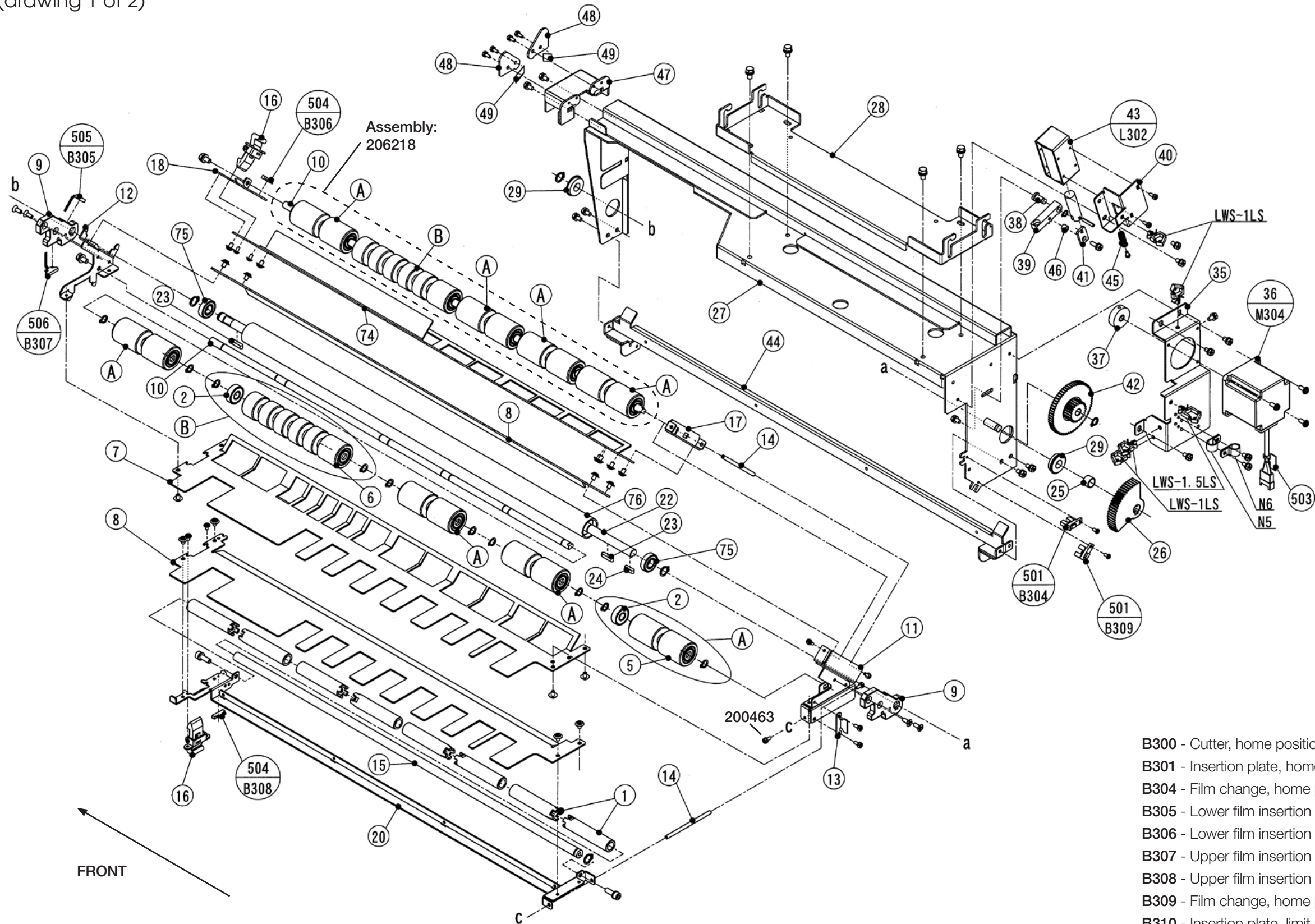
Film Insertion Unit

Part Number/Price

REF #	PART #	DESCRIPTION	QTY	SYNONYM	PRICE
57	172572	Bearing, radial, deep groove	2	000-094-2650-00	\$6.00
58	204691	Bracket, pulley, idler	1	100-004-5831-00	\$19.00
59	191003	Shaft, drive	1	000-133-8404-12	\$17.00
60	191006	Timing pulley, S5M, BF	1	000-057-0324-03	\$30.00
61	Consult	Bracket, motor, s-fold	1	100-004-5827-00	\$21.00
62	172573	Motor assembly, stepping X, M303	1	000-138-2122-08	\$74.50
63	172554	Timing belt, HPS5M	1	000-109-8058-13	\$15.00
64	191007	Key, parallel, both ends round	1	000-002-7289-00	\$9.00
65	204692	Timing pulley, S5M, AF	1	000-141-6389-08	\$16.00
66	211708	Sheet, cutter	1	000-133-8381-00	\$7.00
67	187231	Lever, drive	1	000-135-7391-00	\$27.00
68	172319	Rod end, type I, F	1	000-000-3738-06	\$42.00
69	172320	Rod end, type I, F	1	000-004-1447-04	\$22.00
70	189102	Hex nut, T1, left-hand thread	1	000-000-0109-02	\$2.00
71	189270	Threaded rod, turnbuckle, mm	1	000-133-8396-16	\$22.00
74	192219	Holder, film, lower roll	1	100-002-1085-03	\$290.00
75	47168	Bearing, radial, deep groove	2	000-000-3659-05	\$23.00
76	189271	Roller, film, lower	1	100-002-2344-00	\$146.00
501	171837	Photo interrupter, trans, straight connector, B300, B301, B304, B309, B310	5	000-132-6468-07	\$21.00
502	Consult	Accessory, band, marking tie	1	000-135-2727-09	\$2.00
503	Consult	Accessory, band, marking tie	1	000-135-2728-02	\$2.00
504	105979	Magnet, green, frame, upper B308, lower B306	2	000-067-2609-01	\$17.00
—	189088	Screw, mount, Cross-Head, M2x4, SST	4	—	\$2.00
505/506	203971	Sensor assembly, open/close, upper & lower, B305, B307	1	100-038-2184-00	\$193.00
—	189088	Screw, mount, Cross-Head, M2x4, SST	2	—	\$2.00
507	172574	Fan assembly, fan heater left, M306	1	100-002-1276-00	\$99.00
999	171856	Magnet, green proximity sensor, 3-inch leads, no connector		100-006-2238-00	\$25.00

Ishida WM-Ai

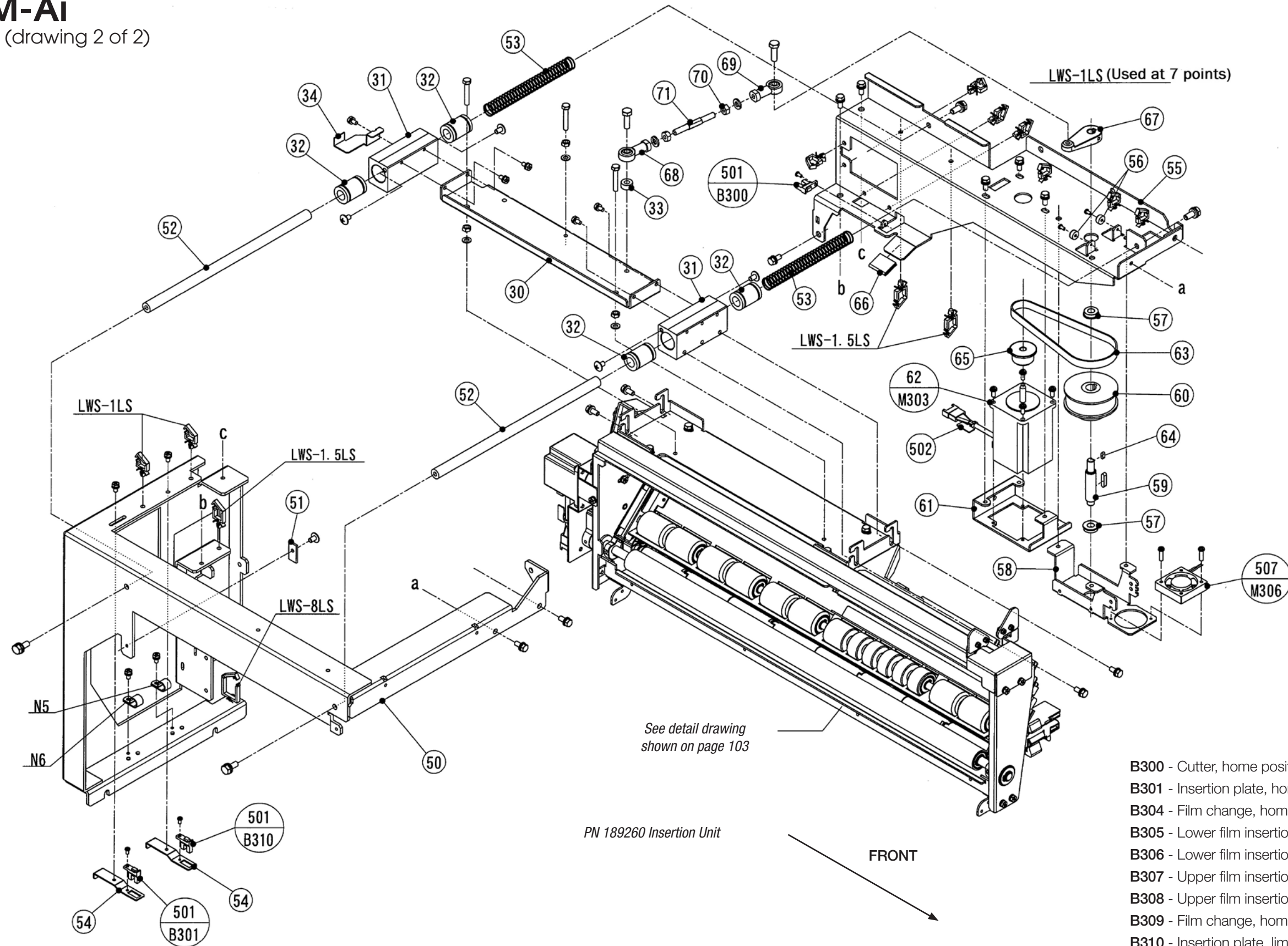
Film Insertion Unit (drawing 1 of 2)



- B300 - Cutter, home position
- B301 - Insertion plate, home position
- B304 - Film change, home position, inside, upper
- B305 - Lower film insertion plate, open/closed
- B306 - Lower film insertion plate, open/closed, magnet
- B307 - Upper film insertion plate, open/closed
- B308 - Upper film insertion plate, open/closed, magnet
- B309 - Film change, home position, outside, lower
- B310 - Insertion plate, limit position

Ishida WM-Ai

Film Insertion Unit (drawing 2 of 2)



- B300 - Cutter, home position
- B301 - Insertion plate, home position
- B304 - Film change, home position, inside, upper
- B305 - Lower film insertion plate, open/closed
- B306 - Lower film insertion plate, open/closed, magnet
- B307 - Upper film insertion plate, open/closed
- B308 - Upper film insertion plate, open/closed, magnet
- B309 - Film change, home position, outside, lower
- B310 - Insertion plate, limit position

Film Insertion Unit - WM-Ai-P Update

For WM-Ai-P Wrapper from SN 100504904

Part Number/Price

REF #	PART #	DESCRIPTION	QTY	SYNONYM	PRICE
	Consult	Film Transport Unit	1	100-041-9391-00	Consult
1	Consult	Collar	8	100-030-2598-00	Consult
2	47165*	Bearing, radial	10	000-000-3610-03	\$8.00
5	172563*	Roller assembly clutch, one groove (does not include 1 pc. #2 or ret. ring)	8	000-139-9381-11	\$59.00
6	172565*	Roller assembly clutch, five grooves (does not include 1 pc. #2 or ret. ring)	2	000-136-3745-09	\$109.00
—	200445	Retaining ring, 8 mm shaft, black oxide	20	000-000-4192-07	\$2.00
7	Consult	Holder film, upper roll, new style/coating	1	100-042-6145-00	Consult
8	Consult	Holder, film, lower, new style/coating	1	100-042-6150-00	Consult
9	189265	Block B, change over	2	000-135-7304-05	\$50.00
10	189267*	Shaft, clutch roller	2	000-133-8393-36	\$79.00
—	200468	Bolt, socket hex, w/spring washer, M5 x 12 SST	1	000-004-2110-03	\$2.00
11	Consult	Bracket, joint, new style/coating	1	100-028-4517-01	Consult
12	Consult	Bracket, catch, new style/coating	1	100-028-4538-01	Consult
13	Consult	Detect plate, transfer	1	000-137-8064-20	\$16.00
14	192861	Shaft, joint	2	000-133-8438-00	\$11.00
—	200463	Bolt, hex socket M3 x 8mm, high strength black oxide	1	000-126-7076-04	\$2.00
15	199748	Shaft, roller	1	000-137-8034-36	\$55.00
16	157853	Catch, push latch	2	000-070-1072-06	\$8.00
17	Consult	Bracket, joint, new style/coating	1	100-028-4545-01	Consult
18	Consult	Bracket, catch, new style/coating	1	100-028-4551-01	Consult
20	199749	Stay, holder, film	1	100-001-6587-03	\$127.00
22	199750	Shaft, change over	1	000-133-8463-62	\$75.00
—	200468	Bolt, socket hex, w/spring washer, M5 x 12 SST	1	000-004-2110-03	\$2.00
23	189230	Key, parallel, both ends round	2	000-009-9828-05	\$9.00
24	199751	Key, parallel, both ends round	1	000-057-9310-04	\$5.00
25	198677	Collar, spacer	1	000-042-5082-05	\$2.00
26	199752	Gear, flat, change	1	000-135-7390-15	\$36.00
27	Consult	Frame, change over	1	100-038-0923-00	Consult
28	188066	Frame, change over, upper	1	100-004-5822-00	\$84.00
29	160748	Bearing radial, deep groove	2	000-094-2649-05	\$8.00
30	191014	Stay, interface	1	000-139-9350-21	\$113.00
31	172567	Housing, linear bush	2	000-135-7305-09	\$31.00
32	172568	Bearing, linear bush	4	000-070-1070-09	\$23.00
33	Consult	Collar	1	000-063-1176-02	\$2.00
34	Consult	Detect plate, transfer, move	1	000-147-0655-02	\$18.00
35	Consult	Bracket, motor	1	000-133-8426-32	\$41.00
36	125715	Motor assembly, stepping Z, M304	1	000-111-8337-04	\$158.00
37	199753	Gear, flat	1	000-135-7393-07	\$22.00
38	Consult	Shaft, rack, brake	1	000-133-8427-36	\$11.00
39	Consult	Stopper, rack	1	000-139-9253-14	\$29.00
40	Consult	Bracket, solenoid	1	000-133-8387-32	\$14.00
41	Consult	Link	1	000-046-2225-09	\$4.00
42	171855	White gear, flat, idler	1	000-135-7084-06	\$5.00
43	172569	Solenoid assembly, L302	1	000-138-5600-02	\$34.00
44	199754	Bracket, sheet	1	000-147-0978-04	\$91.00
—	168506	Wire anti-static, 20 in (sold by the inch)	2	142-6094-07	\$2.00
45	172570	Spring, coil, compressive	1	000-133-8484-11	\$3.00
46	Consult	Collar	1	000-017-6855-00	\$3.00
*Assembly	206218	Shaft assembly, clutch roller, from s/n 100524993, March 2021 (includes #2, 5, 6, and 10)	2	100-044-0361-00	\$393.00

Film Insertion Unit - WM-Ai-P Update

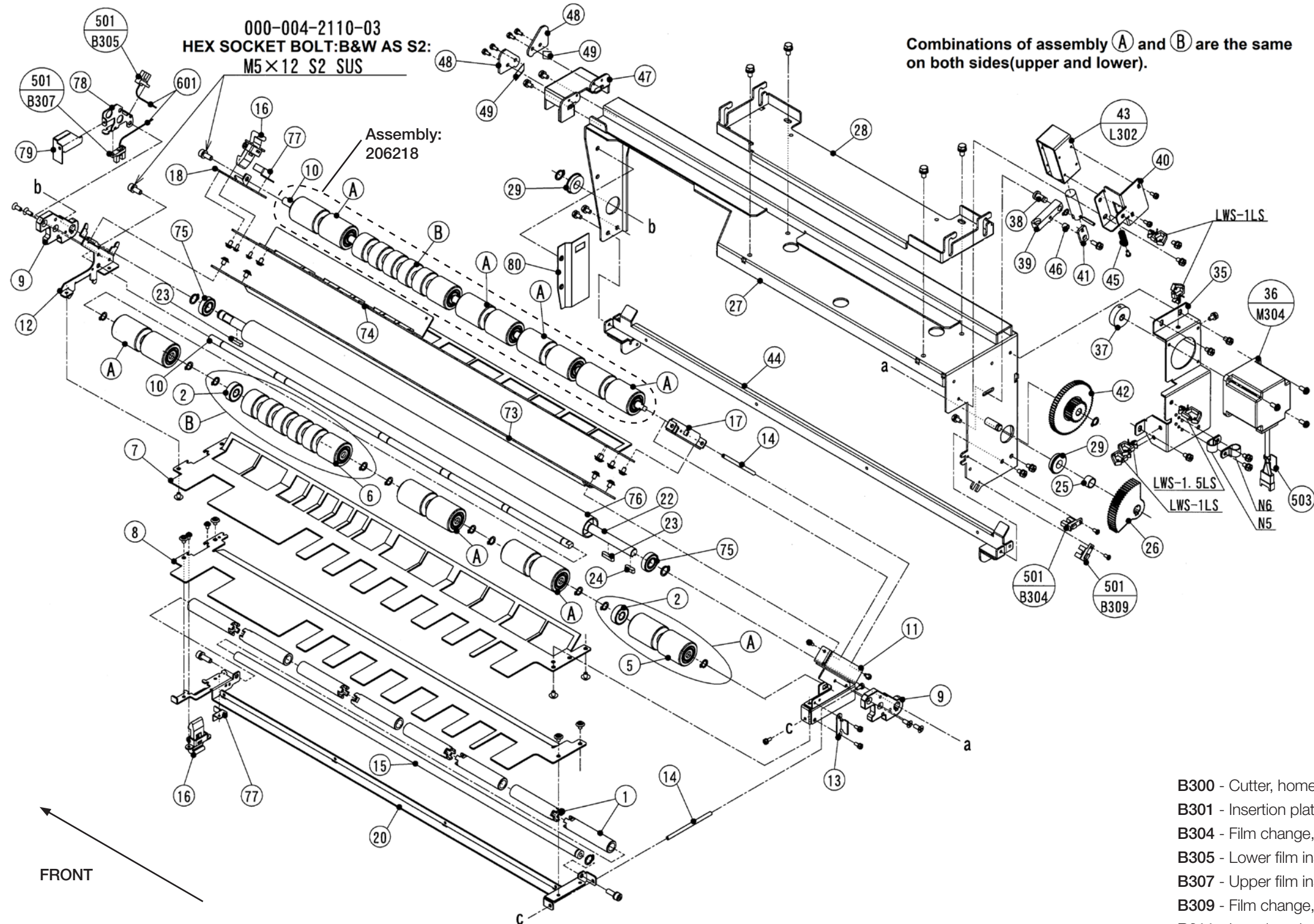
For WM-Ai-P Wrapper from SN 100504904

Part Number/Price

REF #	PART #	DESCRIPTION	QTY	SYNONYM	PRICE
47	Consult	Bracket, cutter, loading	1	100-001-6573-00	\$36.00
48	Consult	Plate B, cutter, trimming	2	100-001-6574-00	\$10.00
49	198652	Cutter	2	000-139-9413-04	\$5.00
50	Consult	Frame, rear	1	000-147-0915-19	\$274.00
51	Consult	Plate A, interference	1	000-076-1711-06	\$4.00
52	204693	Shaft, linear	2	000-133-8478-09	\$59.00
53	172571	Spring, coil, compressive	2	000-133-8488-06	\$4.00
54	Consult	Bracket, sensor	2	000-134-8090-14	\$4.00
55	Consult	Bracket, drive, transfer	1	100-004-5826-00	\$100.00
56	189111	Rubber pad	2	000-039-8056-01	\$2.00
57	172572	Bearing, radial, deep groove	2	000-094-2650-00	\$6.00
58	204691	Bracket, pulley, idler	1	100-004-5831-00	\$19.00
59	191003	Shaft, drive	1	000-133-8404-12	\$17.00
60	191006	Timing pulley, S5M, BF	1	000-057-0324-03	\$30.00
61	Consult	Bracket, motor, s-fold	1	100-004-5827-00	\$21.00
62	172573	Motor assembly, stepping X, M303	1	000-138-2122-08	\$74.50
63	172554	Timing belt, HPS5M	1	000-109-8058-13	\$15.00
64	191007	Key, parallel, both ends round	1	000-002-7289-00	\$9.00
65	204692	Timing pulley, S5M, AF	1	000-141-6389-08	\$16.00
66	211708	Sheet, cutter	1	000-133-8381-20	\$7.00
67	187231	Lever, drive	1	000-135-7391-00	\$27.00
68	172319	Rod end, type I, F	1	000-000-3738-06	\$42.00
69	172320	Rod end, type I, F	1	000-004-1447-04	\$22.00
70	189102	Hex nut, T1, left-hand thread	1	000-000-0109-02	\$2.00
71	189270	Threaded rod, turnbuckle, mm	1	000-133-8396-16	\$22.00
73	Consult	Holder, film, lower, new style/coating	1	100-042-6182-00	Consult
74	Consult	Holder, film, upper, new style/coating	1	100-042-6187-00	Consult
75	47168	Bearing, radial, deep groove	2	000-000-3659-05	\$23.00
76	189271	Roller, film, lower	1	100-002-2344-00	\$146.00
77	Consult	Detecting plate	2	100-038-0934-00	Consult
78	Consult	Bracket, sensor, change	1	100-038-0925-00	Consult
79	Consult	Cover, harness	1	100-038-0926-00	Consult
80	Consult	Cover, harness	1	100-038-0924-00	Consult
501	171837	Photo interrupter, trans, straight connector, B300, B301, B304, B305, B307, B309, B311	5	000-132-6468-07	\$21.00
502	Consult	Accessory, band, marking tie	1	000-135-2727-09	\$2.00
503	Consult	Accessory, band, marking tie	1	000-135-2728-02	\$2.00
507	172574	Fan assembly, fan heater left, M306	1	100-002-1276-00	\$99.00
601	205133	Harness: C3: Open/Close (to B305, B307)	1	100-036-0987-00	\$84.00

Ishida WM-Ai

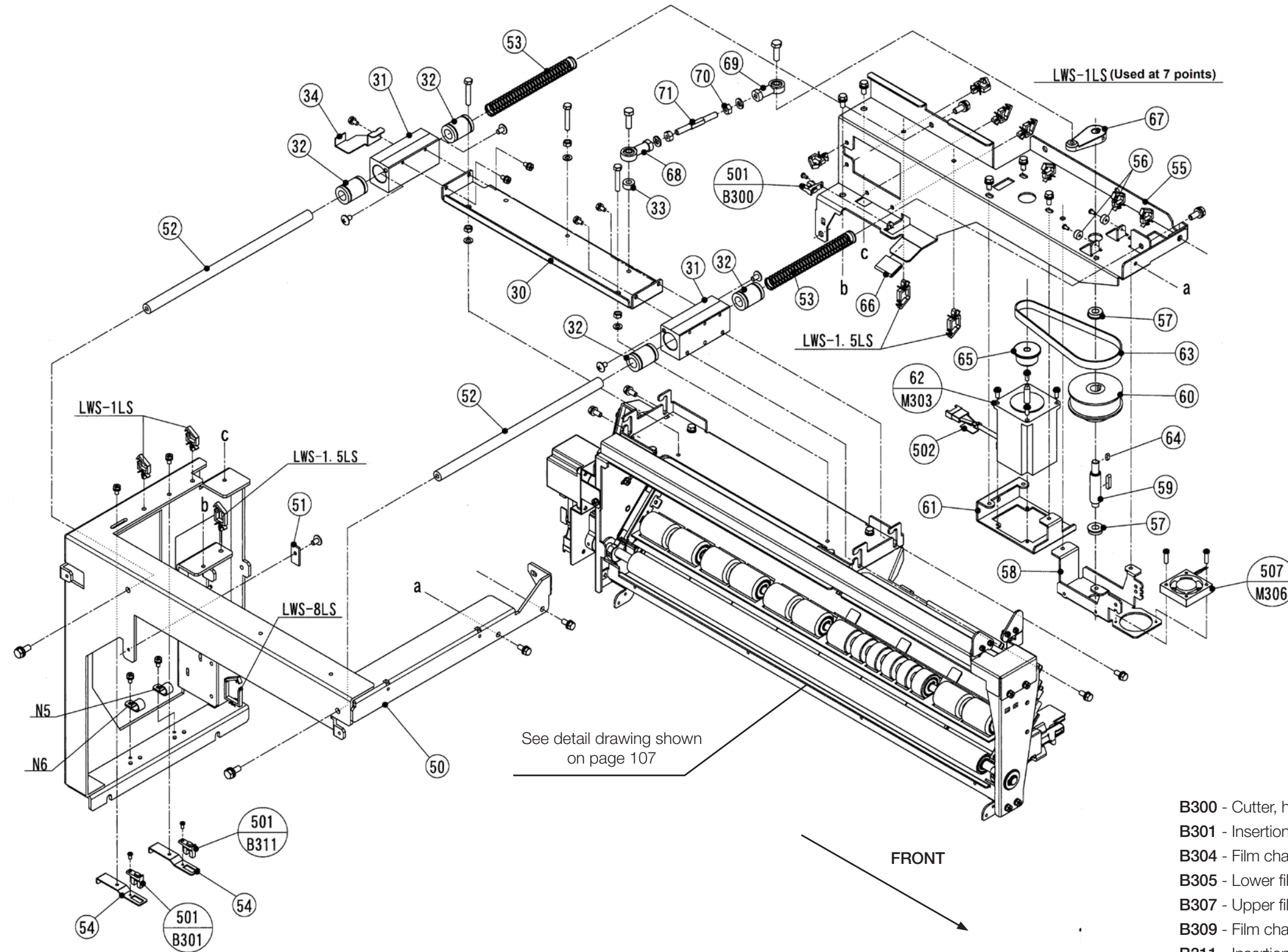
Film Insertion Unit - WM-Ai-P Update (drawing 1 of 2)
 For WM-Ai-P Wrapper from SN 100504904



- B300 - Cutter, home position
- B301 - Insertion plate, home position
- B304 - Film change, home position, inside, upper
- B305 - Lower film insertion plate, open/closed
- B307 - Upper film insertion plate, open/closed
- B309 - Film change, home position, outside, lower
- B311 - Insertion plate, limit position

Ishida WM-Ai

Film Insertion Unit - WM-Ai-P Update (drawing 2 of 2)
 For WM-Ai-P Wrapper from SN 100504904



- B300 - Cutter, home position
- B301 - Insertion plate, home position
- B304 - Film change, home position, inside, upper
- B305 - Lower film insertion plate, open/closed
- B307 - Upper film insertion plate, open/closed
- B309 - Film change, home position, outside, lower
- B311 - Insertion plate, limit position

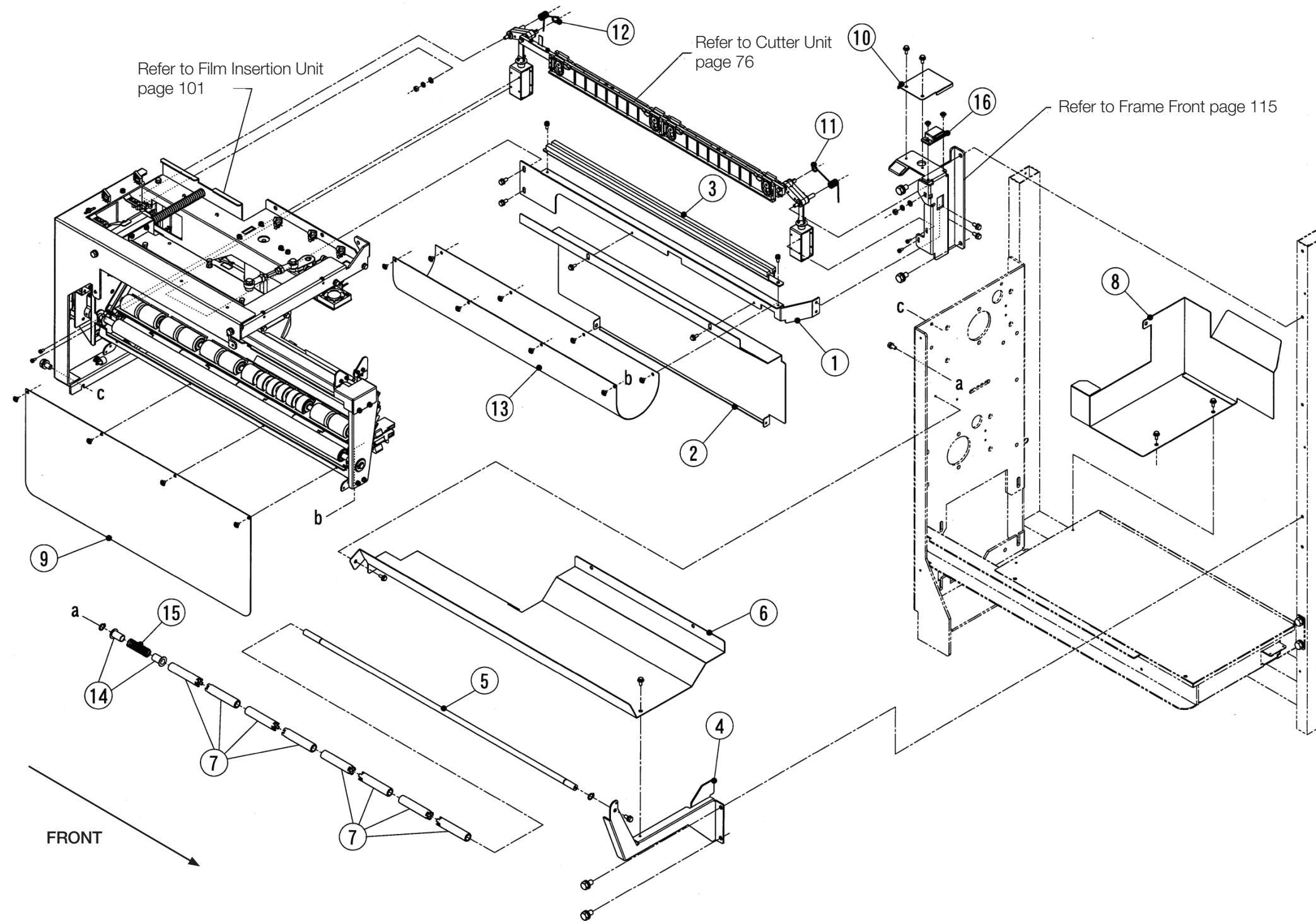
Film Transport Unit

Part Number/Price

REF #	PART #	DESCRIPTION	QTY	SYNONYM	PRICE
1	Consult	Bracket, base, cutter	1	000-134-8326-32	\$63.00
2	Consult	Cover, feeder	1	000-135-4602-41	\$77.00
3	171852	Base assembly, cutter	1	000-139-9327-17	\$113.00
4	Consult	Frame, front, film	1	000-133-8483-35	\$52.00
—	168506	Wire, anti-static, 20 in (sold by the inch)	1	142-6094-07	\$2.00
5	Consult	Shaft, roller, lower	1	000-133-8479-31	\$66.00
6	Consult	Frame, middle	1	000-135-4612-48	\$74.00
7	189256	Collar	8	000-135-7088-10	\$2.00
8	Consult	Cover, roll driver	1	000-135-2998-20	\$59.00
9	192220	Sheet, roll	1	000-130-6515-13	\$64.00
10	Consult	Cover, feeder	1	000-139-9376-19	\$22.00
11	172560	Spring, coil	1	000-134-8019-37	\$5.00
12	172561	Spring, coil	1	000-139-9279-20	\$5.00
13	192221	Cover, film, lower	1	100-001-6593-00	\$131.00
14	189259	Bush	2	000-122-5879-01	\$3.00
15	172562	Spring, coil, compressive	1	100-002-2330-00	\$8.00
16	Consult	Catch, magnet	1	000-071-4582-07	\$5.00
Assembly	Consult	Cutter unit, see section Cutter Unit on page 76		000-151-6197-11	Consult
Assembly	Consult	Frame, front assembly, see section Frame Front on page 115		000-151-6183-08	Consult
Assembly	189260	Film insertion unit, see section Film Insertion Unit on page 101		000-151-1667-13	\$3,649.00

Ishida WM-Ai

Film Transport Unit



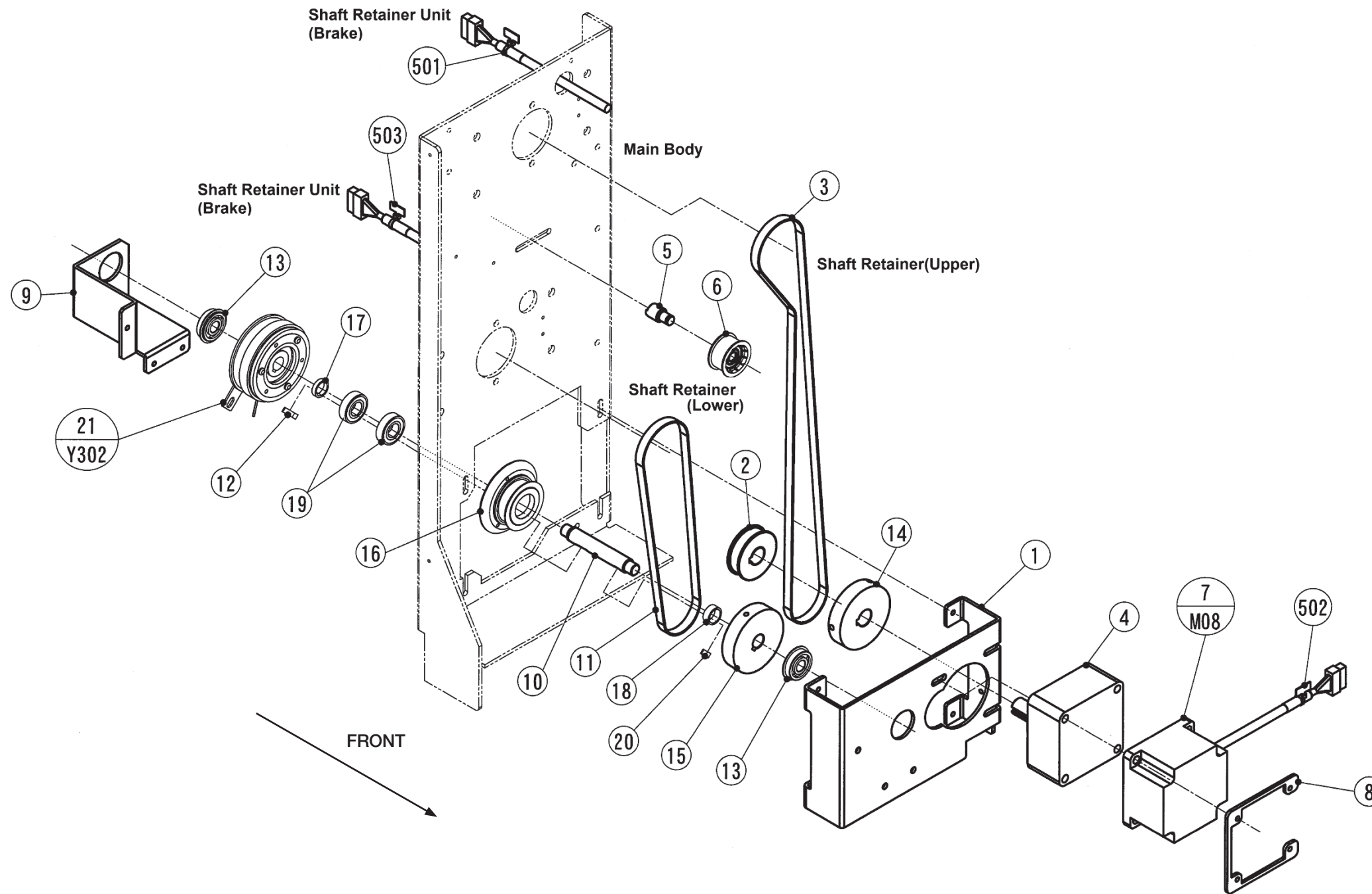
Film Roll Drive Unit

Part Number/Price

REF #	PART #	DESCRIPTION	QTY	SYNONYM	PRICE
1	Consult	Bracket, motor	1	000-145-8437-19	\$48.00
2	Consult	Timing, pulley, S5M, AF	1	000-139-9397-08	\$31.00
3	172552	Timing belt, HPS5M	1	000-109-8057-10	\$28.00
4	172557	Gear head	1	000-055-9082-01	\$217.00
5	189200	Shaft, tension, s-fold	1	000-086-7487-11	\$9.00
6	93622	Pulley, idler	1	000-045-3957-08	\$17.00
7	194507	Motor, DC brushless, M08	1	000-135-2937-04	\$527.00
8	203959	Plate B, motor film roll	1	000-116-1865-14	\$11.00
9	Consult	Bracket, bearing	1	000-145-8434-09	\$28.00
10	203961	Shaft, follower	1	000-139-2946-16	\$87.00
11	172597	Timing belt, HPS5M	1	000-145-8439-07	\$23.00
12	189211	Key, parallel, both ends round	1	000-005-3753-09	\$4.00
13	160472	Bearing, radial, deep groove, with retaining ring	2	000-039-2451-07	\$16.00
14	Consult	Gear, flat	1	000-139-2948-22	\$94.00
15	210908	Gear, flat	1	000-139-2949-26	\$97.00
16	172598	Timing pulley, S5M: 65761 recommended	1	000-139-9398-01	\$36.00
17	189280	Collar	1	000-139-2535-00	\$5.00
18	210909	Collar	1	000-139-2947-10	\$12.00
19	65761	Bearing, radial, deep groove	2	000-000-3643-06	\$17.00
20	189281	Key, parallel, both ends round	1	000-046-2185-03	\$4.00
21	172599	Clutch assembly, roll hold, Y302	1	000-139-9080-08	\$311.00
501	Consult	Accessory, band, marking tie	1	000-135-4852-09	\$2.00
502	Consult	Accessory, band, marking tie	1	000-135-2737-06	\$2.00
503	Consult	Accessory, band, marking tie	1	000-135-4853-02	\$2.00

Ishida WM-Ai

Film Roll Drive Unit



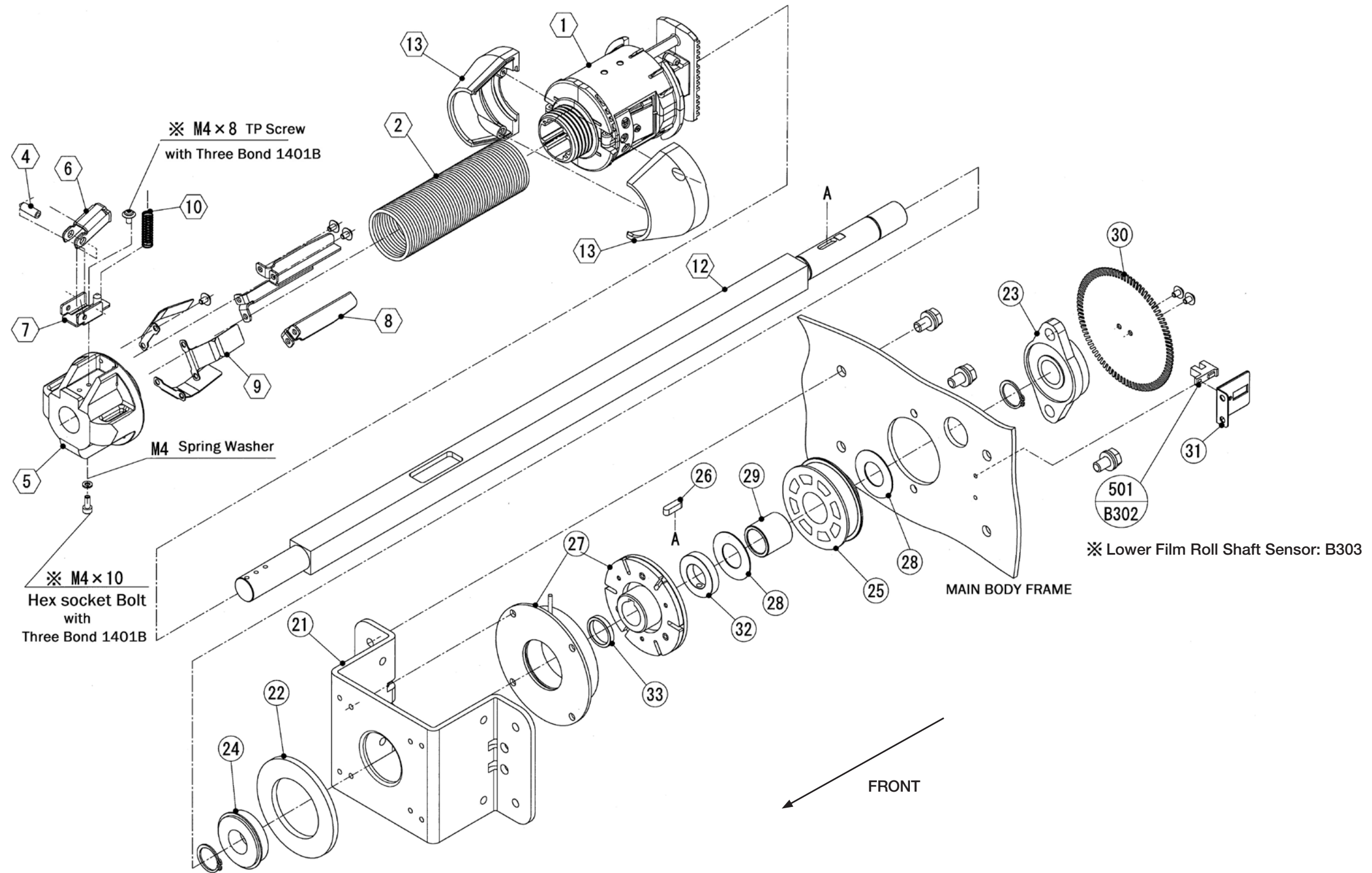
Film Roll Shaft Unit

Part Number/Price

REF #	PART #	DESCRIPTION	QTY	SYNONYM	PRICE
1	171858	Slide, roll assembly, includes grab spikes	1	000-135-2870-09	\$154.00
2	197051	Spring, coil slide roll	1	000-070-5032-39	\$23.00
4	203963	Shaft, holder, roll	1	000-150-3396-05	\$47.00
5	203966	Holder, roll, film	1	000-073-7229-07	\$47.00
—	Consult	Bolt, hex socket head, M4x10	2	—	Consult
—	Consult	Washer, split, M4	2	—	Consult
6	203969	Stopper, film, roll	1	000-150-3397-10	\$6.00
7	201641	Bracket, holder, roll	1	000-091-0549-16	\$10.00
8	189282	Guide, roll, film	3	000-139-2762-09	\$6.00
9	189283	Spring, plate	3	000-070-5268-31	\$5.00
10	189284	Spring, coil, compressive	1	000-053-8768-03	\$2.00
12	203972	Shaft, roll	1	100-012-7174-01	\$426.00
13	203973	Guide, film roll	2	000-139-2761-05	\$3.00
21	203974	Bracket, roll hold	1	000-136-3676-03	\$41.00
22	203975	Sheet, stopper, round	1	000-147-0538-08	\$11.00
23	172600	Bearing, unit flange	1	000-030-6417-09	\$40.00
24	172602	Bearing, radial, deep groove	1	000-028-1568-09	\$13.00
25	172603	Timing pulley, S5M, BF, with one-way bearing	1	000-139-9396-04	\$35.00
26	189211	Key, parallel, both ends round	1	000-005-3753-09	\$4.00
27	172604	Brake assembly, roll hold, Y300 (upper), Y301 (lower)	1	000-139-9079-03	\$225.00
28	200521	Washer, thrust M20 plastic	2	000-006-6101-09	\$6.00
29	172605	Clutch, one way	1	000-137-8116-00	\$106.00
30	189285	Plate B, encoder	1	000-139-9150-14	\$6.00
31	189286	Bracket, sensor	1	000-137-8121-36	\$3.00
32	203976	Collar, fixed film roll	1	000-139-2952-28	\$13.00
33	203977	Collar, film roll shaft	1	000-139-2965-17	\$8.00
501	171837	Photo interrupter, trans, straight connector, B302 (upper) B303 (lower)	1	000-132-6468-07	\$21.00

Ishida WM-Ai

Film Roll Shaft Unit



B302 - Rotation speed encoder, upper film roll
B303 - Rotation speed encoder, lower film roll

ISHIDA WM-AI

Frame Front

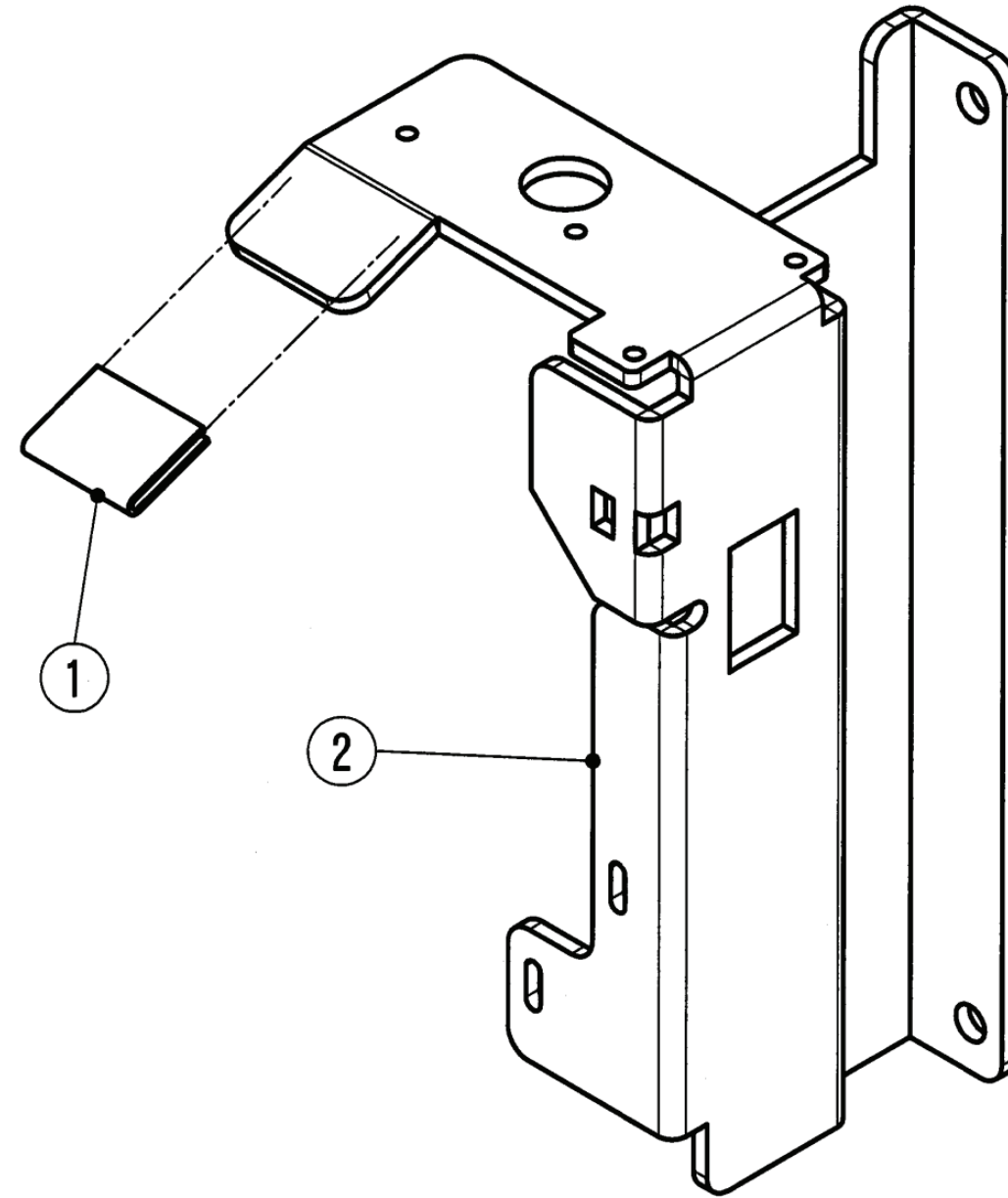
Part Number/Price

REF #	PART #	DESCRIPTION	QTY	SYNONYM	PRICE
1	211708	Sheet, cutter	1	000-133-8381-00	\$8.00
2	Consult	Frame, front	1	000-133-8418-51	\$55.00

Ishida WM-Ai

Ishida WM-Ai

Frame Front



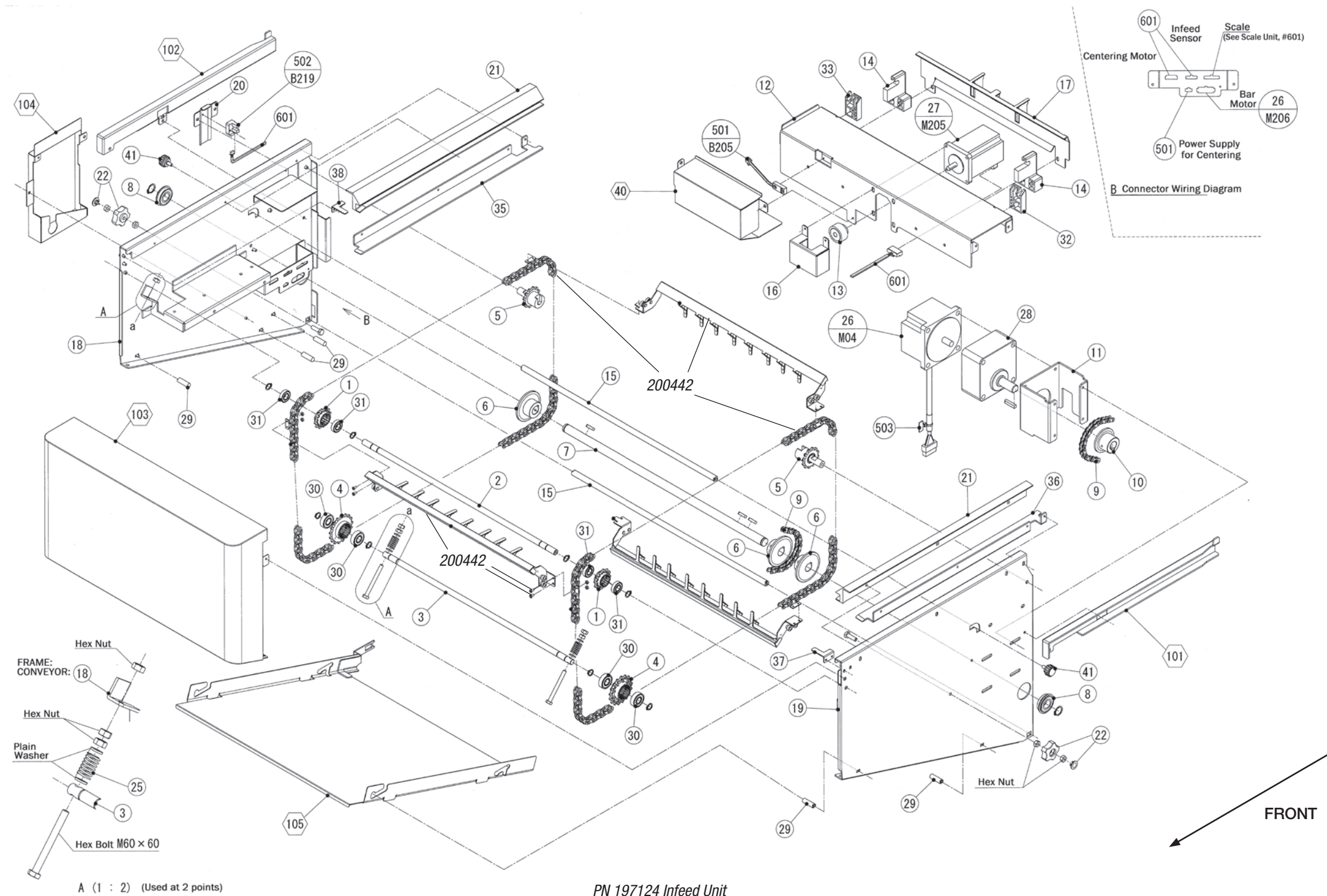
Infeed Unit

Part Number/Price

REF #	PART #	DESCRIPTION	QTY	SYNONYM	PRICE
1	172491	Sprocket, 35, C	2	000-111-8388-04	\$5.00
2	193544	Shaft, fixed	1	000-139-9177-05	\$169.00
3	189119	Shaft, tension	1	000-106-6974-25	\$156.00
4	172496	Sprocket, 35, C	2	000-111-8389-08	\$8.00
5	172499	Sprocket assembly	2	000-076-9971-16	\$97.00
6	189120	Sprocket, T35, B	3	000-076-9805-11	\$34.00
7	193545	Shaft, drive	1	000-135-2527-29	\$166.00
8	106115	Bearing, radial, deep groove	2	000-030-6366-02	\$14.00
9	172503	Chain, drive, roller	1	100-002-2186-00	\$87.00
10	189121	Sprocket, T35, B	1	000-135-7309-12	\$41.00
11	Consult	Bracket, motor, conveyor	1	000-135-0473-42	\$33.00
12	Consult	Bracket, cover, motor	1	000-135-0135-16	\$71.00
13	193373	Gear, flat	1	000-076-1963-08	\$55.00
14	189122	Holder, shaft, lower	2	000-076-9797-05	\$8.00
15	204448	Threaded rod, round FF	2	000-135-0132-15	\$103.00
16	Consult	Cover, gear	1	000-072-2200-04	\$23.00
17	172504	Guide, transfer	1	000-149-6865-12	\$116.00
18	189123	Frame, conveyor L feed	1	000-135-0496-76	\$235.00
19	210880	Frame, conveyor R feed	1	000-135-0495-72	\$212.00
20	Consult	Bracket, sensor, power	1	000-135-0500-22	\$15.00
21	157850	Guide, pusher, LR	1	000-101-1852-01	\$223.00
22	47159	Knob w/nut, M6	2	000-000-1543-00	\$5.00
25	172505	Spring, coil, compressive	2	000-147-3202-08	\$6.00
26	172506	Motor, DC brushless, infeed drive, kit, M04	1	100-040-0146-00	\$259.00
27	172507	Motor, stepping, centering, M205	1	000-111-8044-12	\$293.00
28	172508	Gear head	1	000-140-7032-05	\$232.00
29	196739	Pin, fulcrum, infeed cleanout cover	5	000-090-0912-09	\$8.00
—	Consult	Bolt, M4 x 5 mm Hex/Philips head SST	—	—	Consult
30	84792	Bearing, radial, deep groove	4	000-051-4933-02	\$15.00
31	47168	Bearing, radial, deep groove	4	000-000-3659-05	\$23.00
32	189124	Guide, chain	1	000-111-8483-05	\$5.00
33	189125	Guide, chain	1	000-111-8484-09	\$5.00
35	Consult	Supporter, rail	1	100-001-6424-00	\$19.00
36	Consult	Supporter, rail	1	100-001-6425-00	\$19.00
37	201691	L plate, B rail	1	000-150-3202-06	\$12.00
38	201692	L plate, B rail	1	000-150-3201-02	\$12.00
40	Consult	Cover, connector, inside	1	000-135-0483-31	\$25.00
41	189126	Knob bolt	2	000-135-2530-02	\$28.00
101	189127	Rail, right	1	000-137-0951-42	\$50.00
102	189128	Rail, left	1	000-137-0952-45	\$50.00
103	185534	Cover, conveyor	1	000-137-0949-52	\$195.00
104	Consult	Cover, harness	1	000-137-0964-23	41.00
105	189129	Cover, lower	1	000-134-8222-38	\$110.00
501	172509	Sensor, centering, B205	1	000-135-0306-16	\$79.00
502	104239	Photo interrupter, infeed pusher, home, white conn., B219	1	000-070-5204-14	\$12.00
503	Consult	Accessory, band, marking tie	1	000-135-2738-00	\$2.00
601	196493	Harness, C4, centering motor, infeed sensor	1	000-135-0399-12	\$20.00
Assembly	200442	Pusher: Infeed: Maintenance Kit: qty-3 pushers-171836, qty-2 chains-171835, qty-12 M3x6-187604, qty-12 M3 nut-188649		100-033-6486-00	\$1,017.00
	—	171836 Pusher, infeed, SST	3	100-004-7481-00	\$220.00
	—	171835 Chain, roller, infeed pusher	2	100-004-7503-00	\$253.00
	—	187604 Hex socket bolt, low head, M3x6, SST	12	000-112-6796-01	\$4.00
	—	188649 Nut, M3, 1.8 mm thick 18-8, SST	12		\$2.00
Assembly	197124	Infeed assembly, complete		000-800-0559-78	\$5,375.00

Ishida WM-Ai

Infeed Unit



PN 197124 Infeed Unit

B205 - Centering Conveyor, Home Position
 B219 - Infeed Pushers, Home Position

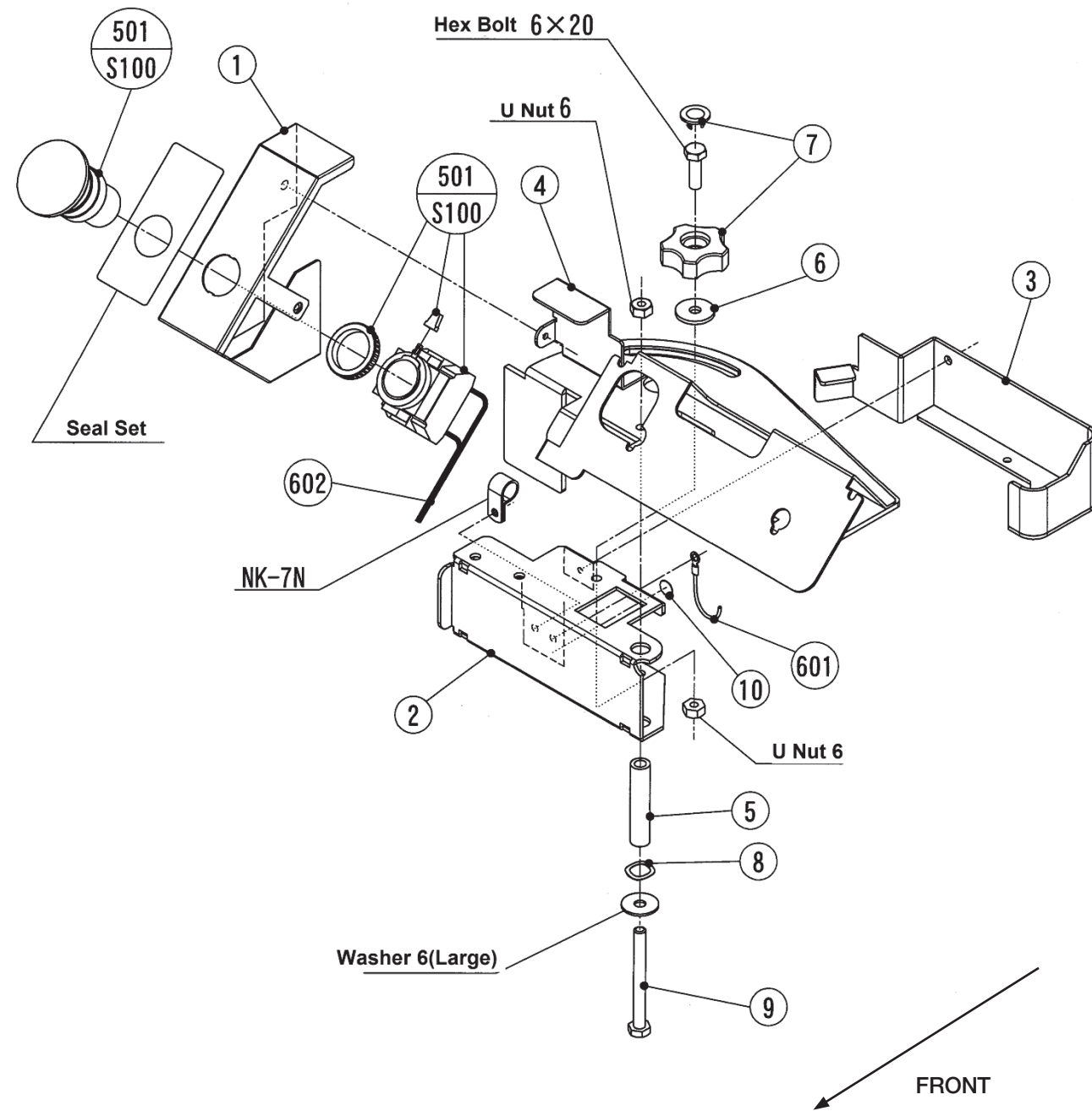
Interface Unit

Part Number/Price

REF #	PART #	DESCRIPTION	QTY	SYNONYM	PRICE
1	Consult	Bracket, switch	1	000-111-8255-30	\$81.00
2	Consult	Bracket, display	1	000-111-8256-42	\$63.00
3	Consult	Cover, harness	1	000-111-8253-41	\$41.00
4	Consult	Bracket, rotation, operation	1	000-137-8047-06	\$91.00
5	Consult	Collar	1	000-111-8252-11	\$22.00
6	Consult	Plate A, round	1	000-069-4614-01	\$3.00
7	47159	Knob, includes nut, M6	1	000-000-1543-00	\$5.00
8	200520	Wave washer, M10 black oxide	1	000-004-7621-08	\$2.00
9	200513	Hex bolt, M6x65 mm SST	1	000-002-2240-00	\$2.00
10	Consult	Name plate	1	000-097-8992-16	\$1.00
501	72899	Switch, push, emergency stop, S100	1	000-064-9296-02	\$74.00
601	Consult	Harness, S2, ground	1	000-138-2230-07	\$5.00
602	210884	Harness, C5 emergency stop (E. Stop sw S100 to X100)	1	000-135-0216-14	\$11.00

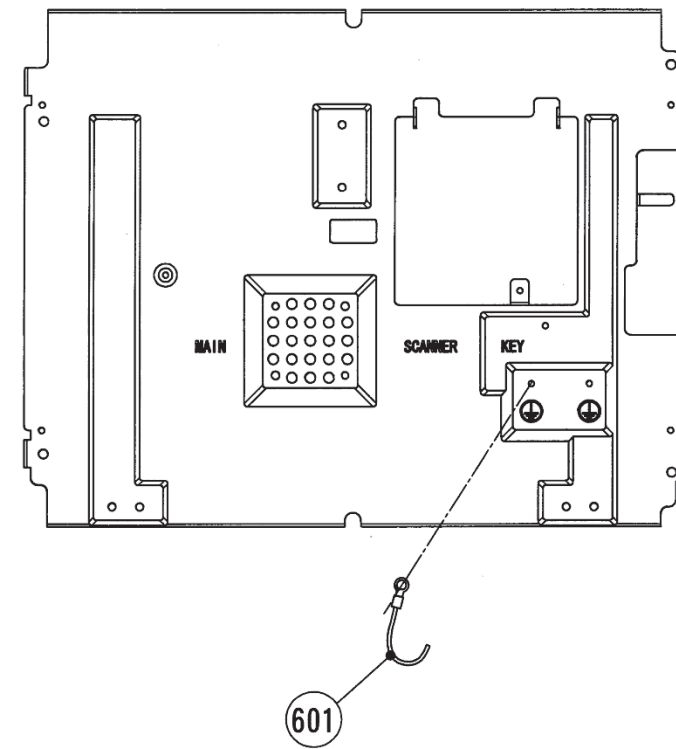
Ishida WM-Ai

Interface Unit



Display Unit

100-000-2465-** Frame:Controller



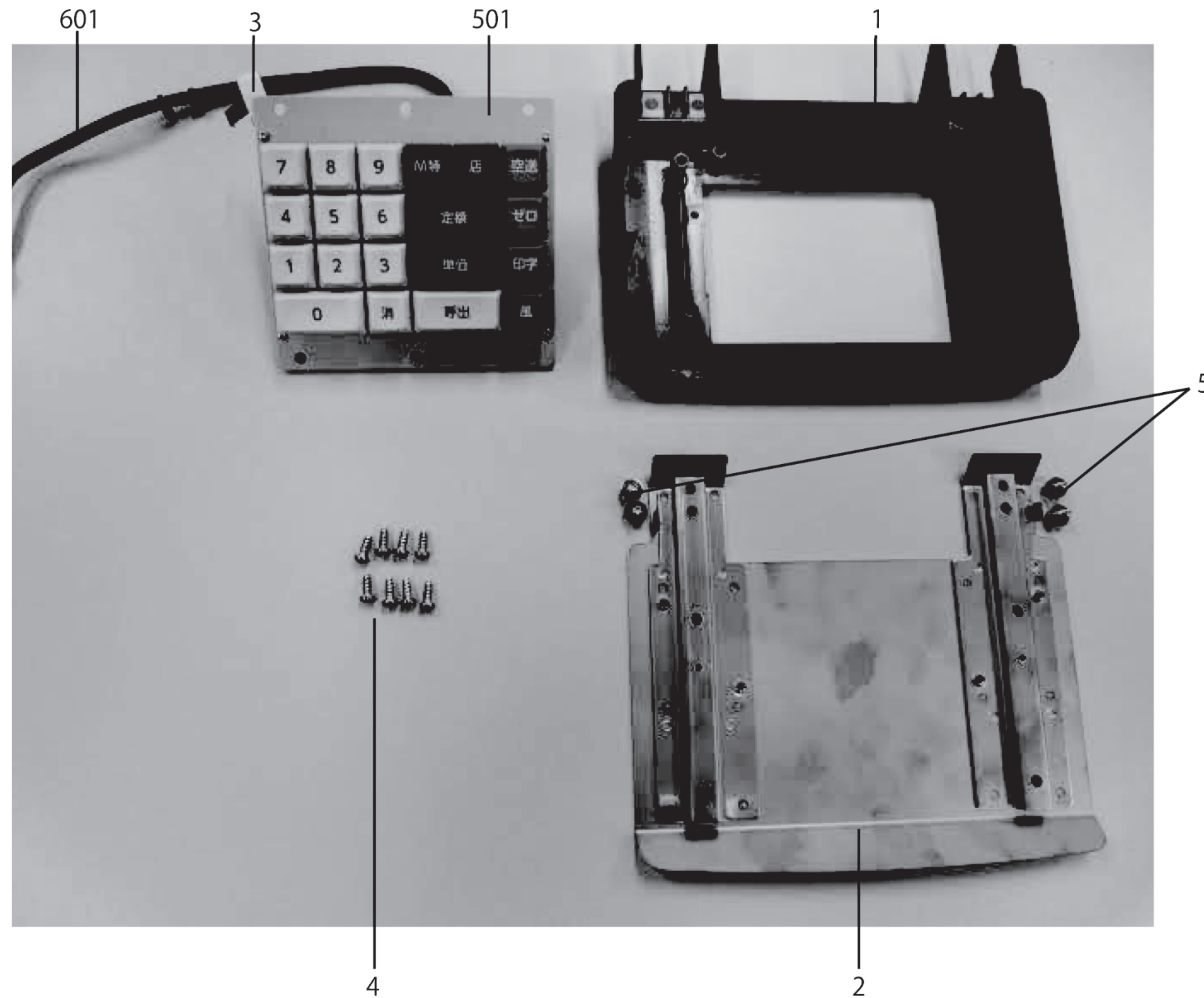
Key Unit

Part Number/Price

REF #	PART #	DESCRIPTION	QTY	SYNONYM	PRICE
1	207061	Case, key, front	1	000-135-4688-04	\$19.00
2	Consult	Key rear assembly	1	000-072-8744-32	\$32.00
3	Consult	Accessory, clamp, code sticker	1	000-002-5711-08	\$1.00
4	189338	Tapping screw, plus pan, P tight, M4x10 mm	8	000-072-8767-01	\$2.00
5	200514	Cross hex, set screw, S2P2, M4x10 mm SST	4	000-014-3997-02	\$2.00
501	171884	Keyboard unit	1	100-001-2013-00	\$190.00
601	189318	Harness, C2, ten key	1	100-002-3216-00	\$13.00
999	98400	Cover, 10-key, clear, adhesive	1	000-092-8430-13	\$66.00

Ishida WM-Ai

Key Unit



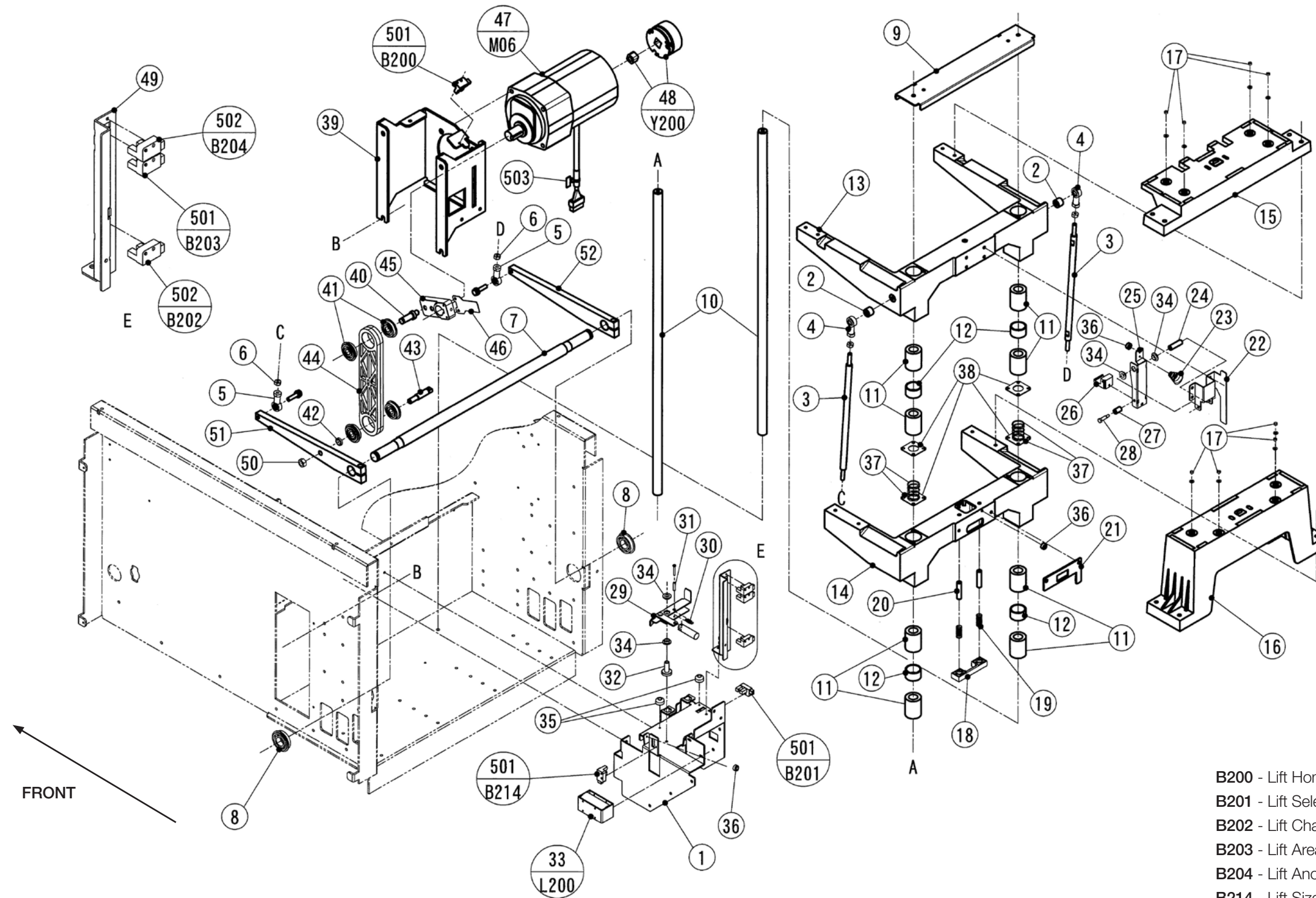
Lift Drive Unit

Part Number/Price

REF #	PART #	DESCRIPTION	QTY	SYNONYM	PRICE
1	Consult	Frame, change over	1	000-135-2501-42	\$85.00
2	Consult	Collar, joint, lift drive	2	000-137-0596-05	\$10.00
3	189101	Threaded rod, turnbuckle	2	000-135-0023-21	\$40.00
4	172319	Rod end, type I, F	2	000-000-3738-06	\$42.00
5	172320	Rod end, type I, F	2	000-004-1447-04	\$22.00
6	189102	Hex nut, T1, left hand thread	2	000-000-0109-02	\$2.00
7	Consult	Shaft, fulcrum, step	1	000-132-2066-36	\$193.00
8	172321	Bearing, radial, deep groove	2	000-028-1567-05	\$15.00
9	Consult	Bracket, shaft, linear	1	000-139-9131-04	\$27.00
10	188730	Shaft, linear, lift	2	000-135-0030-00	\$94.00
11	157900	Bearing, linear bush	8	000-069-4929-04	\$27.00
12	188731	Collar, spacer	4	000-086-7380-17	\$9.00
13	Consult	Stay, drive, front	1	000-135-7294-01	\$162.00
14	Consult	Stay, drive, rear	1	000-112-6592-17	\$162.00
15	196416	Base assembly, lift head front	1	000-112-6593-01	\$72.00
16	196417	Base assembly, lift head rear	1	000-112-6594-05	\$80.00
17	198651	Collar, SST	8	000-112-6872-01	\$2.00
18	Consult	Block B, grip change over	1	000-111-8434-02	\$3.00
19	172318	Spring, coil, compressive	2	000-109-8110-14	\$4.00
20	Consult	Threaded rod, round, FF	2	000-106-6850-18	\$5.00
21	Consult	Plate B, interface, fix	1	000-139-9106-01	\$18.00
22	189103	Bracket, link, change over	1	000-137-0744-00	\$33.00
23	172322	Spring, coil, compressive	1	000-109-8013-25	\$6.00
24	189104	Threaded, rod, round, FF	1	000-106-6857-13	\$5.00
25	189105	U plate B, grip, change over	1	000-112-6616-03	\$10.00
26	189106	Block B, grip, change over	1	000-111-8381-09	\$15.00
27	189107	Collar	1	000-106-6845-28	\$6.00
28	189108	Step screw	1	000-106-6844-33	\$9.00
29	Consult	Link assembly, change over	1	000-133-5570-08	\$48.00
30	172326	Spring, coil, compressive	1	100-007-0942-00	\$9.00
31	189109	Collar, spacer	1	000-111-5657-05	\$2.00
32	Consult	Pin, fulcrum, change	1	000-106-6840-48	\$7.00
33	189110	Solenoid, change, L200	1	000-145-8377-01	\$34.00
34	186769	Bush	4	000-031-9453-01	\$4.00
35	Consult	Rubber pad	2	000-071-4717-02	\$1.00
36	189111	Rubber pad	3	000-039-8056-01	\$2.00
37	172328	Spring assembly, coil, compressive	2	000-086-7395-21	\$34.00
38	211913	Plate A	4	000-109-5556-20	\$5.00
39	Consult	Bracket, motor, drive	1	000-135-0025-29	\$88.00
40	Consult	Pin, crank	1	000-135-0021-06	\$12.00
41	48174	Bearing, radial, deep groove	4	000-004-1478-00	\$14.00
42	189112	Collar, spacer, bearing	1	000-137-0660-01	\$16.00
43	189113	Pin, fulcrum, link	1	000-135-0020-02	\$11.00
44	Consult	Block A, link drive	1	000-135-7306-02	\$27.00
45	Consult	Block B, crank	1	000-135-7386-01	\$37.00
46	189114	Detect plate, crank, lift	1	000-135-0022-00	\$8.00
47	172329	Motor, DC brushless, geared, M06	1	000-135-2936-01	\$908.00
48	172334	Brake assembly, lift, Y200	1	000-135-2613-08	\$110.00
49	189114	Bracket, sensor	1	000-137-8068-13	\$8.00
50	125410	Hex nut, T2, M8-1.25, SST, with nylon lock	1	000-002-2278-01	\$1.00
51	189116	Arm, lift, slit	1	000-135-0024-25	\$91.00
52	189117	Arm, lift, slit	1	000-139-9046-01	\$77.00
501	104239	Photo interrupter, transmitter, white conn., B200, B201, B203, B214	4	000-070-5204-14	\$12.00
502	157856	Photo interrupter, transmitter, black conn., B202, B204	2	000-070-5205-18	\$14.00
503	Consult	Accessory band, marking tie	1	000-135-2731-04	\$2.00

Ishida WM-Ai

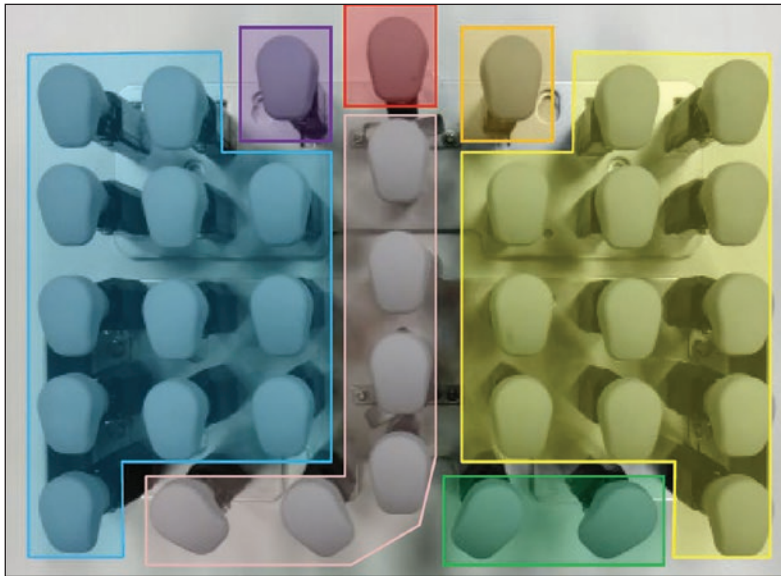
Lift Drive Unit



Lift Head Unit

Part Number/Price

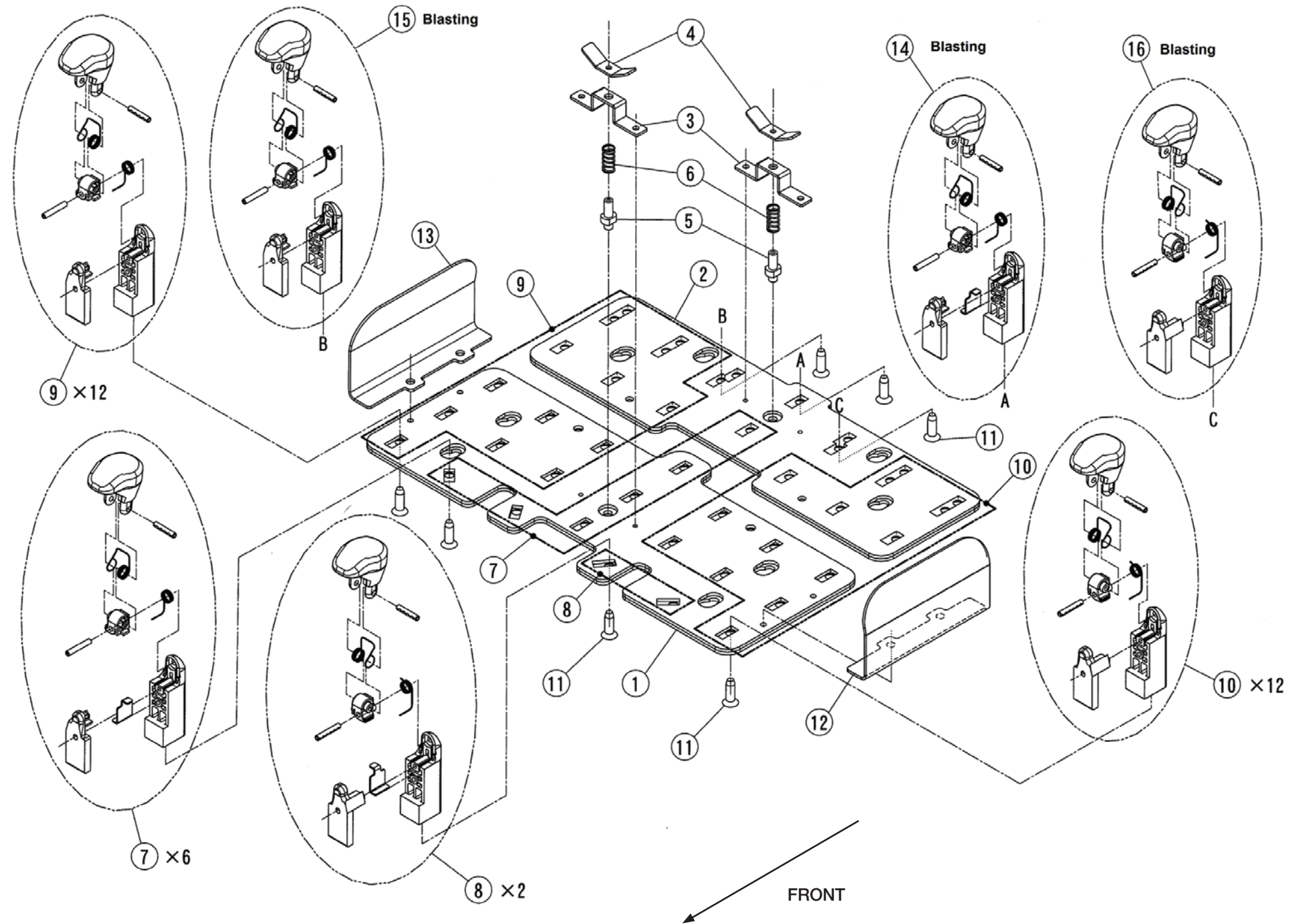
REF #	PART #	DESCRIPTION	QTY	SYNONYM	PRICE
1	191262	Plate B, head, lift F	1	000-149-6850-08	\$116.00
2	191263	Plate B, head, lift R	1	000-112-6650-01	\$91.00
3	157844	Bracket, lift, fix	2	000-116-1863-08	\$15.00
4	157845	Plate, lift, head	2	000-116-1864-01	\$15.00
5	157846	Shaft, lift, fix	2	000-101-1727-09	\$13.00
6	172335	Spring, coil, compressive	2	000-136-3677-07	\$4.00
7	125697	Lift head assembly LF	6	000-112-6761-01	\$32.00
8	171831	Lift head, assembly RF	2	000-112-6762-04	\$32.00
9	125698	Lift head, assembly L	12	000-112-6763-08	\$30.00
10	125699	Lift head, assembly R	12	000-112-6764-01	\$30.00
11	159701	Tapping screw, M4x14, SST, cross flat head	35	000-090-0595-01	\$2.00
12	202267	Guard, film, lift, right	1	000-149-6848-18	\$29.00
13	202268	Guard, film, lift, left	1	000-149-6849-11	\$29.00
14	171832	Lift head assembly, LF blast	1	000-150-7136-08	\$38.00
15	171833	Lift head assembly, L blast	1	000-150-7135-04	\$38.00
16	171834	Lift head assembly, R blast	1	000-150-7134-01	\$38.00
Assembly	203356	Lift head unit assembly, complete		000-149-7000-03	\$1,533.00



*LF 125697 Pink
 RF 171831 Green
 L 125698 Blue
 R 125699 Yellow
 L with Blasting 171833 Purple
 R with Blasting 171834 Orange
 LF with Blasting 171832 Red*

Ishida WM-Ai

Lift Head Unit



ISHIDA WM-AI

Lighting Unit - LED

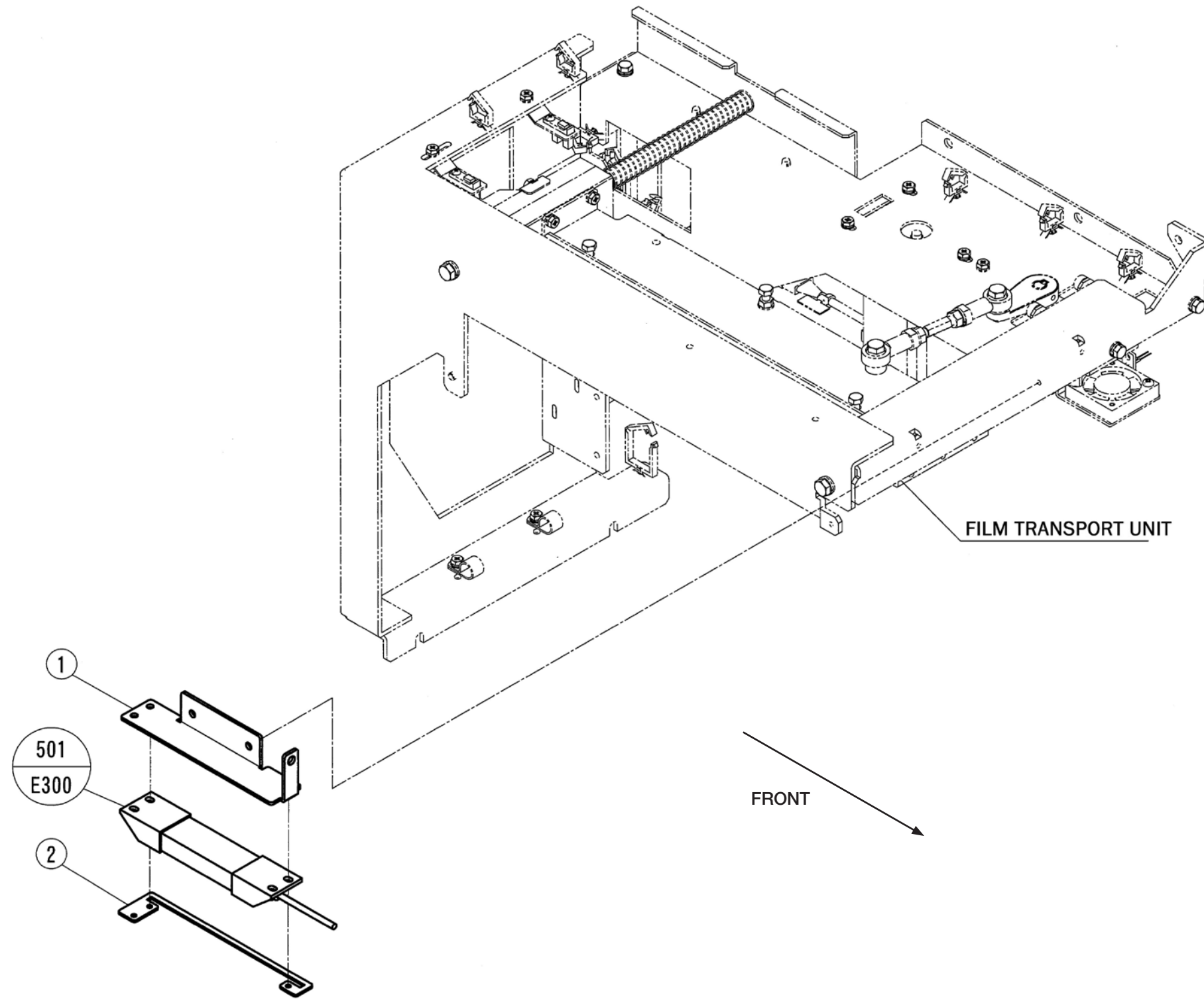
Part Number/Price

REF #	PART #	DESCRIPTION	QTY	SYNONYM	PRICE
1	Consult	Bracket, LED	1	100-004-9072-00	\$66.00
2	Consult	Plate B, nut plate, LED	1	100-004-9075-00	\$35.00
501	178224	LED lamp assembly E300	1	100-001-4291-01	\$232.00
Assembly	192145	LED lamp unit, complete	1	100-009-1606-00	\$354.00

Ishida WM-AI

Ishida WM-Ai

Lighting Unit - LED



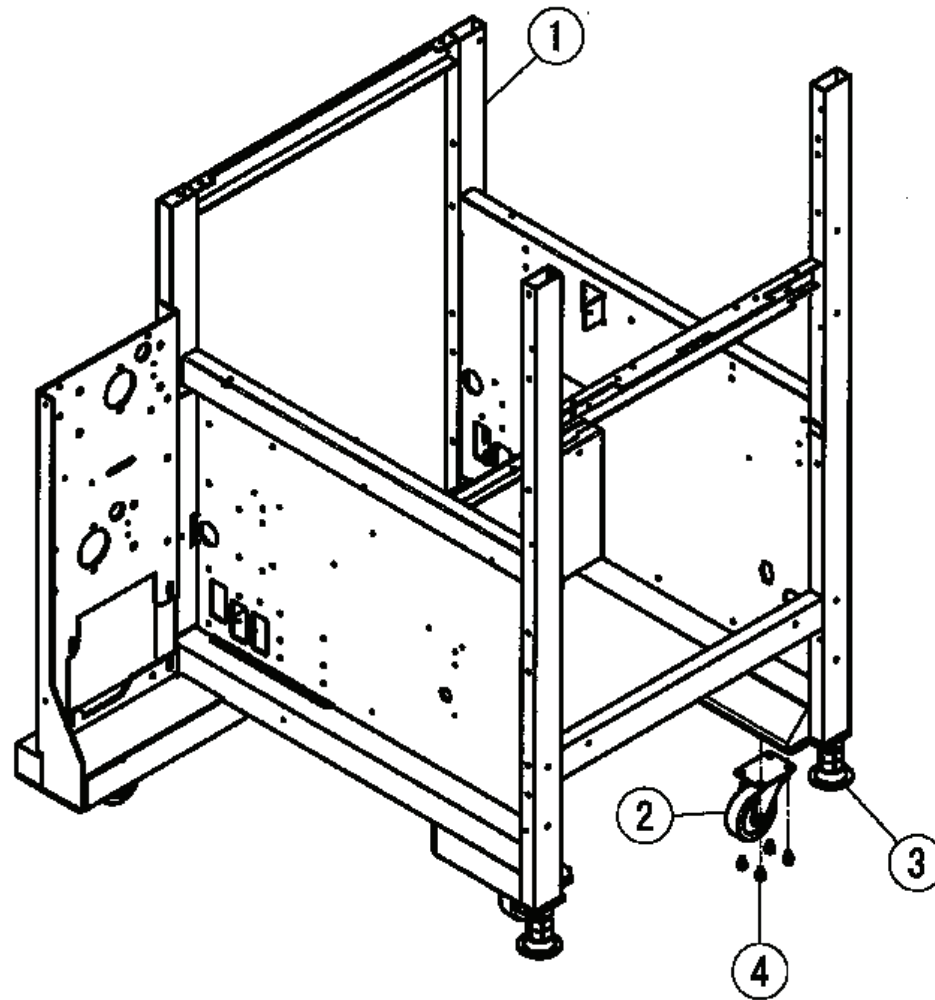
Main Body

Part Number/Price

REF #	PART #	DESCRIPTION	QTY	SYNONYM	PRICE
1	Consult	Frame, main body	1	000-135-2503-67	\$4,722.00
2	205950	Caster, universal	4	000-079-3136-03	\$42.00
3	47246	Jack bolt assembly	4	000-057-0319-04	\$39.00
4	200451	Hex bolt, bolt and washer assembly, M6x12 mm SST	16	000-040-3859-00	\$2.00

Ishida WM-Ai

Main Body



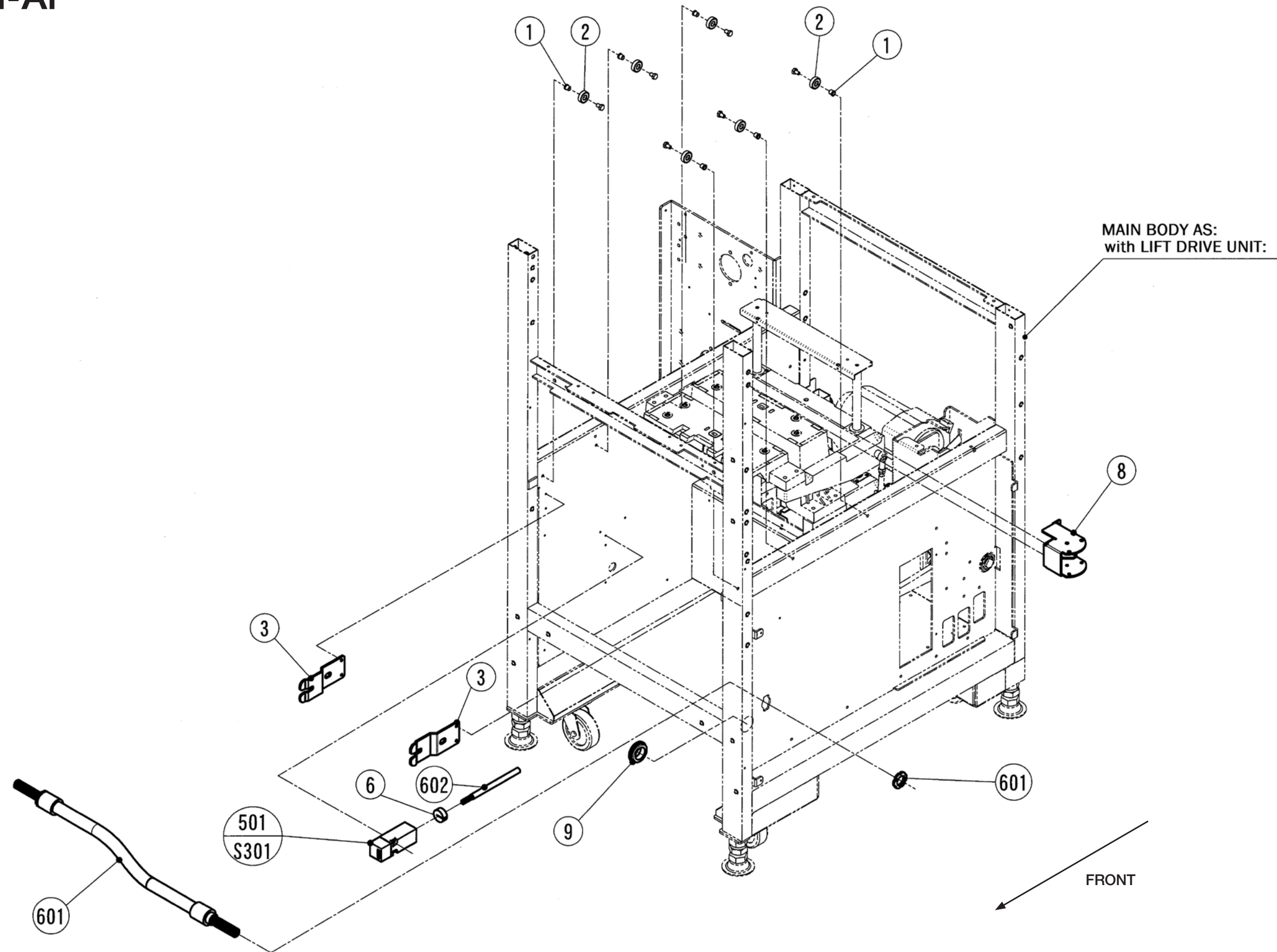
Main Body Unit

Part Number/Price

REF #	PART #	DESCRIPTION	QTY	SYNONYM	PRICE
1	Consult	Collar, step	6	000-131-1646-08	\$3.00
2	47165	Bearing, radial	6	000-000-3610-03	\$8.00
3	Consult	Bracket, infeed	2	000-135-0134-21	\$10.00
6	Consult	Cap, harness, switch	1	000-091-0707-09	\$2.00
8	Consult	Bracket, arm	1	000-135-0029-14	\$41.00
9	Consult	Grommet with diaphragm	1	000-006-7008-09	\$2.00
501	157866	Switch, safety, infeed, S301	1	000-111-8428-00	\$92.00
601	176681	Harness, C11, infeed, X41P to X40R (to: M04 infeed, A40 scale A/D, M205 centering, B205 centering, B219 infeed pusher home position)	1	000-135-0125-39	\$248.00
602	203248	Harness, C5 SW (S301 to X301)	1	000-135-0403-23	\$11.00

Ishida WM-Ai

Main Body Unit



Maintenance Kit

Part Number/Price

REF #	PART #	DESCRIPTION	QTY	SYNONYM	PRICE
1	Consult	Brush, cleaning	1	000-073-7244-03	\$5.00
2	44222	Cleaner, thermal head	1	000-008-5944-02	\$14.00
3	Consult	Pack, uni pack	1	000-025-6184-09	\$1.00
6	Consult	Weight, cylinder, 200 g	1	000-042-0371-12	\$30.00
8	98400	Cover, 10-key, clear, adhesive	1	000-092-8430-13	\$66.00
9	Consult	Wire	2	000-149-6972-08	\$74.00
10	Consult	Wire	1	000-149-6973-01	\$68.00
11	Consult	Accessory, bush, skin top	1	000-002-5552-02	\$8.00
12	Consult	Accessory, lock nut	1	000-053-1582-02	\$3.00
999	77932	Grease, general purpose lithium, amber, Shell GadusS2 V100 2, 14 oz tube		—	\$21.00
999	77933	Grease, food grade, white aluminum food, CRC SL35600, 14 oz tube		—	\$44.00
999	77934	Grease, multi-purpose, black, Moly-Graph, Sta-Lube SL3330, 14 oz tube		—	\$24.00
999	95540	Service key, door safety interlock bypass (for service support)	3	113-7072-09	\$38.00
999	176133	Harness, C2 Film Feeder Extension Cable (for service support)	2	100-009-6119-00	\$135.00



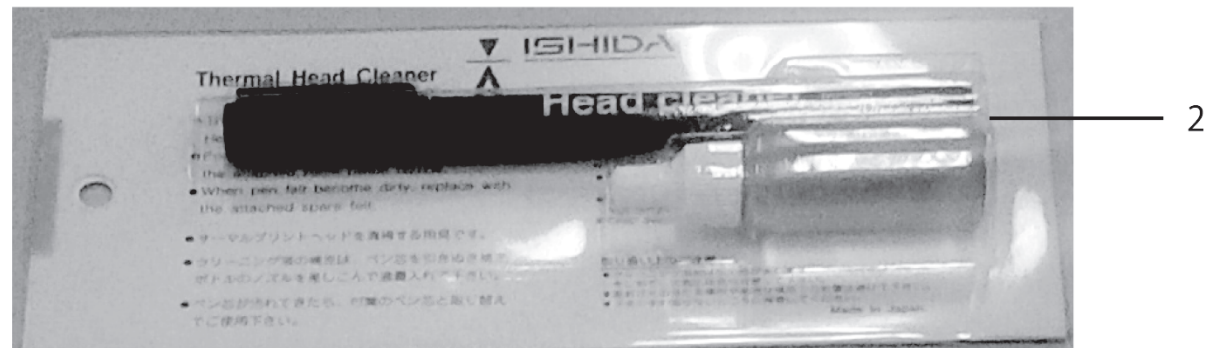
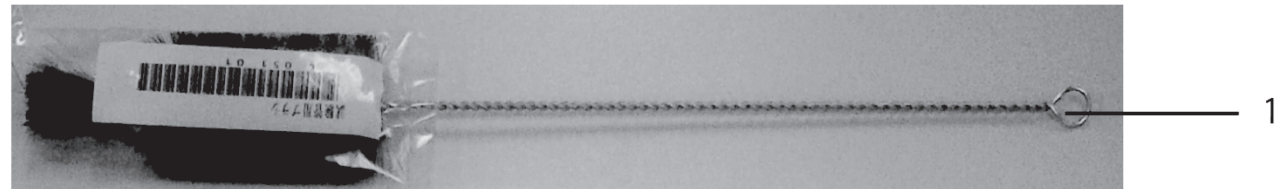
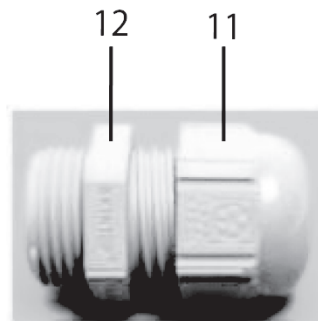
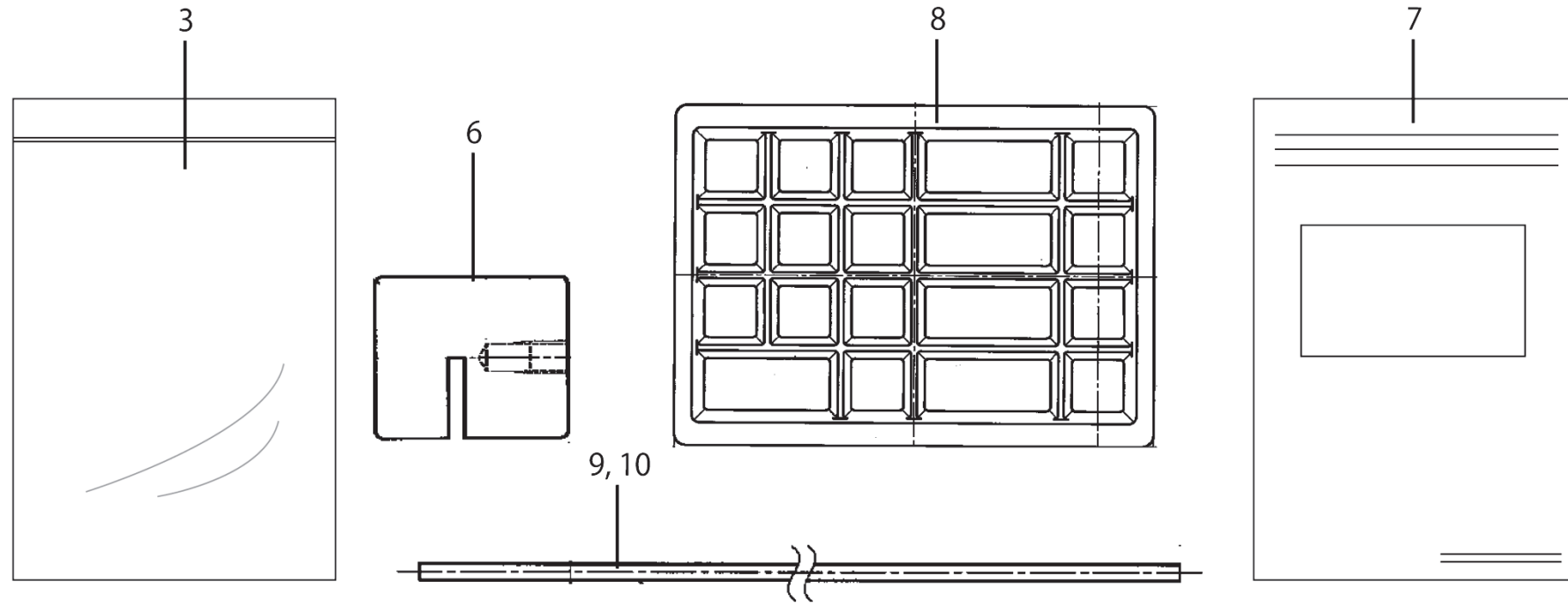
PN 95540



PN 176133

Ishida WM-Ai

Maintenance Kit



Rear Wrap Unit

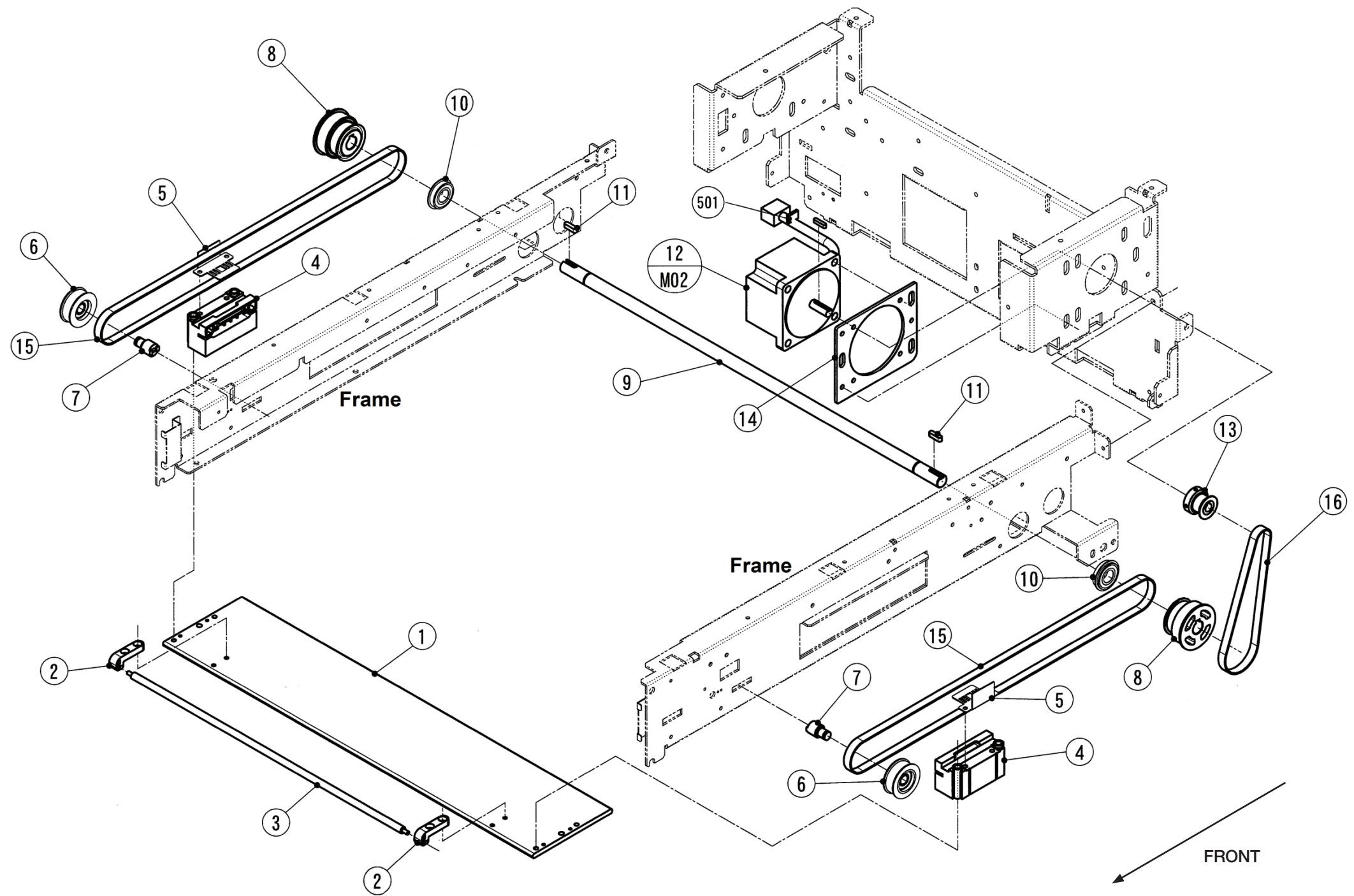
Part Number/Price

REF #	PART #	DESCRIPTION	QTY	SYNONYM	PRICE
1	Consult	Plate A, rear wrap	1	000-136-3746-10	\$94.00
2	172528	Holder, shaft	2	000-135-7081-05	\$3.00
3	172529	Shaft, step, rear wrap	1	000-133-8305-09	\$72.00
4	172530	Block B, slide, rear wrap	2	000-111-8460-19	\$14.00
5	189209	L plate B, holder belt	2	000-133-8310-07	\$20.00
6	172516	Timing pulley, S5M, AF	2	000-111-8392-00	\$12.00
7	189210	Shaft, tension	2	000-133-8257-02	\$11.00
8	172531	Timing pulley, S5M	2	000-135-7307-06	\$37.00
9	Consult	Shaft, drive, rear wrap	1	000-133-8259-19	\$77.00
10	106115	Bearing radial, deep groove	2	000-030-6366-02	\$14.00
11	189211	Key, parallel, both ends round	2	000-005-3753-09	\$4.00
12	172518	Motor, DC brushless, round, M02	1	000-135-2940-06	\$272.00
13	172519	Timing pulley, S5M	1	000-135-7387-04	\$16.00
14	Consult	Bracket, motor, DCB	1	000-133-8299-36	\$15.00
15	172532	Timing belt, S5M	2	000-133-8309-02	\$22.00
16	172533	Timing belt, HPS5M	1	000-131-1761-03	\$16.00
501	Consult	Accessory, band, marking tie	1	000-135-2733-01	\$2.00

See [WM-Ai Wrapping Frame Unit on page 156](#); item 503 for home position sensor B102

Ishida WM-Ai

Rear Wrap Unit



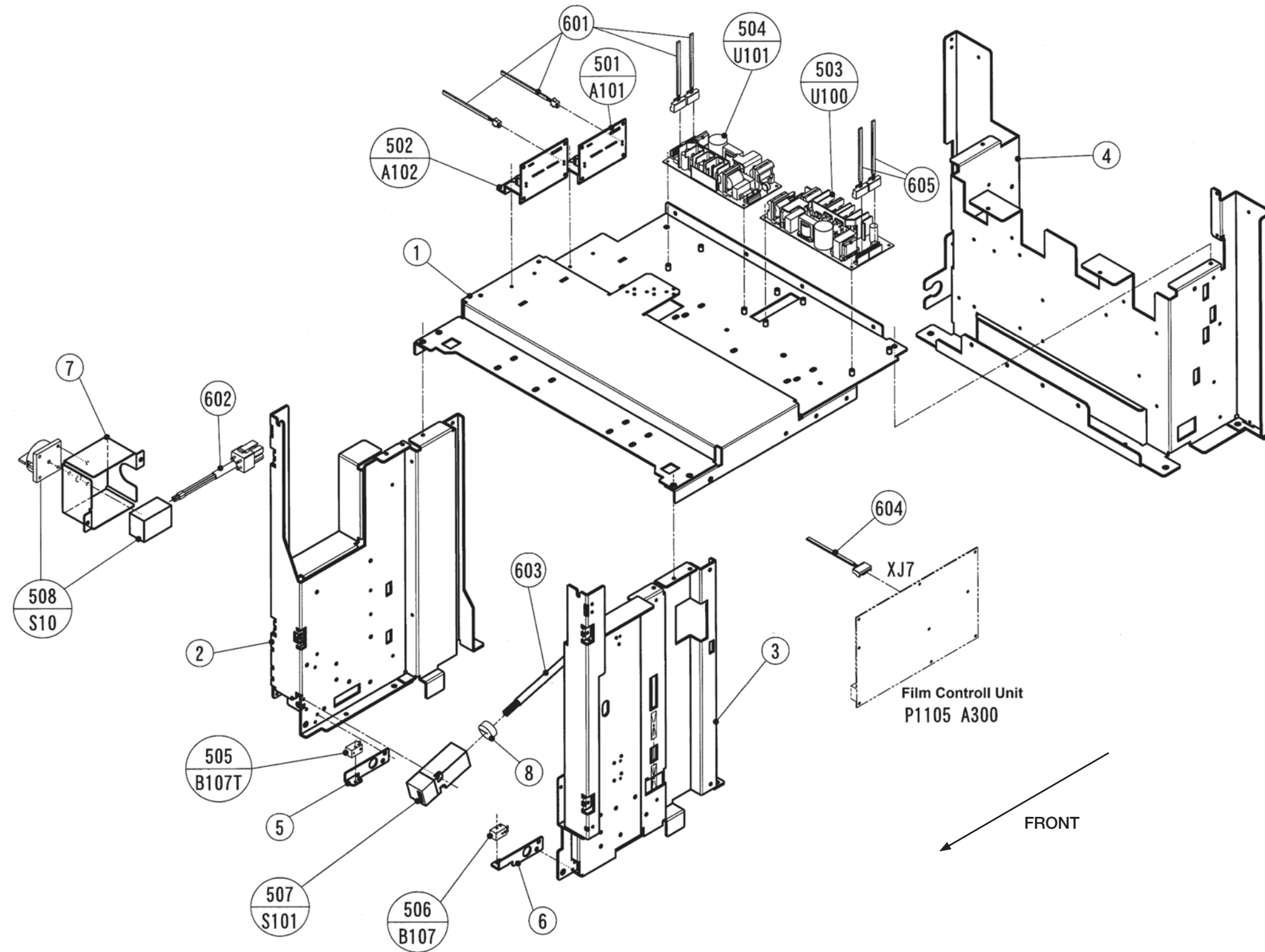
Printer Frame Unit

Part Number/Price

REF #	PART #	DESCRIPTION	QTY	SYNONYM	PRICE
1	Consult	Base, printer, top plate	1	000-135-0028-67	\$162.00
2	Consult	Frame, applicator base, L	1	000-135-0026-50	\$259.00
3	Consult	Frame, applicator base, R	1	000-135-2650-62	\$189.00
4	Consult	Frame, applicator, rear	1	000-133-8319-37	\$165.00
5	Consult	Bracket, sensor, safety	1	000-139-9302-31	\$10.00
6	Consult	Bracket, sensor, safety	1	000-139-9301-38	\$10.00
7	Consult	Bracket, power, SW	1	000-135-0034-13	\$16.00
8	Consult	Cap, harness, switch	1	000-091-0707-09	\$2.00
501	171859	PWB, P-1006, C-5, applicator front/back (Y-axis) and rotation (O-axis), A101	1	000-139-9340-06	\$200.00
502	171860	PWB, P-1006, C-6, applicator right/left (X-axis) and up/down (Z-axis), A102	1	000-139-9341-00	\$223.00
503	171861	Power, supply, switching, U100, LFP240F-24-J1Y	1	000-148-4467-09	\$270.00
504	171862	Power, supply, switching, U101, LFP150F-24-J1Y	1	000-148-4466-05	\$130.00
505	125711	Photo interrupter, sensor, transmitter, B107T	1	000-112-9768-07	\$11.00
506	125712	Photo interrupter, sensor, receiver, B107	1	000-112-9769-01	\$27.00
507	157866	Switch, safety, printer door, S101	1	000-111-8428-00	\$92.00
508	125717	Switch, rotary, main power on/off, S10	1	000-134-8366-02	\$59.00
601	189287	Harness, C4, power DC (U101 CN2, CN3 to A101 XJ1, A102 XJ1)	1	000-148-4469-06	\$12.00
602	189288	Harness, C5, power SW (S10 to X109)	1	000-137-8216-27	\$25.00
604	189289	Harness, C3, sensor (A300 XJ7 to X101, X208)	1	000-148-4472-17	\$20.00
605	189290	Harness, C5, power DC (U100 CN2, CN3 to X205, X206)	1	000-148-4470-01	\$25.00

Ishida WM-Ai

Printer Frame Unit



B107 - Applicator safety, receiver
 B107T - Applicator safety, emitter

Printer Unit

Part Number/Price

REF #	PART #	DESCRIPTION	QTY	SYNONYM	PRICE
1	187431	Shaft, step type	2	000-150-3084-03	\$62.00
2	157891	Roller, blue, label, hold assembly	11	000-079-8591-03	\$4.00
3	Consult	Frame, hold, lon	1	100-000-1117-01	\$32.00
4	157916	Collar	6	000-091-8682-18	\$5.00
5	157917	Collar	38	000-077-4891-20	\$5.00
6	Consult	Frame, hold	1	000-078-0812-19	\$9.00
7	187432	Shaft, stock	1	000-136-3566-07	\$9.00
8	Consult	Bracket, sensor, R	1	000-078-0813-03	\$4.00
9	Consult	Bracket, sensor, L	1	000-078-0816-04	\$3.00
10	187433	Shaft, roller, assist	2	000-044-3821-17	\$9.00
11	110525	Roller, assist	1	000-060-8956-04	\$37.00
12	195784	Plate A, holder	1	000-136-3565-03	\$5.00
13	195782	Bracket, assist printer	2	000-078-0818-01	\$4.00
14	187438	Collar, spacer	4	000-059-4384-06	\$2.00
15	187439	Spring, coil, compressive	4	000-086-7397-10	\$2.00
16	Consult	Bracket, assist, upper	1	000-078-0820-19	\$5.00
17	187440	Spring, coil	1	000-078-0821-12	\$6.00
18	187441	L plate A	1	000-078-0822-07	\$3.00
19	187444	L plate A, press	1	000-078-0823-01	\$3.00
20	187445	Collar, spacer	1	000-027-6196-08	\$2.00
21	187446	Spring, coil, compressive	4	000-072-5278-14	\$5.00
22	187447	Roller, assist	1	000-069-4967-06	\$20.00
23	187448	Spring, plate	1	000-075-5774-08	\$12.00
24	187449	Guide, printer, cassette	1	000-075-5709-14	\$12.00
25	187366	Roller, pole	1	000-011-0853-07	\$8.00
26	187450	Collar, step	1	000-076-7629-05	\$15.00
27	187451	Shaft, guide, label	1	000-136-3568-04	\$13.00
28	187452	Guide, label	1	000-078-0987-17	\$8.00
29	187453	Guide, label	2	000-068-5048-46	\$9.00
31	178189	Shaft, label	2	000-136-3569-08	\$13.00
32	187454	Roller, guide	1	000-078-0991-03	\$4.00
33	172640	Motor assembly, stepping, M10	1	000-111-5669-19	\$84.00
34	Consult	Bracket, motor	1	000-135-2562-11	\$18.00
35	187455	Gear, flat	1	000-135-7394-01	\$22.00
36	172641	Rail, slide	2	000-086-7470-19	\$42.00
37	172642	Catch, magnet	1	000-079-1224-01	\$15.00
38	187456	Collar, label	4	000-079-8952-04	\$3.00
39	200872	Bracket, plate, R	1	000-112-9515-11	\$31.00
40	187457	Timing pulley, S3M, C	2	000-073-7220-04	\$24.00
41	125887	Timing belt, CP-S3M	1	000-139-2517-02	\$15.00
42	171873	Platen roller, print	2	000-086-7371-13	\$88.00
43	Consult	Cover, belt	1	000-078-0830-43	\$6.00
44	187458	Shaft, peel	1	000-090-5345-05	\$17.00
45	187459	Shaft, idler	1	000-078-0831-10	\$9.00
46	206148	Bracket plate L-Assembly	1	000-112-9538-07	\$62.00
47	187460	Shaft, stock	1	000-070-9862-47	\$10.00
48	187461	Timing pulley, S3M, AF	1	000-135-7395-13	\$41.00
49	93355	Bush	4	000-064-0201-24	\$5.00
50	187462	Bush	1	000-075-1324-01	\$5.00
51	187463	Bush	1	000-075-1325-04	\$5.00
52	172643	Bearing, radial, idler shaft	2	000-065-6920-00	\$4.00
53	Consult	Frame, printer	1	000-135-2561-62	\$211.00
54	171874	Winding assembly, includes drive belt	1	000-143-5342-04	\$110.00
55	Consult	Cover, front	1	000-136-3984-02	\$26.00
56	172652	Spring, coil, compressive	1	000-079-1005-20	\$6.00

Printer Unit

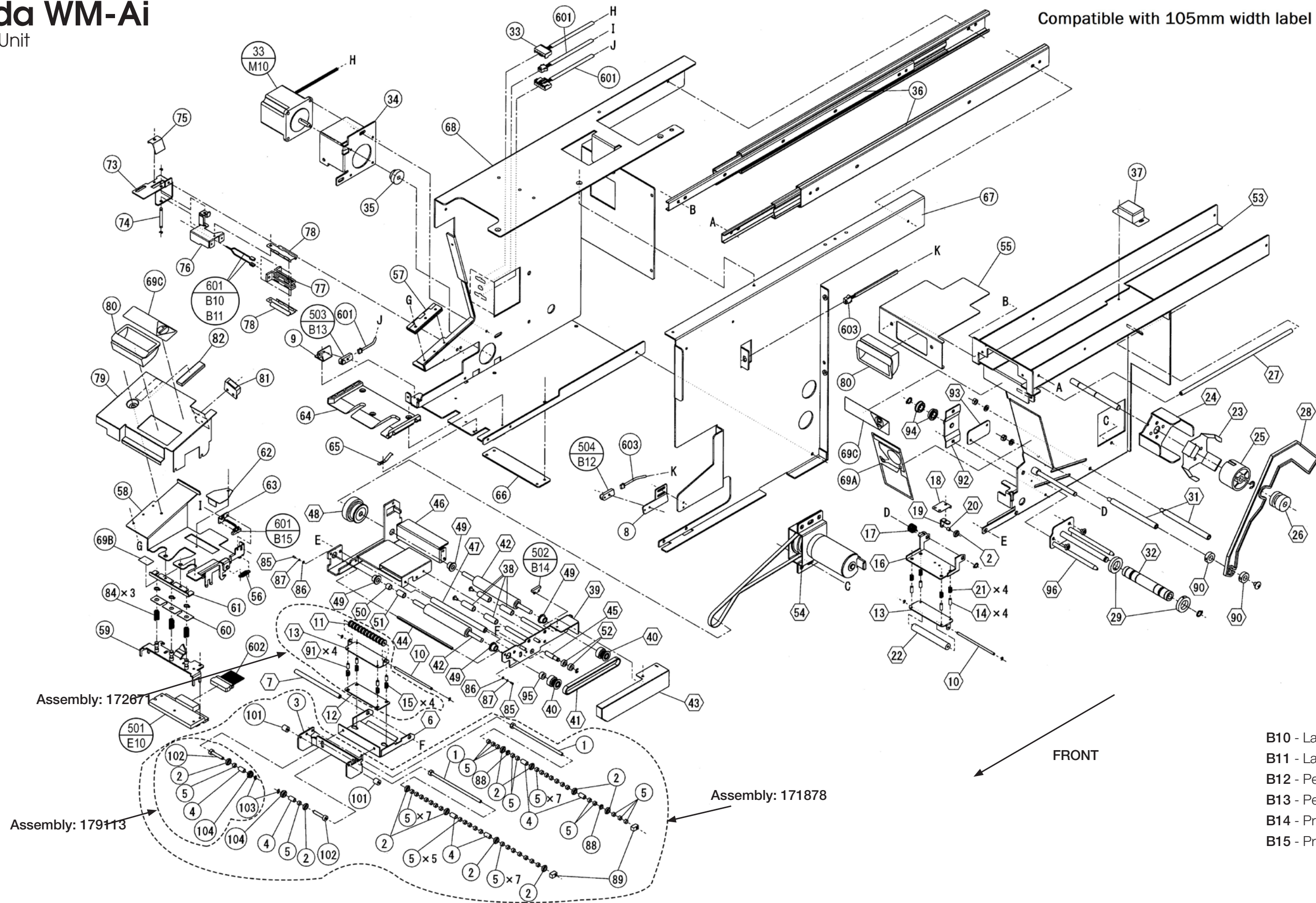
Part Number/Price

REF #	PART #	DESCRIPTION	QTY	SYNONYM	PRICE
57	Consult	Hinge	1	000-013-9941-09	\$23.00
—	Consult	Screw, counter sink, M3x8	6		Consult
58	172662	Bracket assembly, printer	1	000-138-5901-03	\$32.00
59	Consult	Bracket, printer, thermal	1	000-112-9535-06	\$22.00
60	187464	L plate A, spring support	1	000-078-0994-04	\$4.00
61	187465	Stay, head, thermal	1	000-078-0993-29	\$4.00
62	187466	Plate B, press head	1	000-078-0992-16	\$6.00
63	187467	Bracket, switch head	1	000-136-3564-00	\$5.00
64	205052	Guide, printer lower	1	000-078-0986-04	\$8.00
65	187468	Crank plate A, spring	1	000-091-2164-04	\$4.00
66	Consult	Bracket, printer	1	000-136-3563-06	\$11.00
67	Consult	Frame, printer, R	1	000-137-0968-16	\$132.00
68	Consult	Frame, printer, L	1	000-135-2560-71	\$197.00
69	Consult	Decal set, printer	1	100-001-4718-01	\$200.00
73	195827	Bracket, printer sensor	1	000-136-3986-26	\$38.00
74	187469	Shaft	1	000-137-0514-00	\$5.00
75	167125	Spring, plate	1	000-079-1227-01	\$10.00
76	195828	Bracket, sensor	1	000-135-4822-43	\$34.00
77	167127	Holder, sensor	1	000-076-1988-01	\$3.00
78	167128	Cover, sensor	2	000-078-0984-16	\$6.00
79	Consult	Cover, head	1	000-139-2504-04	\$27.00
80	193560	Lug	2	000-073-5832-06	\$5.00
81	159595	Catch, magnet	1	000-072-8605-01	\$5.00
82	Consult	Gasket	1	000-065-1825-01	\$3.00
84	172667	Spring, coil, compressive	3	000-072-8616-01	\$5.00
85	187470	Screw, cross pan head, M1.7x6 mm SST	2	000-090-5431-02	\$2.00
86	187471	Plain washer, M1.7 SST	2	000-090-5432-06	\$2.00
87	187472	Spring washer, M1.7 SST	2	000-090-5433-00	\$2.00
88	187473	Collar, B	2	000-079-8972-09	\$12.00
89	187474	Block A, assist	2	000-091-8679-07	\$9.00
90	187475	Collar A	2	000-095-9235-00	\$16.00
91	187476	Collar spacer	4	000-113-7378-08	\$2.00
92	Consult	Bracket, pulley, tension	1	000-137-0519-17	\$7.00
93	Consult	Plate A, label guide	1	000-148-4354-01	\$4.00
94	172635	Bearing radial, label shaft	2	000-000-3727-05	\$14.00
95	187477	Bush	1	000-075-1321-00	\$5.00
96	Consult	Guide assembly, label	1	000-148-4353-10	\$59.00
101	187478	Collar	2	000-149-6798-06	\$79.00
102	186558	Shaft, step, short	2	000-149-6797-02	\$116.00
103	178225	C ring, for shaft, 3 mm ID	2	000-014-8693-09	\$2.00
104	178190	Roller, label	2	100-012-1219-00	\$15.00
501	171875	Print head, thermal, E10	1	100-010-2669-00	\$426.00
502	105979	Magnet, green, head up proximity switch, B14	1	000-067-2609-01	\$17.00
—	189088	Screw, mount, Phillips pan head, M2x4 SST	4	000-000-0067-00	\$2.00
503	171876	Photo interrupter trans, peel sensor, left, B13	1	000-112-1169-16	\$17.00
504	171877	Photo interrupter, trans, receive, peel sensor, right, B12	1	000-112-1170-11	\$16.00
601	172669	Sensor assembly, label gap and head up, B10, B11, B15	1	100-002-3523-01	\$139.00
—	189088	Screw, mount, Cross-Head, M2x4, SST	2	—	\$2.00
602	172670	Harness, C2, thermal head (A10 XJ17 to E10 print head)	1	000-135-0319-23	\$123.00
603	182821	Harness, C2, sensor (B12 to X11)	1	100-002-3521-00	\$29.00
Assembly	171878	Stand by roller unit	1	100-006-8837-00	\$571.00
Assembly	172671	Roller assembly, assist		000-131-7350-08	\$41.00
Assembly	179113	Roller, stand by, short, assembly (includes 2, 4, 5, 102, 103, 104)	2	100-006-8837-00	\$84.00

Ishida WM-Ai

Printer Unit

Compatible with 105mm width label



- B10 - Label gap sensor, emitter
- B11 - Label gap sensor, receiver
- B12 - Peel sensor, receiver
- B13 - Peel sensor, emitter
- B14 - Print head up magnet
- B15 - Print head up sensor

Printer Unit - POP

Part Number/Price

REF #	PART #	DESCRIPTION	QTY	SYNONYM	PRICE
1	199806	Shaft, step	1	100-012-0773-00	\$50.00
2	157891	Roller, label, hold assembly	6	000-079-8591-03	\$4.00
3	178216	Frame	1	100-011-0226-01	\$67.00
4	157916	Collar	4	000-091-8682-18	\$5.00
5	157917	Collar	7	000-077-4891-21	\$5.00
6	187432	Shaft, stock	1	000-136-3566-07	\$9.00
7	Consult	Bracket, sensor, peel R	1	000-116-1722-24	\$13.00
8	Consult	Bracket, sensor, peel L	1	000-116-1723-37	\$17.00
9	187433	Shaft, roller	2	000-044-3821-17	\$9.00
10	110525	Roller	1	000-060-8956-04	\$37.00
11	195783	Plate A, holder	1	000-136-3565-03	\$6.00
12	195782	Bracket, assist	2	000-078-0818-01	\$4.00
13	187438	Collar, spacer	4	000-059-4384-06	\$2.00
14	187439	Spring, coil, compressive	4	000-086-7397-10	\$2.00
15	Consult	Shaft, assist	1	000-136-3567-01	\$77.00
16	Consult	Bracket, assist, upper	1	100-012-2455-00	\$52.00
17	Consult	Spring, coil, twisted	1	100-008-3581-00	\$36.00
18	187446	Spring, coil, compressive	4	000-072-5278-14	\$5.00
19	187447	Roller, assist	1	000-069-4967-06	\$20.00
20	Consult	Shaft, label, back paper	1	100-007-9604-00	\$37.00
21	Consult	Guide, label	1	100-007-8412-00	\$59.00
22	Consult	Gear, flat	1	000-076-1780-03	\$7.00
23	172640	Motor assembly stepping, M410	1	000-111-5669-19	\$84.00
24	Consult	Bracket, motor	1	100-009-1732-00	\$36.00
25	178217	Motor assembly reel, M411	1	000-072-5467-22	\$103.00
26	153086	Gear, flat	1	000-047-0630-04	\$9.00
27	Consult	Bracket, motor, DC	1	100-009-1726-00	\$28.00
28	Consult	Bracket, press, label	1	000-116-1721-49	\$16.00
29	Consult	Bracket, PR roller, L	1	100-012-0496-00	\$200.00
30	187457	Timing pulley, S3M, C	2	000-073-7220-04	\$24.00
31	125887	Timing belt, CP-S3M	1	000-139-2517-02	\$15.00
32	178218	Platen, roller, print	2	000-116-1736-26	\$85.00
33	Consult	Frame, print	1	000-116-1716-31	\$20.00
34	178219	Shaft assembly peeling	1	100-012-2633-00	\$116.00
35	187459	Shaft, idler	1	000-078-0831-10	\$9.00
36	Consult	Bracket, platen, R	1	000-116-1728-35	\$77.00
37	187460	Shaft, stock	1	000-070-9862-47	\$10.00
38	Consult	Gear, flat	1	000-112-6672-02	\$8.00
39	93355	Bush	4	000-064-0201-24	\$5.00
40	187462	Bush	1	000-075-1324-01	\$5.00
41	187463	Bush	1	000-075-1325-04	\$5.00
42	187477	Bush	1	000-075-1321-00	\$5.00
43	172643	Bearing, radial	2	000-065-6920-00	\$4.00
44	Consult	Frame, printer, POP	1	100-011-0477-01	\$350.00
45	178220	Winding unit assembly	1	100-011-7204-00	\$108.00
46	Consult	Spring, coil, compressive	1	000-116-1745-11	\$25.00
47	Consult	Hinge	1	000-013-9941-09	\$23.00
—	Consult	Screw, counter sink, M3x8	6	—	Consult
48	Consult	Bracket assembly printer	1	100-009-1602-00	\$132.00
49	Consult	Bracket, printer, thermal	1	000-116-1730-24	\$83.00
50	187464	L plate A, spring, support	1	000-078-0994-04	\$4.00
51	187465	Stay, head, thermal	1	000-078-0993-29	\$4.00
52	187466	Plate B, press, head	1	000-078-0992-16	\$6.00
53	Consult	Bracket, sensor, head up	1	000-116-1733-34	\$16.00
54	Consult	Frame, printer, platform	1	100-010-7129-01	\$311.00
55	198653	Bracket, label, sensor	1	100-011-1527-01	\$113.00
56	198654	Cover, label, sensor	1	100-009-1724-00	\$10.00

Printer Unit - POP

Part Number/Price

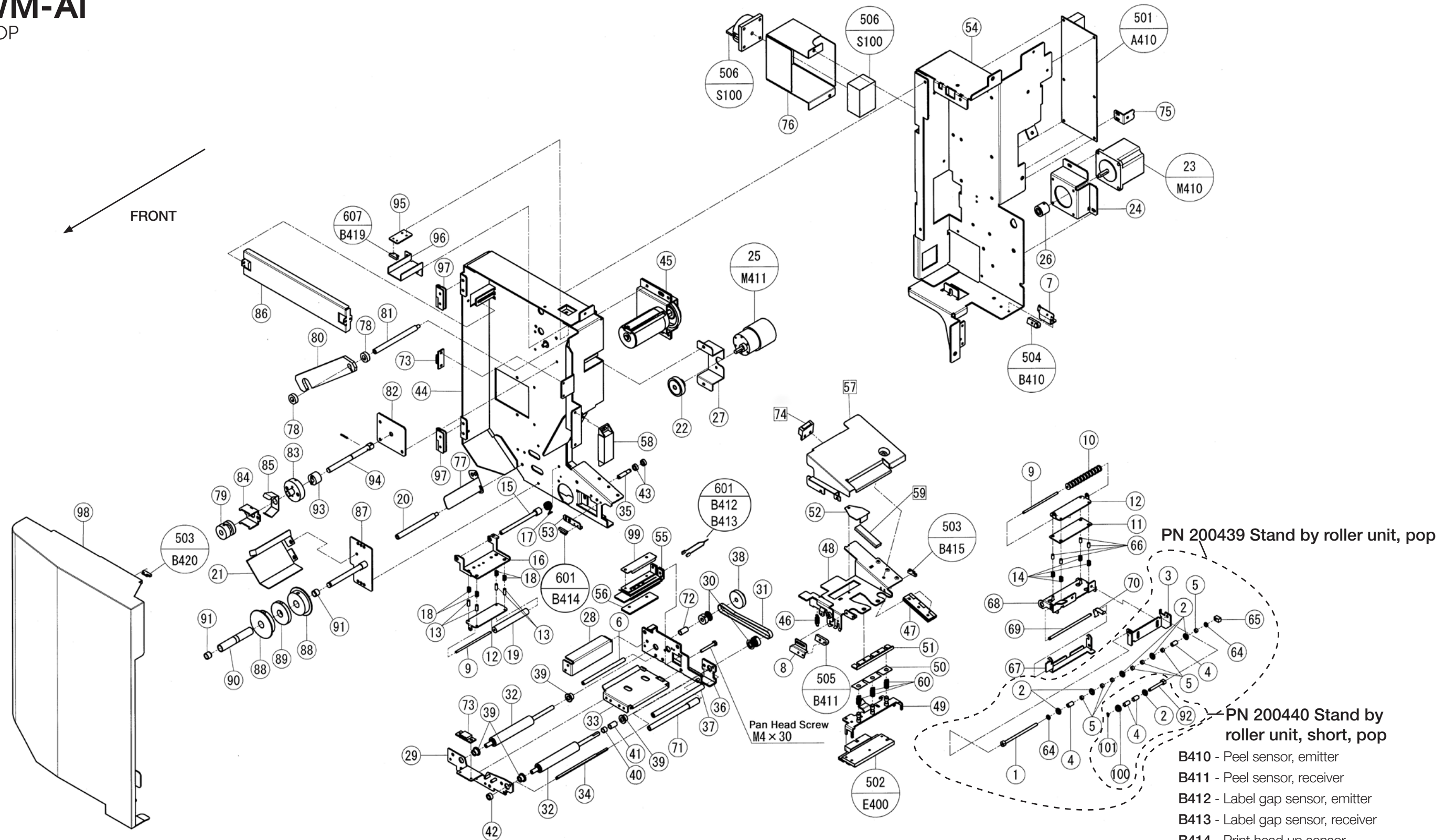
REF #	PART #	DESCRIPTION	QTY	SYNONYM	PRICE
57	Consult	Cover, head	1	000-116-1739-45	\$80.00
58	Consult	Catch, magnet	1	000-088-8332-07	\$37.00
59	Consult	Gasket	1	000-065-1825-01	\$3.00
60	172667	Spring, coil, compressive	3	000-072-8616-01	\$5.00
61	187470	Screw, cross pan head, M1.7x6 mm SST	2	000-090-5431-02	\$2.00
62	187471	Plain washer, M1.7 SST	2	000-090-5432-06	\$2.00
63	187472	Spring washer, M1.7 SST	2	000-090-5433-00	\$2.00
64	187473	Collar B	2	000-079-8972-09	\$12.00
65	187474	Block A, assist	1	000-091-8679-07	\$9.00
66	187476	Collar, spacer	4	000-113-7378-08	\$2.00
67	Consult	Lever, assist, under	1	100-009-1092-01	\$59.00
68	Consult	Bracket, assist, under	1	100-009-1091-00	\$63.00
69	Consult	Shaft, lever, assist	1	000-116-1719-13	\$16.00
70	Consult	Spring, plate, lever	1	000-091-2449-14	\$14.00
71	Consult	Shaft, step, assist	1	000-116-1724-21	\$48.00
72	Consult	Collar, spacer	1	000-117-3065-16	\$1.00
73	Consult	Catch, magnet	2	100-011-1469-00	\$7.00
74	178221	Catch, magnet	1	000-027-2865-01	\$9.00
75	Consult	Stay, USB	1	000-144-5931-05	\$21.00
76	Consult	Bracket, power supply SW	1	100-012-0024-00	\$112.00
77	Consult	Guide, shaft	1	100-009-1802-00	\$20.00
78	187475	Collar A	2	000-095-9235-00	\$16.00
79	187450	Collar, step	1	000-076-7629-05	\$15.00
80	Consult	Guide, label	1	100-010-6526-00	\$35.00
81	178189	Shaft, label, spacer	1	100-008-8473-00	\$13.00
82	Consult	Plate A, fulcrum, holder	1	100-011-0588-00	\$18.00
83	Consult	Roller, paper core	1	100-011-0573-00	\$37.00
84	Consult	Holder, paper core	1	100-011-0579-01	\$66.00
85	Consult	Spring, plate, paper core	1	100-011-0580-01	\$77.00
86	Consult	Guide, label, POP	1	100-009-7029-01	\$71.00
87	Consult	Bracket, guide roller	1	100-010-9519-01	\$237.00
88	Consult	Roller, turn, label	2	100-009-7026-01	\$36.00
89	Consult	Spacer, turn, roller	1	100-010-9517-00	\$24.00
90	Consult	Roller, guide	1	100-010-9518-00	\$85.00
91	189208	Bush	2	000-076-1844-08	\$3.00
92	178222	Shaft, step, short	1	100-011-0227-01	\$140.00
93	178223	Torque limiter	1	000-078-0990-00	\$20.00
94	Consult	Shaft, fulcrum, holder	1	100-011-0587-00	\$63.00
95	Consult	Plate A, sensor	1	100-011-0483-00	\$14.00
96	Consult	Cover, sensor, open/close	1	100-011-0479-01	\$25.00
97	181386	Hinge, L	2	000-011-5730-01	\$14.00
98	Consult	Cover, printer	1	100-011-1555-01	\$359.00
99	198655	Cover, label, sensor	1	100-011-2014-01	\$39.00
100	178190	Roller, label	1	100-012-1219-00	\$15.00
101	178225	C-ring for shaft	1	000-014-8693-09	\$2.00
501	178226	PWB P-1131A-3, pop printer board, A410	1	100-009-2885-01	\$589.00
502	171875	Print head, thermal, E400	1	100-010-2669-00	\$426.00
503	105979	Magnet, green, for proximity switch, head up (B415), printer door (B420)	2	000-067-2609-01	\$17.00
—	189088	Screw, mount, Cross-Head, M2x4, SST	4	—	\$2.00
504	171876	Photo interruptor, peel sensor, trans, B410	1	000-112-1169-16	\$17.00
505	171877	Photo interruptor, peel sensor, rec, B411	1	000-112-1170-11	\$16.00
506	125717	Switch, rotary, main power on/off, S100	1	000-134-8366-02	\$59.00
601	178227	Sensor assembly POP, label gap/head up, B412, B413	1	100-005-2664-00	\$166.00
602	Consult	Harness, C2, USB (A10 XJ4 to A410 XJ7)	1	100-006-5608-00	\$44.00
603	178228	Harness, S2, thermal head (A410 XJ22 to E400 print head)	1	100-007-8314-00	\$205.00
604	Consult	Harness, C4, motor (A410 XJ16 to M401 and A410 XJ11 to M411)	1	100-007-8312-00	\$66.00

Printer Unit - POP**Part Number/Price**

REF #	PART #	DESCRIPTION	QTY	SYNONYM	PRICE
605	182821	Harness, C2, to B414 (peel sensor receiver) (B411 to conn B411 [X411])	1	100-002-3521-00	\$29.00
606	189288	Harness, C5, power supply SW (S100 to X109)	1	000-137-8216-27	\$25.00
607	178229	Sensor assembly, printer door open/closed, B419	1	100-006-3340-00	\$59.00
—	189088	Screw, mount, Cross-Head, M2x4, SST	2	—	\$2.00
Assembly	200439	Stand by roller unit assembly, pop		100-019-4166-00	\$248.00
Assembly	200440	Roller, stand by, short, assembly, pop (includes 2, 4, 92, 100, and 101)		100-020-2565-00	\$112.00

Ishida WM-Ai

Printer Unit - POP



PN 200439 Stand by roller unit, pop

PN 200440 Stand by roller unit, short, pop

- B410 - Peel sensor, emitter
- B411 - Peel sensor, receiver
- B412 - Label gap sensor, emitter
- B413 - Label gap sensor, receiver
- B414 - Print head up sensor
- B415 - Print head up magnet
- B419 - Printer cover open/closed sensor
- B420 - Printer cover open/closed magnet

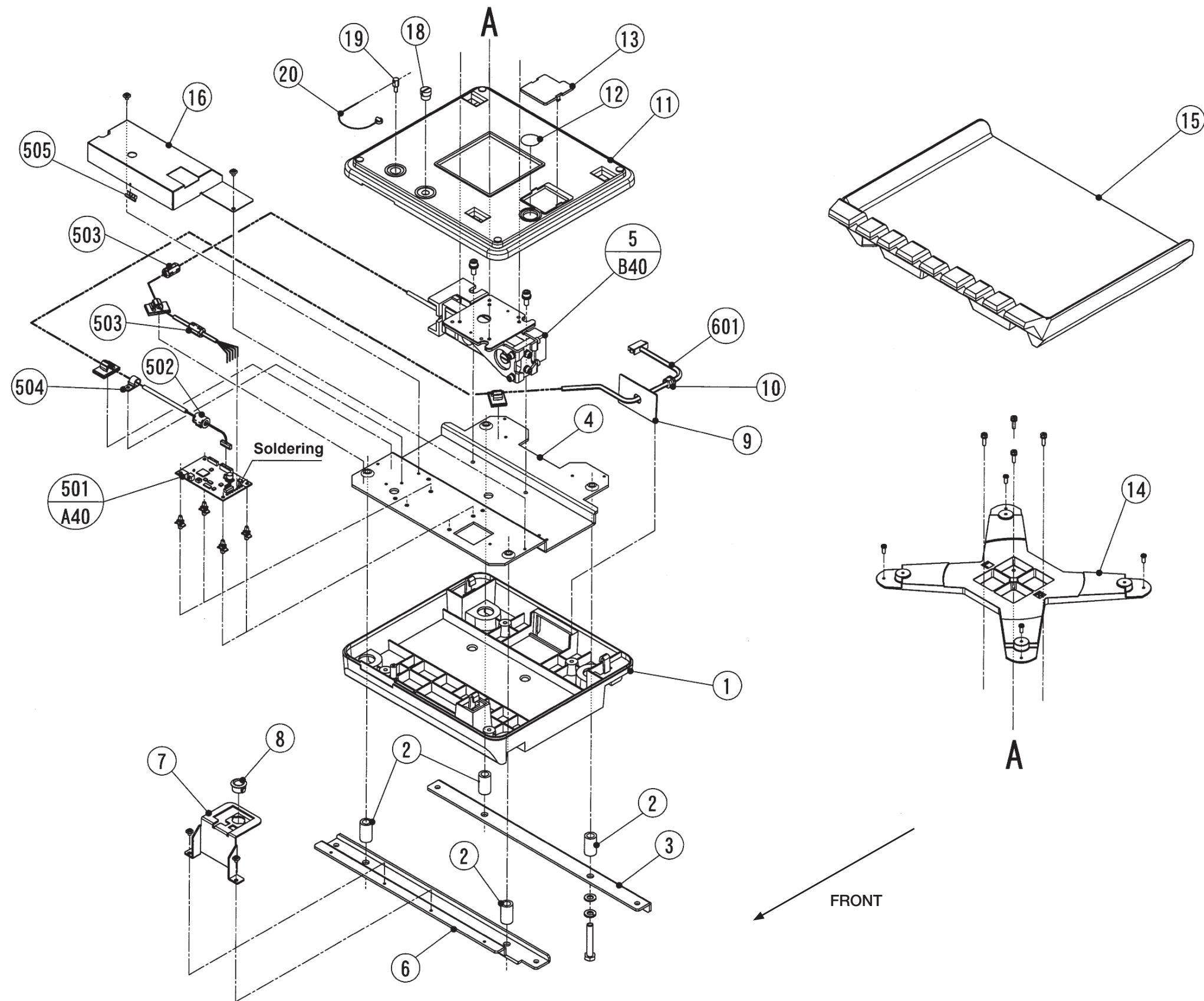
Scale Unit

Part Number/Price

REF #	PART #	DESCRIPTION	QTY	SYNONYM	PRICE
1	Consult	Case, scale, lower	1	000-112-1167-19	\$48.00
2	Consult	Collar	4	000-076-9992-05	\$4.00
3	189307	Supporter, scale	1	000-137-0982-00	\$21.00
4	Consult	Base, weigh	1	000-136-3627-01	\$36.00
5	47030	Load cell assembly unit, CLC-25N, B40	1	000-047-3068-01	\$404.00
6	189308	Supporter, scale	1	000-137-0984-07	\$24.00
7	Consult	Bracket, level	1	000-113-7265-01	\$28.00
8	172672	Level assembly	1	000-011-2854-08	\$21.00
9	Consult	Plate B, back plate	1	000-138-5906-01	\$2.00
10	Consult	Accessory, bush, cable	1	000-074-7145-05	\$2.00
11	195760	Case, scale upper	1	000-145-9923-07	\$79.00
12	78711	Seal	1	000-046-2413-02	\$3.00
13	Consult	Case, scale, cover	1	000-112-1168-12	\$10.00
14	189309	Platter support	1	000-040-6759-48	\$38.00
15	170292	Weigh platter	1	000-112-6622-06	\$66.00
16	Consult	Cover, scale	1	100-002-1271-00	\$37.00
18	45129	Seal screw, nylon	1	000-001-4678-07	\$4.00
19	47032	Step screw, M4x10 mm sealing	1	000-020-3677-01	\$27.00
20	42735	Seal, with wire	1	000-022-3922-08	\$3.00
501	171879	PWB, P-1111A-2 / A-7, A/D board, A40	1	100-003-3404-00	\$736.00
502	186522	Filter, ferrite core	1	000-096-9524-03	\$11.00
503	186547	Filter, ferrite	2	000-044-2730-09	\$11.00
504	186534	Accessory, clamp, shield	1	000-135-7195-06	\$5.00
505	189310	Clip, finger	1	000-136-3610-08	\$4.00
601	196743	Harness, C2, XJ1, scale COM (Connects via 176681 and 196748 to P-1100 CPU A10, XJ16)	1	000-135-7037-29	\$87.00

Ishida WM-Ai

Scale Unit



Seal Heater Unit

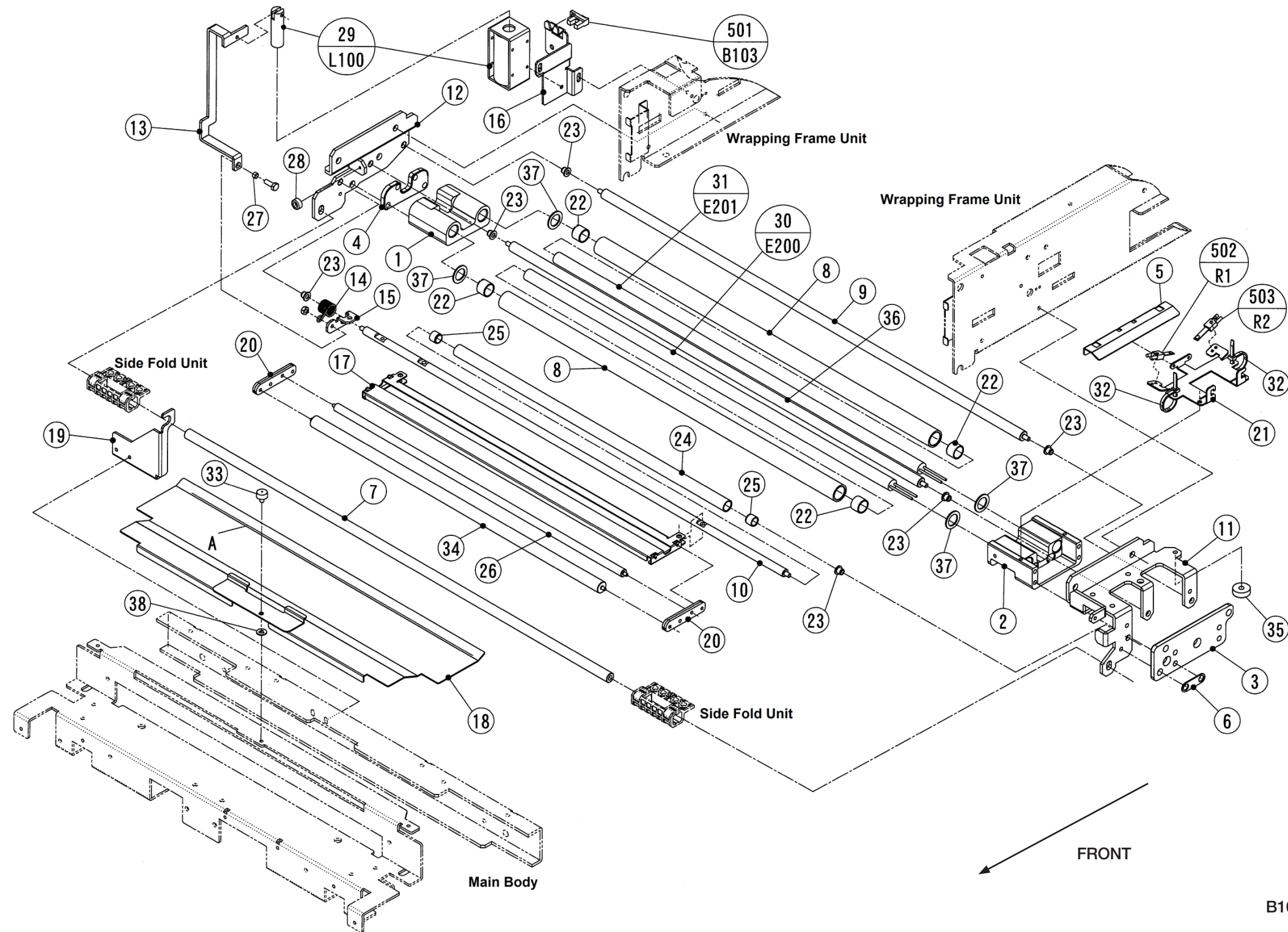
Part Number/Price

REF #	PART #	DESCRIPTION	QTY	SYNONYM	PRICE
1	209019	Block B, base heater left	1	000-135-7300-01	\$28.00
2	209020	Block B, base heater right	1	100-006-4810-00	\$28.00
3	Consult	Plate B, heater	1	000-135-7078-03	\$9.00
4	Consult	Plate B, heater	1	000-135-7079-07	\$6.00
5	Consult	Cover, thermistor	1	000-134-8154-00	\$12.00
6	Consult	Plate A, ground	1	000-134-8331-02	\$3.00
7	193548	Shaft, slide, side fold front	1	000-130-6847-10	\$47.00
8	172527	Roller, seal heater, orange, includes 153654	2	000-131-1661-31	\$84.00
9	172522	Shaft, step type	1	000-130-6848-22	\$119.00
10	Consult	Shaft, discharge, fulcrum	1	000-130-6849-35	\$41.00
11	Consult	Bracket, heater unit	1	000-134-8147-62	\$48.00
12	Consult	Bracket, heater unit	1	000-134-8144-51	\$27.00
13	Consult	Link, heater, guard	1	000-134-8141-20	\$18.00
14	172523	Spring, coil	1	000-137-8017-13	\$5.00
15	208209	Lever, heater guard	1	000-134-8152-49	\$21.00
16	Consult	Bracket, solenoid, heater guard	1	000-134-8150-24	\$18.00
17	Consult	Frame, heater guard	1	000-139-2828-30	\$77.00
18	Consult	Cover, roller, lower	1	000-139-2827-53	\$59.00
19	Consult	Bracket, linear, front	1	000-134-8918-26	\$10.00
20	189205	Holder, roller, discharge	2	000-135-7080-20	\$3.00
21	189206	Bracket, thermistor	1	000-134-8153-43	\$20.00
22	153654	Bush	4	000-070-5375-09	\$8.00
23	153628	Bush	6	000-028-1523-01	\$3.00
24	189207	Roller, discharge	1	000-131-1815-01	\$62.00
25	189208	Bush	2	000-076-1844-08	\$3.00
26	188194	Shaft, step, heater guard	1	000-139-2818-21	\$42.00
27	189279	Collar	1	000-094-0174-15	\$5.00
28	189111	Rubber pad	1	000-039-8056-01	\$2.00
29	125701	Solenoid assembly, heater guard, L100	1	000-073-7078-01	\$31.00
30	172524	Heater, seal element, front, E200, 133 ohm	1	100-006-4604-00	\$226.00
31	172525	Heater, seal element, rear, E201, 133 ohm	1	100-006-4605-00	\$226.00
32	172526	Accessory, band, tie heat resist	4	000-059-8213-07	\$5.00
33	200511	Screw, knurled M4x8 mm SST	1	100-002-1760-00	\$6.00
34	188195	Shaft, step, heater guard	1	000-139-9018-24	\$79.00
35	189197	Collar, stopper	1	000-112-6600-04	\$4.00
36	Consult	Shaft, step type	1	000-141-6348-05	\$48.00
37	153653	Washer, thrust	4	000-073-7143-10	\$9.00
38	186377	Washer, lock, backing	1	000-015-0783-09	\$2.00
501	171837	Photo interrupter, trans, straight connector, heater guard up/down, B103	1	000-132-6468-07	\$21.00
502	153657	Thermistor assembly, heater front, R1*, 3.1K ohm	1	000-072-2291-03	\$28.00
503	157920	Thermistor assembly, heater rear, R2*, 3.1K ohm	1	000-072-2292-07	\$28.00

* Controlled by A200, [Control Unit - Lift, Lower Right Side on page 66](#)

Ishida WM-Ai

Seal Heater Unit



B103 - Heater guard up/down

Side Wrap Unit

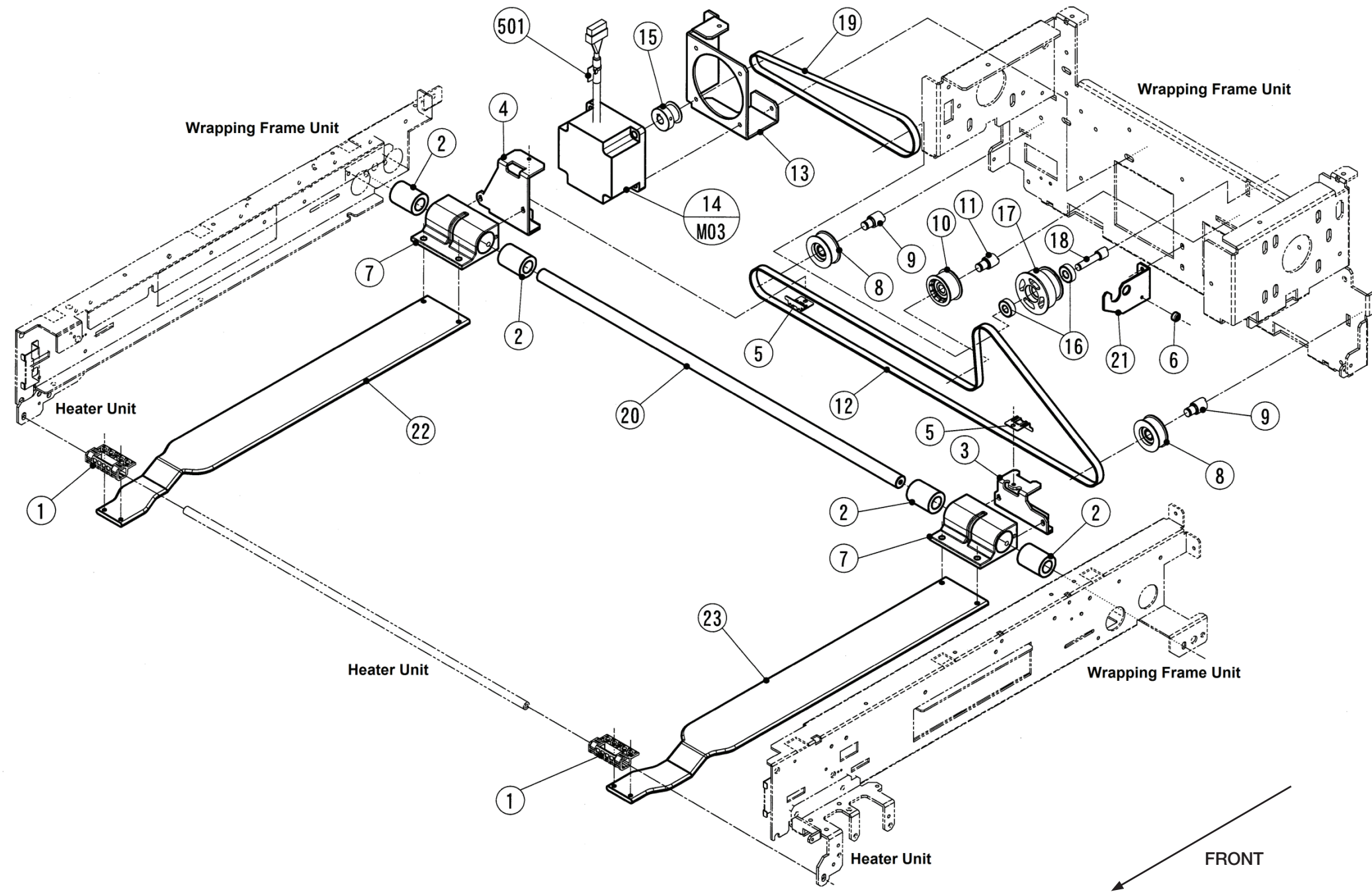
Part Number/Price

REF #	PART #	DESCRIPTION	QTY	SYNONYM	PRICE
1	172514	Block B, slides, side wrap front	2	000-135-7082-09	\$4.00
2	157900	Bearing, linear bush	4	000-069-4929-04	\$27.00
3	Consult	Holder belt, side wrap	1	000-133-8261-36	\$18.00
4	Consult	Holder belt, side wrap	1	000-133-8262-21	\$22.00
5	189198	Bracket, timing belt	2	000-133-8263-05	\$6.00
6	189111	Rubber pad	1	000-039-8056-01	\$2.00
7	193546	Block B, slide, side wrap	2	000-146-5465-02	\$47.00
8	172516	Timing pulley, S5M, AF	2	000-111-8392-00	\$12.00
9	189199	Shaft, tension	2	000-106-6920-33	\$9.00
10	93622	Pulley, idler	1	000-045-3957-08	\$17.00
11	189200	Shaft, tension, side wrap	1	000-086-7487-11	\$9.00
12	172517	Timing belt, S5M	1	000-106-6868-14	\$23.00
13	Consult	Bracket, motor, side wrap	1	000-133-8298-14	\$37.00
14	172518	Motor, DC brushless, round, M03	1	000-135-2940-06	\$272.00
15	189201	Timing, pulley, S5M	1	000-135-7308-00	\$32.00
16	47165	Bearing, radial	2	000-000-3610-03	\$8.00
17	172519	Timing pulley, S5M	1	000-135-7387-04	\$16.00
18	189202	Shaft, fulcrum, side wrap	1	000-137-0758-01	\$14.00
19	189204	Timing belt, HPS5M	1	000-135-4820-00	\$25.00
20	193547	Shaft, liner, side wrap	1	000-106-6916-29	\$67.00
21	Consult	L plate B, support, linear shaft	1	000-133-8264-09	\$11.00
22	172520	Crank plate, B, side wrap, L	1	000-136-3955-12	\$116.00
23	172521	Crank plate, B, side wrap, R	1	000-136-3956-16	\$116.00
501	Consult	Accessory, band, marking tie	1	000-135-2734-05	\$2.00

See [WM-Ai Wrapping Frame Unit on page 156](#); item 503 for home position sensor B101

Ishida WM-Ai

Side Wrap Unit



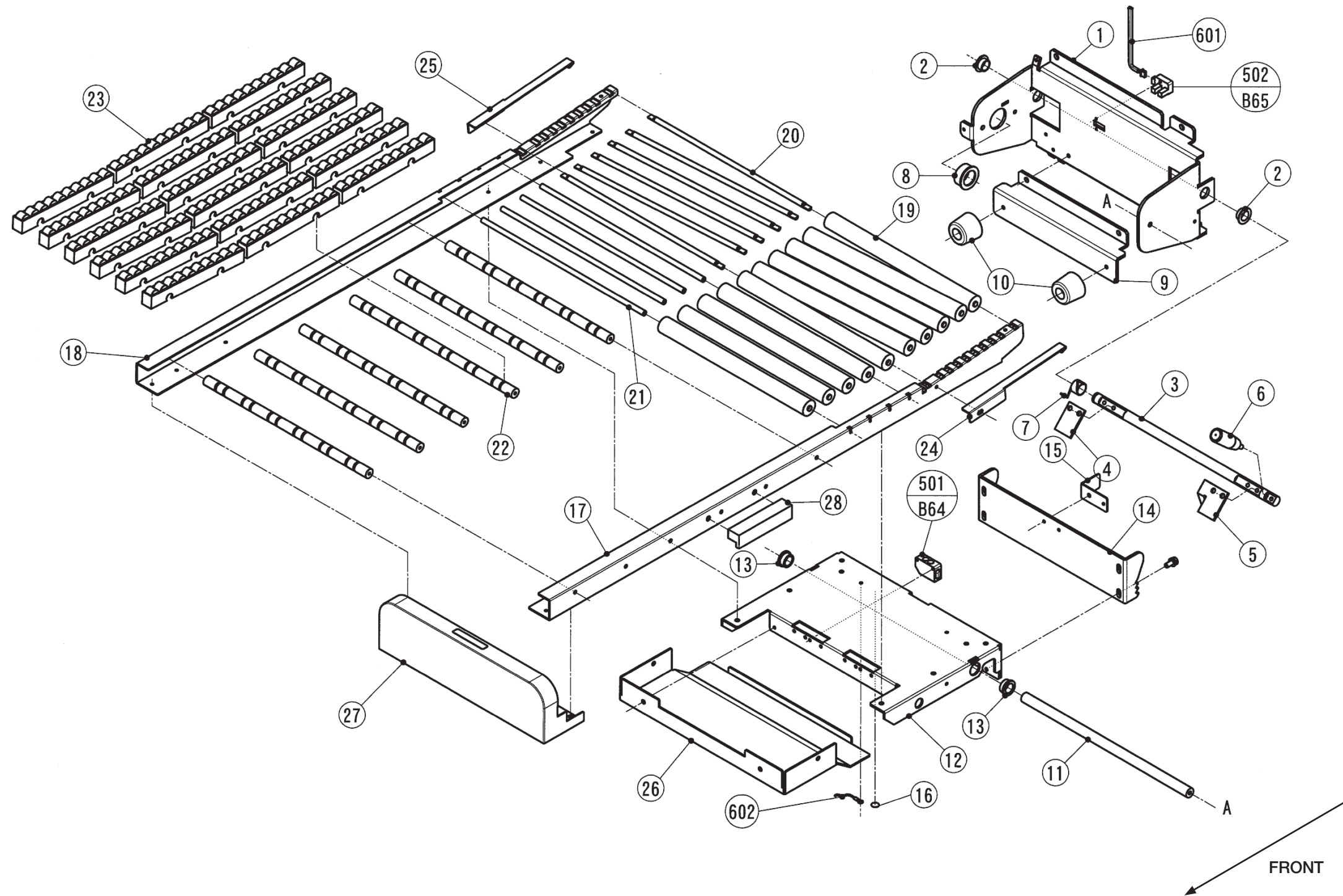
Stock Conveyor Unit

Part Number/Price

REF #	PART #	DESCRIPTION	QTY	SYNONYM	PRICE
1	208021	Bracket, stock conveyor	1	000-138-2053-31	\$235.00
2	208022	Bush	2	000-028-1529-03	\$4.00
3	Consult	Shaft, stopper	1	000-113-7408-35	\$127.00
4	206676	Stopper, A	1	000-113-7319-08	\$22.00
5	206677	Stopper	1	000-138-2055-01	\$37.00
6	185008	Grip handle	1	100-000-5817-00	\$25.00
7	206678	Spring, coil	1	000-113-7320-11	\$31.00
8	Consult	Accessory, bush, one touch	1	000-001-9353-05	\$2.00
9	Consult	Stay, stopper, stock	1	000-148-4279-05	\$68.00
10	Consult	Rubber pad	2	000-043-2417-05	\$2.00
11	196973	Shaft, fulcrum	1	000-138-5687-06	\$75.00
12	208169	Frame, fulcrum	1	000-138-2052-38	\$146.00
13	196974	Bushing, fulcrum frame	2	000-014-9809-07	\$5.00
14	Consult	Stopper	1	000-138-2054-08	\$63.00
15	Consult	Detecting plate	1	000-113-7411-35	\$7.00
16	Consult	Name plate	1	000-097-8992-16	\$1.00
17	202462	Frame, conveyor	1	000-138-2056-23	\$190.00
18	Consult	Frame, conveyor	1	000-138-2067-24	\$168.00
19	187408	Roller, textured	10	000-037-7887-10	\$50.00
20	187409	Shaft	6	000-138-5664-01	\$38.00
21	187410	Shaft, fixed	4	000-138-5685-09	\$28.00
—	184890	Screw, M3x5 mm	8	000-004-9689-08	\$2.00
22	187411	Shaft, stay	6	000-138-5689-03	\$23.00
23	176680	Roller, mini roller	18	000-056-4051-04	\$5.00
24	202464	Cover, roller, stock	1	000-147-3477-14	\$19.00
25	Consult	Cover, roller, stock	1	000-147-3478-18	\$16.00
26	Consult	Cover, stock	1	000-138-2051-25	\$85.00
27	192217	Stopper, tray	1	000-113-7414-36	\$152.00
28	Consult	Lug	1	000-113-7418-03	\$12.00
501	172638	Sensor assembly, conveyor full, B64	1	000-135-0221-04	\$162.00
502	104239	Photo interrupter, transmitter, conveyor up/down, white conn., B65	1	000-070-5204-14	\$12.00
601	207014	Harness, C3 sensor (X61 to B65, conn B64 [X64])	1	000-135-0142-31	\$79.00
602	Consult	Harness, S2 ground	1	000-138-2231-01	\$11.00
Assembly	202461	Stock conveyor, assembly, complete		000-150-3234-05	\$2,195.00

Ishida WM-Ai

Stock Conveyor Unit



B64 - Conveyor full
 B65 - Conveyor up/down position

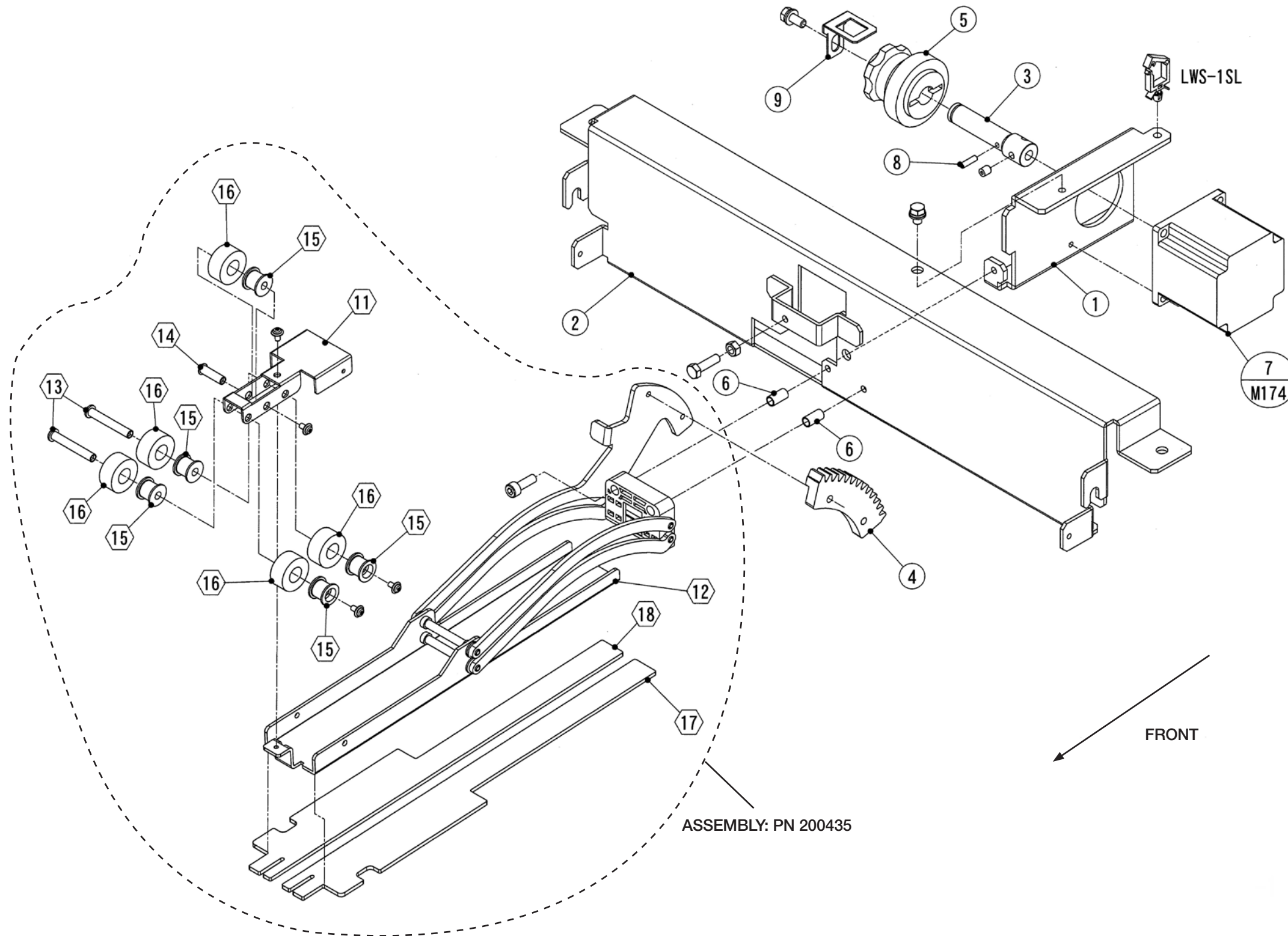
Tray Press Unit

Part Number/Price

REF #	PART #	DESCRIPTION	QTY	SYNONYM	PRICE
1	Consult	Bracket, drive, tray press	1	000-133-5562-26	\$26.00
2	Consult	Frame, tray press	1	000-135-0301-45	\$74.00
3	Consult	Shaft, drive, tray press	1	000-133-5563-39	\$41.00
4	172539	Gear, flat, tray press	1	000-135-7085-00	\$4.00
5	172540	Gear, drive shaft	1	000-061-7367-04	\$72.00
6	189213	Collar, spacer	2	000-001-2374-08	\$2.00
7	199177	Motor assembly, stepping, tray press, M174	1	000-112-6606-06	\$87.00
8	52623	Spring, pin, M3x12 mm zinc	2	000-003-3398-05	\$2.00
9	Consult	L plate B, tray press	1	000-149-0416-01	\$5.00
11	Consult	Bracket, roller, tray press	1	000-135-0281-26	\$17.00
12	Consult	Link assembly, tray press	1	000-149-6829-09	\$170.00
13	189214	Pin, roller, tray press	2	000-135-0282-01	\$10.00
14	189215	Pin, roller, tray press	1	000-135-0283-14	\$9.00
15	176919	Roller, tray press	5	000-090-0964-02	\$3.00
16	176920	Roller, large bushing, tray press orange foam	5	000-072-2154-15	\$18.00
17	189216	Sheet, tray press	1	000-135-0344-27	\$13.00
18	189217	Sheet, tray press	1	000-135-0343-23	\$13.00
Assembly	172541	Tray press unit	1	000-150-3138-02	\$257.00

Ishida WM-Ai

Tray Press Unit



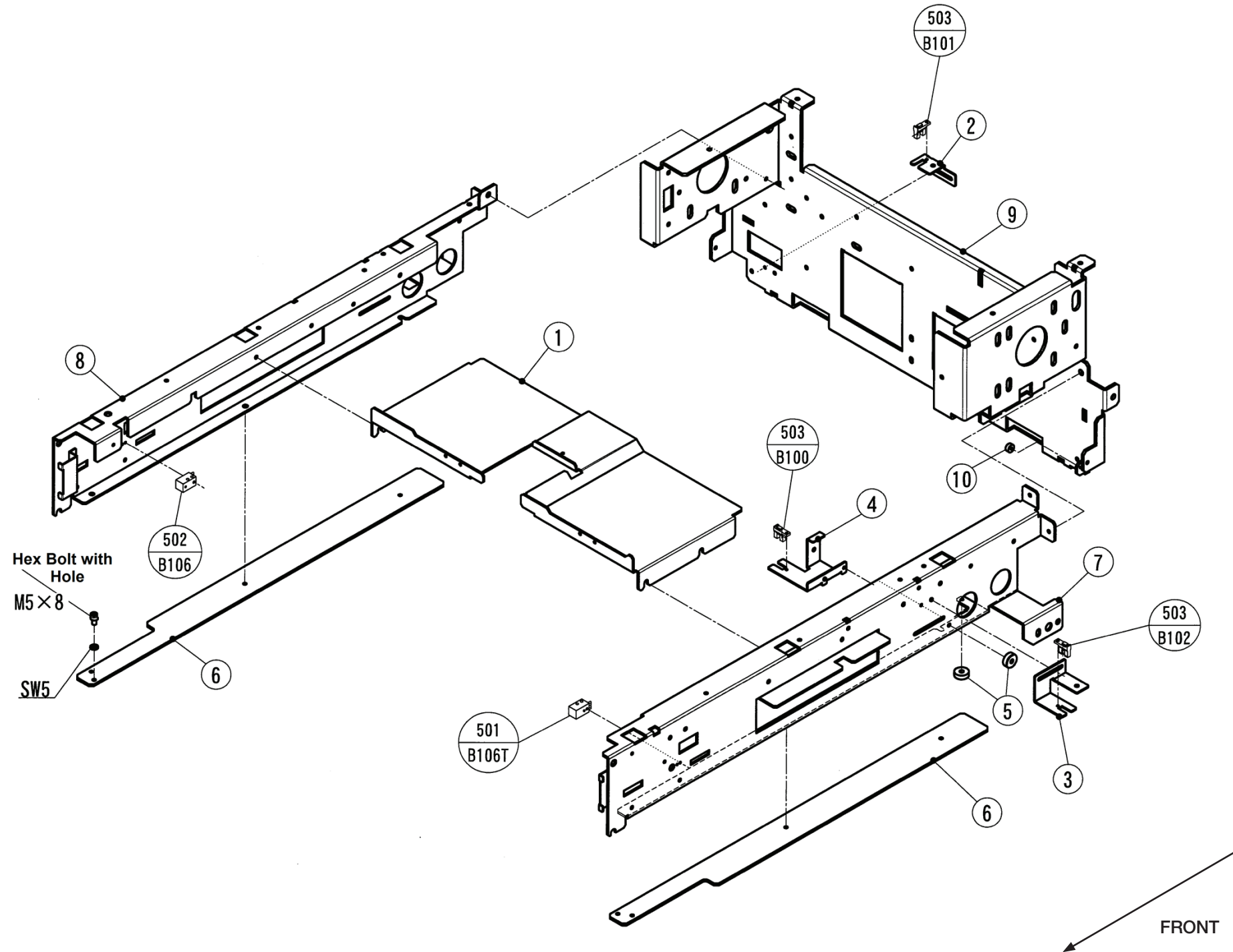
Wrapping Frame Unit

Part Number/Price

REF #	PART #	DESCRIPTION	QTY	SYNONYM	PRICE
1	Consult	Frame, printer stand	1	000-135-2594-29	\$63.00
2	189194	Bracket, sensor, S-fold	1	000-133-8300-00	\$12.00
3	189195	Bracket, sensor, R fold	1	000-133-8308-09	\$14.00
4	189196	Bracket, sensor, pusher	1	000-133-8314-12	\$17.00
5	189197	Collar, stopper	2	000-112-6600-04	\$4.00
6	Consult	Plate B, slider	2	000-136-3647-05	\$59.00
7	Consult	Frame, wrap R	1	000-133-8293-74	\$103.00
8	Consult	Frame, wrap L	1	000-133-8294-57	\$106.00
9	Consult	Frame, packaging	1	000-134-8257-56	\$191.00
10	189111	Rubber pad	1	000-039-8056-01	\$2.00
501	125711	Photo interrupter, sensor, transmitter, B106T	1	000-112-9768-07	\$11.00
502	125712	Photo interrupter, sensor, receive, B106	1	000-112-9769-01	\$27.00
503	171837	Photo interrupter, trans, straight connector, B100-B102	3	000-132-6468-07	\$21.00

Ishida WM-Ai

Wrapping Frame Unit



- B100 - Discharge Pusher, Home Position
- B101 - Side Folders, Home Position
- B102 - Rear Folder, Home Position
- B106 - Discharge Safety, Receiver
- B106T - Discharge Safety, Transmitter

Ishida WM-Micro



Ishida WM-Micro

ISHIDA WM-MICRO

Connection Unit

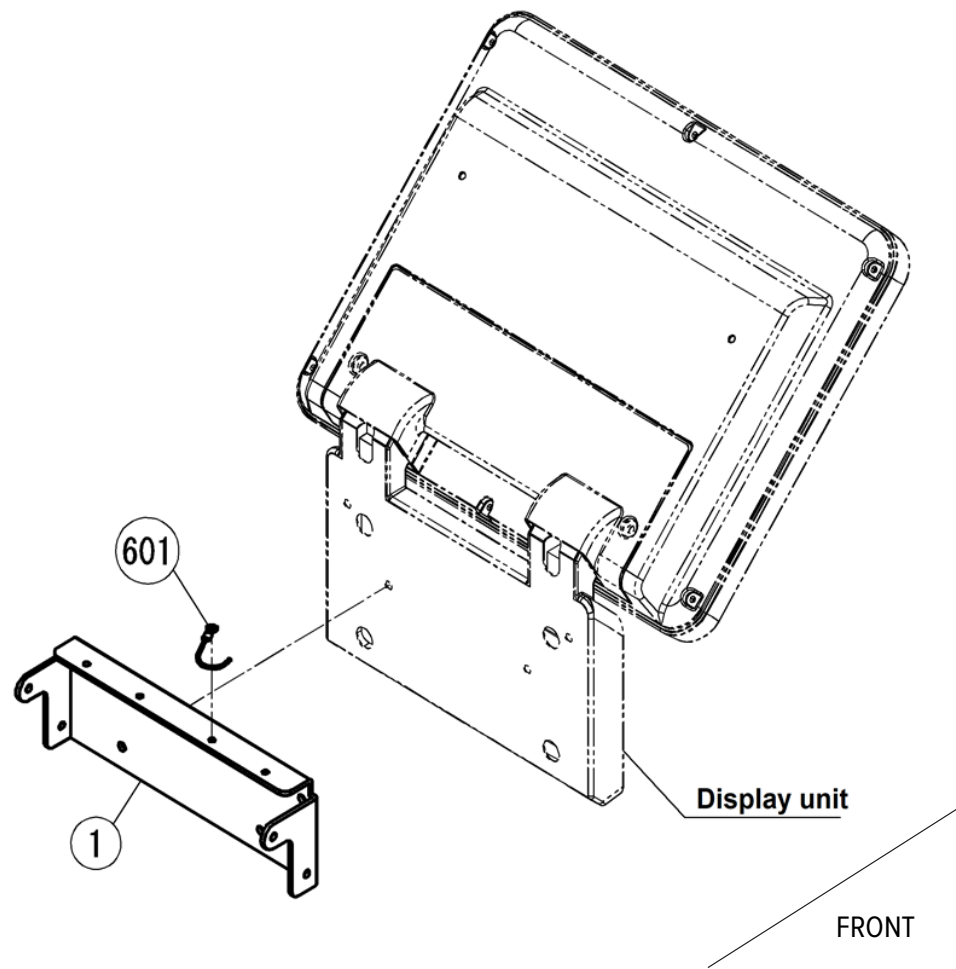
Part Number/Price

REF #	PART #	DESCRIPTION	QTY	SYNONYM	PRICE
1	Consult	Bracket, operation	1	100-058-2448-00	Consult
601	225660	Harness, S2, earth	1	100-036-1274-00	\$16.00

Ishida WM-Micro

Ishida WM-Micro

Connection Unit



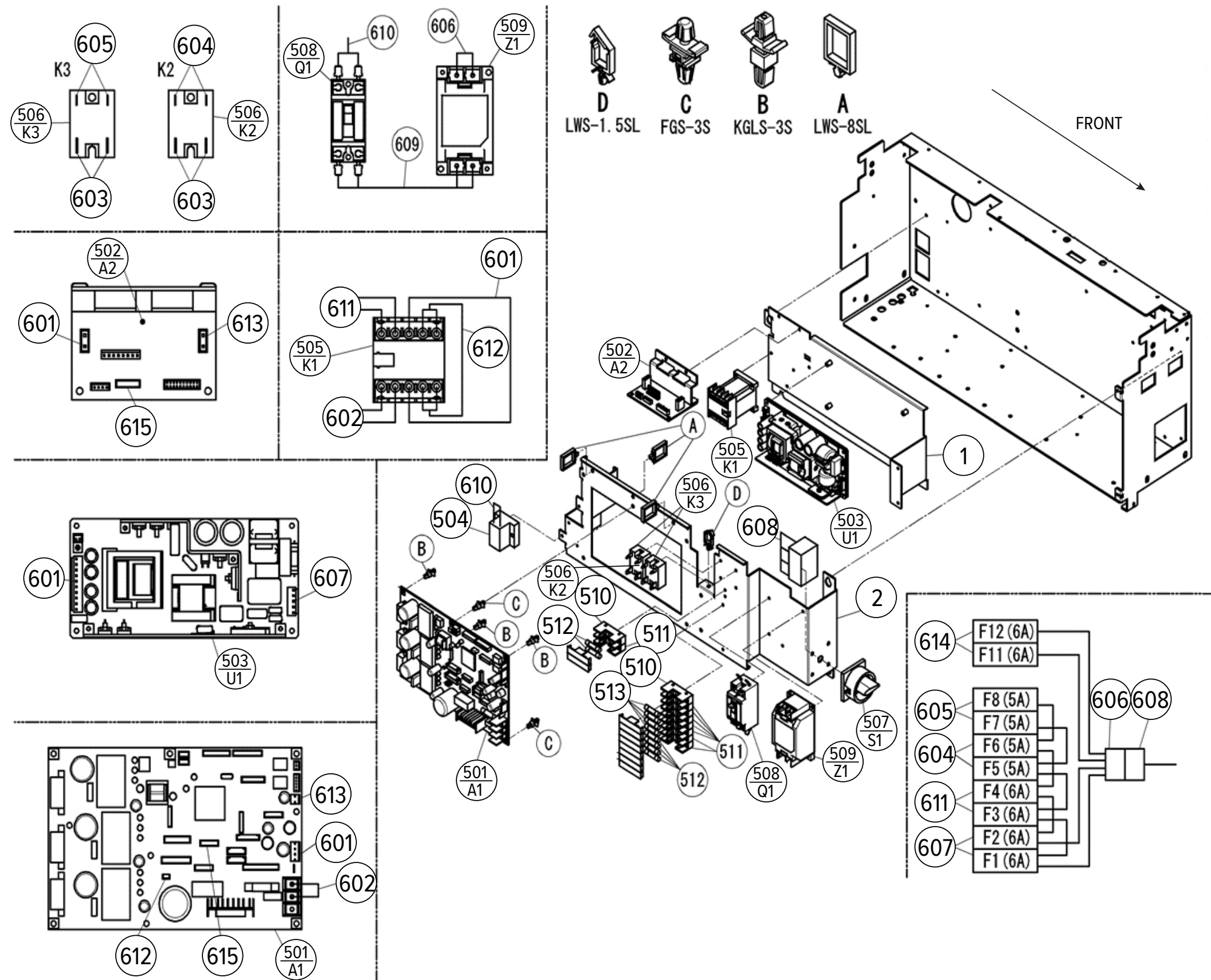
Control Unit

Part Number/Price

REF #	PART #	DESCRIPTION	QTY	SYNONYM	PRICE
1	Consult	Bracket, power supply	1	100-059-4131-01	Consult
2	Consult	Bracket, control	1	100-059-4132-02	Consult
501	225595	PWB, P-1186, B-2, main board (A1)	1	100-059-1107-03	\$1,827.00
502	225596	PWB, P-1006, C-8, sub board, motor controller board (A2)	1	000-139-9343-11	\$552.00
503	225597	Power supply, switching (U1)	1	100-047-9585-00	\$298.00
504	Consult	Terminal, block	1	100-048-4106-00	Consult
505	171868	Electromagnetic contactor (K1)	1	000-092-5601-03	\$59.00
506	125708	Relay, solid state (K2, K3)	2	000-086-7316-09	\$21.00
507	125717	Switch, rotary, main power on/off (S1)	1	000-134-8366-02	\$59.00
508	225598	Breaker, leak (Q1)	1	100-024-8617-00	\$71.00
509	172631	Filter, noise, AC line (Z1)	1	000-137-6845-04	\$87.00
510	72857	Fuse holder, terminal	2	100-015-5825-00	\$11.00
511	72856	Fuse holder, terminal	8	100-015-5826-00	\$11.00
512	125707	Fuse, glass tube, FGA0.2, 6.4 × 30, 6 A, 250 V, 3 AG (F1, F2, F3, F4)	6	000-069-2407-00	\$6.00
513	47075	Fuse, glass tube, 5 A, 250 V, 3 AG (F5, F6, F7, F8)	4	000-033-3882-09	\$4.00
601	225599	Harness, C5, power DC	1	100-058-7078-01	\$85.00
602	225600	Harness, C4, power supply AC	1	100-056-6079-01	\$75.00
603	225601	Harness, C5, SSR	1	100-055-9221-01	\$136.00
604	225602	Harness, C5, seal heater	1	000-132-2001-34	\$34.00
605	225603	Harness, C5, fan heater	1	000-132-2104-34	\$38.00
606	225604	Harness, C21, power supply AC	1	100-061-4512-01	\$171.00
607	225605	Harness, C3, power supply AC	1	100-060-3161-00	\$39.00
608	225606	Harness, C5, power supply SW	1	100-061-4193-00	\$38.00
609	225607	Harness, C4, power supply AC	1	100-061-4188-00	\$19.00
610	225608	Harness, C4, power supply AC	1	100-061-4511-00	\$39.00
611	225609	Harness, S4, power supply AC	1	100-056-6043-02	\$153.00
612	225610	Harness, C9, safety	1	100-055-9550-02	\$57.00
613	225611	Harness, C2, power DC	1	100-056-7146-01	\$58.00
614	225612	Harness, C5, power supply AC	1	100-061-4513-00	\$57.00
615	225613	Harness, S2, communication	1	100-060-1938-00	\$149.00
999	225614	Harness, C8, communication	1	100-055-9521-02	\$328.00
999	225615	Harness, C3, thermistor	1	100-018-4135-00	\$68.00
999	225616	Harness, C2, cutter	1	100-058-0842-01	\$46.00
999	204023	Harness, C2, ST motor	1	000-131-7498-14	\$31.00
999	225617	Harness, C3	1	100-062-5763-02	\$66.00
999	225618	Harness, C11, signal	1	100-062-4477-00	\$219.00
999	225619	Harness, C2	1	100-058-9047-00	\$85.00
999	225620	Harness, C5, sensor	1	100-055-9234-01	\$108.00

Ishida WM-Micro

Control Unit



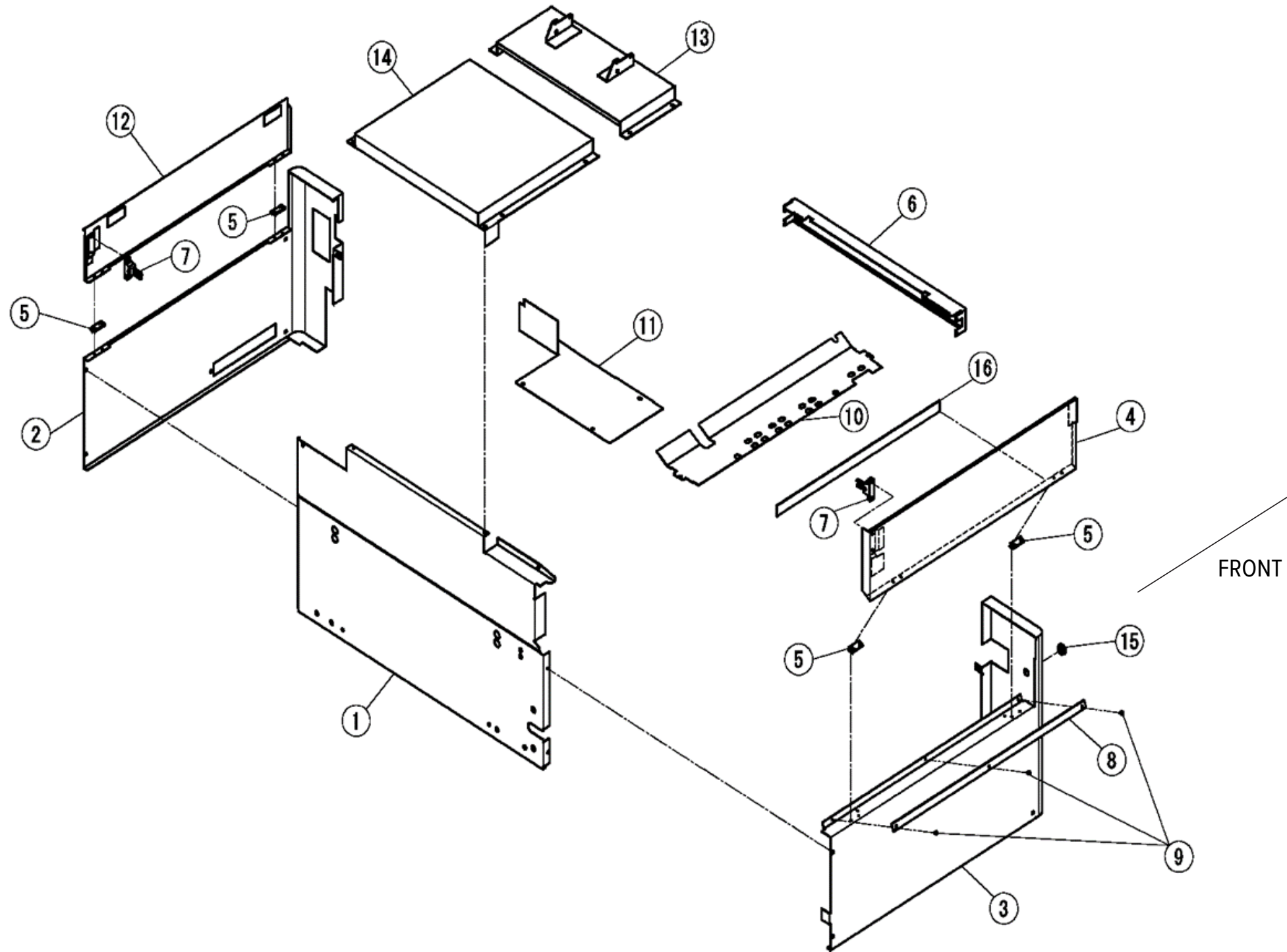
Cover Unit

Part Number/Price

REF #	PART #	DESCRIPTION	QTY	SYNONYM	PRICE
1	225588	Cover, panel, main body, sst, rear	1	100-060-5963-02	\$278.00
2	225589	Cover, panel, main body, sst, side, right	1	100-060-6513-02	\$379.00
3	225590	Cover, panel, main body, sst, side, left	1	100-060-5920-02	\$381.00
4	225591	Cover, panel, main body, sst, door, set, film	1	100-059-4306-03	\$218.00
5	172875	Hinge, sst	4	000-128-6130-03	\$4.00
6	225592	Cover, panel, main body, sst, discharge	1	100-060-5926-01	\$133.00
7	70125	Switch, actuator, movable	2	000-072-2365-05	\$45.00
8	Consult	Plate B, cover	1	000-138-5521-11	Consult
9	177268	Screw, M3-0.5 x 5 mm, hex/socket head, black zinc	3	000-138-5783-01	\$2.00
10	Consult	Cover, panel, main body, sst, film	1	100-057-0657-02	Consult
11	Consult	Cover, panel, main body, sst, rear	1	100-059-5155-01	Consult
12	225593	Cover, panel, main body, sst, door, side, right	1	100-059-4143-01	\$235.00
13	Consult	Cover, panel, main body, sst, top, front	1	100-059-5165-02	Consult
14	Consult	Cover, panel, main body, sst, top, rear	1	100-060-5951-01	Consult
15	193756	Grommet, w/diaphragm	1	000-143-3401-03	\$2.00
16	225594	Sheet, cutter, hook and loop	1	100-063-8243-00	\$19.00
999	226175	Option, cover, film roll protection, SST	1	100-063-5624-00	\$1,025.00

Ishida WM-Micro

Cover Unit



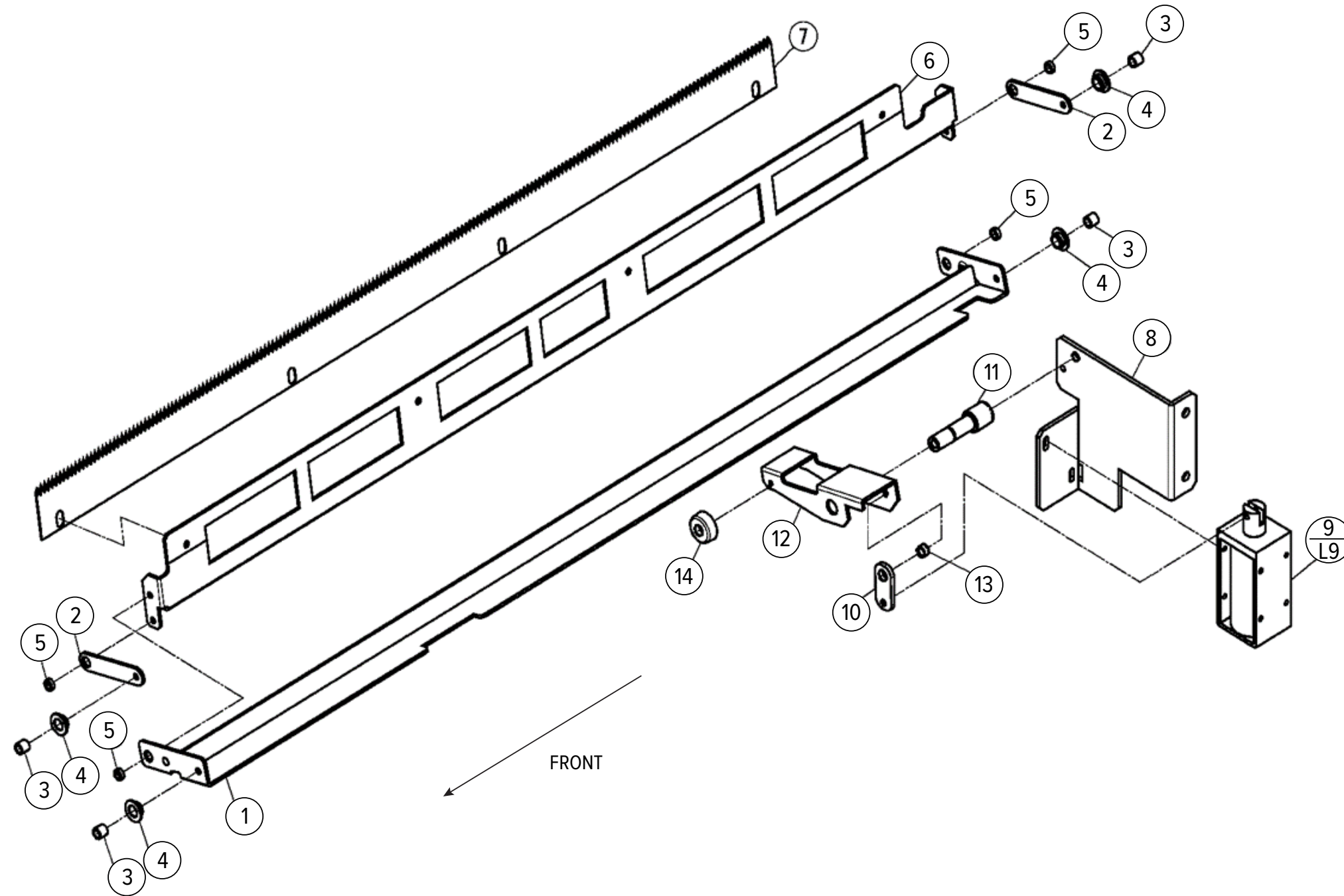
Cutter Unit

Part Number/Price

REF #	PART #	DESCRIPTION	QTY	SYNONYM	PRICE
1	Consult	Link, cutter, interlock	1	100-062-6938-00	Consult
2	Consult	Link, cutter	2	000-135-4868-08	Consult
3	180617	Collar	4	000-017-6855-00	\$4.00
4	78083	Bush	4	000-037-4818-02	\$4.00
5	180618	Collar, lift head	4	000-076-9554-16	\$3.00
6	Consult	Bracket, cutter	1	100-060-6185-01	Consult
7	225537	Cutter, blade, saw edge	1	100-063-3943-00	\$1,010.00
8	Consult	Bracket, solenoid, cutter	1	000-142-6304-09	Consult
9	172596	Solenoid assembly, cutter (L9)	1	000-139-9318-03	\$40.00
10	Consult	Plate A, link, cutter	1	100-060-6184-00	Consult
11	Consult	Shaft, pulley, tension	1	000-109-8205-23	Consult
12	Consult	Lever, solenoid, cutter	1	100-060-6181-01	Consult
13	189279	Collar	1	000-094-0174-15	\$5.00
14	225538	Rubber pad	1	000-111-5643-03	\$5.00

Ishida WM-Micro

Cutter Unit



ISHIDA WM-MICRO

Decal Set - USA

Part Number/Price

REF #	PART #	DESCRIPTION	QTY	SYNONYM	PRICE
1	225661	Decal, sticker, label loading	1	100-061-0523-01	\$71.00
2	225662	Decal, sticker, warning, caution	1	100-062-0048-00	\$94.00
3	225663	Decal, sticker, film loading	1	000-138-2221-12	\$18.00
4	225664	Decal, sticker, warning sealing, cutter	1	000-141-6204-02	\$10.00

Ishida WM-Micro

Ishida WM-Micro

Decal Set - USA

②



①

③

Display Unit - USA

Part Number/Price

REF #	PART #	DESCRIPTION	QTY	SYNONYM	PRICE
1	Consult	Frame, controller	1	100-000-2465-00	Consult
2	Consult	Bracket, connector, A	1	000-110-7915-33	Consult
4*	Consult	Sheet, display	1	100-037-0756-00	Consult
5	225643	Hinge, torque	2	000-112-9612-00	\$21.00
6	Consult	Accessory, bush, open lock	2	000-013-8915-08	Consult
7	189335	TP screw, M3 x 12 mm, tapping, cross/pan head, sst	6	000-072-8766-07	\$2.00
8	189336	TP screw, M4 x 12 mm, tapping, cross/pan head, sst	2	000-072-8768-04	\$2.00
9	199959	Screw, M3-0.5 x 4 mm, cross/pan head, zinc	8	000-002-1849-03	\$2.00
10	189337	Screw, M4-0.7 x 10 mm, cross/hex head, flat and lock	6	000-000-0338-09	\$2.00
11	48233	Screw, M3-0.5 x 6 mm, cross/pan head, sst	2	000-000-0069-07	\$2.00
13	Consult	Accessory, clamp, shield	1	100-010-2576-00	Consult
14	116073	TP screw, M3-0.5 x 4 mm, cross/truss head, zinc	3	000-047-3845-08	\$2.00
15*	158284	Case, plastic, controller, front	1	000-138-1651-08	\$42.00
16	225644	Case, assembly, plastic, controller, rear	1	100-037-4990-00	\$46.00
17	225645	Case, plastic, hinge cover	1	100-038-7586-00	\$14.00
18	189312	Bracket, LCD, left	1	100-000-2468-00	\$9.00
19	189314	Bracket, LCD, right	1	100-000-2467-00	\$9.00
20	Consult	Case, speaker	1	100-050-0901-00	Consult
21	Consult	Cover, speaker	1	100-050-0902-00	Consult
22	186529	Accessory, clamp, flat cable	1	000-150-3050-07	\$3.00
23	Consult	Accessory, clamp, nylon clamp	1	000-000-4756-07	Consult
501	171882	PWB, P-1102, A-4, display controller (A30)	1	100-003-3188-07	\$190.00
503*	171883	Touch panel, analog (B31)	1	000-135-4851-14	\$229.00
504	225646	Display, LCD, TFT	1	100-055-6270-00	\$701.00
601	225648	Harness, C3, LCD	1	100-0539028-02	\$356.00
602	225649	Harness, C4, communication	1	100-048-4128-02	\$347.00
603	189317	Harness, C2, numeric key jct	1	000-135-0213-13	\$62.00
604	225650	Speaker assembly	1	100-063-4196-00	\$62.00
999*	225651	Touch panel assembly (maintenance parts)	1	100-064-0982-00	\$569.00

*See for components

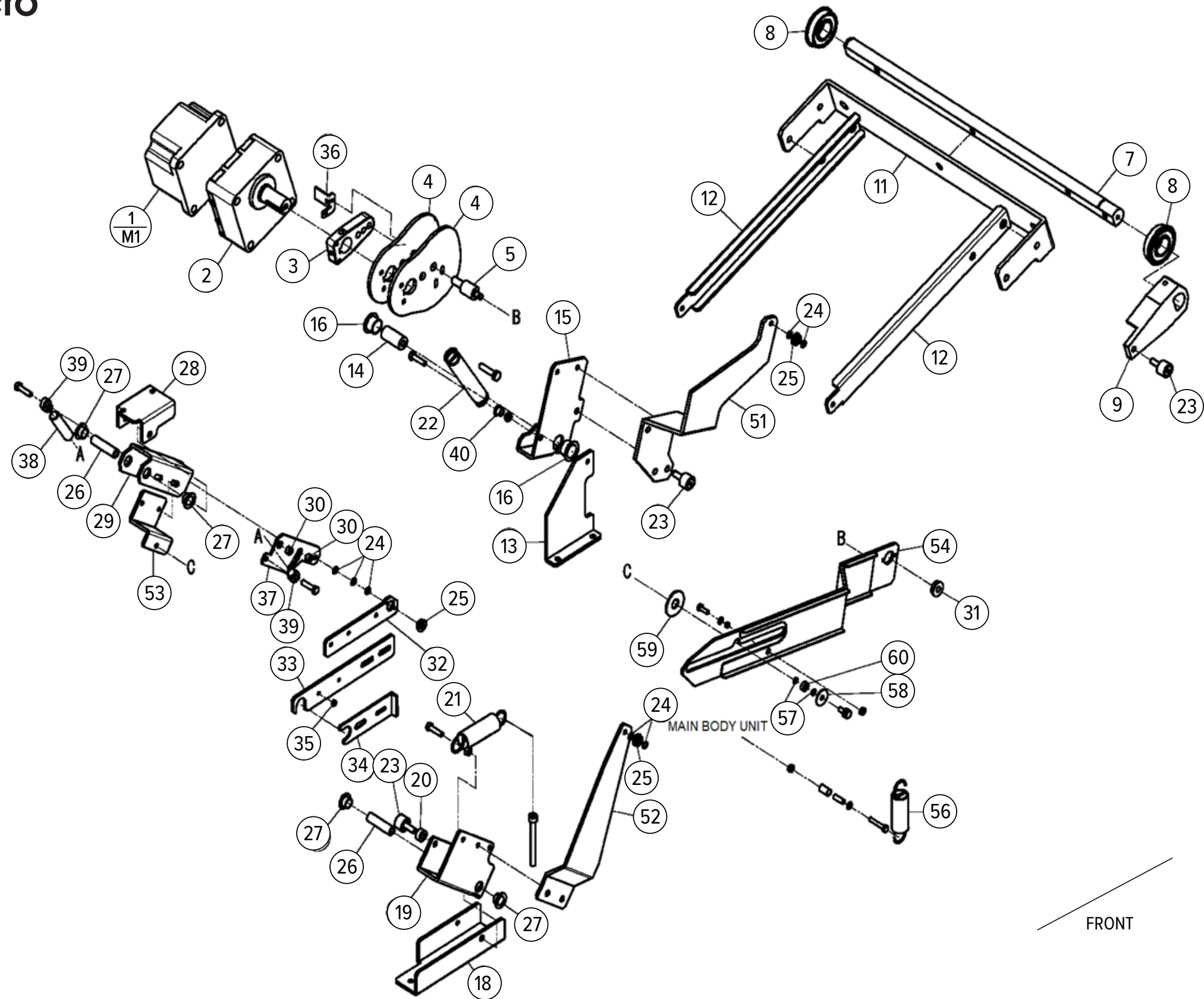
Drive Unit

Part Number/Price

REF #	PART #	DESCRIPTION	QTY	SYNONYM	PRICE
1	175122	Motor, DC brushless, lift (M1)	1	000-135-2938-08	\$289.00
2	Consult	Gear head	1	100-059-4849-00	Consult
3	Consult	Block B, crank	1	000-091-0821-39	Consult
4	Consult	Cam, drive	2	000-132-6343-33	Consult
5	216083	Pin, crank	1	000-132-6342-11	\$23.00
7	Consult	Shaft, fulcrum, lift	1	100-055-1489-01	Consult
8	Consult	Bearing, radial, deep groove	2	000-098-2634-09	Consult
9	Consult	Block B, link, lift	1	000-139-9170-00	Consult
11	Consult	Lever, fulcrum lift	1	000-135-2570-39	Consult
12	Consult	Arm, lift	2	000-135-2569-17	Consult
13	194120	L plate B, stay, fold	1	000-132-6352-27	\$19.00
14	194124	Collar	1	000-135-2577-07	\$12.00
15	Consult	Lever, cam, fold	1	000-135-2576-31	Consult
16	194126	Bush, DU, flange	2	000-015-8914-09	\$12.00
18	Consult	U plate B, stay, pusher	1	000-132-6350-39	Consult
19	Consult	Lever, drive, pusher	1	000-135-2574-24	Consult
20	Consult	Collar	1	000-063-1176-02	Consult
21	125694	Spring coil, compressive	1	000-136-3942-04	\$10.00
22	125695	Spring coil, compressive	1	000-136-3947-11	\$15.00
23	125696	Cam follower, cylindrical	3	000-000-3717-08	\$40.00
24	45160	Collar, washer	3	000-002-8254-03	\$2.00
25	129956	Bearing, radial	3	000-000-3686-06	\$19.00
26	Consult	Collar	2	000-091-8192-01	Consult
27	Consult	Bush, DU, flange	4	000-022-8063-07	Consult
28	Consult	Stay, fulcrum, feed	1	000-135-4664-41	Consult
29	153978	Lever, fulcrum, feed	1	000-142-6379-09	\$108.00
30	69136	Collar	2	000-002-9867-00	\$2.00
31	216080	Bearing, radial, SST	1	000-023-6398-04	\$8.00
32	Consult	Link, feed A	1	000-132-6051-46	Consult
33	Consult	Link, feed B	1	000-132-6050-32	Consult
34	Consult	L plate B, fix, link	1	000-135-4879-18	Consult
35	180618	Collar, lift head	1	000-076-9554-16	\$3.00
36	Consult	Detecting plate	1	000-137-156-09	Consult
37	207320	Lever, link, feed drive	1	000-137-0838-34	\$19.00
38	205114	Spring coil, compressive	1	000-060-5047-18	\$8.00
39	205120	Hanger, spring	2	000-052-3359-08	\$3.00
40	Consult	Bush	1	000-030-6378-07	Consult
51	129952	Arm, fold, left	1	000-142-6361-11	\$120.00
52	Consult	Arm, pusher, L	2	000-135-2893-13	Consult
53	Consult	Lever, support, feed	1	000-143-3074-09	Consult
54	216082	Link, drive lever, SST	1	000-143-3073-05	\$116.00
56	225535	Spring coil, compressive	1	000-142-6112-01	\$10.00
57	164497	Shim, steel	2	000-143-3068-06	\$6.00
58	Consult	Plain washer	1	000-143-3071-17	Consult
59	Consult	Plain washer	1	000-143-3072-01	Consult
60	172643	Bearing, radial	1	000-065-6920-00	\$4.00

Ishida WM-Micro

Drive Unit



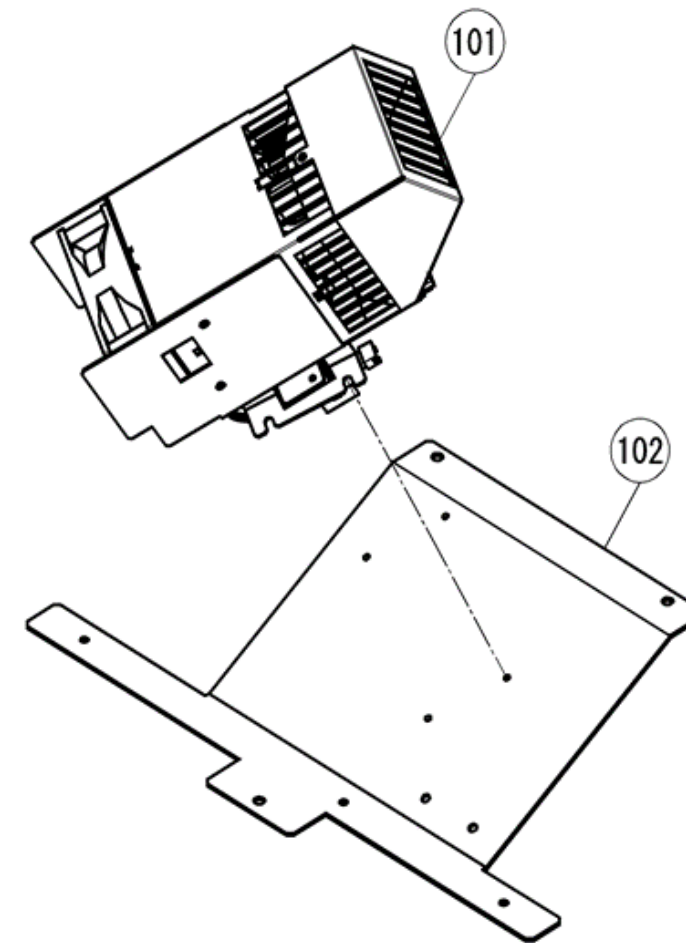
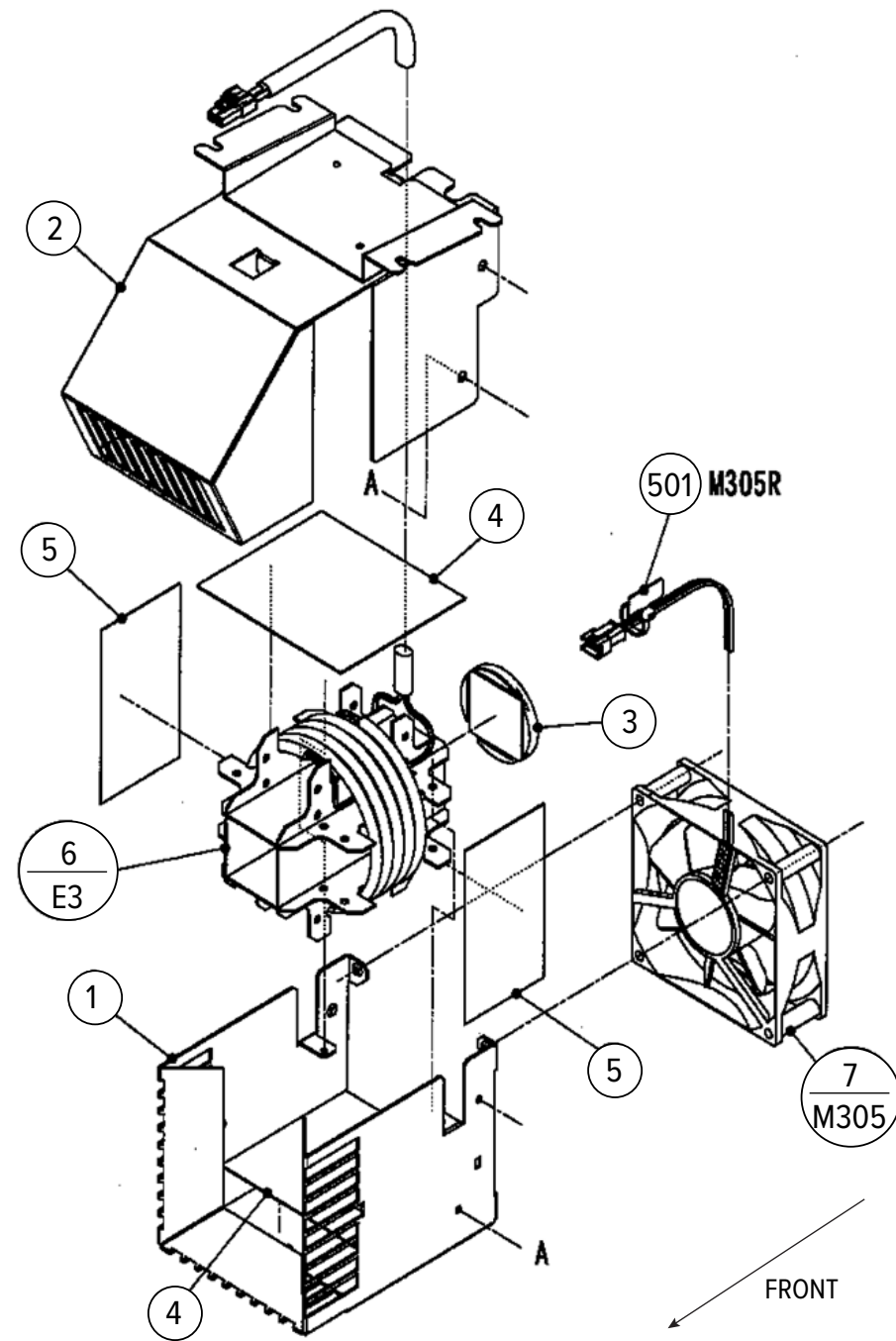
Fan Heater Unit

Part Number/Price

REF #	PART #	DESCRIPTION	QTY	SYNONYM	PRICE
1*	Consult	Chassis	1	000-135-0206-27	Consult
2*	Consult	Cover	1	000-135-0207-61	Consult
3*	164372	Plate B, fan heater	1	000-111-8204-02	\$8.00
4*	186811	Plate B, heater	2	000-124-0457-00	\$4.00
5*	186812	Plate A, heater	2	000-125-0458-03	\$4.00
6*	193539	Element, heater assembly, 96 ohm (E3)	1	100-002-1354-00	\$169.00
7*	193540	Fan assembly, fan heater left (M305)	1	000-086-7320-04	\$79.00
101*	172633	Fan heater unit, complete	1	100-002-3576-00	\$311.00
102	Consult	Base	1	100-060-6423-02	Consult
501*	Consult	Accessory, band, marking tie	1	000-135-4843-05	Consult

Ishida WM-Micro

Fan Heater Unit



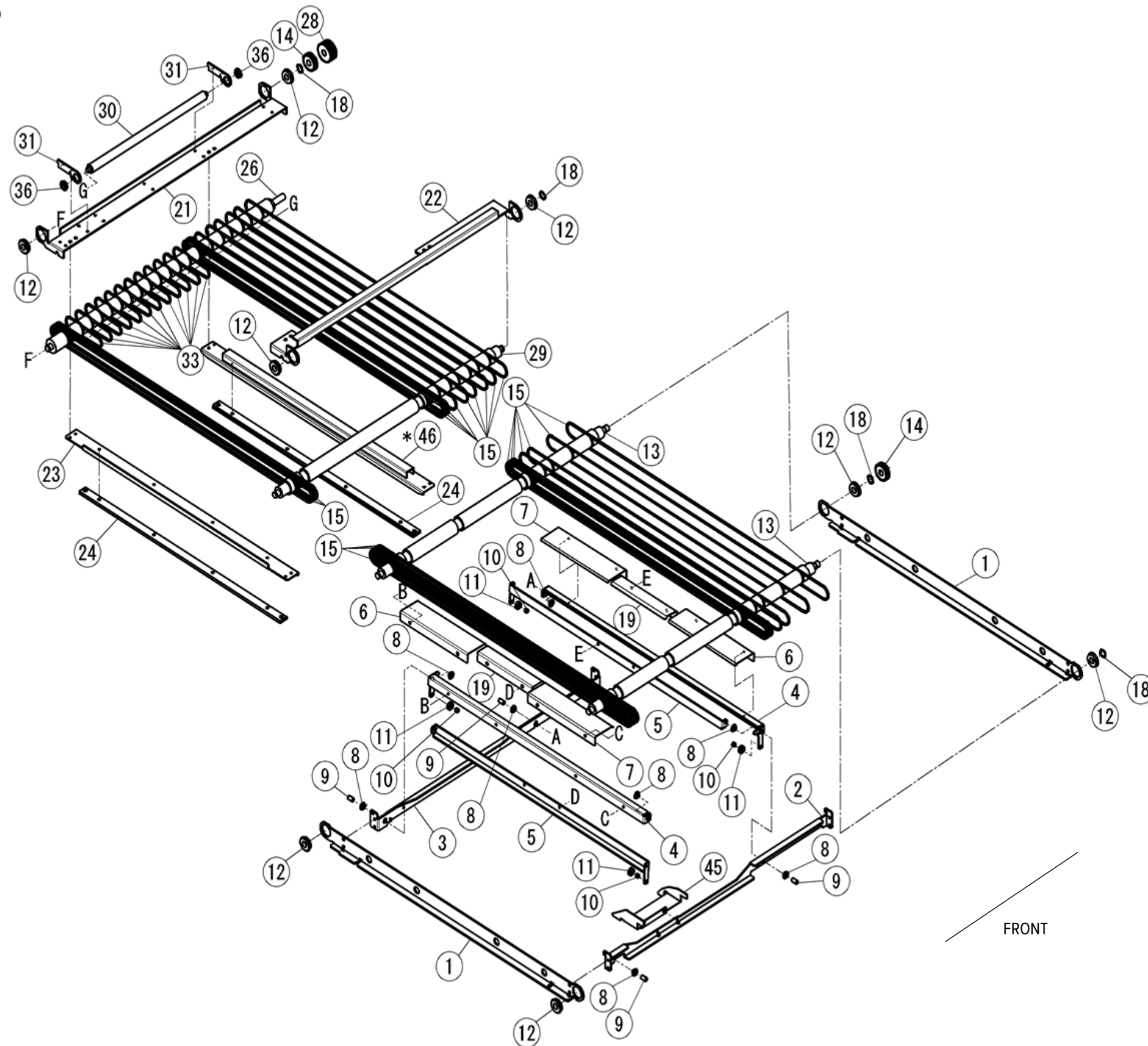
Feeder Unit

Part Number/Price

REF #	PART #	DESCRIPTION	QTY	SYNONYM	PRICE
1	Consult	Frame feeder, under	2	100-056-5142-00	Consult
2	Consult	Stay, clamp	1	000-144-5974-14	Consult
3	Consult	Stay, clamp	1	000-140-7341-15	Consult
4	Consult	Clamp, boss side	2	100-062-5512-00	Consult
5	Consult	Clamp, boss center	2	100-056-4314-01	Consult
6	225539	Clamp, film, side, front, left, rear right	2	100-062-5528-00	\$136.00
7	225540	Clamp, film, side, front, left, rear left	2	100-062-5529-00	\$136.00
8	78083	Bush	8	000-037-4818-02	\$4.00
9	225529	Collar	4	000-017-6858-01	\$10.00
10	Consult	Collar	4	000-009-2199-01	Consult
11	Consult	Collar, frame cutter	4	000-071-4806-01	Consult
12*	160748	Bearing, radial, deep groove	8	000-094-2649-05	\$8.00
13	184013	Shaft, film, under	2	000-140-7342-19	\$187.00
14*	184014	Gear, flat	2	000-138-5683-01	\$43.00
15	225541	Round belt, endless, polycord	23	100-056-5144-00	\$32.00
18*	184015	Wave washer	4	000-045-9586-01	\$2.00
19	225543	Clamp, film, center, front rear	2	100-062-5522-00	\$176.00
21*	Consult	Frame, feeder drive	1	100-059-3923-01	Consult
22	Consult	Frame, feeder upper	1	000-144-5975-18	Consult
23	Consult	Bracket, rail	1	100-056-5352-02	Consult
24	Consult	Rail, belt film	2	100-062-2401-00	Consult
26*	163308	Shaft, film, upper drive left	1	000-141-6014-11	\$399.00
28*	Consult	Timing pulley, S3M, A	1	000-138-5876-03	Consult
29	184016	Shaft, film, upper follower	1	000-135-2800-44	\$187.00
30	225544	Shaft, feeder, follower	1	000-138-2258-01	\$68.00
31	Consult	Stay, tension	2	000-142-1865-12	Consult
33	125693	Round belt, endless, 3 x 198 polycord	12	000-140-7241-07	\$8.00
36	Consult	Bearing, radial	2	000-036-3266-06	Consult
45	Consult	Guide, film	1	000-145-8422-31	Consult
46	Consult	Bracket, rail	1	100-060-5471-02	Consult
999*	225551	Drive roller assembly (maintenance parts)	1	100-063-7623-00	\$526.00

Ishida WM-Micro

Feeder Unit



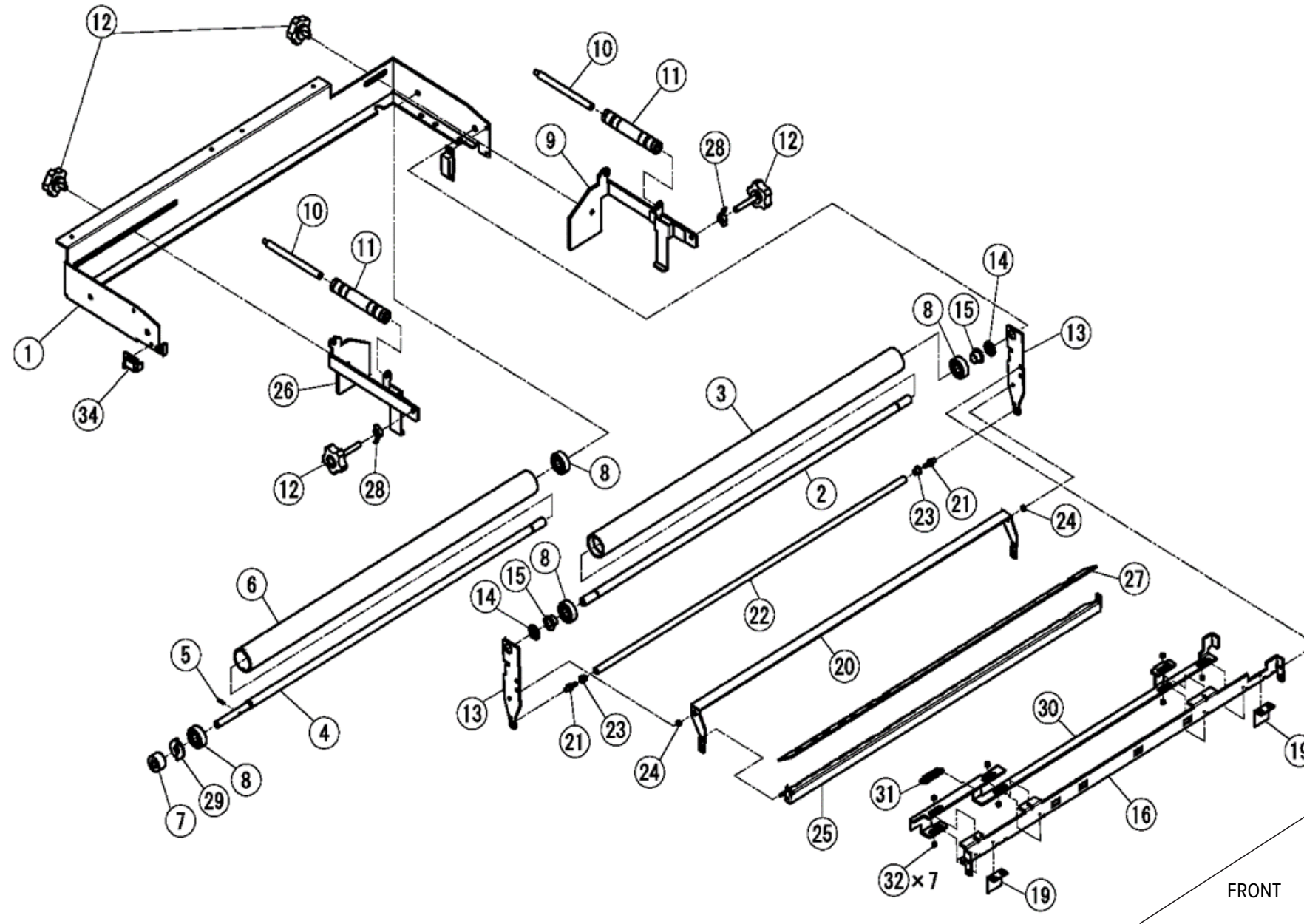
Film Set Unit

Part Number/Price

REF #	PART #	DESCRIPTION	QTY	SYNONYM	PRICE
1	Consult	Frame holder, film	1	100-060-7409-02	Consult
2	208252	Shaft roller	1	000-141-6029-16	\$42.00
3	208251	Roller	1	000-101-1356-01	\$120.00
4	Consult	Shaft roller	1	100-059-3769-01	Consult
5	Consult	Spring pin	1	000-124-5781-05	Consult
6	Consult	Roller	1	100-059-3777-00	Consult
7	225572	Torque limit, film roll	1	100-060-7410-00	\$30.00
8	84792	Bearing radial, deep groove	4	000-051-4933-02	\$15.00
9	206159	Stay, guide, film	1	000-140-7444-06	\$84.00
10	178189	Shaft, label, spacer	2	100-008-8473-00	\$13.00
11	187454	Roller guide	2	000-078-0991-03	\$4.00
12	174286	Knob, super knob	4	000-000-1543-00	Consult
13	Consult	Lever, drive, film	2	100-060-7411-01	Consult
14	132038	Bush	2	000-030-2990-02	\$3.00
15	195434	Bush	2	000-028-1528-00	\$3.00
16	Consult	Stay, lever, film	1	100-060-7413-03	Consult
19	195437	L plate B, spring	2	000-135-2597-48	\$17.00
20	189090	Arm, set, film	1	000-134-8310-22	\$47.00
21	174432	Pin, fulcrum, roller	2	000-137-0666-11	\$12.00
22	129957	Roller	1	000-135-2749-38	\$120.00
23	153628	Bush	2	000-028-1523-01	\$3.00
24	198651	Collar, lift head, sst	2	000-112-6872-01	\$2.00
25*	129959	Attachment, film L	1	000-135-2598-60	\$47.00
26	Consult	Stay, guide, film	1	000-140-7445-00	Consult
27*	129958	Sheet, film loading, hook & loop	1	000-138-2261-13	\$25.00
28	200522	Wing nut, M6, sst	2	000-006-1024-07	\$3.00
29	Consult	Plate B, roller	1	100-059-3783-00	Consult
30	Consult	Stay, lever, arm	1	100-060-7414-02	Consult
31	225573	Spring, coil, tension	1	000-043-1749-08	\$10.00
32	175486	Colar, spacer	7	000-005-0812-04	\$2.00
33	47172	Catch, magnet	1	000-000-3931-09	\$8.00
34	Consult	Stopper, arm, rear	1	100-063-3961-00	Consult
999*	225574	Attachment assembly, L	1	000-144-0580-03	\$65.00

Ishida WM-Micro

Film Set Unit



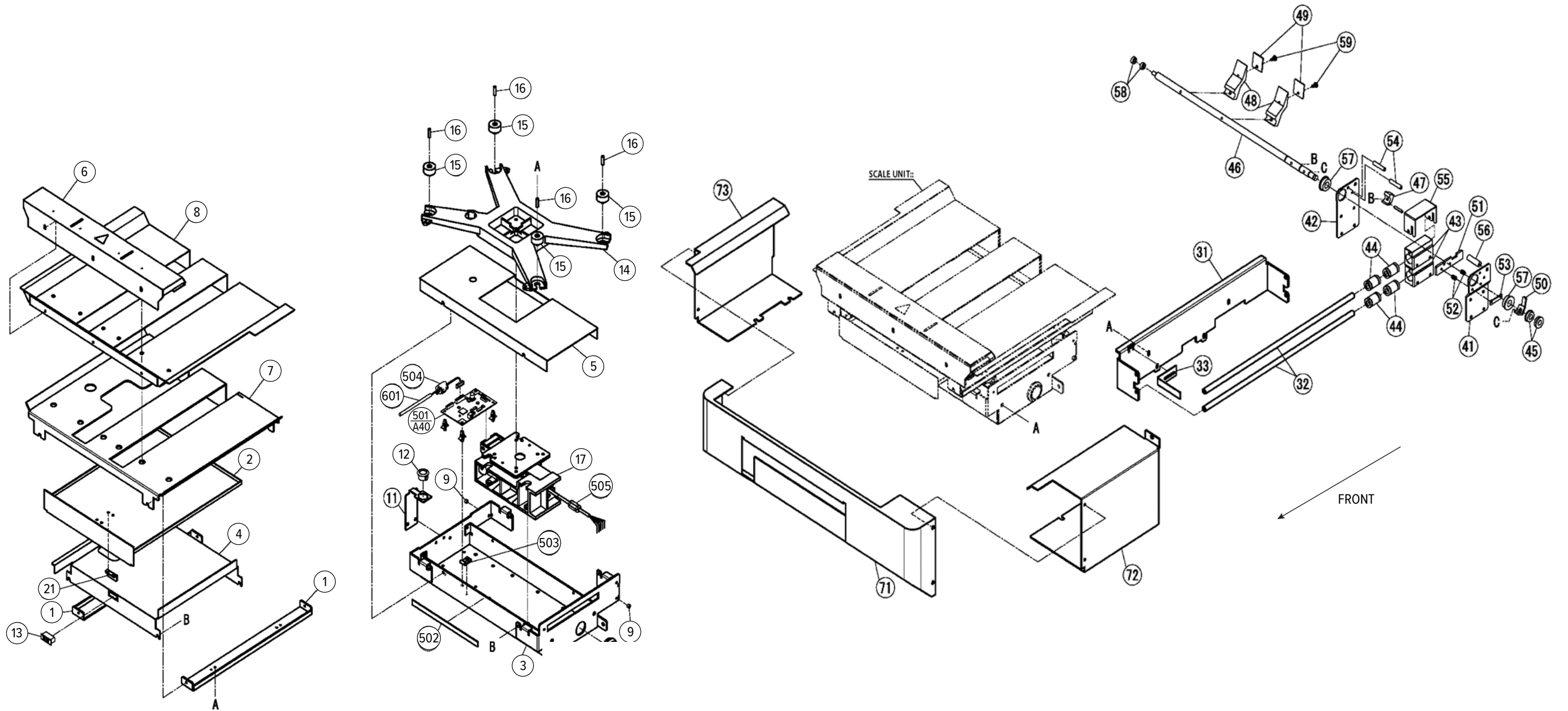
Infeed Unit

Part Number/Price

REF #	PART #	DESCRIPTION	QTY	SYNONYM	PRICE
1	Consult	Stay, weigh	2	000-132-2268-22	Consult
2	225575	Tray, debris, sst	1	000-132-2264-38	\$71.00
3	Consult	Base, weigh	1	100-055-8865-03	Consult
4	Consult	Guide, dust tray	1	000-143-3077-01	Consult
5	Consult	Cover, scale	1	000-132-2267-29	Consult
6	225576	Frame, front, weigh platter	1	100-058-9253-00	\$224.00
7	Consult	Bracket	1	100-055-8641-01	Consult
8	225577	Frame, base, weigh platter	1	100-055-8556-02	\$484.00
9	Consult	Collar	2	000-092-2588-07	Consult
10	Consult	Grommet, w/diaphragm	1	000-008-4746-08	Consult
11	Consult	Bracket, level	1	000-132-2263-06	Consult
12	172672	Level assembly, bubble	1	000-011-2854-08	\$21.00
13	225578	Catch, magnet	1	000-061-6534-06	\$4.00
14	45144	Platter supporter	1	000-000-6131-07	\$40.00
15	45167	Supporter rubber	4	000-000-6142-08	\$6.00
16	189109	Collar, spacer	4	000-111-5657-05	\$2.00
17	47030	Load cell unit, CLC-25N	1	000-047-3068-01	\$404.00
21	Consult	L plate B	1	000-137-8149-11	Consult
31	Consult	Base feed	1	100-055-9022-01	Consult
32	181914	Shaft, linear	2	000-137-0948-02	\$71.00
33	Consult	L plate B, stopper, rotation	1	100-055-9028-00	Consult
34	Consult	Stopper, rotation, inside	1	100-062-9235-00	Consult
41*	Consult	Stay, linear, feed	1	000-143-0931-19	Consult
42*	Consult	Stay, linear, feed	1	000-143-0930-06	Consult
43*	167403	Housing, linear	2	000-057-0390-00	\$14.00
44*	167404	Bearing liner bush	4	000-028-1515-01	\$34.00
45*	172572	Bearing, radial, deep groove	2	000-094-2650-00	\$6.00
46*	Consult	Shaft, feed	1	100-055-8692-00	Consult
47*	Consult	Lever, actuator	1	000-143-0928-08	Consult
48	Consult	Attachment, feed	2	000-145-8496-00	Consult
48*	Consult	Attachment, feed	2	100-062-8358-00	Consult
49*	225579	Sheet, grip pad, finger, feed	2	000-145-8497-03	\$9.00
50*	159639	Lever, reverse, actuator	1	000-143-0929-12	\$10.00
51*	Consult	Plate B, plunger, rotation	1	000-143-0932-12	Consult
52*	Consult	Spring, coil, compressive	2	000-137-0669-03	Consult
53*	Consult	Plate A, nut	1	000-143-0933-07	Consult
54*	195443	Collar, spacer	2	000-000-9538-00	\$2.00
55*	Consult	Cover, guide, plunger	1	000-143-3070-13	Consult
56*	Consult	Threaded rod, round FF	1	000-143-936-08	Consult
57*	Consult	Bearing, radial, deep groove	2	000-000-3692-09	Consult
58*	172643	Bearing, radial	2	000-065-6920-00	\$4.00
59*	Consult	Tapping screw, cross truss, T2	2	000-051-0093-00	Consult
71	225580	Cover panel, infeed, sst, front	1	100-060-7415-01	\$272.00
72	225581	Cover, panel, infeed, sst, right	1	100-056-2480-02	\$276.00
73	225582	Cover, panel, infeed, sst, left	1	100-056-2889-02	\$335.00
501	225583	PWB, P-1111, A-3, A/D board (A40)	1	100-054-0677-00	\$293.00
502	Consult	Gasket, conductive	1	100-063-0701-00	Consult
503	186534	Accessory, clamp, shield, 3 mm ID	1	000-135-7195-06	\$5.00
504	Consult	Filter, ferrite	1	100-046-7203-00	Consult
505	186547	Filter, ferrite	1	000-044-2730-09	\$11.00
601	225584	Harness, C2, weigh communication	1	100-060-2274-01	\$113.00
602	225585	Harness, C2, weigh	1	000-135-2782-04	\$94.00
999*	225586	Infeed arm assembly USA (maintenance parts)	1	100-064-0897-00	\$609.00

Ishida WM-Micro

Infeed Unit



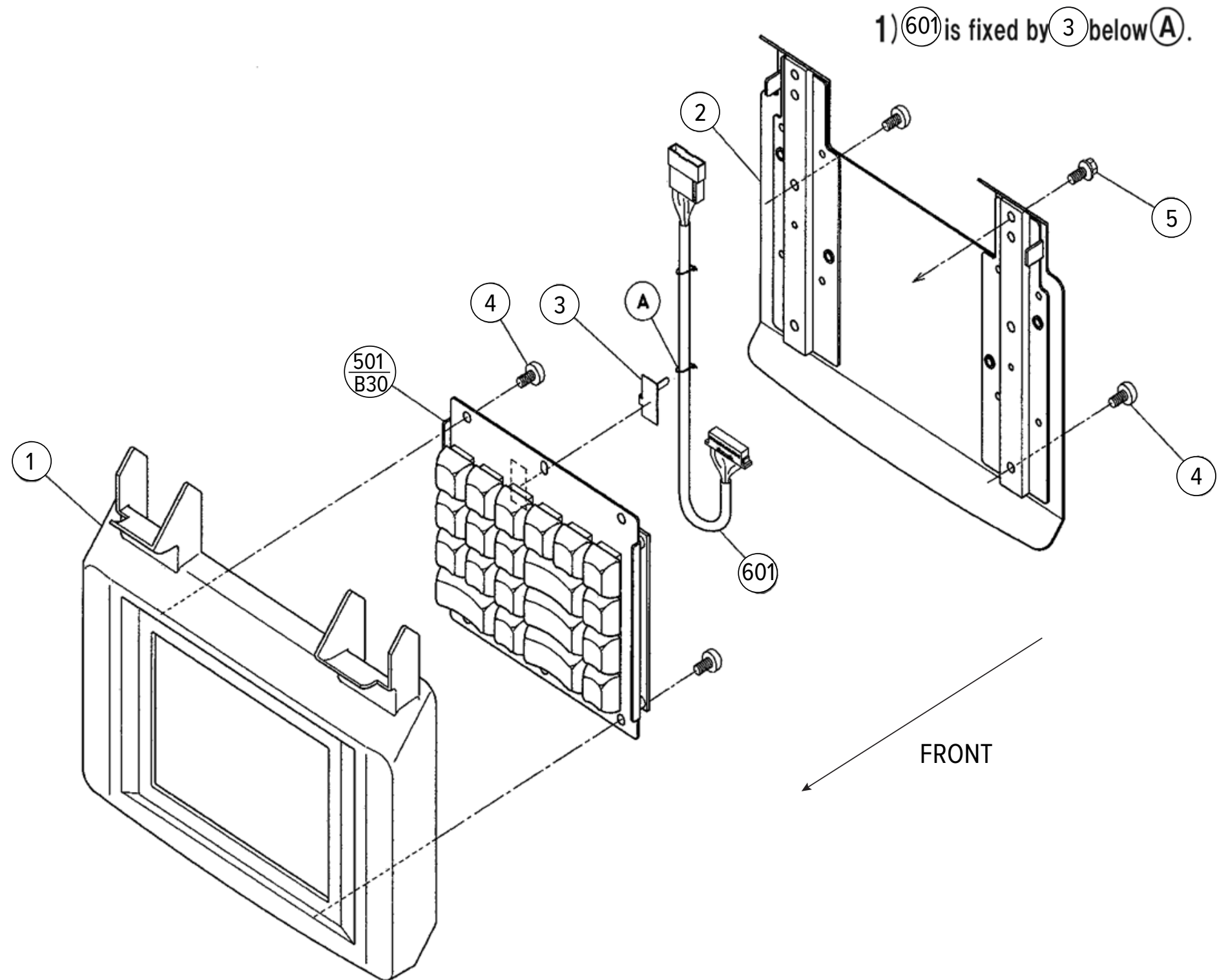
Key Unit

Part Number/Price

REF #	PART #	DESCRIPTION	QTY	SYNONYM	PRICE
1	225652	Case key, plastic, front	1	100-038-5112-00	\$21.00
2	Consult	Key, rear assembly	1	000-072-8744-32	Consult
3	Consult	Accessory, clamp, cable sticker	1	000-002-5711-08	Consult
4	189338	Screw, M4 x 10 mm, tapping, cross/pan head, sst	8	000-072-8767-01	\$2.00
5	200514	Screw, M4-0.7 x 10 mm, cross/hex head, flat and lock	4	000-014-3997-02	\$2.00
501	171884	Key board unit, 10 key	1	100-001-2013-00	\$190.00
601	189318	Harness, C2, key	1	100-002-3216-01	\$13.00
999	98400	Option, cover, 10 keypad	1	000-092-8430-13	\$66.00

Ishida WM-Micro

Key Unit



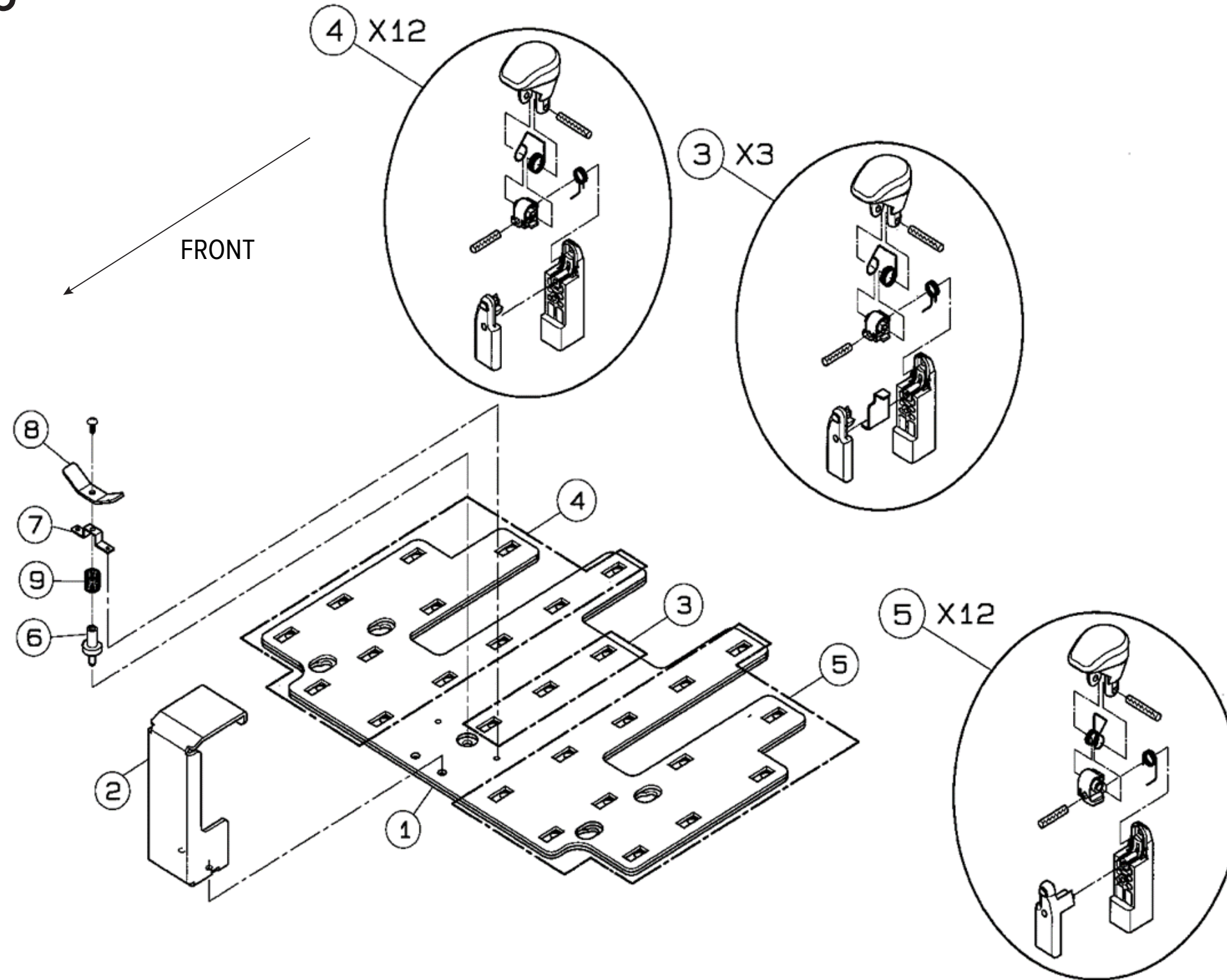
Lift Head

Part Number/Price

REF #	PART #	DESCRIPTION	QTY	SYNONYM	PRICE
1	Consult	Plate B, lifthead	1	000-132-6459-31	Consult
2	Consult	Guide, lift, transfer	1	000-142-6290-01	Consult
3	125697	Lift head assembly, center	3	000-112-6761-01	\$32.00
4	125698	Lift head assembly, left	12	000-112-6763-08	\$30.00
5	125699	Lift head assembly, right	12	000-112-6764-01	\$30.00
6	157846	Shaft, lift, fixed	1	000-101-1727-10	\$13.00
7	157844	Bracket, lift, fixed	1	000-116-1863-08	\$15.00
8	157845	Plate, lift head	1	000-116-1864-01	\$15.00
9	157847	Spring coil, compressive	1	000-098-3135-01	\$6.00
—	159701	Screw, tapping, M4 x 14 mm, cross/flat head, sst (use for #3, #4, #5)	27	000-090-0595-01	\$2.00

Ishida WM-Micro

Lift Head



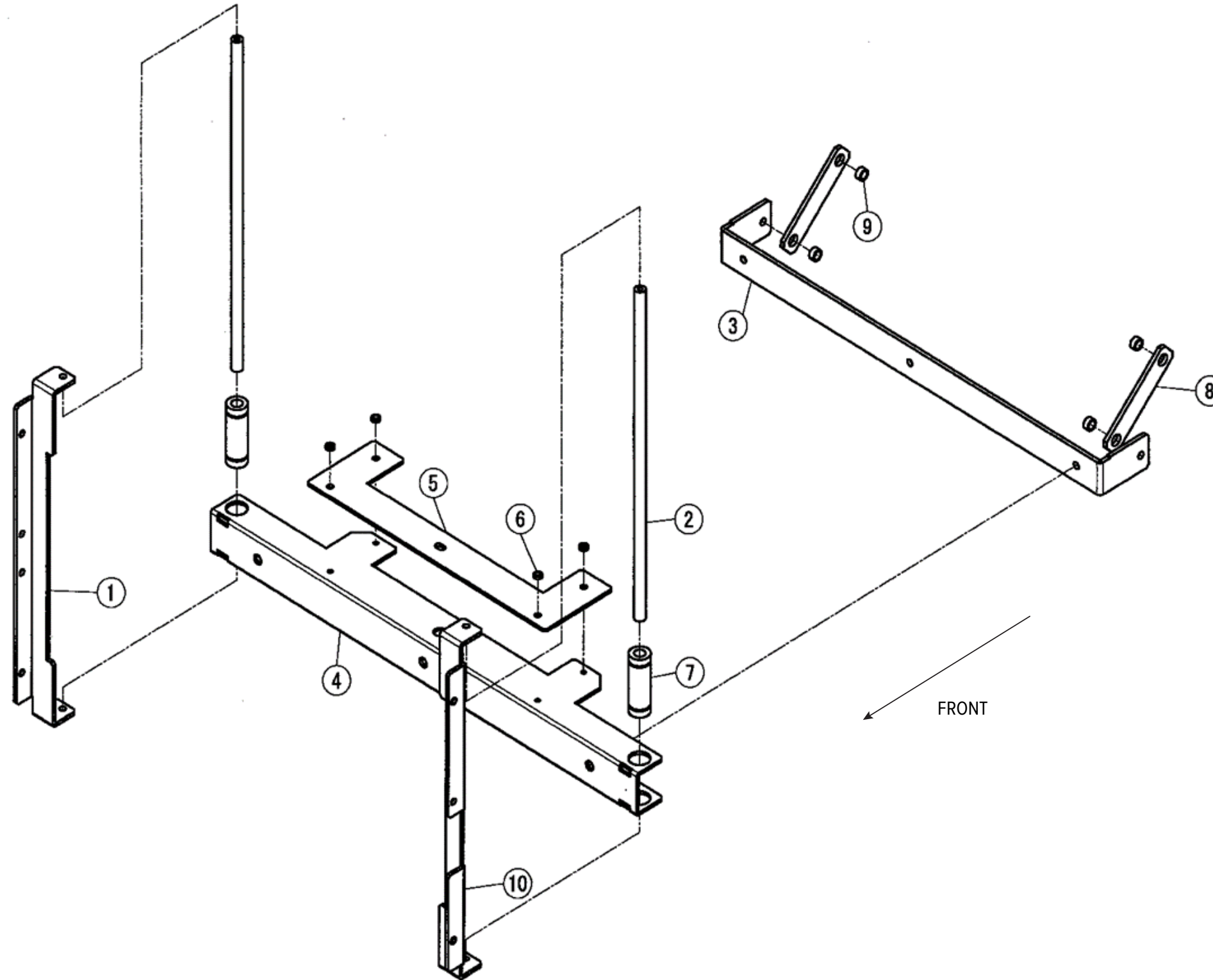
Lift Unit

Part Number/Price

REF #	PART #	DESCRIPTION	QTY	SYNONYM	PRICE
1	Consult	Bracket, linear	1	000-132-6456-30	Consult
2	168314	Shaft, linear, SST	2	000-079-3207-04	\$55.00
3	Consult	Stay, drive, lift	1	000-132-6457-15	Consult
4	Consult	Base lift	1	100-055-1477-00	Consult
5	177954	Plate B, spacer, lift	1	000-136-3941-02	\$17.00
6	180618	Collar, lift head	4	000-076-9554-16	\$3.00
7	Consult	Bearing, linear bush	2	000-062-9783-05	Consult
8	Consult	Link	2	000-132-6346-15	Consult
9	225536	Collar, bushing, SST	4	000-035-0845-04	\$8.00
10	Consult	Bracket, linear R	1	000-138-2195-00	Consult

Ishida WM-Micro

Lift Unit



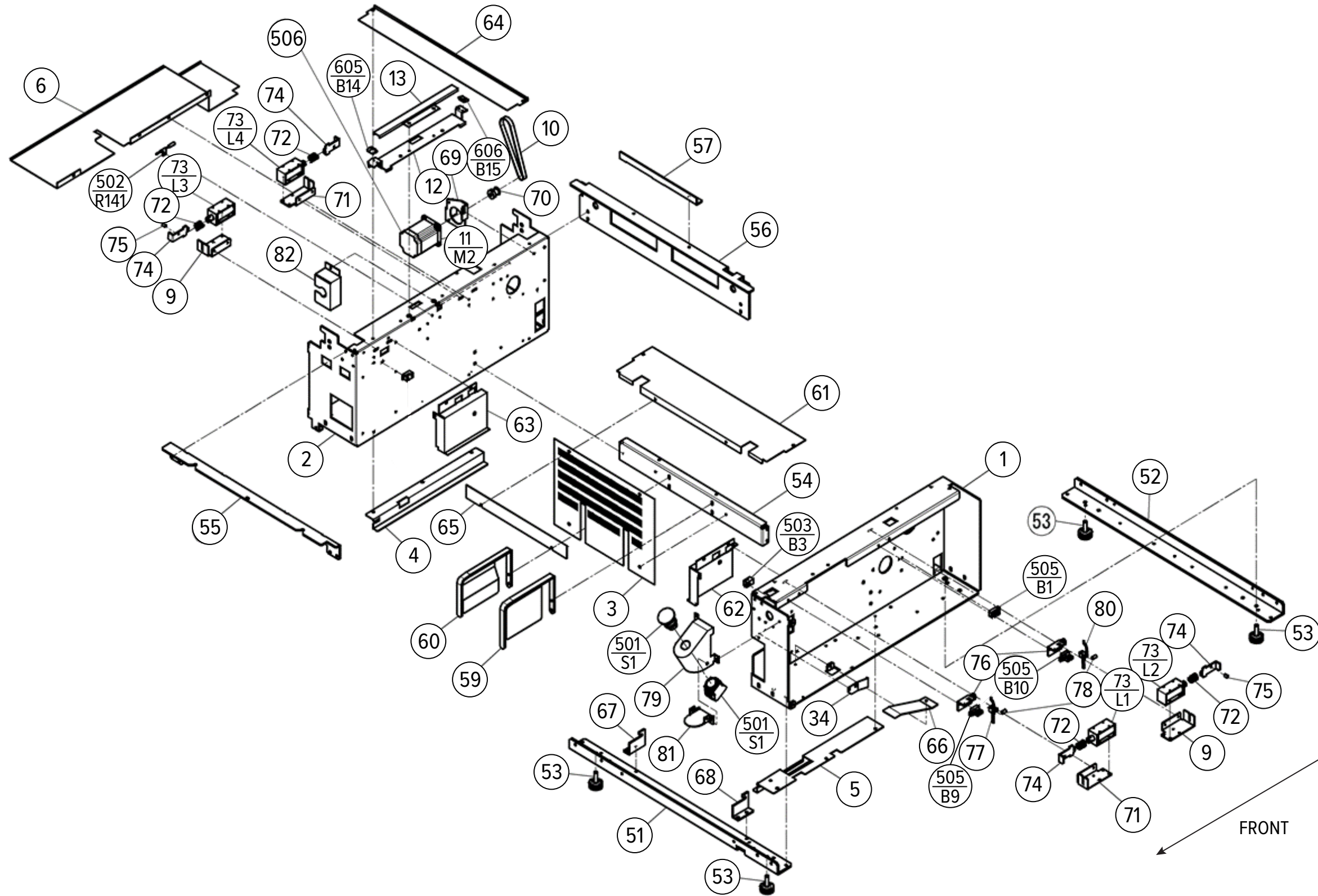
Main Body Unit

Part Number/Price

REF #	PART #	DESCRIPTION	QTY	SYNONYM	PRICE
1	Consult	Frame, side right	1	100-060-1932-02	Consult
2	Consult	Frame, side left	1	100-055-8702-03	Consult
3	Consult	Cover panel, inside heater	1	000-135-4670-26	Consult
4	Consult	Guide left	1	100-055-8436-00	Consult
5	Consult	Guide right	1	100-055-8444-02	Consult
6	Consult	Cover wiring, left	1	100-059-8917-02	Consult
9	Consult	Bracket, solenoid, side	2	000-136-3945-23	Consult
10	179667	Timing belt, S3M	1	000-041-2526-03	\$20.00
11	125714	Motor assembly stepping, film feed (A2)	1	000-137-0538-19	\$405.00
12	Consult	Bracket, sensor left	1	000-142-6111-16	Consult
13	Consult	Cover, sensor left	1	000-142-6110-03	Consult
34	Consult	Stopper, rotation inside	1	100-062-9235-01	Consult
51	Consult	Stay, main body front	1	100-056-0941-02	Consult
52	Consult	Stay, main body right	1	100-055-8472-02	Consult
53	174431	Foot, leveling, adjustable, M8-1.25 x 27 mm	4	000-001-4902-02	\$8.00
54	Consult	Stay, guide tray	1	100-055-8448-00	Consult
55	Consult	Stay, front	1	100-058-1074-01	Consult
56	Consult	Stay, rear USA	1	100-058-1075-03	Consult
57	Consult	Guide, positioning, upper unit	1	000-135-4659-24	Consult
59	Consult	Guide, tray	1	000-137-8077-35	Consult
60	Consult	Guide, tray	1	000-137-8078-39	Consult
61	Consult	Cover, inside upper	1	100-055-8450-00	Consult
62	185555	Cover, inside right, stainless steel	1	000-132-6283-60	\$37.00
63	185556	Cover, inside left, stainless steel	1	000-132-6284-63	\$37.00
64	Consult	Cover front	1	100-055-8452-00	Consult
65	Consult	Cover, protect rear	1	000-137-0579-02	Consult
66	Consult	Guide, link feed	1	000-137-0569-04	Consult
67	Consult	Stay, weigh	1	000-135-4645-04	Consult
68	Consult	Stay, weigh	1	000-135-4646-08	Consult
69	Consult	Bracket, mortar, stepping	1	000-135-4860-18	Consult
70	203918	Timing pulley, S3M, C	1	000-138-5877-07	\$59.00
71	Consult	Bracket, solenoid center	2	000-136-3944-11	Consult
72	157782	Spring coil, compress, 14 mm long, 15 mm	4	000-064-0192-06	\$3.00
73	172544	Solenoid assembly, film clamp, 40W (L1, L2, L3, L4)	4	100-000-8505-00	\$41.00
74	Consult	Link, solenoid	4	100-062-5503-01	Consult
75	Consult	Collar	2	000-017-6857-07	Consult
76	225527	Bracket, sensor	2	000-135-2566-15	\$13.00
77	225528	Flag, actuator, sensor	1	000-135-2567-56	\$18.00
78	225529	Collar, bushing SST	2	000-017-6858-01	\$10.00
79	Consult	Bracket, safety switch	1	100-060-7252-01	Consult
80	225530	Actuator sensor	1	000-144-0863-08	\$20.00
81	Consult	Cover, safety switch, under	1	100-062-7884-00	Consult
82	Consult	Bracket, lock	1	100-059-4117-03	Consult
501	72899	Switch, push emergency stop (S1)	1	000-064-9296-02	\$74.00
502	172632	Thermistor assembly fan heater right, 3.3K ohm (R141)	1	000-111-8426-11	\$29.00
503	125711	Photo interrupter, sensor, transmitter, high volume, right (B3)	1	000-112-9768-07	\$11.00
504	125712	Photo interrupter, sensor, receiver, high volume, left (B6)	1	000-112-9769-01	\$27.00
505	104239	Photo interrupter trans, lift home and film over, white conn. (B1, B9, B10)	3	000-070-5204-14	\$12.00
506	Consult	Accessory, band, marking	1	000-135-0340-04	Consult
602	225531	Harness, C10, solenoid	1	100-061-7383-00	\$295.00
604	225532	Harness, C5, emergency	1	100-058-9053-00	\$43.00
605	225533	Sensor assembly, film presence, front (B14)	1	000-144-0992-04	\$152.00
606	225534	Sensor assembly, film presence, rear (B15)	1	000-144-0993-08	\$152.00

Ishida WM-Micro

Main Body Unit



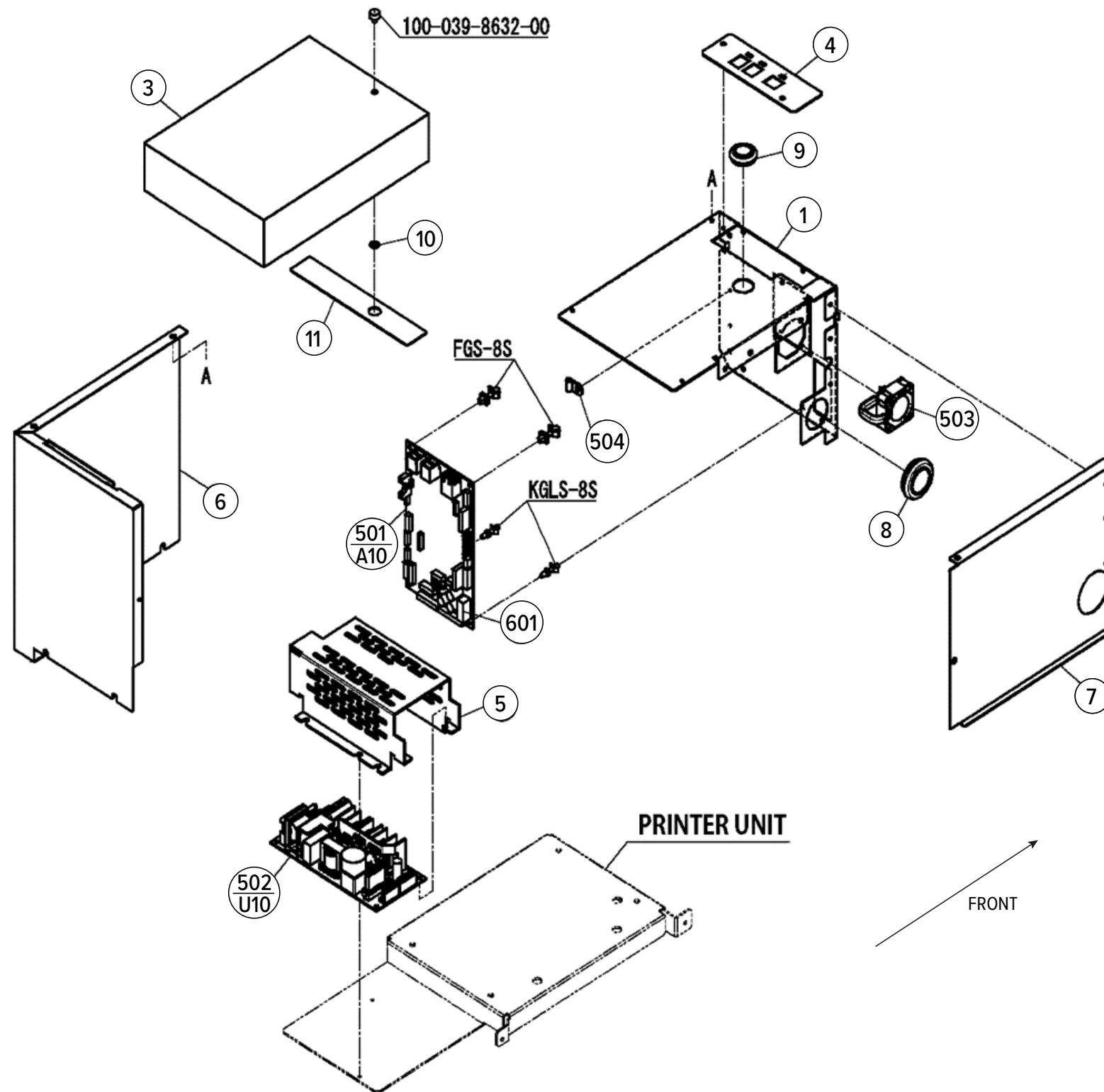
Main Control Unit

Part Number/Price

REF #	PART #	DESCRIPTION	QTY	SYNONYM	PRICE
1	Consult	Base, control	1	100-058-8184-02	Consult
3	225653	Cover, panel, control unit, sst, top	1	100-058-2462-02	\$161.00
4	Consult	Plate B, connector	1	100-038-8884-00	Consult
5	Consult	Chassis, power supply	1	000-149-6873-03	Consult
6	225654	Cover, panel, control unit, sst, outer	1	100-060-7659-01	\$136.00
7	Consult	Cover, control unit, sst, inside	1	100-060-7654-02	Consult
8	225655	Grommet, rubber, w/diaphragm	1	000-006-7008-09	\$3.00
9	225656	Grommet, rubber, w/diaphragm	1	000-000-3972-01	\$3.00
10	186377	Washer, white backing	1	000-015-0783-09	\$2.00
11	225657	Gasket, sheet, adhesive	1	100-062-4898-00	\$22.00
501	225658	PWB, P-1180, B, CPU (A10)	1	100-053-1958-01	\$1,939.00
502	171862	Power supply, switching, LFP150F-24-J1Y (U10)	1	000-148-4466-05	\$130.00
503	172639	Fan assembly	1	100-000-6996-00	\$110.00
504	Consult	Accessory, clamp, shield	1	100-010-2576-00	Consult
601	225659	Harness, C2, power DC	1	100-061-4528-00	\$34.00

Ishida WM-Micro

Main Control Unit



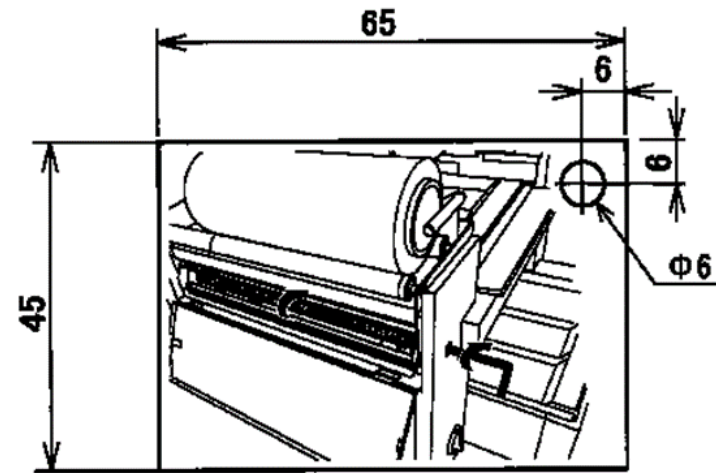
Maintenance Unit - Common

Part Number/Price

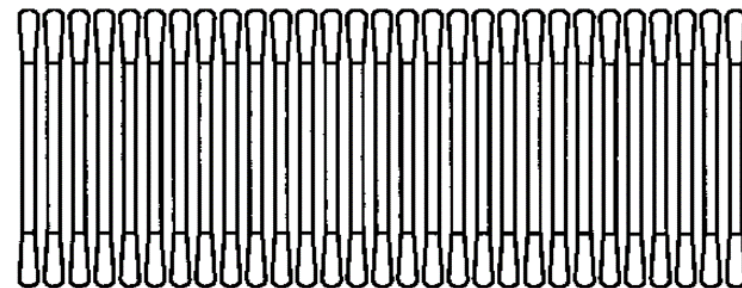
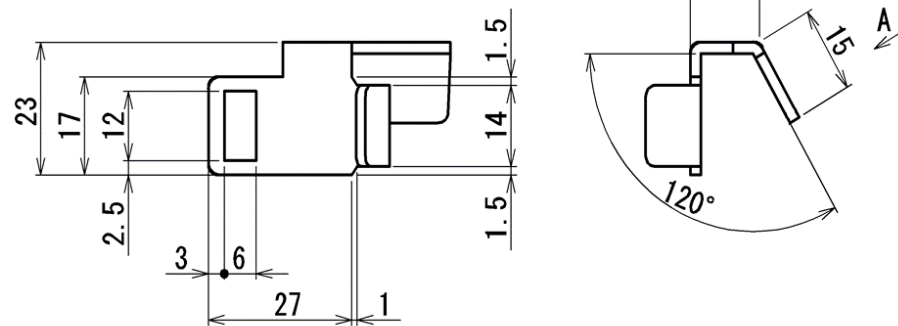
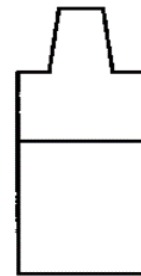
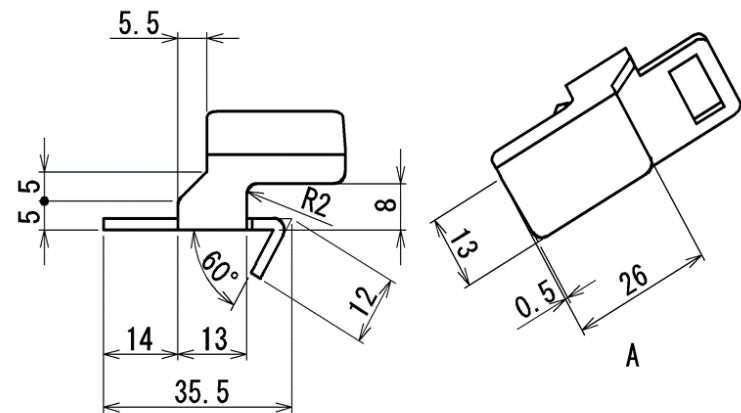
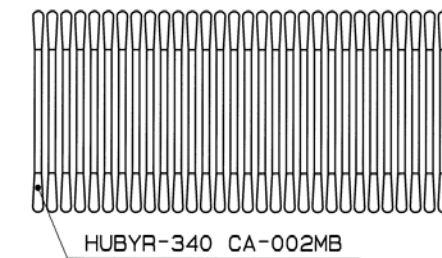
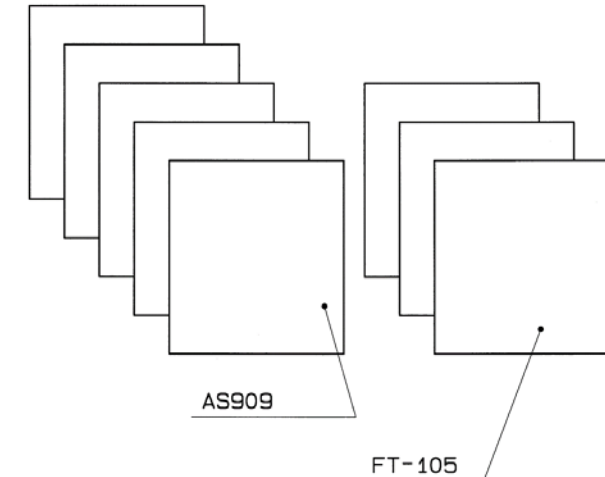
REF #	PART #	DESCRIPTION	QTY	SYNONYM	PRICE
2	91178	Seal, rivet	3	000-040-9585-01	\$11.00
6	Consult	Maintenance, case, alcohol	1	100-055-3300-00	Consult
8	Consult	Spacer, printer, front	1	100-003-3167-01	Consult

Ishida WM-Micro

Maintenance Unit - Common



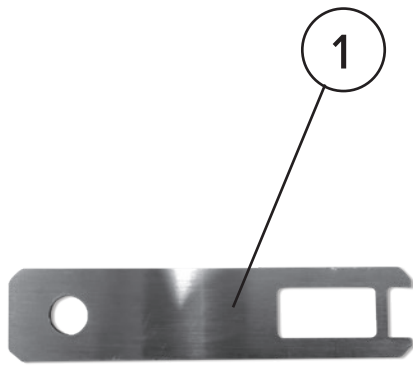
40-9585-01	A = 21
39-4006-00	A = 18
40-9584-08	A = 16



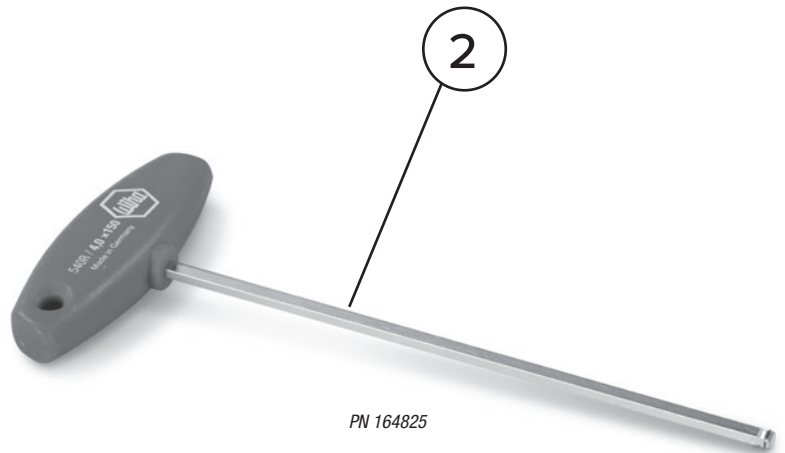
Maintenance Unit - USA

Part Number/Price

REF #	PART #	DESCRIPTION	QTY	SYNONYM	PRICE
1	95540	Service key, door safety interlock bypass	3	113-7072-09	\$38.00
2	164825	T-handle wrench, 4mm ball end	1	100-037-6670-00	\$17.00
999	Consult	Accessory, bush, nylon	1	100-046-0575-00	Consult
999	164825	Driver, hex, T type	1	100-037-6670-00	\$17.00
999	203091	Cover, seal	1	000-138-2118-02	\$22.00
999	42735	Seal, wire	1	000-022-3922-09	\$3.00
999	41811	Screw, tapped, sealing, M4-0.7 x 6 mm, hex head, B	2	000-005-4497-09	\$12.00
999	Consult	Maintenance, cleaning kit, linerless	1	000-144-0517-10	Consult
999	121077	Cover, washdown, plastic	1		\$119.00
999	227023	Option, anti-static kit	1		\$160.00



PN 95540



PN 164825

Linerless Printer Unit

Part Number/Price

REF #	PART #	DESCRIPTION	QTY	SYNONYM	PRICE
1	Consult	Bracket, printer	1	000-091-2439-44	Consult
2	96434	Bracket, head	1	000-066-4253-18	\$30.00
3	96440	Cover, tear bar plate, head	1	000-075-5776-14	\$10.00
4	96437	Plate A, spring, support	1	000-066-4250-08	\$4.00
5	Consult	Stay, head, thermal	1	000-066-4261-09	Consult
6	96435	Spring, coil, compress	1	000-096-9830-03	\$3.00
7	96436	Spring, coil, compressive	2	000-096-9831-07	\$3.00
8	Consult	Plate assembly, peeling pole	1	000-075-5777-09	Consult
9	Consult	Shaft, step type, printer	2	000-091-2440-11	Consult
10	Consult	Lever, lock, head	1	000-120-5818-01	Consult
11	Consult	Cover, lever	1	000-072-5070-08	Consult
12	Consult	Bilck B, hold, head	1	000-077-4704-08	Consult
13	Consult	Collar, spacer	3	000-034-2340-01	Consult
14	Consult	Shaft, lever, head	1	000-091-8532-13	Consult
15	225621	Spring, coil	1	000-091-2441-24	\$19.00
16	226298	Roller, printer, front	1	000-113-7308-25	\$100.00
17	226299	Roller, print, rear	1	000-113-7311-27	\$97.00
18	Consult	Frame, printer	1	000-091-2443-31	Consult
19	93355	Bushing	4	000-064-0201-24	\$5.00
20	Consult	Shaft, print	2	000-091-8528-08	Consult
21	Consult	Frame, assembly	1	100-058-2589-01	Consult
22	Consult	Frame, printer, right	1	000-119-7957-17	Consult
23	187456	Collar, label	6	000-079-8952-04	\$3.00
24	Consult	Bracket, assist, upper	1	000-093-1678-49	Consult
25	187440	Spring, coil	1	000-078-0821-12	\$6.00
26	187446	Spring, coil, compressive	4	000-072-5278-14	\$5.00
27	187447	Roller, assist	1	000-069-4967-06	\$20.00
28	187438	Collar, spacer	8	000-059-4384-06	\$2.00
29	187433	Shaft, roller	2	000-044-3821-17	\$9.00
30	195782	Bracket, assist	2	000-078-0818-01	\$4.00
31	Consult	Shaft, assist, upper	1	000-091-8582-28	Consult
32	110525	Roller	1	000-060-8956-04	\$37.00
33	195784	Plate A, holder	1	000-136-3565-03	\$5.00
34	197601	Spring, coil, compressive	4	000-072-8615-17	\$4.50
35	Consult	Bracket, assist, lower	1	000-091-2447-35	Consult
36	Consult	Lever, assist, lower	1	000-091-2448-57	Consult
37	Consult	Shaft, lever, assist	1	000-091-8534-29	Consult
38	Consult	Spring, plate, lever	1	000-091-2449-14	Consult
39	Consult	Shaft, step type, assist	1	000-091-8531-37	Consult
40	187453	Guide, label	2	000-068-5048-46	\$9.00
41	178189	Shaft, label, spacer	1	100-008-8473-00	\$13.00
42	187454	Roller, guide	1	000-078-0991-03	\$4.00
43	225622	Bracket, guide, label	1	000-078-0826-11	\$7.00
47	Consult	Bracket, motor, stepping	1	000-135-2932-15	Consult
48	225623	Timing pulley, XL, AF	1	000-000-6546-09	\$10.00
49	225624	Timing belt, XL	1	000-113-7379-01	\$9.00
50	225625	Timing pulley, XL, AF	2	000-094-0232-09	\$33.00
51	216080	Bearing, radial, sst	2	000-023-6398-04	\$8.00
52	Consult	Collar	1	000-117-6726-06	Consult
53	225554	Timing pulley, XL	1	000-063-8346-04	\$13.00
54	Consult	Shaft, fulcrum, drive	1	100-056-6066-00	Consult
55	Consult	Bracket, fulcrum, drive	1	100-056-6073-01	Consult
56-1	225626	Holder, label roll	1	100-045-3145-02	\$32.00
56-2	181136	Guide, label roll	1	000-138-1555-03	\$24.00
56-3	181137	Stopper, guide, label roll	1	000-138-1558-04	\$24.00
63	187457	Timing pulley, S3M, C	2	000-073-7220-04	\$24.00
64	225627	Gear, flat	1	000-112-6672-02	\$9.00

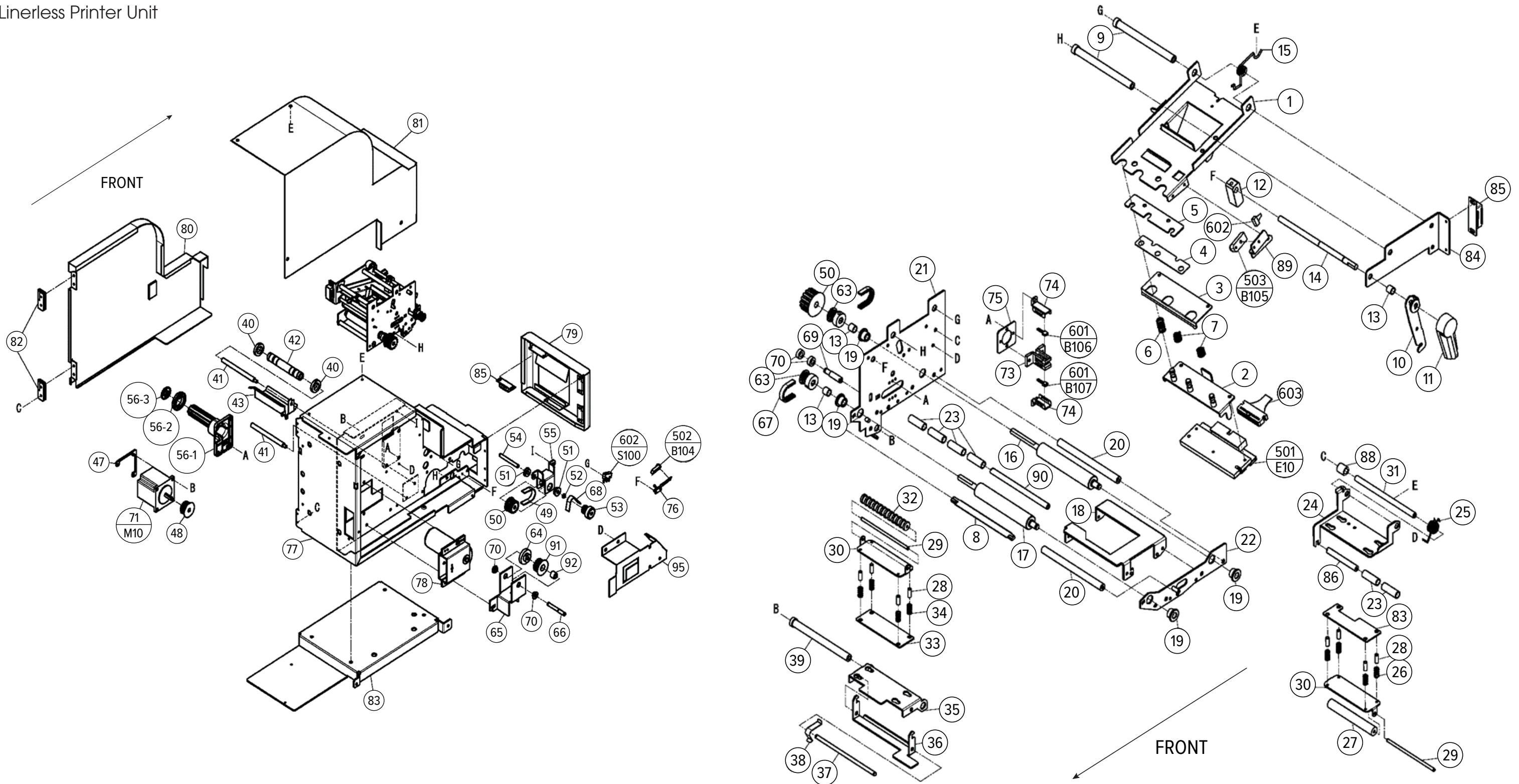
Linerless Printer Unit

Part Number/Price

REF #	PART #	DESCRIPTION	QTY	SYNONYM	PRICE
65	Consult	Bracket, motor, rolling	1	000-091-2454-50	Consult
66	Consult	Shaft, pulley, rolling	1	000-122-7695-01	Consult
67	125887	Timing belt, CP-S3M	1	000-139-2517-02	\$15.00
68	225628	Timing belt, XL	1	100-063-9393-00	\$39.00
69	187459	Shaft, idler	1	000-078-0831-10	\$9.00
70	172643	Bearing, radial	2	000-065-6920-00	\$4.00
71	172640	Motor assembly, stepping (M10)	1	000-111-5669-19	\$84.00
72	Consult	Bush, flange	2	000-075-5772-01	Consult
73	225629	Holder, gap sensor	1	000-000-6204-05	\$3.00
74	225630	Bracket, case, gap sensor, upper, lower	2	000-094-2917-03	\$14.00
75	225631	Plate A, mounting, gap sensor holder	1	000-091-2456-11	\$9.00
76	Consult	Bracket, exfoliation, left	1	000-091-2457-41	Consult
77	Consult	Frame, printer	1	100-059-4092-04	Consult
78	178220	Winding unit assembly	1	100-011-7204-00	\$108.00
79	225632	Cover, panel, printer, sst, front	1	100-056-6371-02	\$235.00
80	225633	Cover, panel, door, printer, sst, side right	1	100-059-4093-03	\$243.00
81	225634	Cover, panel, printer, sst, top, side, left	1	100-059-4094-03	\$520.00
82	84052	Hinge, right	2	000-000-9360-04	\$14.00
83	Consult	Base, printer	1	100-058-3326-03	Consult
84	Consult	Frame, hold, head	1	000-127-9160-10	Consult
85	47172	Catch, magnet	2	000-000-3931-09	\$8.00
86	Consult	Shaft, hold, label	1	000-071-4559-38	Consult
87	Consult	Plate B, holder	1	000-094-0256-26	Consult
88	Consult	Bush, bear fight	1	000-094-0208-09	Consult
89	225635	Bracket, peel sensor, right	1	000-094-0102-17	\$17.00
90	Consult	Shaft, guide, label	1	000-119-7959-05	Consult
91	225636	Timing pulley, XL, AF	1	000-120-5804-08	\$27.00
92	225637	Clutch, one way	1	000-057-7083-01	\$25.00
95	Consult	Guide, harness	1	100-060-7664-01	Consult
501	171875	Print head, thermal, (E10)	1	100-010-2669-01	\$426.00
502	171876	Photo interrupter trans, peel sensor, left (B104)	1	000-112-1169-16	\$17.00
503	171877	Photo interrupter, trans, receive, peel sensor, right (B105)	1	000-112-1170-11	\$16.00
601	225638	Sensor assembly, label gap sensor (B106, B107)	1	100-048-5437-01	\$114.00
602	225639	Sensor assembly, label gap and head up, (B104, B105, S100)	1	100-010-8546-00	\$164.00
603	225640	Harness, C2, thermal head	1	100-023-7329-02	\$206.00
604	225641	Harness, C2, sensor	1	100-046-4762-00	\$77.00
605	225642	Harness, C2, motor	1	100-018-3430-00	\$61.00

Ishida WM-Micro

Linerless Printer Unit



Printer Unit

Part Number/Price

REF #	PART #	DESCRIPTION	QTY	SYNONYM	PRICE
1	Consult	Bracket, printer	1	000-091-2439-44	Consult
2	96434	Bracket, head	1	000-066-4253-18	\$30.00
3	96440	Cover, tear bar plate, head	1	000-075-5776-14	\$10.00
4	96437	Plate A, spring, support	1	000-066-4250-08	\$4.00
5	Consult	Stay, head, thermal	1	000-066-4261-09	Consult
6	96435	Spring, coil, compress	1	000-096-9830-03	\$3.00
7	96436	Spring, coil, compressive	2	000-096-9831-07	\$3.00
8	Consult	Plate assembly, peeling pole	1	000-075-5777-09	Consult
9	Consult	Shaft, step type, printer	2	000-091-2440-11	Consult
10	Consult	Lever, lock, head	1	000-120-5818-01	Consult
11	Consult	Cover, lever	1	000-072-5070-08	Consult
12	Consult	Bilck B, hold, head	1	000-077-4704-08	Consult
13	Consult	Collar, spacer	3	000-034-2340-01	Consult
14	Consult	Shaft, lever, head	1	000-091-8532-13	Consult
15	225621	Spring, coil	1	000-091-2441-24	\$19.00
16	226298	Roller, printer, front	1	000-113-7308-25	\$100.00
17	226299	Roller, print, rear	1	000-113-7311-27	\$97.00
18	Consult	Frame, printer	1	000-091-2443-31	Consult
19	93355	Bushing	4	000-064-0201-24	\$5.00
20	Consult	Shaft, print	2	000-091-8528-08	Consult
21	Consult	Frame, assembly	1	100-058-2589-01	Consult
22	Consult	Frame, printer, right	1	000-119-7957-17	Consult
23	187456	Collar, label	6	000-079-8952-04	\$3.00
24	Consult	Bracket, assist, upper	1	000-093-1678-49	Consult
25	187440	Spring, coil	1	000-078-0821-12	\$6.00
26	187446	Spring, coil, compressive	4	000-072-5278-14	\$5.00
27	187447	Roller, assist	1	000-069-4967-06	\$20.00
28	187438	Collar, spacer	8	000-059-4384-06	\$2.00
29	187433	Shaft, roller	2	000-044-3821-17	\$9.00
30	195782	Bracket, assist	2	000-078-0818-01	\$4.00
31	Consult	Shaft, assist, upper	1	000-091-8582-28	Consult
32	110525	Roller	1	000-060-8956-04	\$37.00
33	195784	Plate A, holder	1	000-136-3565-03	\$5.00
34	197601	Spring, coil, compressive	4	000-072-8615-17	\$4.50
35	Consult	Bracket, assist, lower	1	000-091-2447-35	Consult
36	Consult	Lever, assist, lower	1	000-091-2448-57	Consult
37	Consult	Shaft, lever, assist	1	000-091-8534-29	Consult
38	Consult	Spring, plate, lever	1	000-091-2449-14	Consult
39	Consult	Shaft, step type, assist	1	000-091-8531-37	Consult
40	187453	Guide, label	2	000-068-5048-46	\$9.00
41	178189	Shaft, label, spacer	1	100-008-8473-00	\$13.00
42	187454	Roller, guide	1	000-078-0991-03	\$4.00
43	225622	Bracket, guide, label	1	000-078-0826-11	\$7.00
47	Consult	Bracket, motor, stepping	1	000-135-2932-15	Consult
48	225623	Timing pulley, XL, AF	1	000-000-6546-09	\$10.00
49	225624	Timing belt, XL	1	000-113-7379-01	\$9.00
50	225625	Timing pulley, XL, AF	2	000-094-0232-09	\$33.00
51	216080	Bearing, radial, sst	2	000-023-6398-04	\$8.00
52	Consult	Collar	1	000-117-6726-06	Consult
53	225554	Timing pulley, XL	1	000-063-8346-04	\$13.00
54	Consult	Shaft, fulcrum, drive	1	100-056-6066-00	Consult
55	Consult	Bracket, fulcrum, drive	1	100-056-6073-01	Consult
56-1	225626	Holder, label roll	1	100-045-3145-02	\$32.00
56-2	181136	Guide, label roll	1	000-138-1555-03	\$24.00
56-3	181137	Stopper, guide, label roll	1	000-138-1558-04	\$24.00
63	187457	Timing pulley, S3M, C	2	000-073-7220-04	\$24.00
64	225627	Gear, flat	1	000-112-6672-02	\$9.00

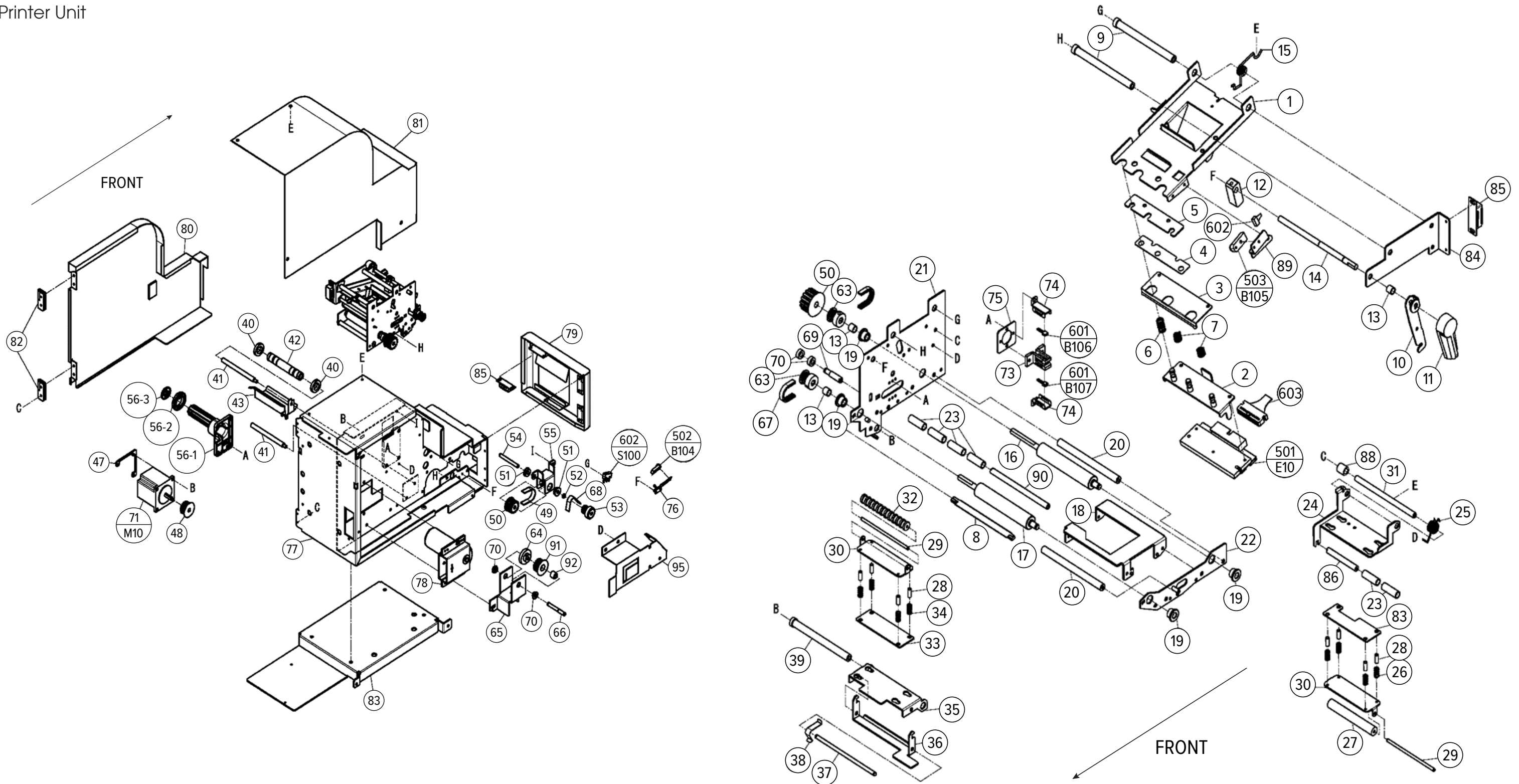
Printer Unit

Part Number/Price

REF #	PART #	DESCRIPTION	QTY	SYNONYM	PRICE
65	Consult	Bracket, motor, rolling	1	000-091-2454-50	Consult
66	Consult	Shaft, pulley, rolling	1	000-122-7695-01	Consult
67	125887	Timing belt, CP-S3M	1	000-139-2517-02	\$15.00
68	225628	Timing belt, XL	1	100-063-9393-00	\$39.00
69	187459	Shaft, idler	1	000-078-0831-10	\$9.00
70	172643	Bearing, radial	2	000-065-6920-00	\$4.00
71	172640	Motor assembly, stepping (M10)	1	000-111-5669-19	\$84.00
72	Consult	Bush, flange	2	000-075-5772-01	Consult
73	225629	Holder, gap sensor	1	000-000-6204-05	\$3.00
74	225630	Bracket, case, gap sensor, upper, lower	2	000-094-2917-03	\$14.00
75	225631	Plate A, mounting, gap sensor holder	1	000-091-2456-11	\$9.00
76	Consult	Bracket, exfoliation, left	1	000-091-2457-41	Consult
77	Consult	Frame, printer	1	100-059-4092-04	Consult
78	178220	Winding unit assembly	1	100-011-7204-00	\$108.00
79	225632	Cover, panel, printer, sst, front	1	100-056-6371-02	\$235.00
80	225633	Cover, panel, door, printer, sst, side right	1	100-059-4093-03	\$243.00
81	225634	Cover, panel, printer, sst, top, side, left	1	100-059-4094-03	\$520.00
82	84052	Hinge, right	2	000-000-9360-04	\$14.00
83	Consult	Base, printer	1	100-058-3326-03	Consult
84	Consult	Frame, hold, head	1	000-127-9160-10	Consult
85	47172	Catch, magnet	2	000-000-3931-09	\$8.00
86	Consult	Shaft, hold, label	1	000-071-4559-38	Consult
87	Consult	Plate B, holder	1	000-094-0256-26	Consult
88	Consult	Bush, bear fight	1	000-094-0208-09	Consult
89	225635	Bracket, peel sensor, right	1	000-094-0102-17	\$17.00
90	Consult	Shaft, guide, label	1	000-119-7959-05	Consult
91	225636	Timing pulley, XL, AF	1	000-120-5804-08	\$27.00
92	225637	Clutch, one way	1	000-057-7083-01	\$25.00
95	Consult	Guide, harness	1	100-060-7664-01	Consult
501	171875	Print head, thermal, (E10)	1	100-010-2669-01	\$426.00
502	171876	Photo interrupter trans, peel sensor, left (B104)	1	000-112-1169-16	\$17.00
503	171877	Photo interrupter, trans, receive, peel sensor, right (B105)	1	000-112-1170-11	\$16.00
601	225638	Sensor assembly, label gap sensor (B106, B107)	1	100-048-5437-01	\$114.00
602	225639	Sensor assembly, label gap and head up, (B104, B105, S100)	1	100-010-8546-00	\$164.00
603	225640	Harness, C2, thermal head	1	100-023-7329-02	\$206.00
604	225641	Harness, C2, sensor	1	100-046-4762-00	\$77.00
605	225642	Harness, C2, motor	1	100-018-3430-00	\$61.00

Ishida WM-Micro

Printer Unit



Wrapping Unit

Part Number/Price

REF #	PART #	DESCRIPTION	QTY	SYNONYM	PRICE
1	172529	Shaft, step, right fold	3	000-133-8305-09	\$72.00
2	172528	Holder, shaft	2	000-135-7081-05	\$3.00
3	Consult	Guide, tray	1	100-055-2609-00	Consult
4	Consult	Stay, discharge	1	100-055-3442-01	Consult
5	153650	Stay, insulator	1	000-135-2815-41	\$28.00
6	225552	Block A, heater	1	100-059-5031-01	\$80.00
8	153653	Washer, thrust	1	000-073-7143-10	\$9.00
9*	Consult	Bush	2	000-070-5375-09	Consult
10*	Consult	Roller, rotation, seal heater	1	000-131-1661-31	Consult
12	Consult	Plate B, heater	1	100-057-7945-01	Consult
21	Consult	Frame, rear	1	100-057-0538-03	Consult
22	Consult	Stay, frame	1	100-055-2620-01	Consult
23	Consult	Stay, upper	1	100-055-3427-01	Consult
24	Consult	Shaft, fulcrum	1	000-135-2933-00	Consult
25	Consult	Bracket, pulley assembly	1	100-059-3815-00	Consult
26	192102	Bearing, radial	2	000-001-6068-02	\$17.00
27	225553	Timing pulley, S3M, A	1	000-138-5875-00	\$84.00
28	225554	Timing pulley, XL	1	000-063-8346-04	\$13.00
29	45160	Collar, washer	2	000-002-8254-03	\$2.00
30	203251	Shaft, bearing	2	000-108-0297-39	\$8.00
31	172607	Pulley, tension	2	000-111-8488-03	\$12.00
32	225555	Timing belt, xl	1	100-055-2872-00	\$50.00
33	225556	Shaft, linear, bearing, side folder	2	100-055-2607-00	\$131.00
34	203252	Stay, fold, right	1	000-135-2681-20	\$13.00
35	203253	Holder, belt	1	000-135-2909-00	\$4.00
36	203254	Stay, fold, left	1	000-135-2910-13	\$11.00
37	173743	Holder, belt	1	000-136-3545-09	\$3.00
38	161661	U plate B, detect	1	000-135-2911-35	\$10.00
39	167403	Housing, linear	4	000-057-0390-00	\$14.00
40	167404	Bearing liner bush	8	000-028-1515-01	\$34.00
41	Consult	Stay, linear shaft	1	000-135-2951-07	Consult
42	Consult	L plate B, R	1	100-055-2610-00	Consult
43	Consult	Rail guide	1	000-135-2592-03	Consult
44	Consult	Block B, slide pusher	2	000-111-8459-06	Consult
45	Consult	Housing F, S	2	000-076-1759-04	Consult
46	157899	Bearing, linear bush	4	000-068-5132-00	\$21.00
49	Consult	Stay, drive pusher	1	100-055-2606-01	Consult
50	Consult	Frame, pusher	1	000-144-5773-21	Consult
51	171609	Pusher, discharge clear, short right	1	000-144-5708-10	\$50.00
52	171610	Pusher, discharge clear, short left	1	000-144-5707-16	\$50.00
55	157847	Spring coil, compressive	1	000-098-3135-01	\$6.00
56	157846	Shaft, lift, fixed	1	000-101-1727-10	\$13.00
57	157844	Bracket, lift, fixed	1	000-116-1863-08	\$15.00
58	157845	Plate, lift head	1	000-116-1864-01	\$15.00
59	198651	Collar, lift head, sst	4	000-112-6872-01	\$2.00
60	175680	Lever, drive	2	000-135-2958-31	\$23.00
61	Consult	Lever, drive	2	000-137-0648-24	Consult
62	125701	Solenoid assembly, film arm in, 9.9W (L5, L6)	2	000-073-7078-01	\$31.00
63	125700	Solenoid assembly, film arm out, 9.9W (L7, L8)	2	000-111-8041-11	\$38.00
64	172652	Spring coil, compressive	2	000-079-1005-20	\$6.00
65	175681	Collar, guard	4	000-096-7137-08	\$9.00
66	175682	Collar, step	4	000-098-0717-25	\$17.00
67	175684	Bearing, radial	4	000-000-3694-06	\$10.00
69	Consult	Bracket, motor, stepping	1	000-135-2932-15	Consult
70	203918	Timing pulley, S3M, C	1	000-138-5877-07	\$59.00
71	225557	Timing Belt, S3M	1	100-058-3713-00	\$29.00
72	187475	Collar A	2	000-095-9235-00	\$16.00

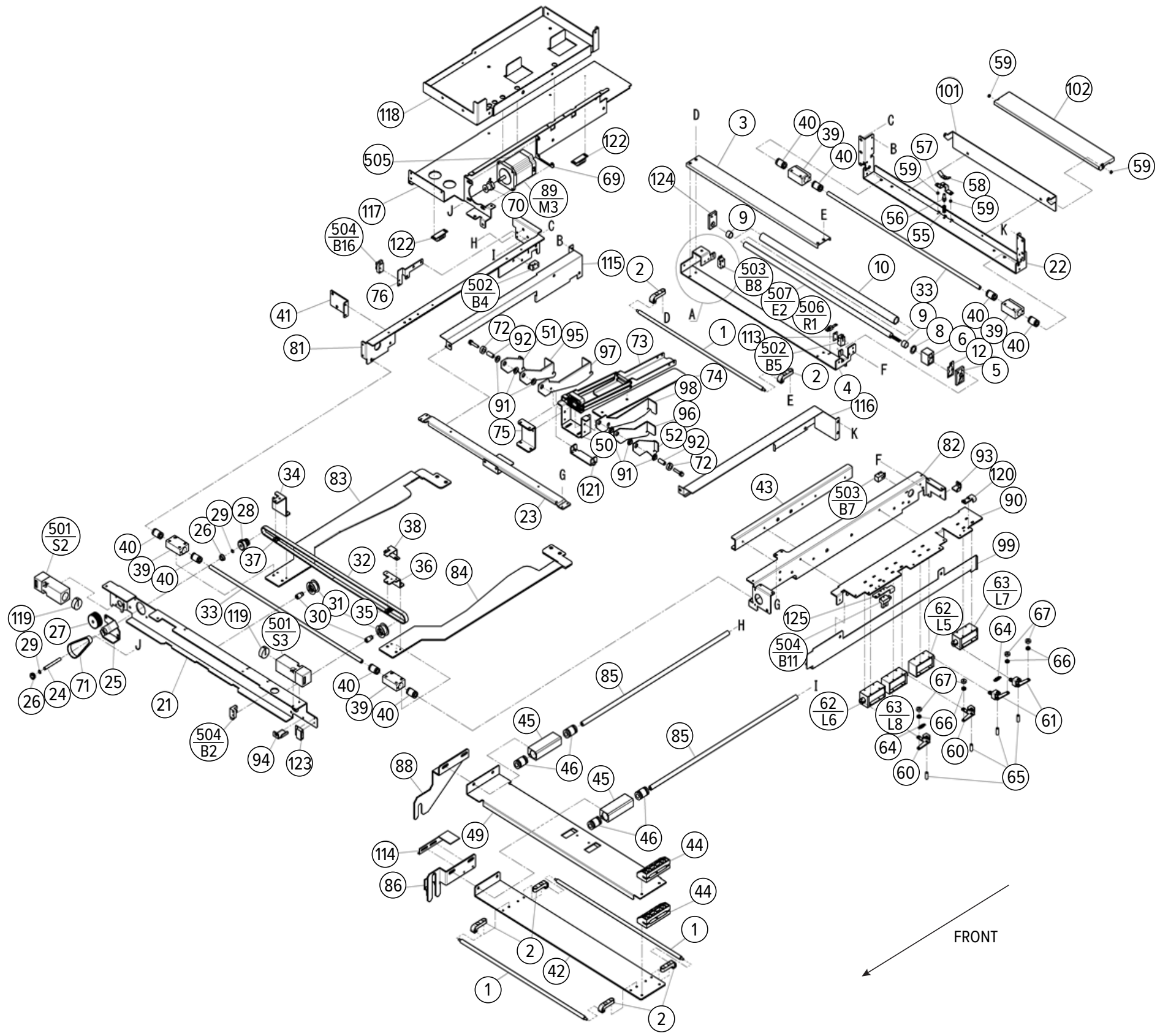
Wrapping Unit

Part Number/Price

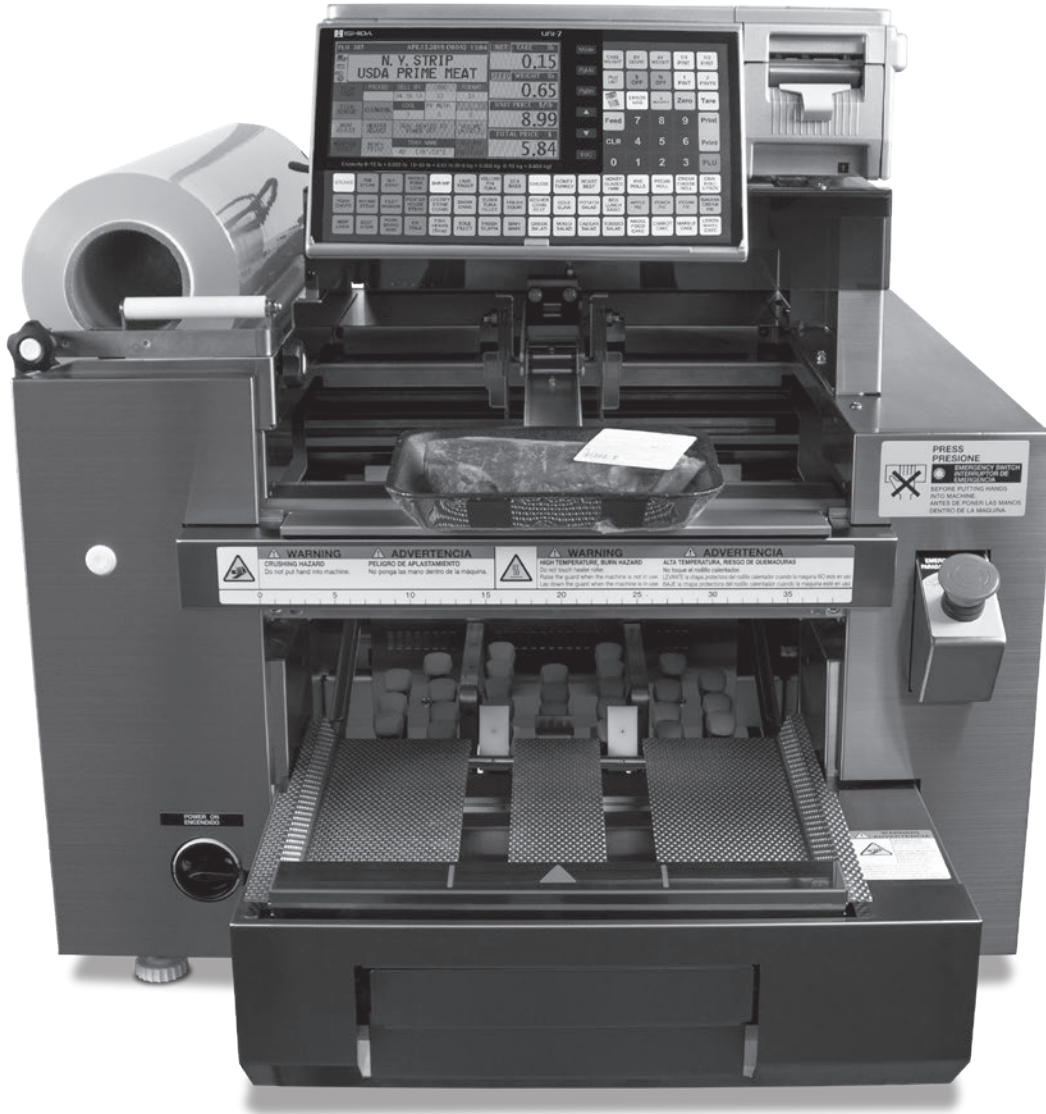
REF #	PART #	DESCRIPTION	QTY	SYNONYM	PRICE
73	Consult	Tray hold assembly	1	000-142-1864-00	Consult
74	Consult	Plate B, guide, tray	1	000-142-1861-09	Consult
75	Consult	U plate A, tray hold	1	000-142-1863-06	Consult
76	225558	Bracket, sensor, back fold	1	000-143-3076-06	\$41.00
81	Consult	Frame, wrapping, side right	1	000-135-2858-32	Consult
82	Consult	Frame, side left	1	100-057-0530-01	Consult
83	171669	Wrap plate, right	1	000-144-5972-08	\$202.00
84	171670	Wrap plate, left	1	000-144-5973-01	\$202.00
85	Consult	Shaft, linear	2	000-135-2919-07	Consult
86	Consult	Joint, drive, fold	1	000-135-2921-41	Consult
88	Consult	Joint, drive pusher	1	000-135-2926-21	Consult
89	125714	Motor assembly, stepping, side folders (M3)	1	000-137-0538-19	\$405.00
90	Consult	Bracket, solenoid	1	100-060-6811-03	Consult
91	186769	Bush	6	000-031-9453-01	\$4.00
92	Consult	Collar	2	000-059-1079-09	Consult
93	Consult	Stopper, arm front	1	100-064-7954-00	Consult
94	Consult	Stopper, arm rear	1	100-064-8179-00	Consult
95	225559	Pusher, discharge, clear, medium right	1	100-055-2970-02	\$83.00
96	225560	Pusher, discharge, clear, medium left	1	100-055-2969-02	\$83.00
97	225561	Pusher, discharge, clear, large right	1	100-055-2889-02	\$80.00
98	225562	Pusher, discharge, clear, large left	1	100-055-2891-02	\$80.00
99	Consult	Cover, inside left	1	100-060-6812-01	Consult
101	Consult	Stay, guide, safety	1	000-135-2954-17	Consult
102	221578	Guard, safety	1	000-135-2952-29	\$50.00
113	189254	Sheet, sensor photo	1	000-095-4038-04	\$3.00
114	221576	Detect plate, back fold, sst	1	000-143-3075-11	\$12.00
115	Consult	Cover	1	100-055-3388-02	Consult
116	Consult	Cover	1	100-055-3389-01	Consult
117	Consult	Frame, left upper	1	100-058-7214-01	Consult
118	Consult	Stay, printer	1	100-058-3325-01	Consult
119	215290	Cap, foam, harness, interlock switch	2	000-091-0707-09	\$3.00
120	Consult	Stopper, arm, front	1	100-062-7003-00	Consult
121	Consult	Stay, pusher	1	100-062-7002-01	Consult
122	47172	Catch, magnet	2	000-000-3931-09	\$8.00
123	159595	Catch, magnet	1	000-072-8605-01	\$5.00
124	Consult	Stay, insulator	1	100-062-3369-01	Consult
125	225563	Bracket, sensor	1	100-063-5328-00	\$31.00
501	157866	Switch, safety, interlock (S2, S3)	2	000-111-8428-00	\$92.00
502	125711	Photo interruptor, sensor, transmitter, safety and tray exit (B4, B5) Note: transmit sensor does not include item #113 189254 sheet, sensor which is needed at B4	2	000-112-9768-07	\$11.00
503	125712	Photo interruptor, sensor, receive, safety and tray exit (B7, B8)	2	000-112-9769-01	\$27.00
504	104239	Photo interruptor, transmitter, L/R wrap-home, rear wrap-limit, and film arm-open, white conn. (B2, B11, B16)	3	000-070-5204-14	\$12.00
505	Consult	Accessory, band, marking	1	000-135-0341-08	Consult
506	153657	Thermistor assembly, sealing element, 3.1K ohm (R1)	1	000-072-2291-03	\$28.00
507	225564	Heater assembly, sealing element (E2)	1	100-059-5465-00	\$511.00
601	225565	Harness, C5, solenoid	1	100-058-0844-00	\$85.00
602	225566	Harness, C5, SW	2	100-061-7391-00	\$56.00
603	225567	Harness, C3, sensor	1	100-062-4515-02	\$77.00
604	225568	Harness, C5, sensor	1	100-062-4514-01	\$128.00
605	225569	Harness C2, sensor	1	100-063-6239-00	\$54.00
606	225570	Harness, C2, junction	1	100-061-7443-00	\$11.00
607	225571	Harness, C2, junction	1	100-061-7444-00	\$52.00
999	172527I01	Roller, seal heater assembly	1	100-005-0510-00	\$84.00

Ishida WM-Micro

Wrapping Unit



Ishida WM-Nano



WM-Nano

Control Unit and Wiring Diagrams

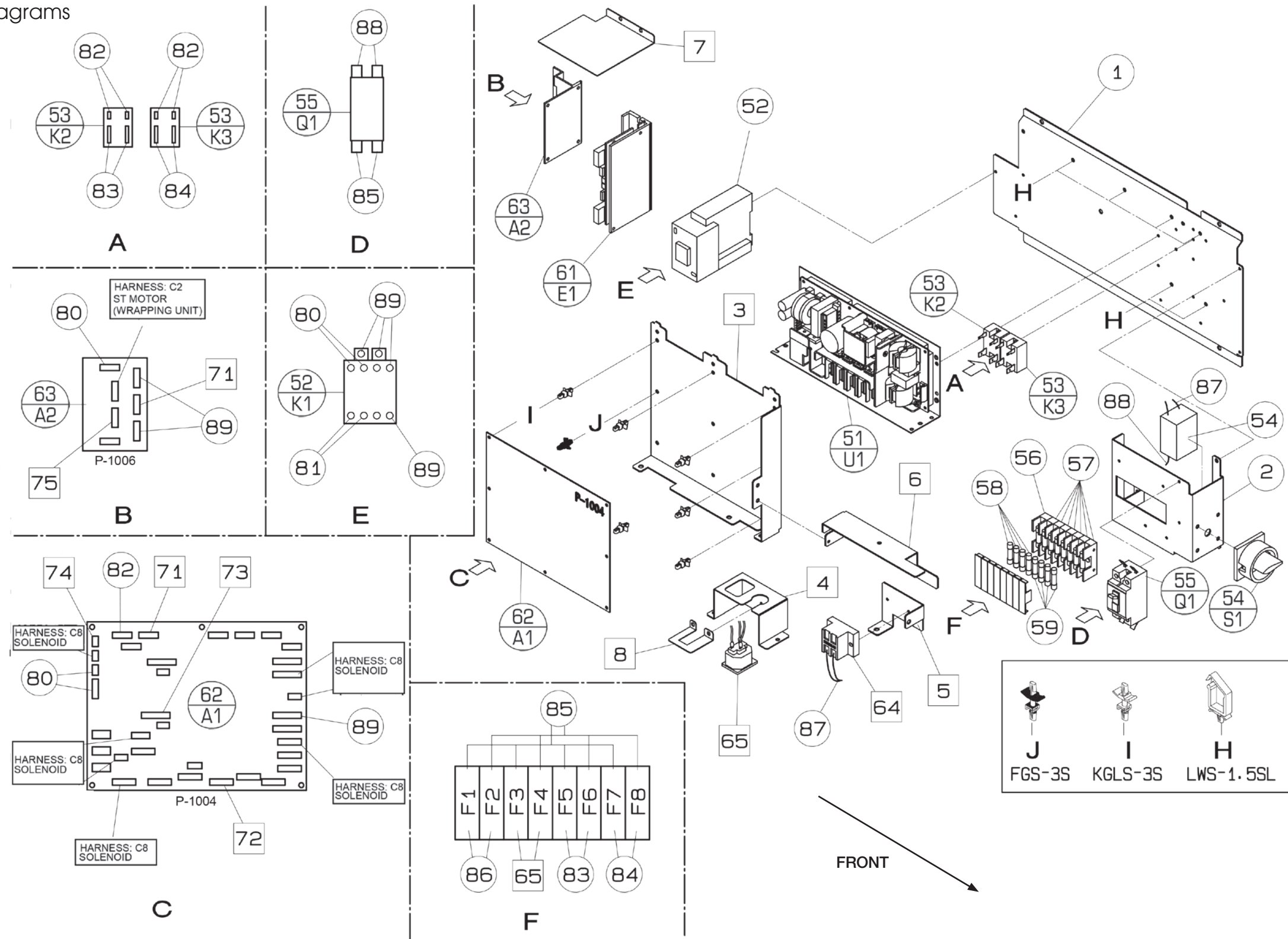
Part Number/Price

REF #	PART #	DESCRIPTION	QTY	SYNONYM	PRICE
1	Consult	Bracket PS	1	135-4649-36	\$32.00
2	Consult	Bracket AC	1	135-4651-34	\$20.00
3	Consult	Bracket P-1004	1	135-4650-31	\$21.00
4	Consult	Bracket lock	1	135-4652-29	\$20.00
5	Consult	Bracket terminal	1	137-0557-28	\$14.00
6	Consult	Cover terminal	1	137-0558-12	\$18.00
7	Consult	Cover controller	1	137-0560-01	\$9.00
8	Consult	Bracket stopper PS	1	138-2217-08	\$11.00
51	125718	Power supply switching (U1)	1	112-1274-05	\$233.00
52	116272	Electromagnetic contactor (K1)	1	111-8354-17	\$82.00
53	125708	Relay, solid state (K2, K3)	2	086-7316-09	\$21.00
54	125717	Switch, rotary, main power on/off (S1)	1	134-8366-02	\$59.00
55	172630	Breaker leak (Q1)	1	086-7453-06	\$72.00
56	72857	Fuse holder, terminal type	1	000-4119-04	\$11.00
57	72856	Fuse holder, terminal type	7	040-2724-07	\$11.00
58	125707	Fuse glass tube 6A, 250V, 3AG (F1, F2, F3, F4)	4	069-2407-00	\$6.00
59	47075	Fuse glass tube 5A, 250V, 3AG (F5, F6, F7, F8)	4	033-3882-09	\$4.00
61	125703	Controller board, lift motor (E1)	1	142-6355-09	\$284.00
62	125704	PWB P-1004 A, CPU board (A1)	1	111-8341-82	\$720.00
63	125705	PWB P-1006 C-4, motor controller board (A2)	1	135-0167-06	\$322.00
64	Consult	Terminal block	1	135-0067-07	\$11.00
65	178630	AC outlet assembly, (fuses F3, F4 to AC outlet for Uni-7)	1	137-0537-23	\$37.00
71	Consult	Harness S2 STP (P-1004 XJ1 to P-1006 XJ7)	1	132-2008-11	\$83.00
72	204205	Harness C2 DCB (P-1004 XJ17 to lift motor controller E1 CN2)	1	131-7500-19	\$47.00
73	204240	Harness C3 thermistors (P-1004 XJ26 to seal thermistor R1, fan thermistor R141)	1	135-0165-27	\$41.00
74	Consult	Harness C2 solenoid (P-1004 XJ36 to cutter solenoid L8)	1	132-2012-17	\$13.00
75	204023	Harness C2 ST motor (P-1006 XJ6 to film feed motor M2)	1	131-7498-14	\$31.00
80	Consult	Harness C6 PS DC (power supply U1 CN51 to P-1004 XJ33 and XJ34, P-1006 XJ1, contactor K1)	1	131-7494-10	\$44.00
81	Consult	Harness C3 PS DC (lift motor controller E1 CN1 to contactor K1)	1	132-2003-22	\$27.00
82	Consult	Harness C5 SSR (P-1004 XJ38 to relays K2, K3)	1	131-7499-27	\$31.00
83	Consult	Harness C5 seal heater (fuses F5, F6 to seal heater E2 to relay K2)	1	132-2001-34	\$33.00
84	Consult	Harness C5 fan heater (fuses F7, F8 to fan heater E3 to relay K3)	1	132-2104-34	\$36.00
85	Consult	Harness C16 PS AC (breaker Q1 to fuses)	1	132-2002-29	\$66.00
86	Consult	Harness C3 PS AC (fuses F1, F2 to power supply U1 CN1)	1	132-2010-10	\$23.00
87	Consult	Harness C4 PS AC (power switch S1 to incoming power terminal block)	1	135-0164-14	\$21.00
88	Consult	Harness C4 PS AC (power switch S1 to breaker Q1)	1	132-2009-33	\$24.00
89	209571	Harness C13 safety (P-1004 XJ9 to E stop S2, left film door sensor B12, contactor K1)	1	131-7495-50	\$96.00

See the [WM-Nano Wiring Diagrams](#) on [page 206](#) and [page 207](#) for harness details; 8-XX

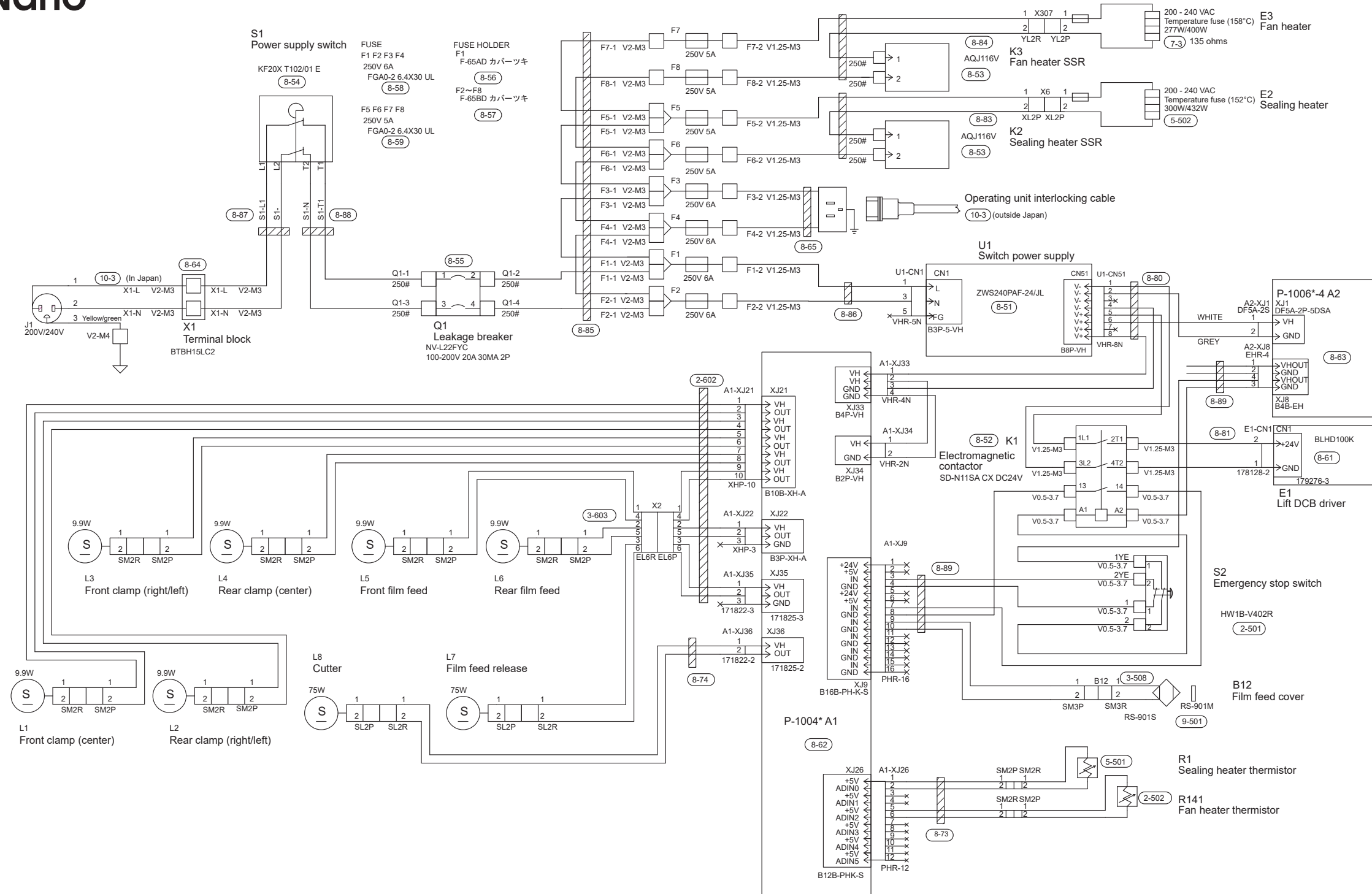
Ishida WM-Nano

Control Unit and Wiring Diagrams



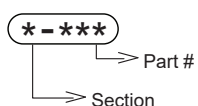
Ishida WM-Nano

Wiring Diagram, 1 of 2



SECTION LIST

- 1, 2, 5: Wrapper main body unit
- 3, 4: Wrapping unit
- 6: Infeed unit
- 7: Fan heater unit
- 8: Control unit and wiring diagrams
- 9: Cover unit
- 10: Harness unit



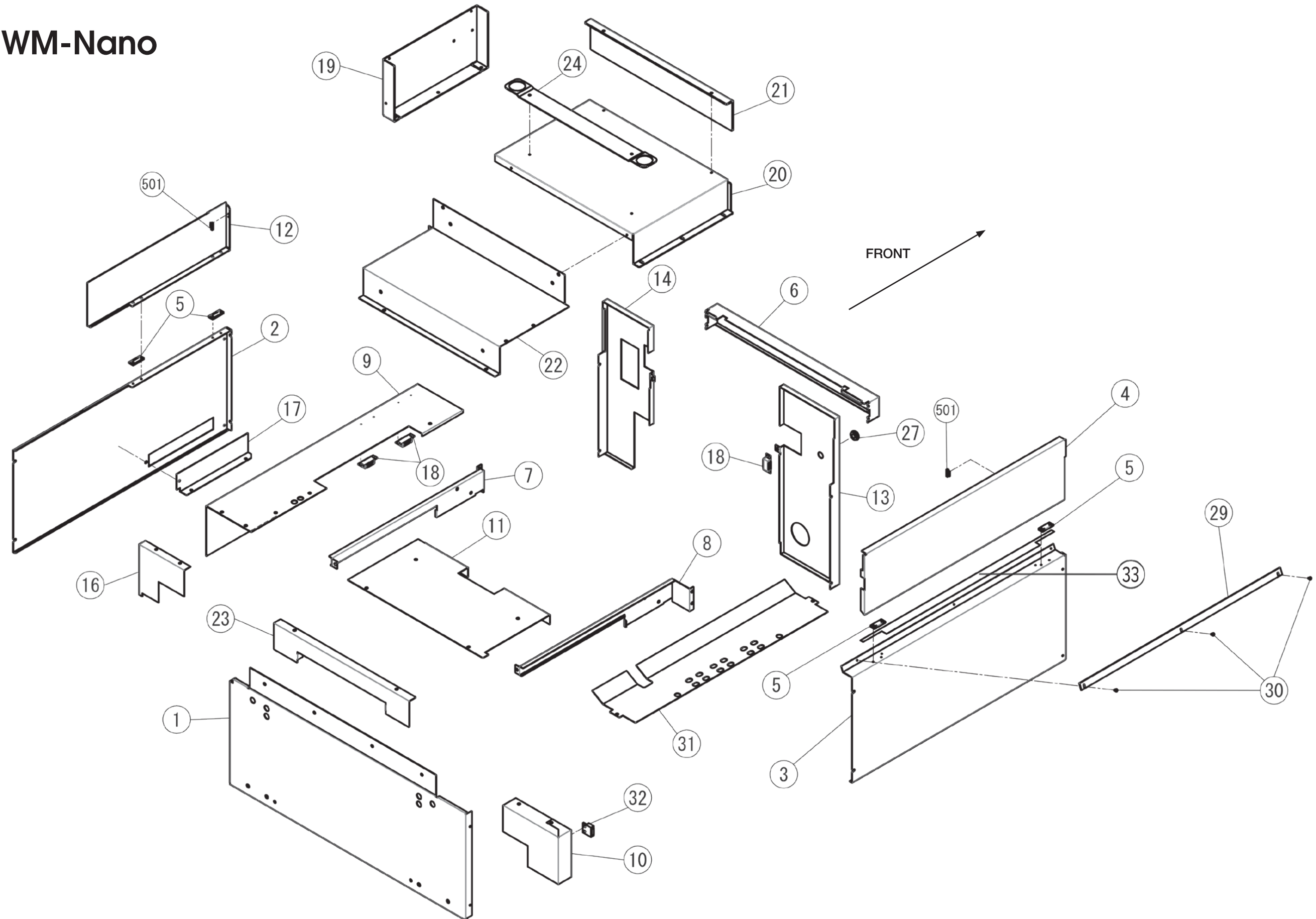
Cover Unit

Part Number/Price

REF #	PART #	DESCRIPTION	QTY	SYNONYM	PRICE
1	Consult	Cover rear	1	135-7033-42	\$112.00
2	Consult	Cover side R	1	135-7031-36	\$77.00
3	Consult	Cover side L	1	135-7005-84	\$129.00
4	163729	Door, set film, left side	1	135-7008-49	\$159.00
5	172875	Door hinge	4	128-6130-03	\$4.00
—	42631	Screw, machine, M3-0.5x6 mm SST counter sink	16	002-1911-01	\$2.00
6	Consult	Cover, discharge	1	135-7001-34	\$74.00
7	Consult	Cover, wrapping inner, right	1	142-6124-14	\$147.00
8	Consult	Cover, wrapping inner, left	1	142-6125-18	\$147.00
9	Consult	Cover, wrapper side R	1	135-4953-39	\$74.00
10	Consult	Cover, connector L	1	135-7026-37	\$41.00
11	Consult	Cover wrapper rear	1	135-7004-44	\$74.00
12	Consult	Door side R	1	137-0749-35	\$63.00
13	Consult	Cover front L	1	135-7011-50	\$85.00
14	Consult	Cover front R	1	135-7014-41	\$77.00
16	Consult	Cover, connector R	1	137-0745-03	\$48.00
17	Consult	Stay name plate	1	137-0667-24	\$28.00
18	47172	Catch, magnet	3	000-3931-09	\$8.00
19	Consult	Stay stand operation R	1	135-5942-10	\$81.00
20	Consult	Table, operation	1	135-4944-26	\$80.00
21	151678	Cover, guard front	1	141-6253-05	\$192.00
22	Consult	Cover, tower inner	1	137-0750-11	\$68.00
23	189092	Cover, wrapper rear	1	137-8260-21	\$4.00
24	Consult	Bracket fix	1	137-0737-12	\$44.00
27	193756	Grommet w/diaphragm	1	143-3401-03	\$2.00
29	Consult	Plate B cover	1	138-5521-11	\$33.00
30	177268	Hex socket bolt, M3x6 mm, low profile black	3	138-5783-01	\$2.00
31	Consult	Cover, hold film	1	137-0736-37	\$48.00
32	159595	Catch magnet	1	072-8605-01	\$5.00
33	Consult	Seal, cutter caution	1	141-6204-02	\$9.00
501	105979	Magnet, door proximity switch, green	2	067-2609-01	\$17.00
—	189088	Screw, mount, Phillips pan head, M2x4 SST	4	000-000-0067-00	\$2.00
999	41732	Screw, cover, SST, M4x6		00-0237-06	\$2.00

Ishida WM-Nano

Cover Unit



ISHIDA WM-NANO

Cutter Unit

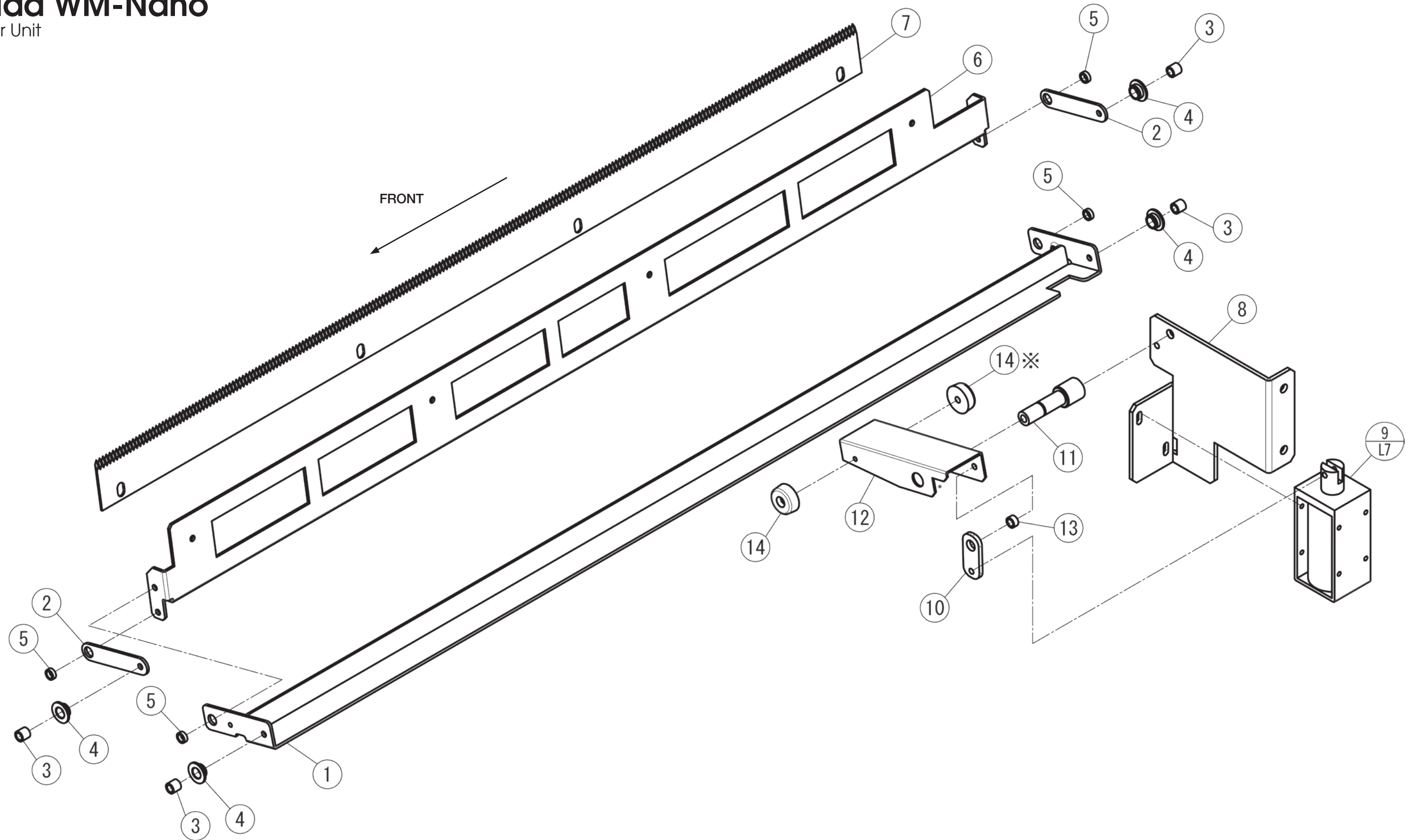
Part Number/Price

REF #	PART #	DESCRIPTION	QTY	SYNONYM	PRICE
1	Consult	Link cutter interface	1	135-4862-24	\$36.00
2	Consult	Link cutter	2	135-4868-08	\$6.00
3	180617	Collar	4	017-6855-00	\$4.00
4	78083	Bush	4	037-4818-02	\$4.00
5	180618	Collar lift head	4	076-9554-16	\$3.00
6	Consult	Bracket cutter	1	142-6310-01	\$80.00
7	125702	Cutter saw blade	1	141-6252-01	\$191.00
8	Consult	Bracket solenoid cutter	1	142-6304-09	\$35.00
9	125700	Solenoid assembly cutter (L7)	1	111-8041-11	\$38.00
10	Consult	Plate A link cutter	1	112-6628-08	\$29.00
11	Consult	Shaft pulley tension	1	109-8205-23	\$6.00
12	Consult	Lever solenoid cutter	1	142-6309-07	\$35.00
13	189279	Collar	1	094-0174-15	\$5.00
14	47395	Rubber pad	1	009-3630-03	\$2.00

WM-Nano

Ishida WM-Nano

Cutter Unit



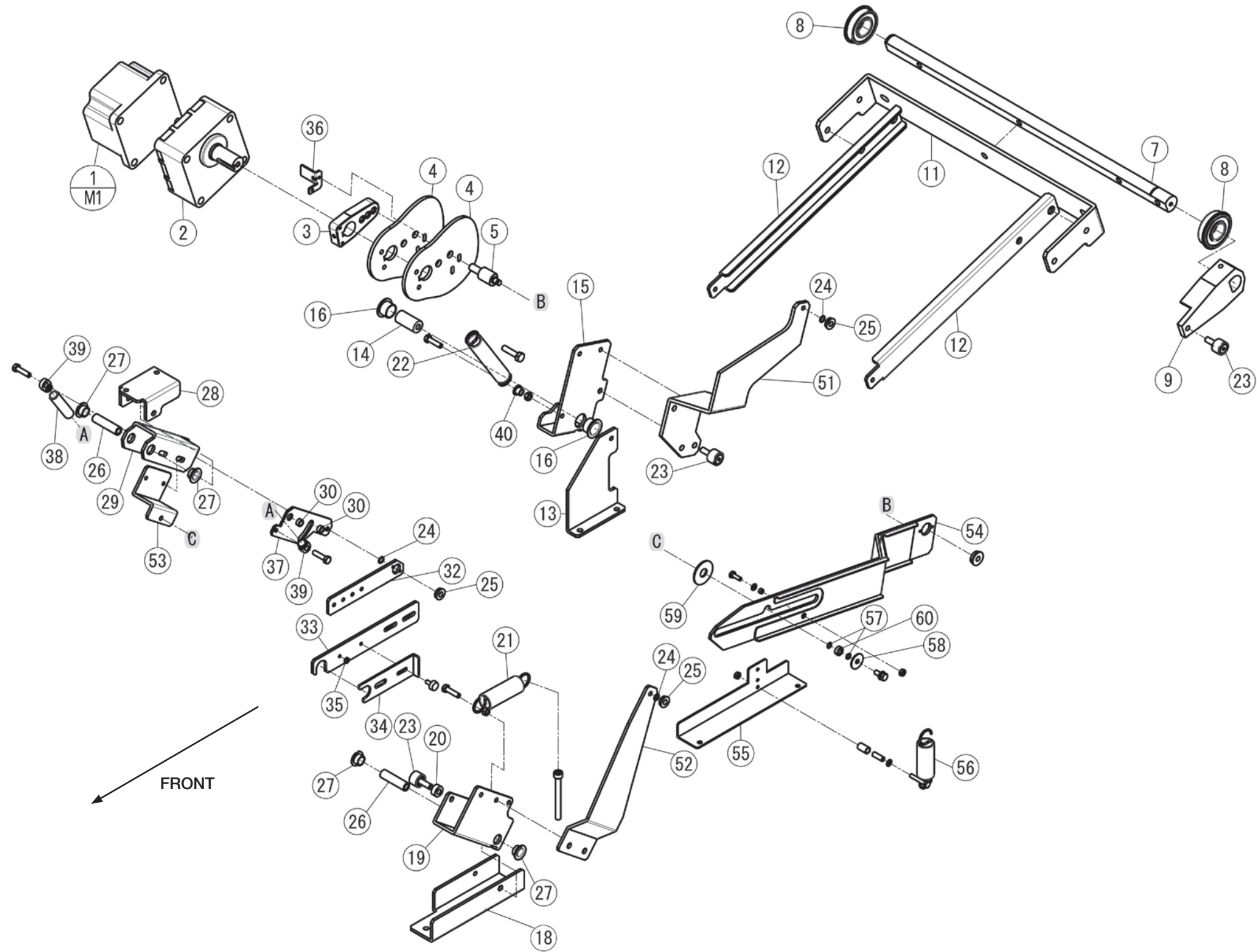
Drive Unit

Part Number/Price

REF #	PART #	DESCRIPTION	QTY	SYNONYM	PRICE
1	125716	Motor DC brushless, lift, etc. (M1)	1	135-2579-04	\$528.00
2	Consult	Gear head	1	132-6272-04	\$284.00
3	Consult	Block B crank	1	091-0821-38	\$16.00
4	Consult	Cam drive	2	132-6343-32	\$59.00
5	Consult	Pin crank	1	132-6342-11	\$22.00
7	Consult	Shaft fulcrum lift	1	135-2572-18	\$197.00
8	Consult	Bearing radial deep groove	2	098-2634-09	\$14.00
9	Consult	Block B link lift	1	139-9170-00	\$144.00
11	Consult	Lever fullcrum lift	1	135-2570-20	\$48.00
12	Consult	Arm lift	2	135-2569-16	\$30.00
13	194120	L plate B stay fold	1	132-6352-27	\$19.00
14	194124	Collar, cam folder lever	1	135-2577-07	\$12.00
15	Consult	Lever cam fold	1	135-2576-31	\$34.00
16	194126	Bush DU flange	2	015-8914-09	\$12.00
18	Consult	U plate B stay pusher	1	132-6350-20	\$20.00
19	Consult	Lever drive pusher	1	135-2574-24	\$32.00
20	Consult	Collar	1	063-1176-02	\$2.00
21	125694	Spring coil compressive	1	136-3942-04	\$10.00
22	125695	Spring coil compressive	1	136-3947-11	\$15.00
23	125696	Cam follower cylindrical	3	000-3717-08	\$40.00
24	45160	Collar washer	3	002-8254-03	\$2.00
25	129956	Bearing radial	3	000-3686-06	\$19.00
26	Consult	Collar	2	091-8192-01	\$10.00
27	Consult	Bush DU flange	4	022-8063-07	\$5.00
28	Consult	Stay fulcrum feed	1	135-4664-32	\$17.00
29	153978	Lever fulcrum feed	1	142-6379-08	\$108.00
30	69136	Collar	2	002-9867-00	\$2.00
31	Consult	Bearing radial	1	023-6398-04	\$7.00
32	Consult	Link feed A	1	132-6051-44	\$16.00
33	Consult	Link feed B	1	132-6050-31	\$15.00
34	Consult	L plate B fix link	1	135-4879-18	\$13.00
35	180618	Collar lift head	1	076-9554-16	\$3.00
36	Consult	Detecting plate	1	137-8156-09	\$8.00
37	207320	Lever, link feed	1	137-0838-33	\$19.00
38	205114	Spring coil tension	1	060-5057-17	\$8.00
39	205120	Hanger spring	2	052-3359-08	\$3.00
40	Consult	Bush	1	030-6378-07	\$2.00
51	129952	Arm, rear folder L	1	142-6361-01	\$120.00
52	Consult	Arm pusher L	1	135-2893-13	\$26.00
53	Consult	Lever support feed	1	143-3074-09	\$24.00
54	Consult	Link drive lever	1	143-3073-05	\$112.00
55	Consult	Bracket spring	1	142-6375-03	\$52.00
56	Consult	Spring coil compressive	1	142-6112-01	\$9.00
57	164497	Shim	2	143-3068-06	\$6.00
58	Consult	Plain washer, 5 mm ID x 19 mm OD x 1 mm thick SST	1	143-3071-08	\$7.00
59	Consult	Plain washer, 10.5 mm ID x 30 mm OD x 1.5 mm thick SST	1	143-3072-01	\$7.00
60	172643	Bearing radial	1	065-6920-00	\$4.00

Ishida WM-Nano

Drive Unit



Fan Heater Unit

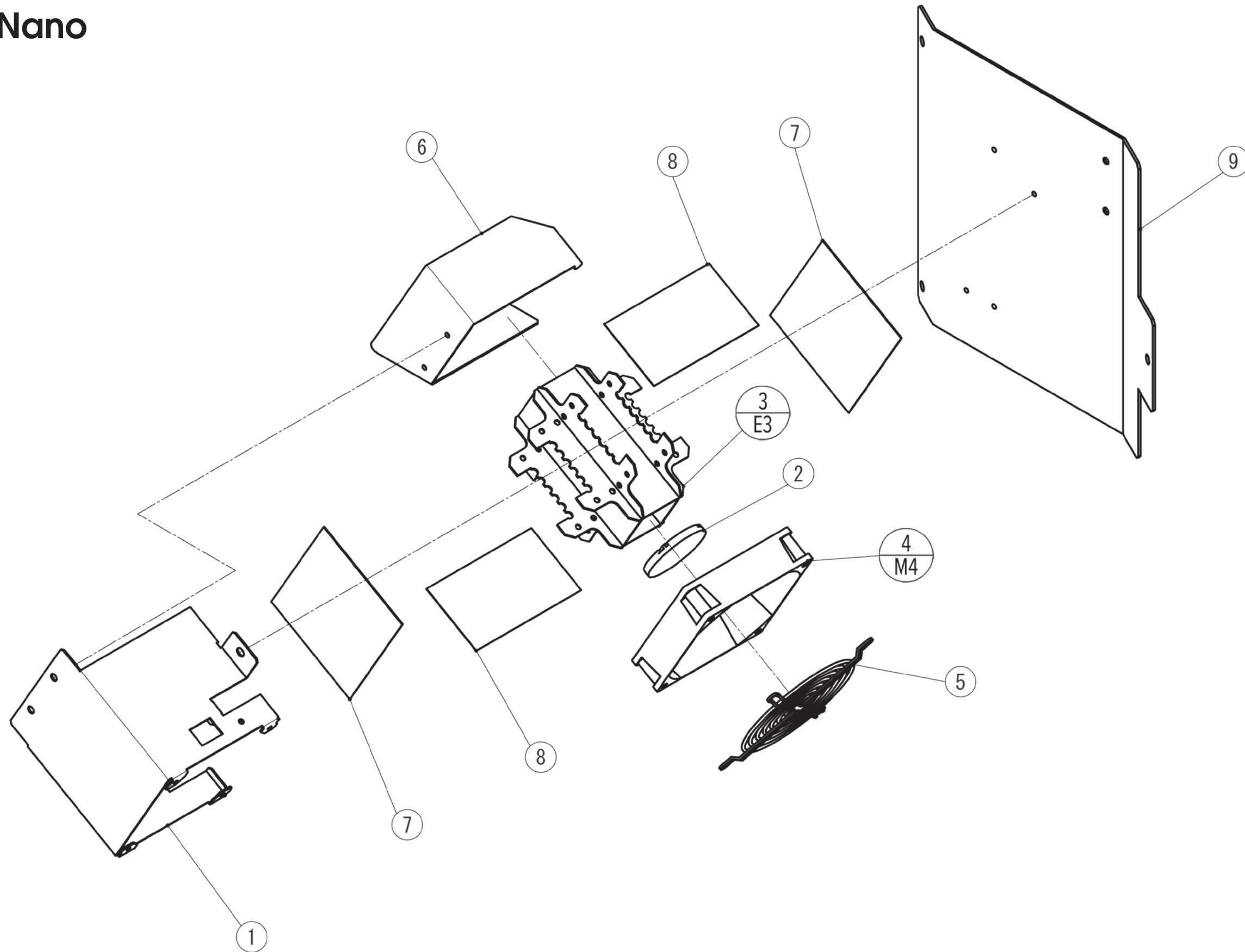
Part Number/Price

REF #	PART #	DESCRIPTION	QTY	SYNONYM	PRICE
1	Consult	Chassis, fan heater	1	137-0522-01	\$182.00
2	164372	Plate B fan heater	1	111-8204-02	\$8.00
3	164373	Element, heater, assembly E3, 144 ohm	1	137-0636-01	\$151.00
4	164374	Fan, heater, M4	1	132-6003-18	\$87.00
5	186809	Fan guard	1	051-5901-07	\$19.00
6	186810	Guide, fan heater	1	137-0530-00	\$96.00
7	186811	Plate B heater	2	124-0457-00	\$4.00
8	186812	Plate A heater	2	124-0458-03	\$4.00
9	186813	Base fan heater L	1	137-0554-09	\$112.00

WM-Nano

Ishida WM-Nano

Fan Heater Unit



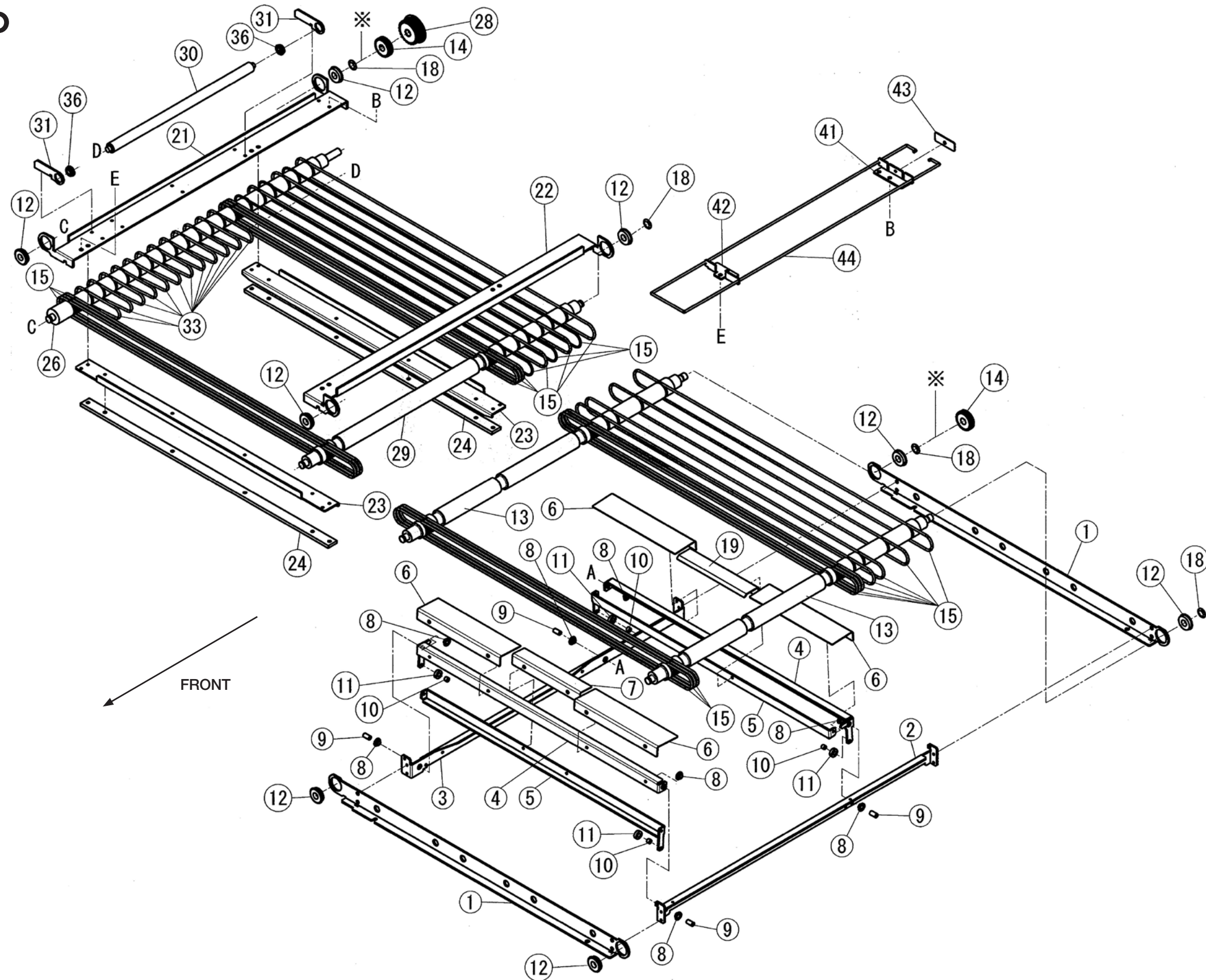
Film Feeder Unit

Part Number/Price

REF #	PART #	DESCRIPTION	QTY	SYNONYM	PRICE
1	Consult	Frame feeder lower	2	135-2826-22	\$41.00
2	Consult	Stay clamp	1	135-2829-23	\$32.00
3	Consult	Stay clamp	1	140-7341-06	\$37.00
4	Consult	Clamp boss side	2	135-2708-26	\$31.00
5	Consult	Clamp boss center	2	135-2712-21	\$29.00
6	204860	Clamp, side	4	135-2705-61	\$62.00
7	204861	Clamp, center rear	1	135-2710-33	\$59.00
8	78083	Bush	8	037-4818-02	\$4.00
9	Consult	Collar	4	017-6858-01	\$9.00
10	Consult	Collar	4	009-2199-01	\$4.00
11	Consult	Collar frame cutter	4	071-4806-01	\$4.00
12	160748	Bearing radial deep groove	8	094-2649-05	\$8.00
13	184013	Shaft film under	2	140-7342-00	\$187.00
14	184014	Gear flat	2	138-5683-01	\$43.00
15	125692	Round belt endless, long, green (prior to s/n 100053172: 22 belts)	23	135-2898-11	\$16.00
16	184015	Wave washer	2	045-9586-01	\$2.00
19	162164	Clamp, center front	1	139-9169-05	\$62.00
21	Consult	Frame feeder drive	1	135-2718-32	\$63.00
22	Consult	Frame feeder upper	1	135-2715-22	\$48.00
23	Consult	Bracket rail	2	135-2823-59	\$44.00
24	Consult	Rail belt film	2	135-2831-40	\$29.00
26	163308	Shaft film upper drive L polished, chrome, roller	1	141-6014-01	\$399.00
—	49544	Hex socket head bolt, M5-0.8 x 12 mm (receptacle for cleaning T-handle wrench)	—	—	\$2.00
28	Consult	Timing pulley S3MA	1	138-5876-03	\$81.00
29	184016	Shaft film upper follower	1	135-2800-44	\$187.00
30	184017	Shaft feeder follower	1	138-2258-01	\$71.00
31	Consult	Stay tension	2	142-1865-03	\$23.00
33	125693	Round belt endless, short, green	12	140-7241-07	\$8.00
36	Consult	Bearing radial	2	036-3266-06	\$6.00
37	184015	Wave washer	2	045-9586-01	\$2.00
41	Consult	L plate B holder wire back	1	142-6281-07	\$27.00
42	Consult	L plate B holder wire front	1	142-6280-03	\$19.00
43	Consult	L plate A fix wire	1	140-7239-09	\$23.00
44	168506	Wire anti-static (sold by the inch) 30 inch	1	142-6094-07	\$2.00
Assembly	179556	Roller assembly drive includes #12, 14, 18, 21, 26 and 28	1	144-0577-01	\$658.00
Assembly	Consult	Roller assembly follower L includes #12, 22, 29 and 37		144-0578-05	Consult

Ishida WM-Nano

Film Feeder Unit



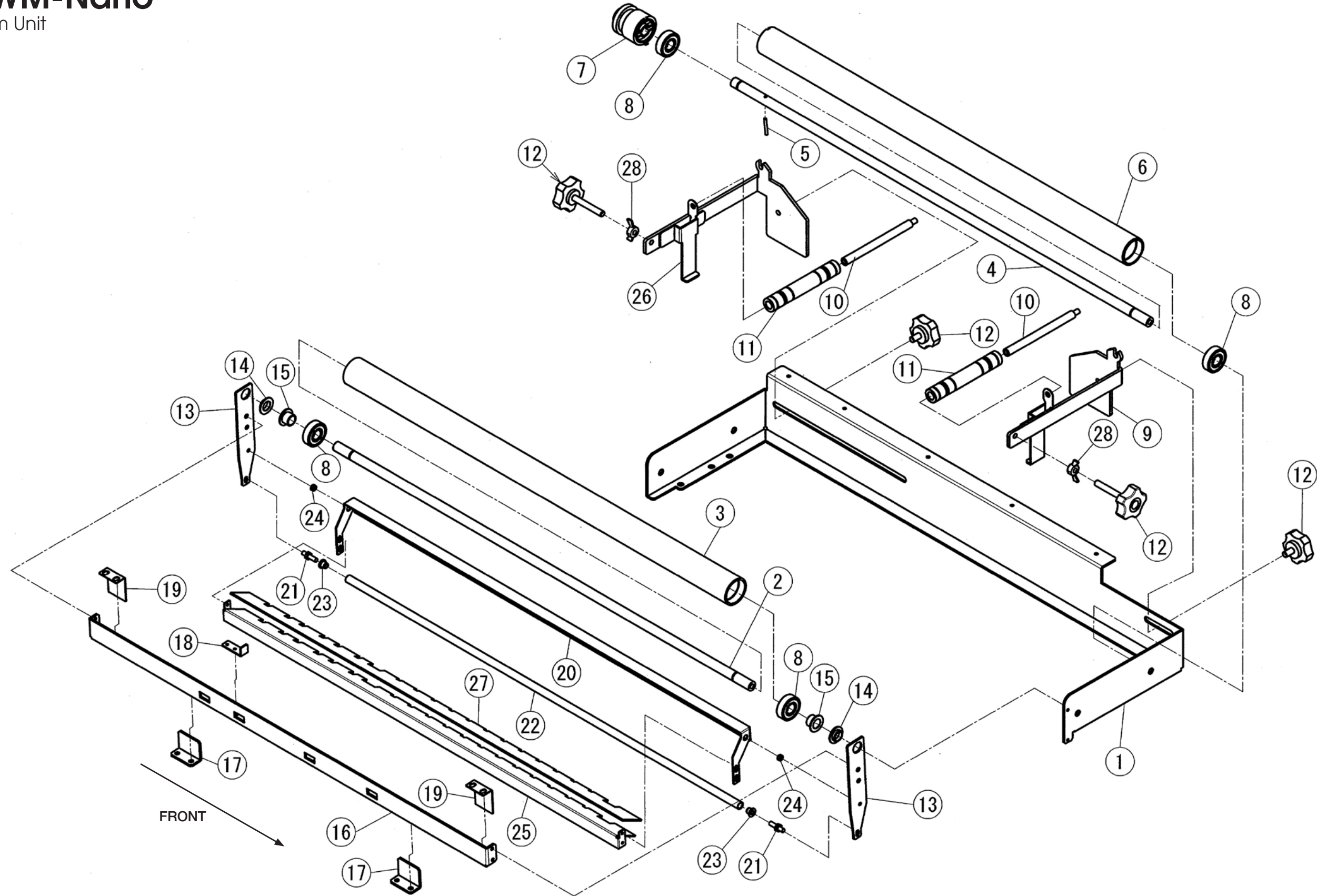
Film Load Arm Unit

Part Number/Price

REF #	PART #	DESCRIPTION	QTY	SYNONYM	PRICE
1	Consult	Frame support film	1	135-2946-53	\$77.00
2	208252	Shaft roller	1	141-6029-16	\$42.00
3	208251	Roller	1	101-1356-01	\$120.00
4	Consult	Shaft roller	1	141-6030-20	\$37.00
5	Consult	Spring Pin wave shape	1	038-7140-00	\$1.00
6	Consult	Roller	1	101-1469-08	\$121.00
7	169959	Mini keeper, film roll brake	1	073-7899-02	\$99.00
8	84792	Bearing radial deep groove	4	051-4933-02	\$15.00
9	206159	Stay guide, film	1	140-7444-06	\$84.00
10	Consult	Shaft label	2	078-0825-08	\$7.00
11	187454	Roller, film guide	2	078-0991-03	\$4.00
12	47159	Knob, includes nut	4	000-1543-00	\$5.00
13	195433	Lever drive film	2	134-8253-51	\$15.00
14	132038	Bushing, film press	2	030-2990-02	\$3.00
15	195434	Bush	2	028-1528-00	\$3.00
16	Consult	Stay lever film	1	135-0407-46	\$48.00
17	195435	L plate A stay drive	2	135-2600-19	\$10.00
18	195436	L plate A detect	1	137-0668-28	\$15.00
19	195437	L plate B spring	2	135-2597-48	\$17.00
20	189090	Arm set film	1	134-8310-22	\$47.00
21	174432	Pin fulcrum roller	2	137-0666-11	\$12.00
22	129957	Roller	1	135-2749-38	\$120.00
23	153628	Bushing, exit roller	2	028-1523-01	\$3.00
24	198651	Collar, SST	2	112-6872-01	\$2.00
25	129959	Attachment film without velcro	1	135-2598-60	\$47.00
26	Consult	Stay guide film	1	140-7445-00	\$74.00
27	129958	Sheet film, velcro	1	138-2261-02	\$25.00
28	200522	Wing nut T2, M6 SST	2	006-1024-07	\$3.00
--	168506	Wire anti-static (sold by the inch) 20 inch	1	142-6094-07	\$2.00
Assembly	Consult	Attachment assembly, L includes #25 and 27	1	144-0580-03	Consult

Ishida WM-Nano

Film Load Arm Unit



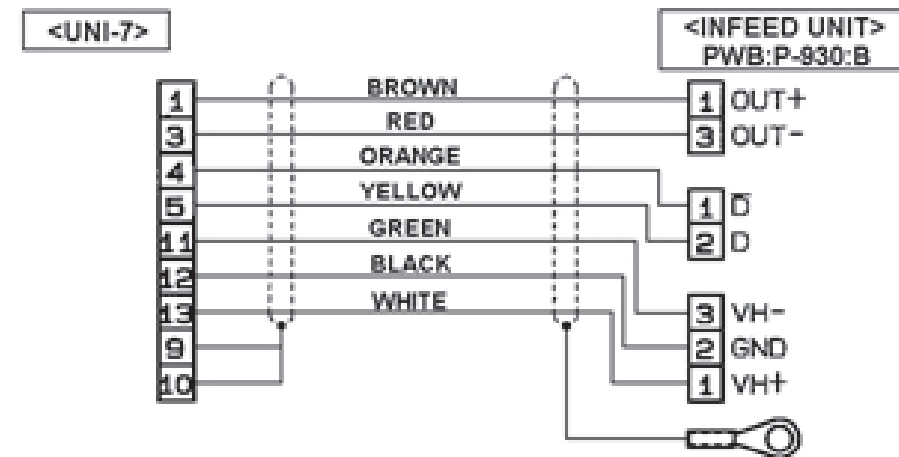
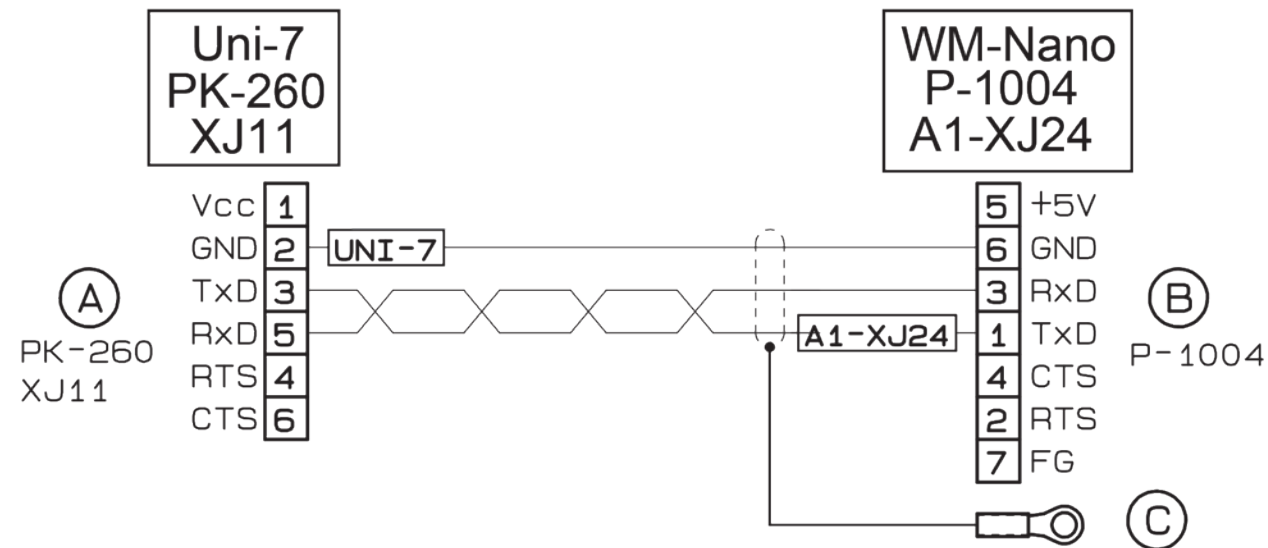
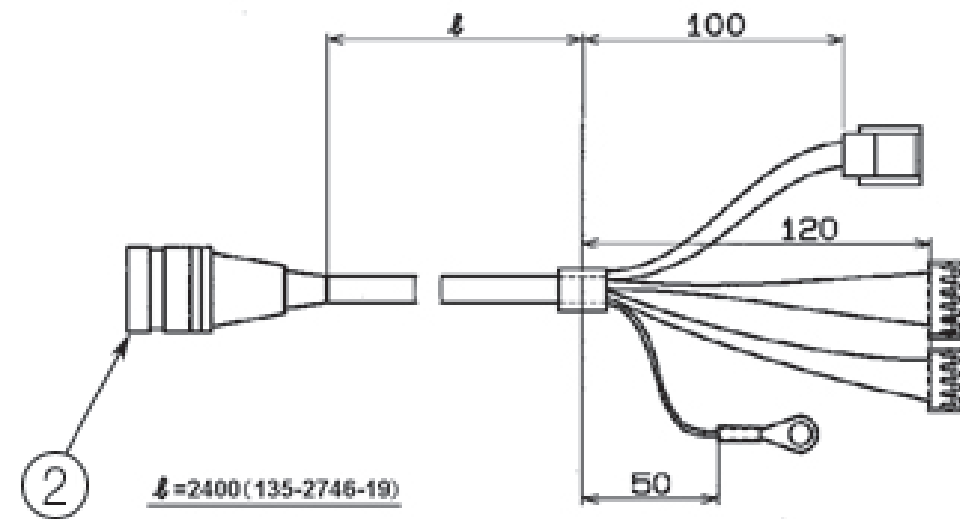
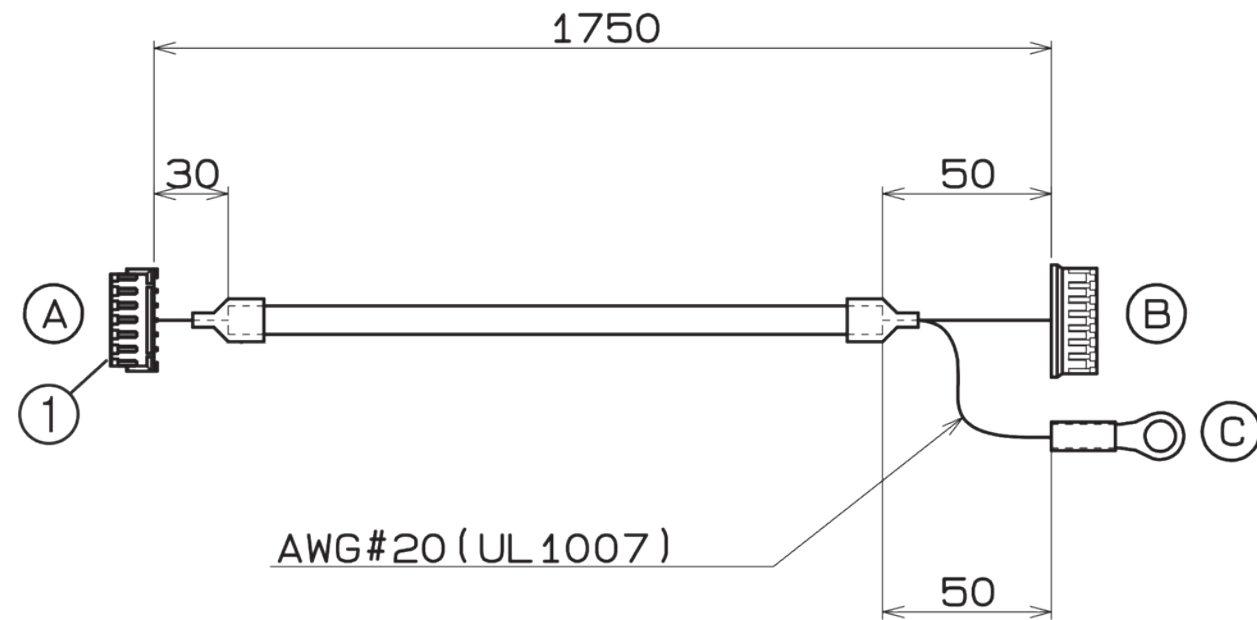
Harness Unit

Part Number/Price

REF #	PART #	DESCRIPTION	QTY	SYNONYM	PRICE
1	151677	Harness C2 RS-232C, Nano to Uni-7RP	1	132-2011-31	\$66.00
2	164716	Harness C5 scale 40 inch	1	135-2746-19	\$120.00
999	174892	Harness, power extension, double female, Nano to Uni-7RP	1	137-0696-04	\$55.00

Ishida WM-Nano

Harness Unit



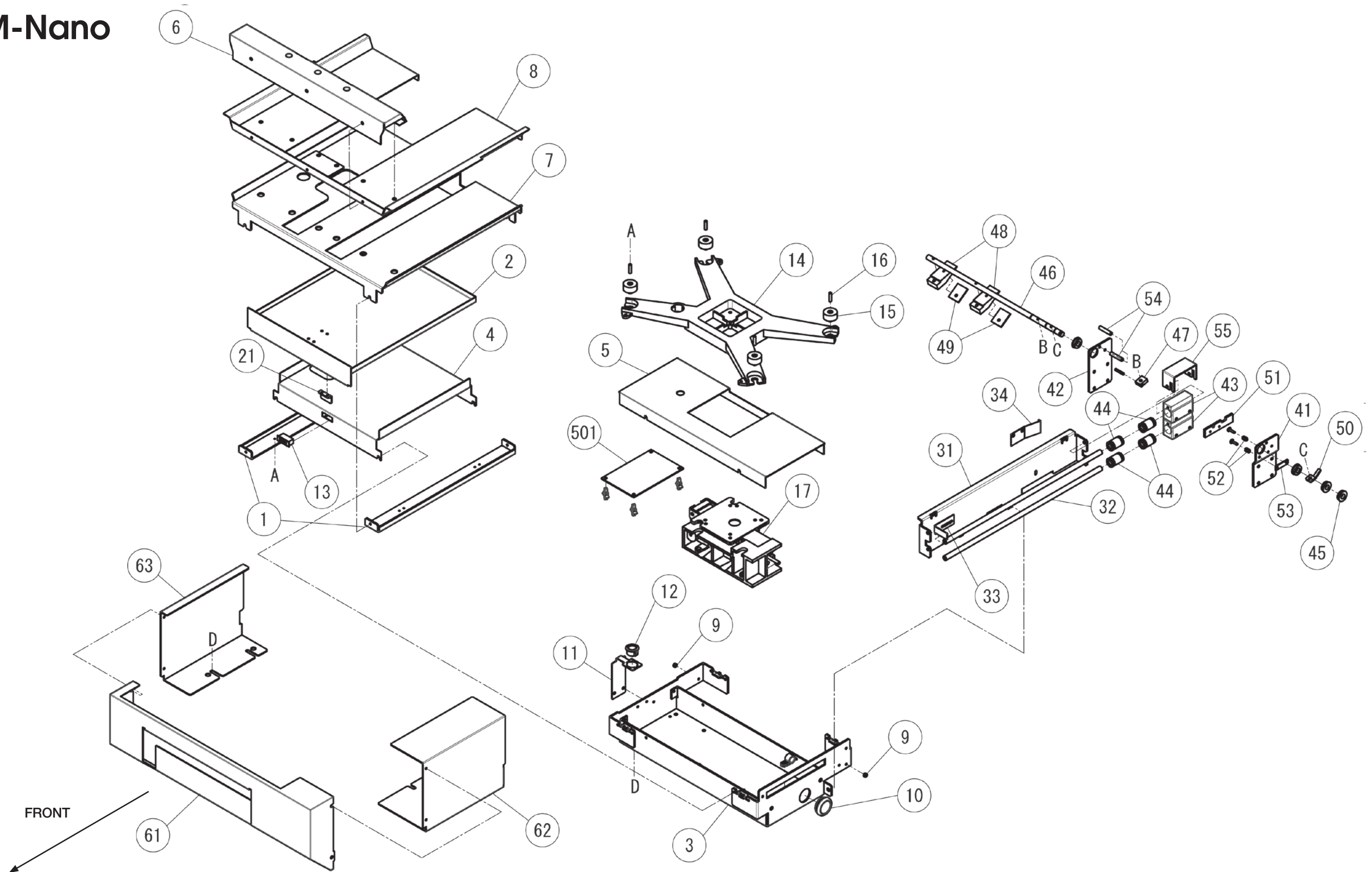
Infeed Unit

Part Number/Price

REF #	PART #	DESCRIPTION	QTY	SYNONYM	PRICE
1	Consult	Stay, weigh	2	132-2268-22	\$21.00
2	Consult	Dust, tray	1	132-2264-37	\$79.00
3	Consult	Base, weigh	1	132-2265-40	\$71.00
4	Consult	Guide, dust tray	1	132-2266-43	\$29.00
5	Consult	Cover, scale	1	132-2267-29	\$25.00
6	Consult	Stay, weigh platter	1	139-2706-19	\$131.00
7	Consult	Bracket, weigh platter	1	135-4874-38	\$69.00
8	129329	Weigh platter, Nano dimpled	1	139-2705-06	\$197.00
9	189279	Collar, solenoid assembly	2	094-0174-15	\$5.00
10	Consult	Grommet, with diaphragm	1	008-4746-08	\$2.00
11	Consult	Bracket, level	1	132-2263-06	\$8.00
12	172672	Level assembly	1	011-2854-08	\$21.00
13	Consult	Catch, magnet	1	061-6534-06	\$3.00
14	45144	Platter supporter	1	000-6131-07	\$40.00
15	45167	Supporter rubber	4	000-6142-08	\$6.00
16	189109	Collar, spacer, change over	4	111-5657-05	\$2.00
17	47030	Load cell unit, CLC-25N	1	047-3068-01	\$404.00
21	Consult	L plate B	1	137-8149-02	\$14.00
31	Consult	Base feed	1	135-4884-35	\$30.00
32	181914	Shaft linear	2	137-0948-02	\$71.00
33	159776	L plate B, stopper rotation	1	135-4881-16	\$17.00
34	179986	Spring plate, infeed pusher knockdown	1	137-0693-31	\$31.00
41	Consult	Stay, linear, infeed	1	135-4889-24	\$12.00
42	Consult	Stay, linear, infeed	1	135-4890-10	\$8.00
43	167403	Housing, linear	2	057-0390-00	\$14.00
44	167404	Bearing liner bush	4	028-1515-01	\$34.00
45	172572	Bearing, radial, deep groove	2	094-2650-00	\$6.00
46	159636	Shaft, infeed	1	132-6299-31	\$55.00
47	Consult	Lever acuator	1	135-4886-14	\$23.00
48	159637	Attachment, infeed	2	128-6062-21	\$36.00
—	167454	Extended infeed pusher kit option, includes platter		143-5430-18	\$387.00
49	159638	Sheet, claw, infeed	2	137-0691-15	\$9.00
50	159639	Lever, reverse, actuator	1	137-0692-00	\$10.00
51	Consult	Plate B, planer rotation	1	135-4887-36	\$9.00
52	Consult	Spring coil, compressive	2	137-0669-03	\$1.00
53	Consult	Plate A, nut	1	137-0699-05	\$6.00
54	195443	Collar, spacer	2	000-9538-00	\$2.00
55	Consult	Cover, guide, plunger	1	135-4888-11	\$14.00
56	Consult	Threaded rod	1	143-0936-08	\$37.00
57	Consult	Bearing radial deep groove	2	000-3692-09	\$29.00
58	172643	Bearing radial	2	065-6920-00	\$4.00
61	185557	Cover, infeed	1	135-7016-30	\$109.00
62	Consult	Cover, infeed, R	1	135-7018-46	\$38.00
63	Consult	Cover, infeed, L	1	135-7029-38	\$38.00
64	Consult	Bushing	1	013-8915-08	Consult
501	125713	PWB P-930B, A/D board	1	094-5458-20	\$326.00

Ishida WM-Nano

Infeed Unit



ISHIDA WM-NANO

Lift Unit

Part Number/Price

REF #	PART #	DESCRIPTION	QTY	SYNONYM	PRICE
1	Consult	Bracket linear L	1	132-6456-30	\$44.00
2	168314	Shaft linear	2	079-3207-04	\$55.00
3	Consult	Stay drive lift	1	132-6457-15	\$32.00
4	Consult	Base lift	1	132-6458-28	\$55.00
5	177954	Plate B spacer lift	1	136-3941-01	\$17.00
6	180618	Collar lift head	4	076-9554-16	\$3.00
7	168315	Bearing linear bush	2	062-9783-05	\$55.00
8	Consult	Link	2	132-6346-15	\$8.00
9	69136	Collar	4	002-9867-00	\$2.00
10	Consult	Bracket linear R	1	138-2195-00	\$31.00

ISHIDA WM-NANO

Lift Head Unit

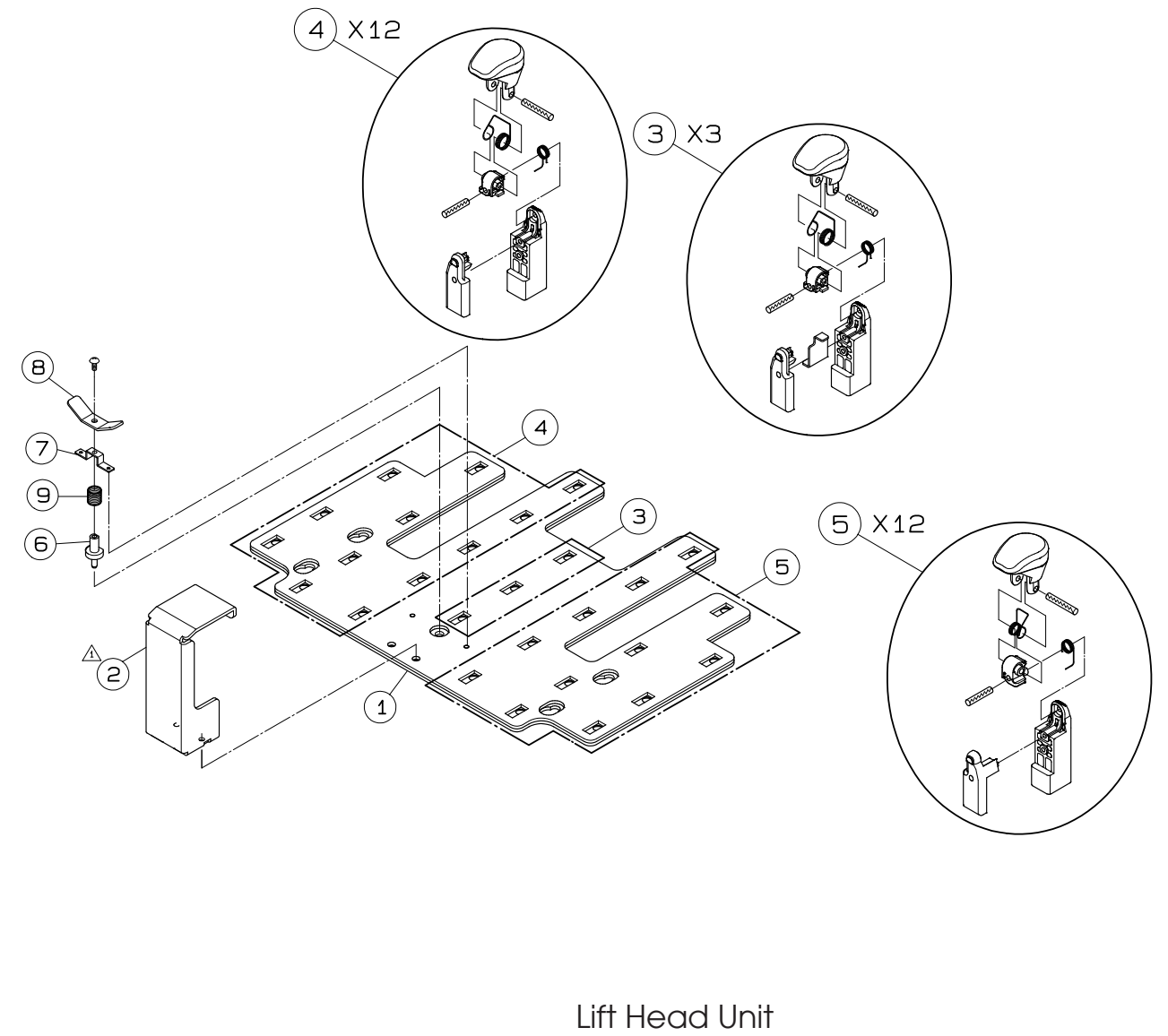
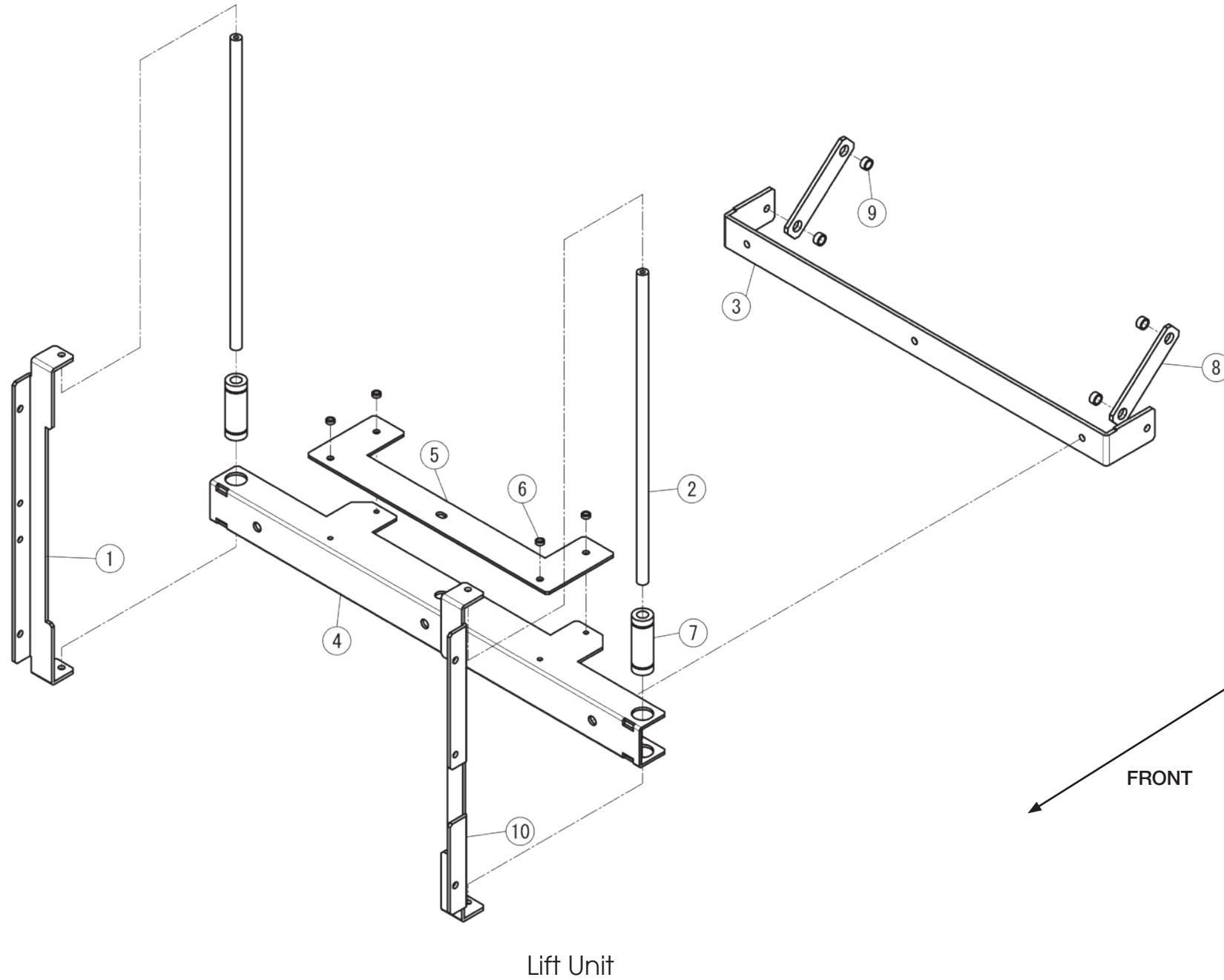
Part Number/Price

REF #	PART #	DESCRIPTION	QTY	SYNONYM	PRICE
1	Consult	Plate B lift head	1	132-6459-31	\$103.00
2	Consult	Guide lift transfer	1	142-6290-01	\$83.00
3	125697	Lift head assembly, center	3	112-6761-01	\$32.00
4	125698	Lift head assembly, left	12	112-6763-08	\$30.00
5	125699	Lift head assembly, right	12	112-6764-01	\$30.00
—	159701	Tapping screw cross flat head M4x14	27	090-0595-01	\$2.00
6	157846	Shaft lift fix	1	101-1727-09	\$13.00
7	157844	Bracket lift fix	1	116-1863-08	\$15.00
8	157845	Plate lift head	1	116-1864-01	\$15.00
9	157847	Spring coil compressive	1	098-3135-01	\$6.00

WM-Nano

Ishida WM-Nano

Lift Unit and Lift Head Unit



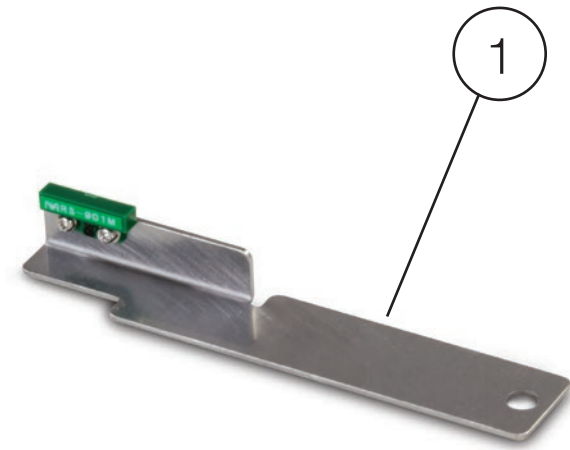
Maintenance Parts Unit

Part Number/Price

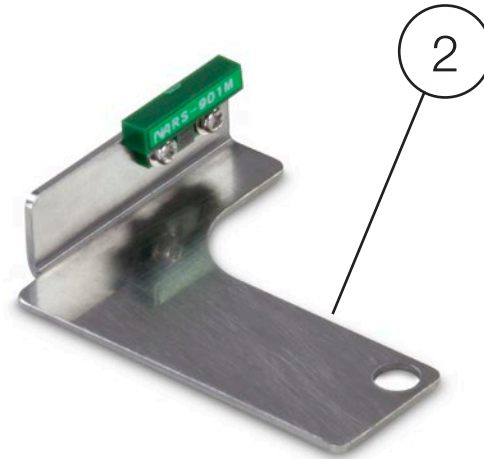
REF #	PART #	DESCRIPTION	QTY	SYNONYM	PRICE
1	151315	Service key, safety bypass, left door	1	142-6091-06	\$85.00
2	151316	Service key, safety bypass, right door	1	142-6092-00	\$85.00
3	164825	T-handle wrench, 4 mm ball end		—	\$17.00
—	Consult	Accessory, skin top, set	1	123-1614-04	\$13.00
—	203091	Cover seal	1	138-2118-02	\$22.00
—	42735	Seal, with wire	1	022-3922-08	\$3.00
—	41811	Sealing screw	2	005-4497-09	\$12.00
—	Consult	Seal set	1	138-2220-37	\$31.00
—	77932	Grease, general purpose lithium, amber, Shell GadusS2 V100 2, 14 oz tube		—	\$21.00
—	77933	Grease, food grade, white aluminum food, CRC SL35600, 14 oz tube		—	\$44.00

Ishida WM-Nano

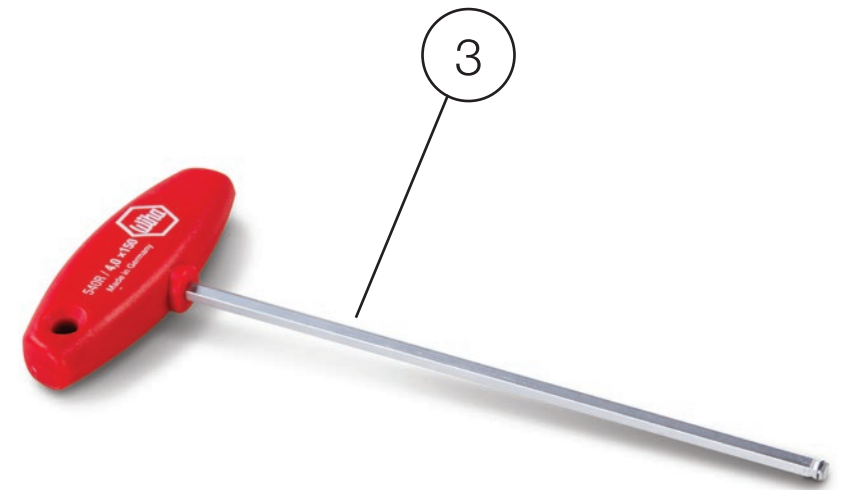
Maintenance Parts Unit



PN 151315



PN 151316



PN 164825

Wrapper Main Body Unit

See Uni-7 RP page 256 for Controller Parts List

Part Number/Price

REF #	PART #	DESCRIPTION	QTY	SYNONYM	PRICE
1	Consult	Frame side R	1	135-4654-53	\$203.00
2	Consult	Frame side L	1	135-4655-48	\$203.00
3	Consult	Cover inside tray	1	135-4670-26	\$48.00
4	Consult	Guide under tray L	1	137-0621-14	\$52.00
5	Consult	Guide under tray R	1	137-0624-24	\$48.00
6	Consult	Cover wiring L	1	137-0559-16	\$22.00
7	Consult	Guide rail upper unit	1	137-0570-09	\$24.00
8	Consult	Guide rail upper unit	1	137-0571-11	\$28.00
9	Consult	Bracket solenoid side	2	136-3945-23	\$19.00
10	179667	Timing belt S3M polished	1	041-2526-03	\$20.00
11	125714	Motor assembly stepping, film feed (M2)	1	137-0538-18	\$405.00
12	Consult	Bracket sensor	1	142-6111-07	\$106.00
	Consult	Bracket sensor (from s/n 100556002) required for 507F and 507R	1	100-048-0070-00	Consult
13	Consult	Cover sensor	1	142-6110-03	\$71.00
	Consult	Cover sensor (from s/n 100556002) required for 507F and 507R	1	100-048-0071-00	Consult
14	Consult	Bracket, adjustable, sensor (from s/n 100556002) required for 507F and 507R	1	100-048-0069-00	Consult
15	Consult	Harness S1, jumper (P-1004 A1 XJ8)	1	137-0659-06	\$9.00
51	Consult	Stay main body F	1	135-4647-48	\$66.00
52	Consult	Stay main body R	1	135-4648-23	\$66.00
53	174431	Foot adjustment	4	001-4902-01	\$8.00
54	Consult	Stay guide tray	1	132-6279-28	\$41.00
55	Consult	Stay front	1	135-4657-27	\$36.00
56	Consult	Stay rear	1	135-4658-21	\$44.00
57	Consult	Guide positioning upper unit	1	135-4659-15	\$33.00
59	Consult	Guide tray	1	137-8077-35	\$80.00
60	Consult	Guide tray	1	137-8078-39	\$80.00
61	Consult	Cover inside upper	1	135-4672-14	\$48.00
62	185555	Cover inside	1	132-6283-60	\$37.00
63	185556	Cover inside	1	132-6284-63	\$37.00
64	Consult	Cover protect F	1	137-0578-08	\$22.00
65	Consult	Cover protect R	1	137-0579-01	\$15.00
66	Consult	Guide link feed	1	137-0569-04	\$14.00
67	Consult	Stay weigh	1	135-4645-04	\$11.00
68	Consult	Stay weigh	1	135-4646-08	\$11.00
69	Consult	Bracket motor stepping	1	135-4860-09	\$19.00
70	203918	Timing pulley S3M C	1	138-5877-07	\$59.00
71	Consult	Bracket solenoid center	2	136-3944-11	\$19.00
72	157782	Spring coil compressive	4	064-0192-06	\$3.00
73	125701	Solenoid assembly clamp (L1, L2, L3, L4)	4	073-7078-01	\$31.00
74	Consult	Link solenoid	4	135-2581-21	\$11.00
75	Consult	Collar	2	017-6857-07	\$7.00
76	Consult	Bracket sensor	2	135-2566-15	\$12.00
77	Consult	Actuator sensor	2	135-2567-55	\$17.00
78	Consult	Collar	2	017-6858-01	\$9.00
79	Consult	Bracket switch	1	137-8232-09	\$141.00
501	72899	Switch push emergency (S2)	1	064-9296-02	\$74.00
502	172632	Thermistor assembly heater right, fan temperature (R141), 3.3K ohm	1	111-8426-11	\$29.00
503	125711	Photo interrupter, sensor, transmitter, high volume, right (B3)	1	112-9768-07	\$11.00
504	125712	Photo interrupter, sensor, receiver, high volume, left (B6)	1	112-9769-01	\$27.00
505	104239	Photo interrupter trans, lift home and film over, white conn. (B1, B9, B10)	3	070-5204-14	\$12.00
506	Consult	Accessory band marking	1	135-0340-04	\$3.00
507†	154221	Sensor assembly, film detect sensor, black (use for both front & rear) (B14, B15)	2	141-6232-07	\$315.00
507F†	211722	Sensor assembly, film detect sensor, front, blue (B14) from s/n 100556002	1	100-047-3317-00	\$289.00
507R†	211723	Sensor assembly, film detect sensor, rear, blue (B15) from s/n 100556002	1	100-047-3318-00	\$289.00
508*	209590	Harness C4 sensor (P-1004 A1 XJ10 to B14, B15, and B16)	1	143-0922-06	\$75.00
509	Consult	Accessory band marking tie	1	142-6393-01	\$3.00
510	Consult	Accessory band marking tie	1	142-6394-04	\$3.00

† Install PN 211722 (blue) and PN 211723 (blue) as a set. Do not mix PN 154221 (black) with either PN 211722 (blue) or PN 211723 (blue).

*See the [WM-Nano Wiring Diagrams on page 206](#) and [page 207](#) for harness details; 1-15, 2-508, 2-602 and 2-603

ISHIDA WM-NANO

Wrapper Main Body Unit

See Uni-7 RP page 256 for Controller Parts List

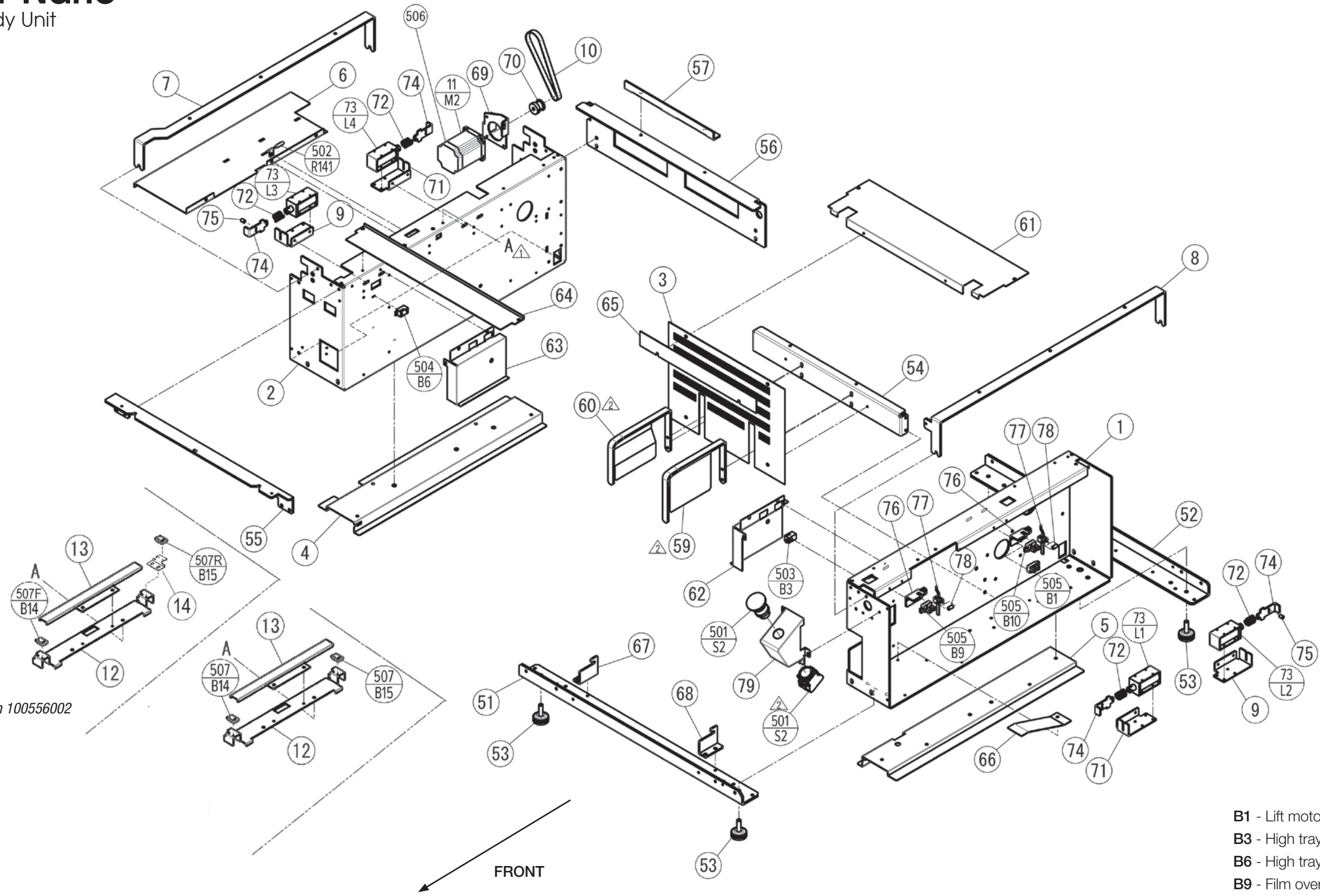
Part Number/Price

REF #	PART #	DESCRIPTION	QTY	SYNONYM	PRICE
602*	Consult	Harness C8 solenoid (P-1004 A1 XJ21, XJ22, and XJ35 to L1, L2, L3, L4, L5, L6, and L7)	1	132-2006-23	\$80.00
603*	181064	Harness C9 sensor (P-1004 A1 XJ7 and XJ11 to B1, B3, B6, B9, B10, X3P, and X4P)	1	132-2007-54	\$133.00
—	41732	Screw, cover, SST, M4x6		00-0237-06	\$2.00

*See the [WM-Nano Wiring Diagrams on page 206](#) and [page 207](#) for harness details; 2-508, 2-602 and 2-603

Ishida WM-Nano

Wrapper Main Body Unit



- B1 - Lift motor home position
- B3 - High tray volume detect, transmitter
- B6 - High tray volume detect, receiver
- B9 - Film over, front
- B10 - Film over, rear
- B14 - Film detect, front
- B15 - Film detect, rear

Wrapping Unit

Part Number/Price

REF #	PART #	DESCRIPTION	QTY	SYNONYM	PRICE
1	157898	Shaft, step, R fold front	3	106-6925-22	\$37.00
2	157950	Holder, shaft	2	098-3131-06	\$5.00
3	Consult	Guide, tray	1	135-2551-38	\$36.00
4	Consult	Stay, discharge	1	135-2816-43	\$36.00
5	153650	Stay, heat insulation	2	135-2815-40	\$28.00
6	153651	Block A, heater	1	137-0620-48	\$37.00
7	153652	Collar A	1	096-0697-39	\$8.00
8	153653	Washer, thrust	2	073-7143-10	\$9.00
9	153654	Bush (included with #10)	2	070-5375-09	\$8.00
10	153655	Roller, rotation, heater (includes #9)	1	112-6814-04	\$149.00
11	153656	O-ring	2	015-8919-07	\$3.00
21	Consult	Frame, wrapper, rear	1	135-2860-48	\$66.00
22	Consult	Stay, frame, wrapping, front	1	135-2953-31	\$52.00
23	Consult	Stay, wrapping, front	1	143-3069-00	\$127.00
24	Consult	Shaft, fulcrum	1	135-2933-00	\$7.00
25	Consult	Bracket, pulley assembly	1	135-2934-21	\$16.00
26	192102	Bearing, radial	2	001-6068-02	\$17.00
27	Consult	Timing pulley, S3M, A	1	138-5875-00	\$81.00
28	Consult	Timing pulley, XL	1	063-8346-04	\$12.00
29	45160	Collar, washer	1	002-8254-03	\$2.00
30	203251	Bearing, shaft	2	108-0297-39	\$6.00
31	172607	Pulley, tension	2	111-8488-03	\$12.00
32	171872	Timing belt, XL	1	108-0399-17	\$13.00
33	197526	Shaft, linear	2	098-8444-19	\$67.00
34	203252	Stay, fold R	1	135-2681-20	\$13.00
35	Consult	Holder, belt	1	135-2909-00	\$3.00
36	203254	Stay, fold L	1	135-2910-13	\$11.00
37	173743	Holder, belt	1	068-5090-25	\$3.00
38	161661	U plate B, detect	1	135-2911-35	\$10.00
39	167403	Housing, linear	4	057-0390-00	\$14.00
40	167404	Bearing liner bush	8	028-1515-01	\$34.00
41	Consult	Stay, linear shaft	1	135-2951-07	Consult
42	Consult	L plate B, R fold	1	135-2925-19	\$68.00
43	Consult	Rail, guide	1	135-2592-03	\$52.00
44	Consult	Block B, slide, pusher	2	111-8459-05	\$15.00
45	Consult	Housing, F, S	2	076-1759-04	\$19.00
46	157899	Bearing, linear bush	4	068-5132-00	\$21.00
47	157950	Holder, shaft	4	098-3131-06	\$5.00
49	Consult	Stay, drive, pusher	1	135-2928-10	\$88.00
50	Consult	Frame, pusher	1	144-5773-21	\$29.00
51	171609	Pusher, right, outside	2	144-5708-10	\$50.00
52	171610	Pusher, left, outside	2	144-5707-16	\$50.00
55	157847	Spring, coil, compressive	1	098-3135-01	\$6.00
56	157846	Shaft, lift, fix	1	101-1727-09	\$13.00
57	157844	Bracket, lift, fix	1	116-1863-08	\$15.00
58	157845	Plate, lift head	1	116-1864-01	\$15.00
59	198651	Collar, SST	2	112-6872-01	\$2.00
60	175680	Lever, drive	2	135-2958-30	\$23.00
61	Consult	Lever, drive	1	137-0648-23	\$20.00
62	125701	Solenoid, assembly, arm in (closed) (L5, L6)	2	073-7078-01	\$31.00
63	125700	Solenoid assembly, arm out (open) (L8)	1	111-8041-11	\$38.00
64	172652	Spring, coil, compressive	2	079-1005-20	\$6.00
65	175681	Collar, guard	3	096-7137-08	\$9.00
66	175682	Collar, step	3	098-0717-25	\$17.00

Wrapping Unit

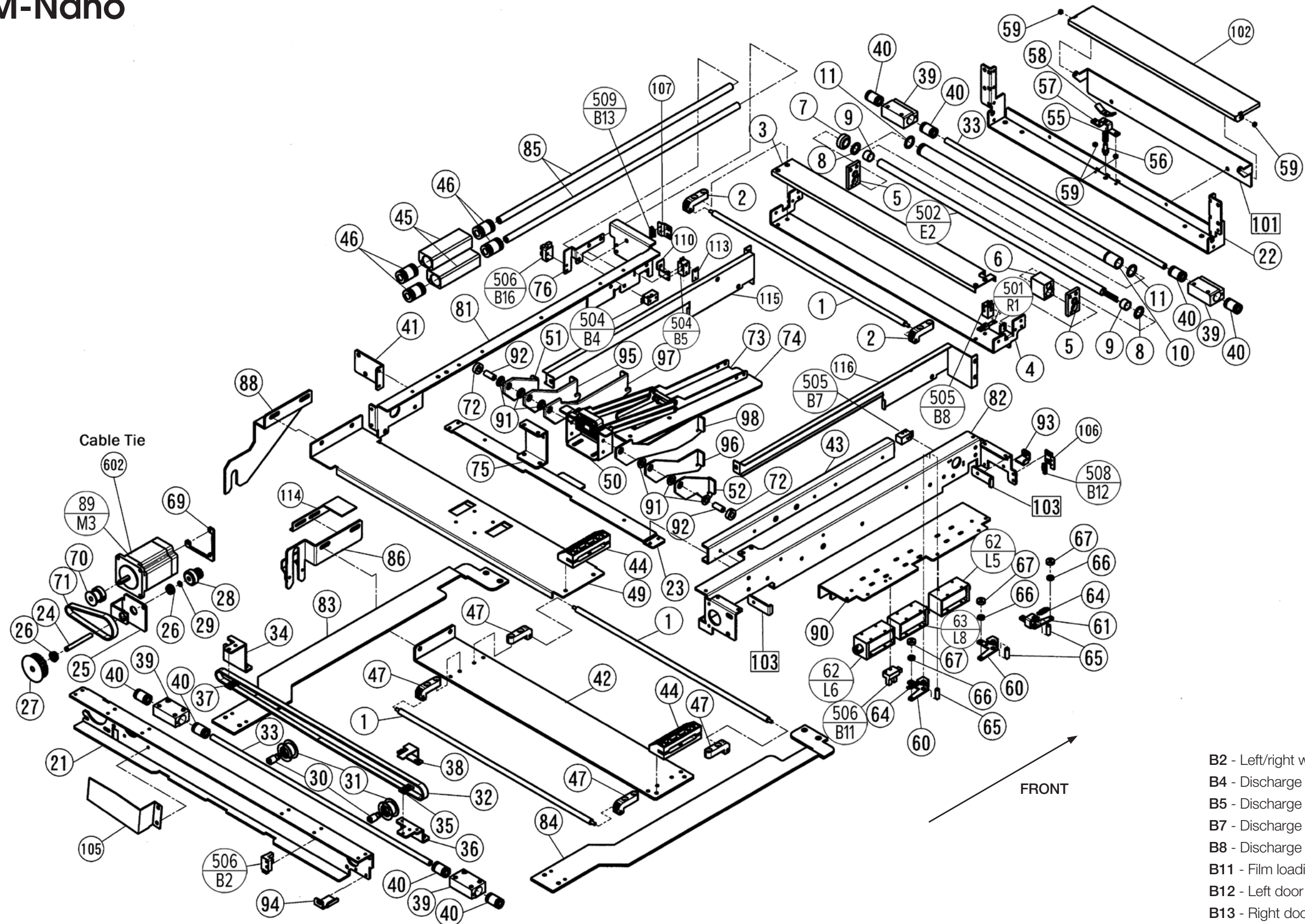
Part Number/Price

REF #	PART #	DESCRIPTION	QTY	SYNONYM	PRICE
67	175684	Bearing, radial	3	000-3694-06	\$10.00
69	Consult	Bracket, motor, stepping	1	135-2932-15	\$7.00
70	203918	Timing pulley, S3M C	1	138-5877-07	\$59.00
71	163309	Timing belt, S3M	1	138-5879-04	\$9.00
72	187475	Collar A	4	095-9235-00	\$16.00
73	Consult	Tray hold assembly	1	142-1864-00	\$262.00
74	Consult	Plate B, guide, tray	1	142-1861-09	\$80.00
75	Consult	U plate A, tray hold	1	142-1863-06	\$52.00
76	Consult	Bracket, sensor, back fold	1	143-3076-06	\$37.00
81	Consult	Frame, wrapping, side right	1	135-2858-31	\$63.00
82	Consult	Frame, wrapping, side left	1	135-2861-41	\$74.00
83	171669	Folder, side, right, wrap plate	1	144-5972-08	\$202.00
--	167297	Hex socket bolt, counter sink, M4x10 SST	8	048-0483-01	\$1.00
84	171670	Folder, side, left, wrap plate	1	144-5973-01	\$202.00
85	Consult	Shaft, linear	2	135-2919-07	\$71.00
86	Consult	Joint, drive, fold	1	135-2921-41	\$41.00
88	Consult	Joint, drive, pusher	1	135-2926-12	\$31.00
89	125714	Motor assembly, stepping, side folders (M3)	1	137-0538-18	\$405.00
90	Consult	Bracket, solenoid	1	135-2956-14	\$37.00
91	186769	Bush, front frame	2	031-9453-01	\$4.00
92	Consult	Collar	1	059-1079-09	\$7.00
93	Consult	Stopper, arm, front, inside	1	138-2259-04	\$10.00
94	Consult	Stopper, arm, rear, inside	1	138-2260-09	\$12.00
95	171611	Pusher, right, center	1	144-5711-11	\$50.00
96	171612	Pusher, left, center	1	144-5710-18	\$50.00
97	171613	Pusher, right, inside	1	144-5705-19	\$50.00
98	171614	Pusher, left, inside	1	144-5701-14	\$50.00
101	Consult	Stay, guide, safety	1	135-2954-17	\$24.00
102	Consult	Guard, safety	1	135-2952-29	\$48.00
103	197169	Stopper, arm, outside	2	135-2930-09	\$9.00
105	197170	Cover, belt	1	137-0657-09	\$17.00
106	193531	Bracket, sensor, left	1	137-8056-19	\$14.00
107	193532	Bracket, sensor	2	138-2265-07	\$13.00
110	Consult	Bracket, sensor, light	1	141-6055-04	\$30.00
113	189254	Sheet, sensor photo	2	095-4038-04	\$3.00
114	Consult	Detect plate, back fold	3	143-3075-11	\$37.00
115	Consult	Cover, wrapping inner, right	1	000-142-6124-14	\$147.00
116	Consult	Cover, wrapping inner, left	1	000-142-6125-18	\$147.00
501	153657	Thermistor assembly, for seal bar (R1), 3.1K ohm	1	072-2291-03	\$28.00
502	153658	Heater assembly, seal bar (E2), 133 ohm	1	137-0612-01	\$614.00
504	125711	Photo interruptor, sensor, transmitter, safety and tray exit (B4, B5) Note: transmit sensor does not include item #113 189254 sheet, sensor which is needed at B4	2	112-9768-07	\$11.00
505	125712	Photo interruptor, sensor, receive, safety and tray exit (B7, B8)	2	112-9769-01	\$27.00
Assembly	201989	Kit, photo interruptors and sensor sheet, one each of 125711, 125712 and 189254	—	—	\$38.00
506	104239	Photo interruptor, transmitter, L/R wrap-home, rear wrap-limit, and film arm-open, white conn. (B2, B11, B16)	3	070-5204-14	\$12.00
508	125710	Sensor assembly, magnetic, proximity, green, left door (B12)	1	137-0521-15	\$51.00
—	189088	Screw, mount, Phillips pan head, M2x4 SST	2	000-000-0067-00	\$2.00
509	125709	Sensor assembly, magnetic, proximity, green, right door (B13)	1	137-0522-19	\$51.00
—	189088	Screw, mount, Cross-Head, M2x4, SST	4	—	\$2.00
602	Consult	Accessory, band, marking	1	135-0341-08	\$3.00
603*	Consult	Harness, C4, solenoid (X2 to L5, L6 and L7)	1	135-0159-24	\$44.00
604*	169974	Harness, C2, ST motor (P-1006 A2 XJ4 to M3)	1	135-0163-11	\$36.00
605*	210885	Harness, C4, sensor (X4 to B4, B5, and B13)	1	132-2005-48	\$43.00
606*	210886	Harness, C5, sensor (X3 to B2, B7, B8, and B11)	1	135-0158-49	\$80.00
607*	210887	Harness, C2, sensor (X5 to B16)	1	143-0923-00	\$34.00
	200488	Screw set M4x6			\$2.00
	173777	Screw set M6-1.0 x 8 mm			\$1.00

* See the [WM-Nano Wiring Diagrams on page 206](#) and [page 207](#): items 3-603 to 3-607

Ishida WM-Nano

Wrapping Unit



- B2 - Left/right wrap plates home position
- B4 - Discharge safety, transmitter
- B5 - Discharge tray detect, transmitter
- B7 - Discharge safety, receiver
- B8 - Discharge tray detect, receiver
- B11 - Film loading arm open/closed
- B12 - Left door open/closed
- B13 - Right door open/closed
- B16 - Rear wrap plate front limit position

Ishida RSB-3000



RSB-3000

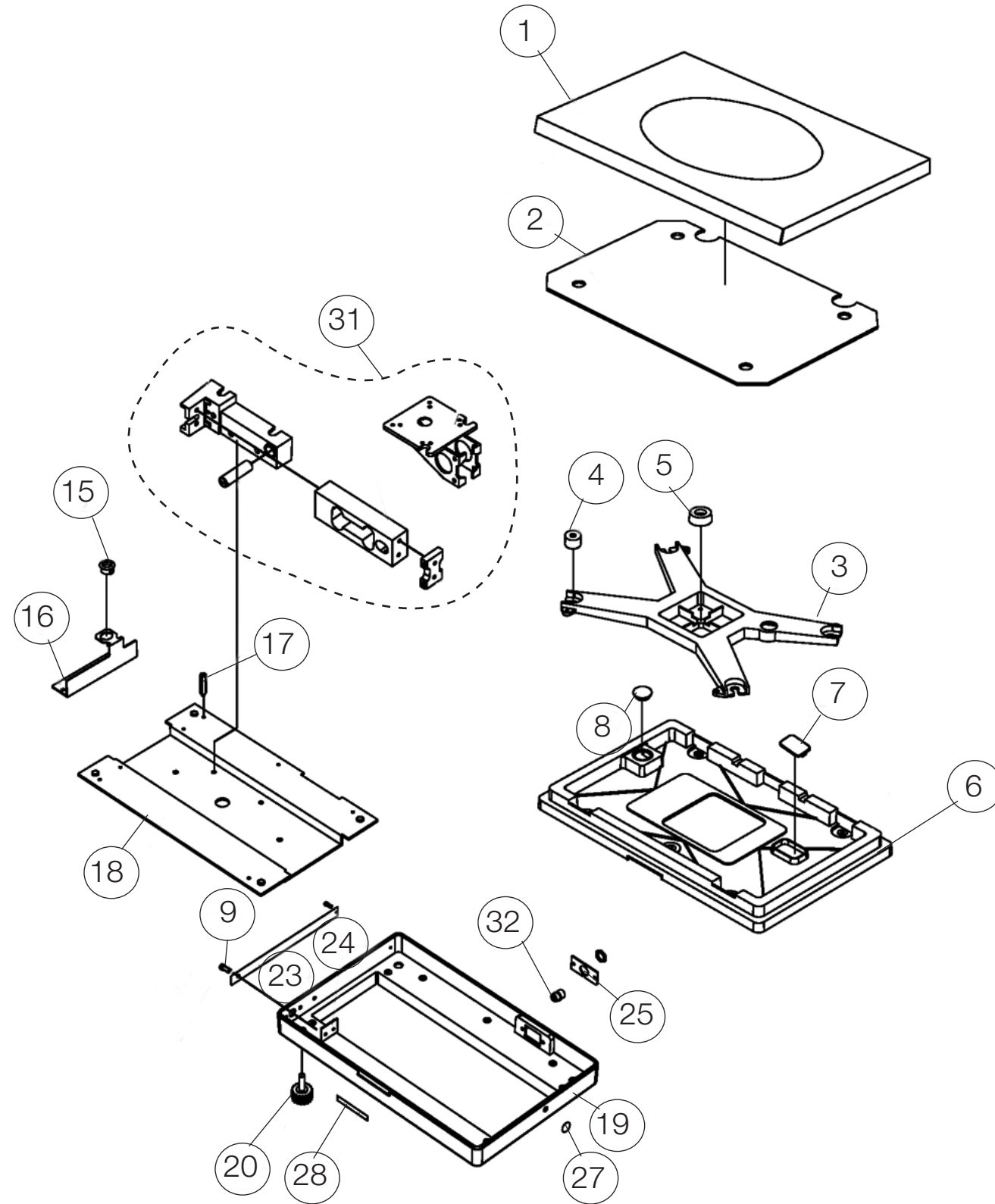
Scale Assembly

Part Number/Price

REF #	PART #	DESCRIPTION	PRICE
1	47033	Scale platter	\$73.25
2	45151	Sheet, insulator	\$28.00
3	45144	Platter supporter	\$40.00
4	41706	Supporter rubber	\$3.00
5	47036	Rubber pad	\$3.00
6	47029	Enclosure, top cover	\$79.00
7	47034	Cap	\$19.00
8	42857	Level lens	\$4.00
9	Consult	Push rivet	\$1.25
15	Consult	Level assembly	\$11.50
16	Consult	Bracket level	\$52.25
17	47021	Threaded rod, hex, mf	\$8.00
18	47022	Base	\$62.00
19	47019	Main body, base cover	\$133.00
20	47024	Leg, level adjust	\$5.00
23	Consult	Name plate special	\$8.50
24	Consult	Plate A	\$9.50
25	Consult	Plate B metal	\$11.50
27	47025	Seal	\$2.00
28	47031	Name plate, "Ishida"	\$4.75
29	42734	Push rivet	\$2.00
30	Consult	Name plate, specification	\$2.25
31	85826	Load cell assembly	\$369.00
32	162960	Connector, round (mounted on RSB-3000 body)	\$32.00
ASSEMBLY	111368	RSB-3000, includes base, A/D harness, two ferrite cores	\$893.00
999	85830	Harness, RSB-3000 to scale controller (not pictured) (does not include 41738 or 106107)	\$79.00
999	41738	Plug, internal A/D board connection at scale controller	\$2.00
999	106107	Pin, crimp, internal A/D board connection at scale controller (5 pc required)	\$2.00

Ishida RSB-3000

Scale Assembly



Ishida Uni-9DB RP



Uni-9RP

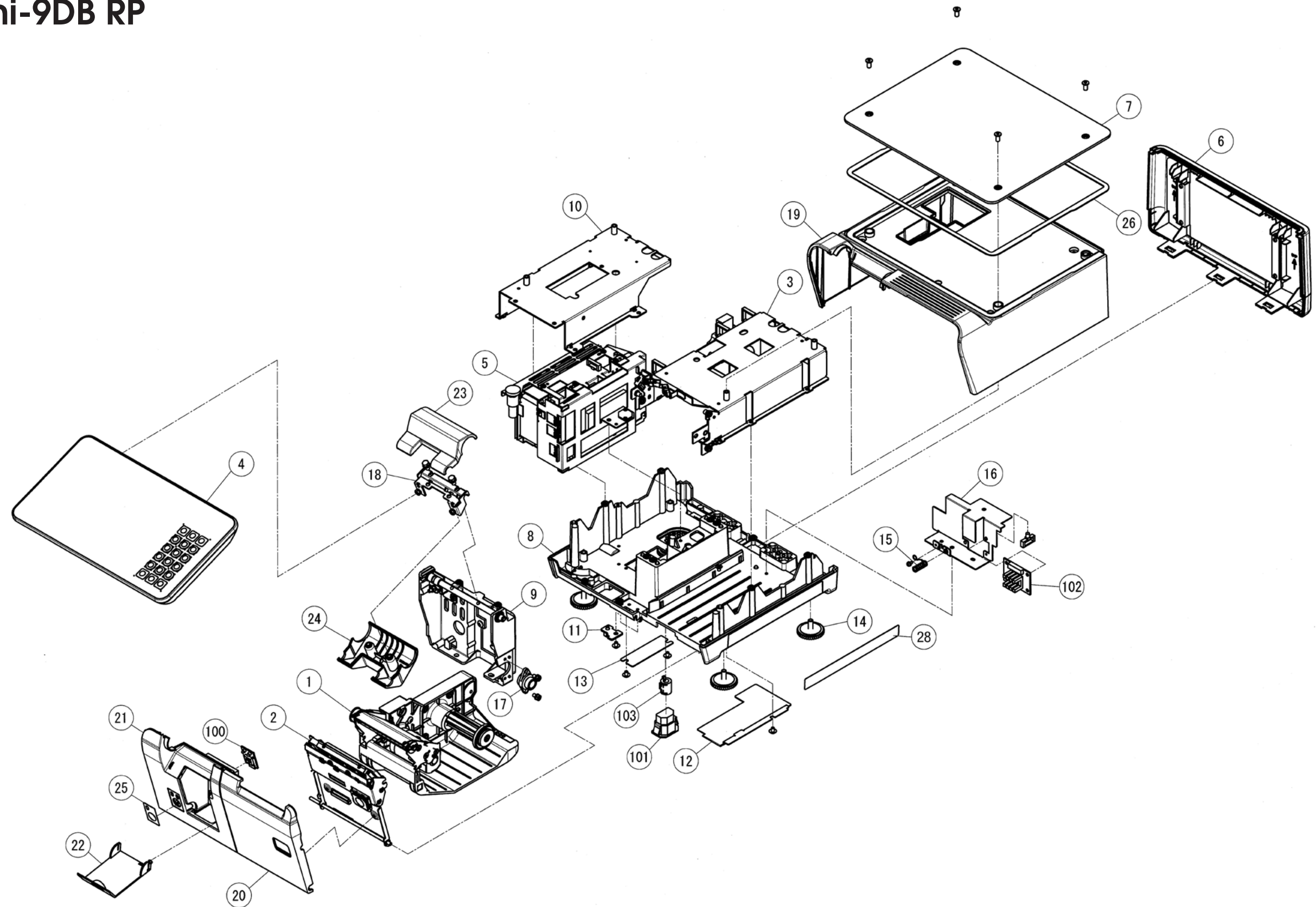
Main Body Unit

Part Number/Price

REF #	PART #	DESCRIPTION	QTY	SYNONYM	PRICE
1	155393	Cassette unit	1	000-138-1679-12	\$253.00
2	Consult	Printer unit, Uni-9	1	100-000-6494-03	Consult
3	Consult	Printer frame unit, Uni-9	1	000-138-1706-09	Consult
4	Consult	Operation unit, Uni-9	1	100-005-9845-00	Consult
5	Consult	Electric unit, Uni-9, DXL	1	100-005-9855-00	Consult
6	Consult	Display unit, Uni-9, XL	1	000-138-1698-02	Consult
7	187269	Cover, top	1	000-138-1533-02	\$127.00
8	Consult	Base, Main body	1	000-138-1695-01	\$141.00
9	Consult	Frame assembly, main body, front	1	000-138-1968-08	\$85.00
10	Consult	Frame, main body, left	1	000-138-1592-11	\$44.00
11	186489	Stopper, fulcrum, printer unit	1	000-138-1590-13	\$4.00
12	186490	Cover, harness, lower	1	000-138-1550-14	\$11.00
13	186491	Plate B	1	000-138-1549-10	\$3.00
14	158254	Foot, adjust	4	000-138-1751-07	\$10.00
15	182932	Spring, coil, compressive	1	000-138-1543-18	\$5.00
16	186492	Bracket, sensor, cassette	1	000-138-1544-11	\$11.00
17	184766	Dumper, rotary	1	000-138-1646-09	\$12.00
18	186493	Stay, hinge, operation unit	1	000-138-1793-03	\$6.00
19	162421	Case, main body	1	000-138-1643-36	\$78.00
20	158255	Cover, front, printer	1	000-138-1545-15	\$9.00
21	158256	Cover, front, panel	1	000-137-0867-13	\$11.00
22	158257	Cover, connector	1	000-138-1546-19	\$6.00
23	186494	Cover, hinge, upper	1	000-138-1794-07	\$4.00
	Consult	Cover, hinge, upper, with integrated bumpers	1	100-049-3975-00	Consult
24	186495	Cover, hinge, lower	1	000-138-1795-01	\$5.00
25	158260	Sheet, switch	1	000-138-1660-01	\$8.00
26	165190	Gasket	1	000-138-1638-27	\$41.00
28	186497	Name plate, EMC	1	100-000-5604-00	\$6.00
100	158263	PWB P-984, ON/OFF key	1	000-106-1319-21	\$50.00
101	186496	AC inlet assembly	1	000-137-0801-36	\$17.00
102	87532	Sensor, cassette number	1	000-064-5586-08	\$46.00
103	186416	Filter, Ferrite core	1	000-074-0771-01	\$11.00
999	119506	Power cord, 90 degree molded	1	000-089-5787-04	\$23.00

Ishida Uni-9DB RP

Main Body Unit



Electric Unit and Wiring Diagram

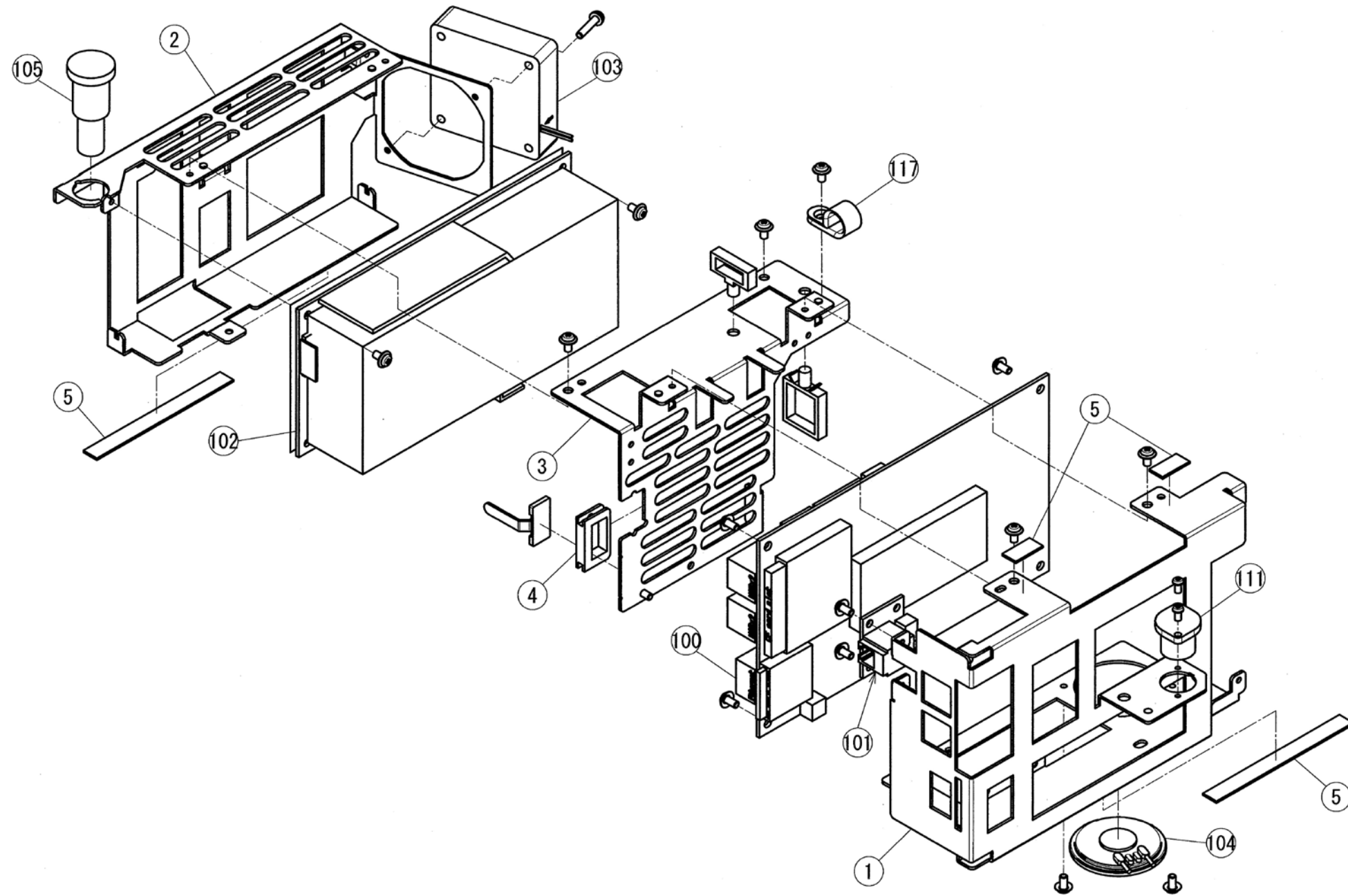
Part Number/Price

REF #	PART #	DESCRIPTION	QTY	SYNONYM	PRICE
1	Consult	Bracket, PWB	1	000-137-0872-12	\$17.00
2	Consult	Bracket, PS	1	000-137-0871-28	\$11.00
3	182929	Guide, harness	1	000-138-1542-23	\$10.00
4	186510	Accessory, fastener, edge saddle	1	000-064-0360-05	\$3.00
5	186511	Gasket	1	000-141-6196-06	\$4.00
100	158280	PWB, P-1100A-2, main CPU board	1	000-141-6280-30	\$1,744.00
—	200246	CF card, SSD with OS, Uni-9DB	1		\$379.00
101	158281	PWB P-1117, cash drawer relay board	1	000-138-5925-02	\$22.00
102	154777	Power supply, switching	1	000-138-5941-02	\$161.00
103	181152	Fan assembly	1	000-141-6085-15	\$74.00
104	181153	Speaker assembly	1	000-140-7073-26	\$28.00
105	186512	Fuse holder assembly	1	000-138-5697-21	\$40.00
106	125707	Fuse, glass tube	1	000-069-2407-00	\$6.00
107	186513	Harness, C3, power supply	1	000-137-0804-38	\$12.00
108	186514	Harness, C6, sensors	1	000-137-0813-41	\$29.00
109	186515	Harness, C3, label motor	1	000-138-5939-23	\$14.00
110	186518	Harness, S2, power supply switch	1	000-137-0798-39	\$9.00
111	187276	Harness, C5, weigh, to remote scale base	1	000-138-5863-52	\$75.00
113	186519	Harness, C6, operator display	1	000-138-5920-50	\$195.00
114	186520	Harness, S1, jumper	1	000-133-8499-17	\$8.00
115	186521	Filter, Ferrite core	1	000-072-2454-03	\$12.00
116	186522	Filter, Ferrite core	1	000-096-9524-03	\$11.00
117	186534	Accessory, clamp, shield display unit	1	000-135-7195-06	\$5.00
999	119506	Power cord, 90 degree molded	1	000-089-5787-04	\$23.00
Wi-Port and Wireless Options					
999	119159	Antenna, WiFi	1	000-089-5639-06	\$89.00
999	165194	Antenna, bracket, hidden	1	000-5592-00	\$19.00
999	119158	PWB PK-265A, RF wireless card, Wi-Port	1	000-089-8141-09	\$623.50

See the [Uni-9DB RP Wiring Diagram on page 242](#) for harness details: items 2-107 to 2-114

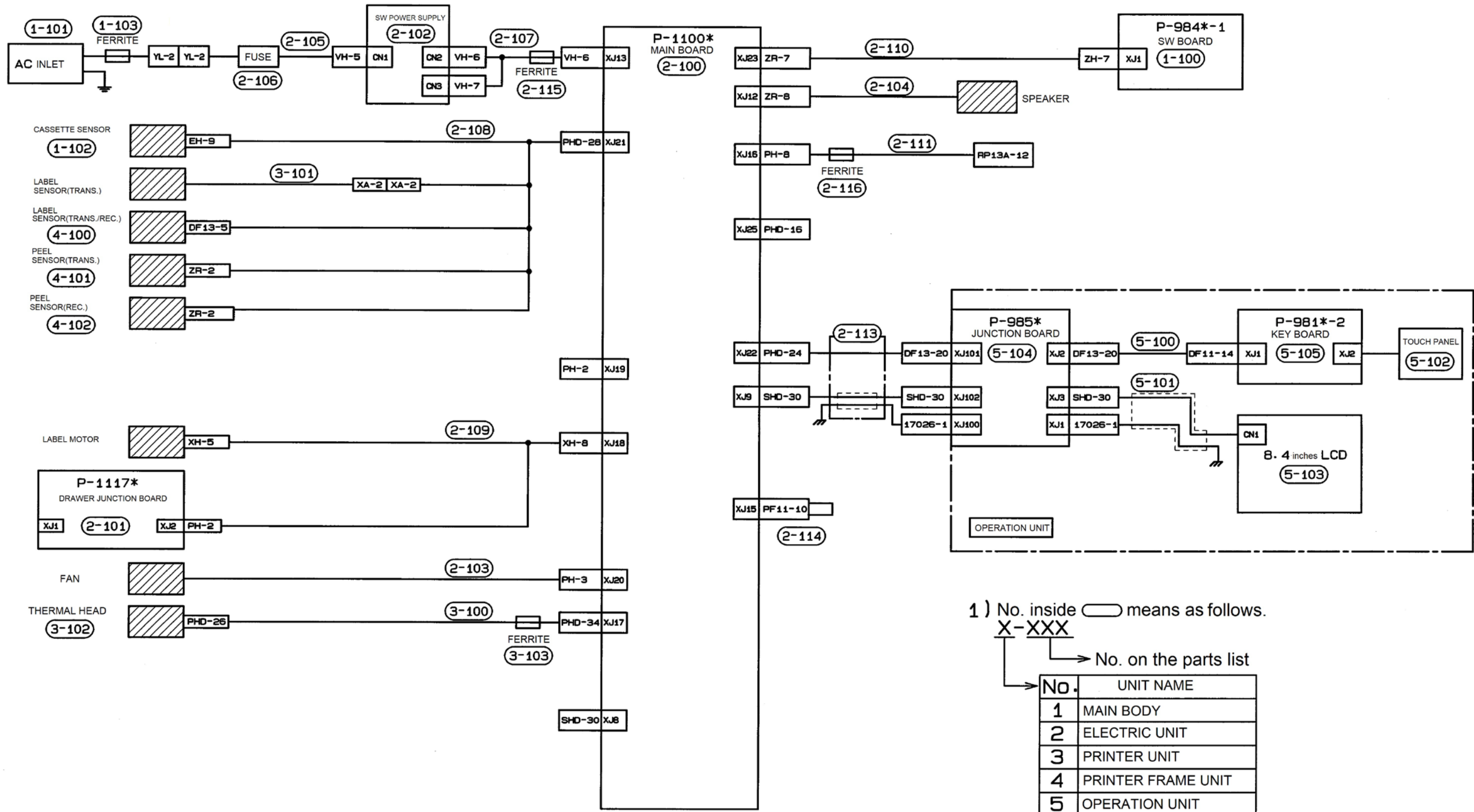
Ishida Uni-9DB RP

Electric Unit and Wiring Diagram



Ishida Uni-9DB RP

Wiring Diagram



Printer Unit

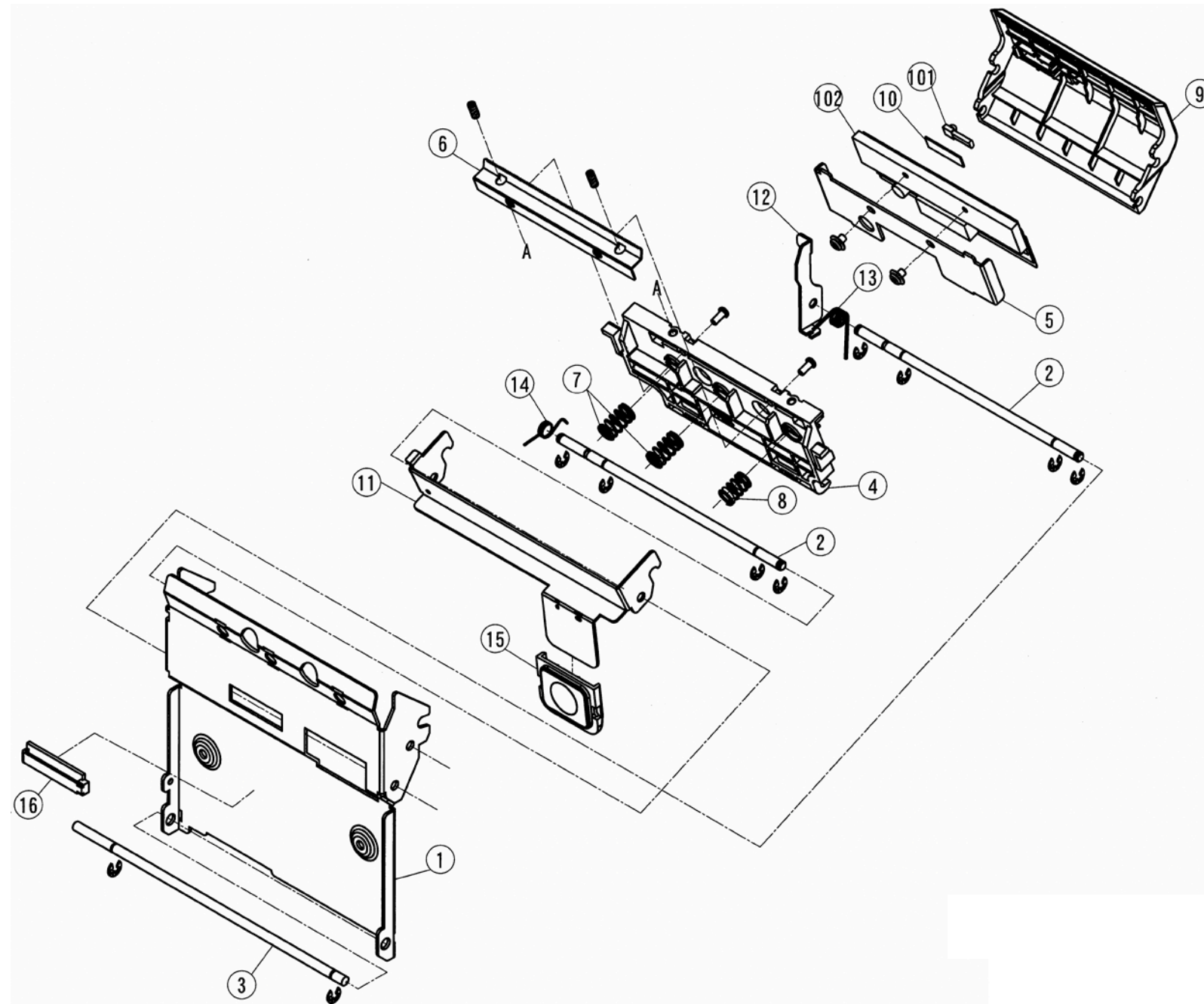
Part Number/Price

REF #	PART #	DESCRIPTION	QTY	SYNONYM	PRICE
1	Consult	Frame, printer unit	1	000-137-0874-10	\$8.00
2	186524	Shaft, fulcrum, hook	2	000-138-2466-09	\$8.00
3	186525	Shaft, fulcrum, printer unit	1	000-138-2465-14	\$6.00
4	186526	Bracket, head	1	000-138-2467-11	\$5.00
5	182933	Stay, head	1	000-137-0855-19	\$4.00
6	158270	Cutter, receipt, serrated tear bar	1	000-138-1619-26	\$5.00
—	181680	Label support, black, Z bracket		000-146-5498-03	\$71.00
—	26408	Bumper, rubber (apply to display hinge)		—	\$2.00
7	182934	Spring, coil, compressive	2	000-138-1652-01	\$3.00
8	182935	Spring, coil, compressive	1	000-138-1653-05	\$3.00
9	186527	Bracket, LED	1	000-137-0856-12	\$4.00
10	186528	Plate, cover, sensor	1	000-137-0864-03	\$4.00
11	182936	Hook, fix, printer unit	1	000-137-0875-22	\$9.00
12	182937	Lever, release hook	1	000-138-1622-19	\$4.00
13	182938	Spring, coil, twist	1	000-138-1654-18	\$2.00
14	182939	Spring, coil, twist	1	000-138-1655-11	\$3.00
15	182940	Cap, lever	1	000-137-0876-17	\$3.00
16	186529	Accessory, clamp, flat cable	1	000-150-3050-07	\$3.00
100*	181147	Harness, C2, thermal head	1	000-137-0812-38	\$31.00
101	181148	Sensor, label gap, transmitter, C2 with harness	1	100-025-8036-01	\$12.00
102	158271	Print head, thermal	1	100-004-8305-00	\$252.00
103	186530	Filter, Ferrite core	1	000-102-3466-01	\$9.00
104	Consult	Gasket, conductive	1	100-024-1071-00	\$2.00
105	Consult	Gasket, conductive	1	100-002-0167-00	\$3.00

* See the [Uni-9DB RP Wiring Diagram on page 242](#); item 3-100

Ishida Uni-9DB RP

Printer Unit



Printer Frame Unit

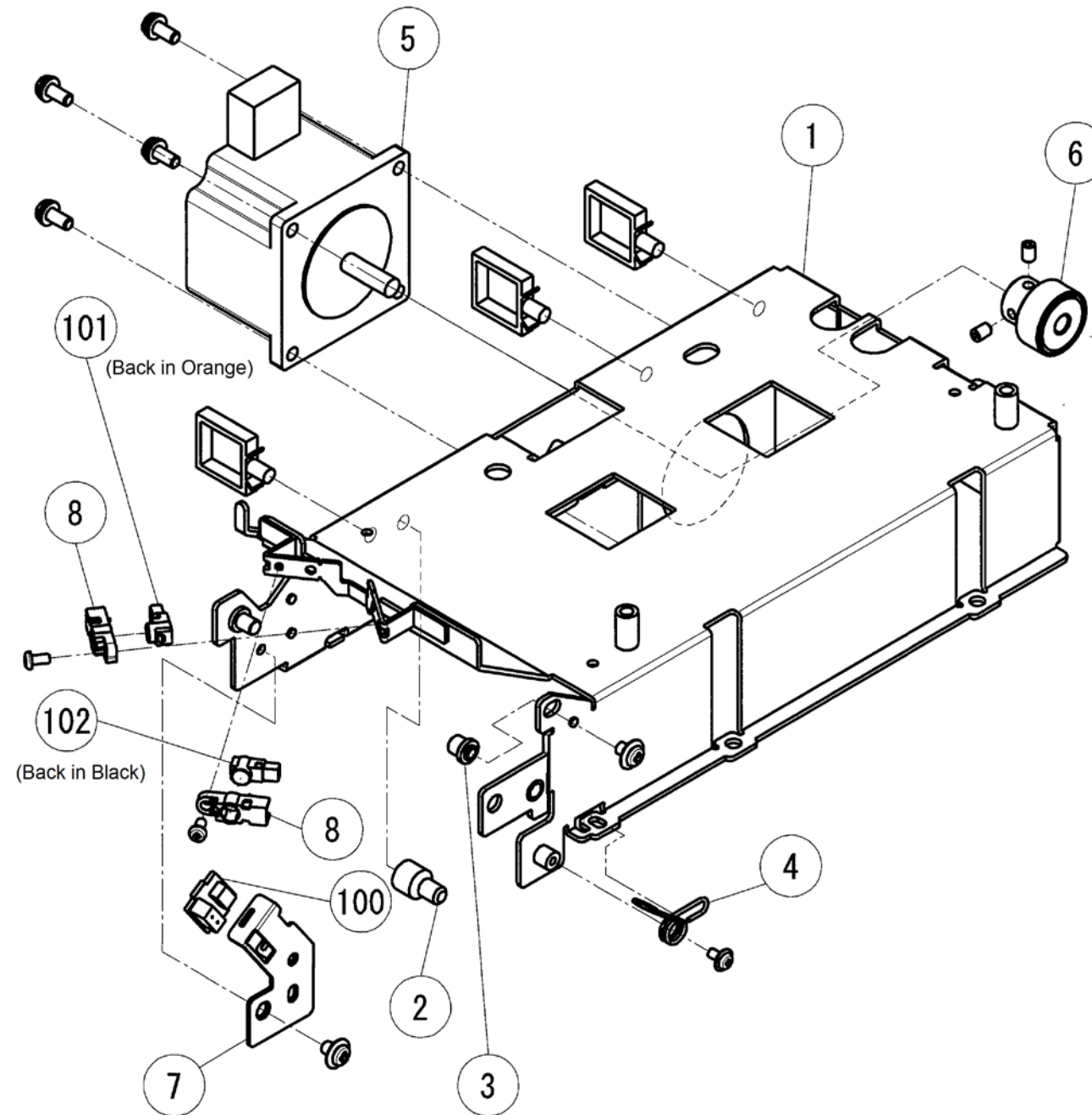
Part Number/Price

REF #	PART #	DESCRIPTION	QTY	SYNONYM	PRICE
1	Consult	Frame, printer	1	000-137-0859-22	\$63.00
2	173888	Pin, fix, cassette, left	1	000-138-1531-04	\$6.00
3	181149	Pin, fix, cassette, right	1	000-138-1532-08	\$5.00
4	181150	Spring, coil, twist	1	000-138-1530-01	\$4.00
5	119168	Motor, stepping	1	000-089-5513-01	\$169.00
6	181151	Gear, flat	1	000-138-1596-15	\$12.00
7	186531	Bracket, sensor, label	1	000-138-1591-17	\$10.00
8	186532	Holder, sensor	2	000-137-0857-16	\$2.00
100	87533	Sensor, label gap, receiver	1	000-105-5249-09	\$43.00
101	158272	Photo interruptor, transmitter, orange back, peel sensor, right	1	000-137-0791-05	\$11.00
102	158274	Photo interruptor, receiver, black back, peel sensor, left	1	000-137-0792-09	\$10.00

Uni-9RP

Ishida Uni-9DB RP

Printer Frame Unit



Operation Unit

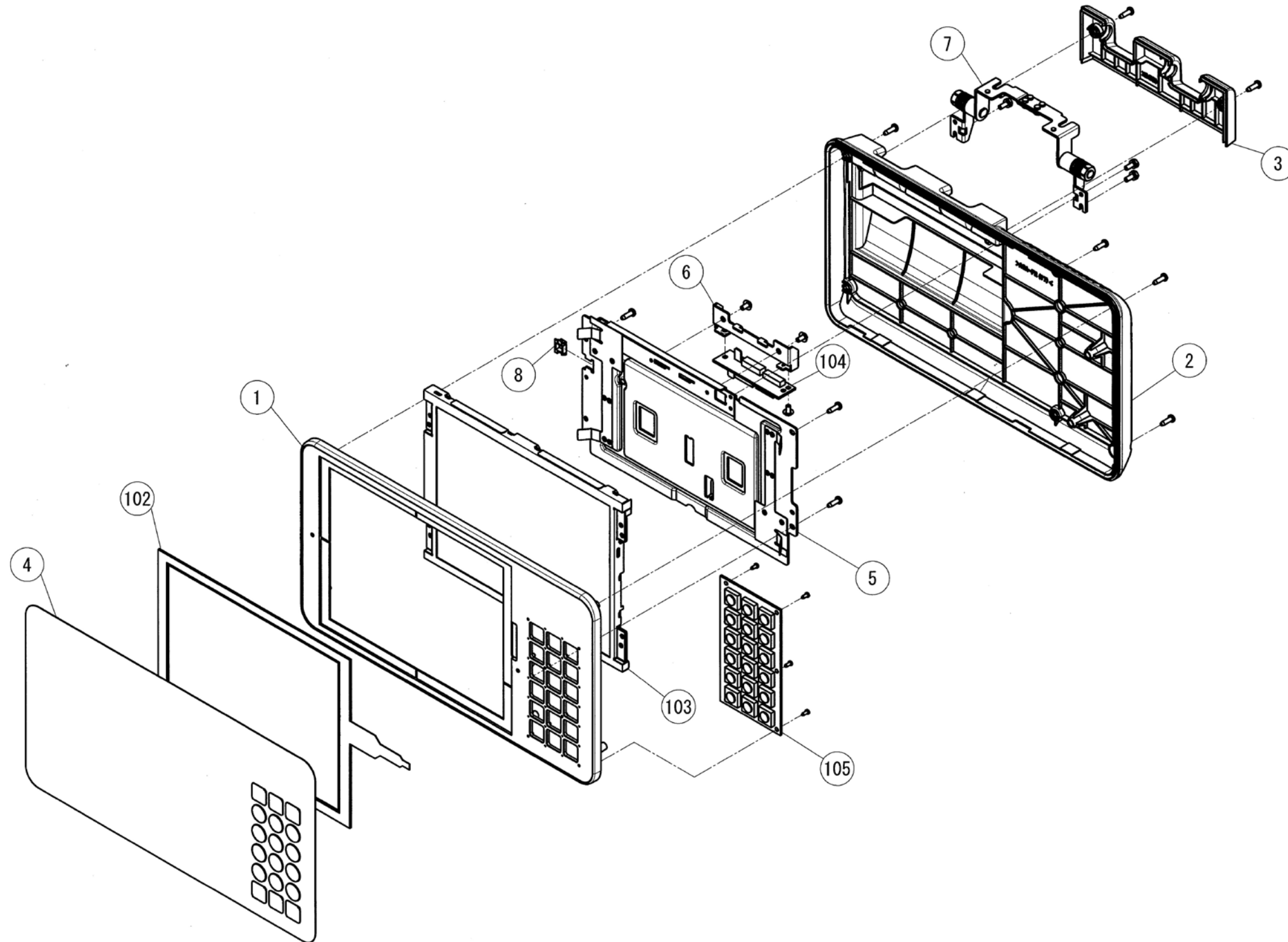
Part Number/Price

REF #	PART #	DESCRIPTION	QTY	SYNONYM	PRICE
1	185536	Case, controller, front	1	000-138-1788-04	\$19.00
2	185537	Case, controller, rear	1	000-138-1789-08	\$29.00
3	185538	Cover, display, connector	1	000-138-1790-02	\$5.00
4	185539	Sheet, display	1	100-005-0797-00	\$87.00
5	185540	Frame, operation	1	000-138-1792-00	\$21.00
6	185541	Bracket, board, junction	1	000-138-2444-16	\$5.00
7	185542	Hinge assembly, torque	1	000-141-9508-05	\$47.00
8	185543	Accessory, fastener, edge saddle	1	000-106-7324-00	\$2.00
100*	185544	Harness, C2, display, internal	1	000-138-5922-39	\$13.00
101*	185545	Harness, C4, LCD, internal	1	000-140-7163-29	\$75.00
102	87529	Touch panel, analog	1	100-024-0087-00	\$120.00
103	185546	Display, LCD, TFT	1	000-142-1591-03	\$506.00
104	87519	PWB P-985 display harness junction board	1	000-102-3034-15	\$50.00
105	87525	PWB P-981-2, tactile keyboard	1	000-100-8470-10	\$80.00

* See the [Uni-9DB RP Electric Unit Wiring Diagram on page 242](#); items 5-100 and 5-101

Ishida Uni-9DB RP

Operation Unit



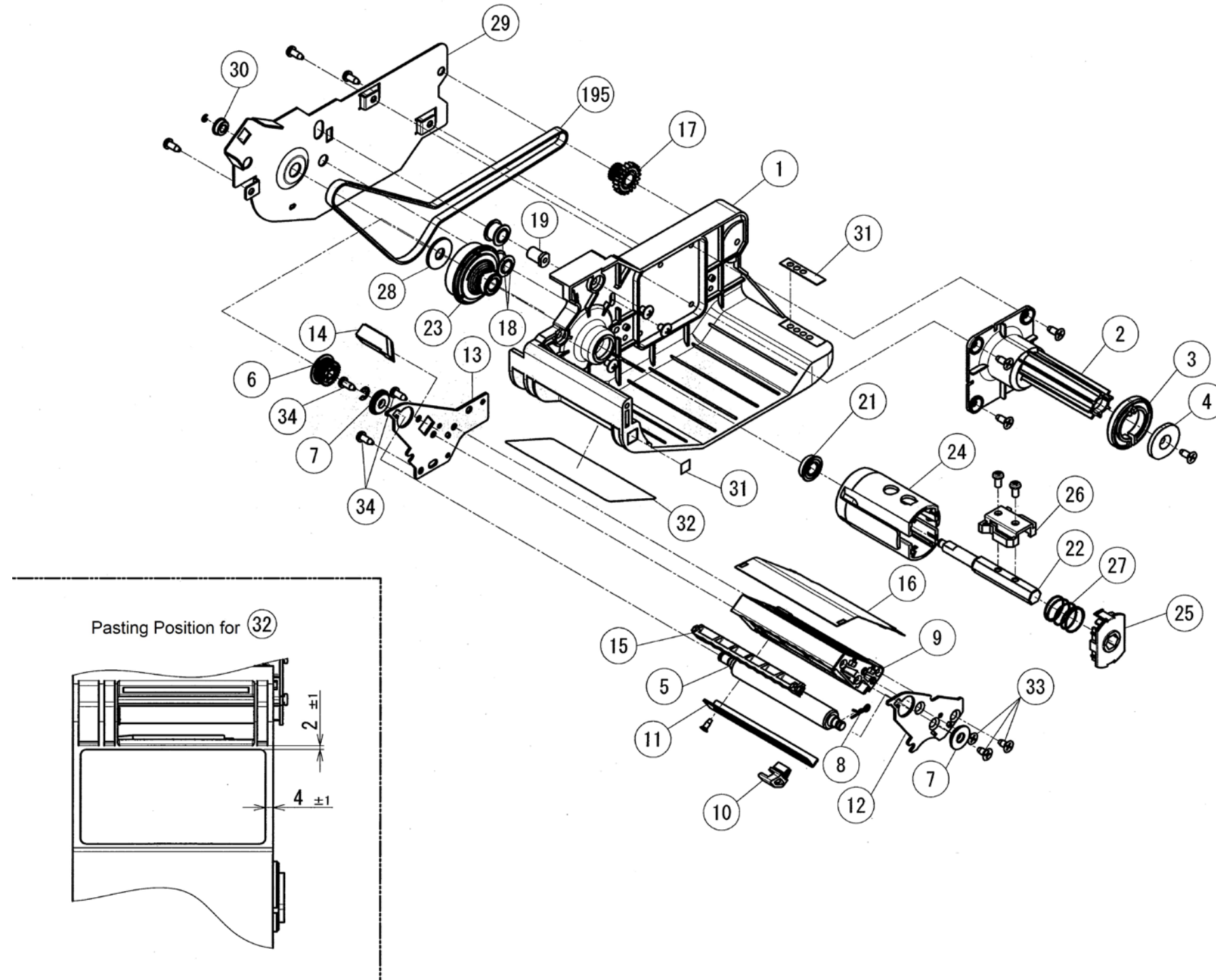
Cassette Unit

Part Number/Price

REF #	PART #	DESCRIPTION	QTY	SYNONYM	PRICE
Assembly	155393	Cassette unit, complete, Uni-9	1	000-142-6057-09	\$253.00
1	182006	Main body, cassette	1	000-138-1535-09	\$31.00
2	181135	Holder, label roll	1	000-138-1553-06	\$28.00
3	181136	Guide, label roll, green	1	000-138-1555-03	\$24.00
4	181137	Stopper, guide, label roll	1	000-138-1558-04	\$24.00
5	163028	Roller, print	1	100-008-0878-00	\$84.00
6	175372	Timing pulley, S2M	1	000-138-1585-05	\$16.00
7	181138	Bush, flange	2	000-138-1536-02	\$39.00
8	181139	Snap pin	1	000-005-8596-09	\$2.00
9	182007	Frame, holder, roller	1	000-138-1551-09	\$9.00
10	181140	Guide, label	1	000-138-1559-08	\$16.00
11	182036	L plate B, guide, label	1	000-138-1583-08	\$10.00
12	182037	Plate B, holder, platen, right	1	000-138-1582-04	\$23.00
13	182038	Plate B, holder, platen, left	1	000-138-1537-06	\$25.00
14	182039	Block B, prism	1	000-138-1557-01	\$20.00
15	182041	Block B, peel, label	1	000-137-0862-06	\$6.00
16	182043	Cover, platen, dip proof	1	000-138-1584-01	\$20.00
17	175375	Timing pulley, S2M, w/gear	1	000-138-1586-09	\$14.00
18	181141	Pulley, idler	2	000-138-1556-07	\$54.00
19	181142	Shaft, fulcrum, pulley	1	000-138-1534-05	\$20.00
21	172635	Bearing, radial	1	000-000-3727-05	\$14.00
22	181143	Shaft, wind, bobbin	1	000-138-1552-02	\$51.00
23	181144	Torque limiter	1	000-138-2000-07	\$51.00
24	162104	Bobbin, roll	1	000-089-5550-09	\$4.00
25	167494	Cover, roll	1	000-089-5551-02	\$2.00
26	162102	Stopper, holder, label	1	000-089-5554-03	\$2.00
27	162103	Spring coil, compression	1	000-089-5560-06	\$4.00
28	181145	Plain washer, large	1	000-016-6124-03	\$2.00
29	182046	Cover, cassette	1	000-138-1554-00	\$47.00
30	93342	Bush	1	000-064-0058-19	\$4.00
31	182045	Decal, cassette, No. 1	1	065-1664-26	\$12.00
	93235	Decal, cassette, No. 2-7	1	065-1755-21	\$5.00
32	182051	Name plate, explanation	1	000-141-6262-09	\$4.00
195	181146	Timing belt, S2M	1	000-138-1587-02	\$66.00

Ishida Uni-9DB RP

Cassette Unit



ISHIDA UNI-9DB RP

Rear Display Cover Unit

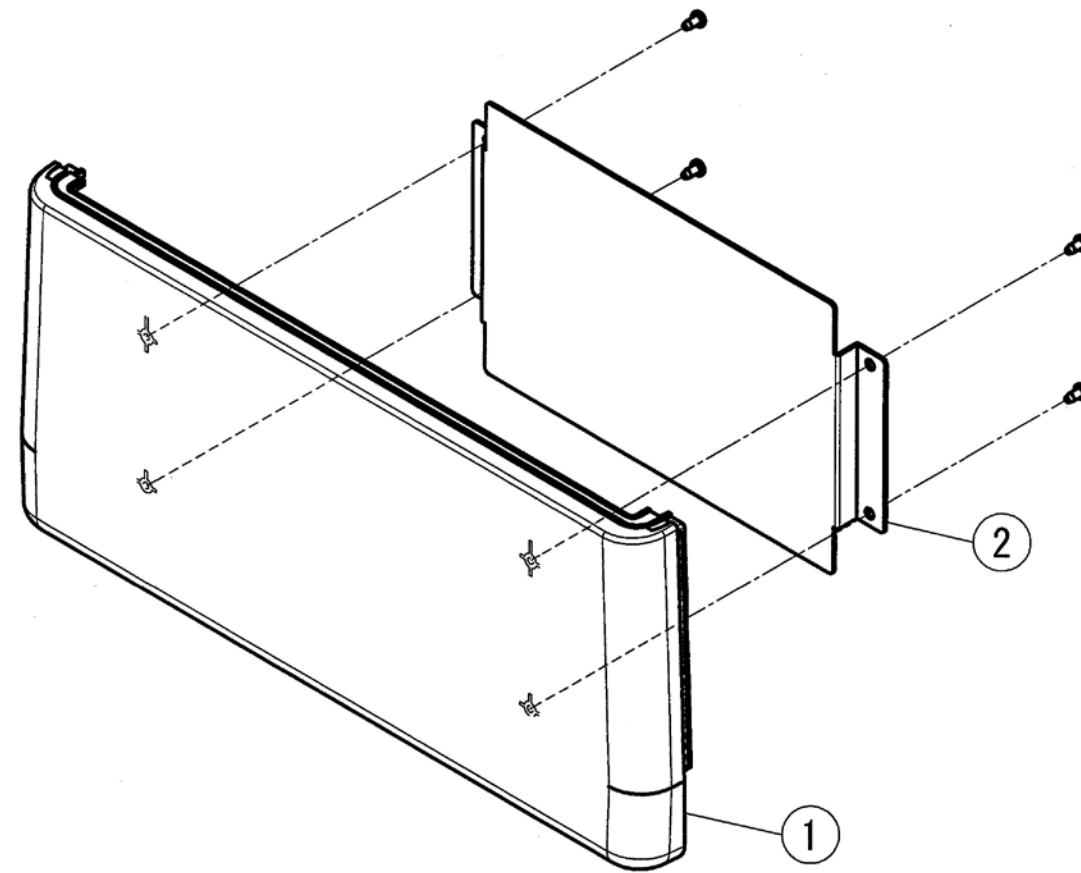
Part Number/Price

REF #	PART #	DESCRIPTION	QTY	SYNONYM	PRICE
1	158282	Cover assembly, display B	1	000-138-1694-08	\$101.00
2	187277	Cover, display, rear	1	000-138-1697-10	\$36.00

Uni-9RP

Ishida Uni-9DB RP

Rear Display Cover Unit

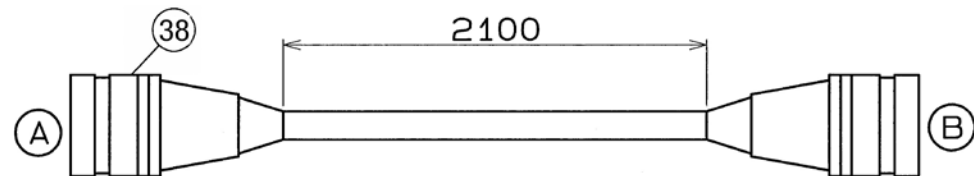
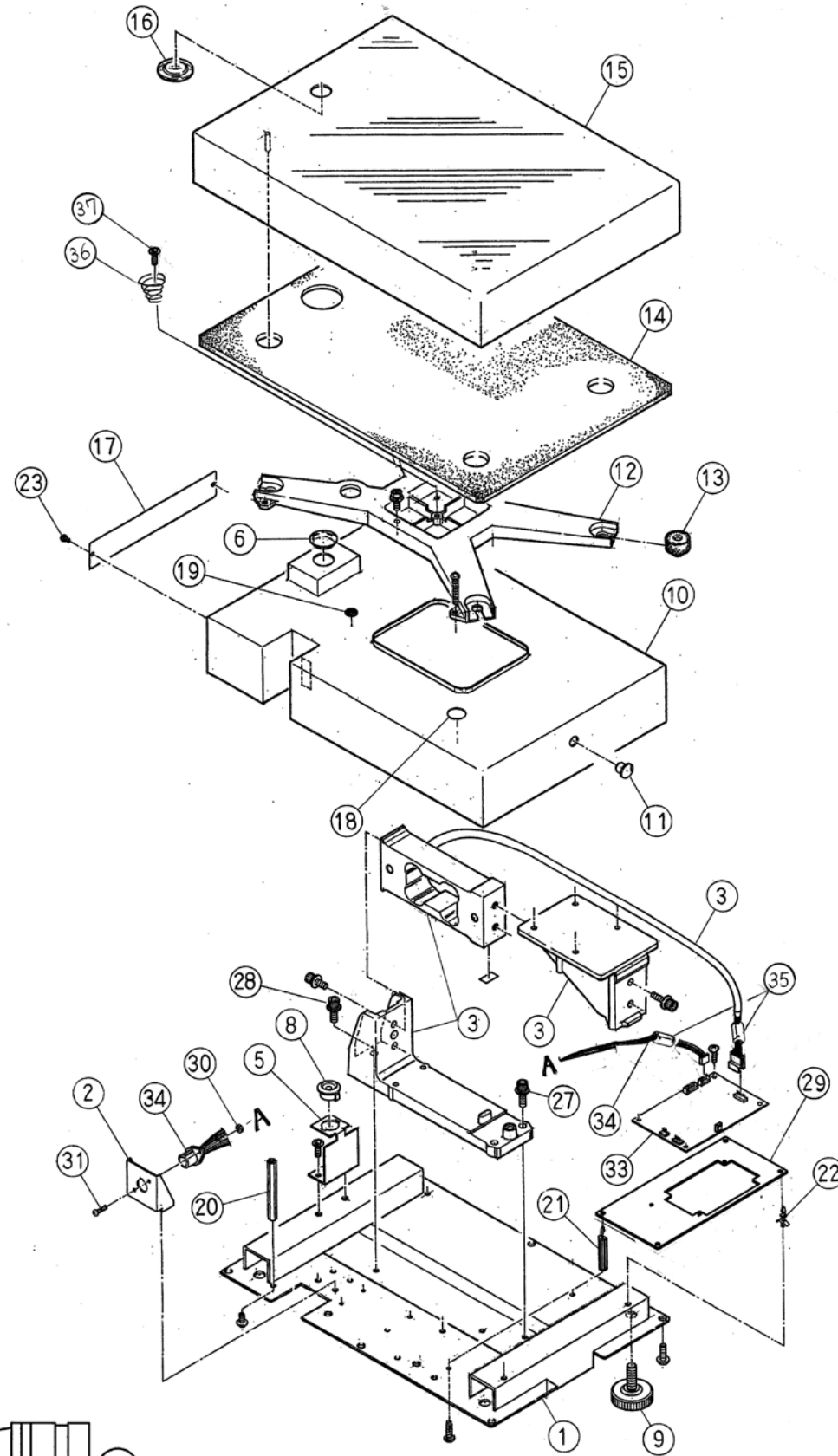


Scale Unit, 60 lb**Part Number/Price**

REF #	PART #	DESCRIPTION	QTY	SYNONYM	PRICE
1	Consult	Base	1	000-020-3896-46	\$197.00
2	Consult	Bracket, connector	1	000-056-7587-13	\$26.00
3	187665	Load cell, 60 lb, ZLC-60L	1	000-020-3918-08	\$335.00
5	Consult	Bracket, level	1	000-019-8831-11	\$21.00
6	42857	Lens	1	000-041-1971-13	\$4.00
8	186488	Level as, bubble, window	1	000-019-3912-02	\$25.00
9	42721	Level adjusting leg	4	000-001-4837-11	\$6.00
10	Consult	Cover	1	000-056-7586-10	\$391.00
11	42967	Cap	1	000-001-4457-10	\$2.00
12	45144	Platter supporter	1	000-000-6131-07	\$40.00
13	45167	Supporter rubber	4	000-000-6142-08	\$6.00
14	187666	Sheet, insulator	1	000-020-3891-39	\$55.00
15	187667	Weight dish	1	000-020-3894-21	\$251.00
16	187668	Cap, window	1	000-016-3545-07	\$4.00
17	Consult	Specification plate	1		Consult
18	Consult	Seal	4	000-003-2827-02	\$2.00
19	Consult	Seal, round	1	000-000-6615-02	\$1.00
20	Consult	Threaded rod, HEX, FF	4	000-027-8607-18	\$6.00
21	Consult	PWB accessory, card spacer	2	000-019-3795-03	\$3.00
22	Consult	PWB accessory, card spacer	2	000-043-1634-03	\$5.00
23	91178	Seal, rivet	1	000-040-9585-01	\$11.00
27	Consult	NH safety socket	2	000-022-3855-01	\$1.00
28	Consult	NH safety socket	1	000-022-3856-05	\$1.00
29	Consult	Plate B, PWB, P-1111	1	000-130-6863-10	\$15.00
30	187669	Hex nut, T1	2	000-000-0129-07	\$2.00
31	187670	Screw, cross pan head	2	000-004-4875-06	\$2.00
33	187671	PWB P-1111A / A-5, A/D board	1	000-130-7000-61	\$331.00
34	187672	Harness, C2, external scale (A/D to external cable receptacle)	1	000-127-9132-22	\$42.00
35	Consult	Filter, Ferrite core	2	000-093-5220-14	\$7.00
36	187673	Spring, coil, compressive	1	000-122-1927-02	\$5.00
37	187674	TP screw	1	000-123-5994-04	\$2.00
38	187675	Harness, C2, weigh communication (scale base to Uni-9 controller)	1	000-140-7094-15	\$152.00
Assembly	160263	Scale unit, 60 lb complete (includes harness p/n 187675)		000-142-1777-09	\$1,769.00

Ishida Uni-9DB RP

Scale Unit, 60lb



Ishida Uni-7 RP



Uni-7RP

Controller

Part Number/Price

REF #	PART #	DESCRIPTION	SYNONYM	PRICE
1	151532	Cover upper assembly	089-5000-07	\$139.00
2	151531	Cover printer upper, metal	089-5002-04	\$40.00
3	Consult	L plate right	089-5053-04	\$16.00
4	Consult	L plate left	089-5054-08	\$16.00
5	179264	Case main upper	089-4971-19	\$109.00
6	130062	Cover printer upper, plastic	089-4976-17	\$21.00
7	171674	Cover hinge lower	089-5515-17	\$23.00
8	171673	Cover hinge upper	089-4991-13	\$16.00
—	185489	Screw, countersink, M3x16		\$1.00
11	Consult	Case rear panel	089-6198-04	\$14.00
12	188064	Case rear cover	089-4972-12	\$85.00
13	Consult	Bracket power	089-4995-09	\$23.00
14	119160	Power supply switching	079-1225-04	\$248.00
15	Consult	Base	089-4957-25	\$126.00
16	187214	Block B hinge side cover	089-4985-11	\$2.00
17	158517	Cover side	089-4975-22	\$34.00
18	130813	Foot adjust	089-5083-06	\$4.00
19	191492	Plate B magnetic	089-4982-01	\$3.00
20	159797	Plate B RS-232C	089-5516-01	\$4.00
21	203992	Harness C2 power assembly	089-5633-04	\$4.00
22	168773	Bracket torque hinge	089-4967-04	\$34.00
23	156447	Hinge R	089-5506-04	\$29.00
24	156446	Hinge L	089-5505-01	\$29.00
—	45519	Screw, hinge mount, self tap M3x8	00-0353-05	\$2.00
—	178863	Keyboard support hinge kit (4 screws, 2 plates)		\$22.00
25	132397	Ferrite core	089-5813-08	\$22.00
26	132394	Ground clamp	089-5810-07	\$3.00
27	152445	Case rear control	089-4945-11	\$90.00
—	179568	Washer screw, M3x8	400-000-0487-00	\$3.00
28	119154	PWB PK-261A keyboard/display controller	089-5614-03	\$333.00
29	163775	Harness S3 front LCD	089-5630-12	\$93.00
30	132395	PWB accessory card spacer	116-6895-05	\$2.00
35	152444	Case front control	089-4944-27	\$74.00
36	119163	Vibrator assembly	089-5734-16	\$13.00
37	119155	Membrane	089-5682-16	\$65.00
38	119156	Sheet keyboard programming	089-4946-06	\$25.00
39	130815	Sheet keyboard operation insert	089-5508-11	\$16.00
40	119157	Cover keyboard	089-4947-37	\$38.00
41	163330	Cover, side door w/notch	089-6696-02	\$14.00
42	130811	Cover switch	089-5591-01	\$11.00
43	161916	Harness C4 switch assembly	089-5638-11	\$11.00
44	Consult	Bracket connector assembly	089-5479-07	\$52.00
45	119158	PWB PK-265A, RF wireless card, Wi-Port	000-089-8141-00	\$623.50
46	163384	Harness S2 5V power	089-5636-05	\$6.00
47	130816	Harness S2 LAN	089-5637-09	\$16.00
48	119159	Antenna	089-5639-06	\$89.00
49	Consult	Sticker location output	089-5740-19	\$1.00
50	Consult	Seal round	075-1264-01	\$4.00
51	Consult	Gasket 20 mm	089-5728-04	\$1.00
52	174108	PWB PK-260B 4M main CPU, SD	400-000-1774-00	\$1,314.00
53	187656	Sheet insulation	089-5727-10	\$6.00
54	41734	PWB accessory card spacer	000-1795-01	\$2.00
55	190576	Harness, S2, 24VDC power	089-5634-08	\$12.00
56	Consult	Ferrite core	089-5811-01	\$3.00
58	Consult	Ferrite core	089-5812-04	\$14.00
59	130817	Name plate spec	089-5063-01	\$6.00
60	Consult	Sheet insulation power	089-6353-14	\$8.00
61	119506	Harness C2 PS	089-5787-04	\$23.00

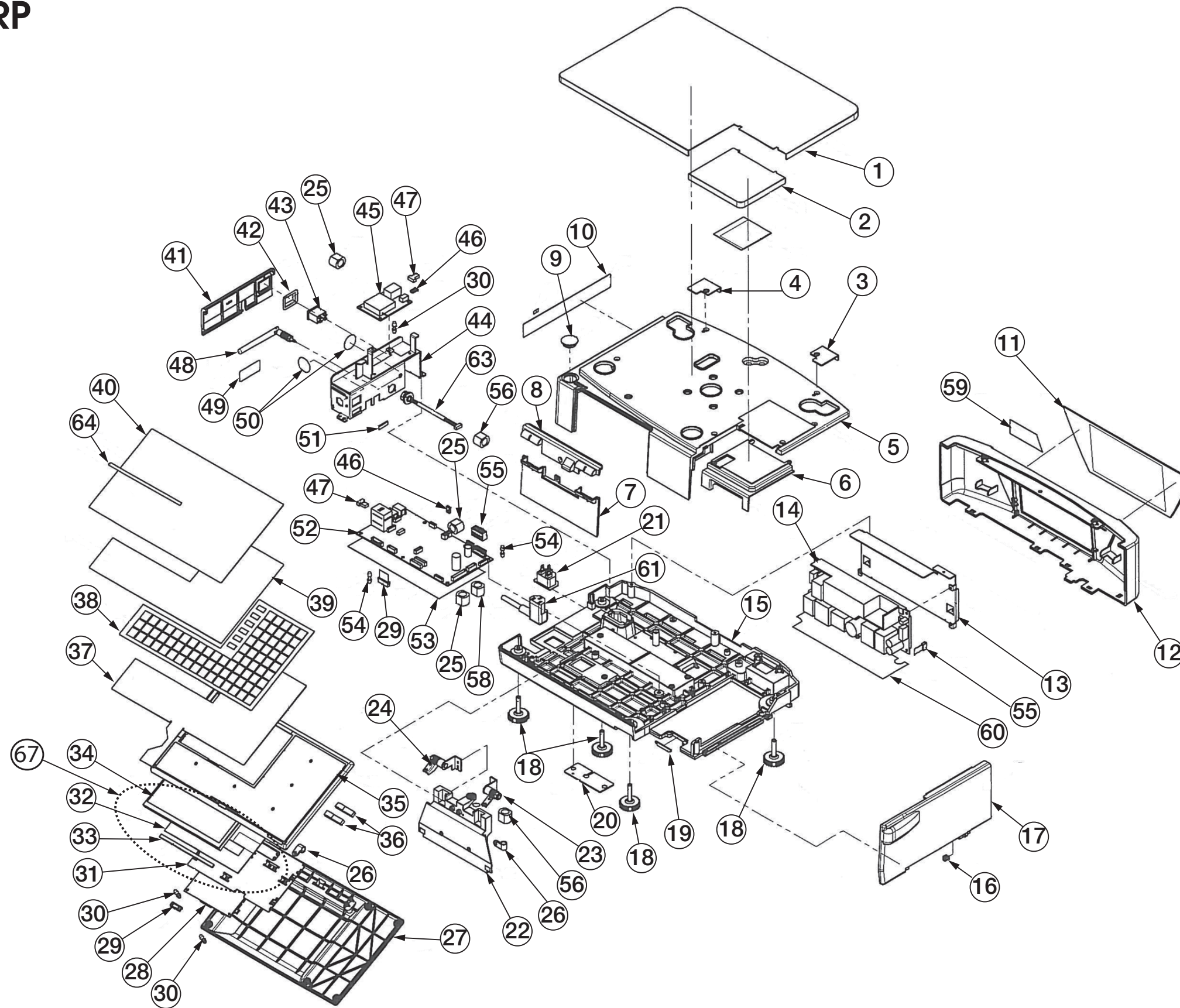
Controller

Part Number/Price

REF #	PART #	DESCRIPTION	SYNONYM	PRICE
63	188467	Harness C2 A/D	089-5478-12	\$36.00
64	151522	Decal, capacity statement, 0-15lb x 0.005 15-30lb x 0.01lb	089-5064-05	\$6.00
65	80990	Plate A cover	089-4042-00	\$5.00
67	119165	LCD assembly, operator, includes 31, 32, 33 and 34	089-6678-05	\$325.00
Assembly	160470	Complete operator keyboard/display assembly	089-8147-01	\$649.00
999	167774	In-use key cover		\$6.00
999	162632	Stopper L-bracket, to secure power cord	138-2346-05	\$9.00

Ishida Uni-7 RP

Controller



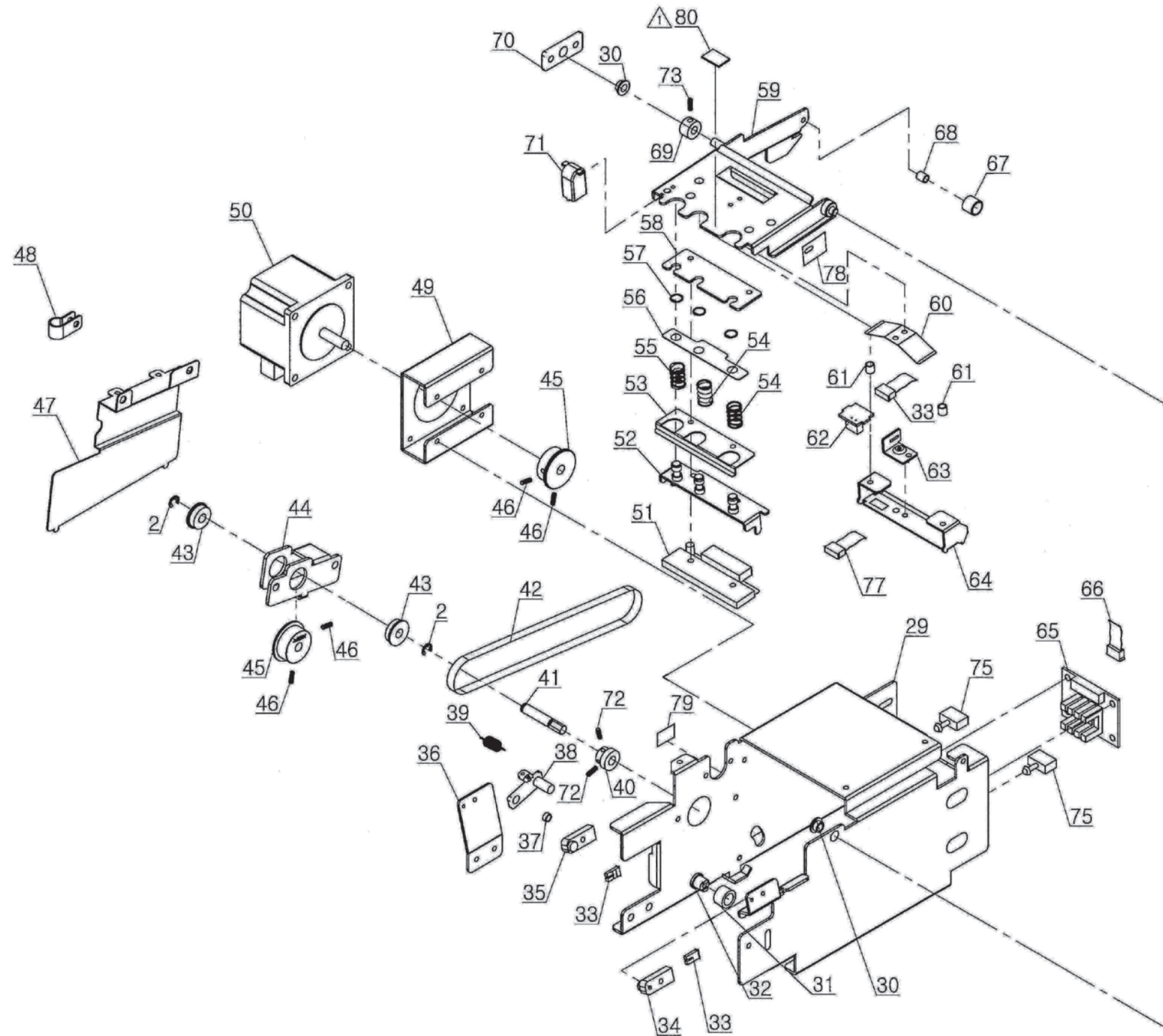
Printer

Part Number/Price

Ref #	Part #	Description	Synonym	Price
2	46986	E ring, M3 SST	000-0287-02	\$2.00
29	Consult	Frame printer	089-5517-14	\$69.00
30	180542	Bush	031-9081-00	\$3.00
31	181100	Roller support cassette	089-5537-00	\$2.00
32	158806	Pin support cassette	089-5536-06	\$9.00
33	158582	Harness C4 sensor, orange	089-5629-18	\$13.00
	193673	Harness C4 sensor, white, from s/n 100237828	400-000-1803-00	\$15.00
34	87535	Peel sensor; receiver, black, right	066-4500-09	\$12.00
	193674	Peel sensor; receiver, black, right, from s/n 100237828	400-000-1761-00	\$12.00
35	87534	Peel sensor; transmitter, grey, left	064-5587-01	\$12.00
	193675	Peel sensor; transmitter, grey/white, left, from s/n 100237828	400-000-1762-00	\$15.00
—	195858	Peel sensor harness C2, left-side bypass, orange connector	400-000-3770-00	Consult
—	195857	Peel sensor harness C2, left-side bypass, white connector, from s/n 100237828	400-000-3769-00	Consult
36	Consult	Bracket sensor left	089-5531-08	\$4.00
37	181101	Collar spacer	089-5038-08	\$2.00
38	180554	Lever lock head	089-5539-07	\$8.00
39	181102	Spring coil tension	089-5540-01	\$5.00
40	167388	Gear flat	089-5523-08	\$9.00
41	167389	Shaft pulley	089-5530-04	\$9.00
42	158518	Timing belt pulley S2M	118-7567-01	\$8.00
43	181103	Bearing large circle	089-5668-04	\$25.00
44	Consult	Holder pulley	089-5528-06	\$7.00
45	186908	Timing pulley S2M	089-5524-01	\$11.00
46	Consult	Screw, set M3x3		Consult
47	Consult	Cover timing belt	089-5535-02	\$9.00
48	Consult	Cable clamp	089-5731-06	\$1.00
49	Consult	Bracket motor	089-5529-00	\$19.00
50	119168	Stepping motor	089-5513-01	\$169.00
51	119169	Thermal head, CHX56-8359, 1100 ohm	089-5669-08	\$252.00
—	41732	Screw, SST, M4x6 (mounting screws)	000-0237-06	\$2.00
52	161974	Bracket head	089-5520-16	\$30.00
53	163391	Cover head	089-5534-09	\$4.00
54	163392	Spring coil	089-5542-09	\$3.00
55	163393	Spring coil	089-5541-05	\$3.00
56	163394	Plate A spring support	089-5521-01	\$3.00
57	163396	C-ring	089-5836-03	\$2.00
58	163398	Stay head	089-5519-02	\$9.00
59	156853	Bracket printer	089-5518-09	\$66.00
60	180543	Spring plate	089-5533-05	\$3.00
61	165618	Collar spacer	089-5036-01	\$2.00
62	87533	Label gap sensor	105-5249-09	\$43.00
63	168935	Holder label sensor	089-5532-01	\$12.00
64	168936	Bracket label sensor	089-5522-04	\$6.00
65	87532	Sensor, cassette number	064-5586-08	\$46.00
66	199214	Harness C2 cassette	089-5628-05	\$12.00
67	47481	Stopper	000-9327-01	\$45.00
68	180544	Collar spacer	089-5037-04	\$2.00
69	180545	Collar	089-5527-02	\$8.00
70	Consult	Plate A	089-5526-09	\$2.00
71	159888	Block B support	089-5538-03	\$3.00
72	50160	Screw, set M3x6, hex socket cup point	002-1942-07	Consult
73	84066	Set screw, M4x4 hex socket cup point SST	000-0469-03	\$2.00
75	Consult	Support	089-5729-08	\$1.00
77	167053	Harness C2, thermal head	089-5632-10	\$37.00
78	187229	Plate A	089-5919-00	\$3.00
79	Consult	Mount base	089-5732-00	\$1.00
80	Consult	Sheet cushion		\$5.00

Ishida Uni-7 RP

Printer



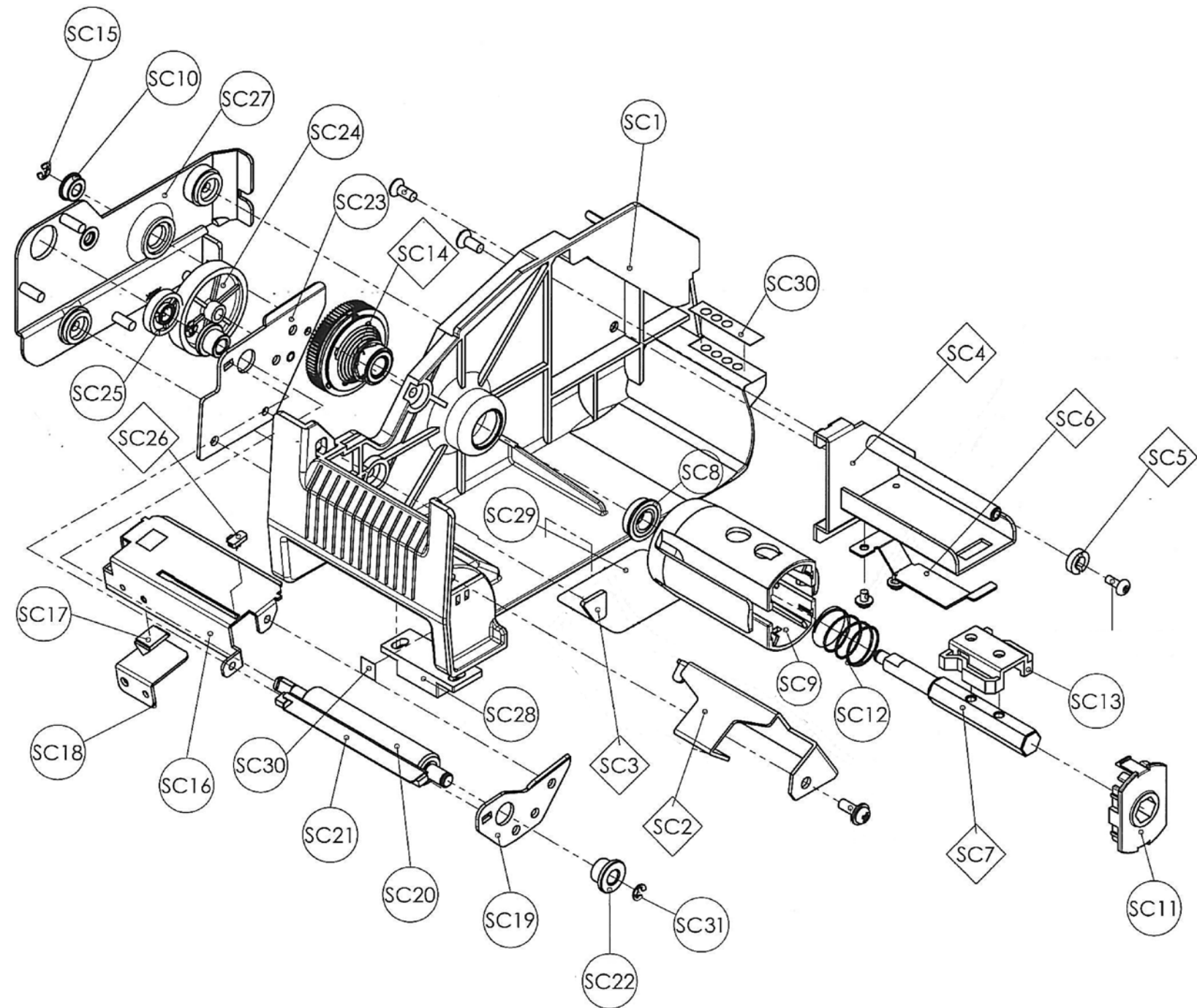
Label Cassette

Part Number/Price

Ref #	Part #	Description	Synonym	Price
—	110996	Label cassette, complete assembly	089-5215-01	\$242.00
SC1	169005	Frame cassette	089-5543-21	\$40.00
SC2	131411	Bracket label peel	089-6788-01	\$154.00
SC3	131413	Plate A, adhesive	089-6790-00	\$10.00
SC4	170795	Holder assembly label roll	089-6783-03	\$87.00
SC5	173893	Guide label	089-5080-05	\$4.00
—	41732	Screw, SST, M4x6	00-0237-06	\$2.00
SC6	180555	Lever label guide	089-6782-00	\$51.00
SC7	Consult	Shaft step bobbin	089-6791-03	\$19.00
SC8	Consult	Bearing large circle	089-5666-07	\$21.00
SC9	162104	Bobbin roll	089-5550-09	\$4.00
SC10	93342	Bush	064-0058-19	\$4.00
SC11	167494	Cover roll	089-5551-02	\$2.00
SC12	162103	Spring coil compression	089-5560-06	\$4.00
SC13	162102	Stopper holder label	089-5554-03	\$2.00
SC14	165181	Torque limiter assembly	089-6591-05	\$38.00
SC15	46986	E ring, M3 SST	000-0287-02	\$2.00
SC16	196395	Guide table label	089-5557-04	\$20.00
SC17	131415	Block B prism	089-5556-01	\$2.00
SC18	131416	Bracket prism	089-5561-00	\$4.00
SC19	180556	Frame right	089-5546-03	\$9.00
SC20	119171	Roller printer	089-5544-15	\$23.00
SC21	172963	Plate assembly peel shaft	089-5548-01	\$22.00
SC22	131419	Bush	089-5597-12	\$3.00
SC23	Consult	Frame left	089-5545-19	\$14.00
SC24	119507	Gear flat large, drive gear	089-5547-07	\$2.00
SC25	93341	Gear flat small (attached to print roller)	063-8269-29	\$4.00
SC26	119508	Guide label	089-5558-26	\$2.00
SC27	204560	Cover gear	089-5552-06	\$4.00
SC28	131421	Catch magnetic	117-9647-06	\$6.00
SC29	Consult	Sticker, label loading	089-5564-01	\$1.00
SC30	126462	Sticker, cassette number	089-5563-07	\$5.00
SC31	46984	E-ring, 4 mm shaft SST M4	400-000-1050-00	\$2.00

Ishida Uni-7 RP

Label Cassette



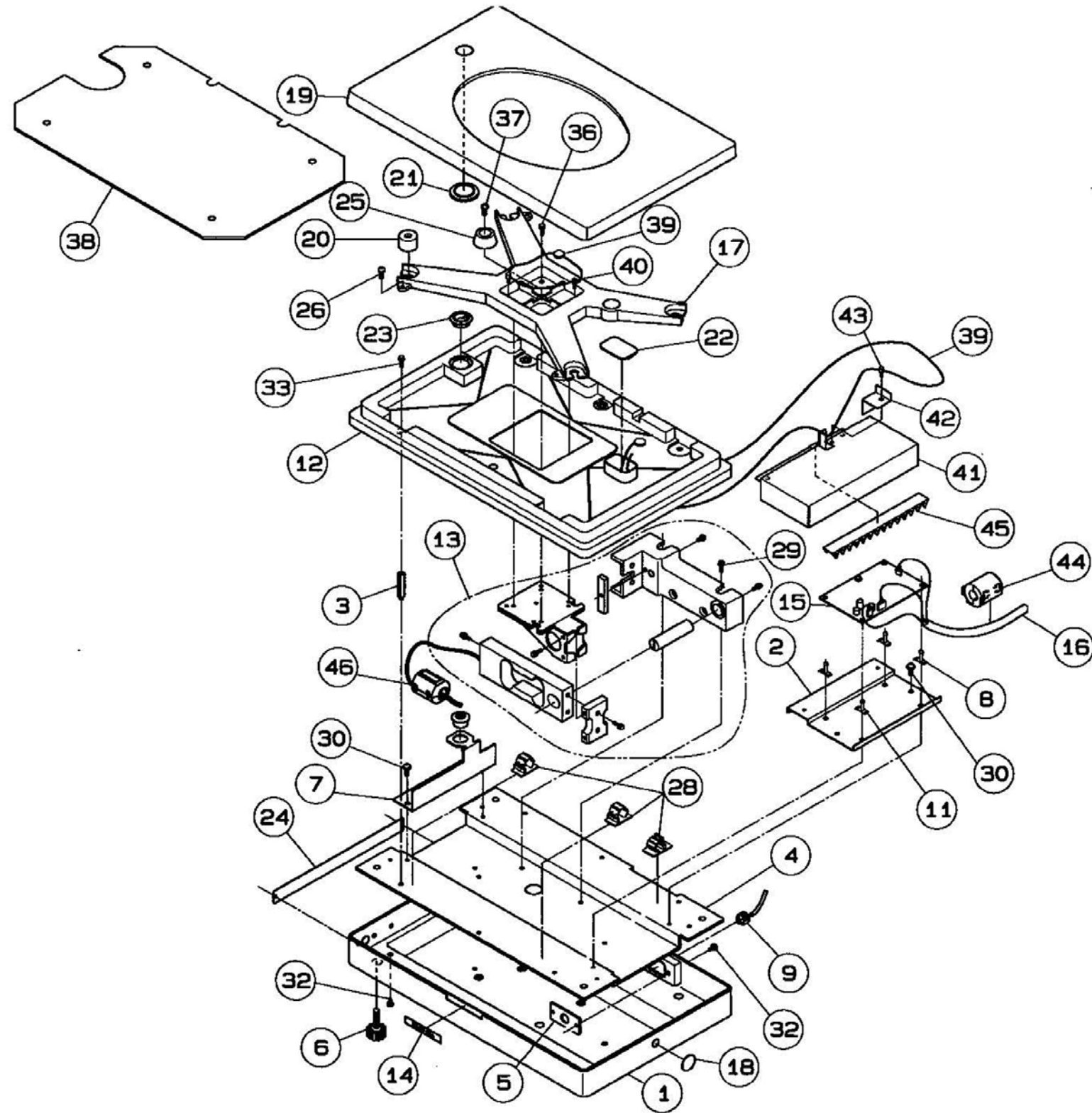
Scale Base

Part Number/Price

REF #	PART #	DESCRIPTION	Synonym	PRICE
1	47019	Case, scale, lower	002-5005-01	\$133.00
2	Consult	Bracket, PWB	070-9805-08	\$16.00
3	47021	Threaded rod, hex, mf	002-5011-04	\$8.00
4	47022	Base, weigh	002-5012-17	\$62.00
5	Consult	Plate B, metal	075-5801-14	\$12.00
6	47024	Leg, adjusting	001-4845-02	\$5.00
7	47026	Metal fitting unit for level	002-5052-07	\$23.00
8	47027	PWB accessory, card spacer	000-1796-05	\$2.00
9	Consult	Accessory, bush, cable	074-7145-05	\$2.00
11	Consult	PWB accessory, card spacer	043-1633-00	\$5.00
12	47029	Case, scale, upper	002-5006-05	\$79.00
13	44220	Load cell unit: CLC-25L	000-7729-07	\$403.00
14	47031	Name plate, company name	032-4927-09	\$4.00
15	126586	PWB, P-930A-2, A/D board	096-9797-03	\$366.00
16	107878	Harness, C5, scale comm	096-9609-06	\$124.00
17	45144	Platter supporter	000-6131-07	\$40.00
18	47025	Seal	001-6314-09	\$2.00
19	175008	Platter	094-5009-02	\$96.00
20	41706	Supporter rubber	002-5050-00	\$3.00
21	187668	Cap, window	016-3545-07	\$4.00
22	47034	Cap	002-5007-09	\$19.00
23	42857	Lens	041-1971-13	\$4.00
24	Consult	Name plate, specification	123-2304-03	Consult
25	47036	Rubber pad	000-3926-00	\$3.00
26	47326	Screw, plus truss, screw lock	003-2566-01	\$2.00
28	Consult	Accessory, clamp, CKN clamp	000-1846-08	\$2.00
29	Consult	GT cap screw	000-0448-05	\$1.00
30	47008	Tapping screw, M4x6 pan head flange washer zinc	000-0439-01	\$3.00
32	42719	Screw, cross truss	000-0238-00	\$2.00
33	41739	Hex bolt, bolt and washer assembly S2P2	002-1790-08	\$2.00
36	189337	Cross hexagon bolt	000-0338-09	\$2.00
37	47007	TP screw M4x8 chromate	000-0440-06	\$2.00
38	Consult	Sheet, insulator	049-6202-19	\$69.00
39	42735	Seal, with wire	022-3922-08	\$3.00
40	47032	Step screw	020-3677-01	\$27.00
41	Consult	Cover, PWB	096-9535-13	\$77.00
42	Consult	Cover, switch	096-9533-16	\$52.00
43	41811	Screw, sealing	005-4497-09	\$12.00
44	186416	Filter, ferrite core	074-0771-01	\$11.00
45	Consult	Filter, finger	096-9771-07	\$52.00
46	186547	Filter, ferrite	044-2730-09	\$11.00
Assembly	124509	Remote base assembly, complete	000-800-0541-25	\$1,586.00

Ishida Uni-7 RP

Scale Base



Ishida Uni-3 RP



Uni-3RP

Controller

Part Number/Price

Ref #	Part #	Description	Synonym	Price
1	169722	Sheet, keyboard, transparent	000-901-2366-10	\$7.00
2	169723	Edit-keysheet	000-901-3806-06	\$20.00
3	169724	Membrane keypad	000-901-2364-03	\$34.00
—	170916	Keysheet, operation insert	300-000-0372-00	\$28.00
4	169725	PWB, PS-068, tactile keys	000-901-2456-02	\$37.00
5	181179	Case	000-901-3796-02	\$47.00
6	169727	Platter	000-900-9218-10	\$80.00
7	169728	Guard	000-900-9217-07	\$10.00
—	42848	Screw, phillips, M4-0.7x8, pan head, lock and flat washer SST	010-0723-09	\$2.00
8	181183	Cover, customer	000-901-3808-03	\$8.00
9	102812	Lens	000-900-1056-14	\$2.00
10	Consult	Support, power outlet	000-901-3795-09	\$4.00
11	Consult	Platter, support	000-900-0014-23	\$20.00
12	44406	Rubber, platter support, 30 lb	000-900-0016-49	\$4.00
	190731	Rubber, platter support, 60 lb	000-900-8088-19	\$2.00
13	80963	Load cell, 30 lb, C2G1-25K-S18	000-900-2490-11	\$159.00
	190314	Load cell, 60 lb, C2G1-50K-S18	000-900-6735-09	\$166.00
14	Consult	Base	000-900-9201-17	\$13.00
15	80969	Harness, C4, power	000-900-2842-37	\$10.00
16	80991	Power cord	000-900-3335-11	\$21.00
17	66398	Switch	000-900-0305-09	\$13.00
19	203014	Cover, connector	000-901-3797-06	\$8.00
20	169730	PWB, PS-990G-2, CPU board, 2M	000-901-2410-11	\$775.00
21	169729	PWB, PS-067, A/D board	000-901-2446-14	\$239.00
22	170954	Cover, base	000-901-1298-07	\$21.00
—	82973	Cord grip, snap in straight (used with PN 170954)		\$2.00
23	Consult	Base	000-901-2301-18	\$14.00
24	Consult	Bracket, display	000-901-1291-01	\$2.00
25	169783	Display, LCD	000-901-3971-08	\$209.00
26	169733	Cover, printer, front	000-901-3798-00	\$7.00
27	79432	Foot, level	000-900-0025-15	\$12.00
28	Consult	Base, plate	000-901-2300-05	\$52.00
29	107707	Power supply, LFS100-24	000-089-5503-03	\$252.00
30	169734	Cover, printer, side	000-901-3799-03	\$8.00
31	169735	Name plate, printer	000-901-3973-14	\$2.00
32	66383	Hinge	000-900-4296-03	\$3.00
33	179440	Sheet, display, customer, 30 lb	000-901-3791-04	\$11.00
	190735	Sheet, display, customer, 60 lb	000-901-4432-01	\$12.00
34	174508	Sheet, display, operator, 30 lb	000-901-3789-06	\$10.00
	190737	Sheet, display, operator, 60 lb	000-901-4430-03	\$12.00
35	179441	Motor, stepping, 49P048LO-00702	000-901-3866-19	\$42.00
36	Consult	Bracket, motor	000-901-1295-24	\$5.00
37	Consult	Bracket	000-901-1296-37	\$2.00
38	193844	Axis, rewind	000-901-2397-33	\$8.00
39	Consult	Bush	000-901-4481-03	\$1.00
40	Consult	Bush, OLTC6-1500C	000-901-4494-01	\$16.00
41	179442	Gear, rewind	000-901-2360-36	\$2.00
42	179443	Timing belt, 3M-HTD-330	000-901-2435-04	\$6.00
43	179444	Gear, dual	000-901-2357-07	\$3.00
44	179445	Gear, drive	000-901-2358-01	\$3.00
—	Consult	M3x7 self tapping button head screws (2)		Consult
45	179446	Cover, gear, drive	000-901-2359-04	\$2.00
—	66375	Set screw, 1.5 mm, M3-0.5 x 6 mm	000-002-1942-07	\$2.00
46	169737	Roller, rubber, print roller	000-901-0040-00	\$27.00
47	192243	Frame, printer	000-901-1293-36	\$17.00

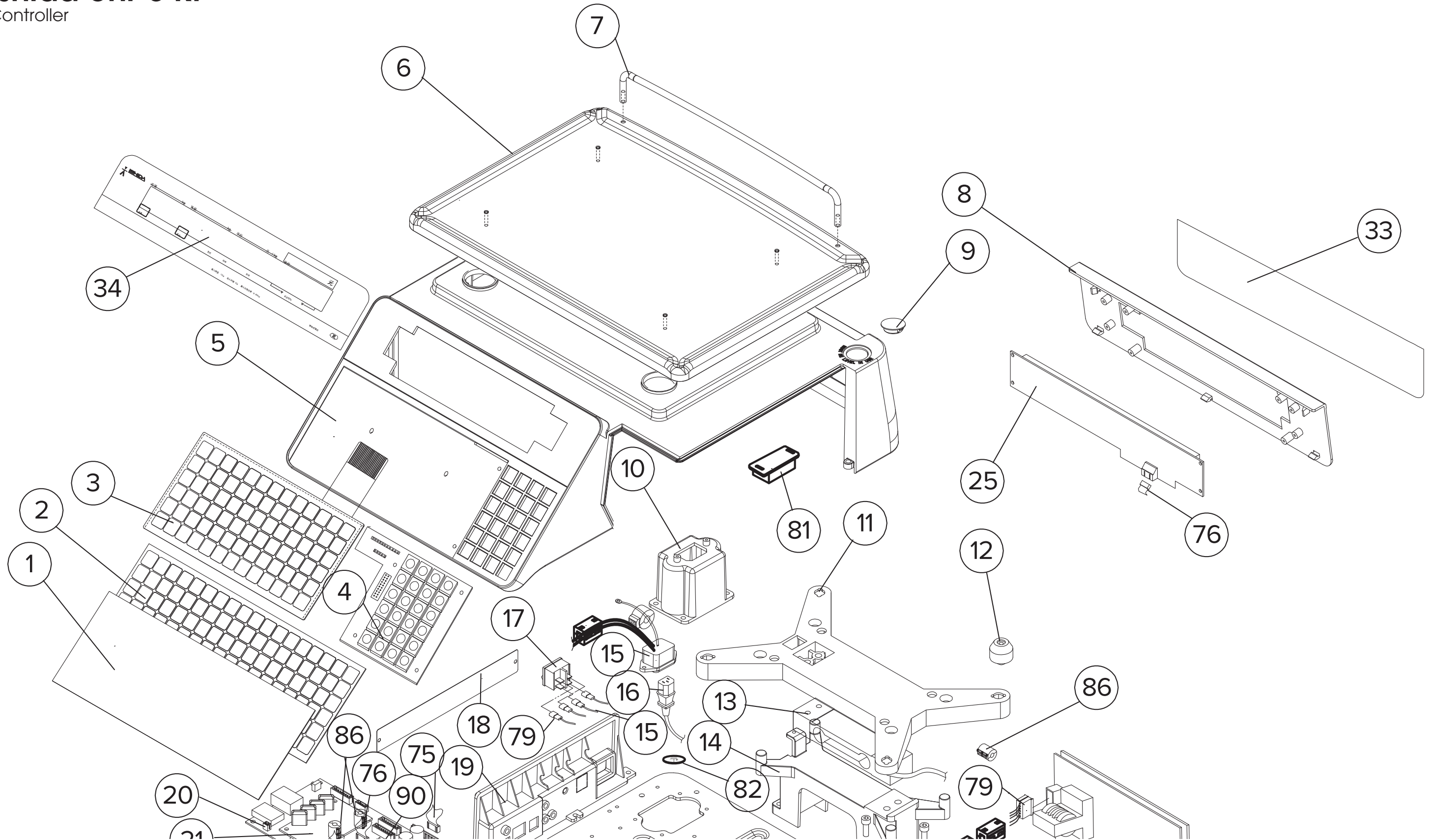
Controller

Part Number/Price

Ref #	Part #	Description	Synonym	Price
48	44425	Level unit	000-900-5727-05	\$50.00
49	66378	Holder, guide, label	000-089-2830-01	\$4.00
50	66376	Lever, guide, label	000-089-2858-04	\$4.00
51	Consult	Holder, label	000-089-6667-04	\$5.00
52	185465	Bracket	000-901-4499-19	\$5.00
53	185467	Spring, bobbin	000-900-6740-08	\$2.00
54	185468	Shaft, bobbin	000-900-8333-20	\$8.00
55	198378	Support, NL	000-900-9359-11	\$6.00
56	191914	Axle bush	000-900-9361-10	\$2.00
57	192244	Support, roll, NL	000-900-9358-36	\$8.00
58	192245	Cover, NL	000-900-9360-25	\$3.00
59	66370	Bush, left	000-900-0894-06	\$2.00
60	193226	Axis	000-900-9363-17	\$3.00
61	193225	Peel shaft	000-901-3774-01	\$12.00
	170541	Linerless peel shaft kit	300-000-0319-00	\$51.00
62	45221	Shaft	000-900-0844-19	\$5.00
63	192246	Frame, head	000-900-9205-39	\$10.00
64	191529	Bracket, head	000-900-9206-16	\$6.00
65	119169	Thermal head, CHX56-8359, 1100 ohm	000-901-5061-06	\$252.00
66	192247	Bracket, lock	000-900-9207-37	\$9.00
67	177790	Bracket, push	000-900-9208-03	\$5.00
68	188149	Axis, hold	000-900-9223-00	\$3.00
69	188153	Tear bar	000-900-6722-01	\$4.00
70	Consult	Bracket, sensor	000-900-9364-01	\$1.00
71	45203	Spring coil	000-900-0848-04	\$2.00
72	45206	Tension spring	000-900-0849-08	\$3.00
73	104832	Label sensor assembly	000-900-5225-02	\$34.00
74	104267	Harness, S2, thermal head	000-900-2840-21	\$19.00
75	47073	Harness, S2, power	000-900-0286-11	\$34.00
76	170778	Harness, C3, display	000-901-2444-08	\$6.00
77	170779	Harness, S2, display	000-901-2399-03	\$4.00
78	170780	Harness, S2, keyboard	000-901-2312-19	\$8.00
79	66396	Harness, C3, power	000-900-2841-06	\$9.75
80	Consult	Bracket, printer	000-901-1292-05	\$3.00
81	Consult	Bracket, magnet	000-901-5062-00	\$1.00
82	Consult	Label, GND cord	000-900-1338-05	\$1.00
83	193845	Bush, CSB-EPBF-0608-04	000-901-3953-01	\$2.00
84	Consult	Bracket, cutter	000-901-3781-07	\$2.00
85	Consult	Screw, cutter	000-901-3960-25	\$1.00
86	Consult	Ferrite, core	000-900-0730-09	\$6.00
88	193312	Bracket, peel sensor	000-901-5065-01	\$11.00
89	179447	Photo interrupter, reflector, peel sensor	000-078-0604-01	\$40.00
90	Consult	Harness, peel sensor, 160 mm	000-901-5063-03	\$3.00
91	Consult	Bush	000-901-4488-09	\$5.00
92	Consult	Shaft, POM	000-901-4487-05	\$9.00
93	193224	Bracket, peel off	000-901-4484-13	\$11.00
94	Consult	Bracket, fixed	000-901-4485-17	\$6.00
95	Consult	Label guide	000-901-4486-01	\$4.00
96	Consult	Magnet	000-901-3743-05	\$2.00
97	Consult	Bracket, base cover	000-901-1297-01	\$2.00
Wi-Port and Wireless Options				
999	119159	Antenna	000-089-5639-06	\$89.00
999	119158	PWB PK-265A, RF wireless card, Wi-Port	000-089-8141-09	\$623.50
999	191245	Cover, side RF option, sst	300-000-0585-00	\$31.00

Ishida Uni-3 RP

Controller



Heat Seal Roller Pack Off Table



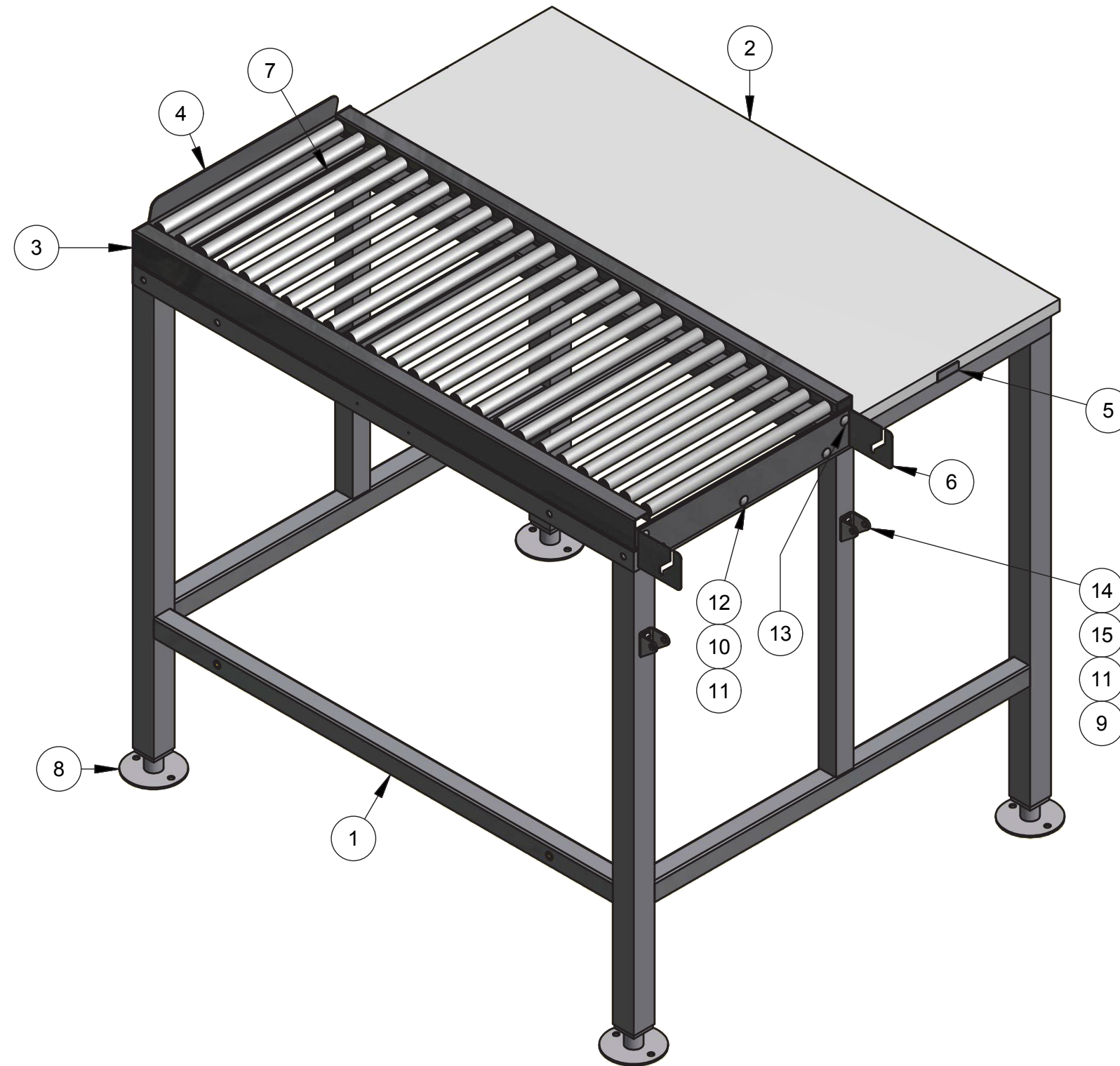
Scale Mate

3-foot Table**Part Number/Price**

REF #	PART #	DESCRIPTION	QTY	SYNONYM	PRICE
1	Consult	36 x 30 inch table frame weld assembly	1	6701-013	Consult
2	Consult	Poly top, 36-inch	1	6701-018	Consult
3	Consult	36 inch rail support weld assembly	1	6835-103	Consult
4	Consult	Stopper plate	1	6835-104	Consult
5	Consult	Clip	4	6835-311	Consult
6	Consult	Bracket for 2-foot conveyor	1	6835-367	Consult
7	200499	Conveyor roller assembly, spring loaded	24	6835-369	\$48.00
8	104994	Leveling leg, Insert - Flange SS 1.5: Sq. Tube	4	2135-003	\$107.00
9	Consult	Rivet Nut, 1/4-20x1-3/4 lg, SST	10	1911-024	Consult
10	Consult	Nut, hex, 1/4-20 SST	10	1911-010	Consult
11	Consult	Lockwasher, split, 1/4 med, SST	14	1907-001	Consult
12	Consult	Bolt, carriage, 1/4-20 X 1 3/4 lg, SST	6	1903-168	Consult
13	Consult	Bolt, Carriage, 1/4-20x1/2 SST	4	1903-061	Consult
14	Consult	Brackets, pivot cylinder	2	5805-090	Consult
15	Consult	Screw, Cap, Button head, Socket 1/4-20x5/8 lg. SST	4	1903-169	Consult

Heat Seal Roller Pack Off Table

3-foot Table

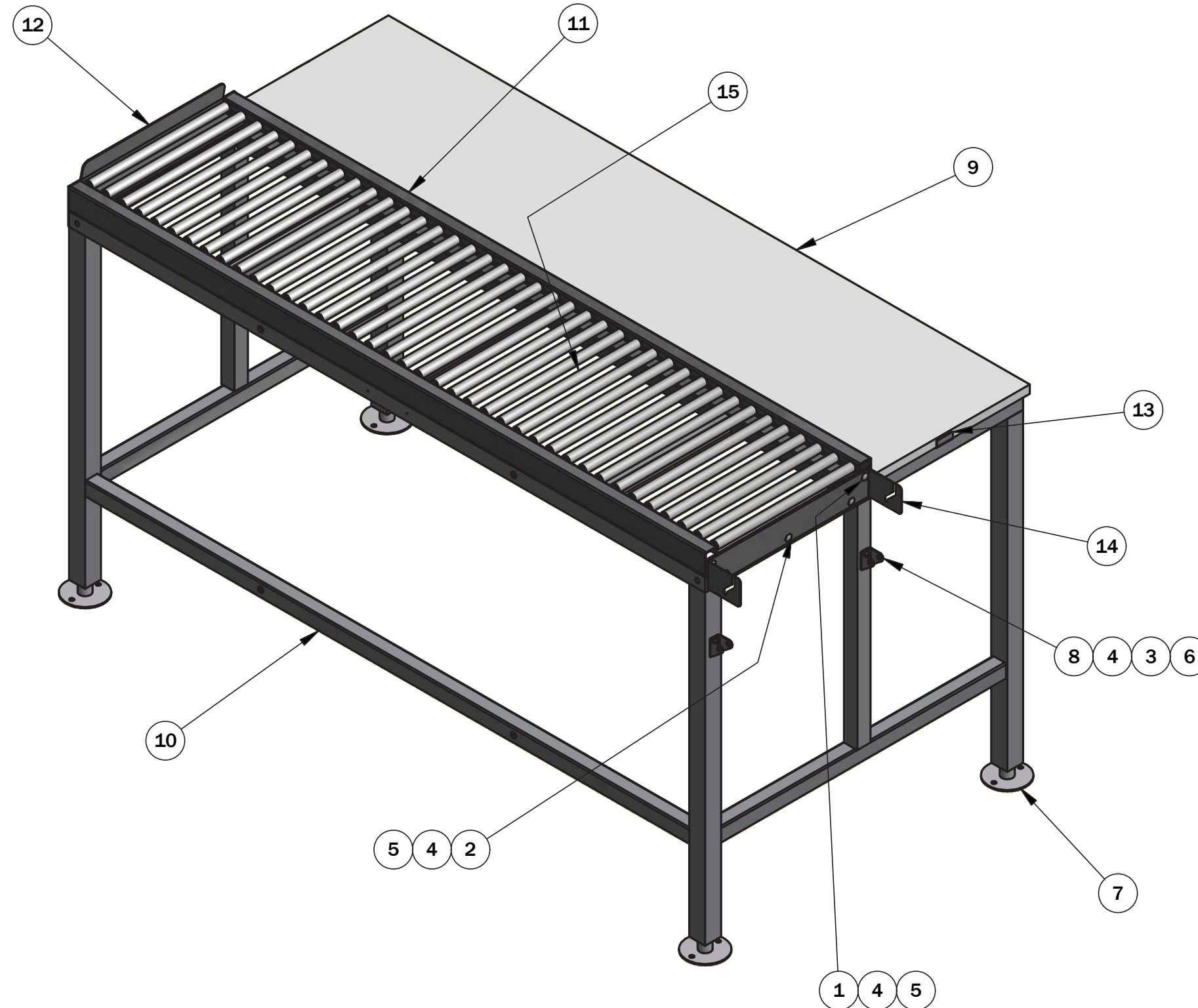


5-foot Table**Part Number/Price**

REF #	PART #	DESCRIPTION	QTY	SYNONYM	PRICE
1	Consult	Bolt, Carriage, 1/4-20x1/2 SST	4	1903-061	Consult
2	Consult	Bolt, carriage, 1/4-20 X 1 3/4 lg, SST	6	1903-168	Consult
3	Consult	Screw, Cap, Button head, Socket 1/4-20x5/8 lg. SST	4	1903-169	Consult
4	Consult	Lockwasher, split, 1/4 med, SST	14	1907-001	Consult
5	Consult	Nut, hex, 1/4-20 SST	10	1911-010	Consult
6	Consult	Rivet Nut, 1/4-20x1-3/4 lg, SST	12	1911-024	Consult
7	104994	Leveling leg, Insert - Flange SS 1.5: Sq. Tube	4	2135-003	\$107.00
8	Consult	Brackets, pivot cylinder	2	5805-090	Consult
9	Consult	Poly top, 60 inch	1	6701-022	Consult
10	Consult	60 x 30 inch table frame weld assembly	1	6701-023	Consult
11	Consult	60 inch rail support weld assembly	1	6701-028	Consult
12	Consult	Stopper plate	1	6835-104	Consult
13	Consult	Clip	4	6835-311	Consult
14	Consult	Bracket for 2-foot conveyor	1	6835-367	Consult
15	200499	Conveyor roller assembly, spring loaded	39	6835-369	\$48.00

Heat Seal Roller Pack Off Table

5-foot Table



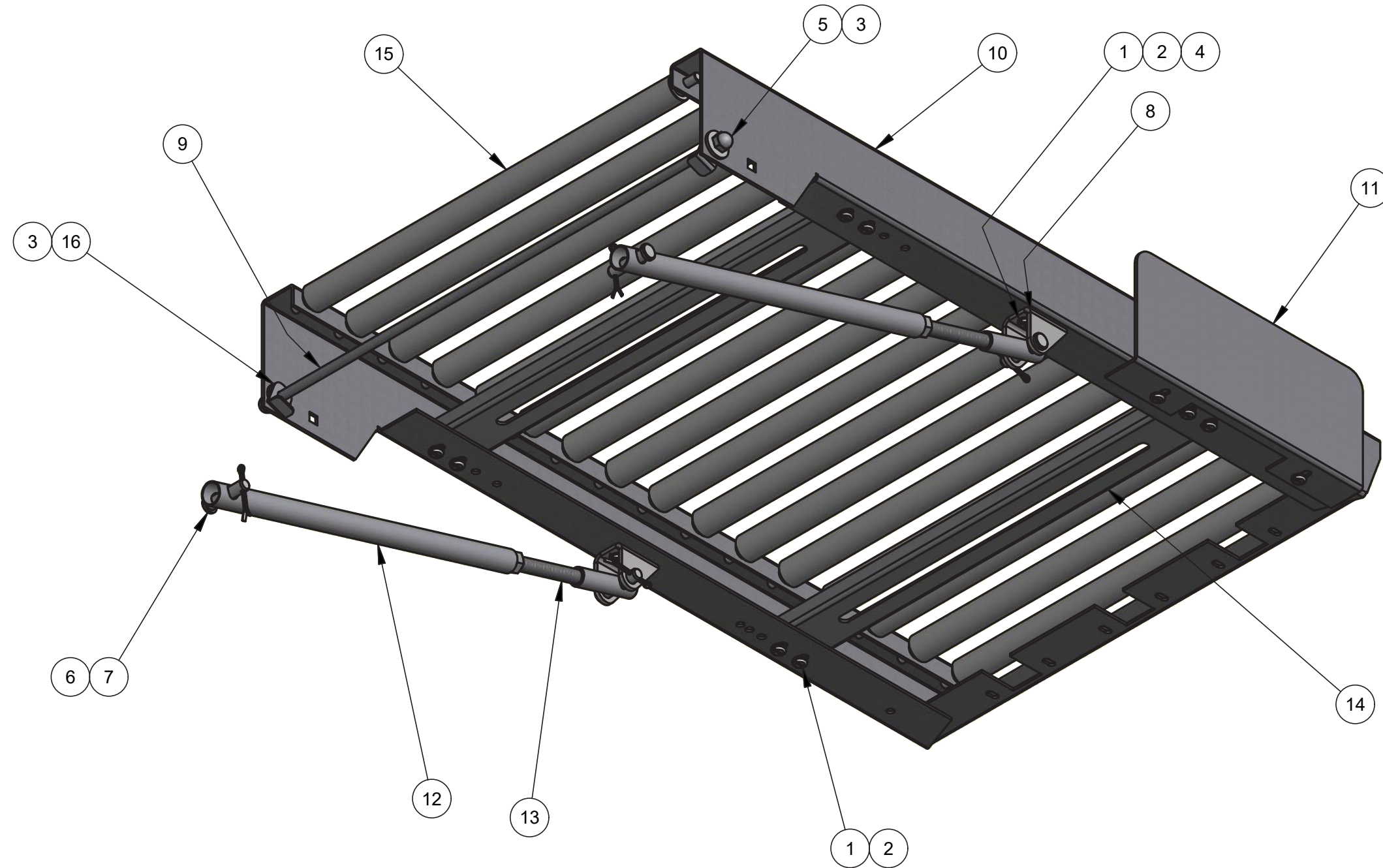
2-foot Conveyor

Part Number/Price

REF #	PART #	DESCRIPTION	QTY	SYNONYM	PRICE
1	Consult	Pan head, slotted 10-32 x 1/2	14	1903-079	Consult
2	Consult	Lockwasher, split, #10, SST	14	1907-027	Consult
3	Consult	1/4 inch flat washer	4	1909-001	Consult
4	Consult	Nut, hex 10-32	6	1911-050	Consult
5	Consult	Nut, acorn, 1/4-20, SST	2	1911-063	Consult
6	Consult	Pin - cotter 3/32 diameter, 1 1/4 lg	4	1921-009	Consult
7	Consult	Pin, clevis 5/16 diameter x 1 1/4 lg	4	1921-010	Consult
8	Consult	Brackets, pivot cylinder	2	5805-090	Consult
9	Consult	Axle, pivot - infeed conveyor	1	6701-042	Consult
10	Consult	Frame weld assembly, infeed	1	6835-105	Consult
11	Consult	Guide, product	1	6835-107	Consult
12	Consult	Support tube weldment	2	6835-108	Consult
13	Consult	Upper support rod weldment	2	6835-109	Consult
14	Consult	Crossmember, dispenser	2	6835-147	Consult
15	200499	Conveyor roller assembly, spring loaded	16	6835-369	\$48.00
16	Consult	Bracket, arm stop	2	6835-378	Consult

Heat Seal Roller Pack Off Table

2-foot Conveyor



Heat Seal Scale Mate Hand Wrap



Scale Mate

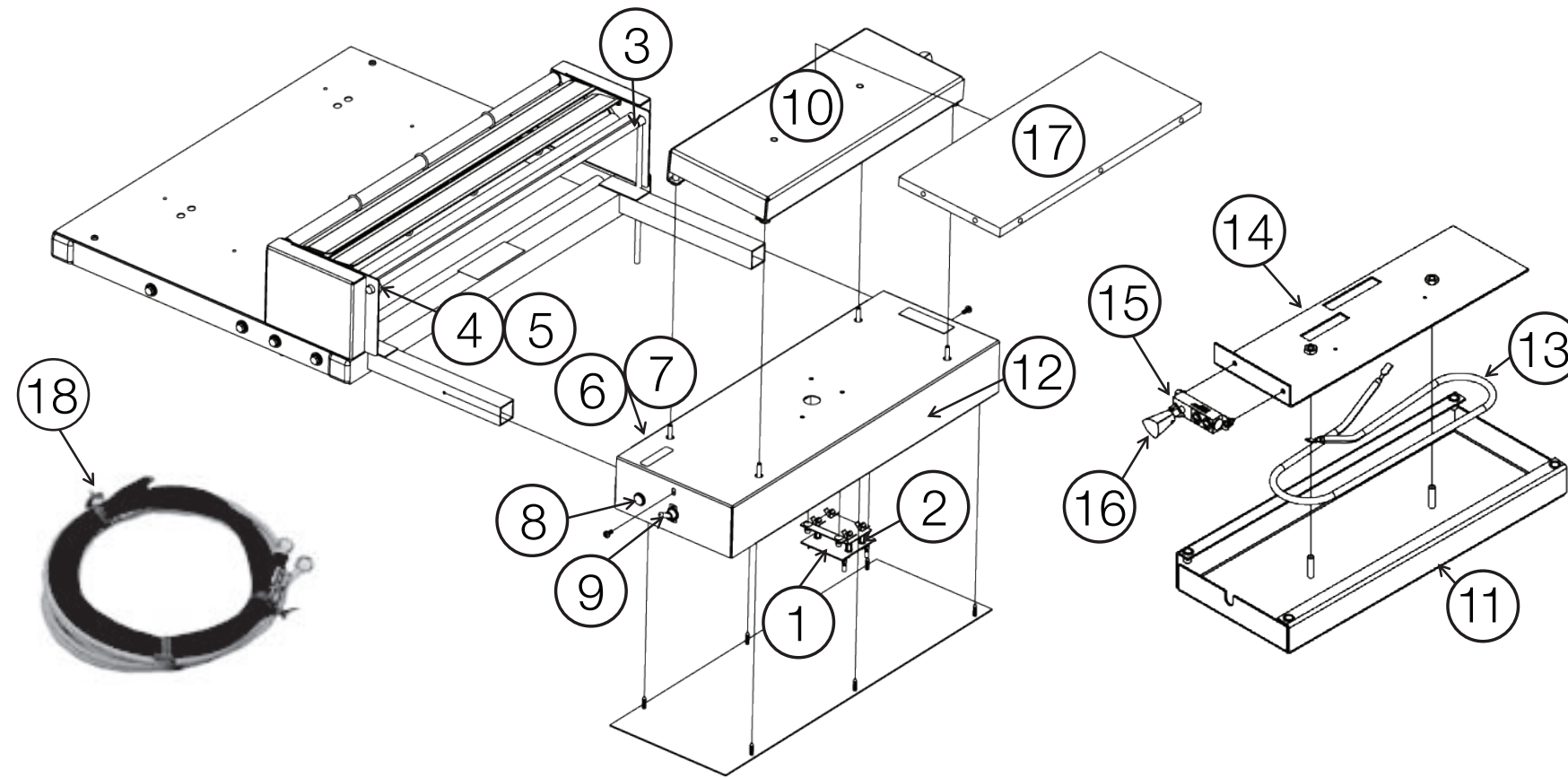
Electrical Components

Part Number/Price

REF #	PART #	DESCRIPTION	QTY	SYNONYM	PRICE
1	72928	Circuit board for film cut-off rod	1	1818-001	\$142.00
2	211836	Stand-off clip type	4	1929-002	\$8.00
3	72929	Film cut-off rod	1	1824-018	\$206.00
4	203214	Collar, film cut-off rod	1	3005-010	\$15.00
5	Consult	Screw, set, socket, cup pt, 8-32 x 1/4, black	1	1905-021	Consult
6	196453	Fuse, 1 amp MDA, slo-blo	1	1821-034	\$11.00
7	210987	Fuse holder 1/4 quick disc., with 1 amp MDA fuse slo-blo	1	1821-013	\$24.00
8	Consult	Round red pilot light 125V	1	6108-002	Consult
9	173775	15 amp toggle switch 125V	1	1872-008	\$21.00
10	184314	Hot plate assembly. 6 x 15, 115V std	1	6101-020	Consult
	Consult	Hot plate assembly. 8 x 15, 115V std	1	6102-043	Consult
11	Consult	6 x 15 fabricated hot plate	1	6305-076	Consult
	Consult	8 x 15 fabricated hot plate	1	6305-079	Consult
12	Consult	Electrical housing	1	6401-067	Consult
13	72927	Element	1	6110-016	\$48.00
14	Consult	Element support plate	1	6305-080	Consult
15	72936	B-200 thermostat	1	1881-002	\$165.00
16	180502	Knob for B-200 thermostat	1	2145-023	\$13.00
17	53866	Non-stick cover 6 x 15	1	5901-011	\$34.00
	Consult	Non-stick cover 8 x 15	1	5901-001	Consult
18	159771	Seal plate wire harness kit	1	6110-040	\$95.00
—	Consult	Timer, spring wound, 12 hr	1	1884-023	Consult
—	Consult	Knob, timer, spring wound	1	2145-031	Consult

Heat Seal Scale Mate Hand Wrap

Electrical Components



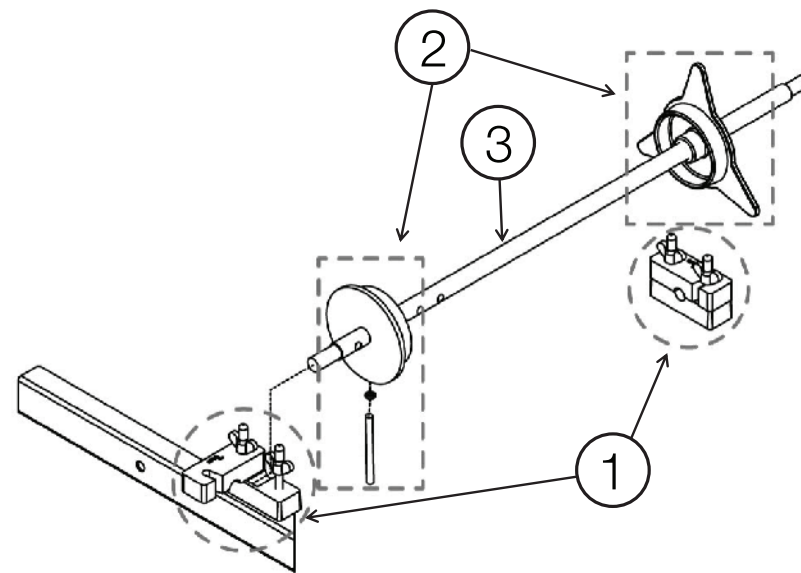
Axle Mount

Part Number/Price

REF #	PART #	DESCRIPTION	QTY	SYNONYM	PRICE
1	86001	Bearing Block Set, Includes: upper bearing block (right), upper bearing block (left), lower bearing blocks (2), stainless steel wing nut (4) rubber luster cap (4)	2	6305-018	\$54.00
2	86002	3 inch core adapter set includes: 3 inch adjustable core, 3 inch fixed core, pin core adapter	2	6110-023	\$43.00
3	86003	Core axle, 21 15/16 inch long	2	3005-004	\$62.00

Heat Seal Scale Mate Hand Wrap

Axle Mount Assembly



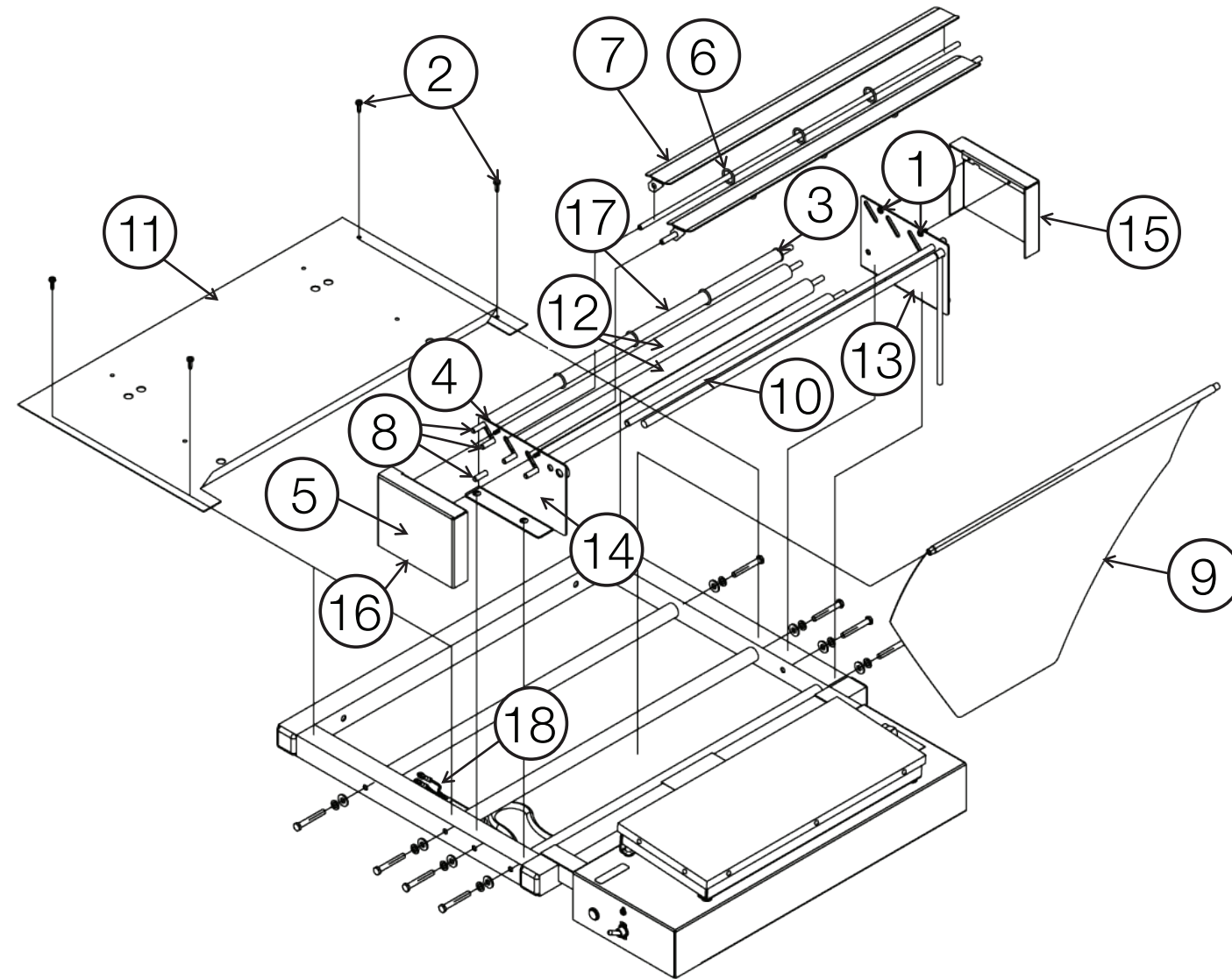
Major Assemblies

Part Number/Price

REF #	PART #	DESCRIPTION	QTY	SYNONYM	PRICE
1	Consult	Screw, machine, pan head, slot, SST, 8-32 x 3/8 long	4	1903-077	Consult
2	Consult	Screw, self tap, 8-32 x 1/2	4	1905-055	Consult
3	206252	Bearing, flange, nylon, 5/16 ID x 1/2 OD x 1/2 long	5	2105-009	\$9.00
4	206253	Bearing, flanged, bronze	6	2105-057	\$10.00
5	Consult	Label, threading diagram	1	2150-143	Consult
6	Consult	O ring, 5/8 ID x 13/16 OD	6	2185-002	Consult
7	196878	Flipper, film selector	1	6401-020	\$126.00
8	Consult	Shaft, film selector/film	6	6401-021	Consult
9	Consult	Separator, film - Scale Mate	1	6401-025	Consult
10	206004	Rod, separator, film	1	6401-027	\$27.00
11	Consult	Housing, mounting, scale	1	6401-062	Consult
12	196866	Tube film guide - 20 inch	5	6401-070	\$53.00
13	Consult	Bracket, tension roller - right	1	6401-087	Consult
14	Consult	Bracket, tension roller - left	1	6401-088	Consult
15	Consult	Cover, bracket - tension roller, right	1	6401-089	Consult
16	Consult	Cover, bracket - tension roller, left	1	6401-090	Consult
17	196877	Tube, film guide - 5/8 x 19 3/8	1	6401-111	\$52.00
18	Consult	5-foot 16/3 SJT power cord with cap	1	1851-002	Consult
—	46927	Wing, right, all stainless steel 14 in x 22 in		6430-009	\$292.00
—	47672	Wing, left, all stainless steel 14 in x 22 in		6430-010	\$292.00
—	53962	Wing with hood, all stainless steel 14 in x 34 in		6430-001	\$755.00
—	53963	All purpose center shelf, stainless steel 12 in x 24 in		6430-002	\$322.00
—	104994	Foot assembly		2135-003	\$107.00

Heat Seal Scale Mate Hand Wrap

Major Assemblies



Rice Lake BenchMark® and Roller Pack Off Table



BenchMark® Single Point 12 x 18 in Stainless Steel

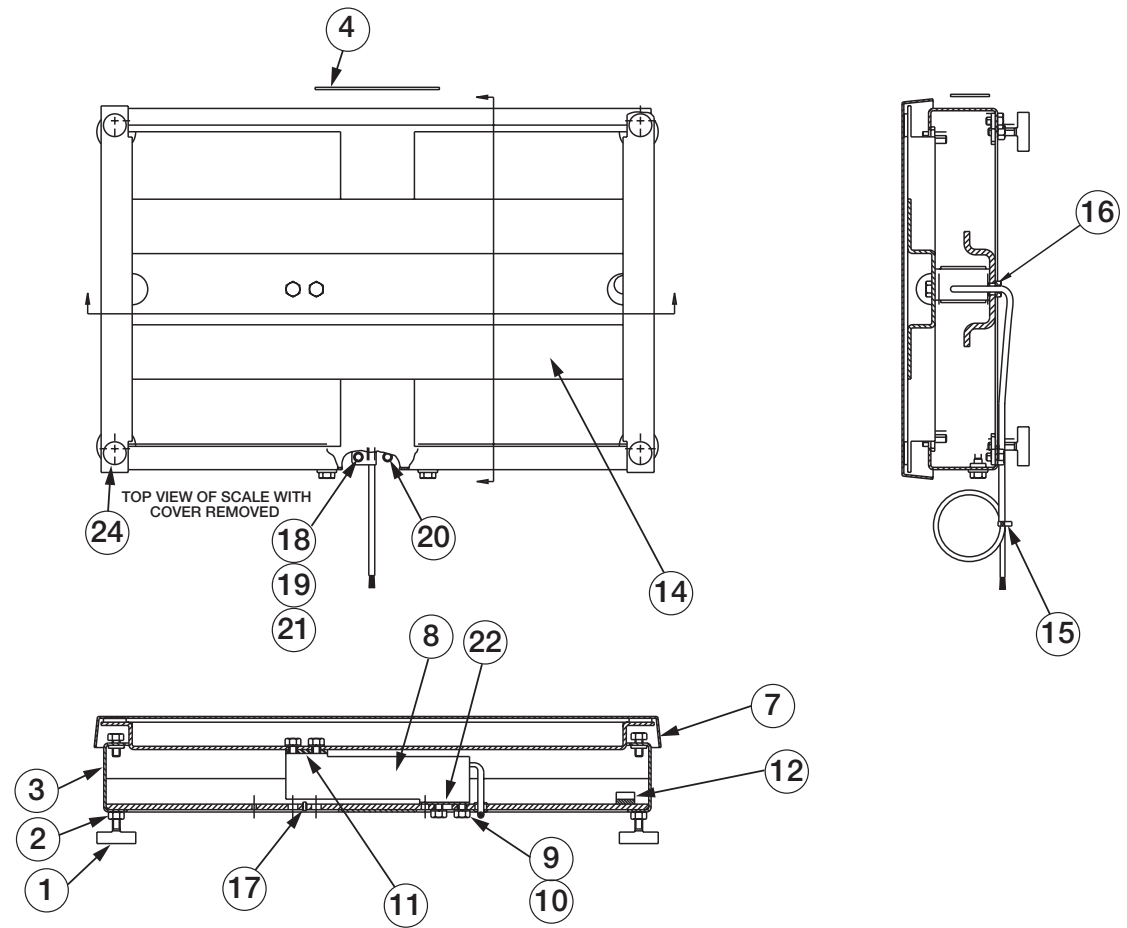
Part Number/Price

REF#	PART#	DESCRIPTION	PRICE
	22125	Benchmark manual	\$5.25
1	35128	Foot, bench scale, 1/4-20 NC	\$14.00
2	14645	Nut, jam, 1/4-20 NC, hex	\$1.50
3	32795	Bottom sub-assembly	\$224.00
4	52342	Label, bench scale	\$4.60
7	32957	Top cover, 12 in x 18 in	\$127.00
8	40962	Load cell, RL1042-50 lb model	\$180.00
8	40964	Load cell, RL1042-100 lb model	\$180.00
9	15148	Washer, lock, 1/4 regular	\$1.25
10	14963	Overload screw, cap, 1/4-20 NC x 3/4	\$1.50
11	35082	Top shim, load cell	\$4.00
12	15410	Level, spirit bubble	\$7.00
14	32797	Spider top, 12 in x 18 in	\$109.00
15	16141	Cable tie, 8 in nylon	\$1.50
16	15418	Grommet, rubber	\$1.50
17	14920	Screw, set, 8-32 NC x 1/4, hex	\$1.50
18	15409	Clamp, cable, no. 8 hole	\$1.50
19	15138	Washer, plain, STD no. 8	\$1.50
20	15132	Washer, lock, no. 8, type A	\$1.50
21	14862	Screw, Mach, 8-32 NC x 3/8	\$1.50
22	19089	Bottom shim, load cell	\$3.00
24	26408	Bumper, self adhesive	\$2.00
AC-4000i			
	15774	Connector hood, 9-Pin	\$2.00
	15799	Connector, 9-Pin, female	\$8.00
	99788	Screw, SST 2.5 mm x 12 mm	\$2.00
SR-2000ai/BC-4000E/L2i			
	68420	Connector assembly, male	\$19.00
	91895	Harness, A/D female	\$35.00

(See diagram BenchMark-B)

Rice Lake

BenchMark® Single Point 12 x 18in Stainless Steel



PINOUT for AC-4000i, SR-2000ai and BC-4000L2i (Ei) connectors

AC-4000i Connector

15799 Color Code:

Pin #1	Shield
Pin #2	White
Pin #3	Red
Pin #4	Black
Pin #5	Green

(RLSP4 Load Cell)

SR-2000ai, BC-4000L2i (Ei) Connector

68420 Color Code:

Pin #1	Green
Pin #2	Black
Pin #3	White
Pin #4	Red
Pin #5	Shield

(RLSP4 Load Cell)

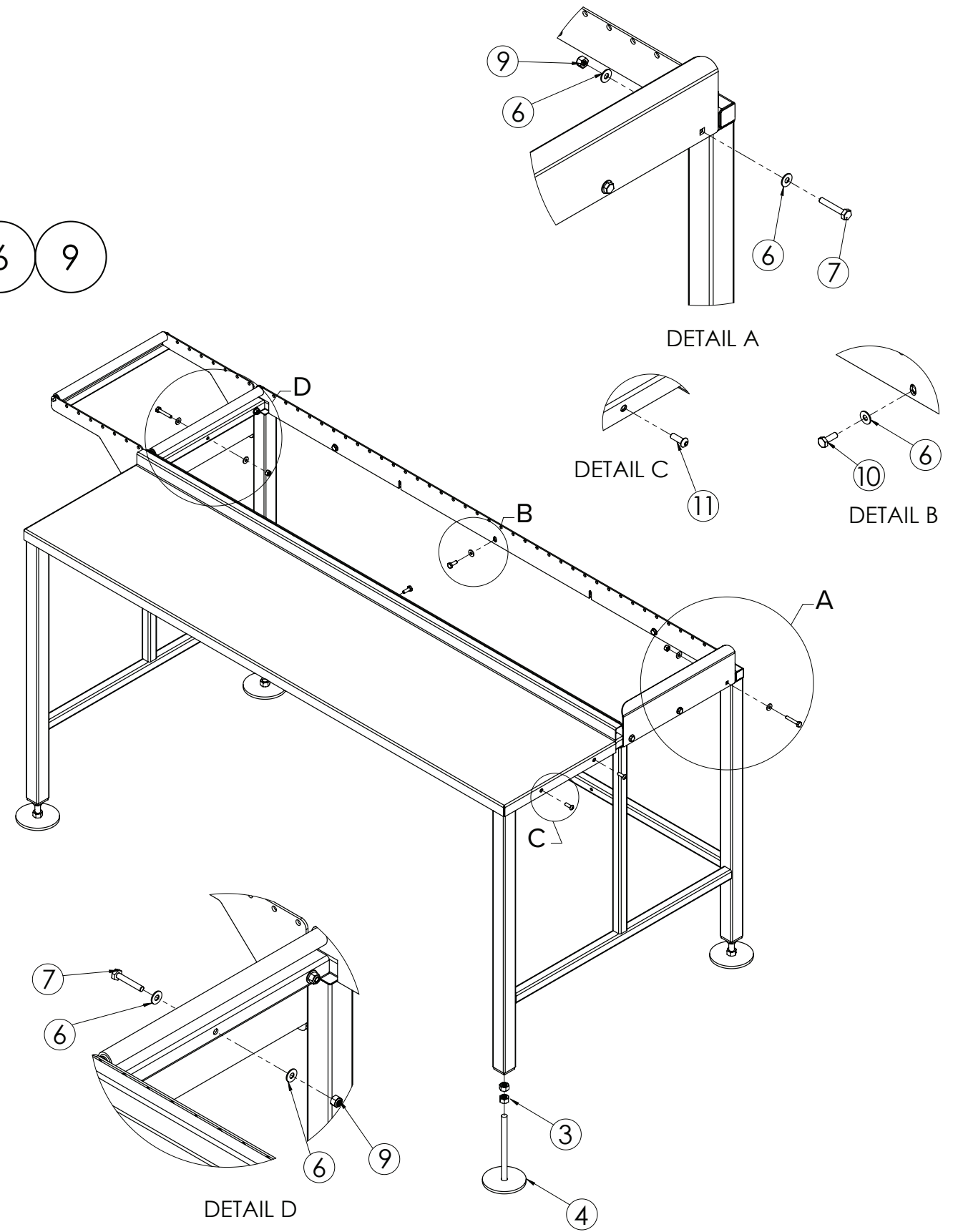
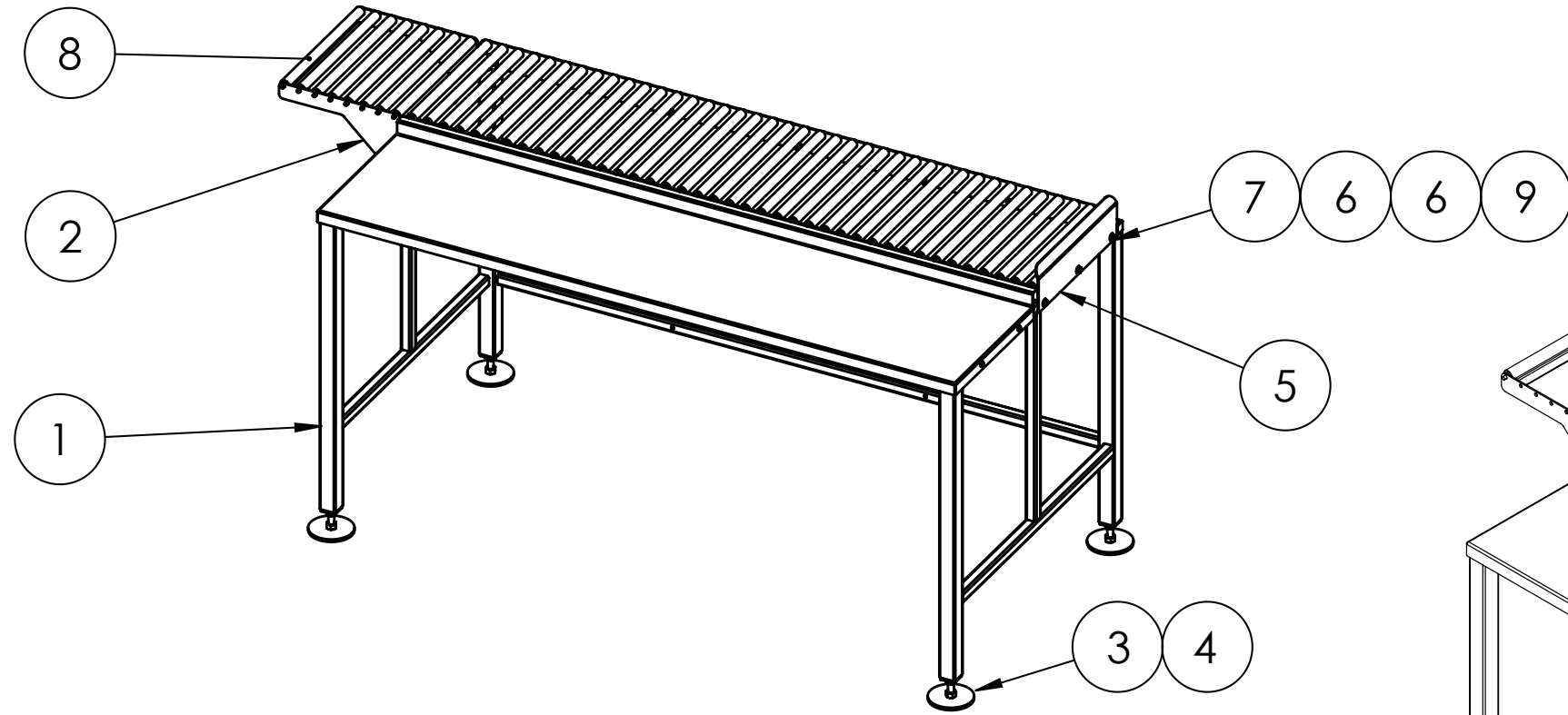
Roller Pack Off Table

Part Number/Price

REF #	PART #	DESCRIPTION	QTY	SYNONYM	PRICE
1	192311	Pack off table wldt SST	4		\$1,071.00
2	192087	Pack off table, 1-foot extension	1		\$119.00
3	190767	Leveling foot, 1/2-13 x 7	4		Consult
4	125663	Nut, hex 1/2-13NC 18-8 SST	4		\$1.15
5	190755	Pack off table end stop	1		Consult
6	15149	Washer, plain STD 1/4 SST	26		\$1.50
7	106462	Screw, cap 1/4-20NC x 1-1/2 SST	6		\$4.00
8	199291	Conveyor roller, 1/4 in, SST shaft, 0.84 inch dia., PVC roller, 316 SST balls, 13 3/4 inch between frames	48		\$27.00
9	14634	Nut, lock 1/4-20NC hex SST	10		\$1.50
10	14963	Screw, cap 1/4-20NC x 3/4 SST	6		\$1.50
11	41251	Screw, cap 1/4-20NC x 3/4 SST	4		\$4.00
999	14984	Screw, cap 1/4-20NC x 1-3/4	4		\$1.50

Rice Lake

Roller Pack Off Table



Ishida WM-4000



Price and availability confirmation recommended

An ISO 9001 Registered Company ©2026 Rice Lake Weighing Systems 1/26 Prices and specifications subject to change without notice. Visit ricelake.com for current prices.

RICE LAKE
WEIGHING SYSTEMS

Discontinued Products

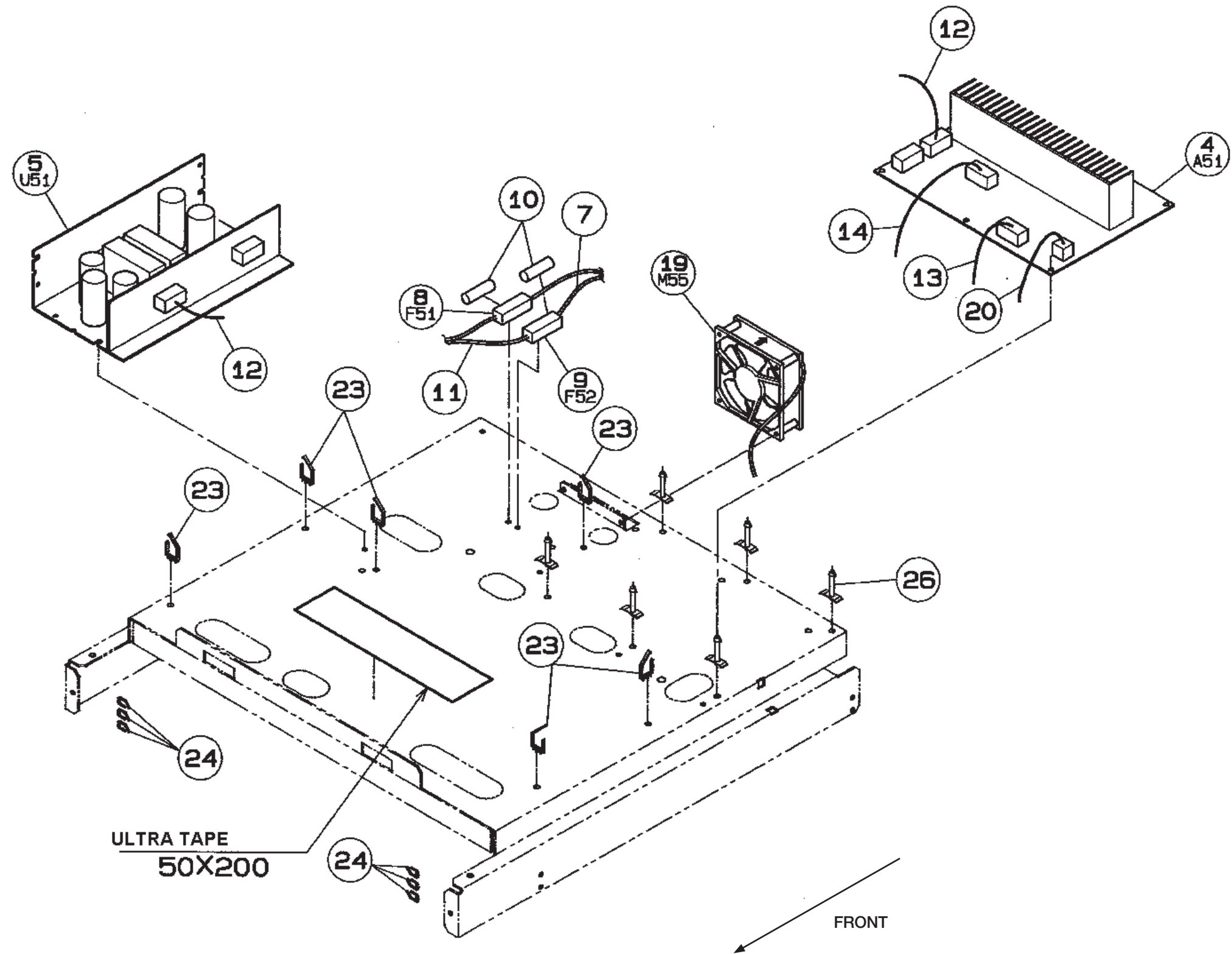
Applicator Unit, Fixed

Part Number/Price

REF #	PART #	DESCRIPTION	QTY	SYNONYM	PRICE
4	104230	PWB, P-916, C, applicator controller (A51)	1	093-1702-27	\$553.00
5	157897	Power supply, switching (U51)	1	110-7784-05	\$255.00
7	Consult	Harness, S4, PS AC	1	069-6543-35	\$11.00
8	72857	Fuse holder, terminal type	1	000-4119-04	\$11.00
9	72856	Fuse holder, terminal type	1	040-2724-07	\$11.00
10	99133	Fuse, glass tube, 250V 8A (F51, F52)	2	017-5713-01	\$3.00
11	Consult	Harness, C3, PS fuse	1	072-8555-26	\$8.00
12	Consult	Harness, S2, motor power	1	090-5392-01	\$10.00
13	Consult	Harness, C3, console if	1	072-8552-25	\$11.00
14	Consult	Harness, C5, EXT signal	1	090-5393-13	\$28.00
19	Consult	Fan assembly (M55)	1	090-5391-07	\$65.00
20	Consult	Harness, C2, ground	1	072-2104-28	\$2.00
23	Consult	Accessory, clamp, LWS clamp	7	073-7214-01	\$1.00
24	Consult	Accessory, clamp, LWS clamp	6	073-7212-04	\$1.00
26	47027	PWB accessory, card spacer	6	000-1796-05	\$2.00

Ishida WM-4000

Applicator Unit, Fixed



Applicator Unit, Moving

Part Number/Price

REF #	PART #	DESCRIPTION	QTY	SYNONYM	PRICE
1	103224	Cushion, applicator	1	103-3787-13	\$29.00
2	Consult	Cover, arm, harness	1	078-0763-29	\$6.00
3	Consult	Bracket, fan	1	103-3872-17	\$79.00
4	Consult	Shaft, joint	4	078-0786-15	\$4.00
5	Consult	Spring, coil, compressive	2	068-5127-10	\$4.00
6	Consult	Masking plate, Z, lower	1	078-0638-17	\$6.00
7	Consult	Block B, slide, applicator	1	077-4983-29	\$4.00
8	Consult	Bracket arm	1	078-0787-46	\$69.00
9	Consult	Threaded rod, round, FF	2	078-0639-11	\$7.00
10	Consult	Spring, coil, compressive	2	075-1084-07	\$4.00
11	Consult	Cover, applicator, Z	1	095-4278-01	\$25.00
12	116275	Bracket, sensor	1	078-0753-12	\$29.00
13	103223	Sheet	1	066-1916-03	\$6.00
14	172616	Bearing radial, deep groove	2	057-0387-08	\$36.00
15	Consult	Timing pulley, XL	1	059-8296-42	\$28.00
16	195586	Timing pulley, XL	1	059-8460-10	\$22.00
17	157889	Timing belt, XL, rotation, white	1	078-0759-05	\$9.00
18	Consult	Bracket rotation, lower	1	077-4777-19	\$41.00
19	116276	Spacer, fan	1	078-0635-16	\$2.00
20	Consult	Bracket, rotation, upper	1	077-4778-21	\$24.00
21	172615	Bearing unit, linear, rolling	1	072-5427-21	\$377.00
22	Consult	Block B, holder, Z	1	077-4982-07	\$11.00
23	Consult	Shaft, slide	1	075-1082-00	\$27.00
24	48206	Bearing, linear bush, 121-5347-00	1	028-1516-05	\$33.00
25	Consult	Holder, belt	1	077-4780-39	\$8.00
26	Consult	L plate B, sensor, Z	1	078-0631-11	\$7.00
27	45229	Timing pulley, XL, AF	1	041-1527-03	\$14.00
28	117784	Timing belt, XL, up/down, white	1	030-8488-01	\$13.00
29	172572	Bearing, radial, deep groove	8	094-2650-00	\$6.00
30	Consult	Bearing, radial	3	000-3622-08	\$13.00
31	157890	Timing belt, XL, front/back, white		021-3286-05	\$14.00
32	Consult	Shaft, slide	2	077-4775-30	\$22.00
33	172609	Bearing, linear bush	2	069-4928-01	\$42.00
34	173743	Holder, belt	3	068-5090-25	\$3.00
35	173746	Holder, belt Y	1	078-0756-13	\$11.00
36	Consult	L plate A, detect plate, Y	1	077-4779-16	\$6.00
37	Consult	Housing, linear, Y	2	077-4981-03	\$38.00
38	Consult	Shaft, linear	2	077-4773-14	\$41.00
39	Consult	Detect plate, rotation, lower	1	078-0632-15	\$4.00
40	Consult	Detect plate, rotation, upper	1	078-0633-19	\$4.00
41	Consult	L plate B, stopper	1	078-0764-22	\$6.00
42	Consult	Cover, applicator, Z	1	103-3871-13	\$101.00
43	Consult	Housing, linear, X	1	077-4984-04	\$31.00
44	157900	Bearing, linear bush	4	069-4929-04	\$27.00
45	Consult	Timing pulley, XL, BF	1	076-1831-00	\$21.00
46	Consult	Shaft, bearing	3	078-0629-13	\$8.00

X-axis - right/left, Y-axis - front/back, Z-axis - up/down

Price and availability confirmation recommended

An ISO 9001 Registered Company ©2026 Rice Lake Weighing Systems 1/26 Prices and specifications subject to change without notice. Visit ricelake.com for current prices.

RICE LAKE
WEIGHING SYSTEMS

Discontinued Products

Applicator Unit, Moving

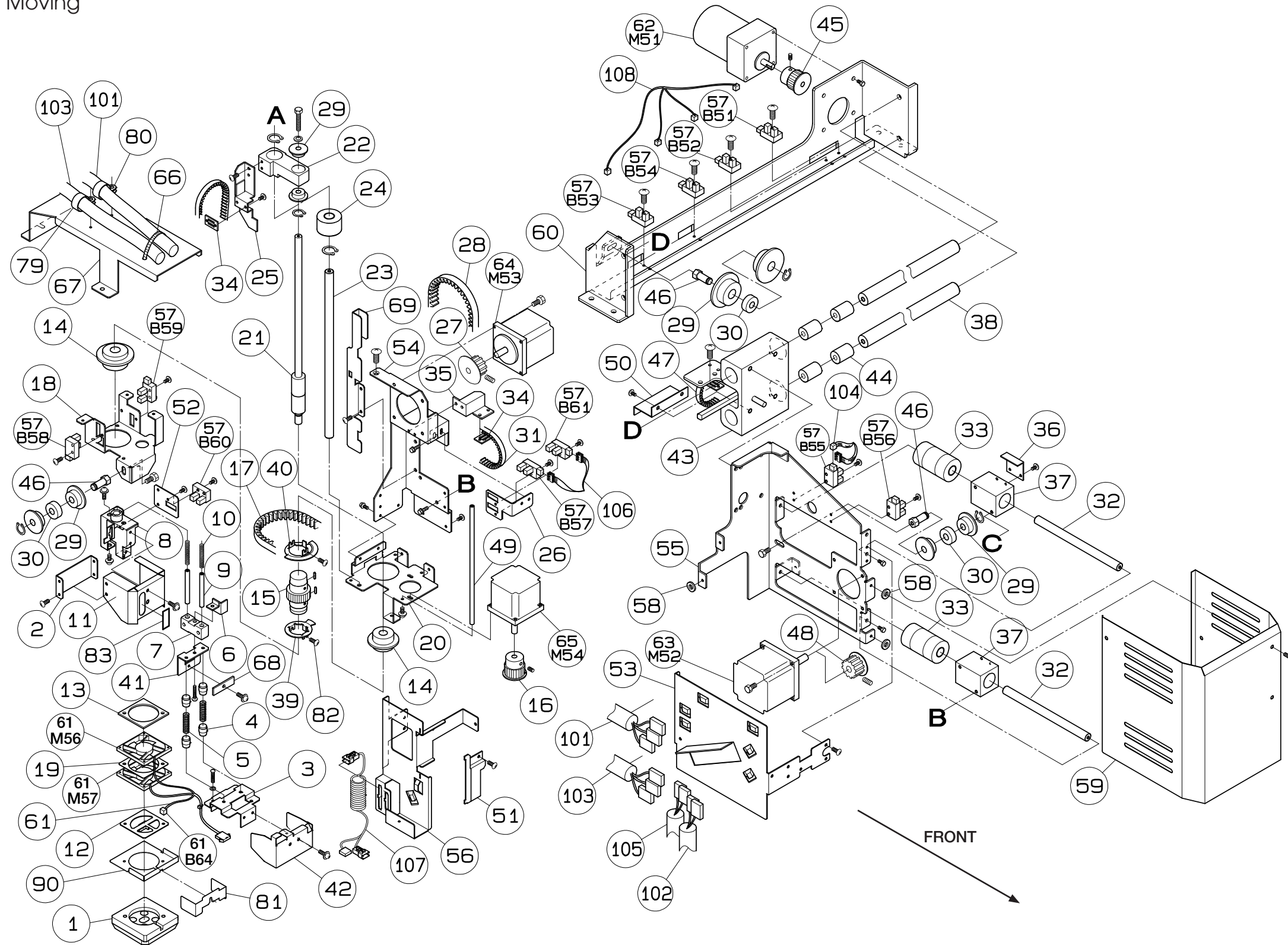
Part Number/Price

REF #	PART #	DESCRIPTION	QTY	SYNONYM	PRICE
47	173747	Timing belt XL, right/left, black	1	078-0765-08	\$13.00
48	Consult	Timing pulley, XL, AF	1	077-4980-19	\$11.00
49	Consult	Threaded rod, round, FF	1	077-4774-09	\$8.00
50	Consult	Crank plate A, baffle plate	1	078-0634-12	\$10.00
51	Consult	Cover, harness	1	078-0640-15	\$18.00
52	Consult	Plate B, sensor	1	078-0630-18	\$5.00
53	Consult	Cover, harness	1	078-0641-19	\$25.00
54	Consult	Bracket, applicator, Y	1	078-0642-31	\$38.00
55	Consult	Bracket, applicator, X	1	078-0809-44	\$62.00
56	Consult	Cover, harness, Y	1	078-0643-25	\$33.00
57	104239	Photo interrupter, transmitter, white conn. (B51~B61)	11	070-5204-14	\$12.00
58	Consult	Sheet	4	075-1075-12	\$4.00
59	Consult	Cover, applicator	1	078-0755-56	\$45.00
60	Consult	Bracket, applicator, X	1	077-4993-35	\$62.00
61	103221	Fan assembly, suction (includes fans M56, M57 and sensor B64)	1	094-0414-28	\$153.00
62	162098	Motor assembly, stepping, X (M51)	1	079-3002-08	\$208.50
63	162099	Motor assembly, stepping, Y (M52)	1	079-3003-11	\$85.00
64	162100	Motor assembly, stepping, Z (M53)	1	077-0000-14	\$102.00
65	162101	Motor assembly, stepping, rotation (M54)	1	079-3001-04	\$74.00
66	Consult	Accessory, band, fastener	12	000-1842-03	\$2.00
67	Consult	Bracket, wiring, applicator	1	077-4776-06	\$18.00
68	174464	Insulator	1	075-1077-01	\$5.00
69	Consult	Cover, harness	1	078-0808-41	\$12.00
79	Consult	Accessory, clamp, nylon clamp	1	022-7032-08	\$1.00
80	Consult	Accessory, clamp, nylon clamp	1	034-0238-06	\$1.00
81	157901	Tape, sponge side	1	091-2126-02	\$13.00
82	Consult	Screw, plus bind, P3	4	091-2374-00	\$1.00
83	Consult	Tape, magic	1	095-4440-09	\$5.00
90	Consult	Bracket, fan	1	103-3870-10	\$65.00
101	Consult	Harness, C6, motor work X (P-916 to M52, harness 102)	1	079-3007-24	\$90.00
102	Consult	Harness, C4, motor work Y (harness 101 to M53, M54)	1	079-3008-28	\$74.00
103	Consult	Harness, C8, sensor work X (P-916 to harnesses 104, 105)	1	079-3009-21	\$82.00
104	Consult	Harness, C3, sensor Y (harness 103 to B55, B56)	1	079-3006-11	\$10.00
105	157902	Harness, C4, sensor work Y (harness 103 to harnesses 107, 106)	1	079-3010-26	\$81.00
106	157903	Harness, C5, sensor Z rotation (harness 105 to B57, B58, B59, B61)	1	079-3004-32	\$19.00
107	114160	Harness, C3, sensor work Z, coiled cable (harness 105 to B60, assembly 61)	1	079-1443-28	\$107.00
108	Consult	Harness, C6, sensor X (P-916 to B51, B52, B53, B54)	1	079-3005-18	\$21.00

X-axis - right/left, Y-axis - front/back, Z-axis - up/down

Ishida WM-4000

Applicator Unit, Moving



- B51 - Right/left (X-axis), right position
- B52 - Right/left (X-axis), printer #1 pickup position
- B53 - Right/left (X-axis), printer #2 pickup position
- B54 - Right/left (X-axis), left position
- B55 - Front/back (Y-axis), rear position
- B56 - Front/back (Y-axis), front position
- B57 - Up/down (Z-axis), middle position
- B58 - Rotation (O-axis), left
- B59 - Rotation (O-axis), right
- B60 - Applicator head tray contact
- B61 - Up/down (Z-axis), upper position
- B64 - Label pickup confirmation

X-axis - right/left, Y-axis - front/back, Z-axis - up/down

Centering Unit

Part Number/Price

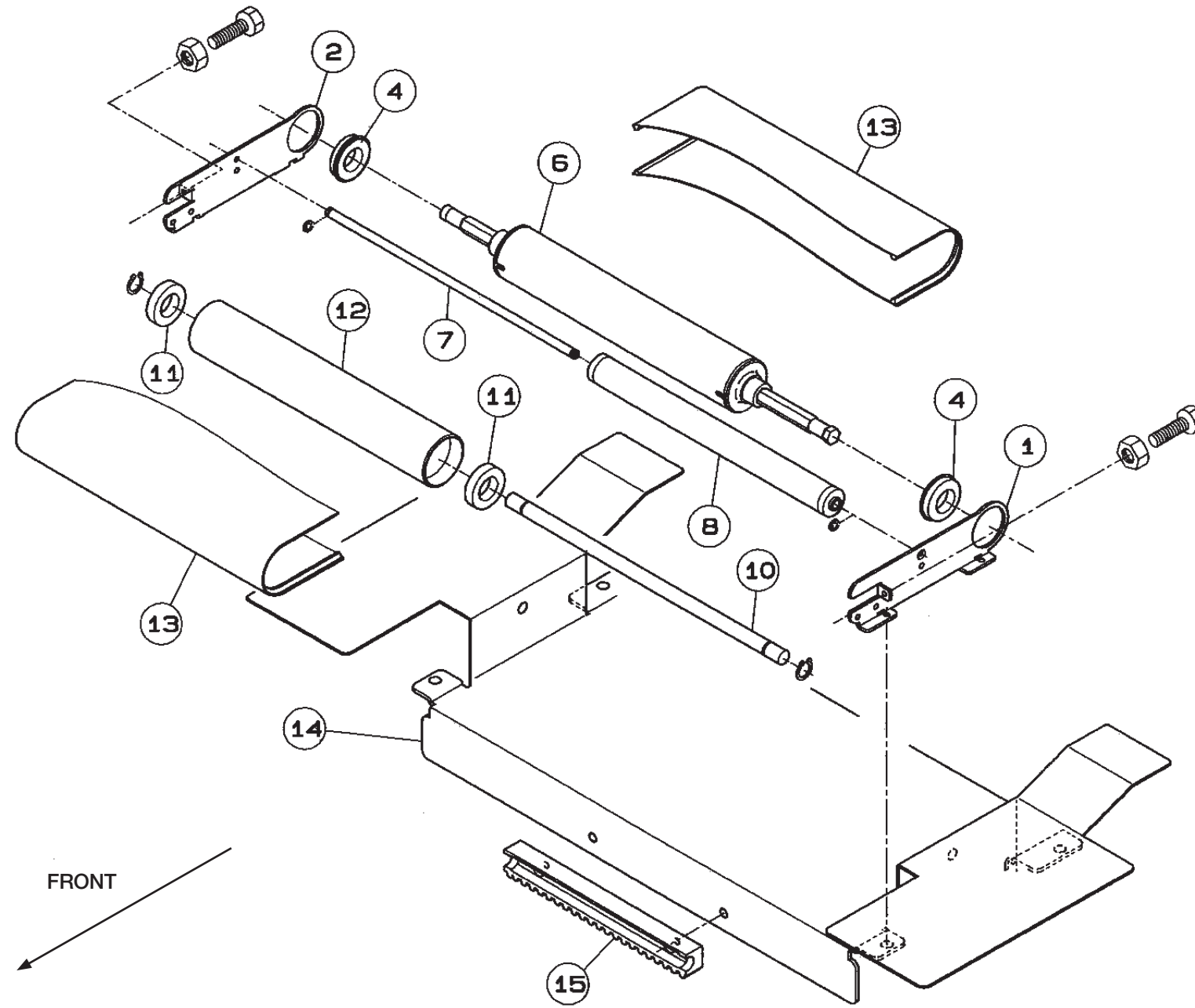
REF #	PART #	DESCRIPTION	QTY	SYNONYM	PRICE
1	188595	Frame, conveyor right	1	076-1925-06	\$13.00
2	188596	Frame, conveyor left	1	076-1926-00	\$13.00
4	172510	Bearing, radial, deep groove	2	076-1701-09	\$27.00
6	182981	Roller assembly, drive	1	095-4176-14	\$157.00
7	182987	Shaft, roller	1	072-2152-18	\$27.00
8	182988	Roller	1	072-2150-11	\$40.00
10	182982	Shaft, follower	1	076-9996-19	\$31.00
11	182986	Bearing, radial, deep groove	2	016-4885-07	\$9.00
12	182983	Roller, follower	1	070-1042-31	\$59.00
13	175411	Flat belt	1	090-0924-12	\$142.00
14	Consult	Bracket, rack	1	090-0748-22	\$123.00
15	157896	Gear, rack	1	076-1842-01	\$8.00

Price and availability confirmation recommended

An ISO 9001 Registered Company ©2026 Rice Lake Weighing Systems 1/26 Prices and specifications subject to change without notice. Visit ricelake.com for current prices.

Ishida WM-4000

Centering Unit



Connection Unit

Part Number/Price

REF #	PART #	DESCRIPTION	QTY	SYNONYM	PRICE
1	Consult	Bracket rotation, console	1	090-0769-58	\$72.00
2	Consult	Stay console	1	090-0770-16	\$112.00
3	Consult	PlateA, round	1	069-4614-01	\$3.00
4	47159	Knob, includes nut	1	000-1543-00	\$5.00
5	200513	Hex bolt, M6x65 mm SST	1	002-2240-00	\$2.00
6	200520	Wave washer, M10 black oxide	1	004-7621-08	\$2.00
7	Consult	Collar	1	072-2355-08	\$8.00
8	Consult	Harness, S2, ground	1	076-9602-11	\$4.00

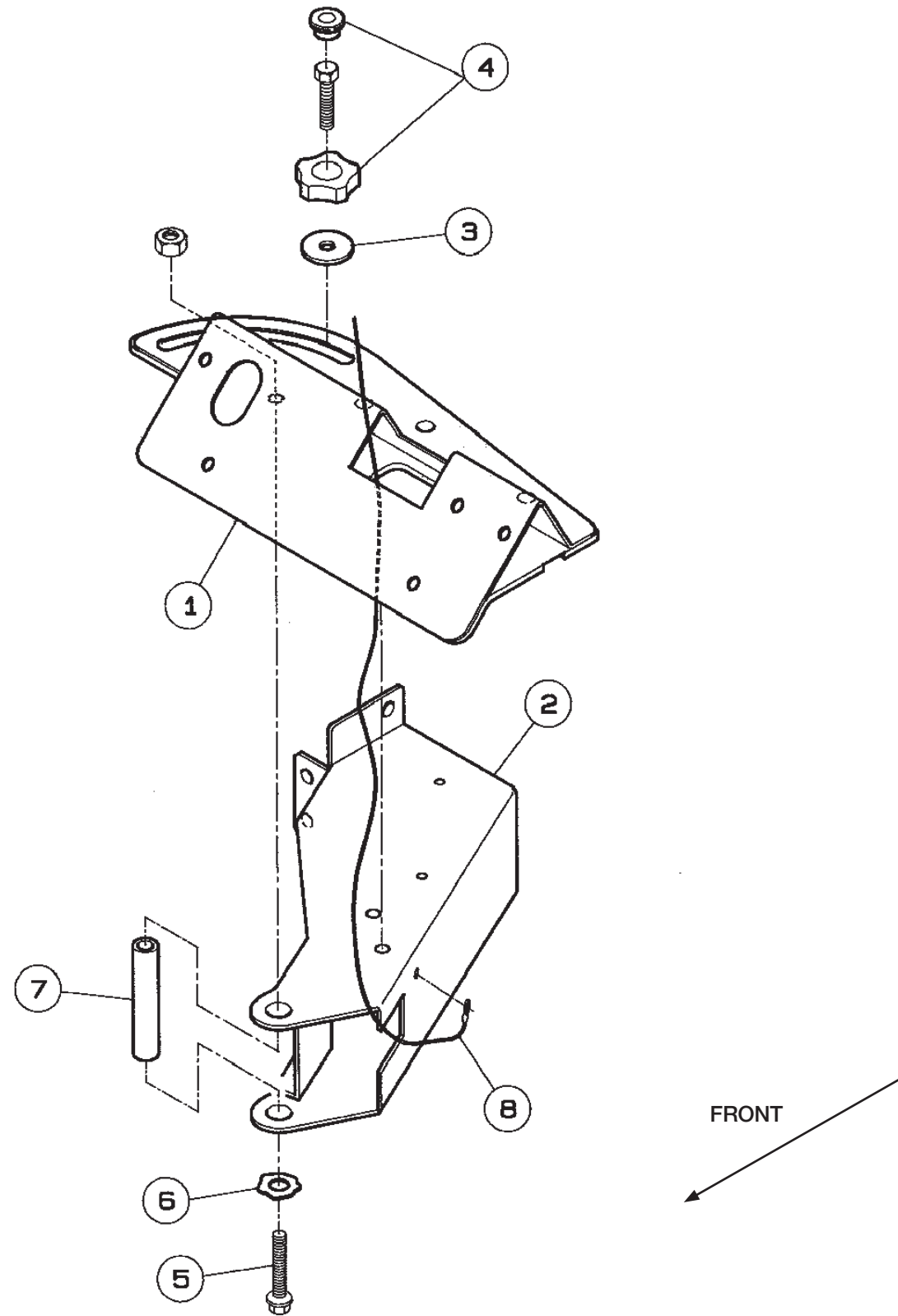
Price and availability confirmation recommended

An ISO 9001 Registered Company ©2026 Rice Lake Weighing Systems 1/26 Prices and specifications subject to change without notice. Visit ricelake.com for current prices.



Ishida WM-4000

Connection Unit



Control Unit Auto

Part Number/Price

REF #	PART #	DESCRIPTION	QTY	SYNONYM	PRICE
1	Consult	PWB accessory, collar bush	4	000-1845-04	\$1.00
2	Consult	Frame, console, lower	1	079-8935-38	\$69.00
3	Consult	Frame, console	1	079-8936-41	\$115.00
4	Consult	PWB accessory, spacer	8	058-7652-08	\$2.00
5	Consult	PWB accessory, spacer	6	073-7206-01	\$2.00
8	Consult	Cover, inside	1	079-8934-07	\$23.00
10	Consult	Cover, connector	1	070-5198-15	\$21.00
11	Consult	Collar spacer	3	001-6812-07	\$1.00
12	Consult	Collar spacer	1	000-7831-04	\$1.00
14	Consult	Connector, D sub, accessory	2	070-9748-09	\$3.00
15	Consult	Connector, D sub, accessory	4	070-9749-02	\$2.00
17	Consult	Plate A	1	098-3314-10	\$4.00
18	Consult	Accessory, fastener, edge saddle	1	064-0360-05	\$2.00
19	47015	Accessory, bush, open lock	1	013-8916-01	\$3.00
21	Consult	Name plate, specification	1	116-1932-01	\$0.00
22	Consult	Name plate, explanation, connect	1	073-7113-09	\$4.00
50	98653	PWB, P-910H-2, CPU board (A140)	1	097-5687-37	\$1,003.00
—	91870	Compact flash card 32MB Ishida CF	1	000-112-1001-05	\$96.00
51	98651	PWB, P-909D-3, thermal printer board (A100)	1	101-7737-08	\$246.00
52	Consult	PWB, P-918A-1, connector board (A270)	1	069-6884-17	\$166.00
53	Consult	PWB, P-919B-3, display interface board (A160)	1	101-1508-00	\$213.00
54	87521	Power supply, switching, DL-912W (U220)	1	106-1434-04	\$346.00
56	99133	Fuse, glass tube, 250V 8A (F210, F211)	3	017-5713-01	\$3.00
57	72857	Fuse holder, terminal type	1	000-4119-04	\$11.00
58	72856	Fuse holder, terminal type	1	040-2724-07	\$11.00
60	Consult	Harness, S2, PS 24V	1	069-6683-15	\$11.00
62	Consult	Harness, C2, peripheral INT1	1	069-4847-21	\$12.00
63	Consult	Harness, C2, inverter junction	1	069-6689-26	\$5.00
64	Consult	Harness, S2, RS-232C	1	069-6688-22	\$7.00
65	Consult	Harness, C4, LCD junction	1	098-3157-30	\$26.00
67	Consult	Harness, C2, COMM	1	069-4846-36	\$25.00
68	Consult	Harness, C5, sensor junction 2	1	071-4550-62	\$27.00
69	Consult	Harness, C3, PS	1	069-6685-31	\$14.00
70	Consult	Harness, C4, motor junction	1	071-4553-36	\$20.00
71	Consult	Harness, S2, thermal head	1	069-6673-54	\$88.00
72	Consult	Harness, S2, power junction	1	063-8454-12	\$3.00
73	Consult	Harness, C5, RS-485	1	070-9689-30	\$20.00
75	Consult	Harness, C3, PS AC	1	069-6759-32	\$8.00
76	Consult	Harness, C2, scale	1	090-0940-03	\$9.00
77	Consult	Harness, S2, operation	1	074-0831-01	\$82.00
78	Consult	PWB, P-967-1 ethernet board (A200)	1	095-4469-06	\$21.00
79	Consult	Harness, S2, ethernet	1	096-7500-07	\$12.00
80	Consult	PWB accessory, spacer	2	064-1783-01	\$2.00
81	Consult	PWB accessory, card spacer	1	043-1634-03	\$5.00
82	47027	PWB accessory, card spacer	3	000-1796-05	\$2.00
91	Consult	SEAL, name plate	1	072-8875-00	\$5.00
93	Consult	Filter, ferrite core	1	103-4034-07	\$5.00
94	186416	Filter, ferrite core	4	074-0771-01	\$11.00
95	186522	Filter, ferrite core	1	096-9524-03	\$11.00
999	91871	PCMCIA CF card adapter, compact flash type II	—	—	\$31.00

Price and availability confirmation recommended

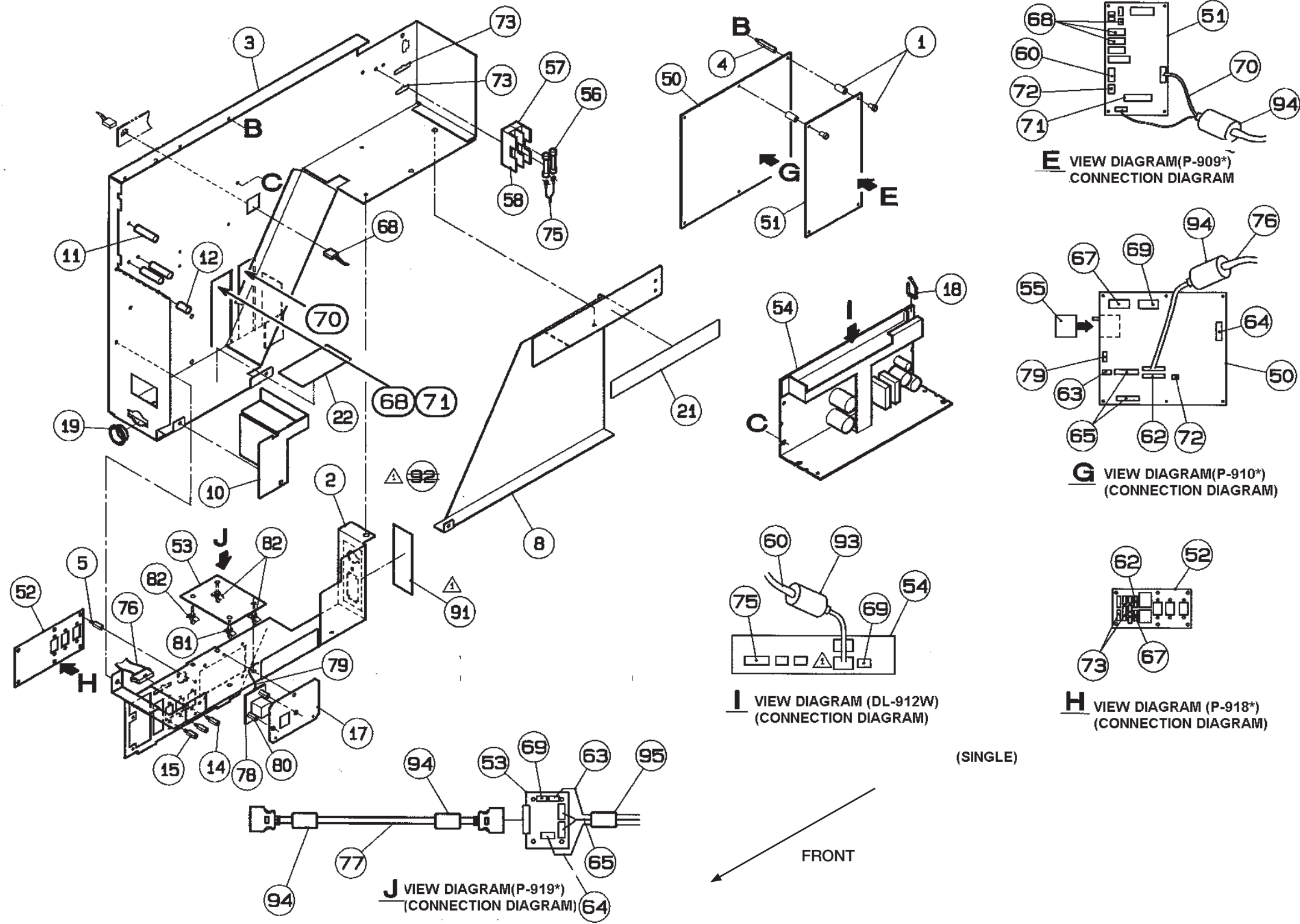
An ISO 9001 Registered Company ©2026 Rice Lake Weighing Systems 1/26 Prices and specifications subject to change without notice. Visit ricelake.com for current prices.

RICE LAKE
WEIGHING SYSTEMS

Discontinued Products

Ishida WM-4000

Control Unit Auto



(SINGLE)

Cover Unit - Inside

Part Number/Price

REF #	PART #	DESCRIPTION	QTY	SYNONYM	PRICE
1	Consult	Cover, lift, side R	1	098-8136-11	\$120.00
2	Consult	Cover, lift, side L	1	098-8189-28	\$134.00
3	Consult	Cover, lift, rear	1	101-1505-09	\$79.00
4	Consult	Cover, lift, drive	1	101-1523-24	\$120.00
5	Consult	Cover, lift, lower	1	101-1528-13	\$69.00
6	Consult	Cover, inside, R	1	090-0763-01	\$27.00
9	Consult	Cover, front, wrapper L	1	079-1189-21	\$93.00
10	Consult	Cover, front, wrapper R	1	079-1188-28	\$88.00
11	185562	Rubber pad	2	000-3960-07	\$2.00
12	Consult	Plate A, wrapper, inside	2	078-0923-00	\$14.00
15	Consult	Cover, adjust	2	079-3499-14	\$3.00
16	Consult	L plate B, cover, lock	1	072-2356-01	\$5.00
17	Consult	Cap, harness, switch	5	091-0707-09	\$2.00
18	Consult	Cover, lift, change	1	098-3271-04	\$58.00
19	Consult	Cover, rear, upper	1	098-8188-06	\$65.00
—	41732	Screw, cover, SST, M4x6		00-0237-06	\$2.00

Discontinued Products

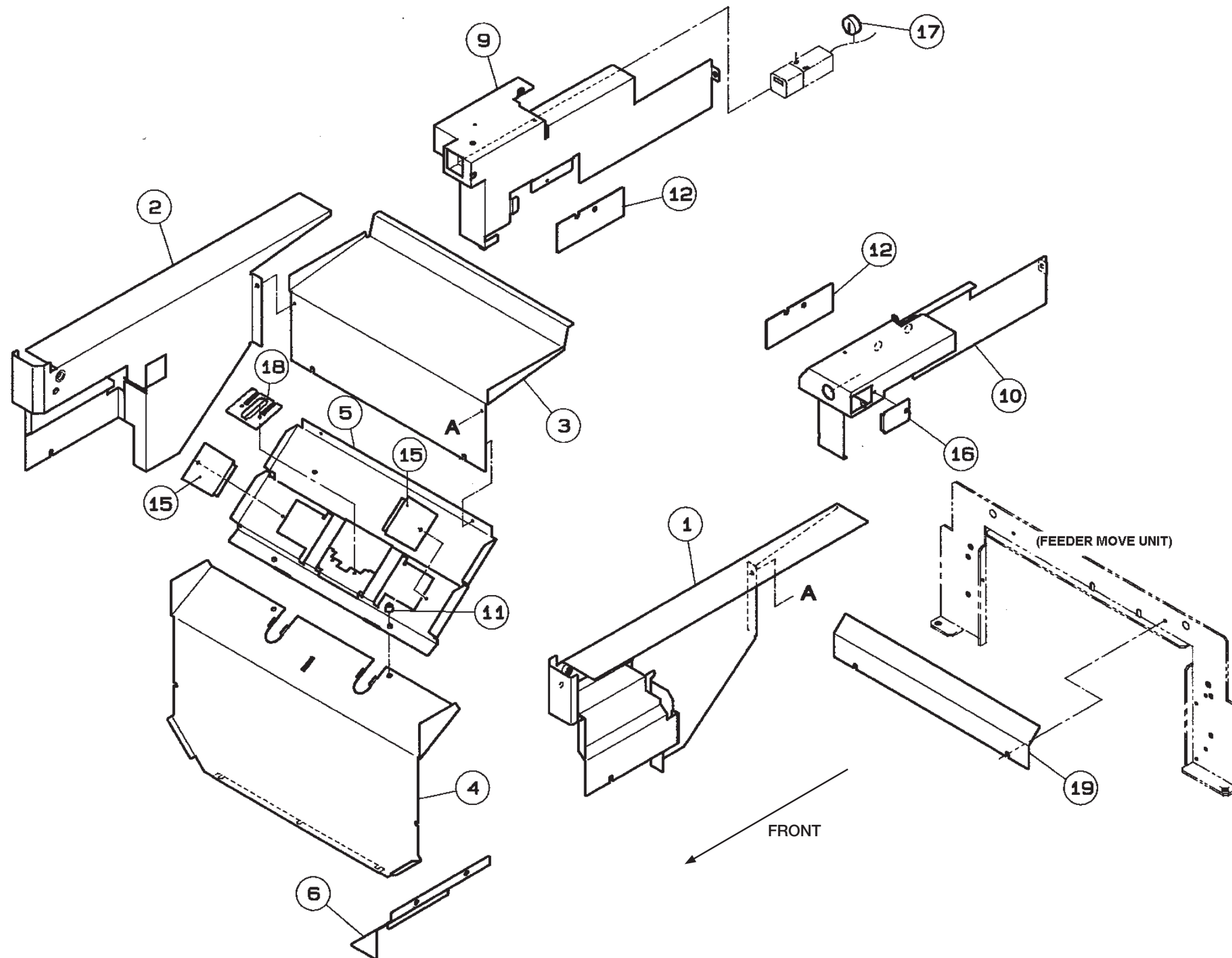
Price and availability confirmation recommended

An ISO 9001 Registered Company ©2026 Rice Lake Weighing Systems 1/26 Prices and specifications subject to change without notice. Visit ricelake.com for current prices.



Ishida WM-4000

Cover Unit - Inside



Cover Unit - Lower

Part Number/Price

REF #	PART #	DESCRIPTION	QTY	SYNONYM	PRICE
1	Consult	Cover, motor	1	076-1983-21	\$167.00
2	Consult	Cover, stock	1	076-1991-21	\$104.00
3	Consult	Door, roll set	1	078-0911-51	\$169.00
4	Consult	Door, roll set	1	078-0912-54	\$169.00
5	Consult	Lug, handle insert	4	073-5832-06	\$4.00
6	Consult	Hinge	12	079-1230-03	\$5.00
7	Consult	Door, film piece clean	1	078-0908-59	\$118.00
8	Consult	Door, film piece clean	1	078-0909-52	\$118.00
9	70125	Switch actuator (key), adjustable	2	072-2365-05	\$45.00
10	Consult	Cover, main body, side	2	078-0903-32	\$120.00
11	Consult	Cover, main body, rear side	1	078-0905-67	\$148.00
12	Consult	Cover, main body, rear side	1	078-0906-61	\$148.00
13	Consult	Cover, main body, rear	1	078-0922-06	\$104.00
14	172642	Catch, magnet	4	079-1224-01	\$15.00
16	Consult	Cover, sensor, fold	1	076-2000-14	\$16.00
17	Consult	Cover, conveyor, front	1	076-1980-20	\$82.00
18	Consult	Cover, wiring	1	076-1987-25	\$15.00
19	Consult	Cover, conveyor, lower	1	113-7214-01	\$207.00
22	Consult	Accessory, bush, open lock	1	003-3135-02	\$2.00
23	200478	Screw, cross flat, M4x5 mm SST	48	090-5041-03	\$2.00
24	Consult	Decal, set, wrapper	1	106-6699-49	\$158.00
25	Consult	Name plate, lightning mark	3	002-9793-17	\$3.00
26	Consult	Name plate, junction	4	090-0877-01	\$41.00
—	41732	Screw, cover, SST, M4x6		00-0237-06	\$2.00

Price and availability confirmation recommended

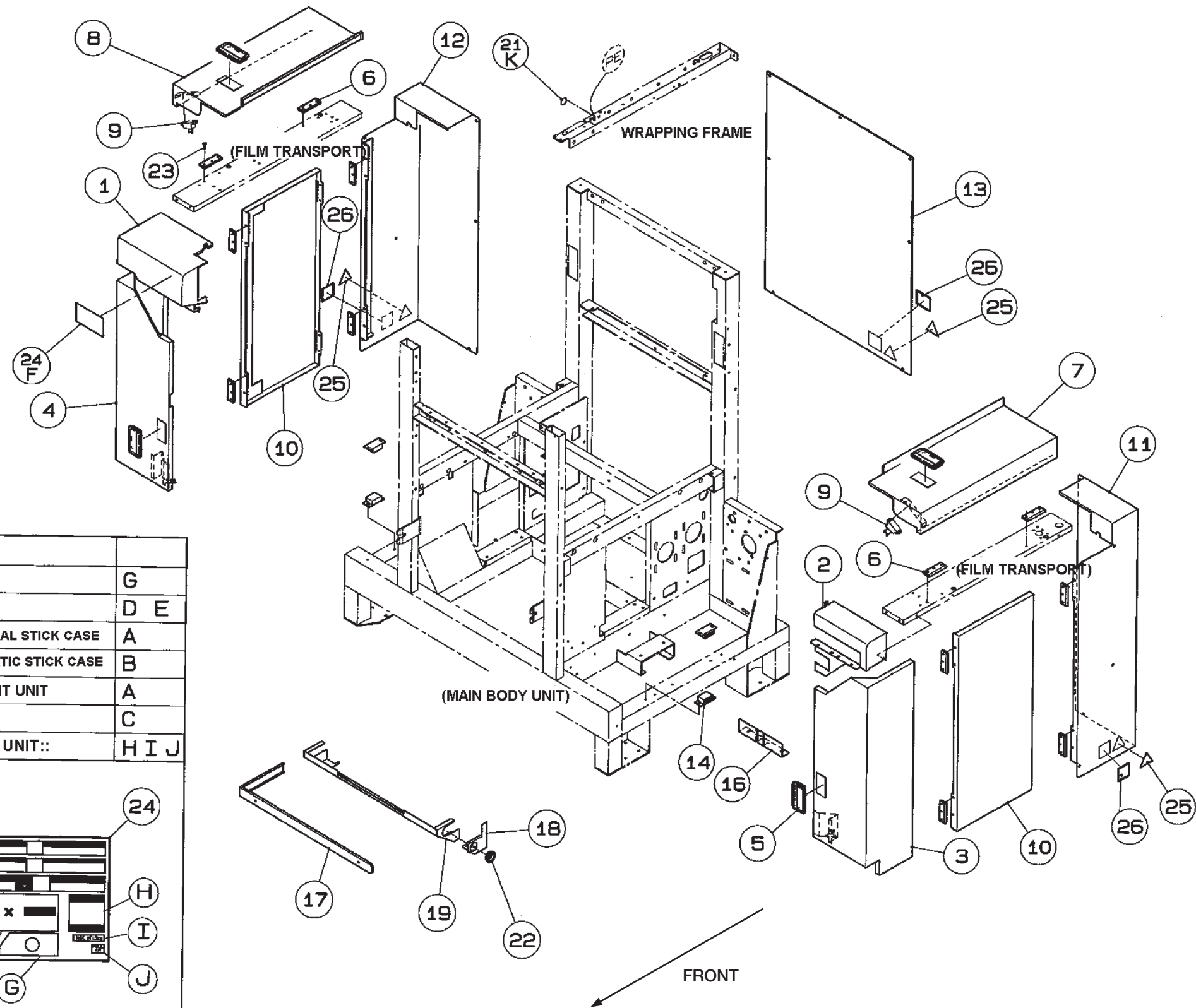
An ISO 9001 Registered Company ©2026 Rice Lake Weighing Systems 1/26 Prices and specifications subject to change without notice. Visit ricelake.com for current prices.

RICE LAKE
WEIGHING SYSTEMS

Discontinued Products

Ishida WM-4000

Cover Unit - Lower



EMZ-J	
PRINTER	G
UPPER	D E
■ MANUAL STICK CASE	A
■ AUTOMATIC STICK CASE	B
WRAPPING LEFT RIGHT UNIT (FILM TRANSPORT)	A C
STOCK CONVEYOR UNIT::	H I J

Cover Unit - Upper

Part Number/Price

REF #	PART #	DESCRIPTION	QTY	SYNONYM	PRICE
1	Consult	Cover, applicator, upper	1	108-0243-01	Consult
2	Consult	Cover, applicator, rear	1	078-0925-16	Consult
4	Consult	Door, front, lower	1	078-0913-30	Consult
5	Consult	Door, front, upper	1	078-0914-24	Consult
7	132547	Spring, key, door	1	070-1332-22	\$28.00
8	156699	Bracket, key, door	1	070-1331-47	\$14.00
9	120603	Catch PRA catch, printer door latch	2	070-5322-01	\$2.00
10	120605	Hinge, adjuster	2	079-1231-07	\$32.00
11	Consult	Cover, applicator, side, L	1	078-0939-27	Consult
12	Consult	Cover, applicator, side, R	1	078-0938-23	\$48.00
13	Consult	Cover, wiring, printer	1	079-3175-18	\$28.00
14	159594	Switch, actuator, L type	1	072-5960-02	\$8.00
16	Consult	Door, PC card	1	078-0927-04	\$25.00
17	Consult	Cover, power supply	1	078-0917-43	\$180.00
18	Consult	Cover, console, front	1	078-0926-10	\$17.00
19	Consult	Cover, connector	1	078-0928-35	\$58.00
20	188877	Catch, mini ratch	1	070-1254-07	\$8.00
21	Consult	Cover, console, R	1	079-1222-40	\$184.00
28	120607	Plate A, guide, door	2	078-0915-28	\$6.00
30	168080	Catch, magnet	1	053-8534-09	\$10.00
31	159593	Screw, cross flat	2	076-1839-09	\$2.00
32	Consult	Screw, cross pan head	14	076-1838-05	\$1.00
38	120606	Hinge adjust	2	070-5323-05	\$48.00
40	Consult	Spacer	1	091-2122-08	\$1.00
41	120608	Plate A, guide door	4	073-7042-17	\$5.00
42	Consult	Name plate, lightning mark	4	002-9793-17	\$3.00
43	Consult	Name plate, junction	4	090-0877-01	\$41.00
999	Consult	Screw, cross pan head	6	001-6802-00	\$1.00
—	41732	Screw, cover, SST, M4x6		00-0237-06	\$2.00

Price and availability confirmation recommended

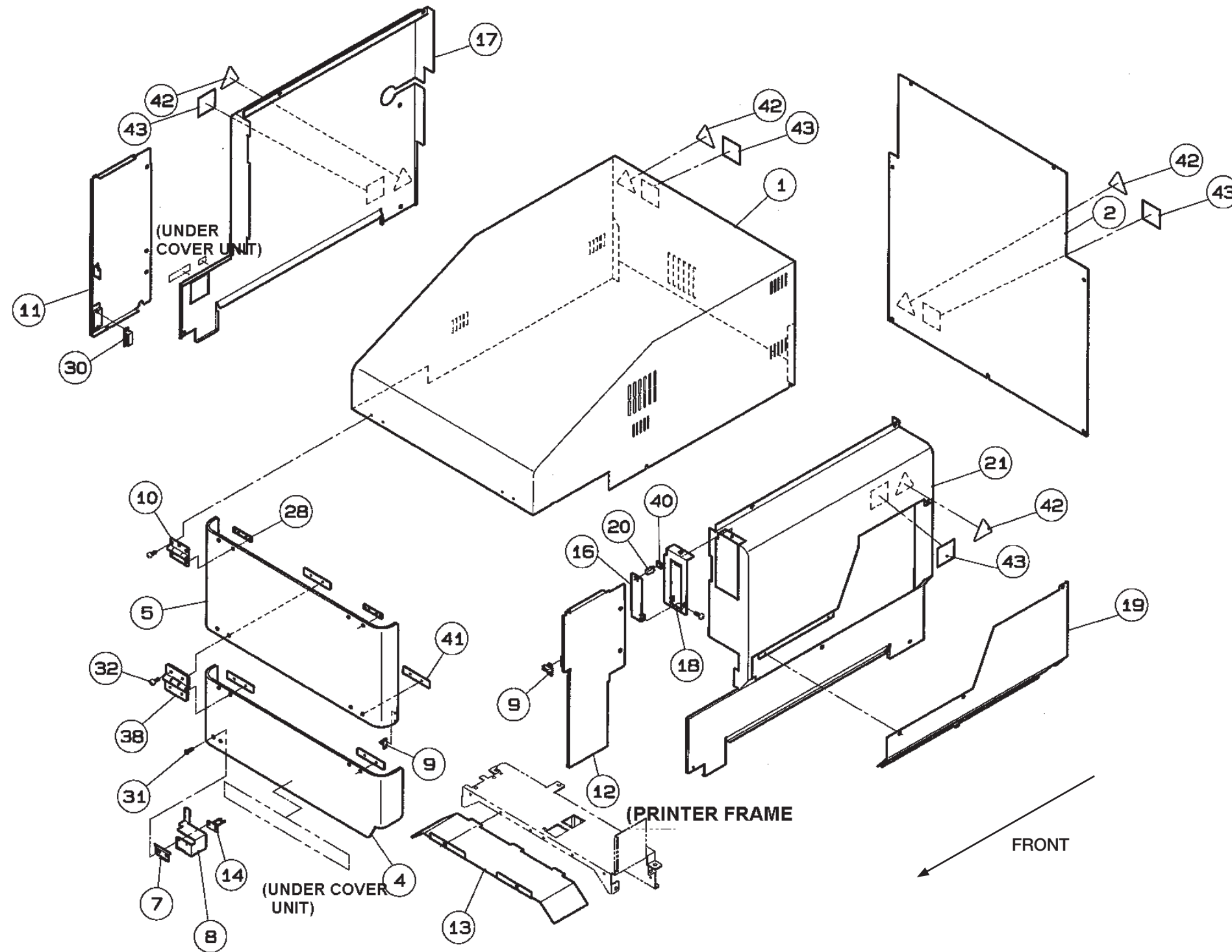
An ISO 9001 Registered Company ©2026 Rice Lake Weighing Systems 1/26 Prices and specifications subject to change without notice. Visit ricelake.com for current prices.

RICE LAKE
WEIGHING SYSTEMS

Discontinued Products

Ishida WM-4000

Cover Unit - Upper



Discharge Conveyor Unit and Camera

Part Number/Price

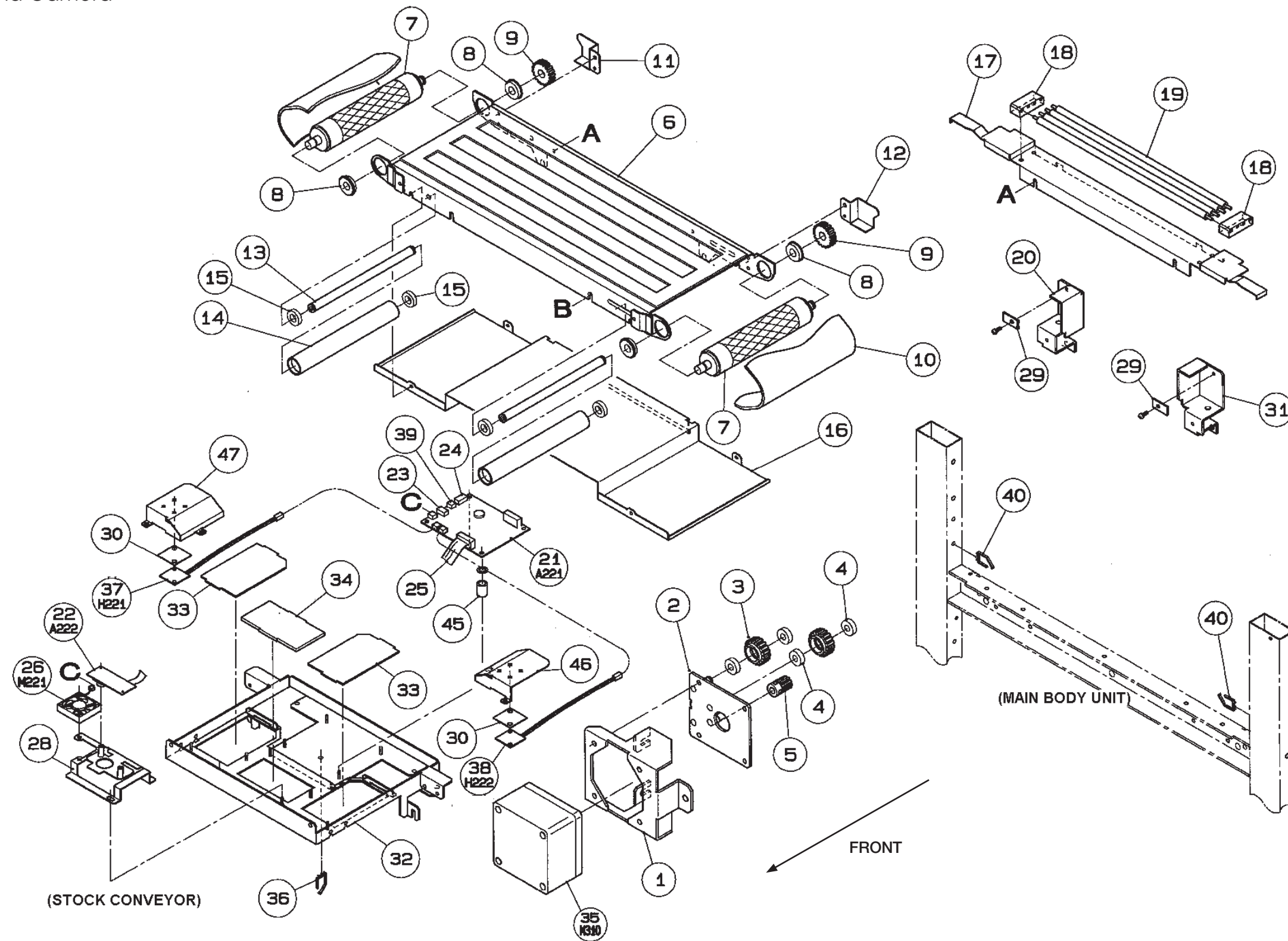
REF #	PART #	DESCRIPTION	QTY	SYNONYM	PRICE
1	Consult	Bracket, motor	1	076-1717-35	\$45.00
2	Consult	Base, gear	1	076-1716-31	\$90.00
3	Consult	Gear, flat	2	076-1715-29	\$38.00
4	Consult	Bearing, radial	4	001-2465-03	\$7.00
5	Consult	Gear, flat	1	076-1718-01	\$33.00
6	Consult	Frame, conveyor, upper	1	076-1977-55	\$277.00
7	172636	Roller, drive	2	076-1742-39	\$152.00
8	160748	Bearing, radial, deep groove	4	094-2649-05	\$8.00
9	184014	Gear, flat	2	076-1713-31	\$43.00
10	182717	Flat belt finger joint	1	076-1710-21	\$470.00
11	Consult	Cover, gear	1	076-1998-26	\$16.00
12	Consult	Cover, gear	1	076-1999-20	\$16.00
13	198243	Shaft, pulley tension	2	076-1714-16	\$16.00
14	Consult	Roller, tension	2	103-3674-16	\$77.00
15	52622	Bearing, radial, deep groove	4	003-6982-01	\$33.00
16	Consult	Cover, PWB, camera	1	076-1973-32	\$82.00
17	Consult	Cover, conveyor, rear	1	076-1971-44	\$72.00
18	Consult	Bracket, roller	2	076-1972-20	\$58.00
19	Consult	Shaft, step, camera	4	070-1225-18	\$19.00
20	Consult	Supporter, cover, discharge	1	090-0773-17	\$32.00
21	157904	PWB, P-1007A, camera controller (A221)	1	111-8352-38	\$354.50
22	157918	Camera, CMOS, color (A222)	1	086-7298-14	\$327.00
23	Consult	Harness, S2, 24V	1	112-6690-00	\$14.00
24	Consult	Harness, C2, RS485	1	113-7329-05	\$10.00
25	Consult	Harness, S2, FPC	1	086-7314-01	\$3.00
26	Consult	Fan assembly (M221)	1	111-8421-04	\$55.00
28	Consult	Bracket, camera	1	113-7213-07	\$96.00
29	Consult	Plate A, interference	2	076-1711-06	\$4.00
30	Consult	Sheet, thermo	2	086-7211-11	\$2.00
31	Consult	Supporter, cover, discharge	1	090-0772-13	\$32.00
32	Consult	Frame, conveyor, lower	1	113-7212-03	\$209.00
33	164484	Plate B, filter, LED	2	113-7208-08	\$31.00
34	164487	Plate B, filter, camera	1	113-7207-04	\$40.00
35	192474	Motor, DC brushless (M310)	1	076-9513-04	\$228.00
36	Consult	Accessory, clamp, LWS clamp	1	073-7215-05	\$1.00
37	Consult	LED assembly (H221)	1	111-8350-12	\$72.00
38	Consult	LED assembly (H222)	1	111-8351-16	\$72.00
39	Consult	Harness, S1, short	1	112-6680-11	\$6.00
40	Consult	Accessory, clamp, LWS clamp	2	073-7214-01	\$1.00
45	Consult	Collar, spacer	4	000-9537-06	\$1.00
46	Consult	Cover, reflect	1	113-7210-06	\$48.00
47	Consult	Cover, reflect	1	113-7211-00	\$48.00
999	157861	Controller, motor, DC brushless (E310)	1	070-1420-09	\$251.00

Price and availability confirmation recommended

An ISO 9001 Registered Company ©2026 Rice Lake Weighing Systems 1/26 Prices and specifications subject to change without notice. Visit ricelake.com for current prices.

Ishida WM-4000

Discharge Conveyor Unit and Camera



Discharge Pusher Unit

Part Number/Price

REF #	PART #	DESCRIPTION	QTY	SYNONYM	PRICE
1	Consult	Shaft, drive, pusher	1	069-2339-28	\$72.00
2	Consult	Bracket, motor, pusher BR	1	070-5318-15	\$38.00
3	Consult	Shaft, step, pusher	2	069-2344-27	\$11.00
4	Consult	Plate B, belt, pusher	2	090-0996-01	\$2.00
5	Consult	Block B, slide, pusher	2	076-3393-11	\$12.00
6	Consult	L plate B, sensor plate, pusher	1	072-2215-00	\$7.00
7	Consult	Bearing unit, flange	2	070-1132-06	\$23.00
8	188866	Pusher, packing	1	072-2495-33	\$93.00
9	161702	Gear, flat	1	045-3876-00	\$22.00
10	Consult	Collar, stopper	4	090-0963-09	\$2.00
11	172535	Timing pulley, S5M, AF	2	046-2326-11	\$24.00
12	185030	Pulley assembly, wrapping	2	048-3920-02	\$40.00
13	72876	Timing belt, S5M	2	045-4372-03	\$41.00
14	172558	Gear head	1	056-2722-02	\$231.00
15	185503	Motor, DC brushless with brake (M8)	1	073-7451-08	\$325.00
16	Consult	Bracket, pusher	2	073-7272-26	\$27.00
17	Consult	Tapping screw, pan head	4	076-9624-04	\$1.00
—	106949	Black grip tape, magic tape	1	000-108-0220-05	\$6.00
18	104239	Photo interrupter, transmitter, home position, white conn. (B8)	1	070-5204-14	\$12.00

Price and availability confirmation recommended

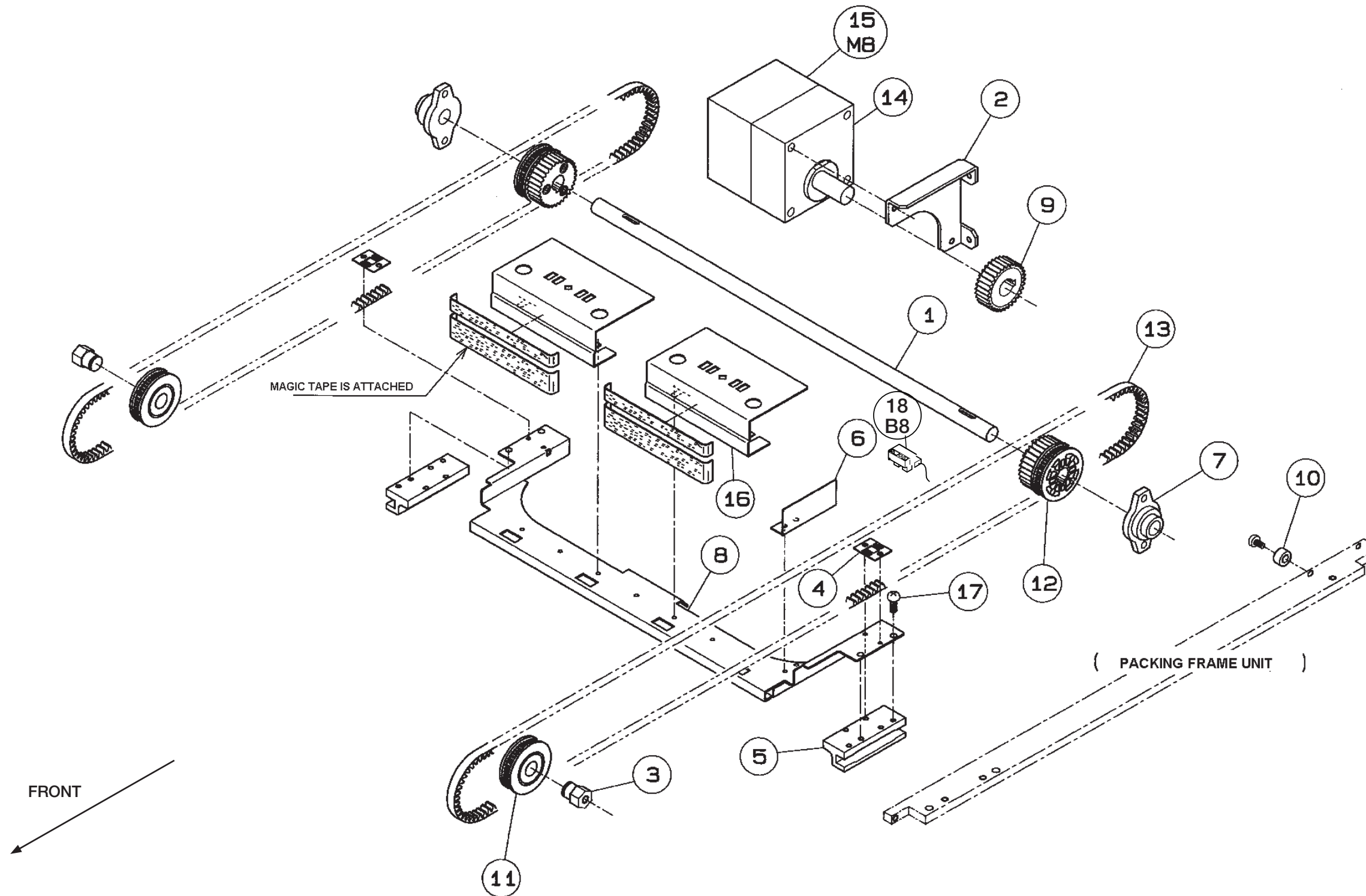
An ISO 9001 Registered Company ©2026 Rice Lake Weighing Systems 1/26 Prices and specifications subject to change without notice. Visit ricelake.com for current prices.

RICE LAKE
WEIGHING SYSTEMS

Discontinued Products

Ishida WM-4000

Discharge Pusher Unit



B8 - Discharge pusher home position

Display Unit

Part Number/Price

REF #	PART #	DESCRIPTION	QTY	SYNONYM	PRICE
1	Consult	Case, controller, front	1	091-2133-09	\$9.00
2	Consult	Case assembly, controller, rear	1	098-8224-07	\$11.00
3	Consult	Cover, connector	1	070-3082-01	\$5.00
4	Consult	Cover, volume	1	070-3083-04	\$2.00
5	Consult	Frame, controller	1	098-3213-08	\$22.00
6	Consult	Bracket, connector, operation	1	074-7213-05	\$6.00
7	Consult	Sheet	3	074-7467-04	\$3.00
9	Consult	Sheet, display	1	106-6702-01	\$99.00
10	198411	Hinge, torque	2	072-8703-02	\$33.00
14	Consult	Accessory, clamp, wire	2	022-7035-09	\$3.00
15	48233	Screw, cross pan head, M3x6 pan head SST	2	000-0069-07	\$2.00
16	Consult	Screw, cross pan head	2	002-5338-01	\$1.00
17	Consult	Screw, cross pan head	8	072-8769-08	\$1.00
18	Consult	Screw, cross pan head, BWA S2P2	6	000-0321-06	\$1.00
19	189335	Tapping screw, cross pan, P	4	072-8766-07	\$2.00
20	200514	Cross head, set screw S2P2, M4x10 mm SST	2	014-3997-02	\$2.00
21	189336	Tapping screw, cross pan head	1	072-8768-04	\$2.00
50	98408	Display, liquid crystal, TFT (H260)	1	101-1855-02	\$1,243.00
51	98402	Touch pane, analog (B280)	1	069-6657-18	\$145.00
52	Consult	Inverter (A250)	1	098-8337-04	\$65.00
53	104766	PWB, P-917B-2, operation console board (A280)	1	098-8264-24	\$391.50
54	Consult	Harness, C2, key junction	1	069-6731-20	\$12.00
55	Consult	Harness, C4, TFT	1	098-3156-27	\$65.00
56	Consult	Harness, C2, inverter	1	098-3155-14	\$10.00
58	Consult	Volume assembly, brightness (B281)	1	098-8130-01	\$18.00
59	Consult	Plate, spacer	1	098-3464-06	\$4.00
60	Consult	Plate, spacer	2	098-3465-19	\$3.00

Price and availability confirmation recommended

An ISO 9001 Registered Company ©2026 Rice Lake Weighing Systems 1/26 Prices and specifications subject to change without notice. Visit ricelake.com for current prices.

RICE LAKE
WEIGHING SYSTEMS

Discontinued Products

Ishida WM-4000

Display Unit



Fan Heater Unit, Right

Part Number/Price

REF #	PART #	DESCRIPTION	QTY	SYNONYM	PRICE
1	Consult	Bracket, heater, fan	1	076-9986-11	\$19.00
3	Consult	Chassis, fan heater	1	076-9991-20	\$72.00
4	Consult	Holder, heater	2	038-3913-07	\$24.00
5	Consult	Holder, heater, harness	1	090-0918-01	\$8.00
6	52611	Fan (M17)	1	017-5829-09	\$89.50
7	Consult	Accessory, clamp, CKN clamp	2	000-9929-02	\$5.00
8	Consult	Grommet, with diaphragm	2	021-1481-08	\$3.00
9	202548	Heater, thermostat, PTC (E17)	1	112-6673-06	\$66.00
10	202549	Thermostat assembly (E16)	1	076-9765-06	\$75.00
11	Consult	Harness, C7, fan heater	1	073-7256-44	\$25.00
13	Consult	Accessory, fastener, edge saddle	1	064-0360-05	\$2.00
14	Consult	Accessory, band, tie	2	059-8213-07	\$4.00
15	Consult	Fan filter	1	012-2136-04	\$35.00
16	Consult	Cover, roll, side	1	076-9989-12	\$35.00

Discontinued Products

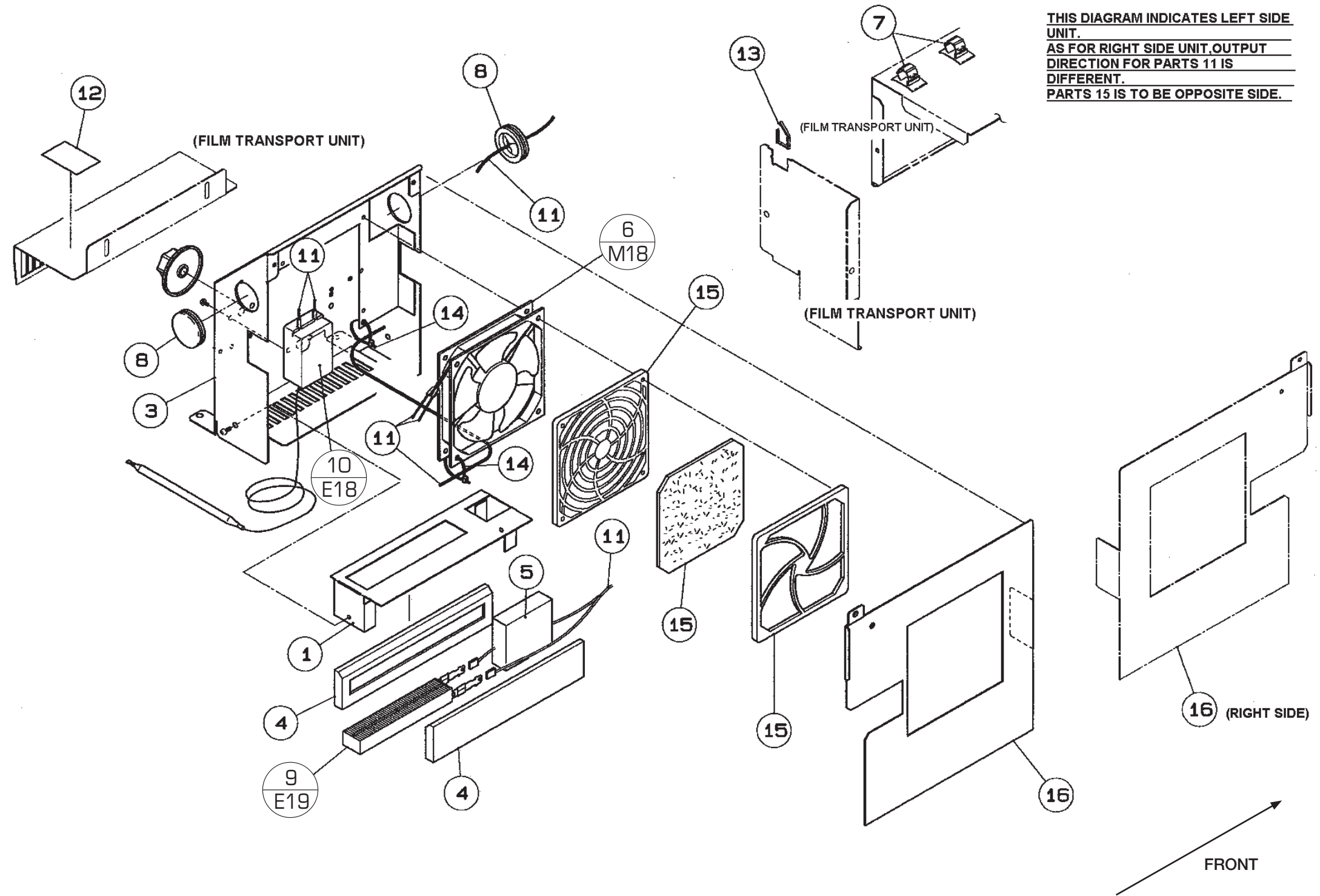
Price and availability confirmation recommended

An ISO 9001 Registered Company ©2026 Rice Lake Weighing Systems 1/26 Prices and specifications subject to change without notice. Visit ricelake.com for current prices.



Ishida WM-4000

Fan Heater Unit, Right



Fan Heater Unit, Left

Part Number/Price

REF #	PART #	DESCRIPTION	QTY	SYNONYM	PRICE
1	Consult	Bracket, heater, fan	1	076-9986-11	\$19.00
3	Consult	Chassis, heater, fan	1	076-9991-20	\$72.00
4	Consult	Holder, heater	2	038-3913-07	\$24.00
5	Consult	Holder, heater, harness	1	090-0918-01	\$8.00
6	52611	Fan (M18)	1	017-5829-09	\$89.50
7	Consult	Accessory, clamp, CKN clamp	2	000-9929-02	\$5.00
8	Consult	Grommet with diaphragm	2	021-1481-08	\$3.00
9	202548	Heater, thermostat, PTC (E19)	1	112-6673-06	\$66.00
10	202549	Thermostat assembly (E18)	1	076-9765-06	\$75.00
11	Consult	Harness, C7, fan heater	1	073-7256-44	\$25.00
13	Consult	Accessory, fastener, edge saddle	1	064-0360-05	\$2.00
14	Consult	Accessory, band, tie	2	059-8213-07	\$4.00
15	168011	Fan filter	1	012-2136-04	\$30.00
16	Consult	Cover, roll, side	1	076-9990-17	\$35.00

Price and availability confirmation recommended

An ISO 9001 Registered Company ©2026 Rice Lake Weighing Systems 1/26 Prices and specifications subject to change without notice. Visit ricelake.com for current prices.

RICE LAKE
WEIGHING SYSTEMS

Discontinued Products

Film Feeder Movement Unit

Part Number/Price

REF #	PART #	DESCRIPTION	QTY	SYNONYM	PRICE
1	Consult	Frame, feeder move, front	1	090-0765-26	\$69.00
2	Consult	Frame, feeder move, rear	1	098-8178-09	\$75.00
3	Consult	Frame, feeder move, R	1	090-0728-37	\$79.00
4	Consult	Frame, feeder move, L	1	090-0729-21	\$69.00
5	Consult	Shaft, linear	2	069-2247-01	\$58.00
6	Consult	Housing, linear, feeder	4	076-1757-07	\$25.00
7	Consult	Bearing, linear bush	8	068-5133-03	\$30.00
8	Consult	Bracket, feeder, FR	1	072-2189-24	\$25.00
9	Consult	Bracket, feeder, FL	1	072-2187-36	\$25.00
10	Consult	Distance, feeder move, front	2	076-1920-08	\$2.00
11	Consult	Holder, timing belt, front	2	076-1919-03	\$2.00
12	Consult	Bracket, feeder, RR	1	072-2188-21	\$25.00
13	Consult	Bracket, feeder, RL	1	072-2186-41	\$25.00
14	Consult	Distance, feeder move, rear	2	076-1946-04	\$2.00
15	Consult	Holder, timing belt, rear	2	076-1918-00	\$2.00
16	Consult	Timing belt, S5M,	4	070-1253-03	\$23.00
17	Consult	Bearing, radial, deep groove	4	030-6368-00	\$24.00
18	Consult	Shaft, feeder move, rear	1	069-2217-36	\$72.00
19	Consult	Shaft, feeder move, front	1	069-2216-32	\$72.00
20	172550	Timing pulley, S5M, AF	6	073-7226-06	\$27.00
21	Consult	Timing belt, S5M	2	070-1076-01	\$21.00
23	Consult	Shaft, tension, front feeder	2	090-0674-02	\$14.00
24	Consult	Shaft, tension, rear feeder	2	090-0673-09	\$20.00
25	93622	Pulley, idler	1	045-3957-08	\$17.00
26	Consult	Timing pulley, S5M, AF	5	073-7221-08	\$22.00
27	47168	Bearing, radial, deep groove	10	000-3659-05	\$23.00
28	Consult	Bearing unit, pillow	2	004-4361-09	\$28.00
29	Consult	Collar spacer	4	000-0406-09	\$1.00
30	Consult	Shaft, drive, feeder	1	090-0685-03	\$74.00
31	Consult	Timing pulley, S5M, AF	1	073-7227-00	\$27.00
32	Consult	Timing belt, S5M	1	072-2277-01	\$28.00
33	157906	Timing belt, S5M	2	072-2278-04	\$39.00
34	Consult	Timing pulley, S5M	2	079-3500-06	\$6.00
36	Consult	Flange, feeder move	4	090-0783-05	\$5.00
37	Consult	Guide, pulley	1	090-0994-04	\$7.00
38	Consult	Guide, pulley	1	090-0993-01	\$7.00
39	Consult	Shaft, pulley, tension	2	069-2189-35	\$20.00
40	88649	Pulley, tension	2	048-3915-03	\$11.00
41	Consult	Detect plate, feeder move, rear	1	090-0684-28	\$16.00
42	Consult	Detect plate, feeder move, front	1	090-0683-33	\$15.00
43	Consult	Guide, harness, upper	1	070-5216-19	\$10.00
44	Consult	Guide, harness	1	090-0687-38	\$38.00
45	Consult	Rubber pad	4	052-4630-01	\$1.00
46	Consult	Bracket, PWB, feeder move	1	090-0681-27	\$26.00
47	Consult	Bracket, PWB, feeder move	1	090-0682-21	\$26.00
48	Consult	Cover, PWB, feeder move	1	090-0766-11	\$8.00
49	Consult	Cover, PWB, feeder move	1	090-0767-14	\$8.00
50	Consult	Bracket, motor, F drive	1	072-2090-01	\$35.00

Price and availability confirmation recommended

An ISO 9001 Registered Company ©2026 Rice Lake Weighing Systems 1/26 Prices and specifications subject to change without notice. Visit ricelake.com for current prices.

RICE LAKE
WEIGHING SYSTEMS

Discontinued Products

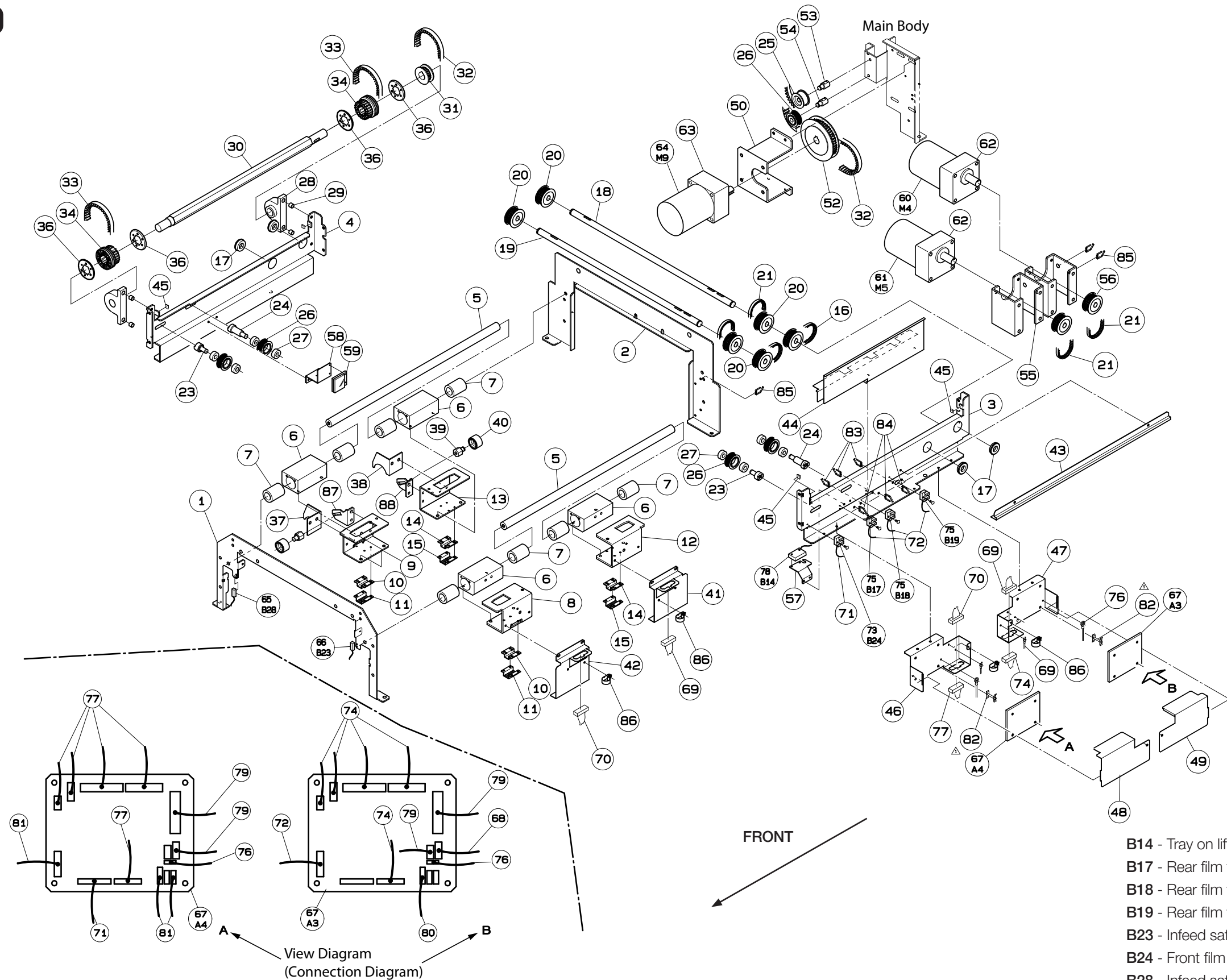
Film Feeder Movement Unit

Part Number/Price

REF #	PART #	DESCRIPTION	QTY	SYNONYM	PRICE
52	Consult	Timing pulley, S5M, AF	1	073-7228-03	\$41.00
53	Consult	Shaft, pulley, feeder drive	1	072-2085-02	\$14.00
54	Consult	Shaft pulley, feeder drive	1	072-2358-09	\$18.00
55	Consult	Bracket, motor, F move	2	090-0678-07	\$26.00
56	Consult	Timing pulley, S5M, AF	2	073-7225-02	\$22.00
57	Consult	Bracket, sensor, lift	1	090-0677-21	\$7.00
58	Consult	Bracket, reflector, lift	1	090-0686-25	\$10.00
59	172556	Reflector	1	073-7263-04	\$16.00
60	Consult	Motor, DC brushless, with brake, front feeder move (M4)	1	070-1422-06	\$282.00
61	191234	Motor, DC brushless, with brake, rear feeder move (M5)	1	070-1421-02	\$317.00
62	172557	Gear head	2	055-9082-01	\$217.00
63	Consult	Gear head	1	070-5252-04	\$134.00
64	173162	Motor, DC brushless, feeder drive (M9)	1	070-1424-03	\$208.00
65	152168	Photo, interrupter, emission, left infeed safety (B28)	1	072-2099-04	\$16.00
66	152169	Photo, interrupter, receive, right infeed safety (B23)	1	072-2100-05	\$28.00
67	157894	PWB, P-922 A-1 (A3, A4)	2	068-9900-35	\$164.00
68	Consult	Harness, C2, comm	1	069-6809-53	\$11.00
69	157919	Harness, C4, feeder move	1	071-4656-27	\$78.50
70	188870	Harness, C4, feeder move	1	072-2120-19	\$75.50
71	188871	Harness, C3, feeder move	1	071-4662-20	\$91.00
72	Consult	Harness, C4, feeder move	1	070-9688-18	\$13.00
73	104239	Photo interrupter, trans, front feeder home, white conn. (B24)	1	070-5204-14	\$12.00
74	188872	Harness, C6, feeder rear	1	069-4560-31	\$27.50
75	157856	Photo interrupter, trans, rear feeder position, black conn. (B17, B18, B19)	3	070-5205-18	\$14.00
76	Consult	Harness, C2, ground	2	072-2104-28	\$2.00
77	Consult	Harness, C6, feeder front	1	072-2234-10	\$21.00
78	157857	Sensor assembly, lift, tray detect (B14)	1	072-2231-28	\$154.00
79	188873	Harness, C5, feeder move	1	072-2238-32	\$34.00
80	Consult	Harness, C2, lift	1	072-2294-13	\$6.00
81	Consult	Harness, C19, SW right	1	076-9878-21	\$38.00
82	47027	PWB accessory, card spacer	8	000-1796-05	\$2.00
83	Consult	Accessory, clamp, LWS clamp	3	073-7212-04	\$1.00
84	Consult	Accessory, clamp, LWS clamp	3	073-7213-08	\$1.00
85	Consult	Accessory, clamp, LWS clamp	3	073-7214-01	\$1.00
86	Consult	Accessory, clamp, nylon clamp	4	027-8515-00	\$1.00
87	Consult	Bracket, tension, F move	1	090-0990-00	\$9.00
88	Consult	Bracket, tension, F move	1	090-0991-03	\$9.00

Ishida WM-4000

Film Feeder Movement Unit



Film Feeder Unit, Front

Part Number/Price

REF #	PART #	DESCRIPTION	QTY	SYNONYM	PRICE
1	Consult	Frame, feeder	1	090-0644-65	\$177.00
2	Consult	Frame, feeder, lower	1	076-1948-11	\$15.00
3	Consult	Frame, feeder, lower	1	076-1949-14	\$11.00
4	160748	Bearing, radial, deep groove	8	094-2649-05	\$8.00
5	Consult	Timing pulley, T5, AF	2	079-1277-17	\$20.00
9	Consult	Shaft, drive, lower	1	069-2190-11	\$14.00
10	Consult	Shaft assembly, drive, upper	1	091-0550-01	\$21.00
11	Consult	Shaft, follower, lower	1	069-2492-07	\$10.00
12	Consult	Shaft, follower, upper	1	069-2185-12	\$15.00
13	175307	Gear, flat	1	090-0652-01	\$5.00
—	178070	Retaining ring, ext., M10	1		Consult
14	88644	Timing pulley, S5M, A	1	045-3708-07	\$15.00
16	Consult	Roller, guide, corner	2	076-1961-01	\$6.00
18	Consult	Shaft, pulley tension	2	090-0638-17	\$13.00
19	Consult	Timing pulley, T5, A	2	073-7224-09	\$23.00
20	47165	Bearing, radial	4	000-3610-03	\$8.00
22	Consult	Rail, lower	1	077-4783-11	\$93.00
24	Consult	Holder, pulley	1	079-1280-19	\$16.00
25	Consult	Holder, pulley	1	079-1281-12	\$16.00
26	Consult	Pulley assembly, idler	2	079-3487-01	\$18.00
27	Consult	Shaft, pulley, idler	2	073-7135-01	\$12.00
28	Consult	Hold assembly, RFLR	1	079-8648-01	\$77.00
29	Consult	Hold assembly LFRR	1	079-8649-05	\$77.00
30	Consult	Frame, hold, upper	2	079-1261-09	\$4.00
34	Consult	Pin, hold	2	069-2191-24	\$7.00
35	Consult	Link, solenoid, hold	2	076-1921-01	\$5.00
36	Consult	Spring, coil, compressive	2	076-9578-06	\$2.00
37	74452	Hanger, spring	4	003-6479-04	\$5.00
43	157851	Flat belt, endless, short green pincher	2	073-7254-01	\$25.00
44	157883	Flat belt, endless, long green horizontal	1	073-7253-07	\$51.00
45	Consult	Shaft, drive, flat	2	069-2201-28	\$15.00
46	Consult	Pulley, drive, round	2	079-1252-14	\$17.00
47	Consult	Bearing, radial, deep groove	8	094-2650-00	\$4.00
48	Consult	Gear, flat	1	076-1779-09	\$18.00
51	Consult	Lever, clamp, fulcrum	1	079-1269-17	\$5.00
52	Consult	Roller clamp	3	076-1960-07	\$2.00
53	Consult	Spring pin	5	049-0673-09	\$1.00
54	Consult	Link, solenoid, clamp	1	076-1945-01	\$2.00
55	78083	Bush	10	037-4818-02	\$4.00
56	Consult	Collar, spacer	9	072-2137-02	\$2.00
57	Consult	Bracelet, shaft, fulcrum	1	079-1285-26	\$18.00
58	Consult	Shaft, clamp, fulcrum	1	090-0639-01	\$10.00
60	Consult	Lever, clamp, center	1	079-1272-19	\$9.00
61	Consult	Rail, center	1	111-8271-02	\$12.00
63	166949	Sensor lever assembly film detect, right	1	111-8269-04	\$45.00
64	166950	Sensor lever assembly film detect, left	1	111-8270-09	\$45.00
—	48237	Washer, flat, SST, M4, 18-8	2	00-0142-06	\$2.00
—	42854	Spring washer, SST, M4, 18-8	2	00-0172-08	\$2.00
—	48236	Nut, SST, M4, 18-8	2	00-0106-01	\$2.00
69	Consult	Frame, side clamp, lower	2	079-1283-29	\$17.00
70	Consult	Frame, side clamp, lower	1	079-1284-22	\$17.00
71	Consult	Lever, sub clamp, fulcrum	1	079-1270-11	\$4.00
72	Consult	Link, solenoid, side clamp	1	076-1944-07	\$2.00
73	Consult	Block B, side clamp	1	077-4781-14	\$12.00

Price and availability confirmation recommended

An ISO 9001 Registered Company ©2026 Rice Lake Weighing Systems 1/26 Prices and specifications subject to change without notice. Visit ricelake.com for current prices.

RICE LAKE
WEIGHING SYSTEMS

Discontinued Products

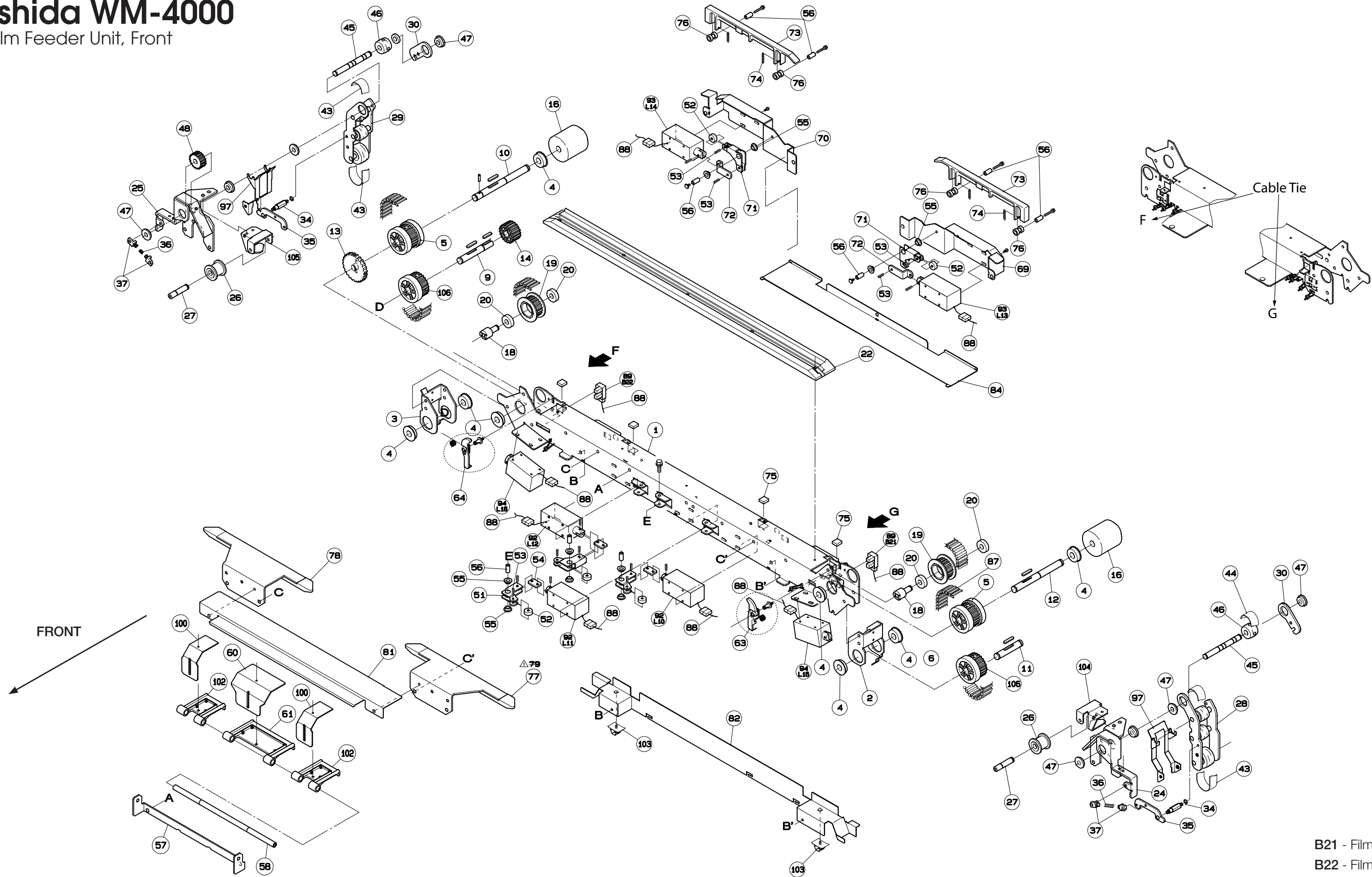
Film Feeder Unit, Front

Part Number/Price

REF #	PART #	DESCRIPTION	QTY	SYNONYM	PRICE
74	Consult	Spring, coil, compressive	4	072-2389-13	\$5.00
75	Consult	Rubber pad	4	052-4630-01	\$1.00
76	Consult	Guide, side, clamp	4	079-1275-01	\$2.00
77	157912	Side clamp upper assembly FR-RL	1	091-0581-07	\$60.00
78	157913	Side clamp upper assembly FL-RR	1	091-0582-01	\$60.00
81	Consult	Cover, feeder, upper	1	090-0636-29	\$21.00
82	Consult	Cover, harness	1	090-0641-19	\$48.00
84	Consult	Cover, feeder, lower	1	090-0637-04	\$14.00
87	157869	Timing belt, DT5, P1.5, white film feed	1	041-4278-07	\$245.50
88	Consult	Harness, C10, feeder	1	079-3451-25	\$34.00
89	104239	Photo interrupter, transm, film detect, white conn. (B21, B22)	2	070-5204-14	\$12.00
92	125701	Solenoid assembly, center clamps (L10, L11, L12)	3	073-7078-01	\$31.00
93	167445	Solenoid assembly, aux clamps (L13, L14)	2	073-7079-05	\$22.00
94	160032	Solenoid assembly, film clamp, pincher (L15, L16)	2	091-0618-01	\$27.00
97	174311	Guide, film, hold	2	079-1262-11	\$13.00
100	Consult	Lever, clamp, side	2	079-1271-15	\$4.00
102	Consult	Rail, upper, side	2	111-8250-04	\$11.00
103	Consult	Accessory, clamp, CKS clamp	2	053-7489-01	\$2.00
104	Consult	Bracket, shaft, hold	1	079-1053-01	\$11.00
105	Consult	Bracket, shaft, hold	1	079-1054-04	\$11.00
106	Consult	Timing pulley, T5, AF	2	079-1278-11	\$20.00

Ishida WM-4000

Film Feeder Unit, Front



B21 - Film detect, front right
 B22 - Film detect, front left

Film Feeder Unit, Rear

Part Number/Price

REF #	PART #	DESCRIPTION	QTY	SYNONYM	PRICE
1	Consult	Frame, feeder	1	090-0645-69	\$177.00
2	Consult	Frame, feeder	1	076-1948-11	\$15.00
3	Consult	Frame, feeder, lower	1	076-1949-14	\$11.00
4	160748	Bearing, radial, deep groove	8	094-2649-05	\$8.00
5	Consult	Timing pulley T5, AF	2	079-1277-17	\$20.00
9	Consult	Shaft drive, lower	1	069-2190-11	\$14.00
10	Consult	Shaft assembly, drive, upper	1	091-0550-01	\$21.00
11	Consult	Shaft, follower, lower	1	069-2492-07	\$10.00
12	Consult	Shaft, follower, upper	1	069-2185-12	\$15.00
13	175307	Gear, flat	1	090-0652-01	\$5.00
—	178070	Retaining ring, ext., M10	1		Consult
14	88644	Timing pulley, S5M, A	1	045-3708-07	\$15.00
16	Consult	Roller, guide, corner	2	076-1961-01	\$6.00
18	Consult	Shaft, pulley, tension	1	090-0638-17	\$13.00
19	Consult	Timing pulley, T5, A	1	073-7224-09	\$23.00
20	47165	Bearing, radial	2	000-3610-03	\$8.00
22	Consult	Rail, lower	1	077-4783-11	\$93.00
24	Consult	Holder, pulley	1	079-1280-19	\$16.00
25	Consult	Holder, pulley	1	079-1281-12	\$16.00
26	Consult	Pulley assembly, idler	2	079-3487-01	\$18.00
27	Consult	Shaft pulley, idler	2	073-7135-01	\$12.00
28	Consult	Hold assembly, RFLR	1	079-8648-01	\$77.00
29	Consult	Hold assembly LFRR	1	079-8649-05	\$77.00
30	Consult	Frame, hold, upper	2	079-1261-09	\$4.00
34	Consult	Pin, hold	2	069-2191-24	\$7.00
35	Consult	Link, solenoid, hold	1	076-1921-01	\$5.00
36	Consult	Spring, coil, compressive	2	076-9578-06	\$2.00
37	74452	Hanger, spring	4	003-6479-04	\$5.00
43	157851	Flat belt, endless, short green pincher	2	073-7254-01	\$25.00
44	157883	Flat belt, endless, long green horizontal	1	073-7253-07	\$51.00
45	Consult	Shaft drive, flat	2	069-2201-28	\$15.00
46	Consult	Pulley, drive, round	2	079-1252-14	\$17.00
47	Consult	Bearing, radial, deep groove	8	094-2650-00	\$4.00
48	Consult	Gear, flat	1	076-1779-09	\$18.00
49	Consult	Detect plate, rear feeder	1	091-0553-02	\$6.00
50	Consult	Detect plate, rear feeder	1	091-0554-06	\$6.00
51	Consult	Lever, clamp, fulcrum	3	079-1269-17	\$5.00
52	Consult	Roller clamp	5	076-1960-07	\$2.00
53	Consult	Spring pin	2	049-0673-09	\$1.00
54	Consult	Link, solenoid, clamp	3	076-1945-01	\$2.00
55	78083	Bush	10	037-4818-02	\$4.00
56	Consult	Collar, spacer	9	072-2137-02	\$2.00
57	Consult	Bracket, shaft, fulcrum	1	079-1285-26	\$18.00
58	Consult	Shaft, clamp, fulcrum	1	090-0639-01	\$10.00
60	Consult	Lever, clamp, center	1	079-1272-19	\$9.00
61	Consult	Rail, center	1	111-8271-02	\$12.00
63	166949	Sensor lever assembly film detect, left	1	111-8269-04	\$45.00
64	166950	Sensor lever assembly film detect, right	1	111-8270-09	\$45.00
—	48237	Washer, flat, SST, M4, 18-8	2	00-0142-06	\$2.00
—	42854	Spring washer, SST, M4, 18-8	2	00-0172-08	\$2.00
—	48236	Nut, SST, M4, 18-8	2	00-0106-01	\$2.00
69	Consult	Frame, side clamp, lower	1	079-1283-29	\$17.00
70	Consult	Frame, side clamp, lower	1	079-1284-22	\$17.00
71	Consult	Lever, sub clamp, fulcrum	2	079-1270-11	\$4.00

Price and availability confirmation recommended

An ISO 9001 Registered Company ©2026 Rice Lake Weighing Systems 1/26 Prices and specifications subject to change without notice. Visit ricelake.com for current prices.

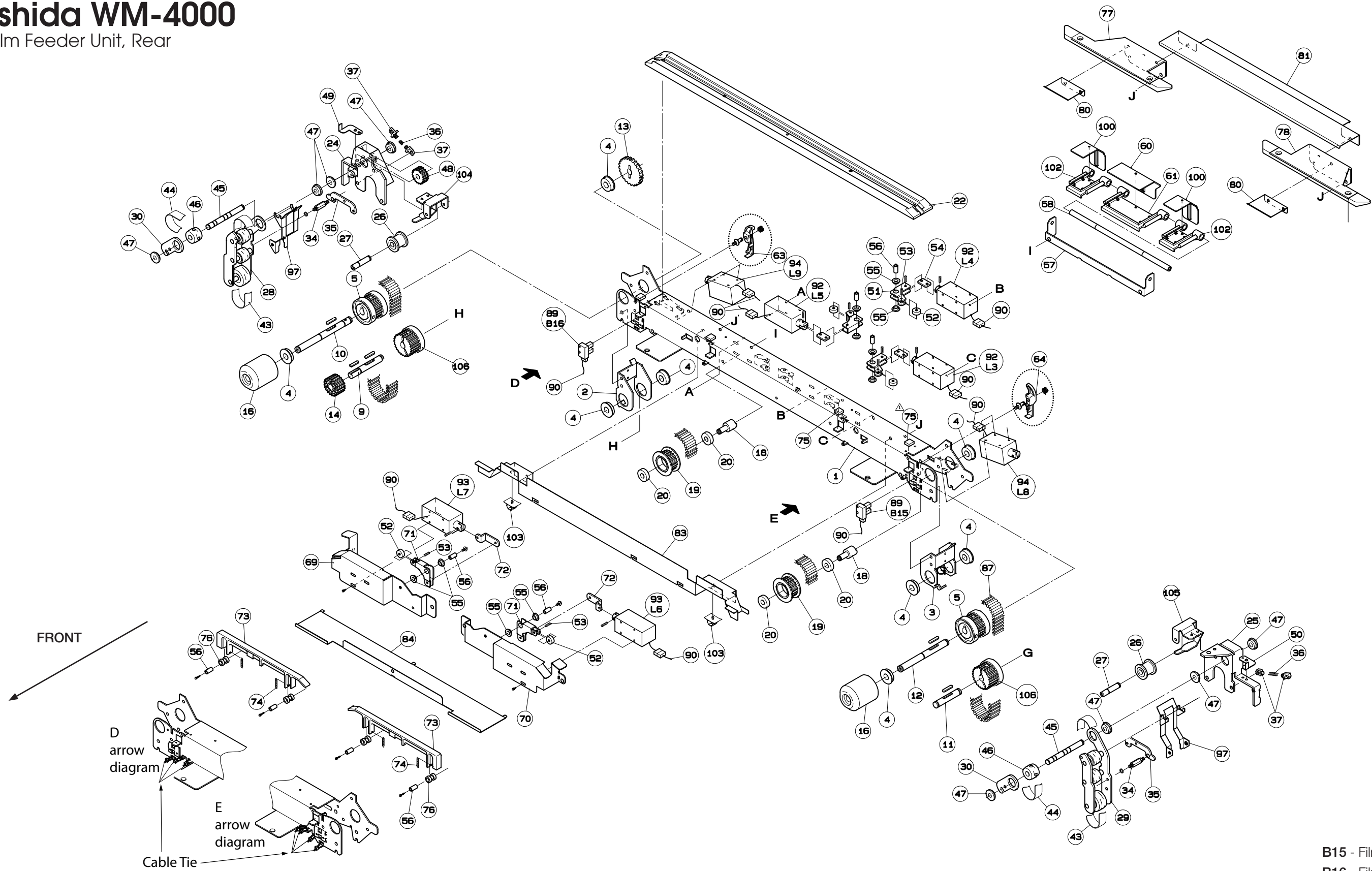
Film Feeder Unit, Rear

Part Number/Price

REF #	PART #	DESCRIPTION	QTY	SYNONYM	PRICE
72	Consult	Link, solenoid, side clamp	2	076-1944-07	\$2.00
73	Consult	Block B, side cramp	2	077-4781-14	\$12.00
74	Consult	Spring, coil, compressive	4	072-2389-13	\$5.00
75	Consult	Rubber pad	4	052-4630-01	\$1.00
76	Consult	Guide, side, clamp	4	079-1275-01	\$2.00
77	157912	Side clamp upper assembly FR-RL	1	091-0581-07	\$60.00
78	157913	Side clamp upper assembly FL-RR	1	091-0582-01	\$60.00
80	Consult	Guide, belt	2	072-2123-47	\$5.00
81	Consult	Cover, feeder, upper	1	090-0636-29	\$21.00
83	Consult	Cover, harness	1	090-0642-12	\$48.00
84	Consult	Cover, feeder, lower	1	090-0637-04	\$14.00
87	157869	Timing belt, DT5, P1.5, white film feed	1	041-4278-07	\$245.50
89	104239	Photo interrupter, transmitter, film detect, white conn. (B15, B16)	2	070-5204-14	\$12.00
90	Consult	Harness, C10, feeder	1	079-3451-25	\$34.00
92	125701	Solenoid assembly, center clamps (L3, L4, L5)	3	073-7078-01	\$31.00
93	167445	Solenoid assembly clamp, aux clamps (L6, L7)	2	073-7079-05	\$22.00
94	160032	Solenoid assembly clamp, film clamp, pincher (L8, L9)	2	091-0618-01	\$27.00
97	174311	Guide, film, hold	2	079-1262-11	\$13.00
100	Consult	Lever, clamp, side	2	079-1271-15	\$4.00
102	Consult	Rail, upper, side	2	111-8250-04	\$11.00
103	Consult	Accessory, clamp, CKS clamp	2	053-7489-01	\$2.00
104	Consult	Bracket, shaft, hold	1	079-1053-01	\$11.00
105	Consult	Bracket, shaft, hold	1	079-1054-04	\$11.00
106	Consult	Timing pulley, T5, AF	2	079-1278-11	\$20.00

Ishida WM-4000

Film Feeder Unit, Rear



Film Roll Hold Unit

Part Number/Price

REF #	PART #	DESCRIPTION	QTY	SYNONYM	PRICE
1	Consult	Shaft, holder, roll	1	070-5013-29	\$6.00
3	Consult	Holder, roll, film	1	073-7229-07	\$38.00
4	Consult	Stopper, film, roll	1	070-5273-67	\$7.00
5	Consult	Bracket, holder, roll	1	091-0549-16	\$7.00
6	Consult	Guide, roll, film	3	070-5270-48	\$8.00
7	189283	Spring, roll	3	070-5268-31	\$5.00
8	189284	Spring, coil, compressive	1	053-8768-03	\$2.00
22	197051	Spring, coil, compressive	1	070-5032-39	\$23.00
23	Consult	Shaft, roll, film	1	070-5041-88	\$336.00
35	157854	Slide, roll assembly	1	113-7266-04	\$137.50
36	Consult	Bolt, socket head hex, M4x10	2		Consult
—		Washer, split, M4	2		Consult

Discontinued Products

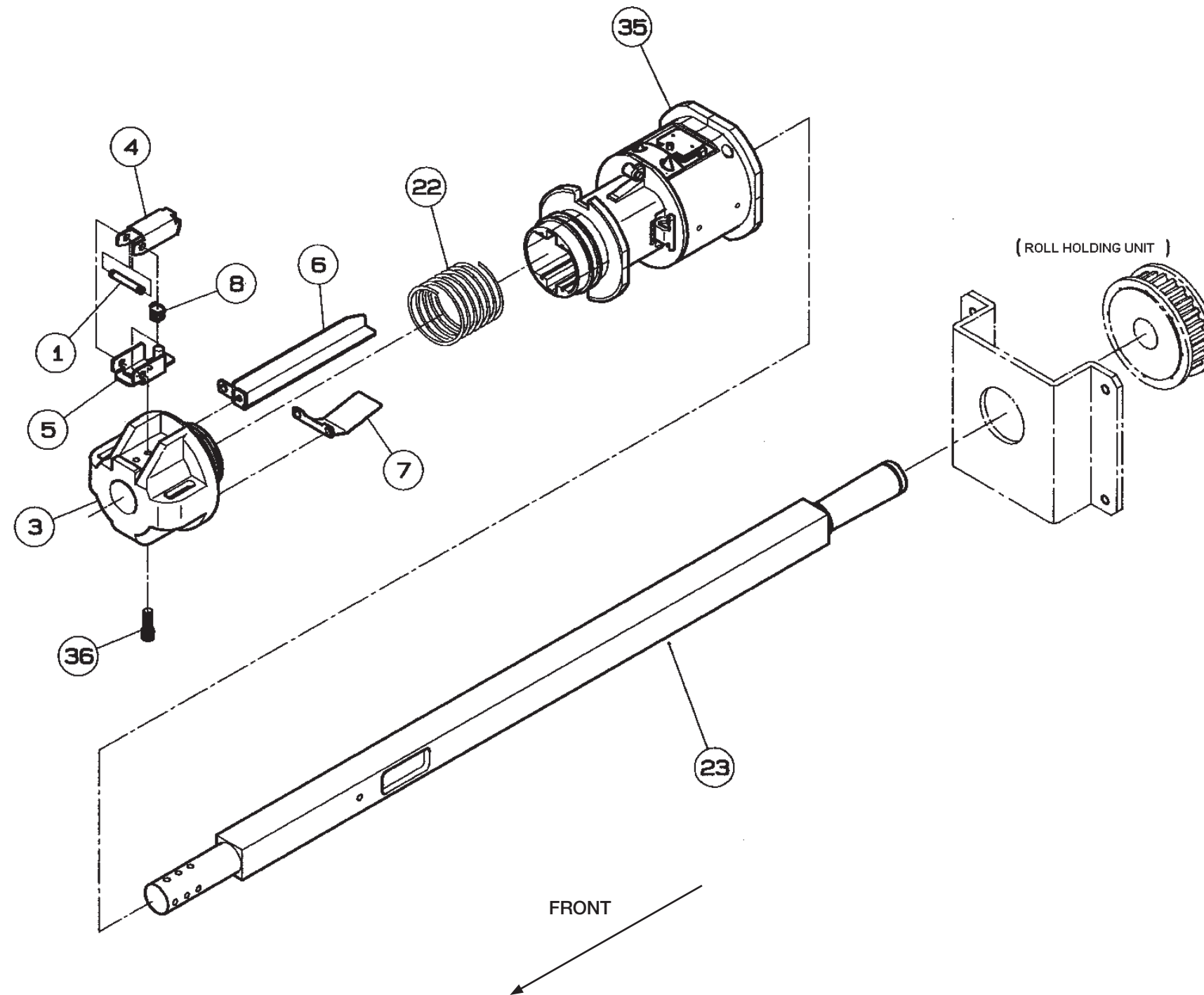
Price and availability confirmation recommended

An ISO 9001 Registered Company ©2026 Rice Lake Weighing Systems 1/26 Prices and specifications subject to change without notice. Visit ricelake.com for current prices.



Ishida WM-4000

Film Roll Hold Unit



Film Transport Unit, Left

Part Number/Price

REF #	PART #	DESCRIPTION	QTY	SYNONYM	PRICE
1	Consult	Bracket, linear shaft, rear	1	090-0665-09	\$32.00
2	Consult	Bracket, linear, bush, front	1	090-0663-01	\$32.00
3	Consult	Shaft, linear, transfer	2	069-2270-16	\$24.00
4	172568	Bearing, linear bush	4	070-1070-09	\$23.00
5	Consult	Housing, bush, slide	2	073-7230-11	\$21.00
6	Consult	Stay, slide	1	091-0544-27	\$88.00
7	Consult	Adapter, rod	1	069-2289-34	\$20.00
8	Consult	Holder, film slide	1	090-0732-14	\$200.00
9	Consult	Guide, film, insertion	1	072-2225-43	\$150.00
10	Consult	Holder, film, door	1	090-0727-51	\$145.00
11	Consult	Guide, film, inserted door	1	072-2224-12	\$74.00
12	Consult	Name plate, operation	1	106-6693-01	\$30.00
13	157852	Guide, film, loading	1	090-0621-14	\$8.00
15	Consult	Shaft, clutch, roller	1	069-2281-35	\$58.00
16	Consult	Clutch, one way	4	014-0221-05	\$19.00
17	84792	Bearing, radial, deep groove	4	051-4933-02	\$15.00
18	157887	Roller, clutch, slider	2	073-7467-07	\$15.00
19	Consult	Detect plate, insertion, top and B	1	091-0501-09	\$2.00
20	Consult	Spring, coil, compressive	1	070-5176-04	\$79.00
22	Consult	Bush	2	063-5128-08	\$2.00
23	Consult	Roller insertion	1	069-2267-14	\$27.00
24	Consult	Cover, roll	1	090-0622-09	\$7.00
26	157853	Catch, push latch	1	070-1072-06	\$8.00
28	173786	Hinge	2	013-7463-08	\$13.00
29	Consult	Bracket, support	1	090-0999-11	\$7.00
30	Consult	Bracket, support	1	090-1000-15	\$7.00
31	172968	Support assembly cutter	1	090-0780-13	\$236.00
32	Consult	Pin, fulcrum, cutter	2	072-2385-19	\$9.00
34	78083	Bush	2	037-4818-02	\$4.00
35	Consult	Lever assembly, cutter, front	1	090-0509-01	\$34.00
36	Consult	Lever assembly, cutter, rear	1	090-0512-02	\$34.00
39	185863	Spring, coil, compressive	2	076-3329-03	\$3.00
40	74452	Hanger, spring	4	003-6479-04	\$5.00
41	Consult	Bracket, cutter	1	076-9850-19	\$38.00
42	157905	Cutter, sawtooth	1	076-9952-15	\$194.00
43	174449	Block B, cutter, hold	4	076-9824-21	\$5.00
44	188867	Pin assembly, cutter, hold	4	000-116-1899-01	\$8.00
45	188868	Pin assembly, cutter, upper	4	000-116-1898-08	\$8.00
47	174135	Spring, plate, cutter	2	091-0512-28	\$9.00
49	Consult	Rubber pad	2	052-4630-01	\$1.00
50	Consult	Bracket, sensor	1	090-0737-31	\$24.00
52	Consult	Bracket, sensor, insertion	1	091-0527-05	\$9.00
53	Consult	Guide, sensor	1	091-0557-07	\$35.00
54	Consult	Name plate, scale, film	1	073-7112-05	\$6.00
55	Consult	Bracket, sensor	1	091-0551-05	\$24.00
56	Consult	Holder, sensor, insertion	1	073-7155-14	\$11.00

Discontinued Products

Price and availability confirmation recommended

An ISO 9001 Registered Company ©2026 Rice Lake Weighing Systems 1/26 Prices and specifications subject to change without notice. Visit ricelake.com for current prices.



Film Transport Unit, Left

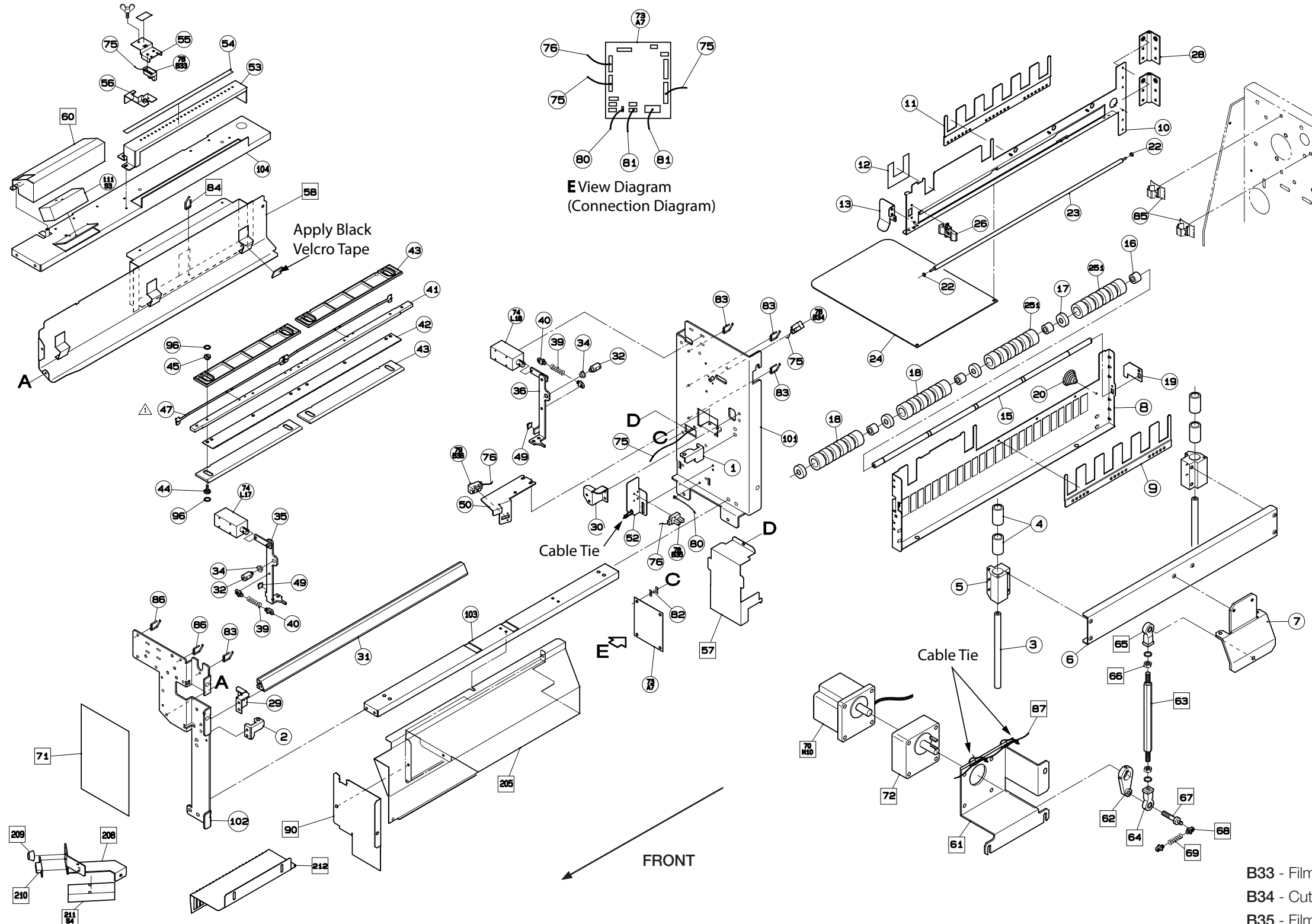
Part Number/Price

REF #	PART #	DESCRIPTION	QTY	SYNONYM	PRICE
57	Consult	Cover, PWB, transport	1	090-0733-27	\$19.00
58	Consult	Cover, loading	1	090-0751-06	\$85.00
60	Consult	Cover, film transport, upper	1	091-2104-10	\$23.00
61	Consult	Bracket, motor, insert	1	079-8928-22	\$24.00
62	Consult	Lever, drive, hand-over	1	076-1777-01	\$16.00
63	Consult	Threaded rod, turnbuckle, MM	1	069-2284-36	\$22.00
64	Consult	Rod end, type I, F	1	000-3739-00	\$35.00
65	Consult	Rod end, type I, F	1	016-8825-08	\$35.00
66	Consult	Hex nut, T1, left-handed thread	1	000-0111-01	\$2.00
67	Consult	Pin, hanger, spring	1	070-1327-32	\$12.00
68	Consult	Hanger, spring	2	011-5180-11	\$2.00
69	Consult	Spring, coil, compressive	1	070-1328-09	\$4.00
70	162943	Motor, DC brushless with brake (M10)	1	073-7450-04	\$315.50
71	Consult	Name plate, explanation	1	106-6697-05	\$28.00
72	Consult	Gear head	1	055-9082-01	\$216.00
73	157894	PWB, P-922A-1 (A7)	1	068-9900-35	\$164.00
74	174136	Solenoid assembly, cutter (L17, L18)	2	073-7081-03	\$32.00
75	Consult	Harness, C6, film transfer L	1	072-2297-14	\$21.00
76	Consult	Harness, C3, film insertion L	1	090-0786-15	\$8.00
78	104239	Photo interrupter, transmitter, white conn. (B33, B34, B35)	3	070-5204-14	\$12.00
79	157856	Photo interrupter, transmitter, insertion plate - open, black conn. (B36)	1	070-5205-18	\$14.00
80	Consult	Harness, C2, ground	1	072-2104-28	\$2.00
81	Consult	Harness, C4, film transfer L	1	072-2252-26	\$34.00
82	47027	PWB accessory, card spacer	4	000-1796-05	\$2.00
83	Consult	Accessory, clamp, LWS clamp	4	073-7213-08	\$1.00
84	Consult	Accessory, clamp, LWS clamp	1	073-7214-01	\$1.00
85	Consult	Accessory, clamp, CKS clamp	2	052-4732-08	\$3.00
86	Consult	Accessory, clamp, LWS clamp	2	073-7212-04	\$1.00
87	Consult	Harness, C3, fan heater L	1	073-7237-16	\$11.00
90	Consult	Cover, roll, front	1	090-0759-14	\$18.00
101	Consult	Frame, transport, rear	1	090-0744-28	\$58.00
102	Consult	Frame, transport, front	1	090-0741-36	\$75.00
103	Consult	Bracket, linear shaft, lower	1	090-0624-15	\$27.00
104	Consult	Stay change	1	079-8939-51	\$69.00
111	157866	Switch, safety, film removal door (S3)	1	111-8428-00	\$92.00
205	Consult	Cover, roll	1	090-0762-43	\$77.00
208	Consult	Bracket, switch	1	091-0520-19	\$19.00
209	Consult	Rubber pad	1	000-3965-05	\$2.00
210	Consult	Catch, magnet	1	006-3205-01	\$7.00
211	157866	Switch, safety, side door (S4)	1	111-8428-00	\$92.00
212	Consult	Cover, fan heater	1	073-7427-17	\$12.00
251	157886	Roller, clutch, slider	2	098-3477-13	\$32.00

Ishida WM-4000

Film Transport Unit, Left

Seal: Set: Wrapper
Lower Cover Unit



- B33 - Film width detection
- B34 - Cutter home position
- B35 - Film insertion plate home position
- B36 - Film insertion plate open/closed

Film Transport Unit, Right

Part Number/Price

REF #	PART #	DESCRIPTION	QTY	SYNONYM	PRICE
1	Consult	Frame, transfer, rear	1	090-0743-24	\$58.00
2	Consult	Frame, transfer, front	1	090-0740-32	\$79.00
3	Consult	Bracket, linear shaft, lower	1	090-0624-15	\$27.00
4	Consult	Bracket, linear shaft, rear	1	090-0666-02	\$32.00
5	Consult	Bracket, linear bush, front	1	090-0662-08	\$32.00
6	Consult	Shaft, linear, transfer	2	069-2270-16	\$24.00
7	172568	Bearing, linear bush	4	070-1070-09	\$23.00
8	Consult	Housing, bush, slide	2	073-7230-11	\$21.00
9	Consult	Stay, slide	1	091-0544-27	\$88.00
10	Consult	Adapter, rod	1	069-2289-34	\$20.00
11	Consult	Holder, film, slide	1	090-0731-11	\$200.00
12	Consult	Guide, film insertion	1	072-2225-43	\$150.00
13	157885	Holder, film, door	1	090-0726-58	\$158.50
14	Consult	Guide, film, inserted door	1	072-2224-12	\$74.00
15	Consult	Name plate, operation	1	106-6693-01	\$30.00
16	Consult	Guide, film loading	1	090-0620-11	\$14.00
18	Consult	Shaft, clutch roller	1	069-2281-35	\$58.00
19	Consult	Clutch, one way	4	014-0221-05	\$19.00
20	84792	Bearing, radial, deep groove	4	051-4933-02	\$15.00
21	157887	Roller, clutch slider	2	073-7467-07	\$15.00
22	Consult	Detect plate, insertion, top and B	1	091-0501-09	\$2.00
23	Consult	Spring, coil, compressive	1	070-5176-04	\$79.00
25	Consult	Bush	2	063-5128-08	\$2.00
26	Consult	Roller insertion	1	069-2267-14	\$27.00
27	Consult	Cover, roll	1	090-0622-09	\$7.00
29	157853	Catch, push latch	1	070-1072-06	\$8.00
31	173786	Hinge	2	013-7463-08	\$13.00
32	Consult	Bracket, support	1	090-0999-11	\$7.00
33	Consult	Bracket, support	1	090-1000-15	\$7.00
34	172968	Support assembly cutter	1	090-0780-13	\$236.00
35	Consult	Pin, fulcrum, cutter	2	072-2385-19	\$9.00
37	78083	Bush	2	037-4818-02	\$4.00
38	Consult	Lever assembly, cutter, front	1	090-0508-07	\$34.00
39	Consult	Lever assembly, cutter rear	1	090-0511-09	\$34.00
42	185863	Spring, coil, compressive	2	076-3329-03	\$3.00
43	74452	Hanger, spring	4	003-6479-04	\$5.00
44	Consult	Bracket, cutter	1	076-9850-19	\$38.00
45	157905	Cutter, saw teeth	1	076-9952-15	\$194.00
46	174449	Block B, cutter, hold	4	076-9824-21	\$5.00
47	188867	Pin assembly, cutter, hold	4	000-116-1899-01	\$8.00
48	188868	Pin assembly, cutter, upper	4	000-116-1898-08	\$8.00
49	174135	Spring, plate, cutter	2	091-0512-28	\$9.00
51	Consult	Rubber pad	2	052-4630-01	\$1.00
52	Consult	Bracket, sensor	1	090-0736-37	\$24.00
54	Consult	Bracket, sensor insertion	1	091-0526-01	\$9.00
55	Consult	Stay change	1	079-8938-57	\$69.00

Price and availability confirmation recommended

An ISO 9001 Registered Company ©2026 Rice Lake Weighing Systems 1/26 Prices and specifications subject to change without notice. Visit ricelake.com for current prices.

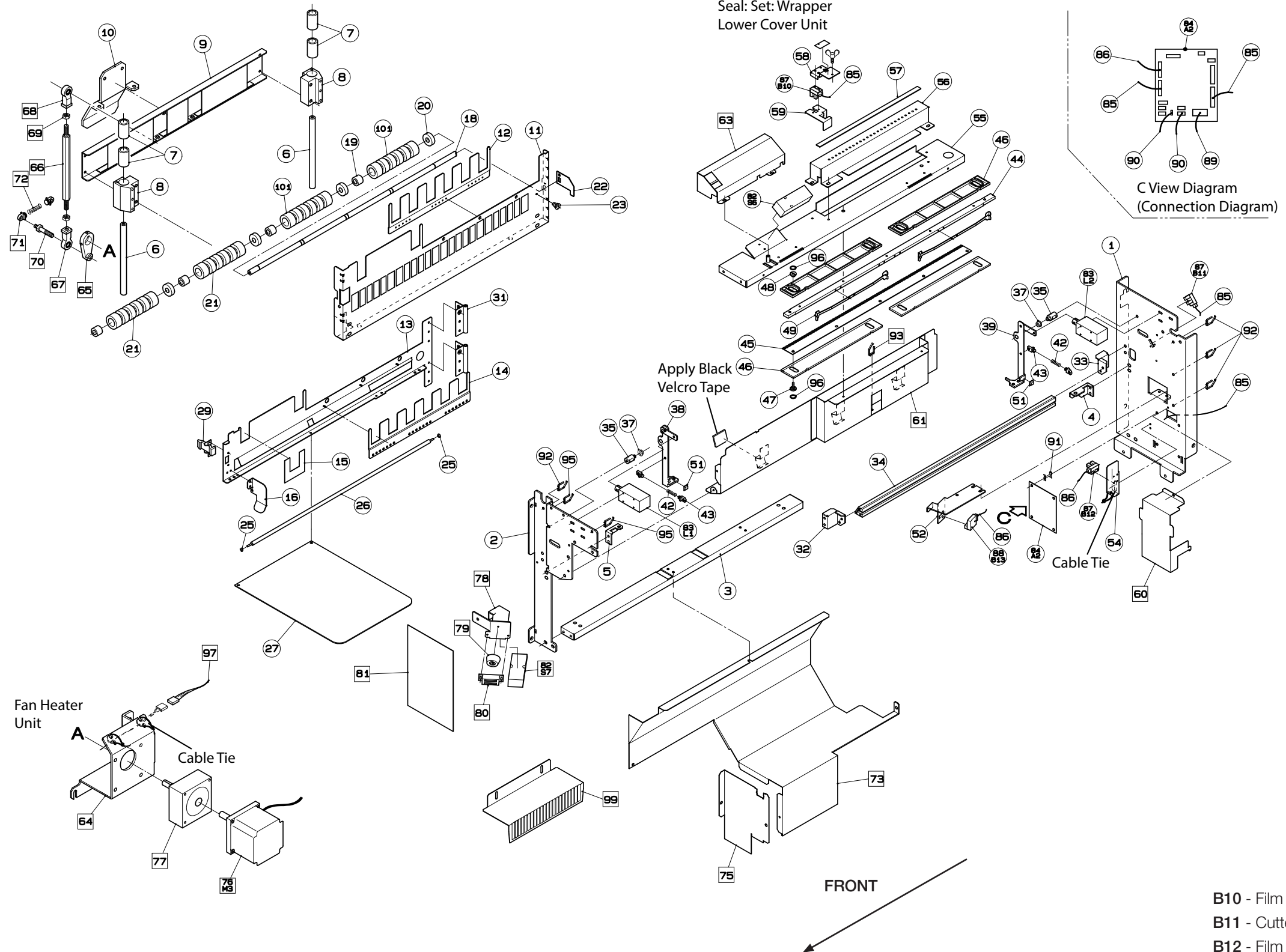
Film Transport Unit, Right

Part Number/Price

REF #	PART #	DESCRIPTION	QTY	SYNONYM	PRICE
56	Consult	Guide, sensor	1	091-0556-03	\$35.00
57	Consult	Name plate, scale film	1	073-7112-05	\$6.00
58	Consult	Bracket sensor	1	091-0551-05	\$24.00
59	Consult	Holder, sensor, insertion	1	073-7154-11	\$11.00
60	Consult	Cover, PWB, transport	1	090-0733-27	\$19.00
61	Consult	Cover, loading	1	090-0750-02	\$85.00
63	Consult	Cover, film transport upper	1	091-2103-16	\$23.00
64	Consult	Bracket, motor, insert	1	079-8927-29	\$24.00
65	Consult	Lever, drive, hand-over	1	076-1777-01	\$16.00
66	Consult	Threaded rod, turnbuckle, MM	1	069-2284-36	\$22.00
67	Consult	Rod end, type I, F	1	000-3739-00	\$35.00
68	Consult	Rod end, type I, F	1	016-8825-08	\$35.00
69	Consult	Hex nut, T1, left-handed thread	1	000-0111-01	\$2.00
70	Consult	Pin, hanger, spring	1	070-1327-32	\$12.00
71	Consult	Hanger, spring	2	011-5180-11	\$2.00
72	Consult	Spring, coil, compressive	1	070-1328-09	\$4.00
73	Consult	Cover, roll	1	090-0761-40	\$77.00
75	Consult	Cover, roll, front	1	090-0758-11	\$18.00
76	162943	Motor, DC brushless with brake (M3)	1	073-7450-04	\$315.50
77	Consult	Gear head	1	055-9082-01	\$216.00
78	Consult	Bracket switch	1	091-0519-14	\$19.00
79	Consult	Rubber pad	1	000-3965-05	\$2.00
80	Consult	Catch magnet	1	006-3205-01	\$7.00
81	Consult	Name plate, explanation	1	106-6696-01	\$28.00
82	157866	Switch, safety (film removal and side doors) (S6, S7)	2	111-8428-00	\$92.00
83	174136	Solenoid assembly, cutter (L1, L2)	2	073-7081-03	\$32.00
84	157894	PWB, P-922, A-1 (A2)	1	068-9900-35	\$164.00
85	Consult	Harness, C6, film transfer R	1	070-9686-20	\$21.00
86	Consult	Harness, C3, film insertion R	1	090-0785-02	\$9.00
87	104239	Photo interrupter, transmitter, white conn. (B10, B11, B12)	3	070-5204-14	\$12.00
88	157856	Photo interrupter, transmitter, insertion plate - open, black conn. (B13)	1	070-5205-18	\$14.00
89	Consult	Harness, C2, ground	1	072-2104-28	\$2.00
90	Consult	Harness, C4, film transfer R	1	072-2251-22	\$26.00
91	47027	PWB accessory, card spacer	4	000-1796-05	\$2.00
92	Consult	Accessory, clamp, LWS clamp	4	073-7213-08	\$1.00
93	Consult	Accessory, clamp, LWS clamp	1	073-7214-01	\$1.00
95	Consult	Accessory, clamp, LWS clamp	2	073-7212-04	\$1.00
97	Consult	Harness, C3, fan heater R	1	073-7233-11	\$11.00
99	Consult	Cover, fan heater	1	073-7427-17	\$12.00
101	157886	Roller, clutch, slider	2	098-3477-13	\$32.00

Ishida WM-4000

Film Transport Unit, Right



- B10 - Film width detection
- B11 - Cutter home position
- B12 - Film insertion plate home position
- B13 - Film insertion plate open/closed

Frame Unit

Part Number/Price

REF #	PART #	DESCRIPTION	QTY	SYNONYM	PRICE
1	Consult	Frame, connect, link	1	090-0672-23	\$48.00
2	Consult	Frame, motor, wrapper	1	076-9985-36	\$90.00
3	Consult	Frame, link, R	1	091-0508-04	\$38.00
4	Consult	Frame, link, L	1	090-0669-12	\$52.00
5	Consult	Frame, wrapper, L	1	090-0754-25	\$48.00
6	Consult	Frame, wrapper, R	1	090-0755-29	\$48.00
7	Consult	Frame, slide, packing	2	072-2344-25	\$66.00
8	Consult	L plate B sensor, fold	1	072-2217-25	\$9.00
9	Consult	Bracket, tension, pusher L	1	090-0756-22	\$45.00
10	Consult	Bracket, tension, pusher R	1	073-7249-39	\$32.00
11	Consult	Frame, power SW	1	090-0668-00	\$25.00
12	Consult	Bracket, MC	1	090-0670-26	\$16.00
13	152168	Photo, interrupter, transmitter (B25)	1	072-2099-048	\$16.00
14	152169	Photo, interrupter, receiver (B26)	1	072-2100-05	\$28.00
16	72842	Switch, rotary, main power on/off (S1)	1	072-2230-06	\$122.00
17	157897	Power supply, switching (U1, U2)	2	110-7784-05	\$255.00
18	157865	Electromagnetic contactor	1	069-2403-05	\$80.00
19	Consult	Harness, C4, MC coil	1	069-6755-38	\$12.00
21	Consult	Harness, S2, short circuit M	1	069-4568-21	\$4.00
22	Consult	Harness, S2, short circuit MC	1	069-4567-28	\$4.00
23	157866	Switch, safety, printer door (S2)	1	111-8428-00	\$92.00
24	104239	Photo interrupter, transmitter, white conn. (B6, B7, B8)	3	070-5204-14	\$12.00
26	Consult	Frame, applicator base, rear	1	090-0671-20	\$69.00
28	116274	Electromagnetic, coil surge (Z3)	1	072-2108-04	\$34.00
29	Consult	Harness, C14, PS DC	1	072-2266-46	\$69.00
30	Consult	Harness, C14, signal	1	098-8345-04	\$72.00
31	157895	Relay, solid state (K5)	1	073-7118-07	\$34.00
35	Consult	Accessory fastener, edge saddle	2	064-0360-05	\$2.00
37	Consult	Accessory, clamp, LWS clamp	17	073-7214-01	\$1.00
38	Consult	Accessory, clamp, LWS clamp	6	073-7212-04	\$1.00
39	Consult	Accessory, clamp, LWS clamp	1	073-7213-08	\$1.00

Price and availability confirmation recommended

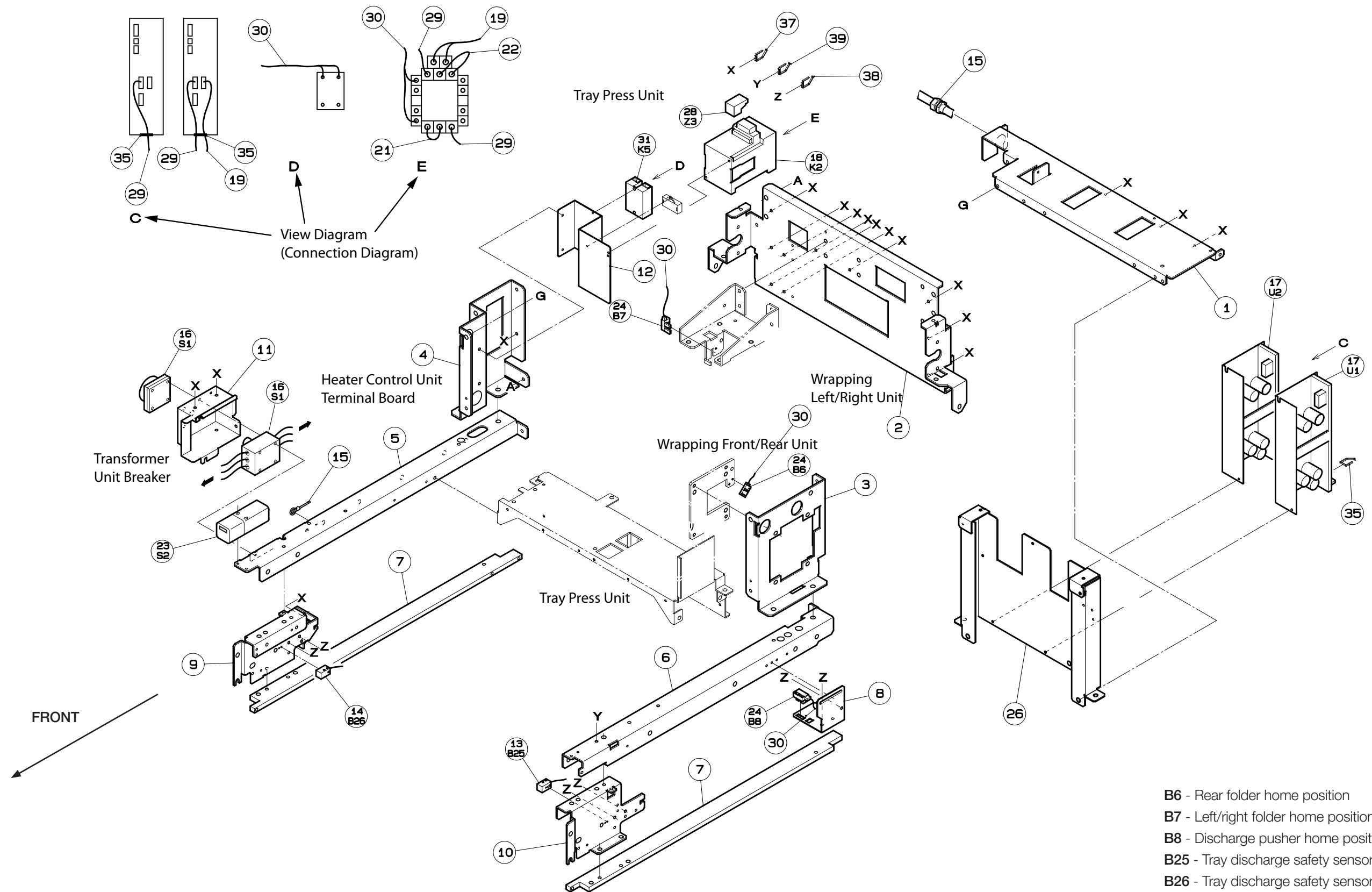
An ISO 9001 Registered Company ©2026 Rice Lake Weighing Systems 1/26 Prices and specifications subject to change without notice. Visit ricelake.com for current prices.

RICE LAKE
WEIGHING SYSTEMS

Discontinued Products

Ishida WM-4000

Frame Unit



- B6 - Rear folder home position
- B7 - Left/right folder home position
- B8 - Discharge pusher home position
- B25 - Tray discharge safety sensor, transmitter
- B26 - Tray discharge safety sensor, receiver

Lift Changeover Unit

Part Number/Price

REF #	PART #	DESCRIPTION	QTY	SYNONYM	PRICE
1	Consult	Frame, change	1	101-1520-23	\$126.00
2	Consult	Bracket, sensor, change	1	079-3051-10	\$20.00
5	Consult	Bracket, stopper	1	101-1518-25	\$48.00
6	Consult	Bracket, stopper	1	101-1519-29	\$48.00
7	Consult	Bracket, change, lift, R	1	098-8199-25	\$82.00
8	Consult	Block B, change	1	079-1293-17	\$3.00
9	Consult	U plate B, link, change	1	069-2385-20	\$45.00
10	Consult	Pin, move, change	1	069-2389-33	\$12.00
11	Consult	Pin, fulcrum, change	1	079-3046-11	\$12.00
12	Consult	Collar, link	1	069-2387-27	\$8.00
13	Consult	Boss, motor, changeover	1	076-1782-01	\$12.00
14	Consult	Plate B, sensor plate, changeover	1	072-2185-20	\$4.00
15	Consult	Shaft, moving, lift changeover	2	070-5185-26	\$9.00
16	182003	Gear head	1	025-3814-01	\$217.00
17	182004	Bush	2	028-1527-06	\$3.00
18	104239	Photo interrupter, trans, white conn. (B1, B2)	2	070-5204-14	\$12.00
19	182005	Motor assembly lift changeover (M15)	1	069-4690-23	\$167.00
20	Consult	L plate B, nut plate, lift	1	079-3043-01	\$11.00
21	Consult	Block B, lift change, ratch	1	091-0529-02	\$41.00
22	Consult	Block B, lift change, ratch	1	091-0530-07	\$41.00
23	Consult	Accessory, clamp LWS clamp	3	073-7213-08	\$1.00
24	Consult	Collar, link, change B	1	073-7367-08	\$6.00
25	Consult	Harness, C4, lift sensor	1	069-4559-46	\$38.00
26	Consult	Accessory, clamp, LWS clamp	3	073-7212-04	\$1.00

Price and availability confirmation recommended

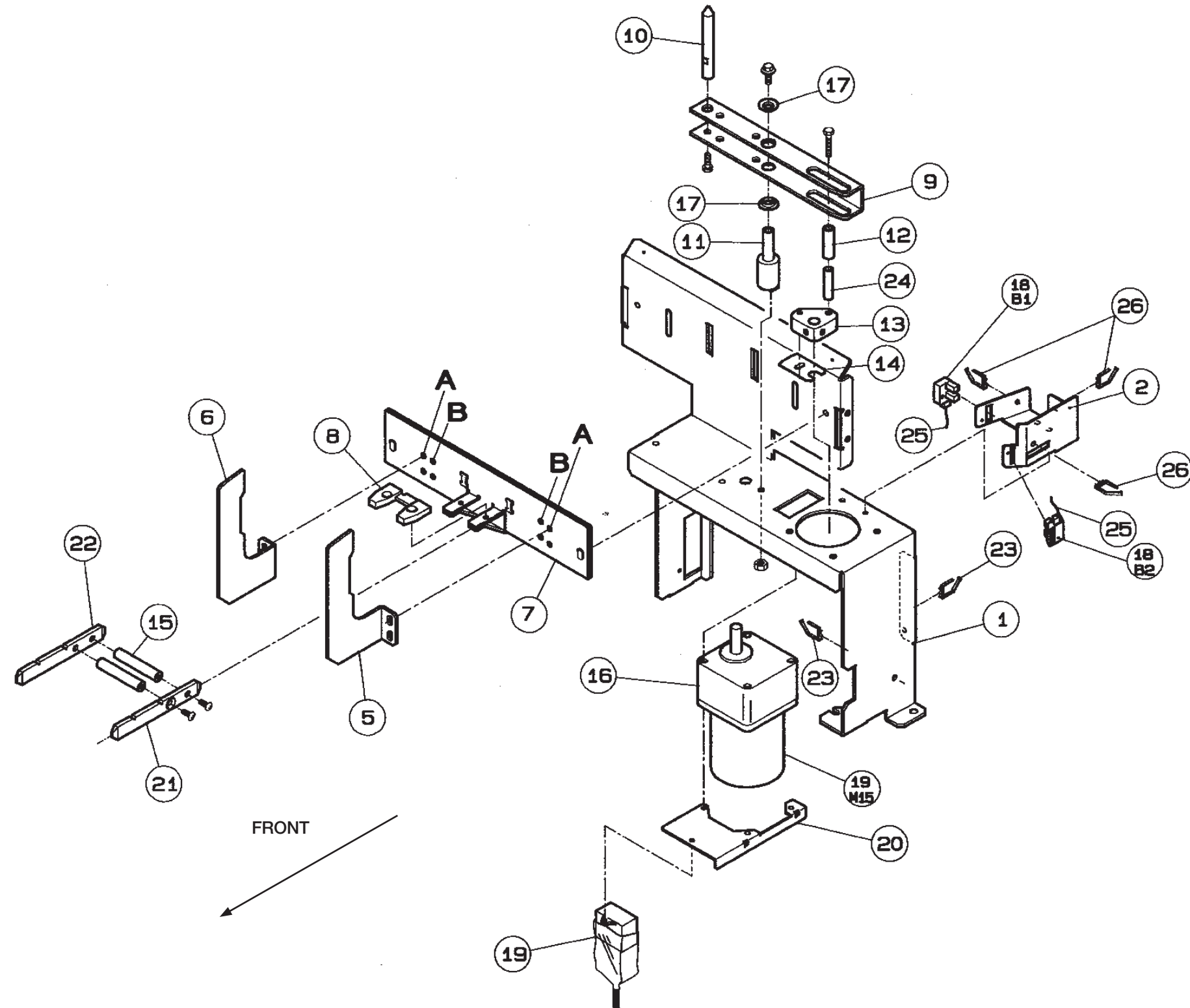
An ISO 9001 Registered Company ©2026 Rice Lake Weighing Systems 1/26 Prices and specifications subject to change without notice. Visit ricelake.com for current prices.

RICE LAKE
WEIGHING SYSTEMS

Discontinued Products

Ishida WM-4000

Lift Changeover Unit



B1 - Lift changeover, large
 B2 - Lift changeover, small

Lift Drive Unit

Part Number/Price

REF #	PART #	DESCRIPTION	QTY	SYNONYM	PRICE
1	Consult	Base, lift	1	042-4997-27	\$156.00
2	Consult	Case, gear, lift assembly	1	072-2361-01	\$188.00
3	Consult	Case, gear, lift assembly	1	072-2362-04	\$188.00
4	42967	Cap	2	001-4457-01	\$2.00
5	Consult	Pusher, segment M	4	041-4355-01	\$62.00
6	Consult	Oil seal	2	041-4359-05	\$8.00
7	Consult	Gear head, worm	1	065-9665-01	\$400.00
8	Consult	Bracket, gear, head	1	042-4523-16	\$7.00
9	189281	Key, parallel, both ends round	2	046-2185-03	\$4.00
10	Consult	Gear, flat	2	042-4539-24	\$99.00
11	Consult	Collar, pinion, hold	2	042-4515-25	\$5.00
12	Consult	Bearing, radial, deep groove	2	000-3654-07	\$13.00
13	Consult	Holder, bearing, lift	2	042-4622-21	\$33.00
14	Consult	Bracket, lift, drive	1	101-1504-05	\$30.00
15	Consult	Gear, rack lift	2	101-1502-08	\$188.00
16	Consult	Collar, stopper	2	098-3130-02	\$14.00
19	41654	Seal	1	014-3683-03	\$3.85
20	Consult	Base, head, lift F	1	101-1501-13	\$109.00
21	Consult	Plate B, connect, fix	1	079-3045-26	\$30.00
22	Consult	Detect, plate, original, lift	1	101-1585-07	\$6.00
23	Consult	Block B, housing, rear head	2	070-5489-00	\$25.00
24	Consult	Bracket, connect, rear head	1	101-1503-01	\$34.00
25	Consult	Base, head, lift R	1	101-1521-18	\$99.00
26	157864	Ball plungers	2	072-2115-01	\$47.00
27	Consult	Block B, slide, lift change over	2	076-1781-07	\$7.00
28	99029	Sensor assembly lift lower, home position (B5)	1	072-2279-26	\$66.00
32	180618	Collar, lift head	8	076-9554-16	\$3.00
33	Consult	Collar	2	090-0667-06	\$4.00
37	Consult	Accessory, clamp, LWS clamp	2	073-7212-04	\$1.00

See Wrapper Main Body Unit for Lift Motor and Servo

Price and availability confirmation recommended

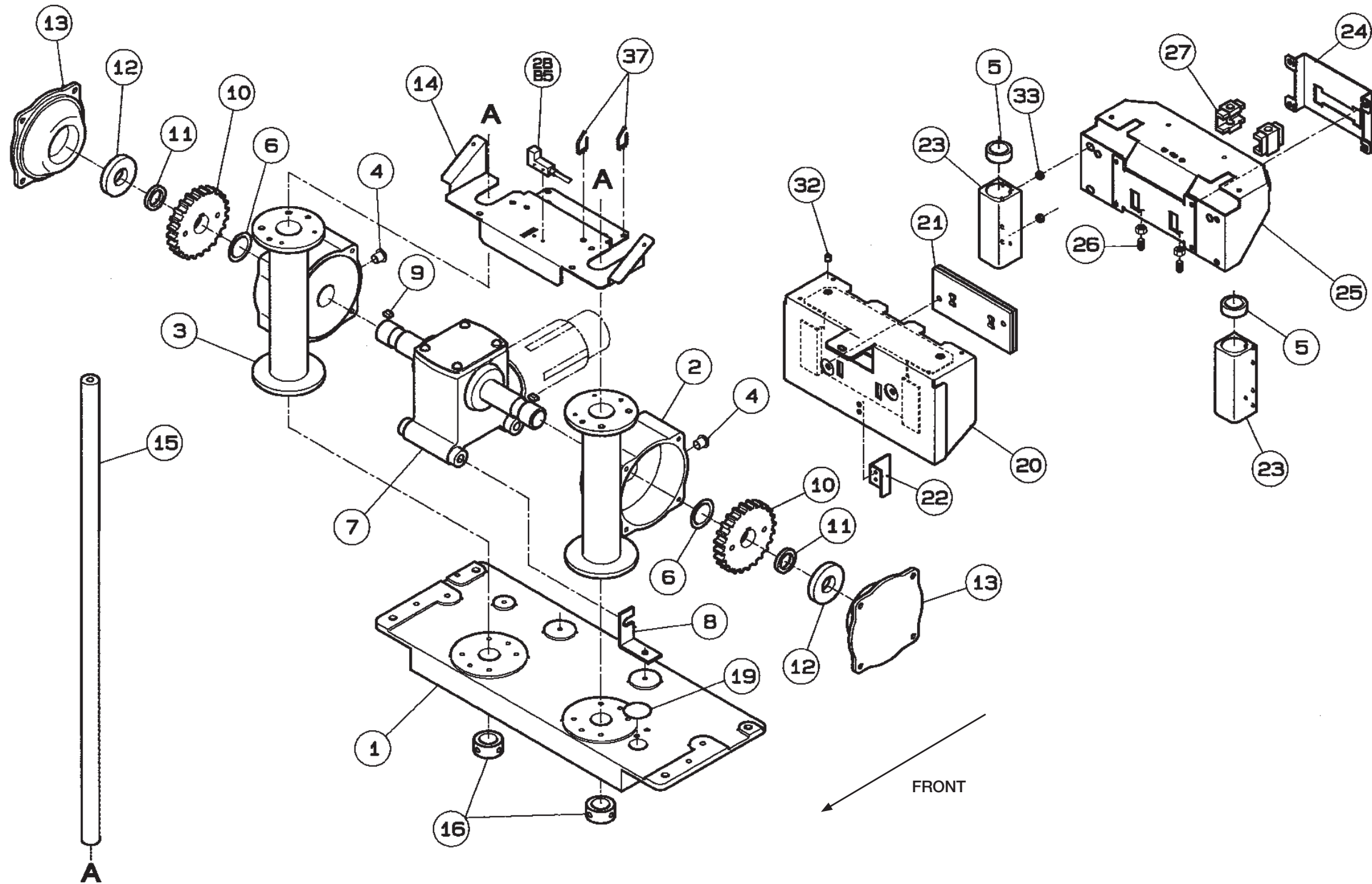
An ISO 9001 Registered Company ©2026 Rice Lake Weighing Systems 1/26 Prices and specifications subject to change without notice. Visit ricelake.com for current prices.

RICE LAKE
WEIGHING SYSTEMS

Discontinued Products

Ishida WM-4000

Lift Drive Unit



B5 - Lift home position

Lift Head Unit

Part Number/Price

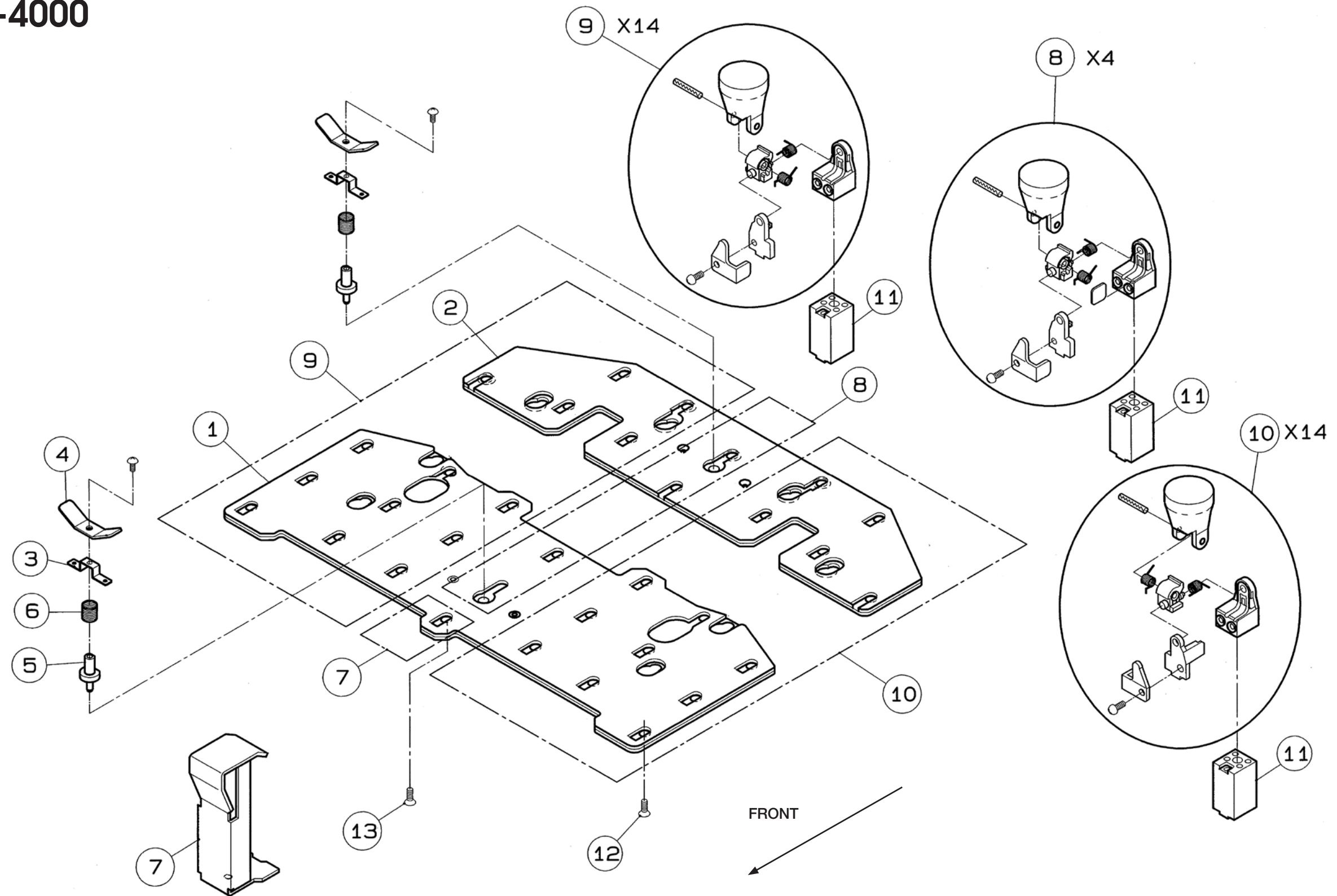
REF #	PART #	DESCRIPTION	QTY	SYNONYM	PRICE
1	Consult	Plate B, head, lift front	1	098-3140-19	\$48.00
2	Consult	Plate B, head, lift rear	1	098-3141-03	\$35.00
3	157844	Bracket, lift, flex	2	116-1863-08	\$15.00
4	157845	Plate, lift head	2	116-1864-0	\$15.00
—	Consult	Screw, button head, M3x6	2		Consult
5	157846	Shaft, lift, fix	2	101-1727-09	\$13.00
6	157847	Spring, coil, compressive	2	098-3135-01	\$6.00
7	181249	Lift head, steel, "handle"	1	130-6794-01	\$91.00
—	181293	Screw, M4x8, flat head phillips, SST	1		\$1.00
8	157839	Lift head assembly center	4	098-8359-33	\$42.00
9	157840	Lift head assembly left	14	098-8360-38	\$33.00
10	157841	Lift head assembly right	14	098-8361-31	\$33.00
11	157842	Block B, spacer	33	098-8227-26	\$5.00
12	157843	Tapping screw, pan head	33	098-8231-03	\$2.00

Price and availability confirmation recommended

An ISO 9001 Registered Company ©2026 Rice Lake Weighing Systems 1/26 Prices and specifications subject to change without notice. Visit ricelake.com for current prices.

Ishida WM-4000

Lift Head Unit



ISHIDA WM-4000

Lift Stopper Unit

Part Number/Price

REF #	PART #	DESCRIPTION	QTY	SYNONYM	PRICE
1	Consult	Bracket, solenoid, lift	1	091-0505-12	\$19.00
2	164213	Plate B, solenoid	1	091-0504-19	\$11.00
3	157893	Block B, stopper, lift change	1	070-5181-21	\$19.00
4	164214	Spring, coil, compressive	1	091-0649-06	\$5.00
5	164215	U plate A, lift, stopper	1	070-5183-10	\$8.00
7	164216	Solenoid, lift hold (L19)	1	090-0794-06	\$29.50

Discontinued Products

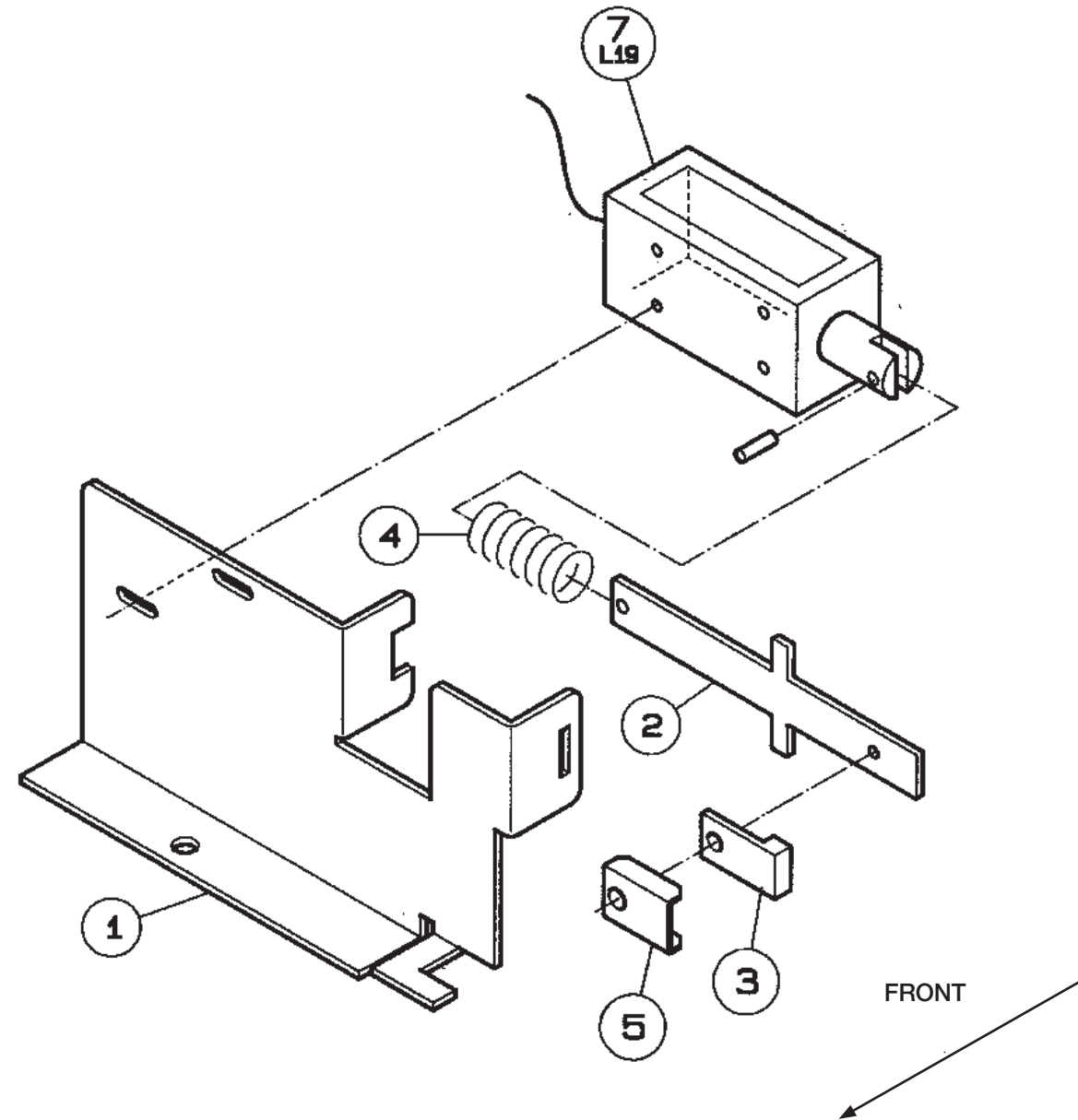
Price and availability confirmation recommended

An ISO 9001 Registered Company ©2026 Rice Lake Weighing Systems 1/26 Prices and specifications subject to change without notice. Visit ricelake.com for current prices.

RICE LAKE
WEIGHING SYSTEMS

Ishida WM-4000

Lift Stopper Unit



Heater Control Unit, Addition (1 of 2)

Part Number/Price

REF #	PART #	DESCRIPTION	QTY	SYNONYM	PRICE
1	157861	Controller, motor, DC brushless, discharge conveyer (E310)	1	070-1420-09	\$251.00
2	Consult	Harness, C4, AC power	1	076-1897-05	\$10.00
3	Consult	Harness, C4, BC brushless	1	076-1910-10	\$32.00
4	Consult	Harness, C3, sensor	1	076-1901-25	\$15.00

Discontinued Products

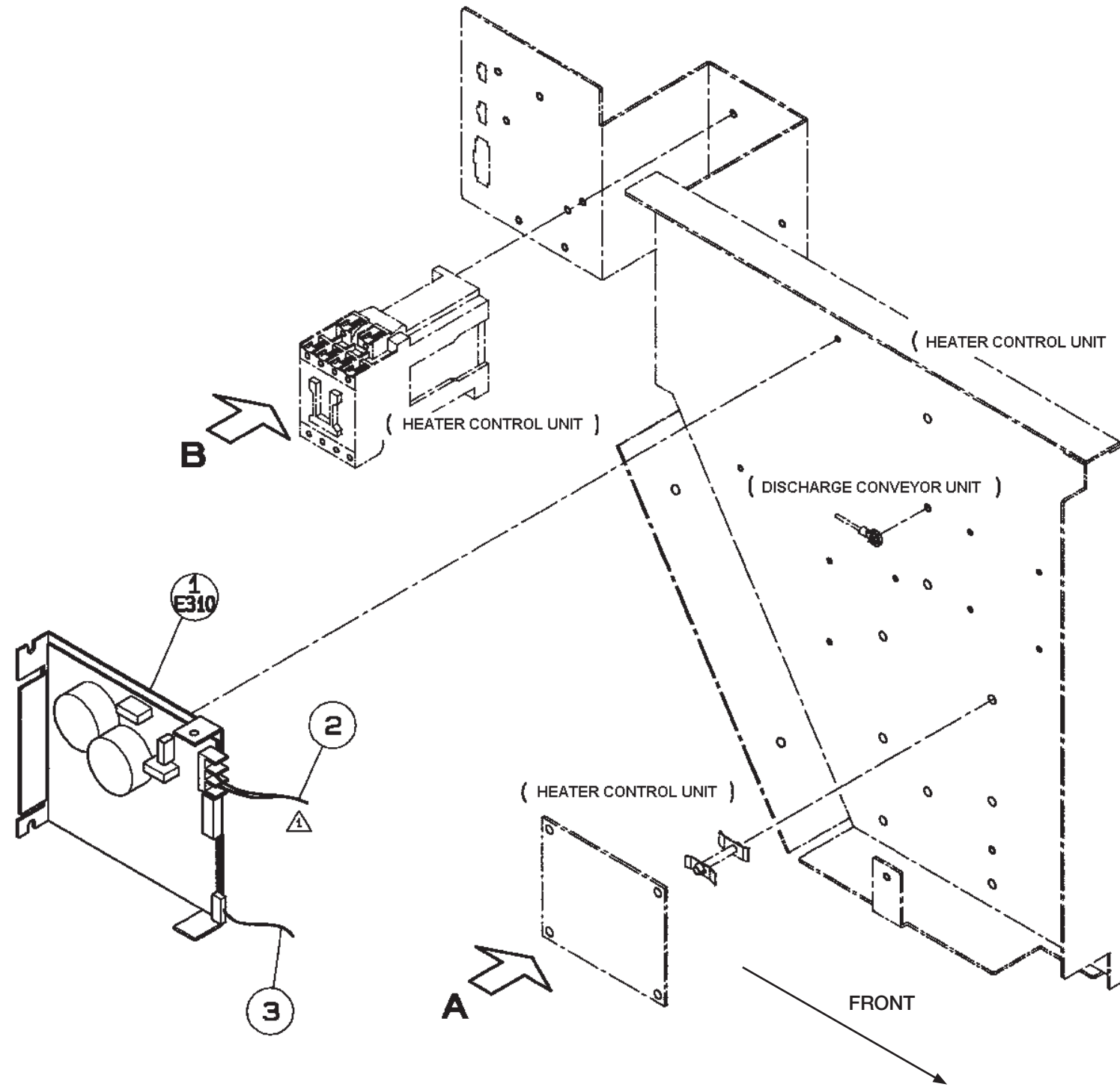
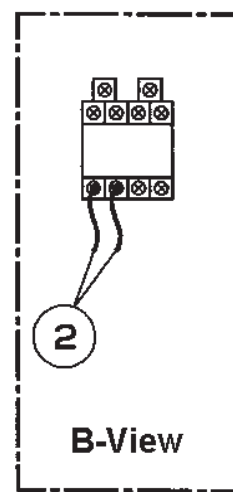
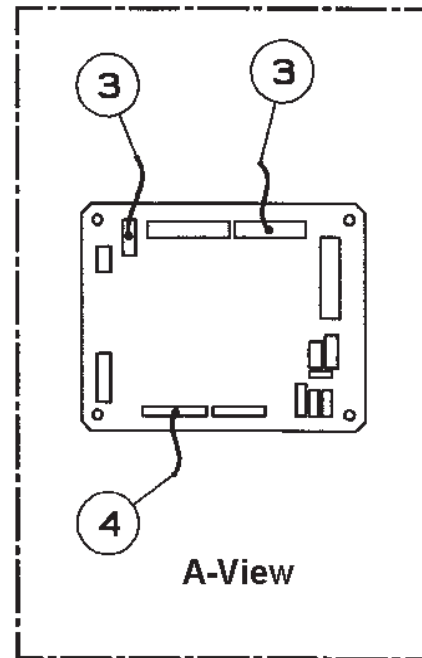
Price and availability confirmation recommended

An ISO 9001 Registered Company ©2026 Rice Lake Weighing Systems 1/26 Prices and specifications subject to change without notice. Visit ricelake.com for current prices.



Ishida WM-4000

Heater Control Unit, Addition (1 of 2)



Heater Control Unit, Addition (2 of 2)

Part Number/Price

REF #	PART #	DESCRIPTION	QTY	SYNONYM	PRICE
1	Consult	Cover, wrapper	1	108-0249-02	\$72.00
2	Consult	Name plate, ground	1	052-0232-08	\$5.00

Infeed Conveyor Unit

Part Number/Price

REF #	PART #	DESCRIPTION	QTY	SYNONYM	PRICE
1	Consult	Sprocket, 35, C	2	079-3055-14	\$38.00
3	Consult	Shaft, fixed	1	079-3031-24	\$30.00
4	Consult	Shaft, tension	1	079-3032-00	\$25.00
5	Consult	Sprocket, 35, C	2	079-3056-18	\$34.00
6	Consult	Sprocket assembly	2	076-9971-16	\$66.00
7	Consult	Sprocket, T35, B	3	076-9805-11	\$28.00
8	Consult	Shaft, drive	1	070-1024-34	\$48.00
9	106115	Bearing, radial, deep groove	2	030-6366-02	\$14.00
10	Consult	Chain, roller, SST, drive motor	1	057-7088-00	\$24.00
11	Consult	Sprocket assembly, motor	1	076-9972-10	\$41.00
12	Consult	Bracket, motor, conveyor	1	090-0657-18	\$48.00
13	Consult	Bracket, cover, motor	1	079-3036-22	\$126.00
14	193373	Gear, flat	2	076-1963-08	\$55.00
17	Consult	Holder, shaft, lower	1	076-9797-05	\$6.00
18	Consult	Threaded rod, round, FF	1	072-2111-06	\$25.00
19	Consult	Cover, gear	1	072-2200-04	\$22.00
20	Consult	Bracket, connector	1	070-5228-31	\$34.00
21	Consult	Cover, infeed, board	1	079-3026-43	\$35.00
22	162625	Guide, transfer	1	098-3138-39	\$114.00
23	Consult	Frame, conveyor L	1	079-3038-48	\$189.00
24	Consult	Frame, conveyor R	1	079-3039-41	\$189.00
25	Consult	Bracket, sensor, starting point	1	070-1103-44	\$24.00
27	Consult	Cover, harness	1	090-0764-13	\$30.00
28	Consult	Rail	1	079-3028-22	\$55.00
29	Consult	Rail	1	079-3029-26	\$55.00
32	Consult	Threaded rod, round, FF	1	070-1033-10	\$24.00
35	157850	Guide, pusher, L+R (set)	1	101-1852-01	\$223.00
--	156992	Guide, pusher, extended, L+R (set)			\$495.00
36	157849	Threaded rod, round, mm	2	072-2229-01	\$11.00
37	47159	Knob, includes nut	4	000-1543-00	\$5.00
38	157882	Chain, roller, infeed pusher	2	070-1023-12	\$80.00
39	157848	Pusher, feed, PS	3	098-3287-21	\$249.00
41	Consult	Cover, lower	1	079-3034-25	\$85.00
44	Consult	Spring, coil, compressive	2	091-0601-08	\$6.00
45	Consult	Cover, conveyor	1	090-0658-49	\$131.00
46	159671	PWB, P-921, infeed I/O (A6)	1	068-9898-21	\$93.00
47	Consult	Harness, C2, comm	1	069-6787-55	\$11.00
48	Consult	Harness, C5, lower cover	1	072-2097-34	\$8.00
49	157866	Switch, safety, infeed and debris door (S8, S9)	2	111-8428-00	\$92.00
50	Consult	Harness, C7, drawer	1	071-4665-30	\$15.00
51	187755	Sensor assembly, centering (B29)	1	072-2096-31	\$71.00
52	Consult	Harness, C3, sensor	1	090-0787-00	\$12.00
53	104239	Photo interrupter, transmitters, white conn. (B30, B31)	2	070-5204-14	\$12.00
54	167686	Motor, stepping, infeed (M12)	1	070-1251-06	\$233.00
55	Consult	Motor, stepping, centering (M13)	1	070-1416-03	\$158.00
56	Consult	Harness, C2, ground	1	072-2104-28	\$2.00
57	Consult	Accessory, clamp, flat clamp	1	065-1823-03	\$7.00
58	Consult	Accessory, clamp, LWS clamp	2	073-7214-01	\$1.00
59	Consult	Accessory, clamp, LWS clamp	1	073-7212-04	\$1.00
60	Consult	Accessory, fastener	1	073-7211-01	\$2.00
61	Consult	Accessory, fastener, edge saddle	1	064-0360-05	\$2.00
62	47027	PWB accessory, card spacer	4	000-1796-05	\$2.00
64	Consult	Name plate, caution	1	106-6701-16	\$58.00
65	Consult	Accessory, clamp, LWS clamp	2	073-7213-08	\$1.00
66	Consult	Pin, feed, fulcrum	6	090-0912-09	\$5.00
68	Consult	Cap, harness, switch	2	091-0707-09	\$2.00
101	Consult	Name plate, level	1	025-2570-09	\$15.00

Price and availability confirmation recommended

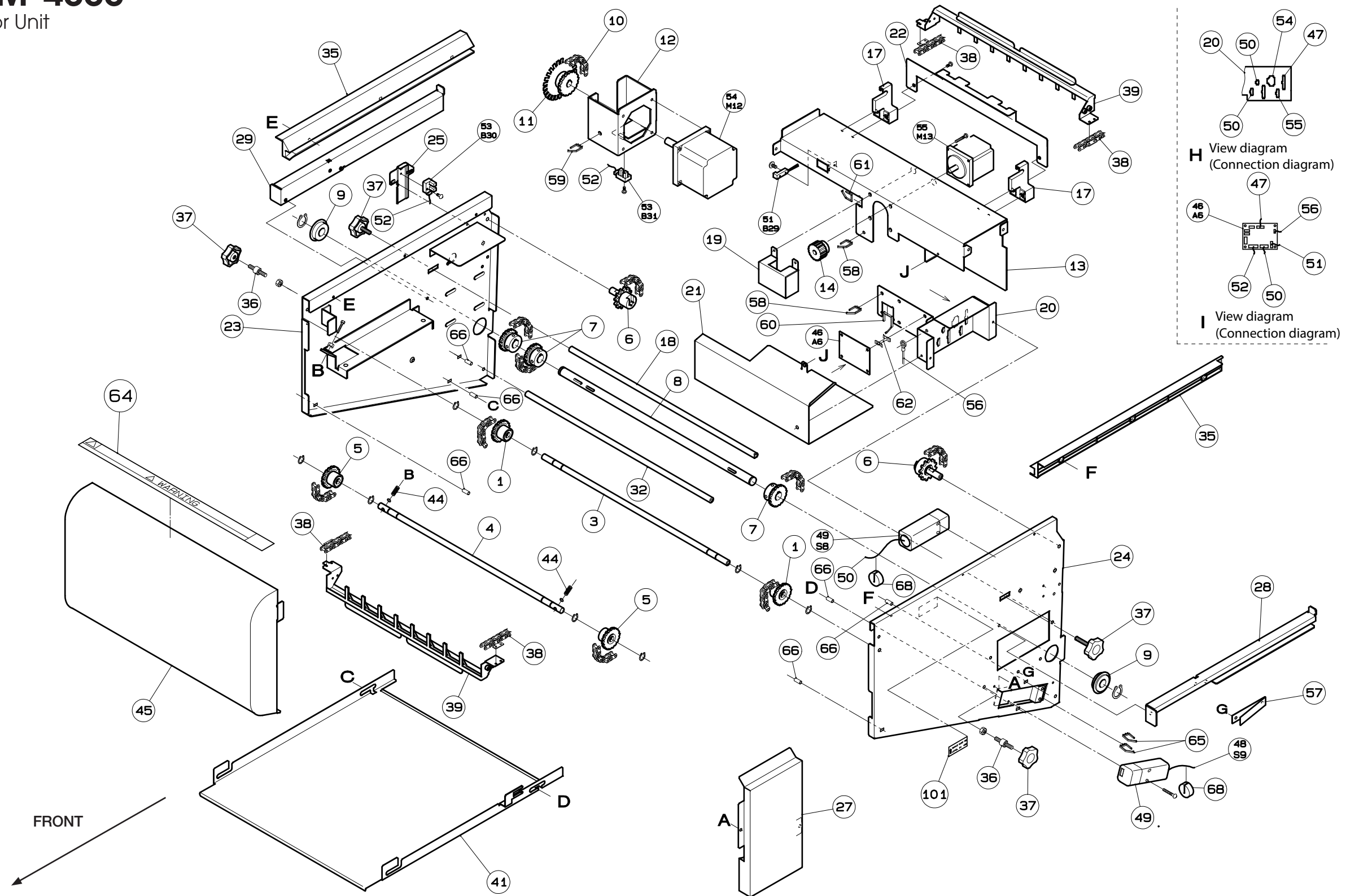
An ISO 9001 Registered Company ©2026 Rice Lake Weighing Systems 1/26 Prices and specifications subject to change without notice. Visit ricelake.com for current prices.

RICE LAKE
WEIGHING SYSTEMS

Discontinued Products

Ishida WM-4000

Infeed Conveyor Unit



- B29 - Centering home position
- B30 - Infeed pushers home position
- B31 - Infeed motor timing wheel

Key Unit

Part Number/Price

REF #	PART #	DESCRIPTION	QTY	SYNONYM	PRICE
1	Consult	Case, key, front	1	070-3084-08	\$6.00
2	Consult	Key rear assembly	1	072-8744-32	\$30.00
3	Consult	Accessory, clamp, code sticker	1	002-5711-08	\$1.00
4	189338	Tapping screw, plus pan, P tight	1	072-8767-01	\$2.00
5	200514	Cross hex, set screw S2P2, M4x10 mm SST	4	014-3997-02	\$2.00
70	98407	Keyboard assembly (E240)	1	108-0485-05	\$348.00
71	Consult	Harness, C2, ten key	1	069-6732-32	\$15.00
999	98400	Cover, 10-key, clear, adhesive		000-092-8430-13	\$66.00

Discontinued Products

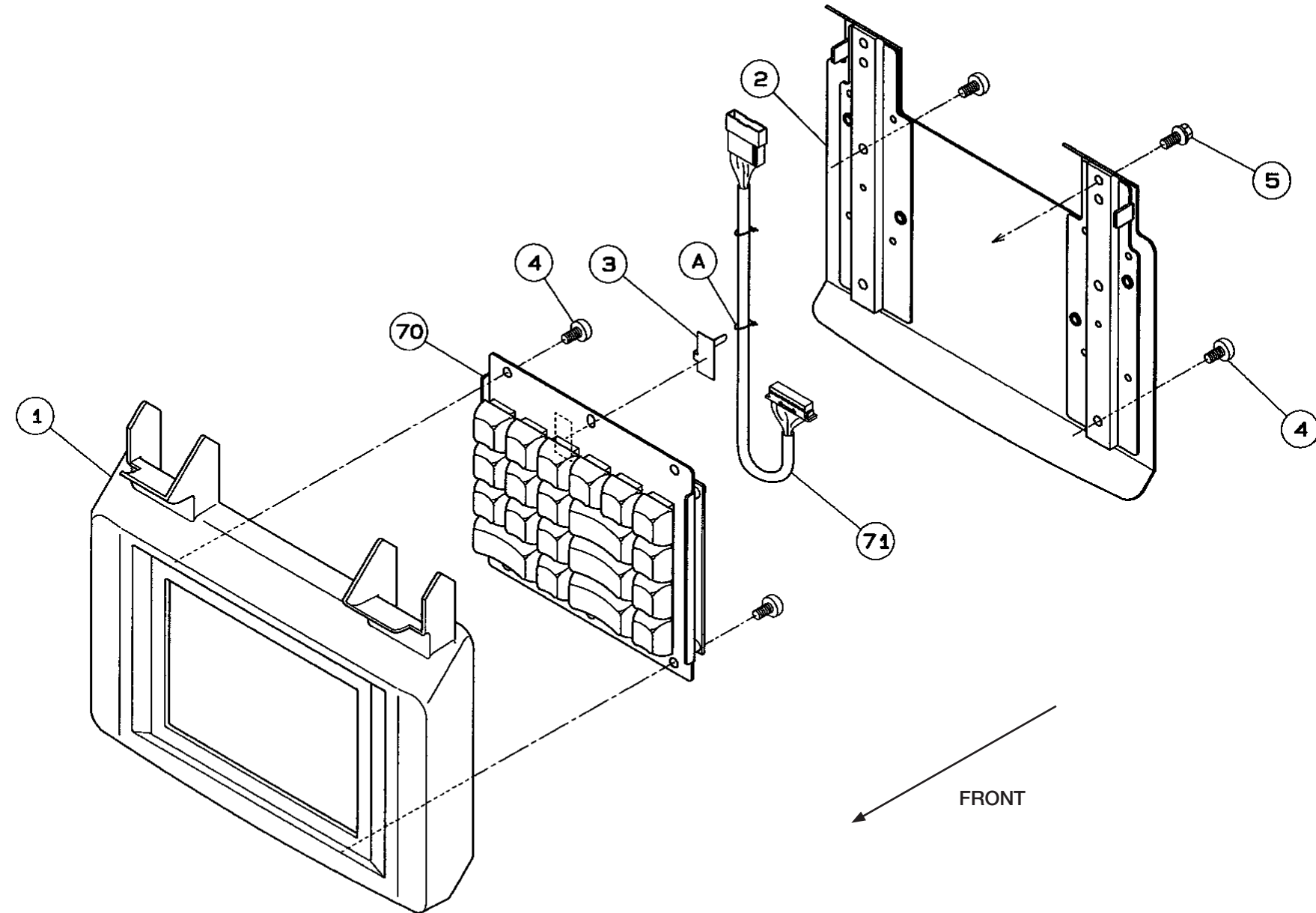
Price and availability confirmation recommended

An ISO 9001 Registered Company ©2026 Rice Lake Weighing Systems 1/26 Prices and specifications subject to change without notice. Visit ricelake.com for current prices.



Ishida WM-4000

Key Unit



Noise Filter Unit

Part Number/Price

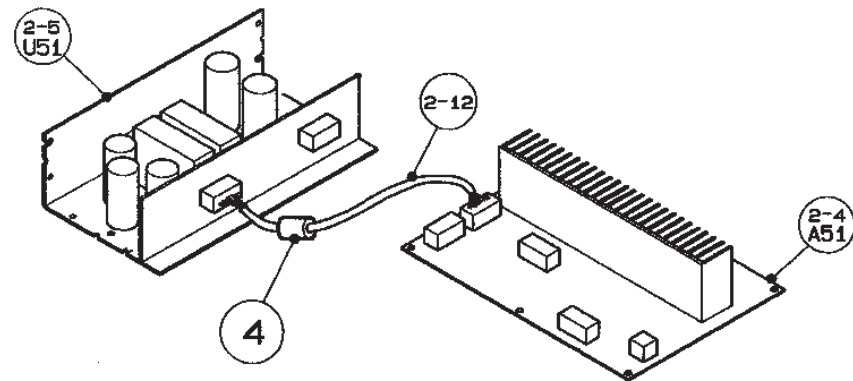
REF #	PART #	DESCRIPTION	QTY	SYNONYM	PRICE
1	Consult	Bracket, filter, noise	1	108-8165-11	\$65.00
2	Consult	Filter, noise	1	023-1640-08	\$213.00
3	Consult	PWB, P-859-1	1	075-1429-08	\$52.00
4	Consult	Filter, ferrite core	5	103-4034-07	\$5.00
5	186522	Filter, ferrite core	1	096-9524-03	\$11.00
7	Consult	Harness, C6, servo supply	1	108-8163-05	\$24.00
8	Consult	Harness, C3, servo power	1	108-8164-09	\$28.00
9	Consult	Harness, S2, ground	1	053-8930-01	\$3.00
10	Consult	Harness, S2, ground	1	052-9807-01	\$3.00

Price and availability confirmation recommended

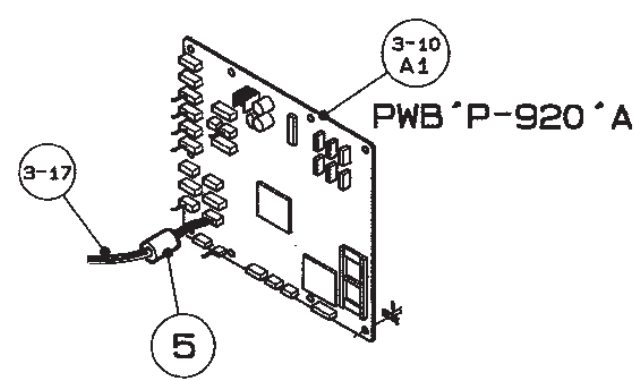
An ISO 9001 Registered Company ©2026 Rice Lake Weighing Systems 1/26 Prices and specifications subject to change without notice. Visit ricelake.com for current prices.

Ishida WM-4000

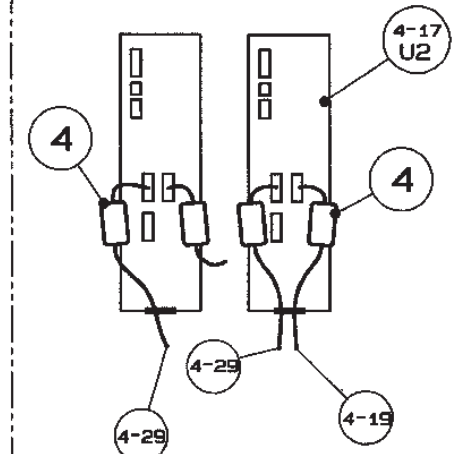
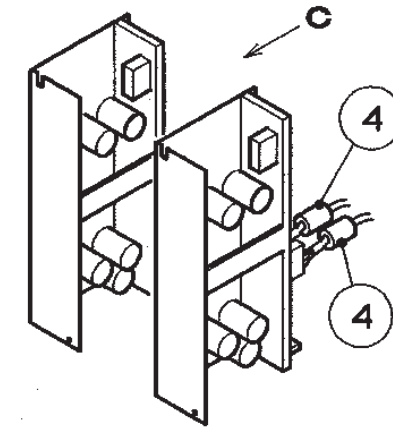
Noise Filter Unit



2 APPLICATOR UNIT::STABILITY FERRITE CORE INSTALLATION

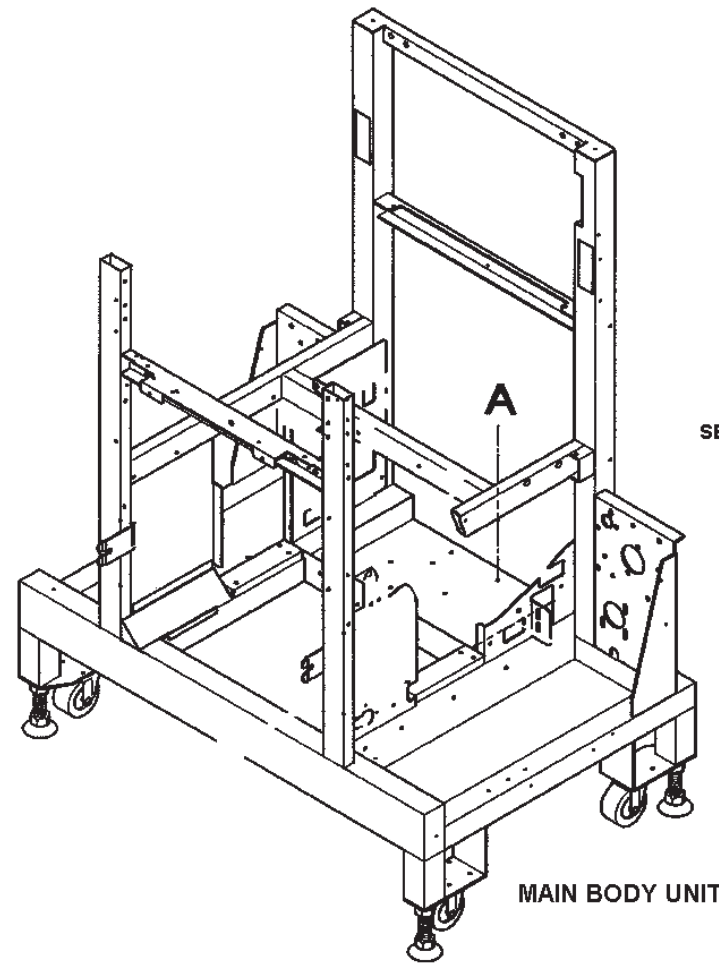


3 WRAPPING CONTROL UNIT FERRITE CORE INSTALLATION

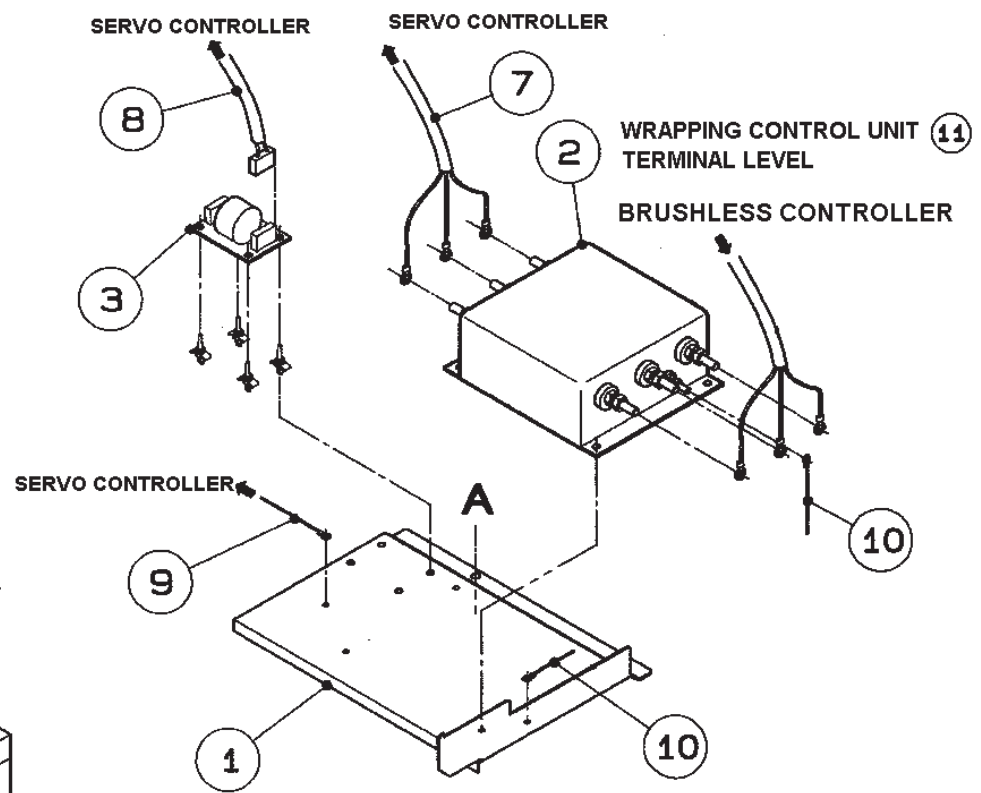


C VIEW DIAGRAM (CONNECTION DIAGRAM)

4 WRAPPING FRAME UNIT FERRITE CORE INSTALLATION



MAIN BODY UNIT



FRONT

Printer Frame Unit

Part Number/Price

REF #	PART #	DESCRIPTION	QTY	SYNONYM	PRICE
1	Consult	Base, printer, top plate	1	077-4992-50	\$158.00
2	Consult	Frame, applicator base, right	1	078-0757-53	\$65.00
3	Consult	Frame, applicator base, left	1	078-0758-66	\$65.00
5	72899	Switch, push, emergency stop (S5)	1	064-9296-02	\$74.00
9	Consult	Accessory, clamp, LWS clam	3	073-7214-01	\$1.00
10	152168	Photo, interrupter, transmitter, safety, printer door (B62)	1	072-2099-04	\$16.00
11	152169	Photo, interrupter, receiver, safety, printer door (B63)	1	072-2100-05	\$28.00
12	Consult	Accessory, clamp, LWS clam	2	073-7212-04	\$1.00
13	Consult	L plate, cover	1	106-6655-09	\$65.00
14	Consult	Cover, printer, side	1	106-6656-02	\$183.00

Discontinued Products

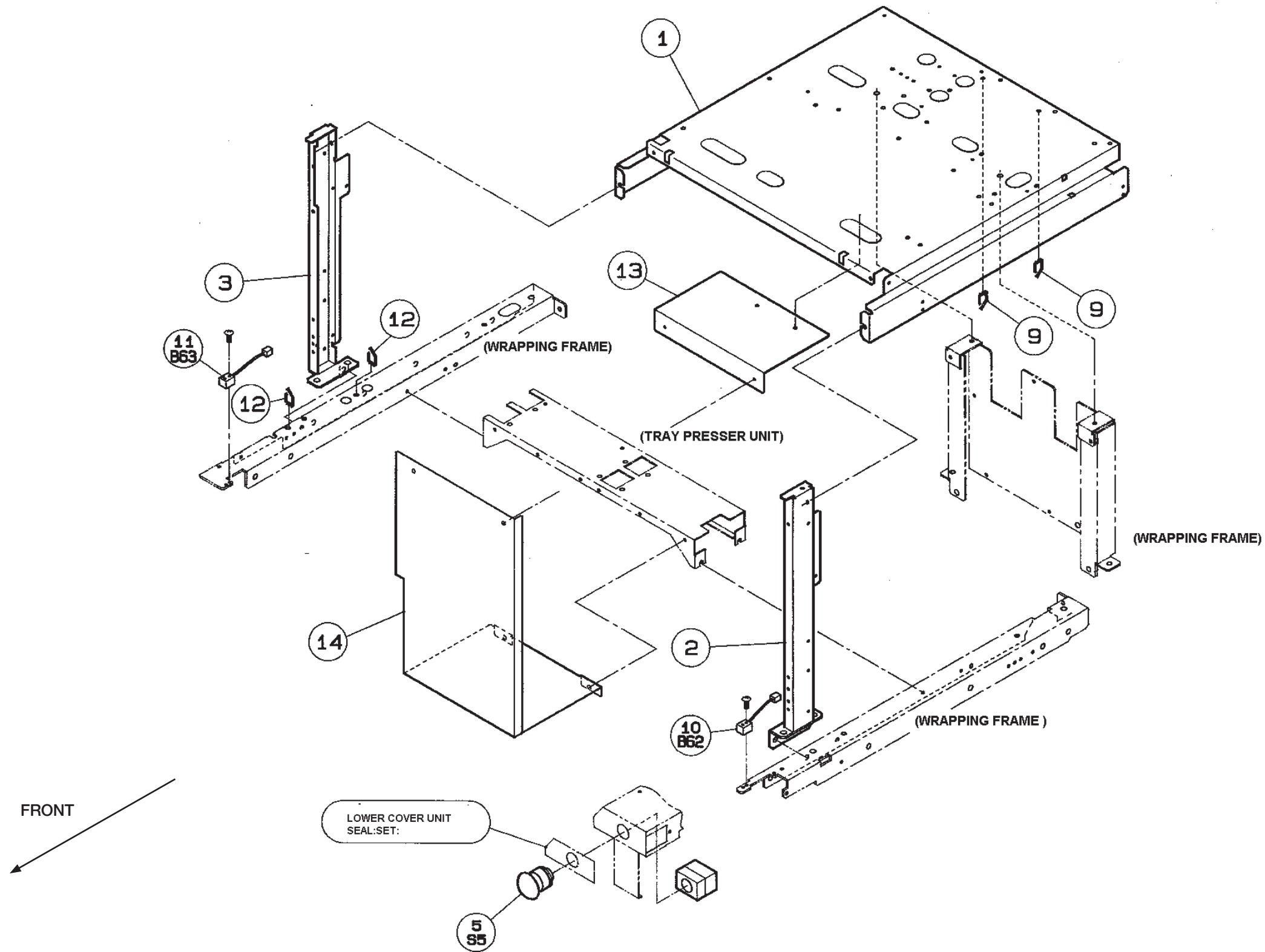
Price and availability confirmation recommended

An ISO 9001 Registered Company ©2026 Rice Lake Weighing Systems 1/26 Prices and specifications subject to change without notice. Visit ricelake.com for current prices.



Ishida WM-4000

Printer Frame Unit



B62 - Printer door safety, transmitter
 B63 - Printer door safety, receiver

Printer Unit

Part Number/Price

REF #	PART #	DESCRIPTION	QTY	SYNONYM	PRICE
1	157915	Shaft, step type	3	091-8678-03	\$12.00
2	157891	Roller, label, hold assembly	21	079-8591-03	\$4.00
4	Consult	Frame, hold, long	1	106-6651-13	\$85.00
5	157916	Collar	6	091-8682-18	\$5.00
6	157917	Collar	27	077-4891-20	\$5.00
7	Consult	Frame, hold	1	078-0812-19	\$8.00
8	Consult	Shaft, stock	1	070-9860-21	\$7.00
9	Consult	Bracket, sensor, R	1	078-0813-03	\$4.00
10	Consult	Bracket, sensor, L	1	078-0816-04	\$3.00
11	Consult	Shaft, roller, assist	2	044-3821-17	\$6.00
12	110525	Roller, assist	1	060-8956-04	\$37.00
13	Consult	Plate A, holder	1	072-5075-06	\$5.00
14	Consult	Bracket, assist	2	078-0818-01	\$3.00
15	Consult	Collar spacer	8	059-4384-06	\$1.00
16	Consult	Spring, coil, compressive	4	072-8615-17	\$4.00
17	Consult	Shaft, assist	1	078-0819-05	\$10.00
18	Consult	Bracket, assist, upper	1	078-0820-19	\$5.00
19	Consult	Spring, coil	1	078-0821-12	\$4.00
20	Consult	L plate A	1	078-0822-07	\$2.00
21	Consult	L plate A, press	1	078-0823-01	\$2.00
22	Consult	Collar spacer	1	027-6196-08	\$1.00
23	Consult	Spring, coil, compressive	4	072-5278-14	\$4.00
24	Consult	Roller, assist	1	069-4967-06	\$16.00
25	Consult	Spring, plate	1	075-5774-08	\$9.00
26	Consult	Guide, printer, cassette	1	075-5709-05	\$9.00
27	Consult	Roller, pole	1	011-0853-07	\$5.00
28	Consult	Collar, step	1	076-7629-05	\$12.00
29	Consult	Shaft guide, label	1	078-0824-04	\$9.00
30	Consult	Guide, label	1	078-0987-17	\$5.00
31	Consult	Guide, label	2	068-5048-46	\$7.00
32	Consult	Collar spacer	2	005-4287-03	\$1.00
33	Consult	Shaft label	2	078-0825-08	\$6.00
34	Consult	Roller guide	1	078-0991-03	\$3.00
35	Consult	Bracket, guide, label	1	078-0826-11	\$5.00
36	Consult	Gear, flat	1	076-1780-03	\$6.00
37	153085	Motor assembly, stepping (M100)	1	092-8406-04	\$76.00
38	Consult	Bracket, motor	1	078-0827-23	\$18.00
39	Consult	Motor assembly, take up (M101)	1	072-5467-21	\$85.00
40	153086	Gear, flat	1	047-0630-04	\$9.00
41	Consult	Plate A, motor, DC	1	078-0828-09	\$2.00
42	Consult	Rail, slide	2	076-7658-03	\$35.00
43	Consult	Catch, magnet	1	079-1224-01	\$12.00
44	Consult	Collar, label	4	079-8952-04	\$2.00
45	Consult	Bracket, plate, R	1	090-5240-26	\$24.00
46	Consult	Timing pulley, S3M, C	2	073-7220-04	\$20.00
47	125887	Timing belt, S3M, printer roller drive	1	068-5306-01	\$15.00
48	115144	Roller, print	2	075-1288-00	\$21.00
49	Consult	Cover, belt	1	078-0830-43	\$6.00
50	187458	Shaft, peel	1	090-5345-05	\$17.00
51	Consult	Shaft, idler	1	078-0831-10	\$7.00
52	Consult	Bracket, plate L, assembly	1	078-0832-04	\$35.00
53	Consult	Shaft, stock	1	070-9862-38	\$7.00
54	Consult	Gear, flat	1	076-1778-05	\$18.00
55	93355	Bush	4	064-0201-24	\$5.00

Price and availability confirmation recommended

An ISO 9001 Registered Company ©2026 Rice Lake Weighing Systems 1/26 Prices and specifications subject to change without notice. Visit ricelake.com for current prices.

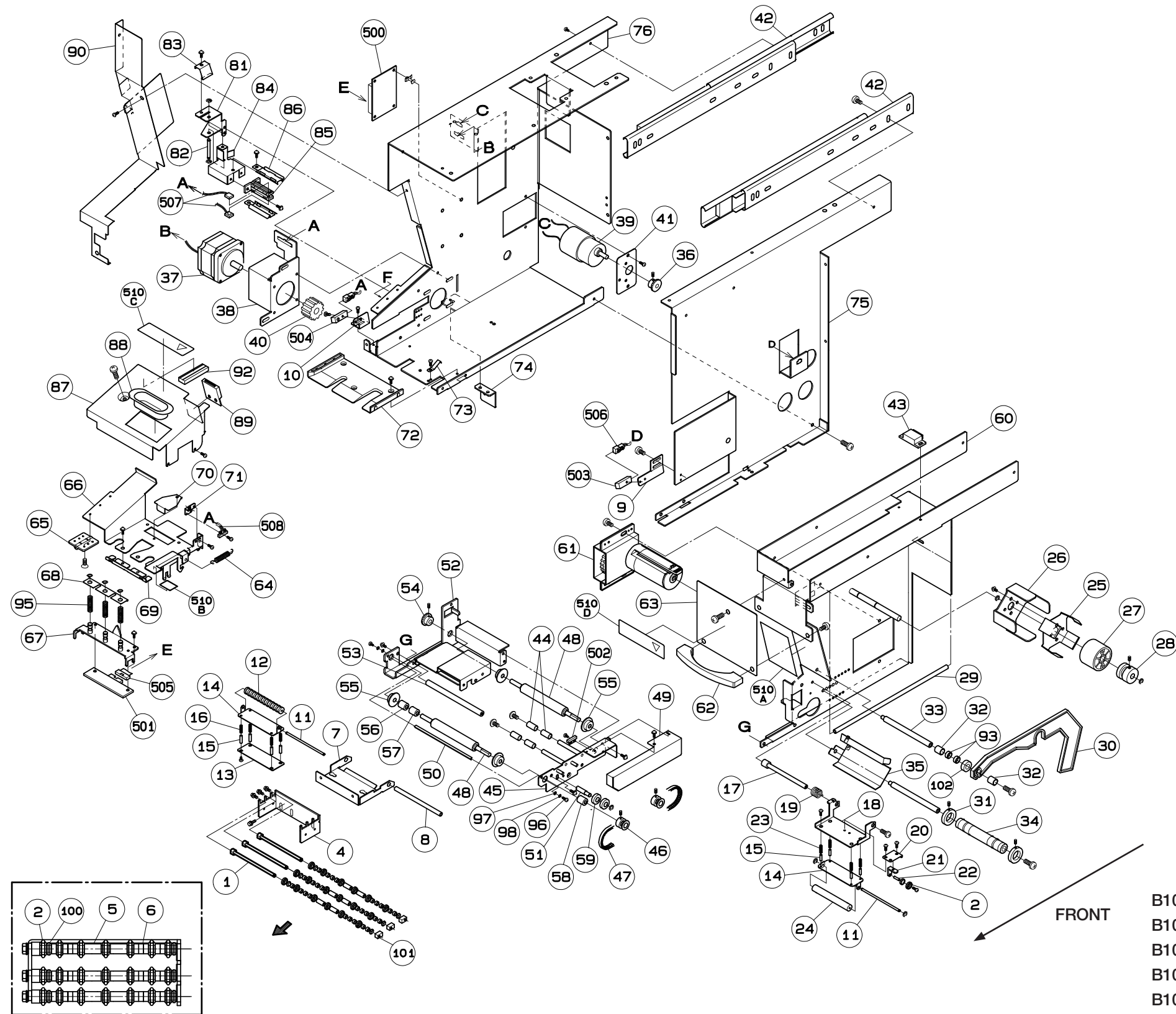
Printer Unit

Part Number/Price

REF #	PART #	DESCRIPTION	QTY	SYNONYM	PRICE
56	Consult	Bush	1	075-1324-01	\$4.00
57	Consult	Bush	1	075-1325-04	\$4.00
58	Consult	Bush	1	075-1321-00	\$4.00
59	172643	Bearing, radial	2	065-6920-00	\$4.00
60	Consult	Frame, printer	1	079-1006-51	\$139.00
61	126451	Reel unit assembly	1	072-5283-04	\$77.00
62	Consult	Lug	1	048-3935-08	\$8.00
63	Consult	Cover, front	1	078-0837-21	\$5.00
64	172652	Spring, coil, compressive	1	079-1005-20	\$6.00
65	Consult	Hinge	1	013-9941-09	\$21.00
—	Consult	Screw, counter sink, M3x8	6		Consult
66	169768	Bracket assembly, printer	1	078-0997-41	\$25.00
67	Consult	Bracket, printer, thermal	1	078-0996-20	\$16.00
68	Consult	L plate A, spring, support	1	078-0994-04	\$3.00
69	Consult	Stay, head, thermal	1	078-0993-29	\$3.00
70	Consult	Plate B, press head	1	078-0992-16	\$5.00
71	Consult	Bracket, switch, head	1	078-0836-09	\$4.00
72	Consult	Guide, printer, lower	1	078-0986-04	\$6.00
73	Consult	Crank plate A, spring	1	091-2164-04	\$3.00
74	Consult	L plate, printer, lower	2	076-1951-03	\$2.00
75	Consult	Frame, printer, R	1	078-0839-28	\$118.00
76	Consult	Frame, printer, L	1	078-0843-32	\$156.00
81	167123	Bracket, printer, sensor	1	079-1226-17	\$5.00
82	167124	Shaft	1	072-5079-29	\$5.00
83	167125	Spring, plate	1	079-1227-01	\$10.00
84	167126	Bracket, sensor	1	072-5086-43	\$7.00
85	167127	Holder, sensor	1	076-1988-01	\$3.00
86	167128	Cover, sensor	2	078-0984-16	\$6.00
87	Consult	Cover, head	1	078-0840-31	\$20.00
88	Consult	Lug	1	073-5832-06	\$4.00
89	159595	Catch, magnet	1	072-8605-01	\$5.00
90	Consult	Cover, side	1	078-0841-35	\$48.00
92	Consult	Gasket	1	065-1825-01	\$3.00
93	Consult	Collar spacer	2	041-1695-06	\$1.00
95	172667	Spring, coil, compressive	3	072-8616-01	\$5.00
96	187470	Screw, cross pan head	2	090-5431-02	\$2.00
97	187471	Plain washer	2	090-5432-06	\$2.00
98	187472	Spring washer	2	090-5433-00	\$2.00
100	187473	Collar B	6	079-8972-09	\$12.00
101	187474	Block A, assist	3	091-8679-07	\$9.00
102	187475	Collar A	1	095-9235-00	\$16.00
500	98652	PWB, P-925-1, thermal print head junction board (A180)	1	068-9930-19	\$45.00
501	87531	Printer head, thermal (E180)	1	094-0086-01	\$253.00
502	105979	Magnet, green, head up proximity switch (B101)	1	067-2609-01	\$17.00
503	87534	Photo interruptor, trans, peel sensor, right (B104)	1	064-5587-01	\$12.00
—	189088	Screw, mount, phillips pan head, M2x4 SST	4	000-000-0067-00	\$2.00
504	87535	Photo interruptor, trans, receive, peel sensor, left (B105)	1	066-4500-09	\$12.00
505	112867	Harness, C2, thermal head	1	071-4583-38	\$59.00
506	132029	Harness, C2, sensor junction	1	071-4549-31	\$5.00
507	102190	Sensor assembly, label gap sensor (B102, B103)	1	098-8086-00	\$31.00
508	105978	Sensor assembly, head up (B100)	1	098-8087-12	\$29.00
510	Consult	Sheet, set, printer	1	106-6698-09	\$48.00

Ishida WM-4000

Printer Unit



- B100 - Head up proximity sensor assembly
- B101 - Head up proximity switch, magnet, green
- B102 - Label gap sensor assembly, receiver, black
- B103 - Label gap sensor assembly, emitter, red
- B104 - Peel sensor, transmitter, right
- B105 - Peel sensor, receiver, left

Roll Holding Unit, Left

Part Number/Price

REF #	PART #	DESCRIPTION	QTY	SYNONYM	PRICE
1	Consult	Bracket, brake	1	079-3133-11	\$23.00
2	Consult	Shaft, clutch	1	079-3138-10	\$41.00
3	48174	Bearing, radial, deep groove	1	004-1478-00	\$14.00
4	70134	Clutch, one way	1	012-3206-05	\$45.00
5	Consult	Timing pulley, S5M, AF	1	076-1760-09	\$20.00
6	Consult	Timing pulley, P5M, AF	1	076-1758-01	\$19.00
7	Consult	Washer, thrust	1	033-2667-01	\$2.00
8	187788	Timing belt, SP5M	1	073-7255-04	\$43.00
9	Consult	Bracket, roll hold	1	070-5275-28	\$13.00
10	Consult	Bearing unit, flange	1	026-7543-03	\$34.00
11	172616	Bearing, radial, deep groove	1	057-0387-08	\$36.00
12	Consult	Timing pulley, P5M, AF	1	073-7223-05	\$29.00
13	174465	Brake assembly, film roll (Y2)	1	076-1966-09	\$208.50
14	Consult	Accessory, clamp, CKS clamp	1	032-9012-00	\$2.00
15	Consult	Timing belt, S5M	1	045-4371-00	\$11.00
16	Consult	Bracket, motor, roll, drive	1	069-2330-43	\$14.00
17	Consult	Timing pulley S5M, AF	1	073-7225-02	\$22.00
18	184829	Motor, DC brushless (M11)	1	070-1423-00	\$208.00
19	172557	Gear head	1	055-9082-01	\$217.00

Price and availability confirmation recommended

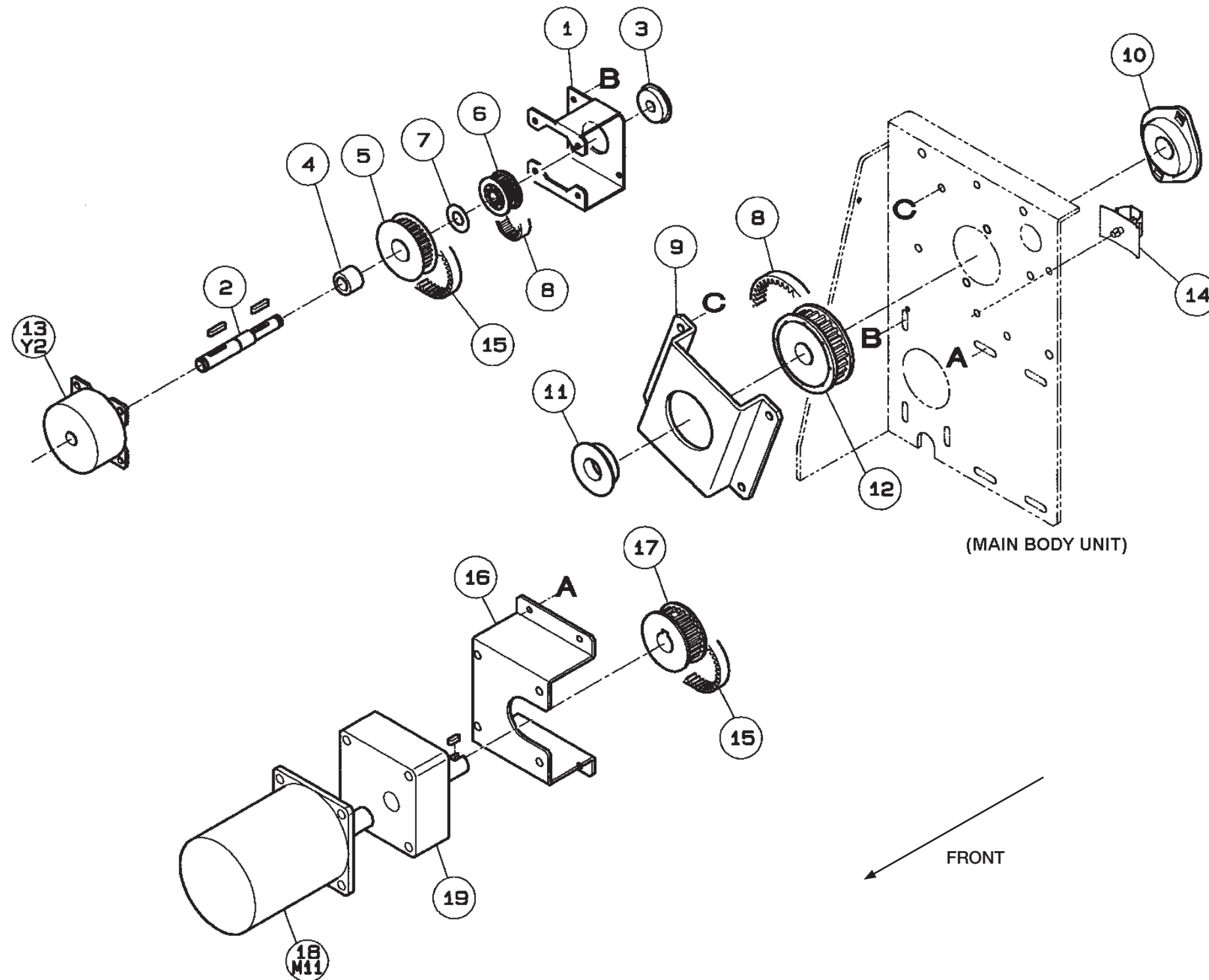
An ISO 9001 Registered Company ©2026 Rice Lake Weighing Systems 1/26 Prices and specifications subject to change without notice. Visit ricelake.com for current prices.

RICE LAKE
WEIGHING SYSTEMS

Discontinued Products

Ishida WM-4000

Roll Hold Unit, Left



Roll Holding Unit, Right

Part Number/Price

REF #	PART #	DESCRIPTION	QTY	SYNONYM	PRICE
1	Consult	Bracket, brake	1	079-3132-18	\$23.00
2	Consult	Shaft clutch	1	079-3138-10	\$41.00
3	48174	Bearing, radial, deep groove	1	004-1478-00	\$14.00
4	70134	Clutch, one way	1	012-3206-05	\$45.00
5	Consult	Timing pulley, S5M, AF	1	076-1760-09	\$20.00
6	Consult	Timing pulley, P5M, AF	1	076-1758-01	\$19.00
7	Consult	Washer, thrust	1	033-2667-01	\$2.00
8	187788	Timing belt, SP5M	1	073-7255-04	\$43.00
9	Consult	Timing belt, S5M	1	045-4371-00	\$11.00
10	Consult	Bracket, motor, roll drive	1	069-2330-43	\$14.00
11	Consult	Timing pulley, S5M, AF	1	073-7225-02	\$22.00
12	Consult	Bracket, roll hold	1	070-5275-28	\$13.00
13	Consult	Bearing unit, flange	1	026-7543-03	\$34.00
14	172616	Bearing, radial, deep groove	1	057-0387-08	\$36.00
15	Consult	Timing pulley, P5M, AF	1	073-7223-05	\$29.00
16	184829	Motor, DC brushless (M2)	1	070-1423-00	\$208.00
17	172557	Gear head	1	055-9082-01	\$217.00
18	174465	Brake assembly, film roll (Y1)	1	076-1967-02	\$208.50

Price and availability confirmation recommended

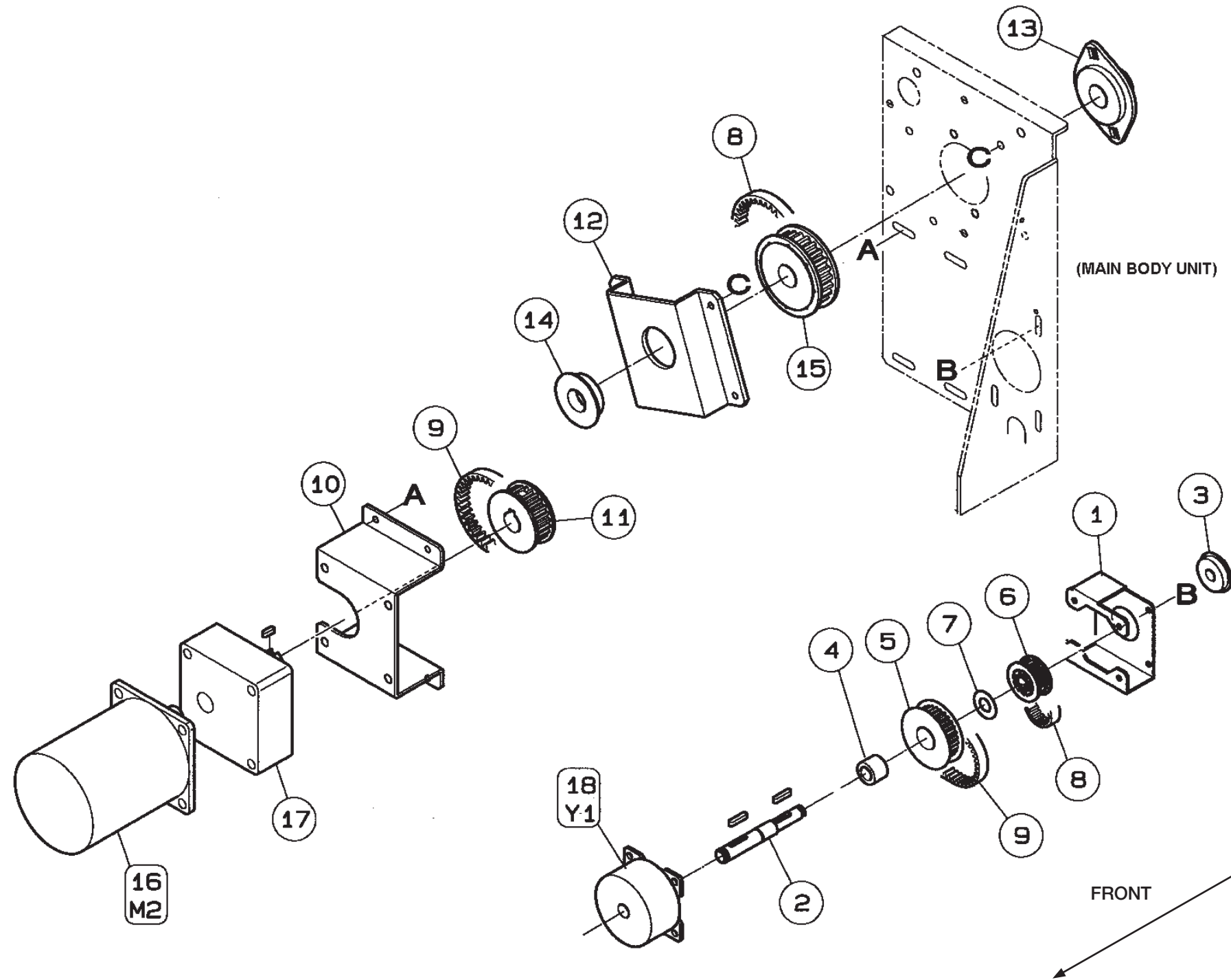
An ISO 9001 Registered Company ©2026 Rice Lake Weighing Systems 1/26 Prices and specifications subject to change without notice. Visit ricelake.com for current prices.

RICE LAKE
WEIGHING SYSTEMS

Discontinued Products

Ishida WM-4000

Roll Hold Unit, Right



Scale Unit

Part Number/Price

REF #	PART #	DESCRIPTION	QTY	SYNONYM	PRICE
1	Consult	Case, scale, lower	1	042-4923-03	\$69.00
2	Consult	Collar	4	076-9992-05	\$4.00
3	Consult	Support weigh	1	072-8825-12	\$16.00
4	Consult	Base, weigh	1	045-3530-01	\$31.00
5	47030	Load cell assembly unit, CLC-25N (B290)	1	047-3068-01	\$404.00
6	184704	Support, weigh, front	1	073-7128-13	\$36.00
7	Consult	PWB accessory, card spacer	1	043-1633-00	\$5.00
8	Consult	Bracket, level	1	073-7200-19	\$27.00
9	172672	Level assembly	1	011-2854-08	\$21.00
11	Consult	Plate B, back plate	1	079-1295-14	\$2.00
12	Consult	Accessory, bush, cable	1	074-7145-05	\$2.00
13	Consult	Case, scale, upper	1	042-4922-19	\$45.00
14	78711	Seal	1	046-2413-02	\$3.00
15	91178	Seal, rivet	2	040-9585-01	\$11.00
16	Consult	Case, scale, cover	1	042-4918-22	\$9.00
18	189309	Supporter, platter	1	040-6759-48	\$38.00
22	Consult	Cover, circuit board, scale	1	108-0293-07	\$66.00
23	186547	Filter, ferrite (E290)	1	044-2730-09	\$11.00
25	157921	Weigh platter assembly	1	090-0950-10	\$59.00
29	98401	PWB, P-930, A/D board (A290)	1	070-3480-73	\$315.00
30	131364	Harness, C4, scale communication	1	071-4657-58	\$69.00
31	186416	Filter, ferrite core	1	074-0771-01	\$11.00
32	Consult	Name plate, specification	1	106-6705-01	Consult

Price and availability confirmation recommended

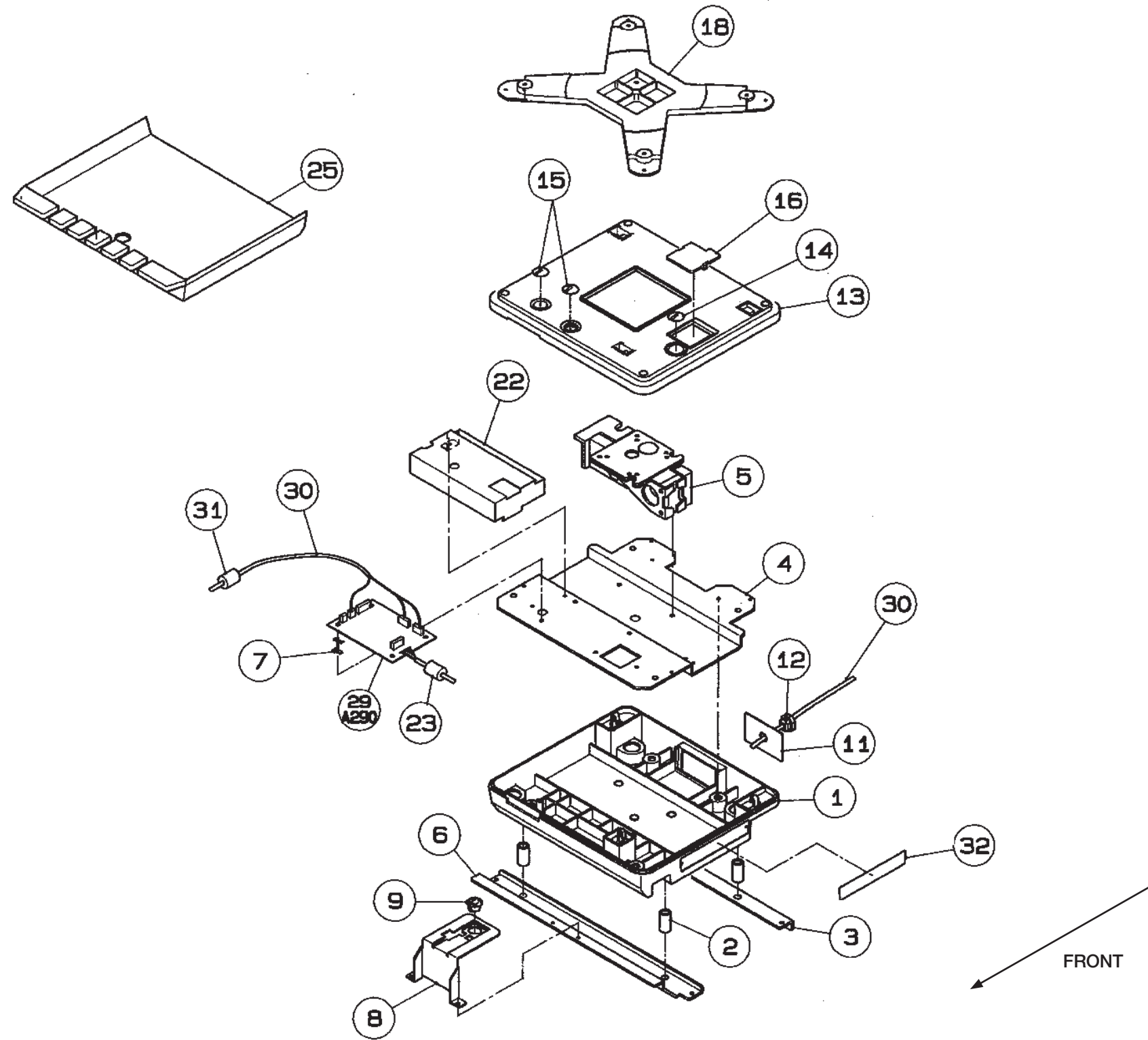
An ISO 9001 Registered Company ©2026 Rice Lake Weighing Systems 1/26 Prices and specifications subject to change without notice. Visit ricelake.com for current prices.

RICE LAKE
WEIGHING SYSTEMS

Discontinued Products

Ishida WM-4000

Scale Unit



Sealing Heater Control Unit

Part Number/Price

REF #	PART #	DESCRIPTION	QTY	SYNONYM	PRICE
1	Consult	Frame, power	1	090-0655-48	\$109.00
2	157894	PWB, P-922A-1 (A5)	1	068-9900-35	\$164.00
3	Consult	Buzzer assembly (H1)	1	069-4694-37	\$20.00
4	157895	Relay, solid state (K3, K4)	2	073-7118-07	\$34.00
7	72857	Fuse holder, terminal	2	000-4119-04	\$11.00
8	72856	Fuse holder, terminal type	4	040-2724-07	\$11.00
9	Consult	Harness, C15, power AC	1	117-3487-05	\$71.00
10	Consult	Harness, C4, PS AC	1	072-2253-11	\$19.00
11	Consult	Harness, C6, PS AC	1	090-0689-08	\$14.00
13	116273	Electromagnetic, main surge (Z1)	1	069-2404-09	\$51.00
14	Consult	Harness, C8, PS AC	1	072-2284-25	\$20.00
15	47075	Fuse, glass tube, 5A, 250V, 3AG (F1, F2, F5, F6)	4	033-3882-09	\$4.00
16	116272	Electromagnetic contactor (K1)	1	069-2402-01	\$82.00
17	116274	Electromagnetic, coil surge (Z2)	1	072-2108-04	\$34.00
18	Consult	Harness, C2, ground	1	072-2104-28	\$2.00
19	Consult	Harness, C3, heater	1	072-2233-25	\$6.00
20	Consult	Harness, C5, heater	1	072-2232-12	\$8.00
21	Consult	Harness, S1, PS short circuit	1	072-2121-03	\$3.00
23	Consult	Harness, C4, communication	1	072-2237-20	\$20.00
24	Consult	Harness, C6, sensor	1	076-1911-04	\$22.00
25	Consult	Harness, C21, SW left	1	079-3433-46	\$55.00
26	Consult	Fuse, glass tube (F3, F4)	2	072-2465-04	\$3.00
27	47027	PWB accessory, card spacer	4	000-1796-05	\$2.00
28	Consult	Accessory, clamp, LWS clamp	14	073-7214-01	\$1.00
30	Consult	L plate B, PS, lower	1	108-0247-05	\$58.00
31	Consult	L plate B, PS	1	108-0246-01	\$58.00
32	Consult	Terminal assembly, block	1	072-2290-00	\$14.00
34	Consult	Harness, C6, power AC	1	108-0294-10	\$27.00

Price and availability confirmation recommended

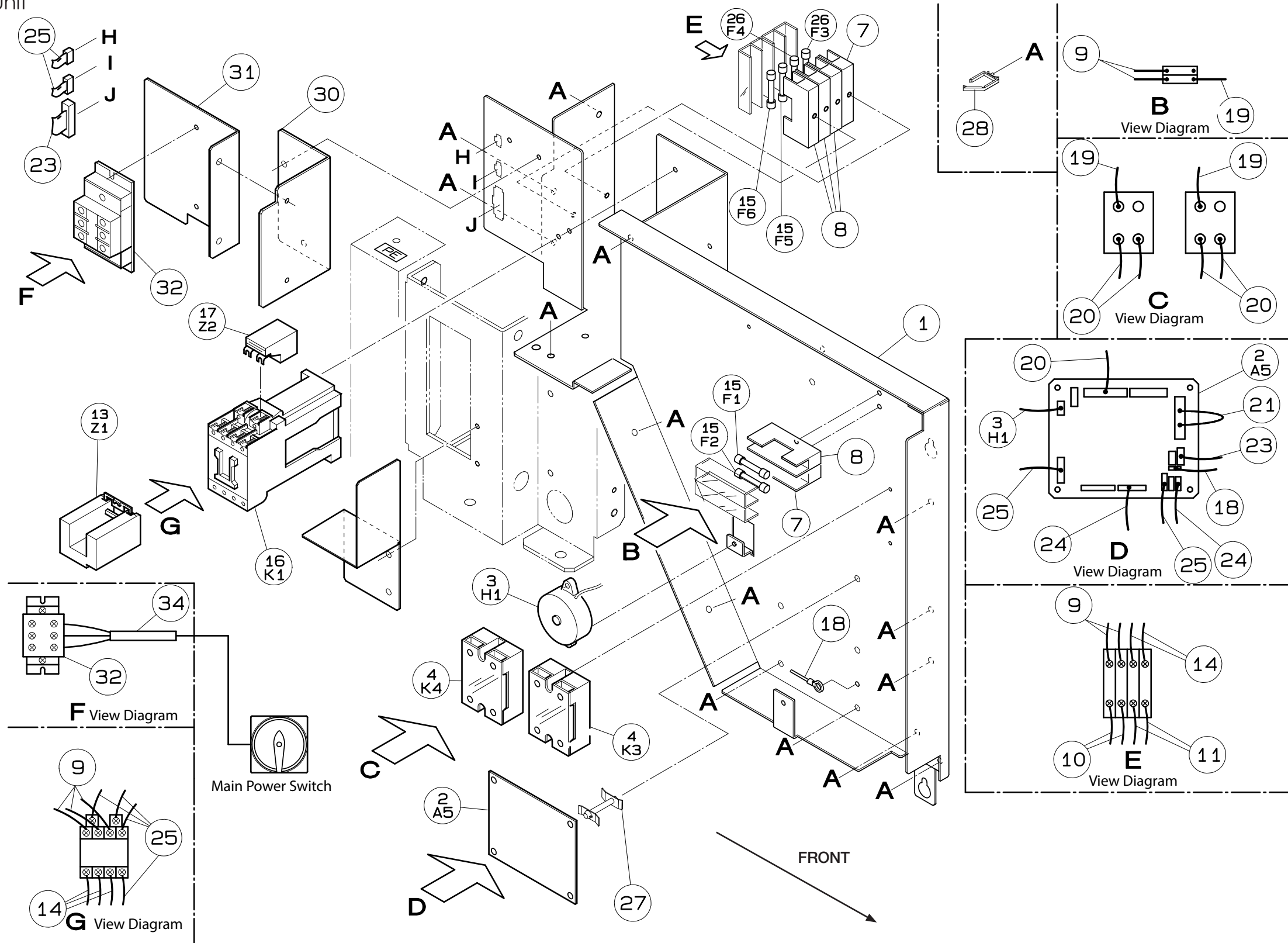
An ISO 9001 Registered Company ©2026 Rice Lake Weighing Systems 1/26 Prices and specifications subject to change without notice. Visit ricelake.com for current prices.

RICE LAKE
WEIGHING SYSTEMS

Discontinued Products

Ishida WM-4000

Sealing Heater Control Unit



Stock Conveyor Unit

Part Number/Price

REF #	PART #	DESCRIPTION	QTY	SYNONYM	PRICE
1	Consult	Bracket, stock	1	076-1725-26	\$71.00
2	Consult	Supporter, stock	1	076-1722-25	\$17.00
3	Consult	Bush	4	030-2991-06	\$2.00
4	Consult	Shaft, stock, fulcrum	1	076-1723-01	\$12.00
5	Consult	Stay, stock	1	076-1724-31	\$90.00
6	Consult	Frame, stock	1	076-1743-32	\$109.00
7	Consult	Frame, stock	1	076-1744-36	\$109.00
8	Consult	Stay, stock, lower	1	076-1737-21	\$35.00
9	Consult	Shaft, stock	4	076-1746-15	\$19.00
10	156690	Stopper, tray	1	076-1733-26	\$107.00
12	Consult	Adjuster, stock	1	076-1735-23	\$52.00
13	Consult	Adjuster, stock	1	076-1736-27	\$52.00
14	Consult	Shaft	6	076-7814-08	\$16.00
15	187408	Roller, textured	6	037-7887-10	\$50.00
16	Consult	Cover, roller, stock	1	077-4522-16	\$17.00
17	Consult	Cover, roller, stock	1	077-4523-10	\$17.00
18	157862	Roller	8	001-5308-02	\$41.50
19	Consult	Holder, roller	2	076-1745-21	\$15.00
20	Consult	Bracket, stopper, fulcrum	1	076-1721-12	\$27.00
21	Consult	Shaft, stopper, fulcrum	1	076-1720-00	\$9.00
22	185561	Stopper, stock	1	076-1719-23	\$123.00
23	Consult	Bracket, sensor	1	076-1739-28	\$17.00
24	Consult	Rubber pad, with washer	3	062-7341-05	\$2.00
25	157856	Photo interruptor, trans, conveyor up/down, black conn. (B310)	1	070-5205-18	\$14.00
26	72407	Sensor assembly, conveyor full (B311)	1	076-9523-11	\$185.00
27	Consult	Harness, S2, ground	1	076-9602-11	\$4.00
28	Consult	Accessory, clamp, LWS clamp	2	073-7212-04	\$1.00
29	Consult	Accessory, bush, open lock	1	003-3135-02	\$2.00
32	Consult	Lug, handle insert	1	076-9693-01	\$3.00
33	Consult	Seal, signal, caution	2	054-2104-15	\$2.00

Price and availability confirmation recommended

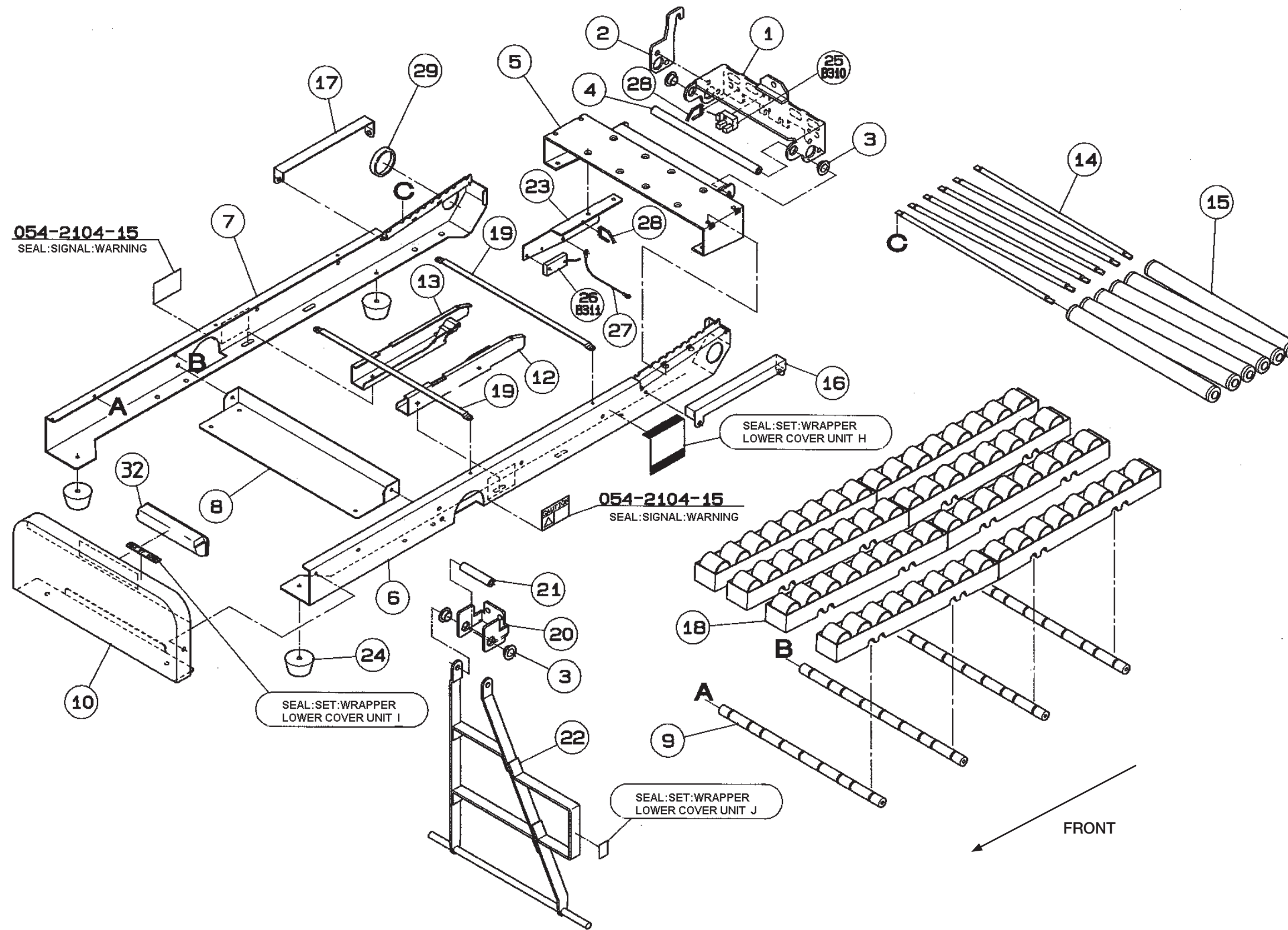
An ISO 9001 Registered Company ©2026 Rice Lake Weighing Systems 1/26 Prices and specifications subject to change without notice. Visit ricelake.com for current prices.

RICE LAKE
WEIGHING SYSTEMS

Discontinued Products

Ishida WM-4000

Stock Conveyor Unit



B310 - Conveyor up/down
 B311 - Conveyor full

Transformer Unit

Part Number/Price

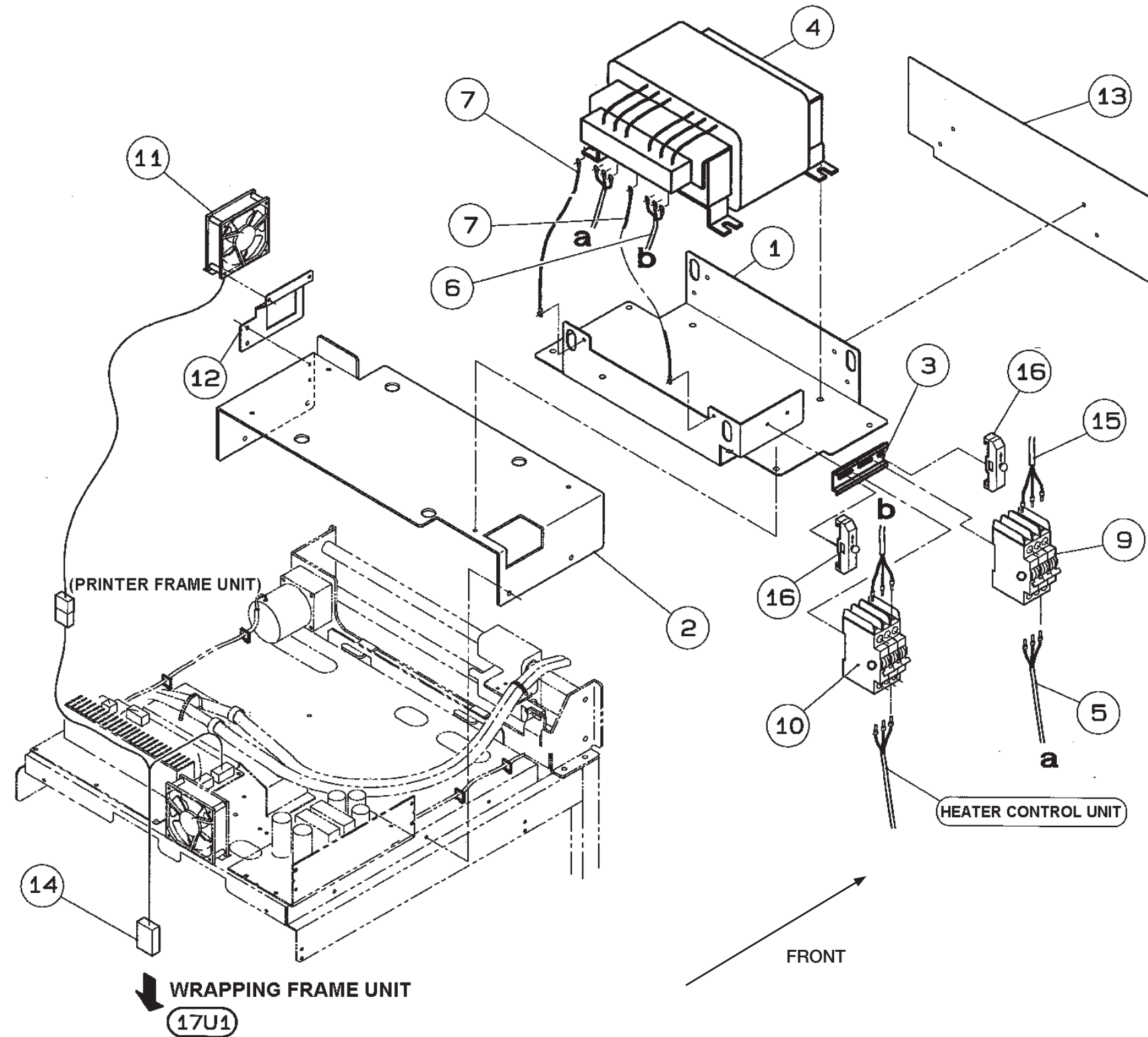
REF #	PART #	DESCRIPTION	QTY	SYNONYM	PRICE
1	Consult	Bracket, transformer, PS	1	117-3151-04	Consult
2	Consult	Base, transformer	1	103-3573-13	\$82.00
3	Consult	Rail, DIN	1	018-2824-07	\$9.00
4	Consult	Transformer, 3 PH	1	116-1836-07	\$1,456.00
5	Consult	Harness, C6, PS	1	117-3485-08	\$24.00
6	Consult	Harness, C6, PS	1	117-3486-01	\$22.00
7	Consult	Harness, S2, ground	2	053-8930-01	\$3.00
9	Consult	Breaker	1	117-3291-02	\$128.00
10	Consult	Breaker	1	117-3292-06	\$109.00
11	Consult	Fan assembly	1	108-0398-04	\$79.00
12	Consult	Bracket, fan	1	108-0230-02	\$69.00
13	Consult	Plate B transformer	1	108-0244-04	\$69.00
14	Consult	Harness, C3, PS motor	1	108-3560-02	\$26.00
15	Consult	Harness, S6, power AC	1	117-3484-04	\$33.00
16	Consult	Accessory, attachment, terminal	2	061-1520-06	\$2.00

Price and availability confirmation recommended

An ISO 9001 Registered Company ©2026 Rice Lake Weighing Systems 1/26 Prices and specifications subject to change without notice. Visit ricelake.com for current prices.

Ishida WM-4000

Transformer Unit



ISHIDA WM-4000

Tray Press Unit

Part Number/Price

REF #	PART #	DESCRIPTION	QTY	SYNONYM	PRICE
1	161723	Link assembly, tray press	1	072-2471-16	\$184.00
2	176917	Bracket, roller, tray press	1	090-0969-01	\$10.00
3	176918	U plate B, press roller	1	090-0997-05	\$4.50
4	176919	Roller, tray press	5	090-0964-02	\$3.00
5	176920	Roller, tray press, orange foam	5	072-2154-15	\$18.00
6	176921	Pin, roller, tray press	5	090-0968-07	\$6.00
7	161701	Gear, tray press	1	073-7245-07	\$191.00
8	Consult	Bearing, radial, flange	1	006-8475-09	\$11.00
9	Consult	Bracket, drive, tray press	2	079-3176-21	\$13.00
10	Consult	Motor assembly tray press (M14)	1	090-0788-03	\$187.00
11	Consult	Frame, tray press	1	079-3494-34	\$101.00
12	174029	Sheet, tray press	1	093-5079-06	\$33.00
13	174030	Sheet, tray press	1	093-5080-01	\$33.00

Discontinued Products

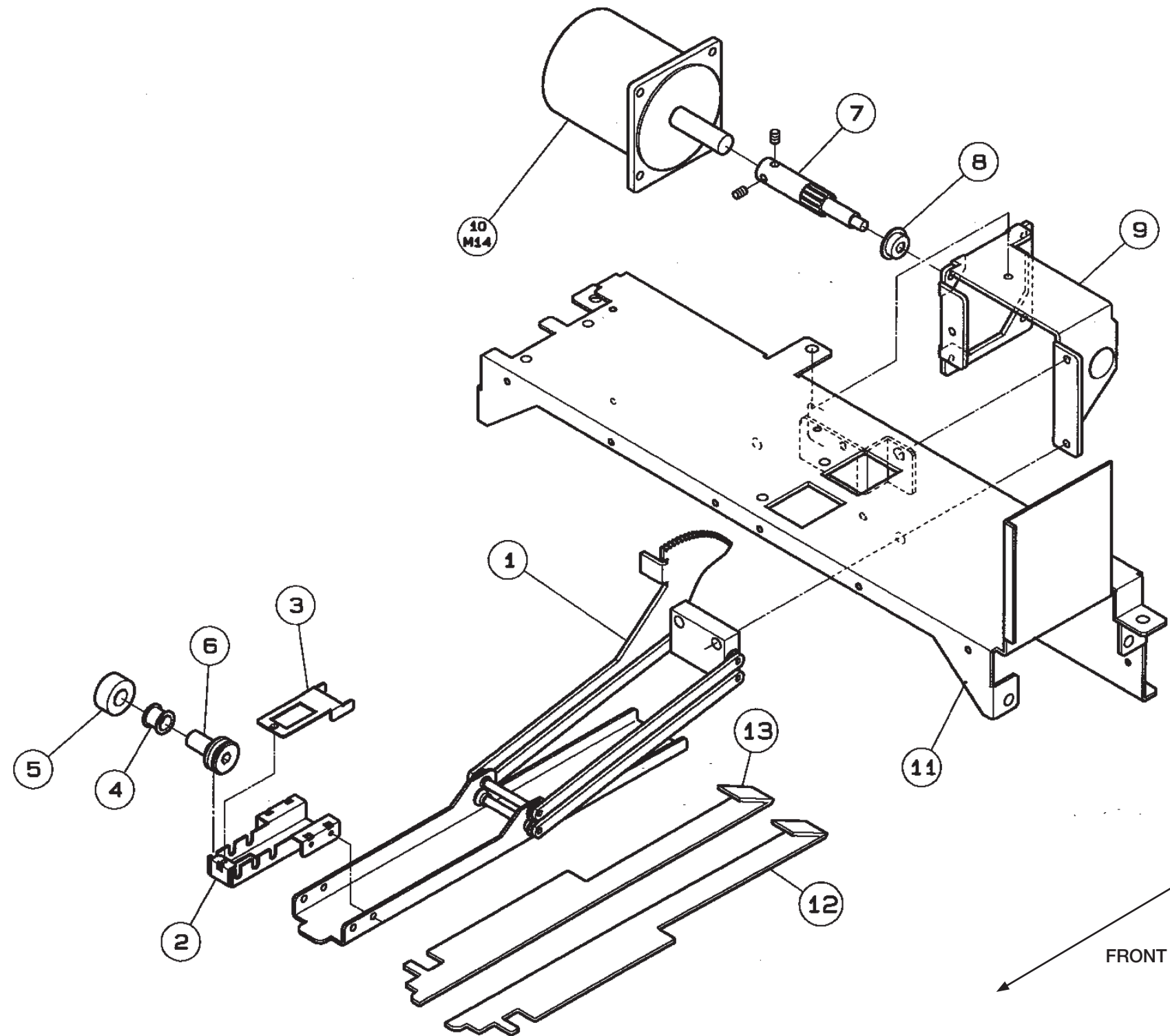
Price and availability confirmation recommended

An ISO 9001 Registered Company ©2026 Rice Lake Weighing Systems 1/26 Prices and specifications subject to change without notice. Visit ricelake.com for current prices.

RICE LAKE
WEIGHING SYSTEMS

Ishida WM-4000

Tray Press Unit



Wrapping Control Unit

Part Number/Price

REF #	PART #	DESCRIPTION	QTY	SYNONYM	PRICE
1	Consult	Bracket, ground, brushless	1	090-0616-24	\$16.00
3	Consult	Frame, PWB, wrapper	1	090-0618-59	\$158.00
4	157855	Controller, motor, stepping (E12)	1	072-2102-02	\$215.00
5	157884	Controller, motor, stepping (E13)	1	072-2103-06	\$203.00
6	157858	Controller, motor, DC brushless, K0287D (E3, E4)	2	070-1417-07	\$251.00
7	157859	Controller, motor, DC brushless, K0288D (E5, E8)	2	070-1418-01	\$251.00
8	157860	Controller, motor, DC brushless, K0294D (E2, E7)	2	070-1419-04	\$243.50
9	157861	Controller, motor, DC brushless, K0295D (E6, E9)	2	070-1420-09	\$251.00
10	157914	PWB, P-920A (A1)	1	067-6948-71	\$465.00
11	Consult	Harness, C22, power AC	1	108-8161-08	\$123.00
12	Consult	Harness, C3, DC brushless	1	069-6912-36	\$23.00
13	Consult	Harness, C3, DC brushless	1	069-6913-30	\$22.00
14	Consult	Harness, C3, DC brushless	1	069-6914-33	\$20.00
15	Consult	Harness, C3, DC brushless	1	069-6915-37	\$20.00
16	Consult	Harness, C6, lift	1	079-3413-14	\$142.00
17	Consult	Harness, C4, stepping	1	070-3056-31	\$15.00
19	Consult	Harness, C2, ground	1	072-2104-28	\$2.00
20	Consult	Terminal assembly, block (X2)	1	072-2290-00	\$14.00
21	Consult	Fan assembly (M16)	1	069-4689-29	\$58.00
22	Consult	Duct, harness	2	073-7108-00	\$7.00
23	Consult	PWB accessory, card spacer	4	073-7207-05	\$1.00
24	47027	PWB accessory, card spacer	9	000-1796-05	\$2.00
25	Consult	Accessory, clamp, LWS clamp	7	073-7214-01	\$1.00
26	Consult	Name plate, explanation	1	101-1882-03	\$7.00

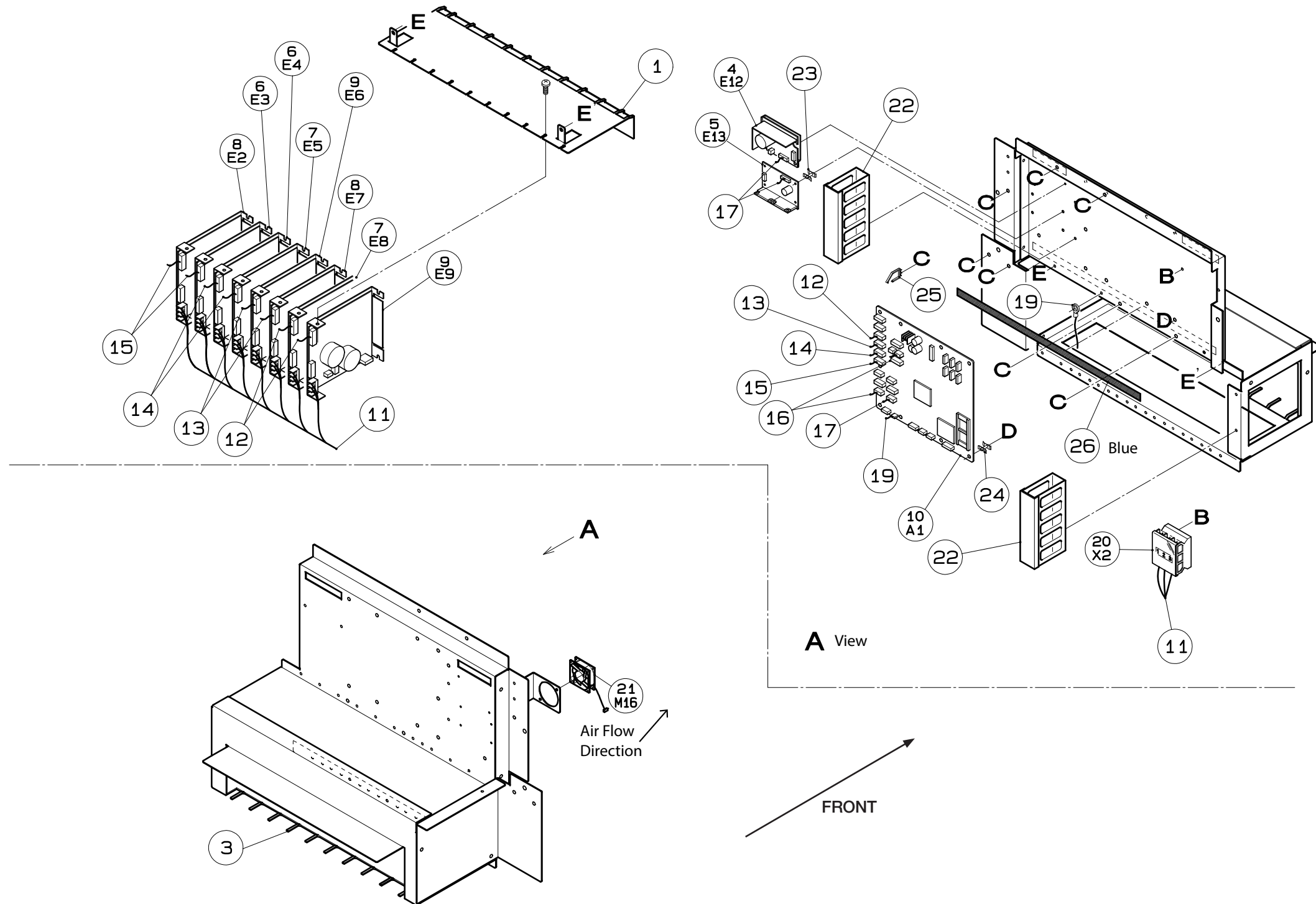
A1	Wrapping Control
E2	Right Film Roll Drive
E3	Right Film Insertion
E4	Front Feeder Move
E5	Rear Feeder Move
E6	Rear Wrapping
E7	Left/Right Wrapping
E8	Discharge Pusher
E9	Feeder
E12	Tray Infeed
E13	Tray Centering

Price and availability confirmation recommended

An ISO 9001 Registered Company ©2026 Rice Lake Weighing Systems 1/26 Prices and specifications subject to change without notice. Visit ricelake.com for current prices.

Ishida WM-4000

Wrapping Control Unit



Wrapping Control Unit Addition

Part Number/Price

REF #	PART #	DESCRIPTION	QTY	SYNONYM	PRICE
1	157858	Controller, motor, DC brushless, K0287D (E10)	1	070-1417-07	\$251.00
4	157860	Controller, motor, DC brushless, K0294D (E11)	1	070-1419-04	\$243.50
5	Consult	Harness, C6, PS AC	1	070-9672-46	\$16.00
6	Consult	Harness, C3, DC brushless	1	069-6911-32	\$25.00

E10	Left Film Insertion
E11	Left Film Roll Drive

Discontinued Products

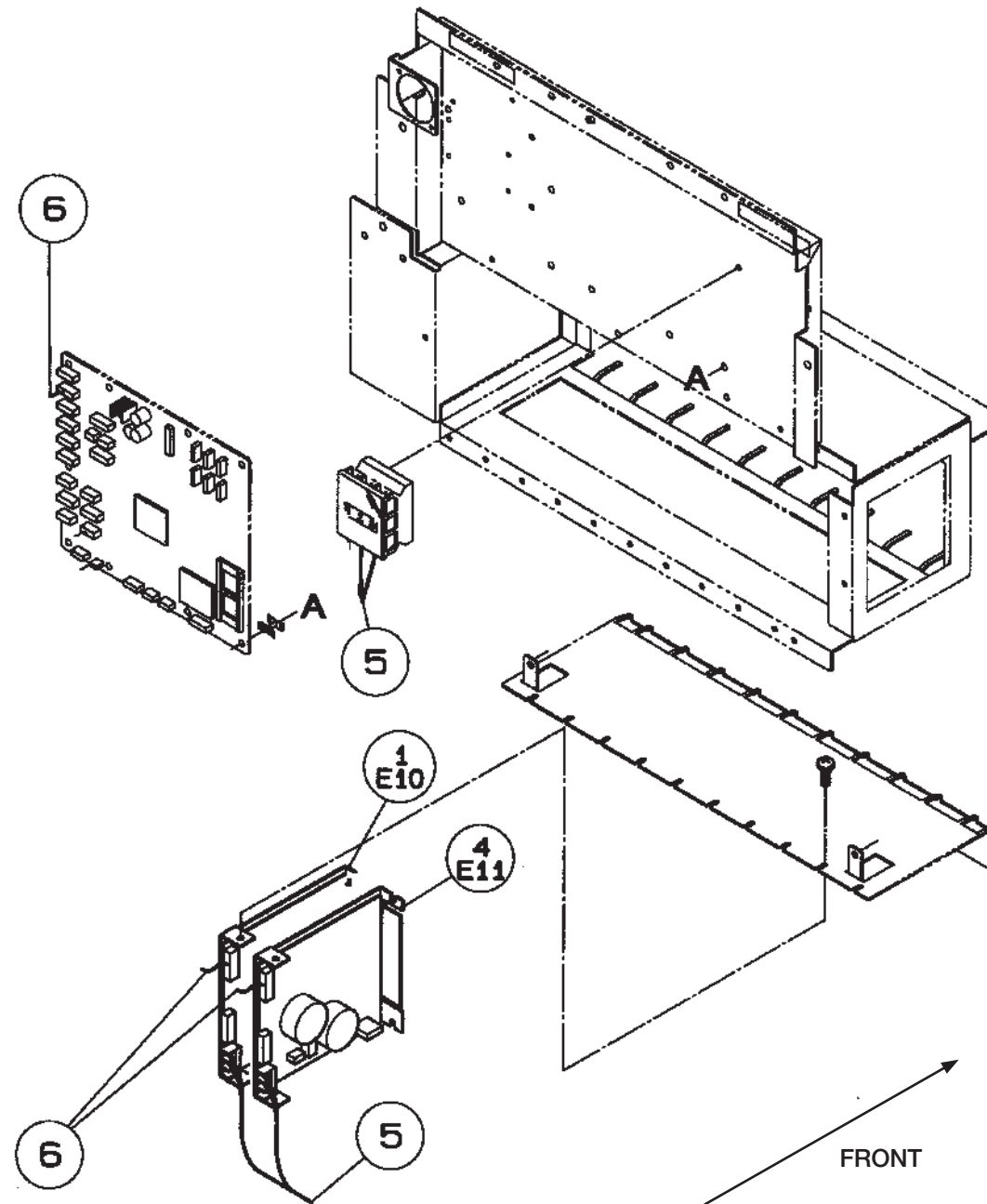
Price and availability confirmation recommended

An ISO 9001 Registered Company ©2026 Rice Lake Weighing Systems 1/26 Prices and specifications subject to change without notice. Visit ricelake.com for current prices.



Ishida WM-4000

Wrapping Control Unit Addition



Wrapping Front/Rear Unit

Part Number/Price

REF #	PART #	DESCRIPTION	QTY	SYNONYM	PRICE
1	Consult	Shaft, drive, R stop	1	069-2340-13	\$52.00
2	108171	Block B, slide, fold	2	076-3392-09	\$11.00
3	Consult	Detect plate R fold	1	070-5343-19	\$4.00
4	Consult	Block A, link fold	1	069-2355-00	\$12.00
5	Consult	Arm R stop	2	069-2356-40	\$55.00
6	Consult	Block B, link, drive	1	090-0949-06	\$11.00
7	Consult	Plate B, link, fold	2	090-0995-08	\$7.00
8	157951	Plate B, R fold	1	098-3272-17	\$221.00
9	Consult	Plate B, motor, R fold	1	070-5341-02	\$22.00
10	89101	Bush	8	002-5807-01	\$7.00
11	157949	Bush	2	042-4847-31	\$38.00
12	83314	Collar	2	042-4848-16	\$8.00
13	Consult	Collar	2	002-7306-00	\$5.00
14	Consult	Motor, DC brushless (M6)	1	101-1710-06	\$191.00
15	Consult	Gear head	1	070-5253-08	\$148.00
16	108172	Pin, step, fold	2	073-7117-03	\$11.00
17	157898	Shaft, step, R fold	1	098-3136-13	\$37.00
18	157950	Holder, shaft	2	098-3131-06	\$5.00
19	104239	Photo interrupter, transmitter, home position, white conn. (B6)	1	070-5204-14	\$12.00

Price and availability confirmation recommended

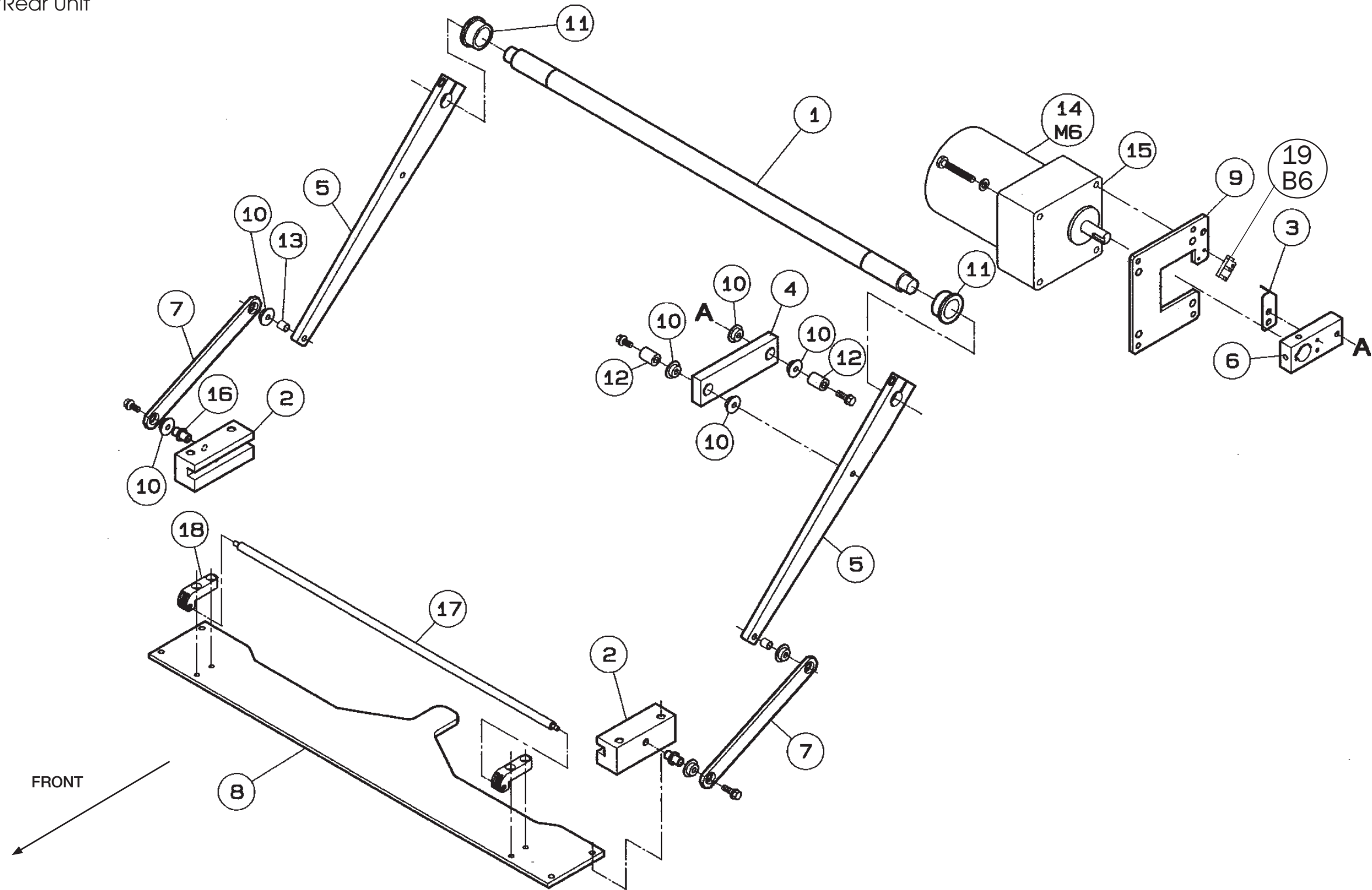
An ISO 9001 Registered Company ©2026 Rice Lake Weighing Systems 1/26 Prices and specifications subject to change without notice. Visit ricelake.com for current prices.

RICE LAKE
WEIGHING SYSTEMS

Discontinued Products

Ishida WM-4000

Wrapping Front/Rear Unit



B6 - Rear folder home position

Wrapping Left/Right Unit

Part Number/Price

REF #	PART #	DESCRIPTION	QTY	SYNONYM	PRICE
1	Consult	Shaft, linear	1	069-2341-08	\$72.00
3	Consult	Housing, F, S	2	076-1759-04	\$18.00
4	174461	Plate B, s-fold, right	1	091-0718-19	\$121.00
5	174463	Plate B, s-fold, left	1	091-0719-12	\$121.00
6	Consult	Bracket, joint, s-fold	1	098-3143-01	\$52.00
7	Consult	Bracket, joint, s-fold	1	098-3144-04	\$52.00
8	Consult	Detect plate s-fold	1	076-9982-08	\$7.00
9	Consult	Holder, link, s-fold	1	079-1251-20	\$24.00
10	Consult	Arm, link, s-fold	2	076-9834-00	\$8.00
11	Consult	Bush	4	030-2989-08	\$2.00
12	Consult	Bracket, motor, s-fold	1	076-9984-05	\$52.00
14	Consult	Frame, heater	1	070-1142-59	\$15.00
15	153628	Bush	8	028-1523-01	\$3.00
16	132034	Shaft step type	2	072-2148-03	\$37.00
17	Consult	Shaft, linear	1	072-2149-07	\$65.00
18	Consult	Housing, linear	2	073-7222-01	\$21.00
19	157899	Bearing, linear bush	4	068-5132-00	\$21.00
20	157900	Bearing, linear bush	4	069-4929-04	\$27.00
21	Consult	Collar	2	076-9981-13	\$4.00
22	Consult	Bracket, heater	1	091-0579-09	\$32.00
23	Consult	Motor assembly, DC brushless (M7)	1	101-1563-05	\$202.00
24	Consult	Gear head	1	055-9083-04	\$145.00
25	153654	Bush (included with #29)	4	070-5375-09	\$8.00
26	125701	Solenoid assembly, heater guard (L20, L21)	2	073-7078-01	\$31.00
27	181316	Bracket, thermistor	1	070-5234-71	\$14.00
28	Consult	Block B, heater, right	1	076-1830-06	\$19.00
29	153655	Roller assembly, rotation, heater (includes #25)	2	112-6814-04	\$149.00
30	Consult	Block B, heater, left	1	076-1829-11	\$24.00
31	153657	Thermistor assembly heater front (R1), 3.1K ohm	1	072-2291-03	\$28.00
32	157920	Thermistor assembly heater rear (R2), 3.1K ohm	1	072-2292-07	\$28.00
33	Consult	Plate B, heater	2	076-1962-13	\$4.00
34	160473	Heater rear (seal bar element) (E15)	1	072-2147-37	\$185.00
--	168478	Thermal fuse (TCO) 10A, 250V, 152C	1		\$3.00
35	160474	Heater front (seal bar element) (E14)	1	072-2146-33	\$185.00
--	168478	Thermal fuse (TCO) 10A, 250V, 152C	1		\$3.00
36	Consult	Cover, thermistor	1	072-2439-25	\$10.00
37	195443	Collar spacer	2	000-9538-00	\$2.00
38	195444	Collar spacer	1	002-5717-00	\$2.00
39	195445	Collar spacer	1	005-4424-07	\$2.00
40	195446	Spring, coil, tension	1	028-4951-03	\$14.00
41	104239	Photo interrupter, transmitter, seal heater cover up/down, white conn. (B20)	1	070-5204-14	\$12.00
42	153653	Washer, thrust	4	073-7143-10	\$9.00
43	153656	O-ring	4	015-8919-07	\$3.00
44	Consult	Block B, link	1	076-1833-07	\$5.00
45	Consult	Plate B, discharge side	2	076-1950-00	\$2.00
46	Consult	Pin, link	1	073-7144-31	\$38.00
47	Consult	Roller, discharge	1	073-7146-20	\$32.00
48	Consult	Roller, discharge	2	073-7147-14	\$31.00
49	Consult	Cover, roller, lower	1	073-7148-27	\$38.00
50	Consult	Shaft, discharge, fulcrum	2	072-2437-00	\$17.00
52	Consult	L plate B, sensor, heater	1	073-7152-22	\$7.00
53	Consult	Bracket, solenoid	1	079-8933-03	\$45.00

Price and availability confirmation recommended

An ISO 9001 Registered Company ©2026 Rice Lake Weighing Systems 1/26 Prices and specifications subject to change without notice. Visit ricelake.com for current prices.

RICE LAKE
WEIGHING SYSTEMS

Discontinued Products

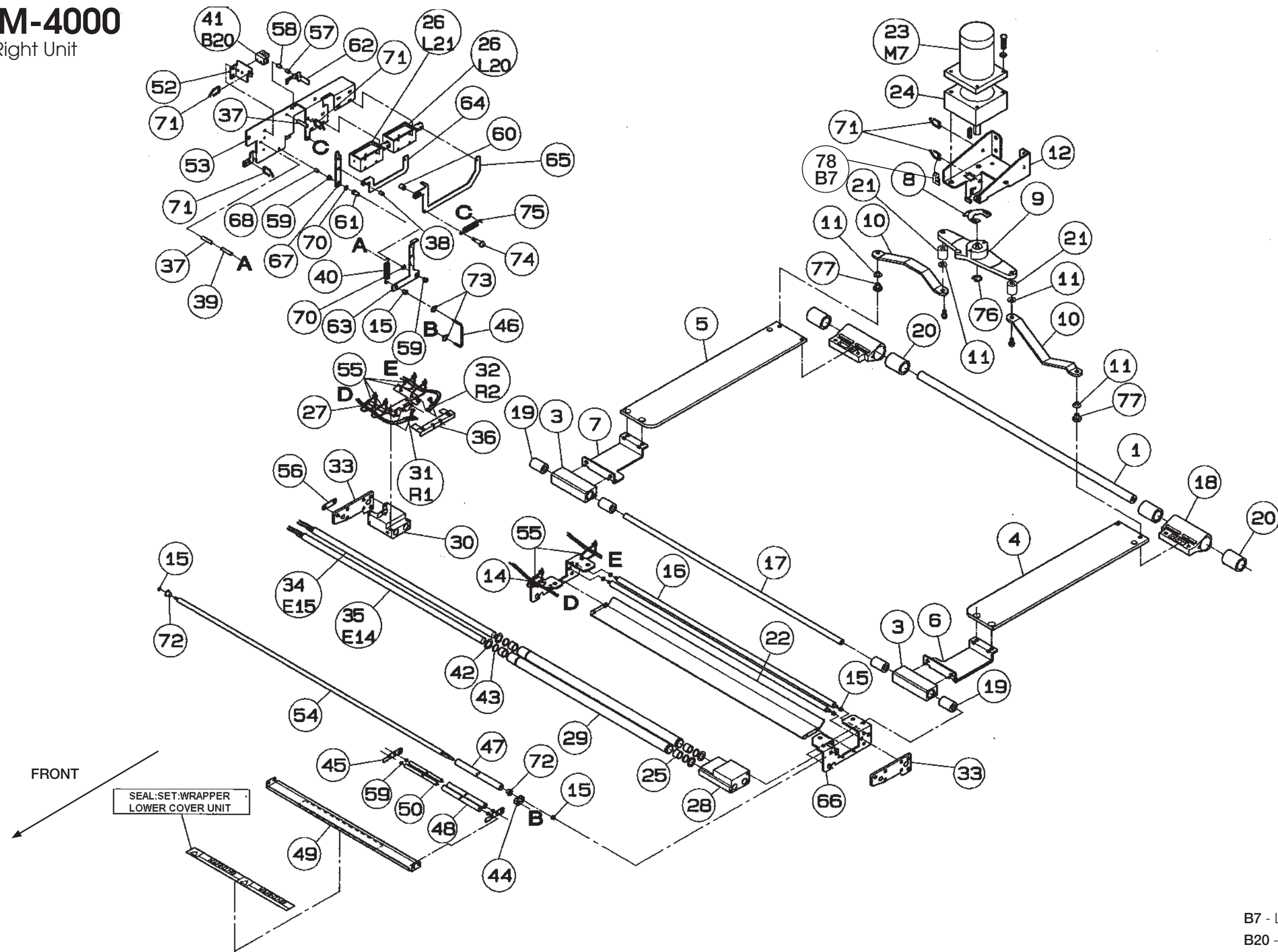
Wrapping Left/Right Unit

Part Number/Price

REF #	PART #	DESCRIPTION	QTY	SYNONYM	PRICE
54	Consult	Shaft, discharge, fulcrum	1	073-7149-02	\$69.00
55	Consult	Accessory, band, tie	6	059-8213-07	\$4.00
56	Consult	Plate A ground	1	072-2438-12	\$4.00
57	Consult	Collar spacer	1	034-2339-06	\$1.00
58	Consult	Collar spacer	1	005-2408-00	\$1.00
59	78083	Bush	6	037-4818-02	\$4.00
60	Consult	Spacer, solenoid	1	073-7471-02	\$7.00
61	Consult	Spacer, link	1	073-7472-24	\$8.00
62	Consult	L plate B, lock, arm	1	073-7473-46	\$10.00
63	Consult	Link, pin	1	073-7475-25	\$8.00
64	Consult	Link, solenoid	1	073-7476-01	\$12.00
65	Consult	Link, solenoid	1	073-7477-13	\$23.00
66	Consult	Frame, heater, fold	1	073-7479-20	\$12.00
67	Consult	Link, solenoid	1	073-7481-00	\$5.00
68	Consult	Collar, fulcrum	1	073-7500-25	\$5.00
70	200490	Plain washer, M8 flat SST, 16 mm O.D.	2	000-0146-01	\$2.00
71	Consult	Accessory, clamp, LWS clamp	5	073-7212-04	\$1.00
72	189208	Bush	2	076-1844-08	\$3.00
73	Consult	Grip ring	2	014-8692-05	\$1.00
74	Consult	Step screw, round, 4 x 12.5 M3X4	1	000-6171-24	\$3.00
75	Consult	Spring, coil, tension	1	016-3614-01	\$1.00
76	Consult	C-ring, for hole	1	090-0841-08	\$1.00
77	Consult	Collar	2	098-3146-01	\$5.00
78	104239	Photo interrupter, transmitter, home position, white conn. (B7)	1	070-5204-14	\$12.00

Ishida WM-4000

Wrapping Left/Right Unit



B7 - Left/right folder home position
 B20 - Seal heater cover up/down

Wrapper Main Body Assembly

Part Number/Price

REF #	PART #	DESCRIPTION	QTY	SYNONYM	PRICE
1	Consult	Frame, main body	1	098-8197-00	Consult
2	Consult	Caster, universal	4	079-3136-03	\$35.00
3	47246	Jack bolt	4	057-0319-04	\$39.00
4	Consult	Hex bolt, bolt and washer assembly, S2P2 M6x12 mm SST	32	040-3859-00	\$1.00
5	Consult	Bracket, caster	4	108-8109-03	\$126.00
6	42725	M6x10 Socket head bolt	16	000-008-5835-00	Consult
999	Consult	Spacer, jack	4	108-8094-01	\$82.00

Discontinued Products

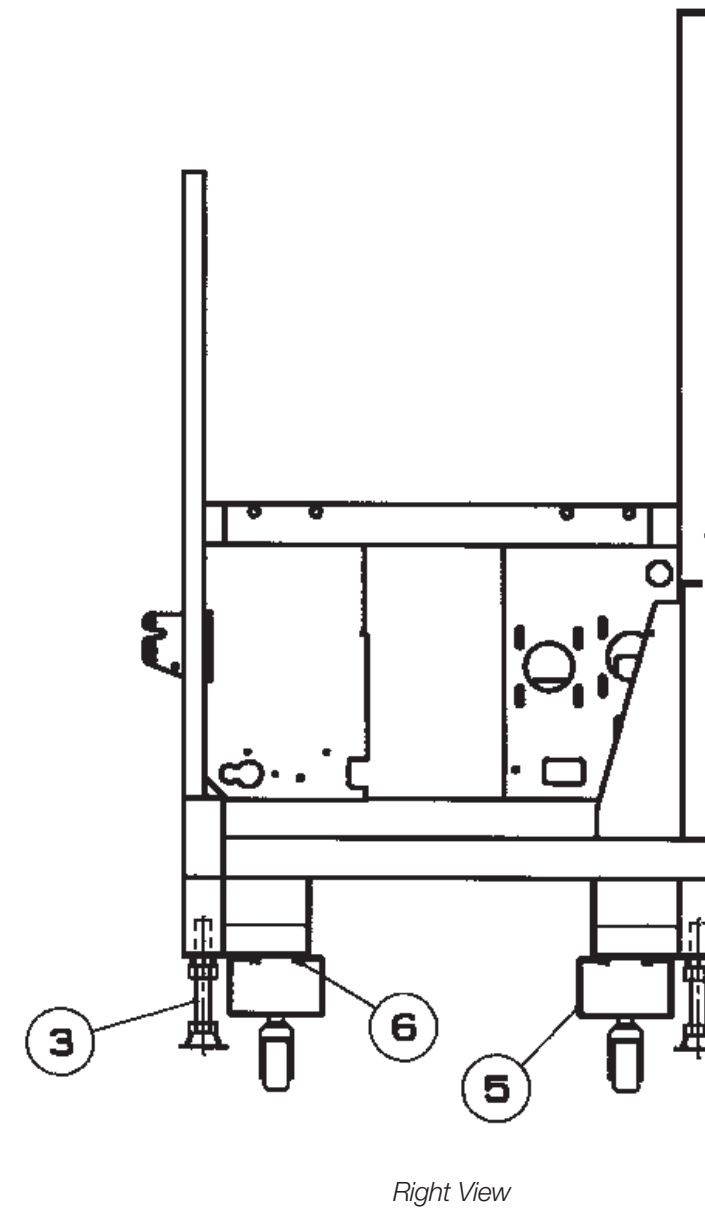
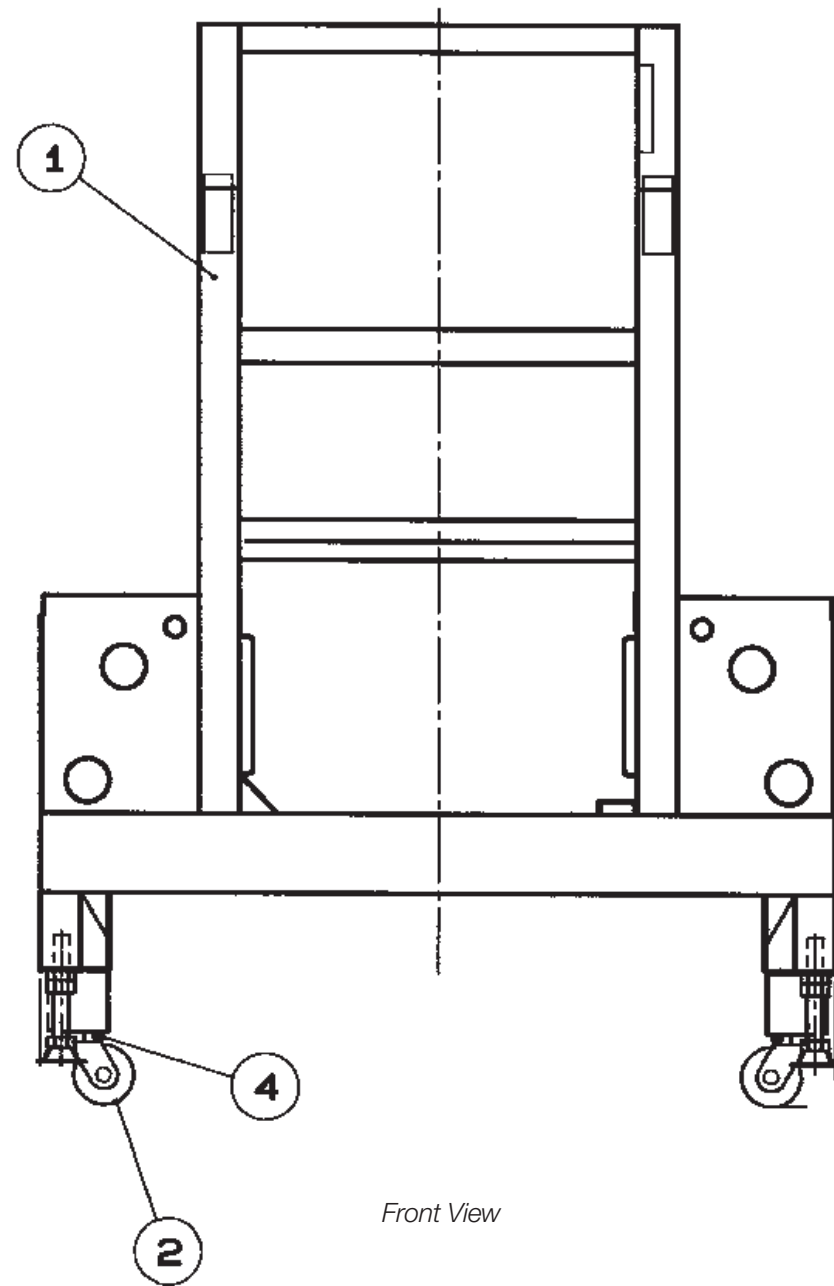
Price and availability confirmation recommended

An ISO 9001 Registered Company ©2026 Rice Lake Weighing Systems 1/26 Prices and specifications subject to change without notice. Visit ricelake.com for current prices.



Ishida WM-4000

Wrapper Main Body Assembly



Wrapper Main Body Unit

Part Number/Price

REF #	PART #	DESCRIPTION	QTY	SYNONYM	PRICE
3	Consult	Collar	6	079-3054-01	\$6.00
4	84792	Bearing, radial, deep groove	6	051-4933-02	\$15.00
5	Consult	Bracket, amp, servo	1	079-3265-29	\$28.00
6	99030	Controller, driver, servo, lift (E1)	1	092-2515-05	\$1,187.50
7	Consult	Harness, C10, infeed	1	079-3409-28	\$128.00
8	157895	Relay, solid state (K7)	1	073-7118-07	\$34.00
9	Consult	Cover, frame, main body	1	072-2467-66	\$45.00
10	Consult	Cover, frame, main body	1	072-2468-60	\$45.00
11	Consult	Cover, main body, lower	1	091-0513-12	\$52.00
12	Consult	Accessory, clamp, LWS clamp	17	073-7214-01	\$1.00
13	Consult	Accessory, clamp, LWS clamp	13	073-7215-05	\$1.00
14	72857	Fuse holder, terminal type	1	000-4119-04	\$11.00
15	72856	Fuse holder, terminal type	1	040-2724-07	\$11.00
16	99133	Fuse, glass tube, 250V 8A (F7, F8)	2	017-5713-01	\$3.00
18	99031	Motor, servo, lift (M1)	1	092-2516-09	\$532.00
19	Consult	Switch, actuator, draw	1	079-3033-12	\$6.00
20	Consult	Accessory clamp, CKS clamp	2	052-4732-08	\$3.00
21	Consult	Accessory clamp, CKS clamp	1	032-9012-00	\$2.00
22	Consult	Frame, motor, feeder	1	079-3266-41	\$45.00
23	Consult	Bracket, frame, change	2	101-1522-02	\$9.00
24	186547	Filter, ferrite	1	044-2730-09	\$11.00

Price and availability confirmation recommended

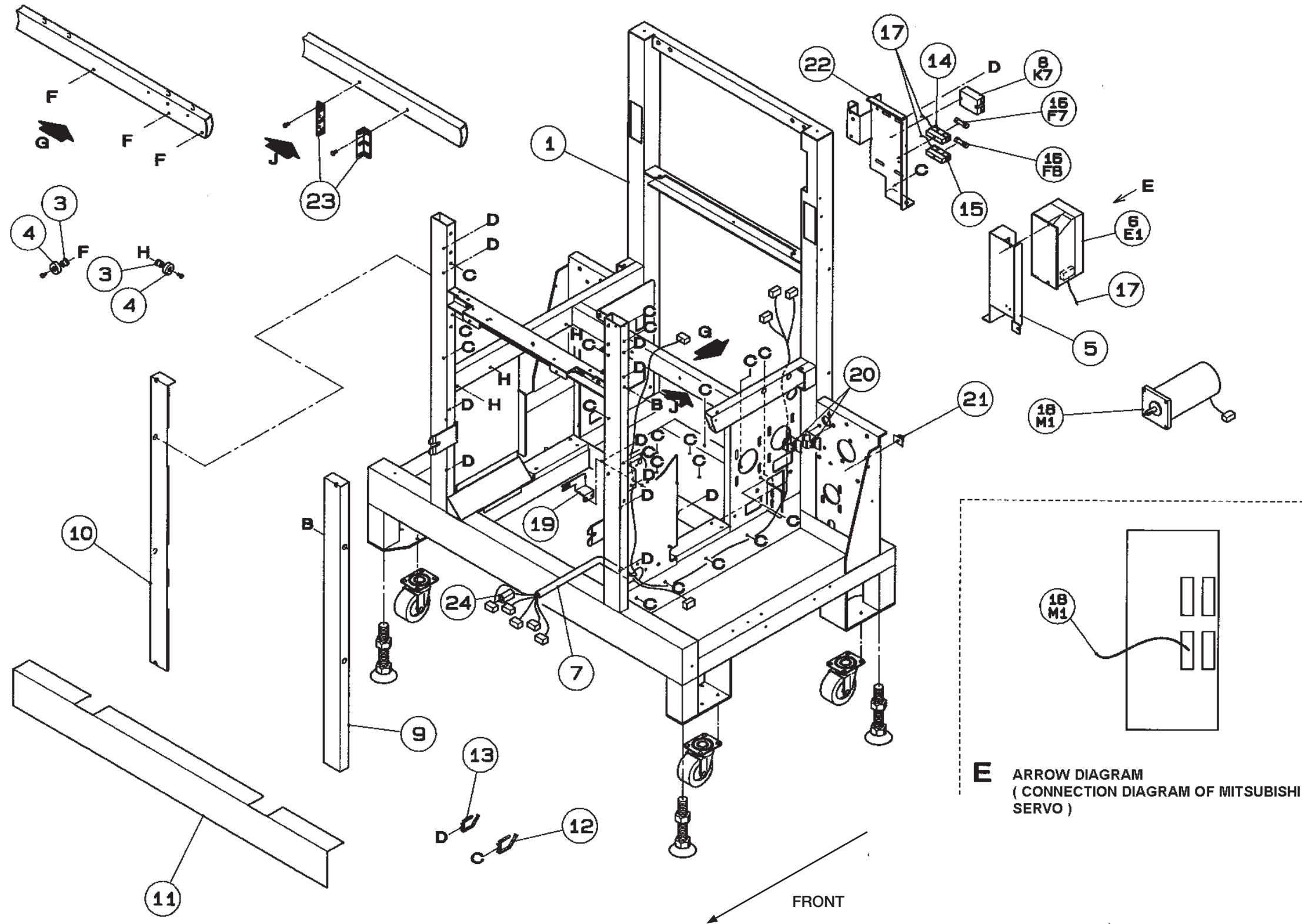
An ISO 9001 Registered Company ©2026 Rice Lake Weighing Systems 1/26 Prices and specifications subject to change without notice. Visit ricelake.com for current prices.

RICE LAKE
WEIGHING SYSTEMS

Discontinued Products

Ishida WM-4000

Wrapper Main Body Unit



E ARROW DIAGRAM
(CONNECTION DIAGRAM OF MITSUBISHI
SERVO)

FRONT

Ishida AC-4000D



Pictured with optional wrap station components.

Price and availability confirmation recommended

An ISO 9001 Registered Company ©2026 Rice Lake Weighing Systems 1/26 Prices and specifications subject to change without notice. Visit ricelake.com for current prices.

RICE LAKE
WEIGHING SYSTEMS

Discontinued Products

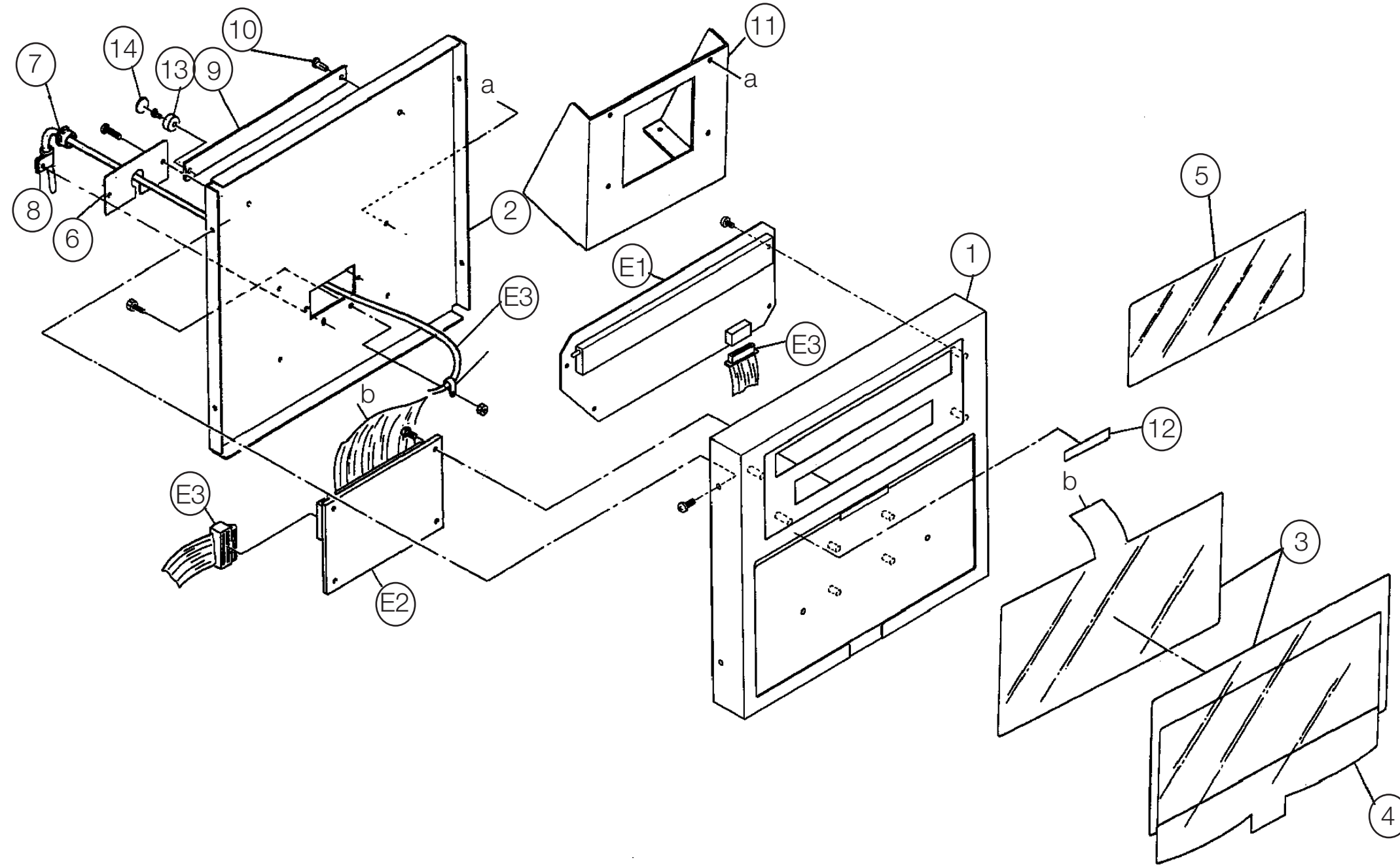
Operation Unit

Part Number/Price

REF #	PART #	DESCRIPTION	PRICE
1	Consult	Housing, 89-444-03	\$326.75
2	47012	Bracket, display	\$211.00
3	80984	Sheet, keyboard assembly	\$105.00
4	46993	Keysheet, operator, 40-3654-03	\$6.00
5	85825	Sheet display panel	\$21.00
6	47014	Plate B	\$12.25
7	47015	Accessory, bush open lock	\$3.00
8	66390	Accessory, clamp	\$2.00
9	Consult	Name plate specification, 89-4416-09	\$5.50
10	42861	Push rivet, white, nylon	\$2.00
11	50290	Stand, operation unit	\$71.00
12	Consult	Name plate, warning "Not for Direct Sale", 89-4436-03	\$2.75
E1	84040	Display module	\$594.00
E2	47006	PWB, P-862 buzzer board	\$67.75
E3	47018	Harness, C3 console 1	\$235.00

Ishida AC-4000D

Operation Unit



Scale Assembly

Part Number/Price

REF #	PART #	DESCRIPTION	PRICE
1	47033	Scale platter, 00-6144-14	\$73.25
2	45151	Sheet, insulator	\$28.00
3	45144	Platter supporter	\$40.00
4	41706	Supporter rubber	\$3.00
5	47036	Rubber pad	\$3.00
6	47029	Enclosure, top cover	\$79.00
7	47034	Cap	\$19.00
8	42857	Level lens	\$4.00
9	Consult	Push rivet, 04-9688-04	\$1.25
15	Consult	Level assembly, 89-4136-06	\$11.50
16	Consult	Bracket level, 89-3192-01	\$52.25
17	47021	Threaded rod, hex, MF	\$8.00
18	47022	Base	\$62.00
19	47019	Main body, base cover	\$133.00
20	47024	Leg, level adjust	\$5.00
23	Consult	Name plate special, 89-4416-09	\$8.50
24	Consult	Plate A, 00-8183-08	\$9.50
25	Consult	Plate B metal, 89-4472-08	\$11.50
27	47025	Seal	\$2.00
28	47031	Name plate, "Ishida"	\$4.75
29	42734	Push rivet	\$2.00
30	Consult	Name plate, specification, 54-2153-09	\$2.25
31	85826	Load cell assembly	\$369.00

Price and availability confirmation recommended

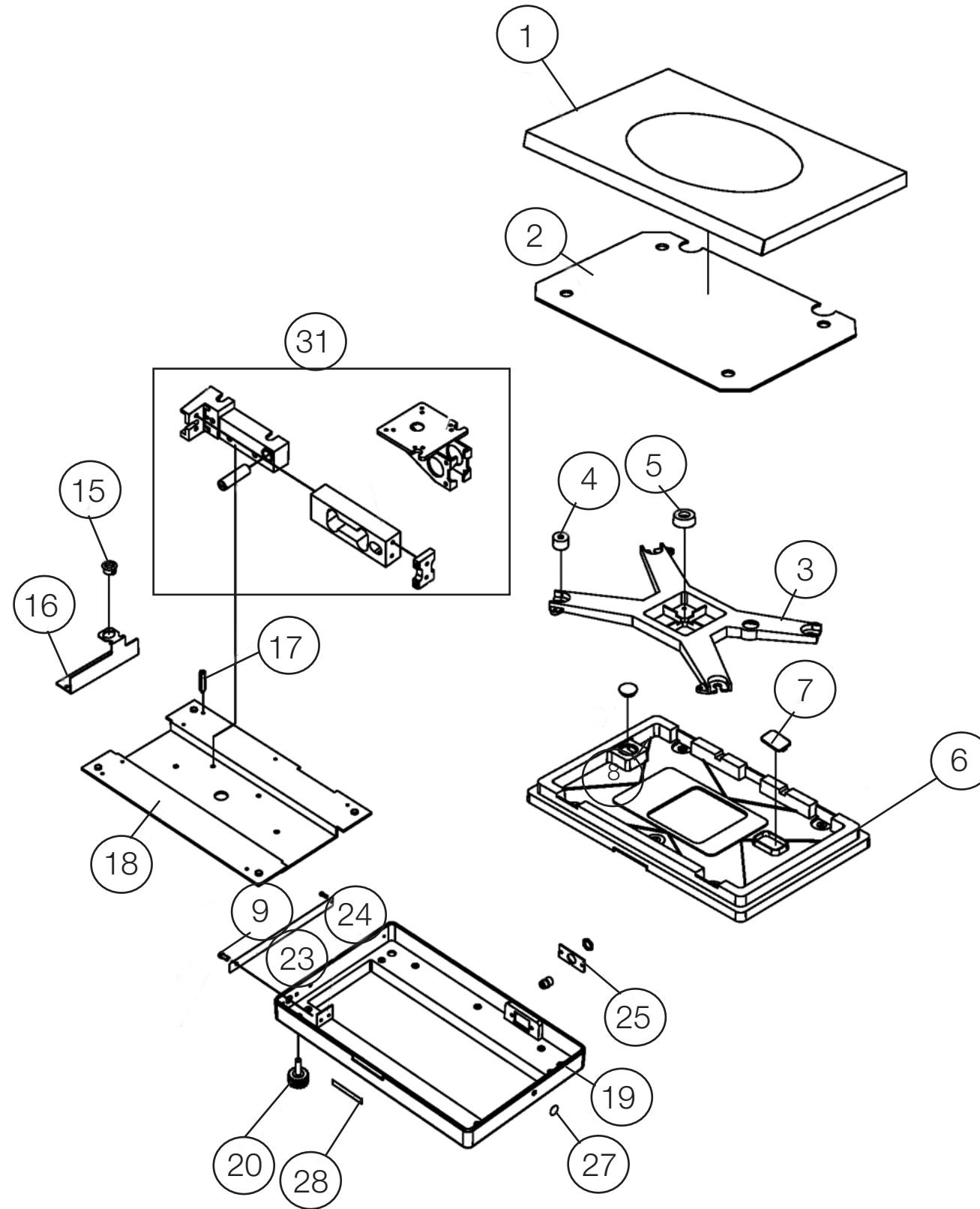
An ISO 9001 Registered Company ©2026 Rice Lake Weighing Systems 1/26 Prices and specifications subject to change without notice. Visit ricelake.com for current prices.

RICE LAKE
WEIGHING SYSTEMS

Discontinued Products

Ishida AC-4000D

Scale Assembly



Printer Assembly

Part Number/Price

REF #	PART #	DESCRIPTION	PRICE
1	45145	Step screw, pan	\$6.00
2	84372	Bracket, head	\$56.00
3	45147	Spacer, head	\$54.75
4	45159	Spring coil, compressive	\$2.00
6	45161	Timing pulley, XL AF	\$17.00
8	84063	Bearing radial, 6 mm x 10 mm SST	\$22.00
9	45175	Motor assembly, stepping	\$154.00
10	45186	Bracket, lock head	\$7.75
11	45187	Frame head	\$123.50
12	45188	Threaded rod, round FF	\$21.00
13	45201	Guide label	\$11.00
14	45203	Spring coil, comprehensive	\$2.00
15	45206	Spring coil, tension	\$3.00
16	45204	Spring coil, tension	\$1.75
17	45207	Spring coil, comprehensive	\$12.00
18	84070	Bearing radial, 5 mm ID x 10 mm OD SST	\$19.00
19	45209	Spacer	\$9.50
20	45211	Spacer	\$3.00
21	45213	Collar washer	\$1.25
22	45214	Collar washer	\$1.25
23	45216	Collar washer	1.50
24	45217	Winding sleeve	\$4.50
25	45218	Shaft, winding	\$49.25
26	44224	Pin, type U	\$11.00
28	45221	Shaft, fulcrum	\$5.00
29	45222	Shaft, lock	\$93.00
30	45223	Threaded rod, round FF	\$6.00
31	45224	Roller, printer	\$18.00
32	Consult	Peeling bar, 89-2681-02	\$20.00
33	45226	Table, label	\$6.75
34	45227	Label press	\$1.50
36	45229	Timing pulley, XL AF	\$14.00
37	45232	Guide label	\$1.75
40	45233	Receipt cutter	\$35.00
41	45124	Cord bushing	\$3.00
42	47041	Name plate, explanation	\$62.25
43	Consult	Decal CE, 89-3420-01	\$1.25
44	47042	Plate B, frame	\$24.25
45	50288	Frame, drive R	\$17.25
46	50287	Frame, drive	\$23.00
47	Consult	Door for printer, 89-4445-07	\$130.25
48	Consult	Side cover, 89-4448-08	\$82.25
49	Consult	Front cover, 89-4446-01	\$138.50
50	Consult	Rear cover, 89-4449-01	\$70.75
51	Consult	Frame printer, 95-4136-15	\$212.25
52	47050	Hinge	\$18.50
53	85827	Timing belt	\$22.00
54	47052	Bracket, lever open	\$132.00
55	Consult	Plate A, 89-4438-01	\$9.50

Price and availability confirmation recommended

An ISO 9001 Registered Company ©2026 Rice Lake Weighing Systems 1/26 Prices and specifications subject to change without notice. Visit ricelake.com for current prices.

RICE LAKE
WEIGHING SYSTEMS

Discontinued Products

Printer Assembly

Part Number/Price

REF #	PART #	DESCRIPTION	PRICE
56	Consult	Plate A, 89-4437-07	\$7.50
57	47055	Lock, snap	\$51.00
59	Consult	Printer cover, 89-4447-04	\$94.75
60	47057	Hinge	\$59.50
62	45173	Threaded rod, hex, MF	\$9.50
63	45181	Name plate, specification	\$29.75
65	Consult	Instruction, "label threading", 89-4435-00	\$8.50
66	Consult	Name plate, special, 89-4416-09	\$8.50
67	42861	Push rivet, white nylon	\$2.00
68	47059	Block A	\$123.50
71	47062	Magnet sheet	\$11.50
72	Consult	Accessory, bush universal, 50-0582-16	\$2.25
73	Consult	Spacer, 89-4492-02	\$4.25
74	Consult	Hexagonal bar, 89-4493-06	\$2.25
75	47065	Bracket, label	\$49.25
77	50284	Bracket, motor	\$17.25
78	50283	Bracket, winding	\$17.25
79	45160	Collar washer	\$2.00
84	Consult	Bracket, guard belt, 52-0428-10	\$34.50
85	Consult	Plate B metal, 89-4472-08	\$11.50
86	44426	Cord, bush	\$2.00
87	Consult	Plate A, 89-4450-06	\$12.50
88	Consult	Sealing wire with lead, 89-1460-02	\$2.25
89	45128	Screw, sealing brass	\$12.00
90	66390	Accessory, clamp	\$2.00
91	Consult	Nylon clamp, 89-4494-00	\$1.25
92	80992	Sticker, caution	\$2.00
E6	107694	PWB PK-950B-a CPU board, 2M, from s/n 811xxxx and B0401U or later	\$1,104.00
E7	85828	Harness, C2 sensor	\$15.00
E8	85829	Power supply	\$135.25
E10	85830	Harness for weighing unit	\$79.00
E11	85831	Harness, C3, console	\$91.00
E13	45238	Harness, SW, thermal head	\$14.75
E14	47073	Harness, S2, PS	\$34.00
E16	66354	Label sensor assembly	\$36.00
E17	45244	Harness, C3, PS	\$4.75
E18	45241	Fuse, assembly	\$15.25
E19	80993	Fuse	\$2.00
E20	66398	Switch	\$13.00
E21	85832	Power cord	\$22.00
E22	80953	Photo reflector, peeling sensor	\$51.00
E23	45237	Printer, thermal printhead	\$252.00
--	48239	Screw, button head, M3x6, printhead mount	Consult
E24	84072	Harness, S2, TCP/IP	\$8.00
E25	84033	Harness, C2, RS-232C	\$24.00
E26	80955	PWB, PK-236, calibration switch	\$20.00
E27	80956	Harness, C2, span	\$7.00
E28	80967	PWB PK-232 TCP/IP	\$46.00
E29	80971	Battery	\$51.00
E30	84073	Harness motor	\$6.00
E31	80973	PWB PK-229 (A/D board)	\$238.00
--	114042	PWB PK-229 (A/D board), with ground wire	\$244.00

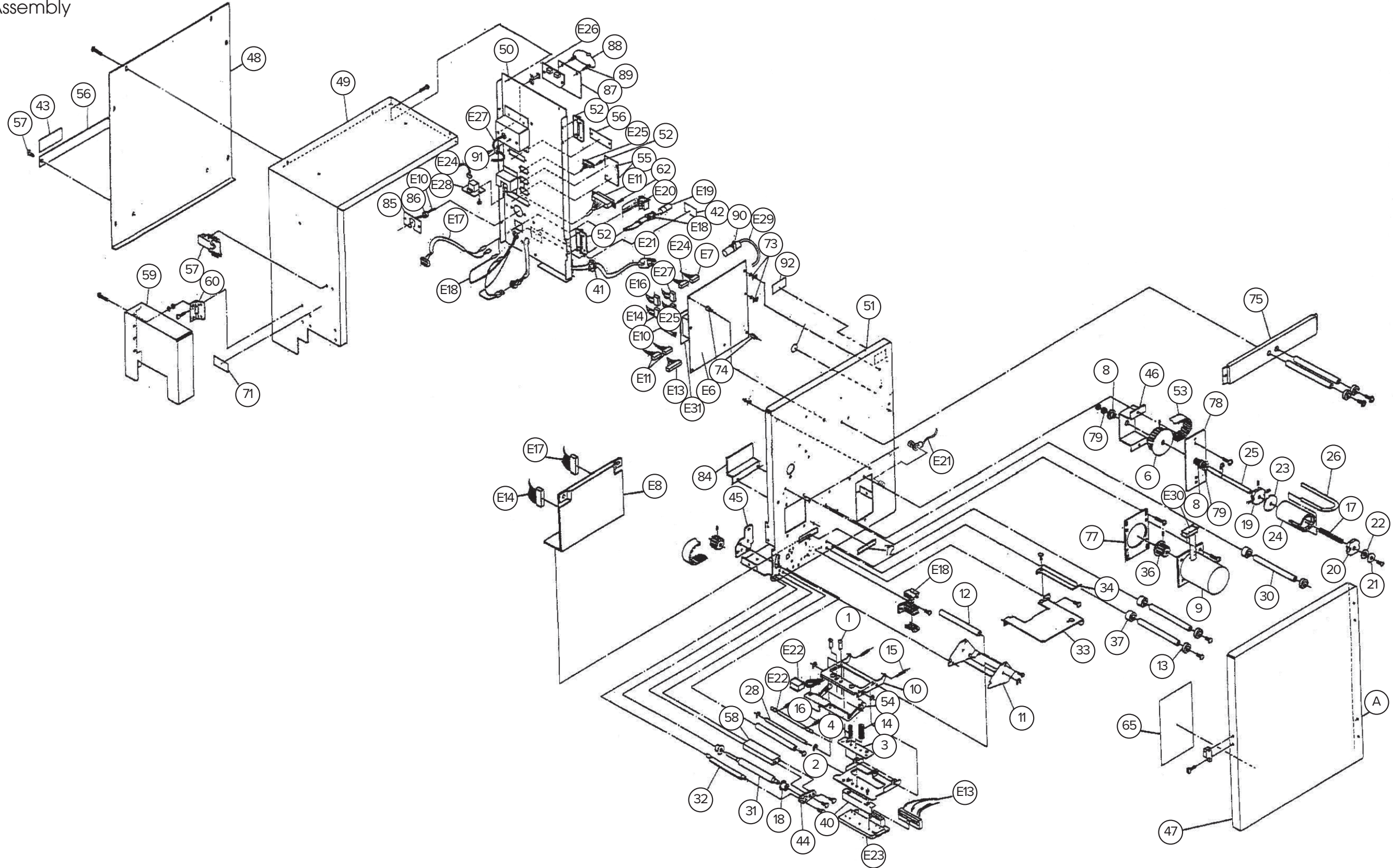
Discontinued Products

Price and availability confirmation recommended

An ISO 9001 Registered Company ©2026 Rice Lake Weighing Systems 1/26 Prices and specifications subject to change without notice. Visit ricelake.com for current prices.

Ishida AC-4000D

Printer Assembly



Ishida IP-EMZ



Pictured with optional wrap station components.

Price and availability confirmation recommended

An ISO 9001 Registered Company ©2026 Rice Lake Weighing Systems 1/26 Prices and specifications subject to change without notice. Visit ricelake.com for current prices.

RICE LAKE
WEIGHING SYSTEMS

Discontinued Products

Main Unit

Part Number/Price

REF #	PART #	DESCRIPTION	SYNONYM	PRICE
1	Consult	Bracket, weigh	072-5388-202	\$79.00
2	Consult	Spring, B	2 072-5389-14	\$7.00
3	Consult	Slide, rail, left	075-5713-01	\$6.00
4	Consult	Bracket, stopper	093-5279-13	\$52.00
5	Consult	Bracket, head	066-4253-18	\$14.00
6	Consult	Shaft, printer, slide	072-5495-16	\$9.00
7	Consult	Bracket assembly, print	093-5278-38	\$58.00
8	Consult	Slide, rail, right	075-5712-07	\$6.00
9	Consult	Bracket, sensor	075-5718-09	\$14.00
10	Consult	Bracket, motor	072-8512-17	\$7.00
11	Consult	Plate A, sensor	072-8513-20	\$5.00
12	Consult	Block B, sensor	074-7263-11	\$2.00
14	Consult	Frame, rear	072-8517-15	\$34.00
15	Consult	Sensor, receiver	075-5706-13	\$3.00
16	Consult	Cover, rear	072-8519-31	\$71.00
17	Consult	Base, under	121-5397-06	\$243.00
18	Consult	Frame, middle	079-8650-28	\$69.00
19	Consult	Frame, right	079-1433-02	\$55.00
20	Consult	Bracket, assembly, display	090-0585-04	\$20.00
22	Consult	Frame assembly, upper	090-0563-11	\$69.00
23	Consult	Frame, left	079-1440-09	\$35.00
25	Consult	Bracket, thermal harness	079-1441-11	\$11.00
26	Consult	Bracket, display board	079-1437-07	\$22.00
28	Consult	L plate A, micro sw	079-8652-07	\$7.00
29	Consult	Clip, print	074-0827-42	\$10.00
30	Consult	Cover, harness, thermal	079-1442-06	\$16.00
31	Consult	Plate A, key	079-8653-01	\$6.00
32	Consult	Base, key	079-1438-01	\$45.00
33	Consult	Plate A, cover, lower	074-7025-11	\$28.00
34	Consult	Collar	074-7026-05	\$7.00
35	Consult	Bracket, stopper	075-5705-01	\$4.00
36	Consult	Cover, printer, connector	079-1439-04	\$20.00
37	Consult	Gear, flat	047-0630-04	\$7.00
38	Consult	Rail, slide	043-1905-02	\$33.00
40	Consult	Plate A, spring, support	066-4250-08	\$2.00
41	Consult	Stay, head, thermal	066-4261-09	\$3.00
42	Consult	Bush	066-7780-06	\$3.00
43	96440	Cover, head	075-5776-14	\$10.00
44	96435	Spring, coil, compressive	096-9830-03	\$3.00
45	96436	Spring, coil, compressive	096-9831-07	\$3.00
46	Consult	Rubber pad	072-8631-08	\$2.00
47	Consult	Accessory, bush	046-2004-02	\$2.00
48	110644	Spring, coil, tension	021-5673-01	\$9.00
49	Consult	Accessory, bush, cable	123-2319-09	\$1.00
50	Consult	PWB accessory, collar bush	000-1973-08	\$1.00
51	Consult	PWB accessory, collar bush	000-1845-04	\$1.00
52	Consult	Accessory, fastener, edge saddle	064-0360-05	\$2.00
54	Consult	Accessory, clamp, flat cable	065-1823-03	\$7.00
57	Consult	Catch, magnet	079-1224-01	\$12.00
58	Consult	Cover, slot, CF	117-9863-04	\$20.00
59	Consult	Plate B, PC	066-1831-01	\$2.00
60	Consult	Sheet, harness, upper	074-7032-17	\$9.00
61	Consult	Sheet, harness, lower	079-8651-03	\$10.00
62	Consult	Case, main body, upper	072-8684-14	\$34.00

Discontinued Products

Price and availability confirmation recommended

An ISO 9001 Registered Company ©2026 Rice Lake Weighing Systems 1/26 Prices and specifications subject to change without notice. Visit ricelake.com for current prices.

Main Unit

Part Number/Price

REF #	PART #	DESCRIPTION	SYNONYM	PRICE
63	Consult	Case, main body, side	072-8698-16	\$30.00
64	Consult	Case, main body, front	072-8838-20	\$22.00
65	Consult	Case, key	072-8838-20	\$7.00
66	Consult	Cover, printer	072-8852-22	\$9.00
67	Consult	Cover, cassette, front	072-8841-21	\$11.00
68	Consult	Collar, spacer	010-5999-08	\$1.00
69	Consult	Collar, spacer	010-5543-03	\$1.00
70	Consult	Name plate, explanation	073-7402-23	\$7.00
71	Consult	Name plate, explanation	122-1731-00	\$14.00
72	Consult	Motor assembly, stepping	074-7420-19	\$71.00
73	Consult	Name plate, specification	123-2304-0376	Consult
76	Consult	PWB accessory, card spacer	000-1805-05	\$2.00
79	Consult	Cap	001-4457-01	\$1.00
80	Consult	Screw, cross truss	002-1925-03	\$1.00
81	Consult	Screw, cross truss	000-0237-06	\$1.00
82	Consult	Screw, cross truss	001-0022-00	\$1.00
83	Consult	TP screw	010-0725-06	\$1.00
84	Consult	TP tapping screw	000-0436-01	\$1.00
85	Consult	TP screw M3x6	000-0438-08	\$1.00
87	Consult	TP screw	000-0439-01	\$1.00
89	Consult	Screw, cross truss	000-0254-00	\$1.00
90	Consult	Screw, cross flat	000-0217-01	\$1.00
91	Consult	Screw, cross flat	002-1914-02	\$1.00
92	Consult	Screw, cross pan head	066-4172-01	\$1.00
93	Consult	Screw, cross pan head	002-1835-01	\$1.00
94	Consult	Screw, cross pan head	002-1850-08	\$1.00
95	Consult	Screw, cross pan head, BWA S2P2	000-0323-03	\$1.00
96	Consult	Screw, cross pan head	000-0091-00	\$1.00
97	Consult	Screw, cross pan head, BWA S2P1	003-2571-00	\$1.00
99	Consult	Cross head, hex bolt with pw, M4x8mm SST	014-3996-09	\$1.00
100	Consult	Plus hex bolt	000-0337-05	\$1.00
102	Consult	Set screw, hex socket, w-point	000-0469-03	\$1.00
103	Consult	E-ring	000-0286-09	\$1.00
104	46986	E-ring, M3 SST	000-0287-02	\$2.00
105	47215	C ring, for shaft, M6 SST	036-0949-05	\$3.00
106	Consult	TP tapping screw, T2, M4x10mm zinc	019-8842-03	\$1.00
108	Consult	Screw, cross truss	007-1060-09	\$1.00
109	Consult	Accessory, clamp, KKN clamp	002-5032-02	\$5.00
110	Consult	Accessory, clamp, LWS clamp	051-3041-07	\$2.00
111	Consult	Cover, card	071-4684-12	\$5.00
113	Consult	Tape rejection	079-8656-01	\$8.00
115	Consult	Accessory, clamp, KKN clamp	007-5412-01	\$2.00
116	Consult	Screw, cross pan head	004-4875-06	\$1.00
120	Consult	L plate B	095-9478-17	\$69.00
121	Consult	Name plate	097-8992-07	\$1.00

Price and availability confirmation recommended

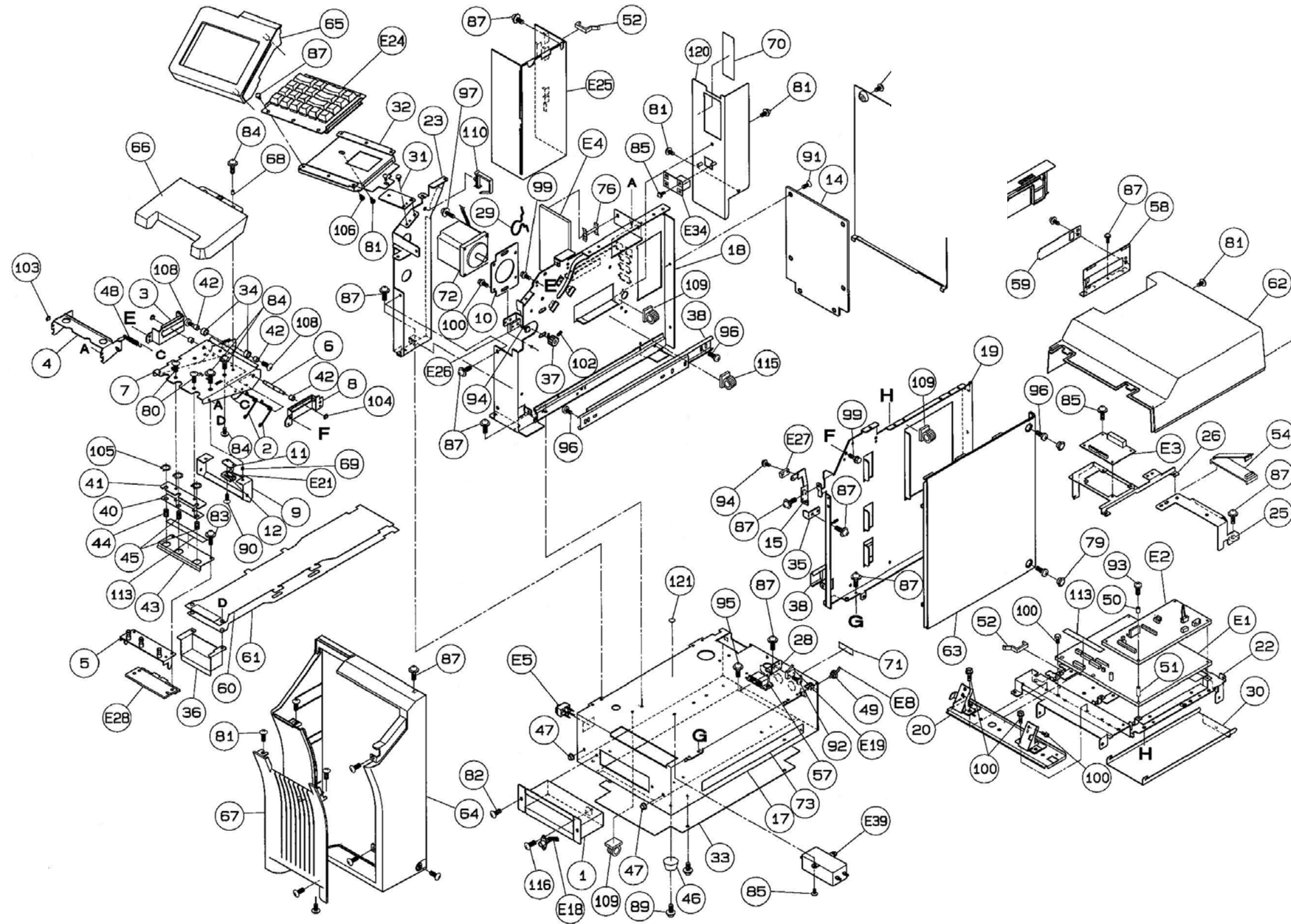
An ISO 9001 Registered Company ©2026 Rice Lake Weighing Systems 1/26 Prices and specifications subject to change without notice. Visit ricelake.com for current prices.

RICE LAKE
WEIGHING SYSTEMS

Discontinued Products

Ishida IP-EMZ

Main Unit



NOTE: For diagram numbers beginning with "E" refer to IP-EMZ main electrical Unit.

Display Unit

Part Number/Price

REF #	PART #	DESCRIPTION	SYNONYM	PRICE
1	Consult	Case, controller, front	091-2133-09	\$9.00
2	Consult	Case assembly, controller, rear	098-8224-07	\$11.00
3	Consult	Cover, connector	070-3082-01	\$5.00
4	Consult	Cover, brightness adjust volume	070-3083-04	\$2.00
5	Consult	Frame, controller	098-3213-08	\$22.00
6	Consult	Bracket, connector, operation	074-7213-05	\$6.00
7	Consult	Sheet	074-7467-04	\$3.00
9	Consult	Sheet, display	119-3683-03	\$316.00
10	Consult	Print, torque	072-8703-02	\$27.00
14	Consult	Accessory, clamp, wire	022-7035-09	\$3.00
15	Consult	Screw, cross pan head	000-0069-07	\$1.00
16	Consult	Screw, cross pan head	002-5338-01	\$1.00
17	Consult	Screw, cross pan head	072-8769-08	\$1.00
18	Consult	Screw, cross pan head, BWA S2P2	000-0321-06	\$1.00
19	Consult	Tapping screw, cross pan, P	072-8766-07	\$1.00
20	200514	Cross hex, set screw S2P2, M4x10 mm SST	014-3997-02	\$2.00
21	Consult	Tapping screw, cross pan head	072-8768-04	\$1.00
50	98408	Display, liquid crystal, TFT	101-1855-02	\$1,243.00
51	98402	Touch panel, analog	069-6657-18	\$145.00
52	Consult	Inverter	098-8337-04	\$65.00
53	104766	PWB, P-917, B-2	098-8264-24	\$391.50
54	Consult	Harness, C2, key junction	069-6731-20	\$12.00
55	Consult	Harness, C4, TFT	098-3156-27	\$65.00
56	Consult	Harness, C2, inverter	098-3155-14	\$10.00
58	Consult	Volume assembly, brightness adjust	098-8130-01	\$18.00
59	Consult	Plate, spacer	098-3464-06	\$4.00
60	Consult	Plate, spacer	098-3465-19	\$3.00

Price and availability confirmation recommended

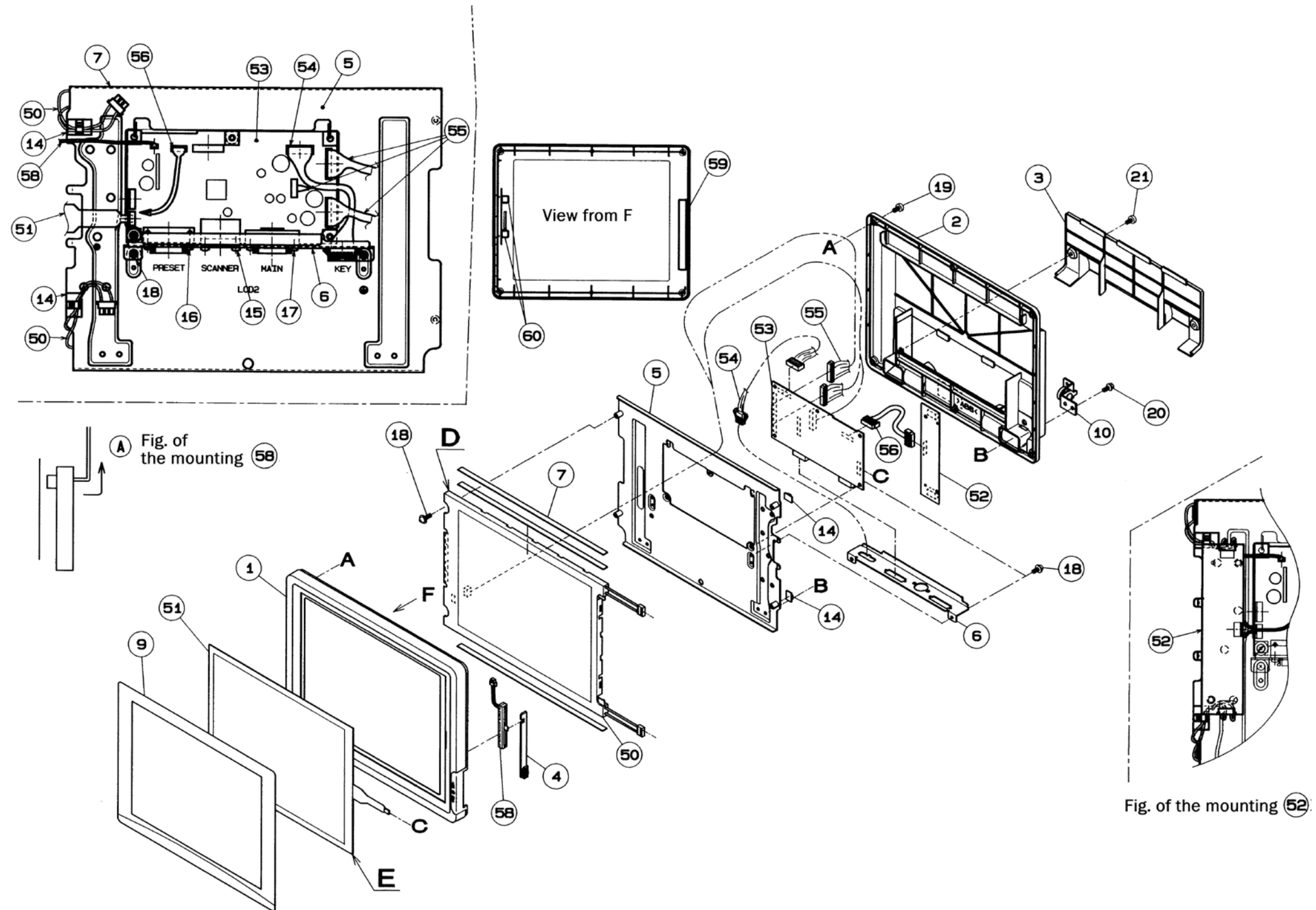
An ISO 9001 Registered Company ©2026 Rice Lake Weighing Systems 1/26 Prices and specifications subject to change without notice. Visit ricelake.com for current prices.

RICE LAKE
WEIGHING SYSTEMS

Discontinued Products

Ishida IP-EMZ

Display Unit



Cassette Unit

Part Number/Price

REF #	PART #	DESCRIPTION	SYNONYM	PRICE
1	Consult	Plate assembly, peeling shaft	075-5777-09	\$8.00
2	Consult	Bracket, print	075-5715-08	\$13.00
3	Consult	Cover, harness, label sensor	075-5714-04	\$10.00
4	Consult	Label, break	079-1435-00	\$9.00
5	Consult	Spring, C: 3	072-5491-11	\$5.00
6	Consult	Shaft, step	072-5494-31	\$32.00
7	Consult	Roller	072-5496-29	\$12.00
8	115145	Roller, print	072-5497-22	\$24.00
9	Consult	Bracket, label, stopper	075-5778-02	\$9.00
10	187354	Gear, idler, 25	074-7260-01	\$12.00
11	Consult	Gear, flat	074-7262-08	\$2.00
12	187355	Gear, flat	074-7261-04	\$3.00
13	Consult	Plate A, sensor	072-8513-20	\$5.00
14	Consult	Block B, sensor	074-7264-14	\$2.00
15	Consult	Base assembly, printer	075-5787-06	\$55.00
16	Consult	Shaft, label, rear	072-8533-15	\$10.00
17	187370	Threaded rod, round, mm	072-8832-19	\$13.00
18	Consult	Guide, label	075-5773-04	\$9.00
19	Consult	Spring, plate, guide	075-5710-00	\$3.00
20	Consult	Bracket, holder	075-5716-01	\$10.00
21	Consult	Holder, roller	075-5775-01	\$7.00
22	Consult	Spring, coil	074-0822-08	\$9.00
23	Consult	Shaft, label	074-0823-11	\$10.00
24	Consult	Step screw, pan	074-7028-02	\$3.00
25	Consult	Frame, cassette, rear	111-5835-11	\$15.00
26	Consult	Frame, cassette, front	075-5779-06	\$32.00
27	187448	Spring, plate	075-5774-08	\$12.00
28	187449	Guide, printer, cassette	075-5709-05	\$12.00
29	187366	Roller, pole	011-0853-07	\$8.00
30	45201	Guide, label	020-6991-20	\$11.00
31	187433	Shaft, roller, assist	044-3821-17	\$9.00
32	110525	Roller, assist	060-8956-04	\$37.00
33	187447	Roller, assist	069-4967-06	\$20.00
34	157781	Cover, winding	064-0174-27	\$3.00
35	101104	Bobbin, winding	064-0176-24	\$6.00
36	101105	Holder, winding, stopper	064-0189-22	\$3.00
37	157782	Spring, coil, compressive	064-0192-06	\$3.00
38	93355	Bush	064-0201-24	\$5.00
39	187358	Spring pin	017-2601-06	\$2.00
40	Consult	Spring, coil, compressive	053-8767-00	\$7.00
41	187348	Spring, coil, compressive	059-8733-07	\$9.00
42	Consult	Collar, spacer	013-8288-06	\$1.00
43	Consult	Collar, spacer	000-0413-05	\$1.00
44	172635	Bearing, radial	000-3727-05	\$14.00
45	187368	Collar, spacer	074-7219-07	\$2.00
46	187367	Tapping screw, plus, P tight	075-1405-09	\$2.00
47	Consult	Tapping screw, TP, B tight	075-1431-06	\$1.00
48	42728	TP tapping screw	000-0436-01	\$2.00
49	48784	TP screw	010-0725-06	\$2.00
50	Consult	Hex bolt, bolt and washer assembly S2P2	000-5923-06	\$1.00
51	Consult	Screw, cross truss	002-1933-03	\$1.00
52	Consult	TP tapping screw, T2, M4x10 mm zinc	019-8842-03	\$1.00
53	46977	E-ring, M6, SST	000-0290-04	\$2.00
54	Consult	E-ring	000-0286-09	\$1.00

Price and availability confirmation recommended

An ISO 9001 Registered Company ©2026 Rice Lake Weighing Systems 1/26 Prices and specifications subject to change without notice. Visit ricelake.com for current prices.

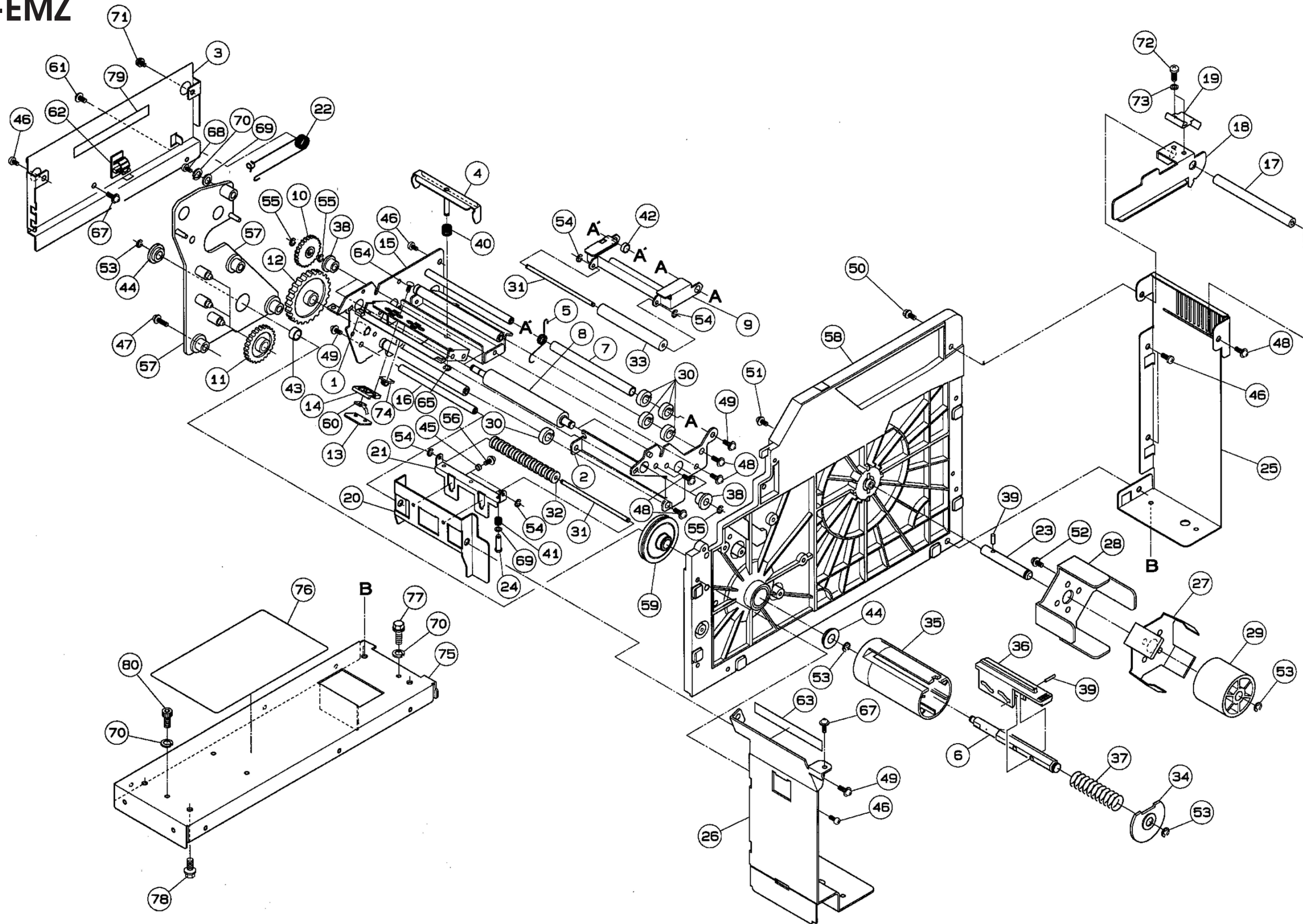
Cassette Unit

Part Number/Price

REF #	PART #	DESCRIPTION	SYNONYM	PRICE
55	46984	E-ring, M4 SST	000-0288-06	\$2.00
56	199959	Screw, cross pan head, M3-0.5x4	002-1849-03	\$2.00
57	Consult	Cover, gear	072-5489-22	\$8.00
58	Consult	Main body, printer, cassette	072-8839-14	\$31.00
59	Consult	Limiter A, assembly	074-7421-03	\$34.00
60	156486	Sensor assembly, label	072-5369-29	\$22.00
61	Consult	Screw, cross truss	002-1926-07	\$1.00
62	Consult	Accessory, clamp, CKN clamp	007-5412-01	\$2.00
63	Consult	Tape rejection	079-8656-01	\$8.00
64	Consult	Screw, cross flat	000-0217-01	\$1.00
65	46986	E-ring, M3 SST	000-0287-02	\$2.00
67	41732	Screw, SST, M4x6	000-0237-06	\$2.00
68	Consult	Screw, cross pan head	037-7757-00	\$1.00
69	48237	Plain washer	000-0142-06	\$2.00
70	42854	Spring washer, split lock M4	000-0172-08	\$2.00
71	Consult	Tapping screw, cross pan head	076-9733-07	\$1.00
72	48233	Screw, cross pan head, Phillips M3-0.5x6	000-0069-07	\$2.00
73	198617	Spring washer	002-0480-00	\$1.00
74	Consult	Accessory, clamp, wire	022-7035-09	\$3.00
75	Consult	Base, cassette	075-5720-07	\$20.00
76	Consult	Name plate, explanation	113-8367-01	\$69.00
77	Consult	Hex bolt	008-7015-00	\$1.00
78	71054	Plus hex bolt	000-0337-05	\$1.00
79	Consult	Tape rejection	079-8657-05	\$8.00
80	Consult	Hex socket bolt	000-0191-09	\$1.00

Ishida IP-EMZ

Cassette Unit



Scale Unit

Part Number/Price

REF #	PART #	DESCRIPTION	SYNONYM	PRICE
1	47019	Case, scale, lower	002-5005-01	\$133.00
2	Consult	Bracket, PWB	070-9805-08	\$16.00
3	47021	Threaded rod, hex, mf	002-5011-04	\$8.00
4	47022	Base, weigh	002-5012-17	\$62.00
5	Consult	Plate B, metal, IP-EMZ	075-5801-14	\$12.00
6	47024	Leg, adjusting	001-4845-02	\$5.00
7	47026	Metal fitting unit for level	002-5052-07	\$23.00
8	47027	PWB accessory, card spacer	000-1796-05	\$2.00
9	Consult	Accessory, bush, cable	074-7145-05	\$2.00
11	Consult	PWB accessory, card spacer	043-1633-00	\$5.00
12	47029	Case, scale, upper	002-5006-05	\$79.00
13	44220	Load cell unit: CLC-25L	000-7729-07	\$403.00
14	47031	Name plate, company name	032-4927-09	\$4.00
15	126586	PWB, P-930A-2, A/D board	096-9797-03	\$366.00
16	107878	Harness, C5, scale comm	096-9609-06	\$124.00
17	45144	Platter supporter	000-6131-07	\$40.00
18	47025	Seal	001-6314-09	\$2.00
19	175008	Platter	094-5009-02	\$96.00
20	41706	Supporter rubber	002-5050-00	\$3.00
21	187668	Cap, window	016-3545-07	\$4.00
22	47034	Cap	002-5007-09	\$19.00
23	42857	Lens	041-1971-13	\$4.00
24	Consult	Name plate, specification	123-2304-03	Consult
25	47036	Rubber pad	000-3926-00	\$3.00
26	47326	Screw, plus truss, screw lock	003-2566-01	\$2.00
28	Consult	Accessory, clamp, CKN clamp	000-1846-08	\$2.00
29	Consult	GT cap screw	000-0448-05	\$1.00
30	47008	Tapping screw, M4x6 pan head flange washer zinc	000-0439-01	\$3.00
32	42719	Screw, cross truss	000-0238-00	\$2.00
33	41739	Hex bolt, bolt and washer assembly S2P2	002-1790-08	\$2.00
36	189337	Cross hexagon bolt	000-0338-09	\$2.00
37	47007	TP screw M4x8 chromate	000-0440-06	\$2.00
38	Consult	Sheet, insulator	049-6202-19	\$69.00
39	42735	Seal, with wire	022-3922-08	\$3.00
40	47032	Step screw	020-3677-01	\$27.00
41	Consult	Cover, PWB	096-9535-13	\$77.00
42	Consult	Cover, switch	096-9533-16	\$52.00
43	41811	Screw, sealing	005-4497-09	\$12.00
44	186416	Filter, ferrite core	074-0771-01	\$11.00
45	Consult	Filter, finger	096-9771-07	\$52.00
46	186547	Filter, ferrite	044-2730-09	\$11.00

Price and availability confirmation recommended

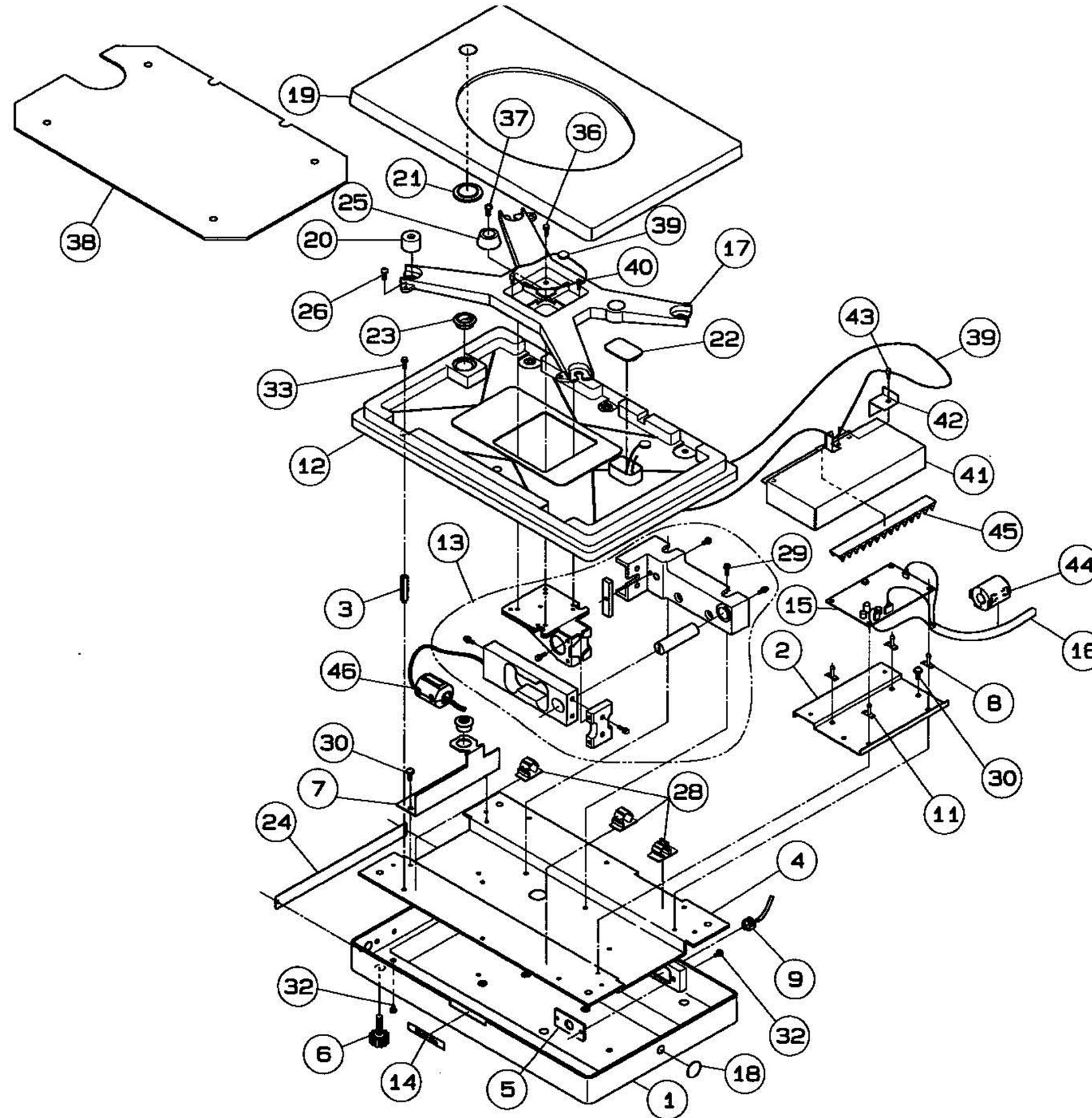
An ISO 9001 Registered Company ©2026 Rice Lake Weighing Systems 1/26 Prices and specifications subject to change without notice. Visit ricelake.com for current prices.

RICE LAKE
WEIGHING SYSTEMS

Discontinued Products

Ishida IP-EMZ

Scale Unit



Main Electrical Unit Wiring Diagram

Part Number/Price

REF #	PART #	DESCRIPTION	SYNONYM	PRICE
E1	98653	PWB, P-910R-2	120-0298-14	\$1,003.00
E2	Consult	PWB, P-964-3	094-0243-28	\$443.00
E3	Consult	PWB, P-919B-3	101-1508-00	\$213.00
E4	Consult	PWB, P-918A-1	069-6884-17	\$166.00
E5	Consult	Switch assembly, seesaw	109-5879-04	\$62.00
E7	Consult	Fuse holder assembly	072-5374-28	\$12.00
E8	Consult	Harness, C3, power cord	114-6567-18	\$38.00
E9	Consult	Harness, S2, power 24V	072-8990-14	\$10.00
E10	Consult	Harness, C3, power DC	072-5382-46	\$16.00
E11	Consult	Harness, S2, power junction	063-8454-12	\$3.00
E12	Consult	Harness, C2, inverter junction	096-9769-09	\$11.00
E13	Consult	Harness, S2, RS-232C	096-9780-01	\$13.00
E14	Consult	Harness, S2, LCD1	072-5233-26	\$12.00
E15	Consult	Harness, S2, LCD2	072-5232-22	\$12.00
E16	Consult	Harness, C2, comm	072-5378-22	\$19.00
E17	Consult	Harness, C2, key	072-5378-22	\$10.00
E18	Consult	Harness, C2, scale	072-5375-12	\$26.00
E19	Consult	Sensor assembly, head	072-5385-38	\$23.00
E21	Consult	Sensor assembly, label gap	074-0649-28	\$21.00
E22	Consult	Harness, C3, peel sensor	072-5380-02	\$13.00
E23	Consult	Harness, C2, thermal head	072-5377-29	\$22.00
E24	98407	Keyboard assembly	108-0485-05	\$348.00
E25	87521	Power supply, switching	106-1434-04	\$346.00
E26	87534	Photo interrupter, trans	064-5587-01	\$12.00
E27	87535	Photo interrupter, trans, receive	066-4500-09	\$12.00
E28	87531	Printer, thermal	094-0086-01	\$253.00
E29	Consult	Fuse, glass tube, 8A, 250V	009-2449-01	\$3.00
E30	Consult	Connector, D sub, accessory	070-9748-09	\$3.00
E31	Consult	Connector, D sub, accessory	070-9749-02	\$2.00
E33	Consult	Harness, S2, ground clamp	074-7114-19	\$5.00
E34	Consult	PWB, P-967, -1	095-4469-06	\$21.00
E35	Consult	Harness, S2, ether	095-9479-01	\$29.00
E36	Consult	Filter, ferrite core	048-2023-17	\$13.00
E37	186416	Filter, ferrite core	074-0771-01	\$11.00
E38	Consult	Harness, C2, ground	096-9772-01	\$6.00
E39	Consult	Filter, noise	096-9774-08	\$35.00
E60	156486	Sensor assembly, label	072-5369-29	\$22.00
Accessory Parts				
8	Consult	Harness, S2, operation	074-0831-01	\$82.00
9	Consult	Harness, S2, ground wire	074-0547-03	\$4.00

Price and availability confirmation recommended

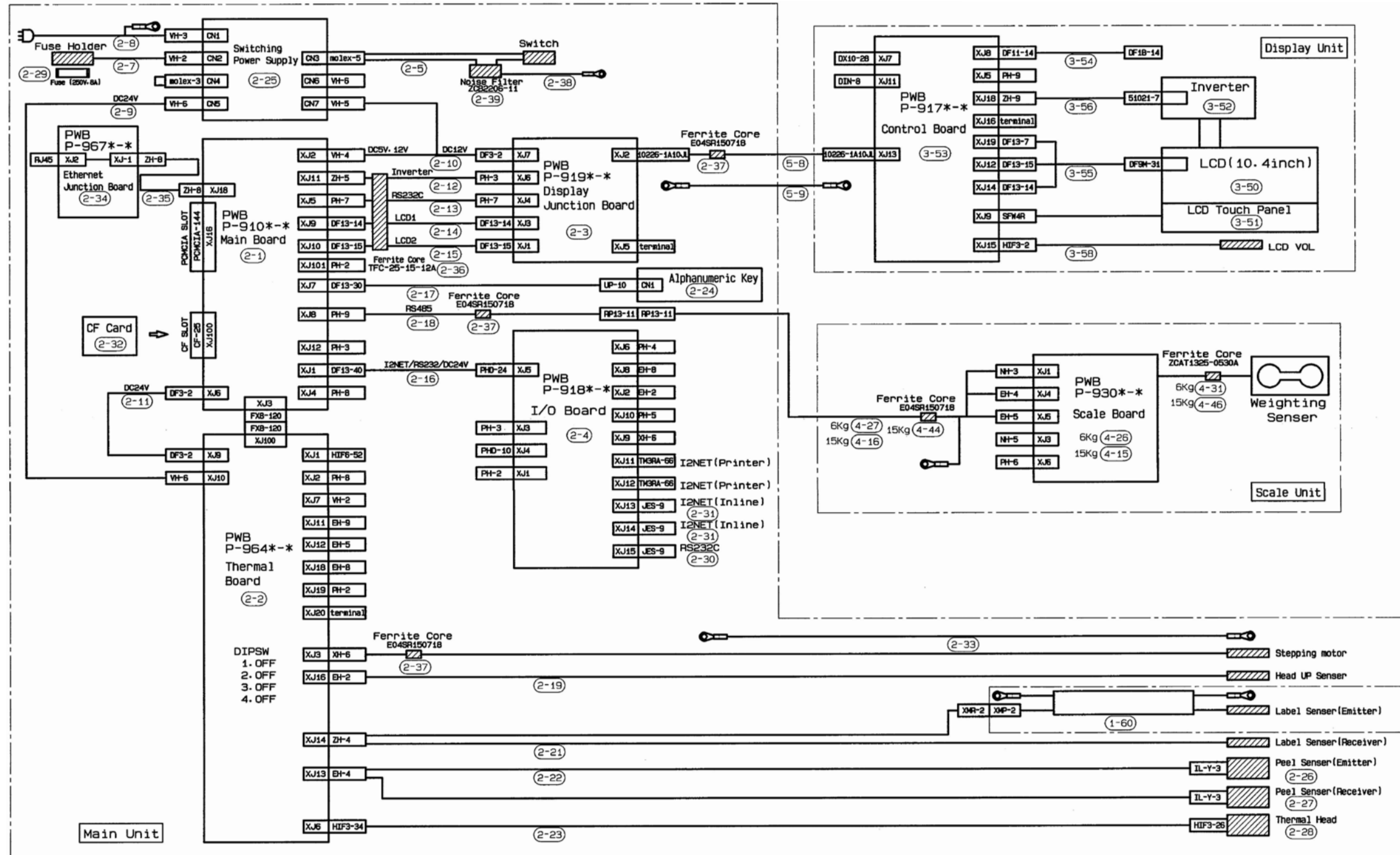
An ISO 9001 Registered Company ©2026 Rice Lake Weighing Systems 1/26 Prices and specifications subject to change without notice. Visit ricelake.com for current prices.

RICE LAKE
WEIGHING SYSTEMS

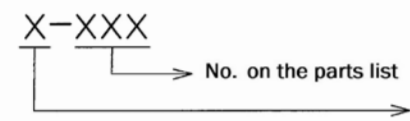
Discontinued Products

Ishida IP-EMZ

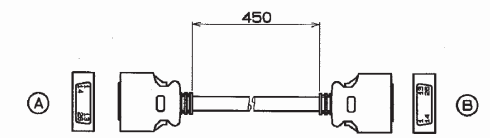
Main Electrical Unit Wiring Diagram



1) The No. inside means as follows.



No.	UNIT NAME
1	Cassette Unit
2	Main Unit
3	Display Unit
4	Scale Unit
5	Top Unit



Ⓐ Ⓑ MDR CONNECTOR 26P (SUMITOMO 3M)

Ishida DP-3000



Pictured with optional hand-wrap station, wipe-off applicator, POP label printer.

Price and availability confirmation recommended

An ISO 9001 Registered Company ©2026 Rice Lake Weighing Systems 1/26 Prices and specifications subject to change without notice. Visit ricelake.com for current prices.

RICE LAKE
WEIGHING SYSTEMS

Discontinued Products

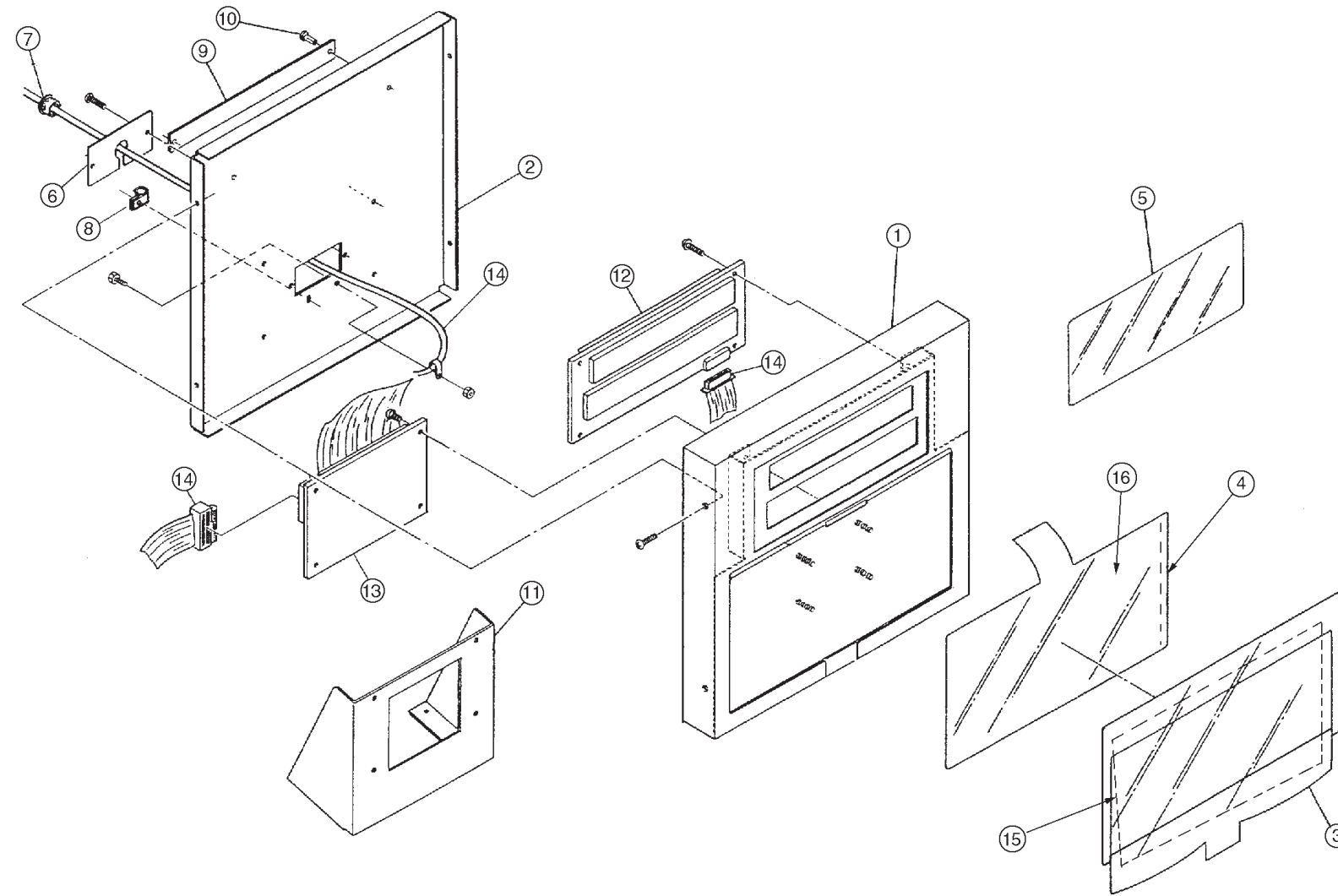
Operation Unit

Part Number/Price

REF #	PART #	DESCRIPTION	SYNONYM	PRICE
1	47011	Housing	44-8249-32	\$313.95
2	47012	Bracket, display	44-8251-59	\$211.00
3	46993	Keysheet, operator	40-3654-21	\$6.00
4	47226	Adhesive spacer	40-3658-08	\$9.10
5	47013	Panel, display	50-2585-23	82.95
6	47014	Plate B	47-3201-10	\$12.25
7	47015	Bushing, open lock	13-8916-01	\$3.00
8	47016	Clamp, nylon	02-3689-01	1.00
9	47035	Name plate specification	50-2586-09	5.25
10	42734	Push rivet	00-4761-06	\$2.00
11	50290	Stand	47-3972-36	\$71.00
12	50289	Display, fluorescent, dot matrix	60-8741-01	\$519.75
13	47006	Board, buzzer P-862	50-6320-00	\$67.75
14	47018	Harness, C3, console	52-0206-01	\$235.00
--	15777	37 Pin D-sub hood		\$4.00
15	47225	Transparent sheet, includes adhesive spacer	40-3656-01	\$22.00
16	46994	Sheet, keyboard assembly	40-3655-07	\$85.00

Ishida DP-3000

Operation Unit



Scale Unit

Part Number/Price

REF #	PART #	DESCRIPTION	SYNONYM	PRICE
1	47019	Case, lower	02-5005-01	\$133.00
2	47020	Bracket, PWB	50-6303-06	\$18.45
3	47021	Threaded rod, hex, MF	02-5011-04	\$8.00
4	47022	Base, weigh	02-5012-17	\$62.00
5	47023	Metal bracket	02-5013-01	\$4.70
6	47024	Level, adjusting leg	01-4845-02	\$5.00
7	47025	Seal	01-6314-09	\$2.00
8	47026	Metal fitting unit	02-5052-07	\$23.00
9	47027	Spacer, power supply board	00-1796-05	\$2.00
10	47028	Bushing cable	02-3151-05	\$5.50
11	42734	Push rivet	00-4761-06	\$2.00
13	47029	Enclosure	02-5006-05	\$79.00
14	47030	Load cell, CLC-25N	47-3068-01	\$404.00
15	47031	Name plate	32-4927-09	\$4.75
16	42735	Seal, with wire	22-3922-08	\$3.00
17	47032	Step screw, M4x10 SST	20-3677-01	\$27.00
18	45144	Platter supporter	00-6131-07	\$40.00
19	42733	Seal	44-6797-02	\$12.00
20	47033	Scale platter	00-6144-14	\$73.25
21	41706	Platter supporter, rubber	02-5050-00	\$3.00
23	47034	Cap	02-5007-09	\$19.00
24	42857	Cap, window	41-1971-13	\$4.00
25	47035	Name plate, specification	50-2586-09	\$5.25
26	47036	Rubber pad	00-3926-00	\$3.00
28	47326	Screw, M4x18, panhead	03-2566-01	\$2.00
29	70104	Board, A/D, P-830A	35-1209-54	\$216.30
30	47038	Harness, C3, scale 1	47-3162-18	\$103.95

Price and availability confirmation recommended

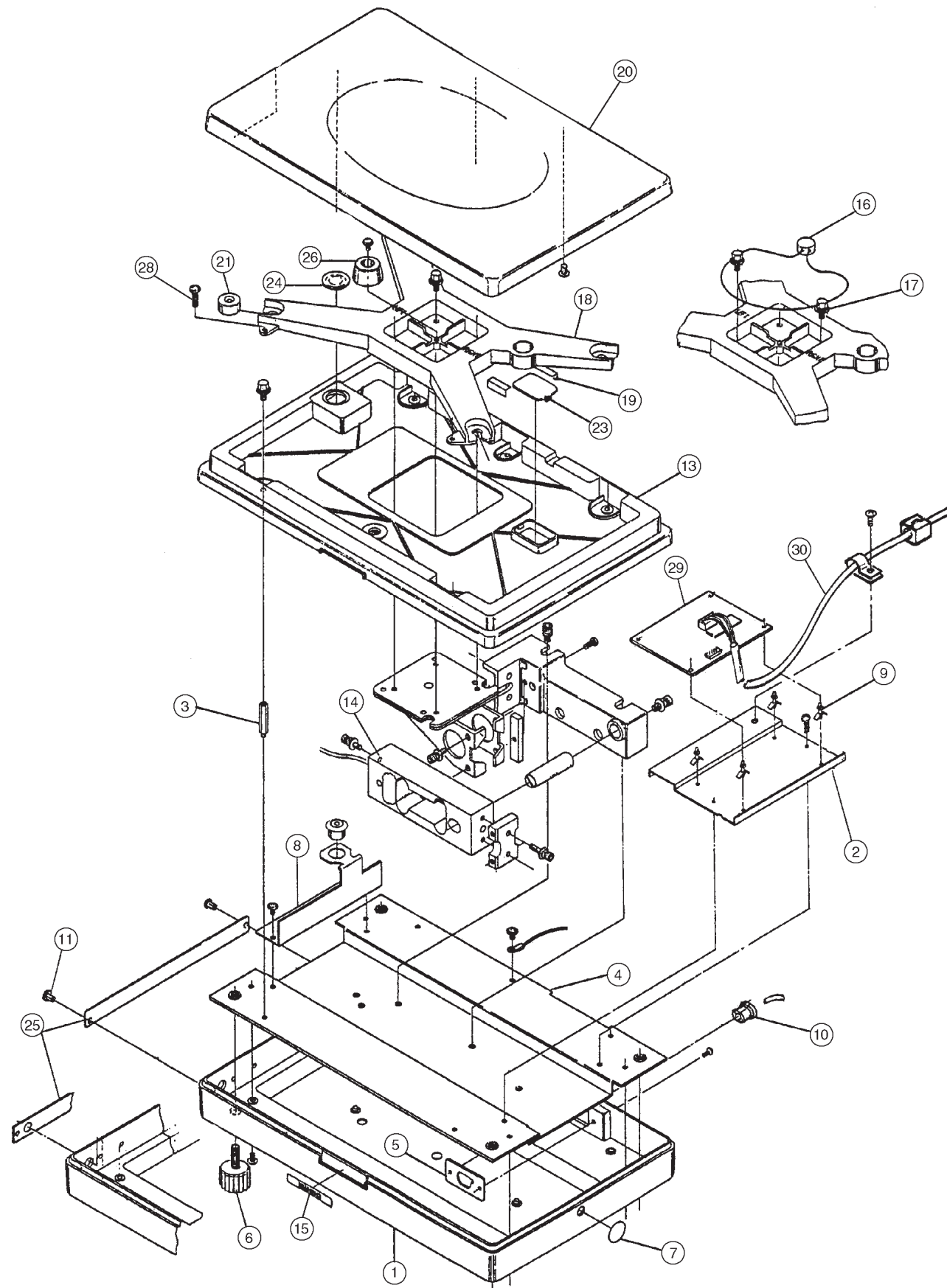
An ISO 9001 Registered Company ©2026 Rice Lake Weighing Systems 1/26 Prices and specifications subject to change without notice. Visit ricelake.com for current prices.

RICE LAKE
WEIGHING SYSTEMS

Discontinued Products

Ishida DP-3000

Scale Unit



Printer

Part Number/Price

REF #	PART #	DESCRIPTION	SYNONYM	PRICE
1	45145	Step screw, panhead, M4x12	36-0942-00	\$6.00
2	45146	Bracket, head	50-6167-15	\$49.25
3	45147	Spacer, head	39-4271-29	\$54.75
4	45159	Spring, compressive coil	08-7049-06	\$2.00
6	45161	Timing pulley, XL, AF 24xL037	00-6547-02	\$17.00
8	45165	Bearing, radial	00-3685-02	\$15.70
9	45175	Motor assembly, stepping with harness	40-3898-14	\$154.00
10	45186	Bracket, lock, head	36-2504-27	\$7.75
11	45187	Frame, head	36-2505-30	\$123.50
12	45188	Threaded rod, round, FF	36-2507-00	\$21.00
13	45201	Guide, media	20-6991-11	\$11.00
14	45203	Spring, compressive coil	00-6375-09	\$2.00
15	45204	Spring, tension coil	00-6376-02	\$1.75
16	45206	Spring, tension coil	00-6377-06	\$3.00
17	45207	Spring, coil compression	00-6213-18	\$12.00
18	44330	Bearing, radial	00-3682-01	\$15.95
19	45209	Spacer	89-2178-05	\$9.50
20	45211	Spacer	89-2179-09	\$3.00
21	45213	Washer, collar	00-6506-00	\$1.25
22	45214	Washer, collar	00-6306-01	\$1.25
23	45216	Washer, collar	00-6184-04	\$1.50
24	45217	Bobbin	42-1273-05	\$4.50
25	45218	Shaft, winding	50-6304-28	\$49.25
26	44224	Pin, U-shaped	00-6186-01	\$11.00
28	45221	Shaft, fulcrum	00-6168-13	\$5.00
29	45222	Shaft, lock	49-6373-12	\$93.00
30	45223	Threaded rod, round, FF	50-6308-04	\$6.00
31	45224	Roller, printer	42-1238-04	\$18.00
32	45225	Peeling bar	02-8253-00	\$36.30
33	45226	Table, label	40-3638-12	\$6.75
34	45227	Press label	00-6188-09	\$1.50
35	45228	Timing pulley, 12XL037	00-6545-05	\$5.50
36	45229	Timing pulley, XL, AF	41-1527-03	\$14.00
37	45232	Guide, media	08-7084-43	\$1.75
38	46987	Knob, round, K-8075, 3.3	00-2982-05	\$2.20
39	46988	Name plate, operation	00-6671-01	\$2.75
40	45233	Cutter, receipt	89-1359-09	\$35.00
41	45124	Bushing, cable accessory	43-3820-07	\$3.00
42	47041	Plate, explanation	50-0532-01	\$62.25
43	46995	Name plate, specification	50-0530-03	\$31.50
44	47042	Plate B, frame	46-7423-08	\$24.25
45	50288	Frame, drive, R	50-6306-25	\$17.25
46	50287	Frame, drive	50-6312-19	\$23.00

Price and availability confirmation recommended

An ISO 9001 Registered Company ©2026 Rice Lake Weighing Systems 1/26 Prices and specifications subject to change without notice. Visit ricelake.com for current prices.

RICE LAKE
WEIGHING SYSTEMS

Discontinued Products

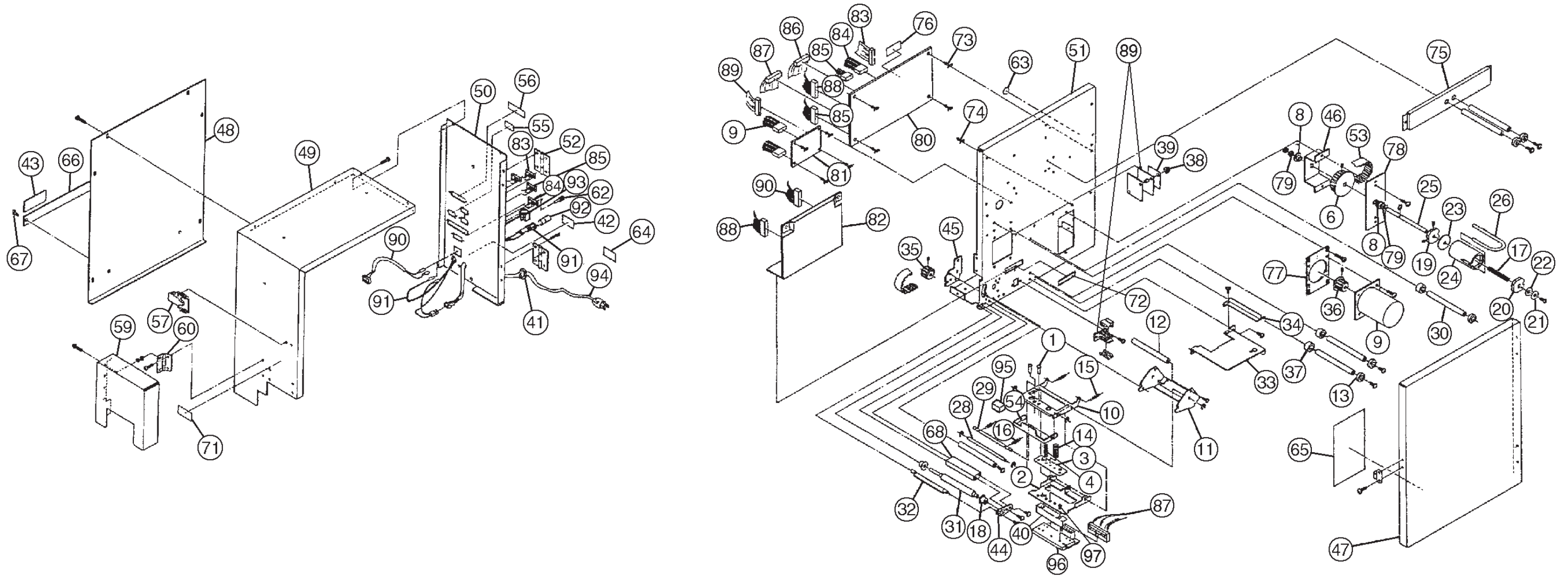
Printer

Part Number/Price

REF #	PART #	DESCRIPTION	SYNONYM	PRICE
47	47045	Cover, side, right	46-2567-49	\$113.40
48	47046	Cover, side, left	46-2566-45	\$148.05
49	47047	Cover, front	46-2568-89	\$213.15
50	47048	Cover, rear	46-2569-64	\$97.65
51	50286	Frame, printer	50-6309-44	\$110.25
52	47050	Hinge, printer	06-0103-04	\$18.50
53	47051	Timing belt, XL	03-3310-08	\$28.60
54	47052	Plate B, lever	49-6298-43	\$132.00
55	47053	Plate A, square	47-3200-07	\$15.40
56	47054	Plate A, square	01-4535-08	\$2.75
57	47055	Lock, snap printer	45-9582-07	\$51.00
59	47056	Cover, printer	46-7297-79	\$113.40
60	47057	Hinge	12-8773-09	\$59.50
62	45173	Rod, threaded, hex, MF	39-4383-13	\$9.50
63	45181	Name plate, specification	43-1783-05	\$29.75
64	45122	Name plate, fuse, operation	38-6839-05	\$0.50
65	47058	Plate, explanation	49-6297-03	\$6.35
66	47035	Name plate, specification	50-2586-09	\$5.25
67	42734	Push rivet	00-4761-06	\$2.00
68	47059	Block A	49-6438-11	\$123.50
71	47062	Magnet, sheet	50-0583-10	\$11.50
72	47063	Bushing, universal	50-0582-16	\$2.20
73	47027	Spacer, power supply board	00-1796-05	\$2.00
74	47064	Spacer card	00-1824-06	\$1.00
75	47065	Bracket, label	50-0780-17	\$49.25
76	50285	Name plate, explanation, fuse	50-0794-00	\$3.30
77	50284	Bracket, motor	50-6307-01	\$17.25
78	50283	Bracket, winding	50-6305-03	\$17.25
79	45160	Washer, collar	02-8254-03	\$2.00
80	53868	CPU board, 256K memory, P-834C	68-5174-06	\$765.00
--	47221	Fuse, pico, 1A, 125V, 38-6725-04	50-6040-07	\$8.15
--	47210	Battery, lithium	33-7701-02	\$27.50
81	47067	Sensor, peeling assembly with PCB	49-0355-04	\$220.50
82	77975	Power supply, switch, SWD 100P	102-9575-06	\$252.00
--	77889	Fuse, power supply, 5A, 250V, 5x20		\$2.00
83	47068	Harness, C3, I2NET	47-3678-03	\$74.55
84	47069	Harness, C2, scale 2	47-3159-07	\$59.85
85	47070	Harness, C3, console 2	47-3160-01	\$121.80
86	47071	Harness, S2, sensor	47-3679-07	\$67.20
87	47072	Harness, S2, thermal head	49-0331-05	\$31.90
88	47073	Harness, S2, power supply	47-3677-19	\$34.00
89	47004	Sensor, label	39-1585-27	\$47.30
90	45244	Harness, C3, power supply	36-3405-16	\$4.75
91	45241	Fuse, assembly	36-3404-12	\$15.25
92	47075	Fuse, glass tube, 5A, 250V, 3AG	33-3882-09	\$4.00
93	47076	Switch, seesaw	39-6783-08	\$13.20
94	47077	Harness, C3, power 9ft	49-2601-17	\$42.90
95	47078	Peeling sensor, photo interrupter only	35-2555-01	\$30.80
96	45237	Printhead, thermal	36-2636-16	\$252.00
97	41633	Screw, cap, M3 x 6	02-1922-02	\$2.00

Ishida DP-3000

Printer



ISHIDA DP-3000

Wipe Off Applicator

Part Number/Price

REF #	PART #	DESCRIPTION	SYNONYM	PRICE
1	48267	Cover, front	50-0576-22	\$103.95
2	48255	Grommet, without diaphragm	17-5091-08	\$1.50
3	48274	Door, printer	50-6314-07	\$127.05
4	48280	Handle	52-6701-00	\$58.80
5	47058	Plate, explanation	49-6297-03	\$6.35

Discontinued Products

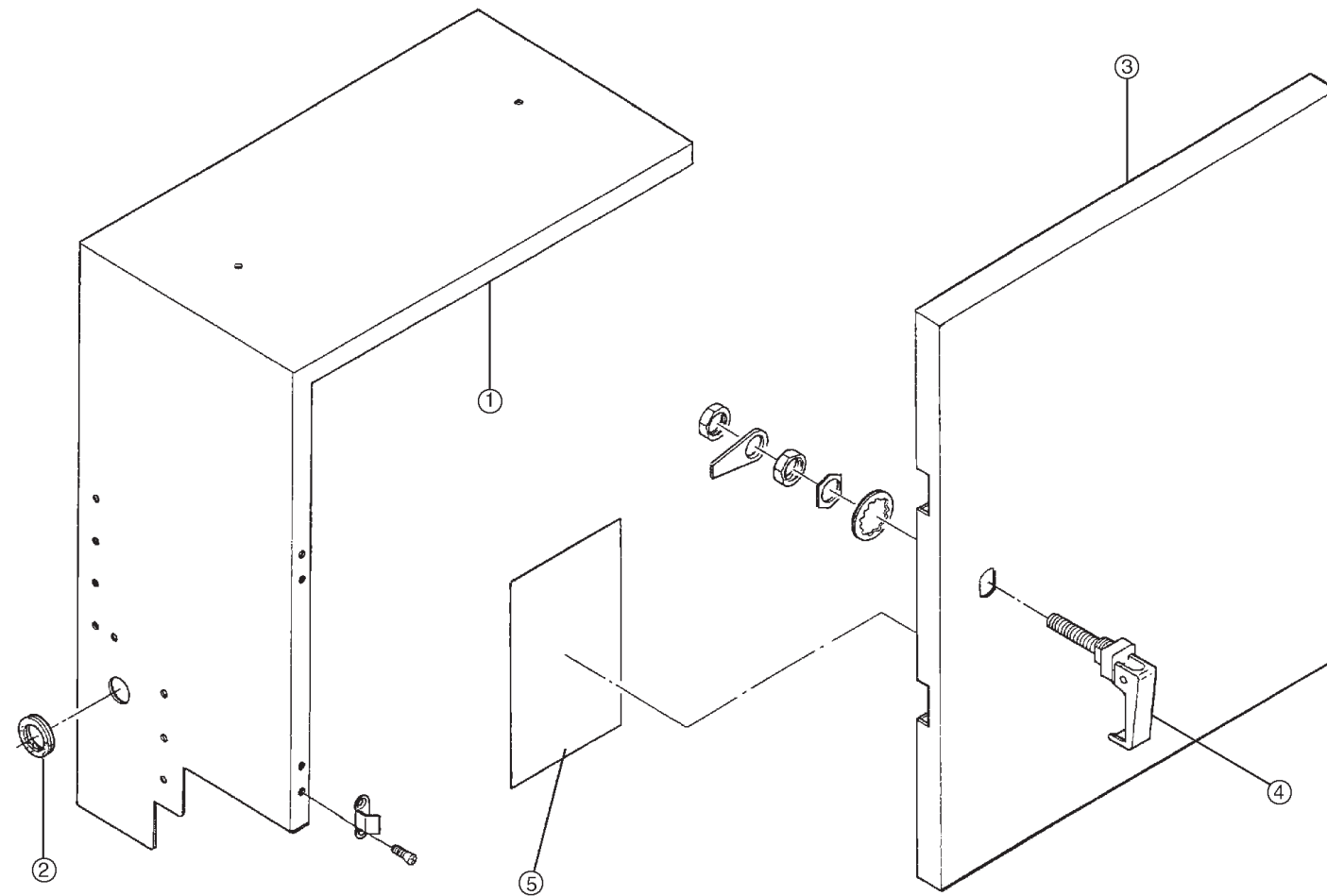
Price and availability confirmation recommended

An ISO 9001 Registered Company ©2026 Rice Lake Weighing Systems 1/26 Prices and specifications subject to change without notice. Visit ricelake.com for current prices.

RICE LAKE
WEIGHING SYSTEMS

Ishida DP-3000

Wipe Off Applicator



ISHIDA DP-3000

Wipe Off Applicator

Part Number/Price

REF #	PART #	DESCRIPTION	SYNONYM	PRICE
1	48281	Vacuum unit	52-6745-03	\$458.85
2	48283	Cover unit, vacuum	52-6898-00	\$242.55
3	47040	Peeling bar	00-6175-01	\$20.90
4	45220	Release lever	00-6166-07	\$2.20
5	48258	Clamp, nylon accessory	34-0237-02	\$2.20
6	48238	Screw, cross truss, M4x12 button head	00-0240-08	\$1.25
7	48237	Plain washer, M4 SST	00-0142-06	\$2.00
8	42854	Lock washer, M4 SST	00-0172-08	\$2.00
9	48236	Hex nut, M4 SST, T1	00-0106-01	\$2.00
10	48284	Sensor assembly	52-9505-07	\$242.55
97	41633	Screw, cap, M3x6	02-1922-02	\$2.00

Price and availability confirmation recommended

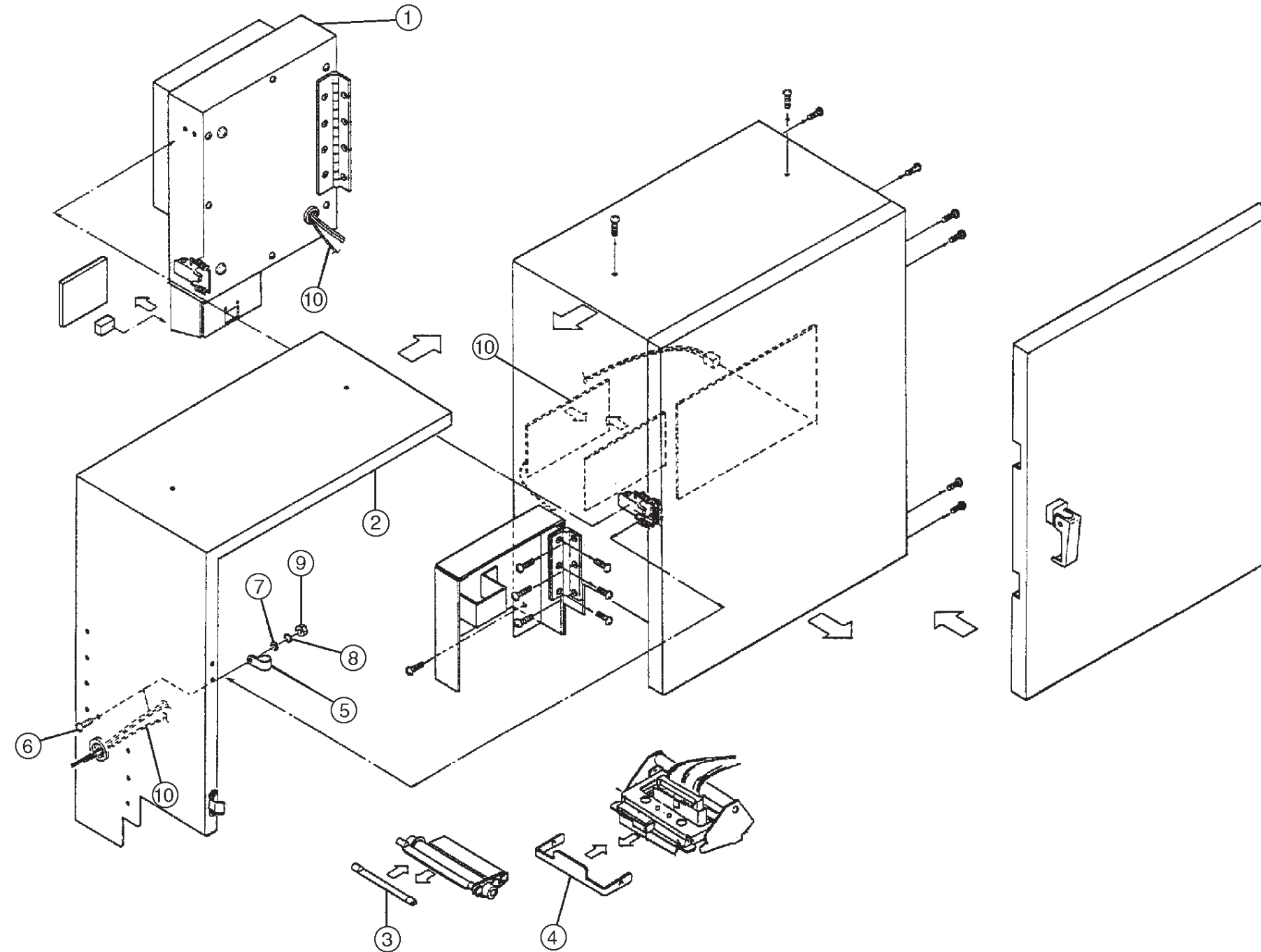
An ISO 9001 Registered Company ©2026 Rice Lake Weighing Systems 1/26 Prices and specifications subject to change without notice. Visit ricelake.com for current prices.

RICE LAKE
WEIGHING SYSTEMS

Discontinued Products

Ishida DP-3000

Wipe Off Applicator



Wipe Off Applicator

Part Number/Price

REF #	PART #	DESCRIPTION	SYNONYM	PRICE
1	48269	Frame, fan	50-0578-39	\$107.10
2	48266	Frame, fan, side	50-0575-10	\$34.10
3	48271	Cover, fan	50-0781-20	\$74.55
4	48268	Frame, vacuum	50-0577-26	\$118.65
5	48270	Plate A	50-0579-14	\$25.30
6	48272	Hinge	50-0898-03	\$77.70
7	48273	Damper	50-0899-07	\$3.30
8	48255	Grommet, without diaphragm	17-5091-08	\$1.50
9	47055	Lock snap	45-9582-07	\$51.00
10	48265	Fan assembly	48-0466-07	\$142.80
11	48282	Harness, C2	52-6790-01	\$15.40

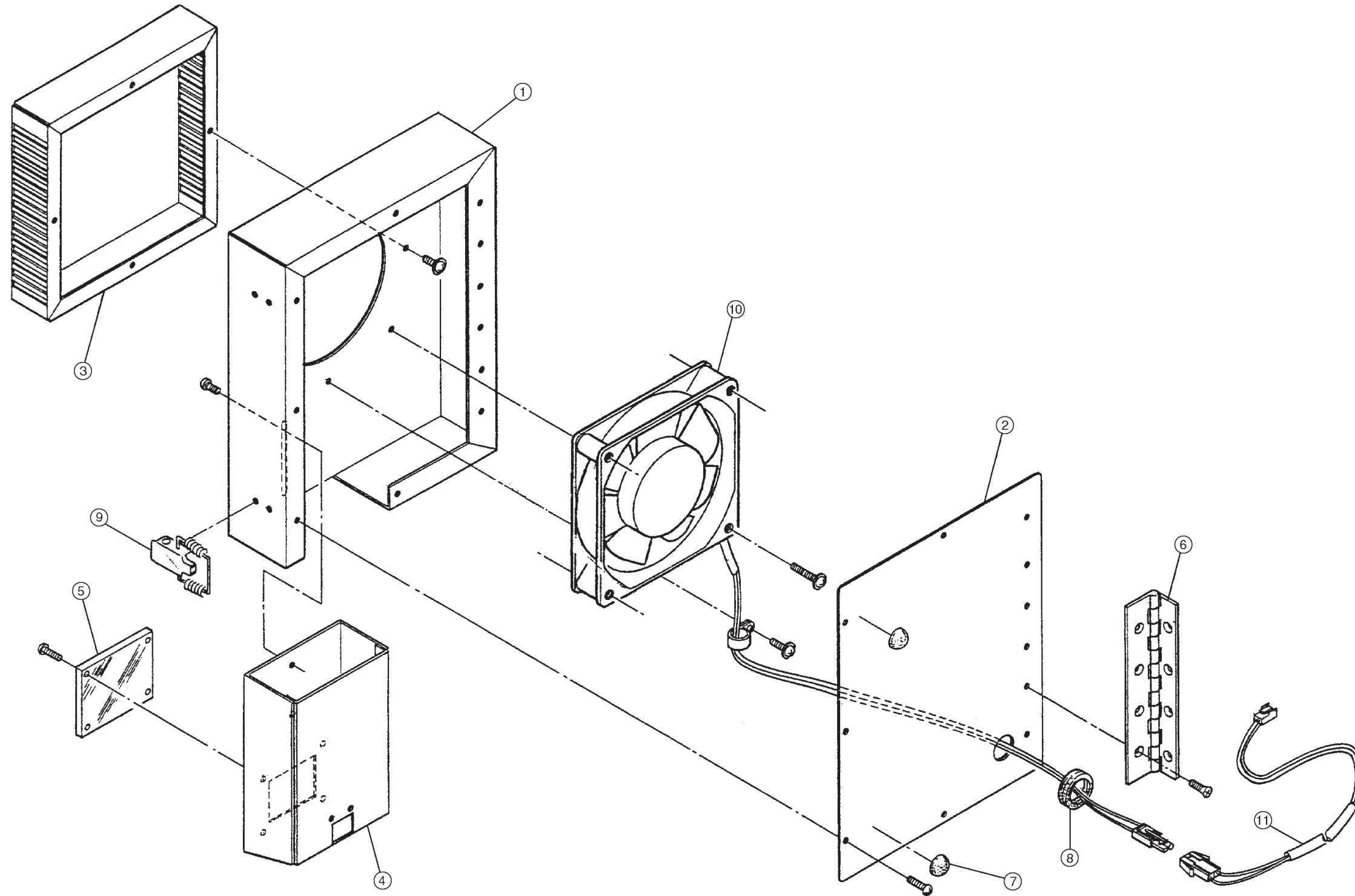
Price and availability confirmation recommended

An ISO 9001 Registered Company ©2026 Rice Lake Weighing Systems 1/26 Prices and specifications subject to change without notice. Visit ricelake.com for current prices.



Ishida DP-3000

Wipe Off Applicator



Ishida WPL-3000



*Pictured in L-configuration
with optional equipment*

Price and availability confirmation recommended

An ISO 9001 Registered Company ©2026 Rice Lake Weighing Systems 1/26 Prices and specifications subject to change without notice. Visit ricelake.com for current prices.

RICE LAKE
WEIGHING SYSTEMS

Discontinued Products

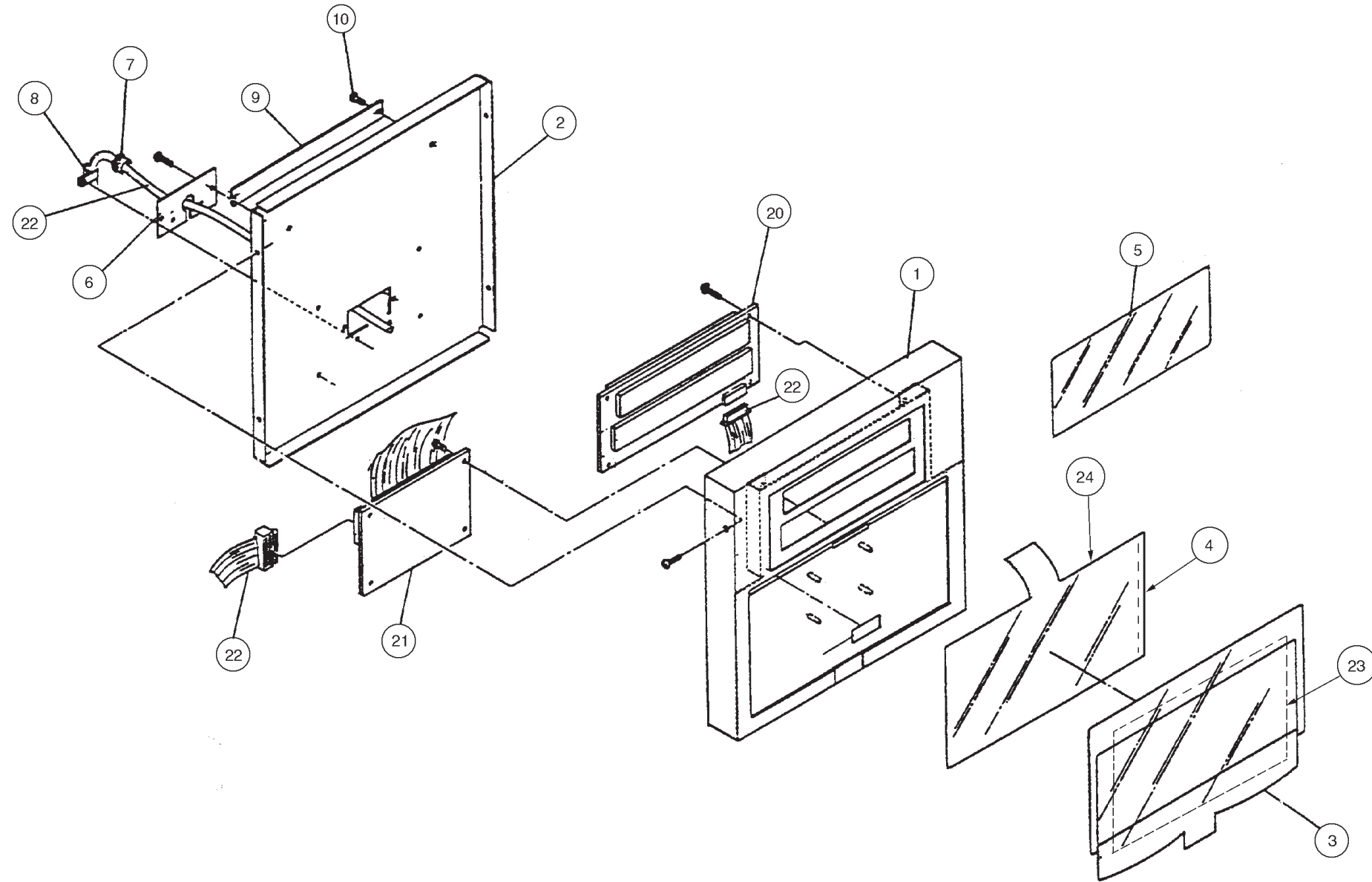
Operation Unit

Part Number/Price

REF #	PART #	DESCRIPTION	SYNONYM	PRICE
1	47011	Housing, operation unit	44-8249-32	\$313.95
2	47012	Bracket, display	44-8251-59	\$211.00
3	46993	Keysheet, operator	40-3654-21	\$6.00
4	47226	Adhesive spacer	40-3658-08	\$9.10
5	47259	Panel, display	56-0684-16	\$19.80
6	47014	Plate B	47-3201-10	\$12.25
7	47015	Bushing, open lock	13-8916-01	\$3.00
8	47016	Clamp, nylon	02-3689-01	\$1.00
9	Consult	Name plate, specification	58-1474-00	\$5.25
10	42734	Push rivet	00-4761-06	\$2.00
20	50289	Display fluorescent, dot matrix	60-8741-01	\$519.75
21	47006	Board, buzzer, P-887	89-0450-57	\$67.75
22	47261	Harness, C3, console 1	56-0789-04	\$215.25
23	47225	Transparent sheet, includes adhesive spacer	40-3656-01	\$22.00
24	46994	Sheet, keyboard, assembly	40-3655-07	\$85.00

Ishida WPL-3000

Operation Unit



Scale Unit

Part Number/Price

REF #	PART #	DESCRIPTION	SYNONYM	PRICE
1	47019	Main body	02-5005-01	\$133.00
2	Consult	Bracket, PWB, scale	59-0479-11	\$24.20
3	47021	Threaded rod, threaded, hex	02-5011-04	\$8.00
4	47022	Base, weigh	02-5012-17	\$62.00
5	47023	Metal bracket	02-5013-01	\$4.70
7	47025	Seal	01-6314-09	\$2.00
8	Consult	Bracket, level	02-5009-06	9.10
9	47027	Spacer, power supply board	00-1796-05	\$2.00
10	47028	Bushing, cable	02-3151-05	\$5.50
11	42734	Push rivet	00-4761-06	\$2.00
13	47029	Enclosure	02-5006-05	\$79.00
14	47030	Load cell, CLC-25N	47-3068-01	\$404.00
15	47031	Name plate	32-4927-09	\$4.75
16	42735	Seal, with wire	22-3922-08	\$3.00
17	47032	Step screw, M4x10 SST	20-3677-01	\$27.00
18	45144	Platter supporter	00-6131-07	\$40.00
21	Consult	Spacer, scale	51-8867-13	\$18.25
24	42857	Cap, window	41-1971-13	\$4.00
25	Consult	Name plate, specification	58-1474-19	\$5.25
26	47036	Rubber pad	00-3926-00	\$3.00
28	47326	Screw, M4x18, panhead	03-2566-01	\$2.00
46	Consult	Hex bolt	00-0030-02	\$1.40
49	Consult	Frame, scale, guide	59-8707-00	\$194.25
52	Consult	Scale platter, lower	58-1324-04	\$92.40
54	Consult	Shaft, L	56-0614-06	\$24.40
58	47252	Roller	55-5265-01	\$63.00
59	Consult	Plate A, scale	58-1325-08	\$18.45
60	47034	Cap	02-5007-09	\$19.00
70	47669	A/D board, P-830B A/D	44-3785-43	\$216.30
71	Consult	Harness, C3, scale	56-0660-17	\$77.70
—	47302	Clamp, cable RLS	02-5032-02	\$4.70
—	47008	Tapping screw, M4x6 pan head flange washer zinc	00-0439-01	\$3.00
—	41732	Screw, cross truss, M4x6	00-0237-06	\$2.00
—	42719	Screw, cross truss, M4x8	00-0238-00	\$2.00
—	41739	Screw with washer M4x12, button head	02-1790-08	\$2.00
—	48236	Hex nut, T1, M4	00-0106-01	\$2.00
—	45502	Screw, tapping, cross pan head recessed, M3.5x6	05-6418-01	\$2.00
—	47007	Screw, M4x8, panhead, chromate	00-0440-06	\$2.00

Price and availability confirmation recommended

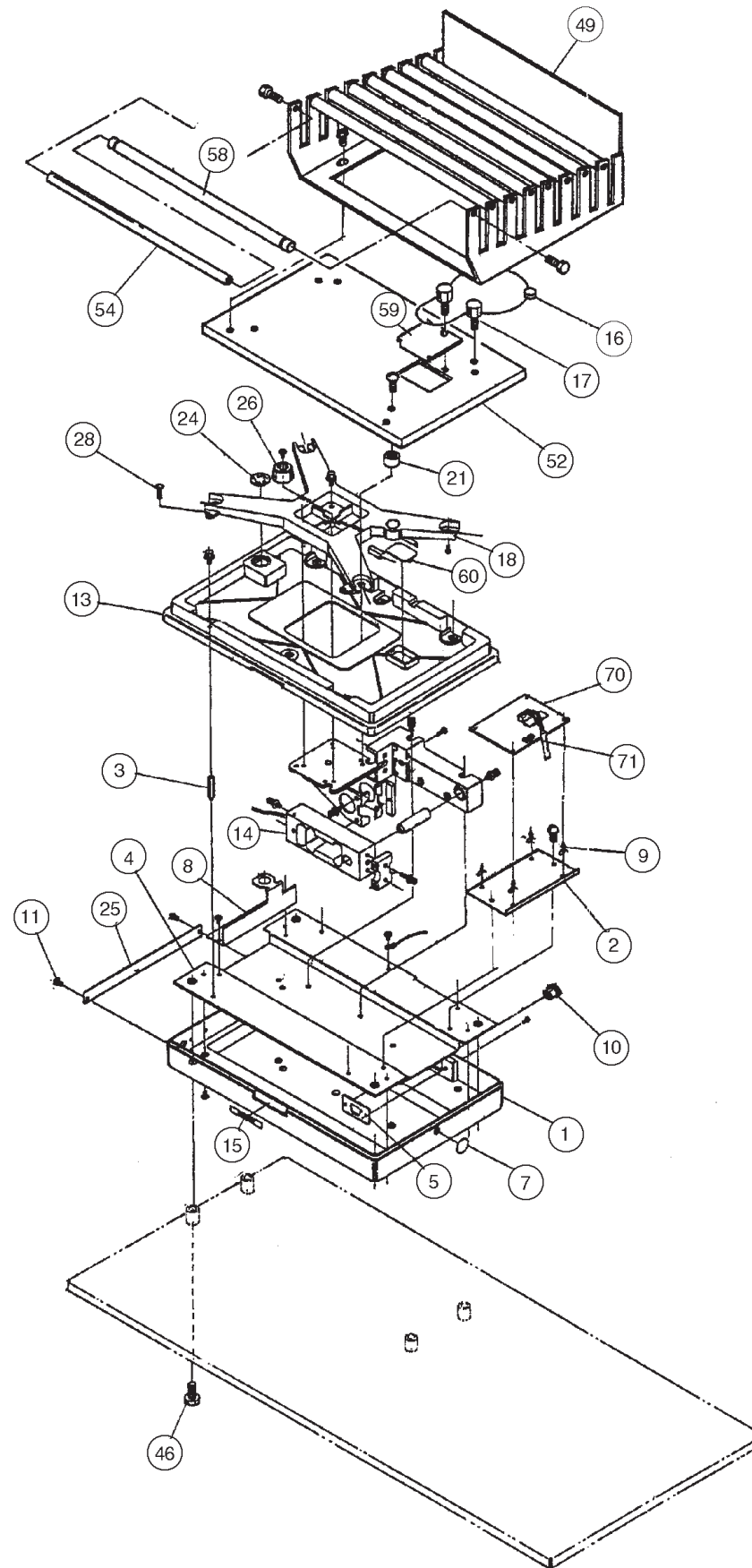
An ISO 9001 Registered Company ©2026 Rice Lake Weighing Systems 1/26 Prices and specifications subject to change without notice. Visit ricelake.com for current prices.

RICE LAKE
WEIGHING SYSTEMS

Discontinued Products

Ishida WPL-3000

Scale Unit



Scale Conveyor (left to right)

Part Number/Price

REF #	PART #	DESCRIPTION	SYNONYM	PRICE
1	Consult	Frame, slide, R	59-4235-13	\$142.80
2	Consult	Frame, slide, L	59-4236-17	\$142.80
4	Consult	L plate B, connection, front, R	57-4562-08	\$27.50
6	Consult	L plate B, connection, front, L	57-4563-01	\$33.00
8	Consult	Block A, scale, frame	54-7268-20	\$55.65
9	Consult	Shaft, belt, tension	58-1056-06	\$42.90
10	Consult	Roller, belt, tension	58-1057-00	\$52.50
12	Consult	Bearing, radial, miniature	58-1230-08	\$26.40
13	47250	Belt, round, endless motor	55-0517-01	\$23.10
14	47267	Filter, regulator	57-4697-07	\$216.30
15	47274	Air cylinder	58-1470-05	\$266.70
17	46984	E-ring, M4 SST	00-0288-06	\$2.00
18	Consult	Bearing, radial, deep groove	05-4285-06	\$16.50
19	47171	Cam follower, cylindrical	00-3717-08	\$152.25
20	48713	Gear head	59-4457-04	\$175.35
21	Consult	C ring, for shaft, M12 SST	51-5731-01	\$1.00
22	Consult	Joint, half union	58-1473-06	\$17.60
23	47409	Tube	13-0229-07	\$15.70
24	47410	Tube, black/8 mm dia./urethane	13-0230-01	\$7.70
25	Consult	Joint, 3 way union	04-6358-04	\$34.10
26	Consult	Speed controller, one touch	05-0001-01	\$67.20
28	Consult	Joint, half Union	04-5979-03	\$21.75
29	Consult	Silencer	04-3001-04	\$17.90
30	47273	Belt, round, endless	58-1231-01	\$124.95
31	Consult	Spacer, cover, cylinder	55-0674-11	\$15.70
32	Consult	Bracket, shaft, R	55-5300-17	\$95.55
33	Consult	Block B, pin, scale	56-8114-00	\$89.25
34	Consult	Bracket, sensor	60-1868-04	\$26.40
36	Consult	Bracket, cylinder	58-1060-11	\$194.25
37	Consult	Pulley, scale	54-7267-44	\$284.55
38	47251	Pulley, motor drive	55-0879-36	\$89.25
40	Consult	Bracket level	59-0238-10	\$20.35
41	42857	Cap, window	41-1971-13	\$4.00
42	45164	Level assembly	11-2855-01	\$21.45
43	Consult	Block A, cam follower	54-7434-68	\$67.20
44	Consult	Shaft, scale, front	54-7265-29	\$52.50
47	Consult	Plate A	56-0834-18	\$22.00
49	Consult	Cover, scale, connector	57-4612-29	\$67.20
50	Consult	Cover, scale, terminal	57-4605-31	\$55.65
51	Consult	Frame, slide, front	59-4240-21	\$142.80
52	Consult	Frame slide, rear	59-4239-27	\$115.50
53	Consult	Block B, cylinder	58-1061-05	\$59.85
54	Consult	Seal, signal, warning	54-2100-01	\$2.20
55	Consult	Seal, signal, caution	54-2104-06	\$2.20
57	Consult	Cover, PS, lower	59-0244-12	\$50.60
58	Consult	Base, weigh	58-1425-07	\$301.35
59	Consult	Frame, scale, L	59-8579-28	\$165.90
60	Consult	Frame, scale, R	60-1867-29	\$169.05
61	Consult	Shaft, discharge, support	61-2199-07	\$50.60
63	Consult	Bracket, scale, sensor L	56-2643-20	\$26.40
65	47272	Cover, scale, R	60-1866-16	\$444.15
66	Consult	Cover, scale, L	59-8872-11	\$252.00
67	Consult	Bracket, switch	59-0242-15	\$52.50
69	Consult	Guide, tray, applicator	61-2205-06	\$70.35
70	Consult	Bracket, scale, motor	56-2645-36	\$68.25
71	Consult	Cover, scale, rear	60-1865-03	\$74.05
72	47264	Cover, scale, front	56-0993-17	\$85.05
73	Consult	Cover, scale, cylinder	56-2655-15	\$92.40
75	Consult	Hex, bolt	01-7169-09	\$1.00
77	Consult	Sheet, slide, front	59-4237-01	\$86.10
78	Consult	Sheet, slide, rear	59-4238-05	\$66.15

Price and availability confirmation recommended

An ISO 9001 Registered Company ©2026 Rice Lake Weighing Systems 1/26 Prices and specifications subject to change without notice. Visit ricelake.com for current prices.

RICE LAKE
WEIGHING SYSTEMS

Discontinued Products

Scale Conveyor (left to right)

Part Number/Price

REF #	PART #	DESCRIPTION	SYNONYM	PRICE
79	Consult	Shaft, connection, front	57-4560-01	\$37.80
80	Consult	Guide, roller	01-4768-09	\$1.65
81	Consult	Cover, PS, lower	56-8120-11	\$52.50
82	Consult	Cover, transformer	58-4633-24	\$608.95
83	Consult	L plate B, regulator	57-4561-04	\$40.95
84	Consult	Shaft, scale, sensor	56-8325-09	\$20.25
85	Consult	L plate B, up/down, front	56-8072-16	\$28.35
86	Consult	L plate B, up/down, rear	56-8073-29	\$28.35
88	Consult	Duct, scale, R	58-1091-16	\$37.40
91	Consult	Accessory, bush, open lock	03-3135-02	\$2.20
92	Consult	Washer, inner, teeth	49-6010-01	\$0.50
93	42803	Name plate	02-5480-08	\$1.50
94	47027	Spacer, power supply board	00-1796-05	\$2.00
95	Consult	Pin, scale	56-8115-12	\$19.55
97	Consult	Bracket, magnetic valve	58-1467-03	\$13.20
98	Consult	Plate A	58-1090-03	\$9.90
99	Consult	Joint, half union	04-3004-05	\$10.75
100	Consult	Joint, nipple	04-6352-02	\$19.55
101	Consult	Joint, half union	03-3911-06	\$11.00
102	Consult	Name plate, specification	58-1474-19	\$5.25
103	47041	Name plate, explanation	50-0532-01	\$62.25
104	Consult	Name plate, junction	54-2154-02	\$2.50
105	Consult	Seal, signal, junction	54-2134-08	\$4.15
106	Consult	Lug	58-1058-03	\$110.25
107	Consult	Bracket, scale, fan	58-4663-17	\$67.20
110	Consult	Collar, spacer	00-9540-08	\$0.50
111	42972	Collar, spacer M5x6	00-0399-06	\$1.25
112	Consult	Wave washer	51-4616-01	\$1.00
113	Consult	Screw, cross pan head	02-1853-09	\$0.50
114	Consult	Frame, power supply	61-9932-15	\$55.65
120	47260	Motor assembly	56-0731-27	\$274.05
121	Consult	Harness, C3, motor	57-7092-14	\$30.80
122	47256	Sensor assembly, timing	56-0655-09	\$144.40
123	Consult	Harness, C2, PS1	57-7089-03	\$10.20
124	53961	Magnetic valve assembly	56-0654-14	\$178.50
125	Consult	Harness, C3, PS 3	57-7090-17	\$11.85
126	Consult	Harness, C6, conveyor 2	56-0729-29	\$133.35
127	47257	Harness, S2, conveyor	56-0661-11	\$197.40
129	Consult	Harness, C3, clutch	57-4832-12	\$23.10
130	Consult	Harness, C6, PS	60-1547-18	\$77.70
133	Consult	Harness, C3, PS 2	60-1548-02	\$14.30
134	Consult	AC inlet assembly	56-0726-37	\$52.50
135	47258	Harness, S2, power	56-0662-32	\$180.60
136	45173	Threaded rod, hex	39-4383-13	\$9.50
137	47227	Board, PWB, P-854A	40-6738-21	\$71.00
138	Consult	Harness, C2, PS	54-7241-01	\$42.90
139	Consult	Terminal, block	57-4926-00	\$28.60
140	42737	Filter, ferrite core, one touch diameter 8 mm	16-6798-03	\$12.60
141	65816	PWB, P-859	41-7119-09	\$31.90
142	Consult	Terminal, block	30-9611-06	\$4.15
143	47234	Switch, rotary	47-5192-08	\$103.95
145	77975	Power supply, switch, SWD 100P	102-9575-06	\$252.00
--	77889	Fuse, power supply, 5A, 250V, 5x20		\$2.00
146	Consult	Harness, S1, ground 1	57-7093-09	\$6.35
147	Consult	Fan assembly	58-1366-01	\$86.10
148	Consult	Harness, C3, fan	58-1381-07	\$52.50

Discontinued Products

Price and availability confirmation recommended

An ISO 9001 Registered Company ©2026 Rice Lake Weighing Systems 1/26 Prices and specifications subject to change without notice. Visit ricelake.com for current prices.

ISHIDA WPL-3000

Scale Conveyor (left to right)

Part Number/Price

REF #	PART #	DESCRIPTION	SYNONYM	PRICE
*149	47228	Power supply, switch, old style, SLS 150PW	40-6782-08	\$243.00
149	51910	Power supply, switch, LDA 30F	46-3180-09	\$120.75
--	Consult	Insulator, conveyor stand, short	56-0979-23	\$50.60
--	Consult	Insulator, conveyor stand, long	56-0980-28	\$71.40
--	Consult	Harness, C3, PS1	56-0737-10	\$19.55
--	Consult	Harness, C7, PS	57-7094-02	\$31.90
--	Consult	Harness, S2, ground 3	58-1499-02	\$4.40
999	49430	Level leg, stand		\$68.00
999	49431	Caster, stand		\$9.00

*Note: Old style, WPL-3000 prior to s/n 801xxxx

Discontinued Products

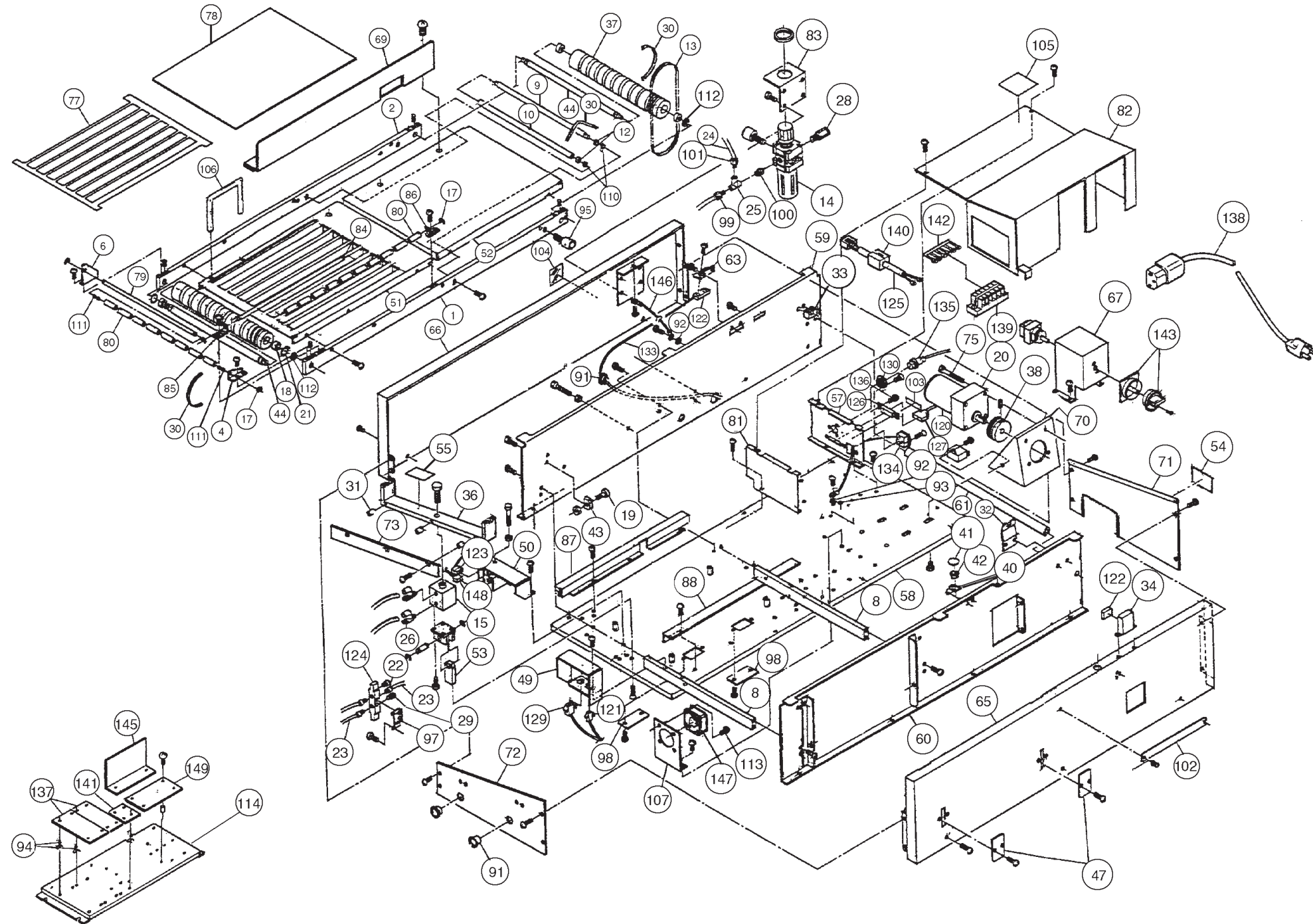
Price and availability confirmation recommended

An ISO 9001 Registered Company ©2026 Rice Lake Weighing Systems 1/26 Prices and specifications subject to change without notice. Visit ricelake.com for current prices.

RICE LAKE
WEIGHING SYSTEMS

Ishida WPL-3000

Scale Conveyor (left to right)



Scale Conveyor (right to left)

Part Number/Price

REF #	PART #	DESCRIPTION	SYNONYM	PRICE
1	Consult	Frame, slide, R	59-4235-13	\$142.80
2	Consult	Frame, slide, L	59-4236-17	\$142.80
4	Consult	L plate B, interlock, front, R	60-4860-06	\$19.25
6	Consult	L plate B, interlock, front, L	60-4858-08	\$23.10
8	Consult	Block, A, scale, frame	54-7268-20	\$55.65
9	Consult	Shaft, belt, tension	58-1056-06	\$42.90
10	Consult	Roller, belt, tension	58-1057-00	\$52.50
12	Consult	Bearing, radial, miniature	58-1230-08	\$26.40
13	47250	Belt, round endless motor	55-0517-01	\$23.10
14	47267	Filter regulator	57-4697-07	\$216.30
15	47274	Air cylinder	58-1470-05	\$266.70
17	46984	E-ring, M4 SST	00-0288-06	\$2.00
18	Consult	Bearing, radial, deep groove	05-4285-06	\$16.50
19	47171	Cam follower, cylindrical	00-3717-08	\$152.25
20	48713	Gear head	59-4457-04	\$175.35
21	Consult	C ring, for shaft, M12 SST	51-5731-01	\$1.00
22	Consult	Joint, half union	58-1473-06	\$17.60
23	47409	Tube	13-0229-07	\$15.70
24	47410	Tube, black/8 mm dia./urethane	13-0230-01	\$7.70
25	Consult	Joint, 3 way union	04-6358-04	\$34.10
26	Consult	Speed controller, one touch	05-0001-01	\$67.20
28	Consult	Joint, half union	04-5979-03	\$22.00
29	Consult	Silencer	04-3001-04	\$17.90
30	47273	Belt, round endless	58-1231-01	\$124.95
31	Consult	Threaded rod, hex, MF	61-9581-02	\$39.60
32	Consult	Bracket, shaft, R	55-5300-17	\$95.55
33	Consult	Block B, pin, scale	56-8114-00	\$89.25
34	Consult	Bracket, sensor	60-1868-04	\$26.40
36	Consult	Bracket, cylinder	58-1060-11	\$193.20
37	Consult	Pulley, scale	54-7267-44	\$284.55
38	47251	Pulley, motor drive	55-0879-36	\$89.25
40	Consult	Bracket, level	59-0238-10	\$20.35
41	42857	Cap, window	41-1971-13	\$4.00
42	45164	Level assembly, bubble, window	11-2855-01	\$21.45
43	Consult	Block A, cam follower	54-7434-68	\$67.20
44	Consult	Shaft, scale, front	54-7265-29	\$52.50
47	Consult	Plate A	56-0834-18	\$22.00
49	Consult	Cover, scale, connector	60-4854-12	\$67.20
50	Consult	Cover, scale, terminal	60-4856-10	\$55.65
51	Consult	Frame, slide, front	60-4846-21	\$148.05
52	Consult	Frame, slide, rear	61-2198-03	\$39.60
53	Consult	Block B, cylinder	58-1061-05	\$74.55
54	Consult	Seal, signal, warning	54-2100-01	\$2.20
55	Consult	Seal, signal, caution	54-2104-06	\$2.20
57	Consult	Cover, PS, lower	60-4848-01	\$50.60
58	Consult	Base, weigh	62-4344-05	\$89.25
59	Consult	Frame, scale, L	60-4844-24	\$136.50
60	Consult	Frame, scale, R	60-4834-27	\$157.50
61	Consult	Shaft, discharge, support	61-2199-07	\$50.60
63	Consult	Bracket, scale, sensor L	56-2643-20	\$26.40
65	Consult	Cover, scale, R	60-4836-15	\$210.00
66	Consult	Cover, scale, L	60-4840-01	\$252.00

Price and availability confirmation recommended

An ISO 9001 Registered Company ©2026 Rice Lake Weighing Systems 1/26 Prices and specifications subject to change without notice. Visit ricelake.com for current prices.

RICE LAKE
WEIGHING SYSTEMS

Discontinued Products

Scale Conveyor (right to left)

Part Number/Price

REF #	PART #	DESCRIPTION	SYNONYM	PRICE
67	Consult	Bracket, switch	59-0242-15	\$52.50
69	Consult	Guide, tray, applicator	61-2206-00	\$55.65
70	Consult	Bracket, scale, motor	61-9582-06	\$128.10
71	Consult	Cover, scale, rear	60-4838-03	\$74.55
72	47264	Cover scale, in-feed front	60-4932-01	\$85.05
73	Consult	Cover, scale, cylinder	60-4930-03	\$92.40
75	Consult	Hex, bolt	00-0023-06	\$1.00
77	Consult	Sheet, slide, front	60-4942-08	\$74.55
78	Consult	Sheet, slide, rear	59-4238-05	\$66.15
79	Consult	Shaft, connection, front	57-4560-01	\$39.60
80	Consult	Guide, roller	01-4768-09	\$1.65
81	Consult	Cover, PS, lower	60-4928-05	\$26.40
82	Consult	Cover, transformer	60-4850-09	\$200.55
83	Consult	L plate B, regulator	57-4561-04	\$42.90
84	Consult	Shaft, scale, sensor	56-8325-09	\$20.90
85	Consult	L plate B, up/down, front	56-8072-16	\$29.70
86	Consult	L plate B, up/down, rear	56-8073-29	\$29.70
87	Consult	Duct, scale, L	60-4933-13	\$47.30
88	Consult	Duct, scale, R	60-4852-15	\$37.40
91	Consult	Accessory, bush, open lock	03-3135-02	\$2.20
92	Consult	Washer, inner, teeth	49-6010-01	\$0.50
93	42803	Name plate	02-5480-08	\$1.50
94	47027	Spacer, power supply board	00-1796-05	\$2.00
95	Consult	Pin, scale	56-8115-21	\$19.55
97	Consult	Bracket, magnetic valve	58-1467-03	\$13.20
98	Consult	Plate A	58-1090-03	\$9.90
99	Consult	Joint, half union	04-3004-05	\$10.75
100	Consult	Joint, nipple	04-6352-02	\$19.55
101	Consult	Joint, half union	03-3911-06	\$11.00
102	Consult	Name plate, specification	58-1474-19	\$5.25
103	47041	Name plate, explanation	50-0532-01	\$62.25
104	Consult	Name plate, junction	54-2154-02	\$2.50
105	Consult	Seal, signal, junction	54-2134-08	\$4.15
106	Consult	Lug	58-1058-03	\$110.25
107	Consult	Bracket, scale, fan	58-4663-17	\$67.20
110	Consult	Collar, spacer	00-9540-08	\$1.25
111	42972	Collar, spacer, M5x6	00-0399-06	\$1.25
112	Consult	Wave washer	51-4616-01	\$1.00
113	Consult	Screw, cross pan head	02-1853-09	\$0.50
120	47260	Motor assembly, scale conveyor	56-0731-27	\$274.05
121	Consult	Harness, C3, motor	57-7092-14	\$30.80
122	47256	Sensor assembly, timing	56-0655-09	\$144.40
123	Consult	Harness, C2, PS1	57-7089-03	\$10.20
124	53961	Magnetic valve assembly	56-0654-14	\$178.50
125	Consult	Harness, C3, PS 3	57-7090-17	\$11.85
126	Consult	Harness, C6, conveyor 2	56-0729-29	\$133.35
127	47257	Harness, S2, scale conveyor	56-0661-11	\$197.40
129	Consult	Harness, C3, clutch	57-4832-12	\$23.10
130	Consult	Harness, C6, PS	60-1547-18	\$77.70

Discontinued Products

Price and availability confirmation recommended

An ISO 9001 Registered Company ©2026 Rice Lake Weighing Systems 1/26 Prices and specifications subject to change without notice. Visit ricelake.com for current prices.

Scale Conveyor (right to left)**Part Number/Price**

REF #	PART #	DESCRIPTION		PRICE
133	Consult	Harness, C3, PS2	60-1548-02	\$14.30
134	Consult	AC inlet assembly	56-0726-37	\$52.50
135	47258	Harness, S2, power	56-0662-32	\$180.60
136	45173	Rod threaded, hex MF	39-4383-13	\$9.50
137	47227	Board, PWB, P-854 A	40-6738-21	\$71.00
138	Consult	Harness, C2, PS	54-7241-01	\$42.90
139	Consult	Terminal, block	57-4926-00	\$28.60
140	42737	Filter, ferrite core, one touch diameter 8 mm	16-6798-03	\$12.60
141	Consult	PWB, P-859	41-7119-09	\$31.90
142	Consult	Terminal, block	30-9611-06	\$4.15
143	47234	Switch, rotary	47-5192-08	\$103.95
145	77975	Power supply, switch, SWD 100P	102-9575-06	\$252.00
--	77889	Fuse, power supply, 5A, 250V, 5x20		\$2.00
146	Consult	Harness, S1, ground 1	57-7093-09	\$6.35
147	Consult	Fan assembly	58-1366-01	\$86.10
148	Consult	Harness, C3, PS	60-1546-05	\$12.65
*149	47228	Power supply, switch, old style, SLS 150PW	40-6782-08	\$243.00
149	51910	Power supply, switch, LDA 30F-24	46-3180-09	\$120.75
--	Consult	Harness, S2, ground 3	58-1499-02	\$4.40
--	Consult	Insulator, conveyor stand, short	56-0979-23	\$50.60
--	Consult	Insulator, conveyor stand, long	56-0980-28	\$71.40
--	Consult	Harness, C3, PS1	56-0737-10	\$19.55
--	Consult	Harness, C7, PS	57-7094-02	\$31.90
999	49430	Level leg, stand		\$68.00
999	49431	Caster, stand		\$9.00

Note: *Old style, WPL-3000 prior to s/n 801xxxx

Price and availability confirmation recommended

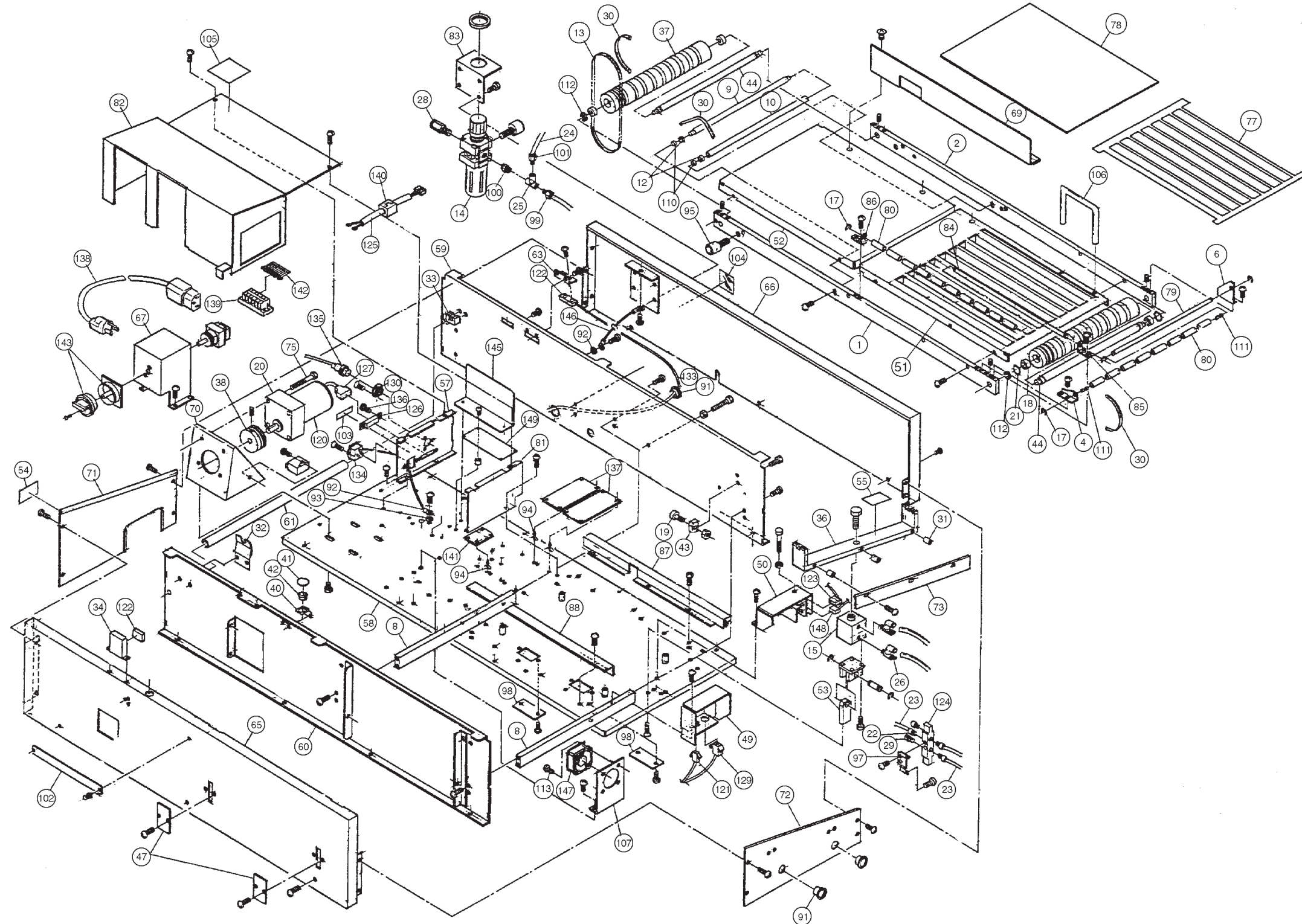
An ISO 9001 Registered Company ©2026 Rice Lake Weighing Systems 1/26 Prices and specifications subject to change without notice. Visit ricelake.com for current prices.

RICE LAKE
WEIGHING SYSTEMS

Discontinued Products

Ishida WPL-3000

Scale Conveyor (left to right)



Printer

Part Number/Price

REF #	PART #	DESCRIPTION		PRICE
1	45145	Screw, step, M4x12 SST, panhead	36-0942-00	\$6.00
2	45146	Bracket, head	50-6167-15	\$49.25
3	45147	Spacer, head	39-4271-29	\$54.75
4	45159	Spring, compressive, coil	08-7049-06	\$2.00
5	45160	Collar, washer	02-8254-03	\$2.00
6	45161	Timing pulley, XL, AF	00-6547-02	\$17.00
8	45165	Bearing, radial	00-3685-02	\$15.70
9	45175	Motor assembly, stepping	40-3898-14	\$154.00
10	45186	Bracket, lock, head	36-2504-27	\$7.75
11	45187	Frame, head	36-2505-30	\$123.50
12	45188	Rod, threaded, round FF	36-2507-00	\$21.00
13	45201	Guide, media	20-6991-11	\$11.00
14	45203	Spring, compressive, coil	00-6375-09	\$2.00
15	45204	Spring, tension, coil	00-6376-02	\$1.75
16	45206	Spring, tension, coil	00-6377-06	\$3.00
17	45207	Spring, compressive, coil	00-6213-18	\$12.00
18	44330	Bearing, radial	00-3682-01	\$15.95
19	45209	Spacer	89-2178-05	\$9.50
20	45211	Spacer	89-2179-09	\$3.00
21	45213	Collar, washer	00-6506-00	\$1.25
22	45214	Collar, washer	00-6306-01	\$1.25
23	45216	Collar, washer	00-6184-04	\$1.50
24	45217	Bobbin	42-1273-05	\$4.50
25	45218	Shaft, winding	50-6304-28	\$49.25
26	44224	Pin, u-shaped	00-6186-01	\$11.00
28	45221	Shaft, fulcrum	00-6168-13	\$5.00
29	45222	Shaft, lock	49-6373-12	\$93.00
30	45223	Rod, threaded, round FF	50-6308-04	\$6.00
31	45224	Roller, printer	42-1238-04	\$18.00
32	47040	Peeling bar	00-6175-01	\$20.90
33	45226	Table, label	40-3638-03	\$6.75
34	45227	Press, label	00-6188-09	\$1.50
35	45228	Timing pulley 12XL037	00-6545-05	\$5.50
36	45229	Timing pulley, XL, AF	41-1527-03	\$14.00
37	45232	Guide media, DWG #08	08-7084-43	\$1.75
38	46987	Knob, round, K-8075	00-2982-05	\$2.20
39	46988	Name plate, operation	00-6671-01	\$2.75
44	47042	Plate B, frame	46-7423-08	\$24.25
45	50288	Frame, drive, R	50-6306-25	\$17.25
46	50287	Frame, drive	50-6312-19	\$23.00
47	Consult	Door, printer	55-0559-25	\$89.25
48	47046	Cover, side, L	46-2566-45	\$148.05
49	Consult	Cover, front	56-0697-32	\$222.60
50	Consult	Cover, rear	56-0698-27	\$74.55
51	Consult	Frame, printer	56-0699-30	\$231.00
52	47050	Hinge, printer	06-0103-04	\$18.50
53	47051	Timing belt, XL	03-3310-08	\$28.60
54	45220	Release lever	00-6166-07	\$2.20
56	47054	Plate A, square	01-4535-08	\$2.75
57	47055	Lock, snap printer	45-9582-07	\$51.00
62	45173	Threaded rod, hex	39-4383-13	\$9.50
65	47058	Decal, label loading instructions	49-6297-03	\$6.35

Price and availability confirmation recommended

An ISO 9001 Registered Company ©2026 Rice Lake Weighing Systems 1/26 Prices and specifications subject to change without notice. Visit ricelake.com for current prices.

RICE LAKE
WEIGHING SYSTEMS

Discontinued Products

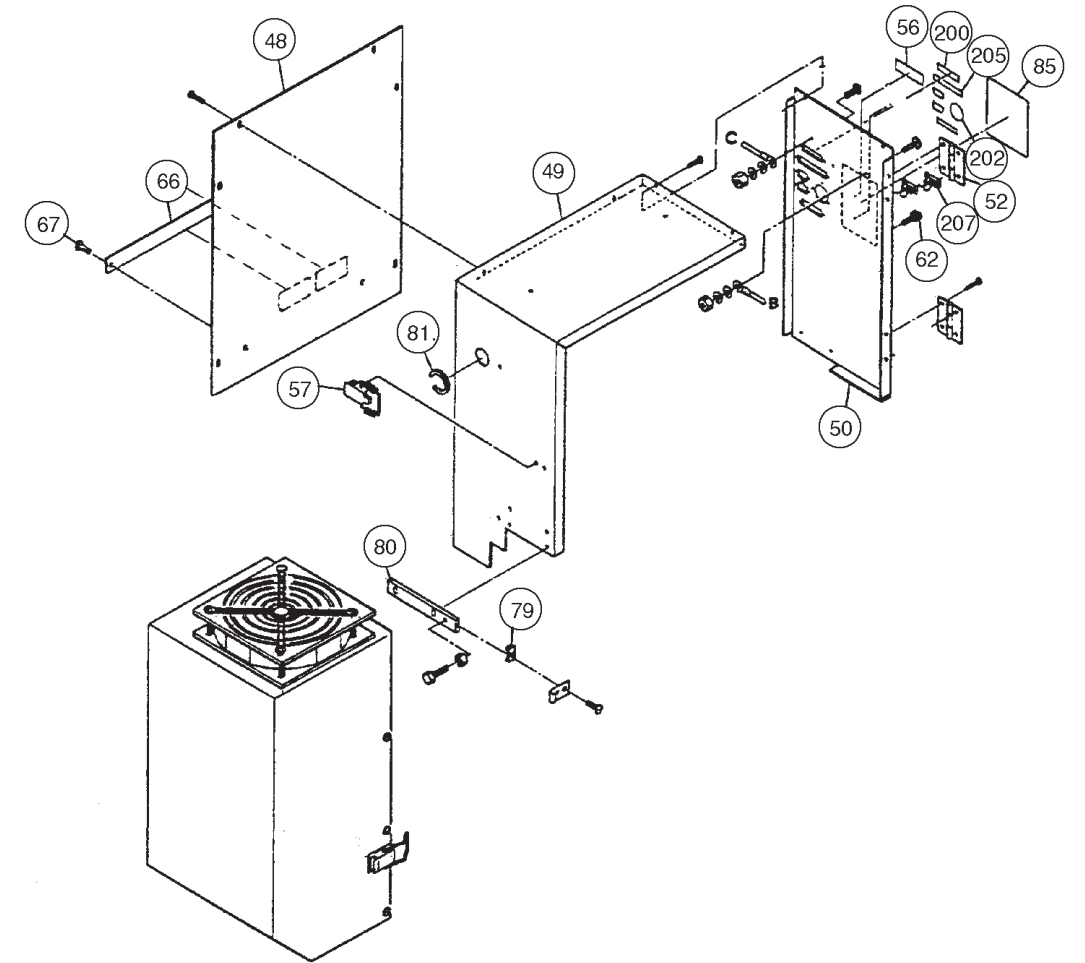
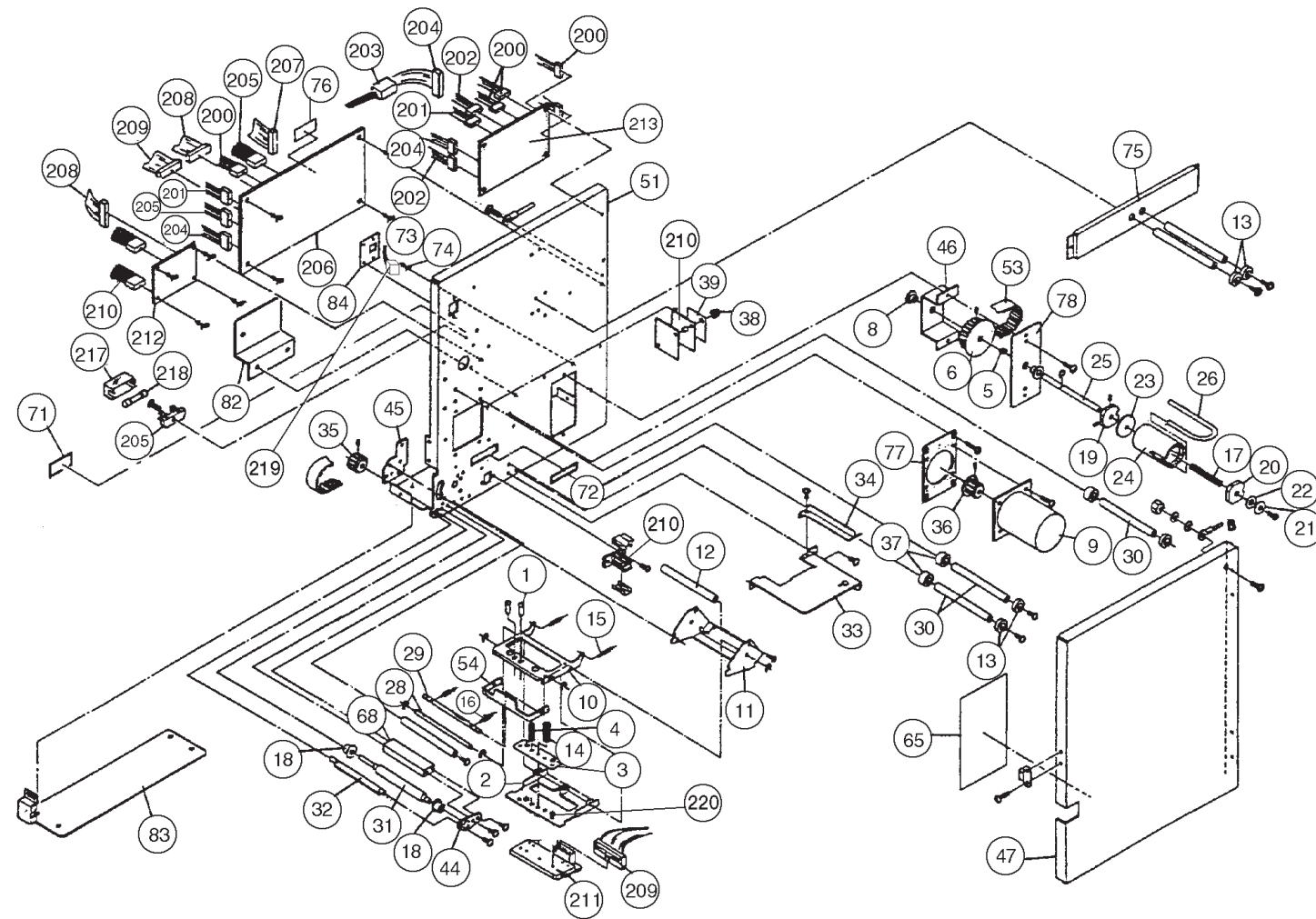
Printer

Part Number/Price

REF #	PART #	DESCRIPTION		PRICE
66	Consult	Name plate, specification	58-1474-19	\$6.35
67	42734	Push, rivet	00-4761-06	\$2.00
68	47059	Block A	49-6438-11	\$123.50
71	Consult	Name plate, fuse	60-8728-01	\$24.20
72	47063	Bushing, universal	50-0582-16	\$2.20
73	47027	Spacer, power supply board	00-1796-05	\$2.00
74	47064	Spacer card	00-1824-06	\$1.00
75	47065	Bracket, label	50-0780-17	\$49.25
76	50285	Name plate explanation	50-0794-00	\$3.30
77	50284	Bracket, motor	50-6307-01	\$17.25
78	50283	Bracket, winding	50-6305-03	\$17.25
79	Consult	U plate A, lock, applicator	55-0560-01	\$23.10
80	Consult	Block B, lock, applicator	55-0561-23	\$59.85
81	47015	Bushing, open lock	13-8916-01	\$3.00
82	Consult	Bracket, guard, belt	52-0428-10	\$36.30
83	Consult	Cover, printer, lower	57-4629-12	\$157.50
84	Consult	Bracket, switch	58-4607-09	\$25.30
85	Consult	Name plate, explanation	60-1909-03	\$5.50
200	Consult	Harness, C7, conveyer	59-8869-19	\$74.55
201	Consult	Harness, C2, PS	56-0724-02	\$24.20
202	Consult	Harness, C4, PS	60-1549-06	\$70.35
203	Consult	Filter, ferrite, one touch	18-6768-06	\$14.05
204	Consult	Harness, S2, I/O	56-0722-14	\$67.20
205	Consult	Harness, C4, console	60-1550-10	\$86.10
206	53868	Board, CPU, 256K memory, P-834C	68-5174-06	\$765.00
--	47221	Fuse, pico, 1A, 125V	38-6725-04, 50-6040-07	\$8.15
--	47210	Battery, lithium	33-7701-02	\$27.50
207	47068	Harness, C3, I2net	47-3678-03	74.55
208	47071	Harness, S2, sensor	47-3679-07	67.20
209	47072	Harness, S2, thermal head	49-0331-05	31.90
210	47004	Sensor, label	39-1585-27	\$47.30
211	45237	Printer head, thermal	36-2636-16	\$252.00
212	Consult	PWB, P-904	60-8640-08	\$52.80
213	47249	Board, PWB P-892	54-7169-15	\$207.90
217	Consult	Cover, fuse, filter	60-1535-04	\$2.20
218	Consult	Fuse, ceramic, fast	49-8249-01	\$2.50
--	Consult	Harness, S2, ground 3, cover to printer frame	58-1499-02	\$4.40
--	Consult	Harness, C2, ground 4, printer to printer stand	58-1498-09	\$8.25
--	Consult	Harness, S2, ground 6, door to printer frame	61-2260-01	\$6.35
219	47275	Harness, C2, feed key	58-4885-08	\$50.60
220	41633	Screw, cap, M3 x 6	02-1922-02	\$2.00

Ishida WPL-3000

Printer



Applicator

Part Number/Price

REF #	PART #	DESCRIPTION	SYNONYM	PRICE
1	Consult	Frame, applicator	56-0702-10	\$217.35
2	Consult	Cover, application, front	56-0706-14	\$301.35
3	Consult	Cover, applicator, rear	57-4620-10	\$89.25
4	Consult	Bracket, cylinder	51-5730-16	\$77.70
5	Consult	Shaft, guide	48-0493-35	\$55.65
6	47278	Block A	49-8516-05	\$73.50
7	Consult	U plate A	57-4623-11	\$39.60
8	Consult	Block B, vacuum	58-4558-00	\$313.95
9	Consult	L plate A, L	51-5684-27	\$33.00
10	Consult	L plate A, R	51-5729-11	\$50.60
11	47238	Air cylinder	51-5732-04	\$261.45
--	*65411	Air cylinder	66-1595-01	126.00
12	47237	Valve assembly, magnetic	51-2845-01	198.45
13	47235	Bearing, linear bushing	49-2652-08	\$70.35
15	Consult	L plate A, applicator	48-0439-06	\$23.10
16	47231	Shaft, arm	43-3690-00	\$72.45
--	*65144	Shaft, arm	66-4248-00	126.00
17	Consult	Plain washer	28-4662-07	\$2.20
18	47645	Applicator, cushion	29-7829-19	\$7.45
19	Consult	Split pin	00-3519-07	\$0.50
20	47239	Spring, compressive, coil	51-5856-02	35.20
--	*65412	Spring, compressive, coil	66-4247-06	30.80
21	47236	Fan assembly, applicator	51-2844-07	\$103.95
22	66646	Fan, guard	00-1240-01	\$16.80
23	Consult	Lock, snap	00-3943-03	\$8.00
24	47410	Tube, black/8 mm dia./urethane	13-0230-01	\$7.70
25	47409	Tube, black/8 mm dia./urethane	13-0229-07	15.70
--	*47410	Tube, black/8 mm dia./urethane	13-0230-01	\$7.70
26	Consult	Joint, elbow union	04-5987-03	\$15.60
--	*65413	Joint, elbow union	04-5990-05	\$15.40
27	Consult	Speed control, one touch, elbow	04-9986-04	\$39.60
--	*65410	Speed control, one touch, elbow	23-8367-06	\$34.10
28	Consult	Joint, elbow union	04-5990-05	\$12.10
29	Consult	Joint, elbow	47-5369-00	\$24.20
30	Consult	Block A, hinge, upper,	59-8577-02	\$42.90
31	Consult	Block A, hinge, lower	59-8576-09	\$74.55
32	Consult	U plate A, fulcrum, applicator	55-0558-21	\$39.60
33	Consult	Shaft, joint	49-2792-24	\$52.50
34	Consult	Silencer	04-8913-09	\$22.00
35	Consult	Sheet	51-2723-00	\$9.10
36	Consult	Sheet	51-2724-03	\$1.40
37	Consult	Collar	51-0176-14	\$1.40
41	47268	Harness, peeling sensor	57-4772-31	\$77.70
43	Consult	Cover, wiring	61-2201-01	\$39.60
44	Consult	Plate B, cylinder	52-0323-03	\$26.40
46	Consult	Screw, cross pan head	04-1439-04	\$1.00

Note: *For extended applicator shaft model. Ref #16 extended shaft is 9 in (230 mm) long

Price and availability confirmation recommended

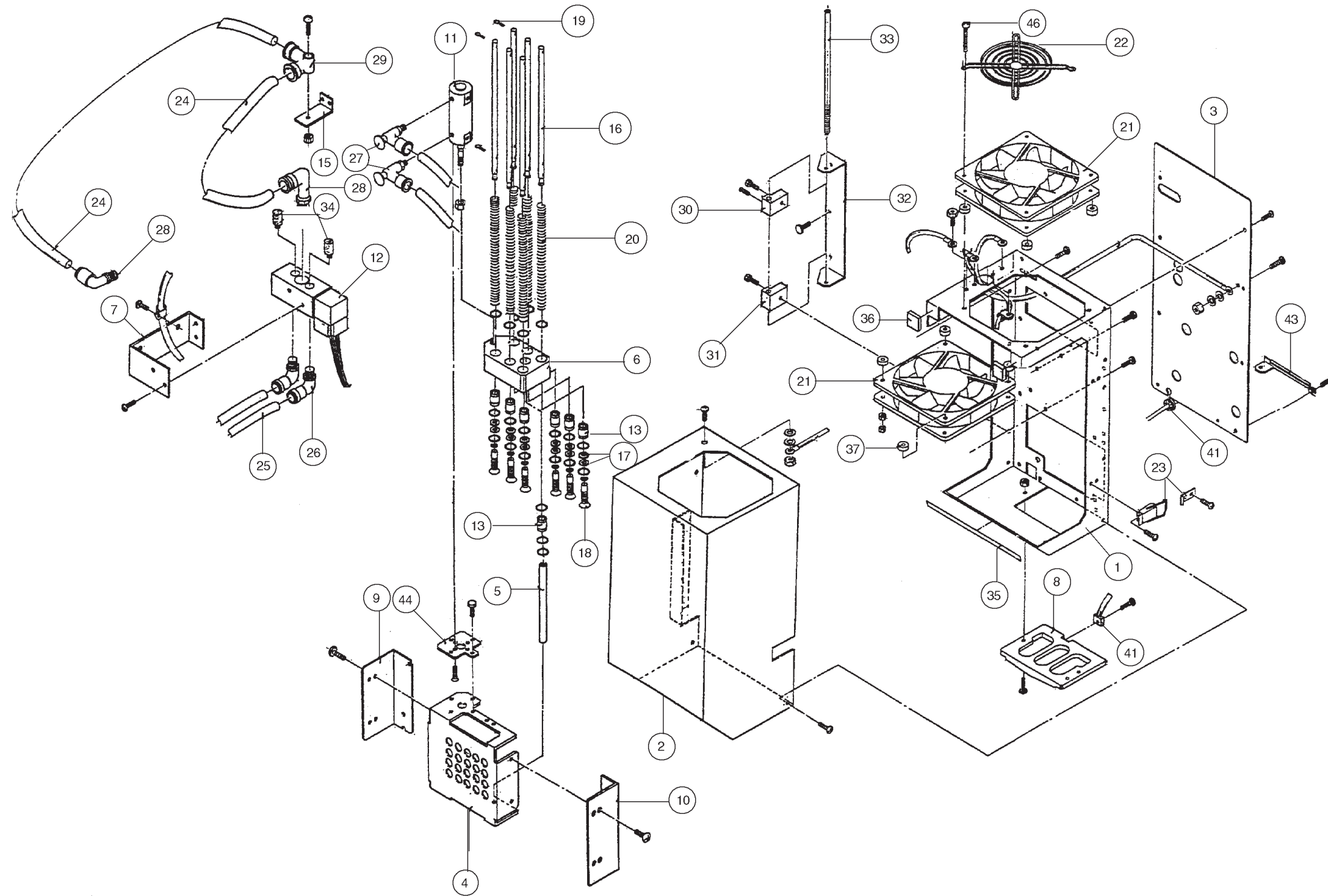
An ISO 9001 Registered Company ©2026 Rice Lake Weighing Systems 1/26 Prices and specifications subject to change without notice. Visit ricelake.com for current prices.

RICE LAKE
WEIGHING SYSTEMS

Discontinued Products

Ishida WPL-3000

Applicator



Printer Stand

Part Number/Price

REF #	PART #	DESCRIPTION	SYNONYM	PRICE
1	47253	Stopper	01-3069-05	\$76.65
2	47254	Cover, spring arm lift	59-8703-05	\$91.90
3	47271	Cover, upper harness arm	59-8704-09	\$162.75
4	Consult	Frame, lift, printer	55-5451-34	\$311.85
5	Consult	Guide, lift	55-5447-11	\$33.00
6	Consult	Cover, lift, rear	59-8700-04	\$52.50
7	Consult	Spacer, frame, printer	56-2639-15	\$29.70
8	47270	Cover, inner harness arm	59-8705-02	\$157.00
9	Consult	Frame, lift, printer	59-8708-21	\$357.00
10	Consult	Plate B	01-3053-06	\$44.00
11	Consult	Plate B	01-3052-02	\$49.50
12	Consult	Pin	01-3046-00	\$24.20
13	47495	Collar, spacer	00-9895-00	\$0.50
14	Consult	Snap Pin	00-9897-07	\$0.50
15	Consult	Spring, coil, compressive	54-7417-00	\$67.20
16	Consult	Knob	00-6941-07	\$2.75
17	Consult	Lever	59-8672-03	\$38.50
26	Consult	Spacer, lift, printer	59-8650-01	\$86.10
27	Consult	Stay, stand, printer	59-8699-12	\$50.60

Price and availability confirmation recommended

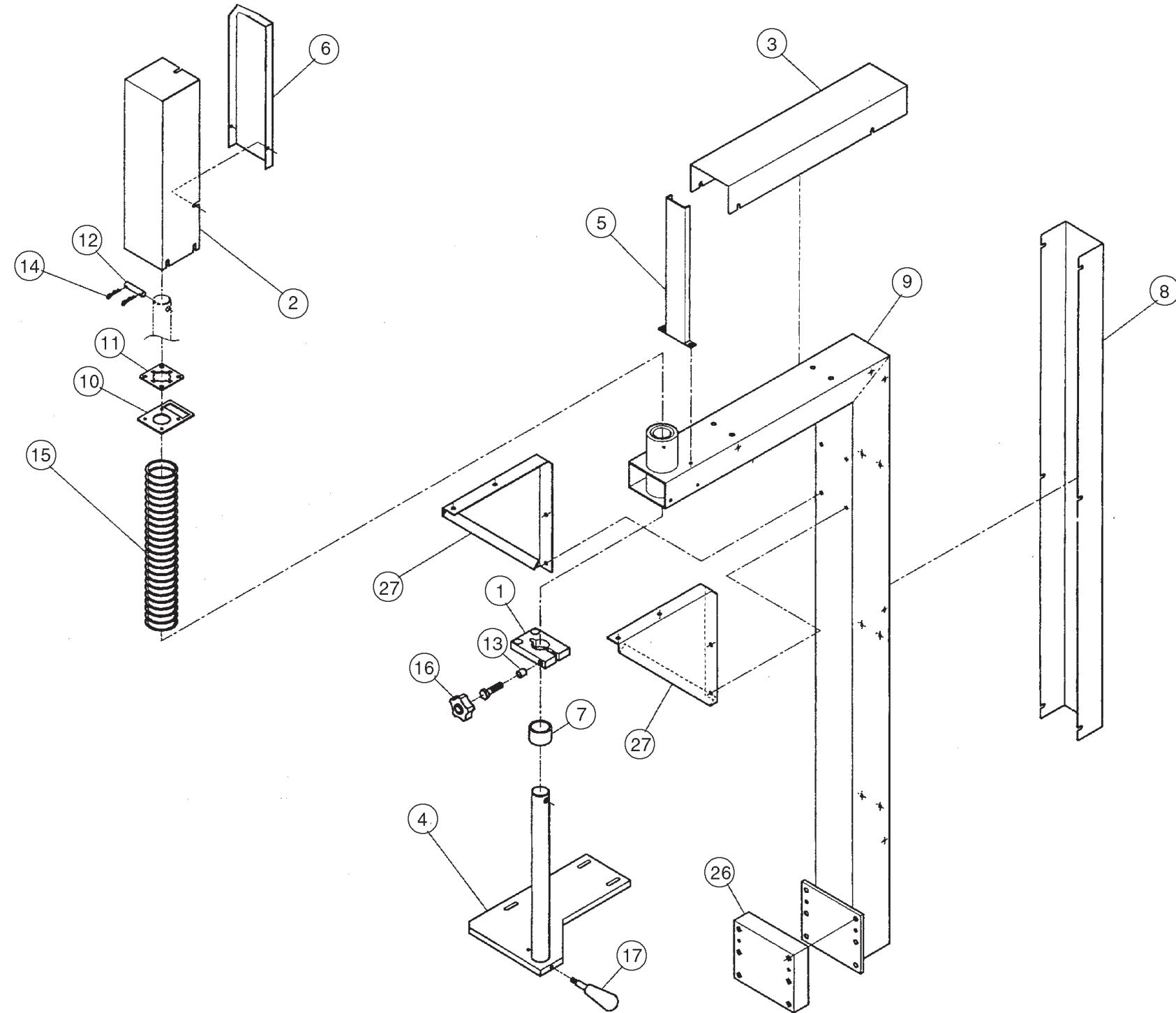
An ISO 9001 Registered Company ©2026 Rice Lake Weighing Systems 1/26 Prices and specifications subject to change without notice. Visit ricelake.com for current prices.

RICE LAKE
WEIGHING SYSTEMS

Discontinued Products

Ishida WPL-3000

Printer Stand



Exit/Infeed "I" Roller

Part Number/Price

REF #	PART #	DESCRIPTION	SYNONYM	PRICE
1	Consult	L plate B, discharge	56-2668-04	\$39.60
2	Consult	Plate B, discharge	57-7351-00	\$39.60
3	Consult	L-plate B, discharge	57-7353-07	\$39.60
4	Consult	L plate B, discharge	57-7354-01	\$39.60
5	70803	Shaft, discharge	56-8074-04	\$22.00
6	47252	Roller	55-5265-01	\$63.00
7	46985	E-ring, 5 mm SST	00-0289-00	\$2.00
8	41732	Screw, SST, M4x6	00-0237-06	\$2.00
9	42852	Hex bolt, bolt and washer assembly M4x10	10-4110-01	\$2.00
10	Consult	Hex bolt, M3x10	01-7165-04	\$3.85

Discontinued Products

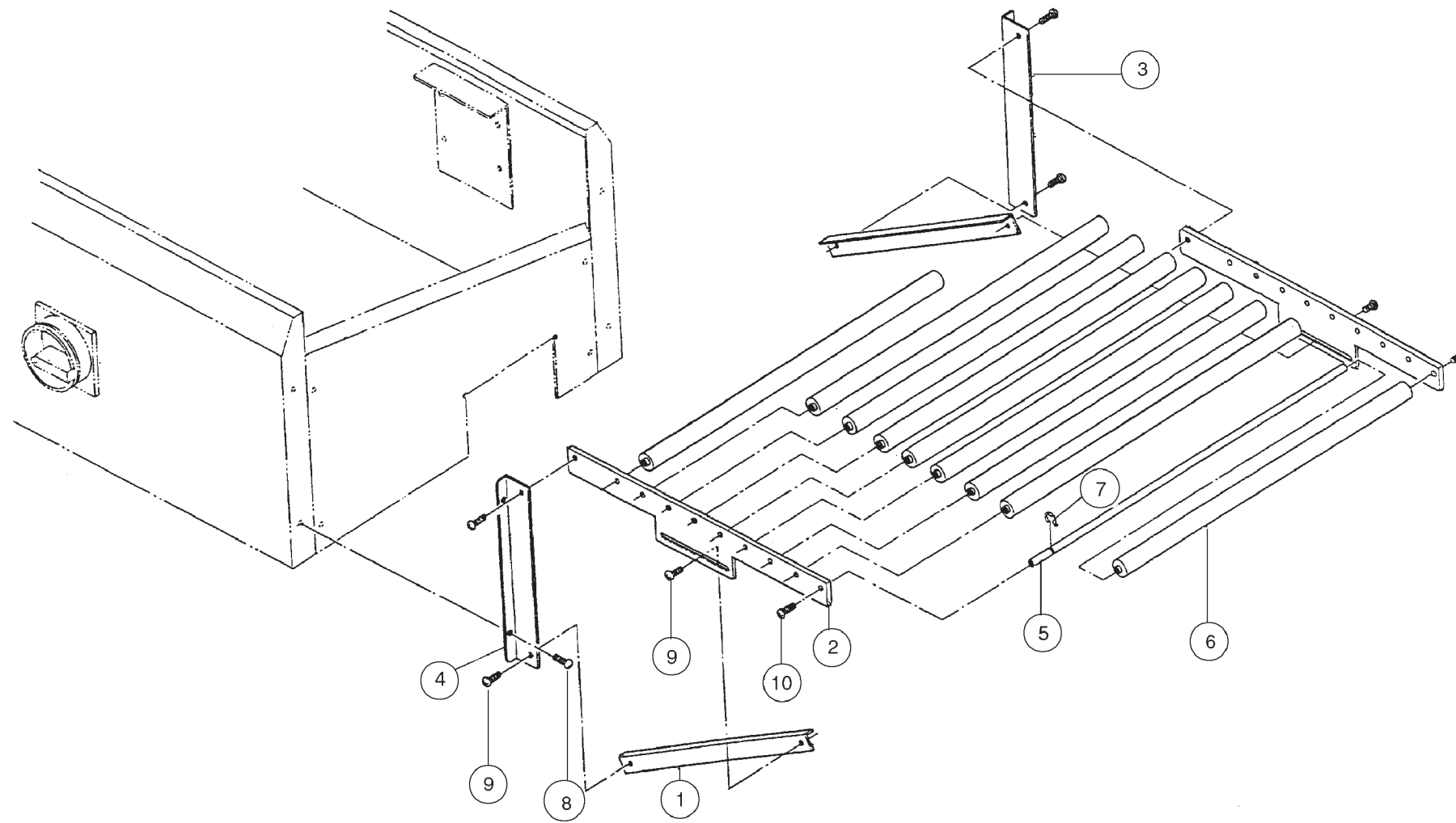
Price and availability confirmation recommended

An ISO 9001 Registered Company ©2026 Rice Lake Weighing Systems 1/26 Prices and specifications subject to change without notice. Visit ricelake.com for current prices.



Ishida WPL-3000

Exit/Infeed "I" Roller



ISHIDA WPL-3000

Exit/Infeed "I" Roller

Part Number/Price

REF #	PART #	DESCRIPTION	SYNONYM	PRICE
1	Consult	L-shaft	56-0614-06	Consult
2	47252	Roller	55-5265-01	\$63.00
3	Consult	Plate B, Type L	57-7350-06	Consult
4	Consult	Frame roller, upper	57-4558-02	Consult
5	Consult	Frame roller, upper	57-4559-06	Consult
6	Consult	L-plate B, roller	56-0851-11	Consult
7	Consult	L-plate B, roller	56-0852-15	Consult
8	Consult	Hex bolt, M5 x 20	00-0009-03	Consult
9	42774	Hex nut, T1	00-0107-05	\$2.00
10	42852	Hex bolt, bolt and washer assembly, S2P2	10-4110-01	\$2.00
11	47007	TP screw, M4 x 8, chromate	00-0440-06	\$2.00
12	Consult	Hex bolt, M3 x 10	01-7165-04	Consult

Price and availability confirmation recommended

An ISO 9001 Registered Company ©2026 Rice Lake Weighing Systems 1/26 Prices and specifications subject to change without notice. Visit ricelake.com for current prices.

RICE LAKE
WEIGHING SYSTEMS

Discontinued Products

Infeed/Indexor Conveyor

Part Number/Price

REF #	PART #	DESCRIPTION	SYNONYM	PRICE
1	Consult	Block A, feed, pole	58-1081-00	\$74.55
2	Consult	Bracket, sensor	61-2049-01	\$39.60
3	Consult	Bracket, sensor	60-1868-04	\$26.40
6	Consult	Timing belt, 3GT	55-0507-03	\$30.80
7	Consult	Frame, top plate, weigh	51-0143-11	\$71.40
8	Consult	Bracket, roller	52-9842-02	\$139.65
9	Consult	Bracket, roller	52-9600-08	\$136.50
10	Consult	Pin	52-9509-01	\$37.40
11	Consult	Shaft, roller, drive	52-6993-01	\$74.55
12	Consult	Shaft, roller, follower	52-6997-05	\$59.85
13	Consult	Frame, top, plate, feed	52-0122-01	\$131.25
14	Consult	Pin	50-2073-05	\$8.25
15	Consult	Collar	52-0114-01	\$19.80
16	Consult	L plate B, conveyor	56-6454-09	\$154.35
17	Consult	Stopper, conveyor	57-5135-04	\$6.35
18	Consult	Timing pulley, 3GT	53-1354-00	\$139.65
19	Consult	Roller, follower	52-6995-17	\$151.20
20	Consult	Roller, drive	52-6992-16	\$160.65
21	Consult	Wave washer	45-9586-01	\$1.00
22	Consult	Flat belt, endless, slant form	55-0854-06	\$266.70
23	Consult	Bearing, radial, deep groove	00-3635-06	\$12.10
24	Consult	E-ring	00-0291-08	\$1.00
25	Consult	C ring, for shaft	08-3343-07	\$1.40
26	Consult	Gear head	35-3534-07	\$219.45
27	Consult	Timing pulley, 3GT	55-5225-11	\$145.95
28	Consult	Cover, feed, R	57-4611-34	\$157.50
29	Consult	Cover feed, L	57-4591-33	\$181.65
31	Consult	Frame, conveyor, take up	54-4412-38	\$204.75
32	Consult	Frame, conveyor, take up	54-4413-22	\$207.90
35	Consult	Frame, feed, R	57-4610-21	\$100.80
36	Consult	Frame, feed, L	57-4609-27	\$103.95
37	Consult	Cover, feed, front	56-0720-35	\$47.30
38	Consult	Base, take up	56-0830-31	\$139.65
39	Consult	Cover, feed, motor	58-4674-09	\$172.20
40	Consult	Guide, feed	54-7106-20	\$121.80
41	Consult	Feed platter, conveyor	54-4431-39	\$128.10
43	Consult	Washer, inner teeth	49-6010-01	\$0.50
44	Consult	Accessory, bush, open lock	03-3135-02	\$1.65
45	Consult	L plate B, joint, L	57-4604-01	\$86.10
46	Consult	L plate B, joint R	57-4607-01	\$86.10
49	Consult	Bracket, feed, guard	57-4608-14	\$70.35
50	Consult	Seal, round	29-4076-01	\$70.35
51	Consult	Bracket, feed, fan	58-4662-04	\$42.90
70	47269	Harness, C8	57-4833-07	\$23.10
71	Consult	Terminal block	57-4926-00	\$28.60
72	47256	Sensor assembly, timing	56-0655-09	\$144.40
73	Consult	Motor assembly, feed	56-0730-14	\$1,007.80
74	Consult	Harness, S1, ground 1	57-7093-09	\$6.35
75	Consult	Fan assembly	58-1366-01	\$86.10
76	Consult	Harness, C2, fax	58-1382-01	\$35.20
—	Consult	Harness, S2, ground	57-7091-01	\$3.60

Price and availability confirmation recommended

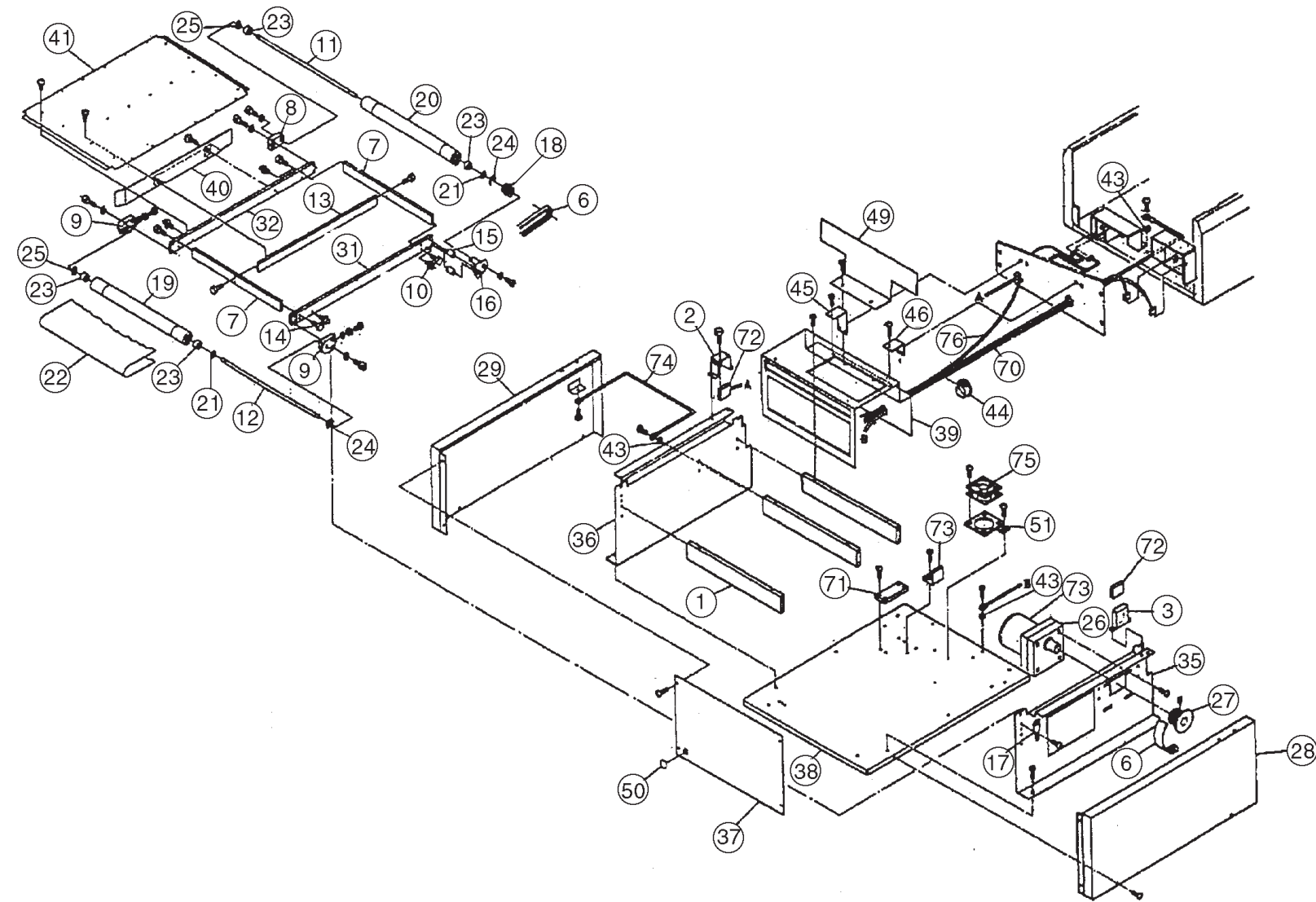
An ISO 9001 Registered Company ©2026 Rice Lake Weighing Systems 1/26 Prices and specifications subject to change without notice. Visit ricelake.com for current prices.

RICE LAKE
WEIGHING SYSTEMS

Discontinued Products

Ishida WPL-3000

Infeed/Indexor Conveyor



Power Exit Roller

Part Number/Price

REF #	PART #	DESCRIPTION	SYNONYM	PRICE
1	Consult	Frame conveyor	61-2054-01	\$145.95
2	Consult	Cover, conveyor	60-1740-11	\$271.95
3	Consult	Bracket, motor	60-8882-11	\$151.20
4	Consult	Round pulley, 3	60-8761-05	\$193.20
5	Consult	L plate B, guide	60-1742-09	\$66.15
6	Consult	Roller, fin C	60-1739-16	\$213.15
7	Consult	Shaft, roller conveyor	11-7082-08	\$35.20
8	Consult	Roller, fin C	11-7083-01	\$42.90
9	Consult	Bearing, radial	00-3725-08	\$27.50
10	53240	Round belt, seamless	11-7796-03	\$9.90
11	53239	Round belt, seamless	49-4763-05	\$8.80
12	Consult	Gear head	11-4546-08	\$183.75
13	Consult	C ring, for shaft, M8 zinc	00-4192-07	\$0.50
14	Consult	Snap pin	00-9897-07	\$0.50
15	Consult	Accessory, bush, open lock	03-3135-02	\$2.20
16	Consult	Cover, belt	61-2053-07	\$63.00
17	Consult	Motor assembly, discharge	61-2182-04	\$244.65
18	Consult	Harness, C2, junction	61-2183-08	\$47.30
19	Consult	Seal, signal, junction	54-2134-08	\$4.15
20	Consult	Seal, signal, junction	54-2098-07	\$4.15

Price and availability confirmation recommended

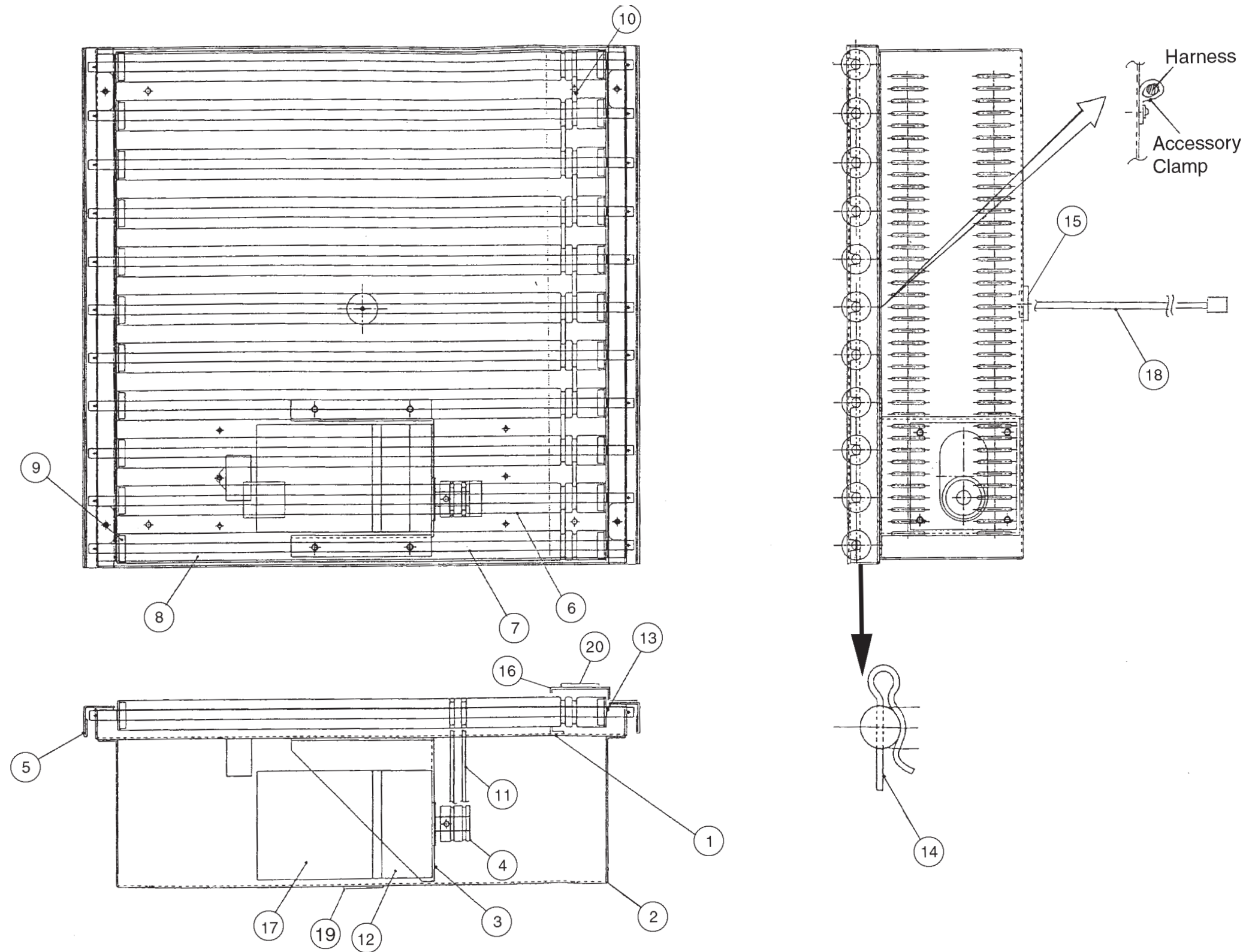
An ISO 9001 Registered Company ©2026 Rice Lake Weighing Systems 1/26 Prices and specifications subject to change without notice. Visit ricelake.com for current prices.

RICE LAKE
WEIGHING SYSTEMS

Discontinued Products

Ishida WPL-3000

Power Exit Roller



MSCU-3000**Part Number/Price**

REF #	PART #	DESCRIPTION	SYNONYM	PRICE
1	48276	Base, box	51-0338-11	\$307.00
2	48263	Cover, box, MSCU-R	43-3711-13	\$163.00
3	48275	L plate B, connector	51-0337-35	\$95.00
4	47395	Rubber pad	09-3630-03	\$2.00
5	48278	Name plate, specification	51-8671-01	\$19.00
6	45181	Name plate, specification	43-1783-05	\$29.75
7	48279	Name plate, explanation	52-0230-01	\$4.00
8	47027	FWB accessory, card spacer	00-1796-05	\$2.00
9	42631	Screw, machine, M3-0.5x6 mm, SST counter sink	02-1911-01	\$2.00
10	48240	Screw, cross pan head, M3x8 pan head SST	02-0052-09	\$1.00
11	41732	Screw, SST, M4x6	00-0237-06	\$2.00
12	45173	Connector, lock	03-1946-09	\$9.50
13	48239	TP screw M3x6	00-0438-08	\$2.00
14	48234	Screw, cross pan head	00-0071-05	\$1.00
15	48237	Plain washer	00-0142-06	\$2.00
16	42854	Spring washer	00-0172-08	\$2.00
17	48236	Hex nut, T1	00-0106-01	\$2.00
30	47241	LED assembly	52-0150-06	\$46.00
31	47242	Switch assembly, seesaw	52-0151-00	\$33.00
32	47243	Assembly inlet assembly	52-0152-03	\$50.00
33	47218	Harness, C2, serial	36-3357-01	\$67.20
34	48286	PWB, P-835, B	41-7124-26	\$815.00
35	48277	Power supply, switching	51-2857-05	\$71.00
36	45242	Harness, C3	38-6512-08	\$33.00
37	47245	Harness, S2, PS cable	52-9653-05	\$32.00

Price and availability confirmation recommended

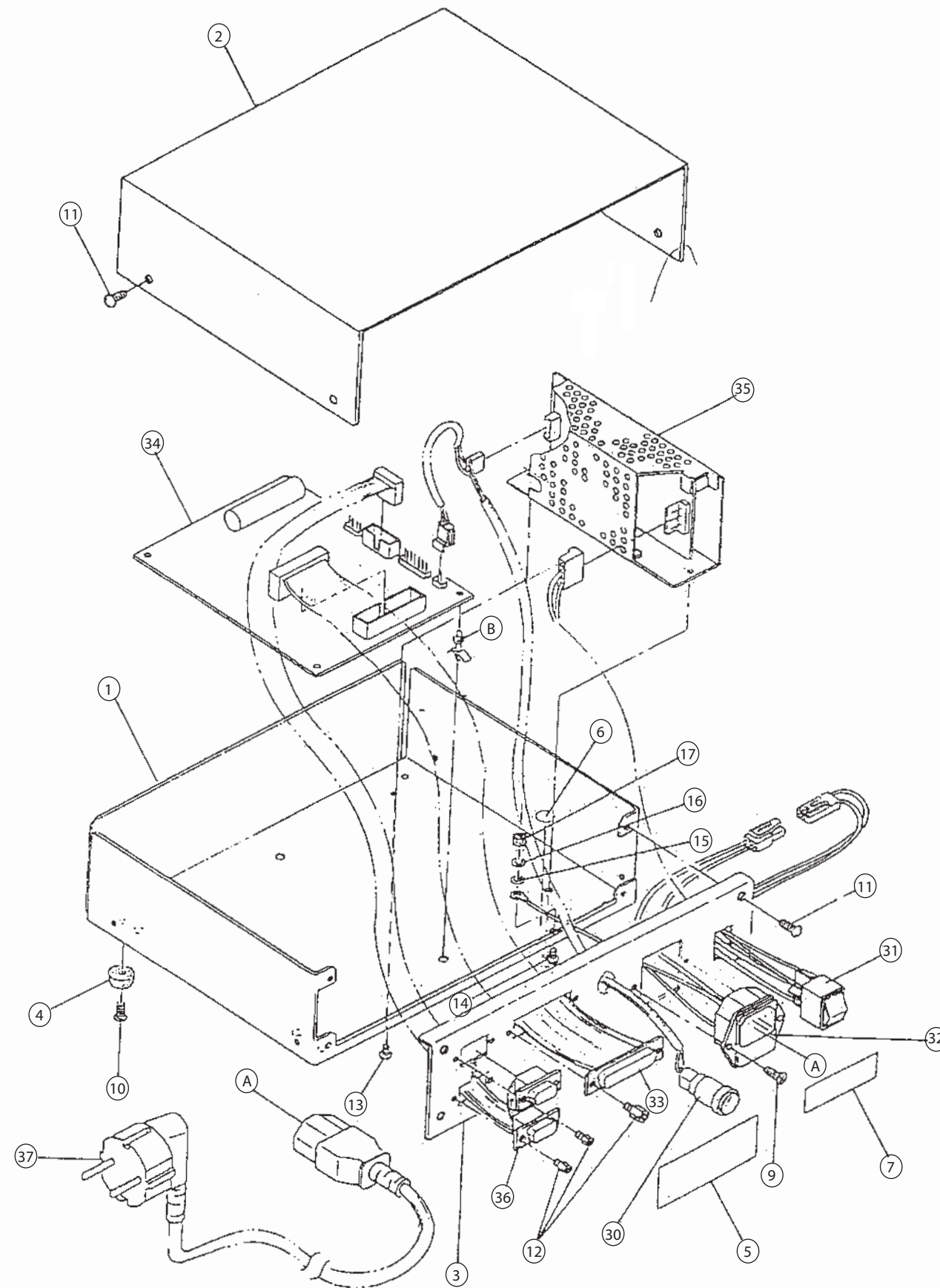
An ISO 9001 Registered Company ©2026 Rice Lake Weighing Systems 1/26 Prices and specifications subject to change without notice. Visit ricelake.com for current prices.

RICE LAKE
WEIGHING SYSTEMS

Discontinued Products

Ishida WPL-3000

MSCU-3000





24/7 EMERGENCY SUPPORT

Your service doesn't stop when the office is closed and neither does ours. **Simply call 800-472-6703 and press 1** to reach on-call personnel outside of our normal business hours for emergency support.

When you need help, rely on Rice Lake.
We look forward to answering your call.



800-472-6703
www.ricelake.com

Over 40,000 weighing products and 3 million parts distributed worldwide.

An ISO 9001 registered company



Extended Business Hours

Monday through Friday from 6:30 a.m. to 6:30 p.m.
Saturday from 8:00 a.m. to 12:00 p.m. Central Time

Emergency Contact Information

Your service doesn't stop when the office is closed and neither does ours. Simply call 800-472-6703 and press 1 to reach on-call personnel outside of our normal business hours.

RICE LAKE[®]
WEIGHING SYSTEMS

CORPORATE OFFICE

230 W. Coleman Street, Rice Lake, WI 54868 USA
USA: 800-472-6703 | Direct: 715-234-9171 | Fax: 715-234-6967

Canada and Mexico: +1-800-321-6703

© 2025 Rice Lake Weighing Systems PN 203628 6/25
Specifications subject to change without notice