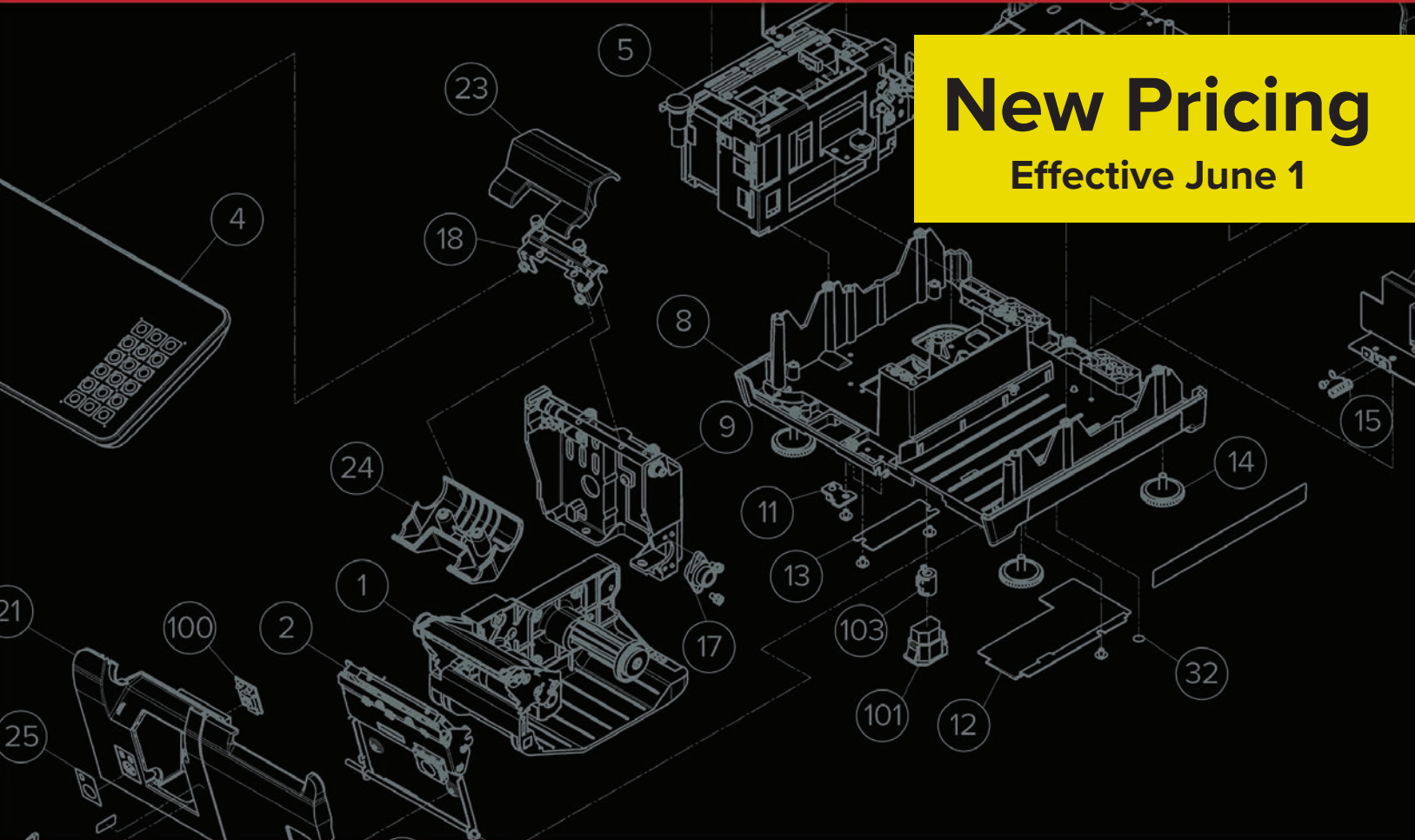


Retail Solutions

# Replacement parts

Rev. B



**New Pricing**  
Effective June 1



**RICE LAKE**  
WEIGHING SYSTEMS

800-472-6703

[www.ricelake.com/retail](http://www.ricelake.com/retail)



# World Class Instructors

## Over 500 Years of Scale Experience

Pictured are some of Rice Lake's many skilled instructors. Our team is composed of senior staff members specializing in technology, sales, project management and more. With years of experience and unmatched industry knowledge, students in every course learn from the very best.

### Flexible Learning Options



#### Rice Lake Location Courses:

*In-house instruction by experts at Rice Lake Weighing Systems' corporate headquarters.*



#### International Courses:

*Our instructor network periodically offers training overseas, available in multiple languages.*



#### Off-Site Courses:

*Our instructors bring technical training to your region.*



#### Online Courses:

*Complete anywhere, at your own pace.*

### Can't make it to a class?

Visit [www.ricelake.com/webinars](http://www.ricelake.com/webinars) to view all of our online training resources, including product videos and webinars.

**RICE LAKE**<sup>®</sup>  
WEIGHING SYSTEMS

800-472-6703  
[www.ricelake.com](http://www.ricelake.com)

# Table of Contents

## Non-Printing Scales

**Table of Contents** ..... 3  
**RS-130/RS-160** ..... 4  
*Bench*  
**RS-130/RS-160** ..... 6  
*Pole*

## Printing Scales

**Table of Contents** ..... 9  
**Uni-3L1** ..... 10  
*Bench*  
**Uni-3L1** ..... 14  
*Pole*  
**Uni-3L1** ..... 16  
*Pole*  
**Uni-3L2** ..... 18  
*Bench*  
**Uni-3L2** ..... 22  
*Pole*  
**Uni-5** ..... 26  
*Bench*  
**Uni-5** ..... 30  
*Bench, Printer*  
**Uni-5** ..... 32  
*Pole*  
**Uni-5** ..... 36  
*Pole, Printer*  
**Uni-7** ..... 38  
*Bench*  
**Uni-7** ..... 42  
*Bench, Printer*  
**Uni-7** ..... 44  
*Bench and Pole, Label Cassette*  
**Uni-7** ..... 46  
*Pole, Scale*  
**Uni-7** ..... 50  
*Pole, Printer*  
**Uni-8** ..... 52  
*Bench, Printer*  
**Uni-8** ..... 56  
*Pole, Printer*  
**Uni-8** ..... 60  
**Uni-9** ..... 62  
*Main Body - Bench*  
**Uni-9** ..... 64  
*Main Body - Pole*  
**Uni-9** ..... 66  
*Main Body - Short Pole*  
**Uni-9** ..... 68  
*Main Body - DB*

**Uni-9** ..... 70  
*Printer Unit - Bench, Pole, Short Pole, DB*  
**Uni-9** ..... 72  
*Printer Frame - Bench, Pole, Short Pole, DB*  
**Uni-9** ..... 74  
*Operation Unit - Bench, Pole, Short Pole*  
**Uni-9** ..... 76  
*Operation Unit - DB*  
**Uni-9** ..... 78  
*Scale Unit - Bench, Pole, Short Pole, DB*  
**Uni-9** ..... 80  
*Cassette Unit - Bench, Pole, Short Pole, DB*  
**Uni-9** ..... 82  
*Linerless Cassette Unit - Bench, Pole, Short Pole, DB*  
**Uni-9** ..... 84  
*Electric Unit and Wiring Diagram - Bench*  
**Uni-9** ..... 88  
*Electric Unit and Wiring Diagram - Pole, Short Pole*  
**Uni-9** ..... 92  
*Electric Unit and Wiring Diagram - DB*  
**Uni-9** ..... 94  
*Customer Display Unit - Bench, DB*  
**Uni-9** ..... 96  
*Customer Display Unit - Pole, Short Pole*  
**Uni-9** ..... 98  
*Pole Unit*  
**Uni-9** ..... 100  
*Short Pole Unit*  
**Uni-10** ..... 102  
*Main Body, Bench*  
**Uni-10** ..... 106  
*Harness Unit 12.1 Inch, Bench*  
**Uni-10** ..... 106  
*Harness Unit 12.1 Inch, Pole*  
**Uni-10** ..... 108  
*Controller 12.1 Inch*  
**Uni-10** ..... 110  
*Printer Unit, Bench/Pole*  
**Uni-10** ..... 112  
*Cassette*  
**Uni-10** ..... 114  
*Customer Display Pole*  
**Printers**  
**Table of Contents** ..... 117  
**WIL-Acro II** ..... 118  
*Main Body Unit and Wiring Diagram*  
**WIL-Acro II** ..... 122  
*Printer Unit*  
**WIL-Acro II** ..... 124  
*Cassette Unit*

**WIL-Acro II** ..... 126  
*Controller Unit*  
**IP-Ai-P** ..... 128  
*Main Body Frame Unit and Wiring Diagram*  
**IP-Ai-P** ..... 132  
*Base Unit*  
**IP-Ai-P** ..... 134  
*Printer Unit*  
**IP-Ai-P** ..... 136  
*Head Unit*  
**IP-Ai-P** ..... 138  
*Keyboard Unit*  
**IP-Ai-P** ..... 140  
*Cassette Unit*  
**IP-Ai-P** ..... 142  
*Display Unit*

## Hanging Scales

**Table of Contents** ..... 145  
**Uni-3L2H** ..... 146  
*Hanging*  
**Uni-7H** ..... 150  
*Scale*  
**Uni-7H** ..... 154  
*Scale, Printer*  
**Uni-7H** ..... 156  
*Scale, Label Cassette*  
**Uni-8H** ..... 158  
*Hanging*  
**Uni-8H** ..... 162  
*Wiring Diagram*  
**Uni-9H** ..... 164  
*Scale*  
**Uni-9H** ..... 168  
*Printer*  
**Uni-9H** ..... 170  
*Cassette*  
**Uni-10H** ..... 172  
*Main Body*  
**Uni-10H** ..... 176  
*Printer*  
**Uni-10H** ..... 178  
*Cassette*  
**Uni-10H** ..... 180  
*Harness Unit*

# Table of Contents

## Discontinued Scales

<b>Table of Contents</b> .....	<b>183</b>	<b>IL-EMZ</b> .....	<b>241</b>
<b>RS-130 (Non-backlight)</b> .....	<b>184</b>	<i>Display Unit</i>	
<i>Main Unit</i>		<b>IL-EMZ</b> .....	<b>243</b>
<b>Astra</b> .....	<b>186</b>	<i>Cassette Unit</i>	
<b>Astra with Pole</b> .....	<b>190</b>	<b>IL-EMZ</b> .....	<b>245</b>
<b>BC-4000E</b> .....	<b>194</b>	<i>Cassette Unit</i>	
<i>Pole Assembly</i>		<b>IL-EMZ</b> .....	<b>247</b>
<b>BC-4000L2</b> .....	<b>198</b>	<i>Main Unit Electrical</i>	
<i>Pole Assembly</i>			
<b>BC-4000L2</b> .....	<b>202</b>		
<i>Bench</i>			
<b>BC-4000S</b> .....	<b>206</b>		
<i>Pole Assembly</i>			
<b>SR-2000a</b> .....	<b>210</b>		
<i>Main Unit</i>			
<b>SR-2000a</b> .....	<b>215</b>		
<i>Printer Unit</i>			
<b>SR-2000a</b> .....	<b>217</b>		
<i>Cassette Unit</i>			
<b>SR-2000a</b> .....	<b>219</b>		
<i>Controller Unit</i>			
<b>SR-2000a</b> .....	<b>220</b>		
<i>Pole Display</i>			
<b>BC-4000L2H</b> .....	<b>221</b>		
<i>Assembly</i>			
<b>BC-4000L2H</b> .....	<b>223</b>		
<i>Assembly</i>			
<b>IL-2000SA</b> .....	<b>225</b>		
<i>Main Unit</i>			
<b>IL-2000SA</b> .....	<b>229</b>		
<i>Display Unit</i>			
<b>IL-2000SA</b> .....	<b>231</b>		
<i>Printer Unit</i>			
<b>IL-2000SA</b> .....	<b>233</b>		
<i>Cassette Unit</i>			
<b>IL-2000SA</b> .....	<b>235</b>		
<i>Head Unit/Top Unit</i>			
<b>IL-2000SA</b> .....	<b>236</b>		
<i>Wiring Diagram</i>			
<b>IL-EMZ</b> .....	<b>237</b>		
<i>Main Unit</i>			

# Non-Printing Scales

Table of Contents .....	3
RS-130/RS-160 .....	4
<i>Bench</i>	
RS-130/RS-160 .....	6
<i>Pole</i>	

# RS-130/RS-160

Bench



RS-130



RS-160

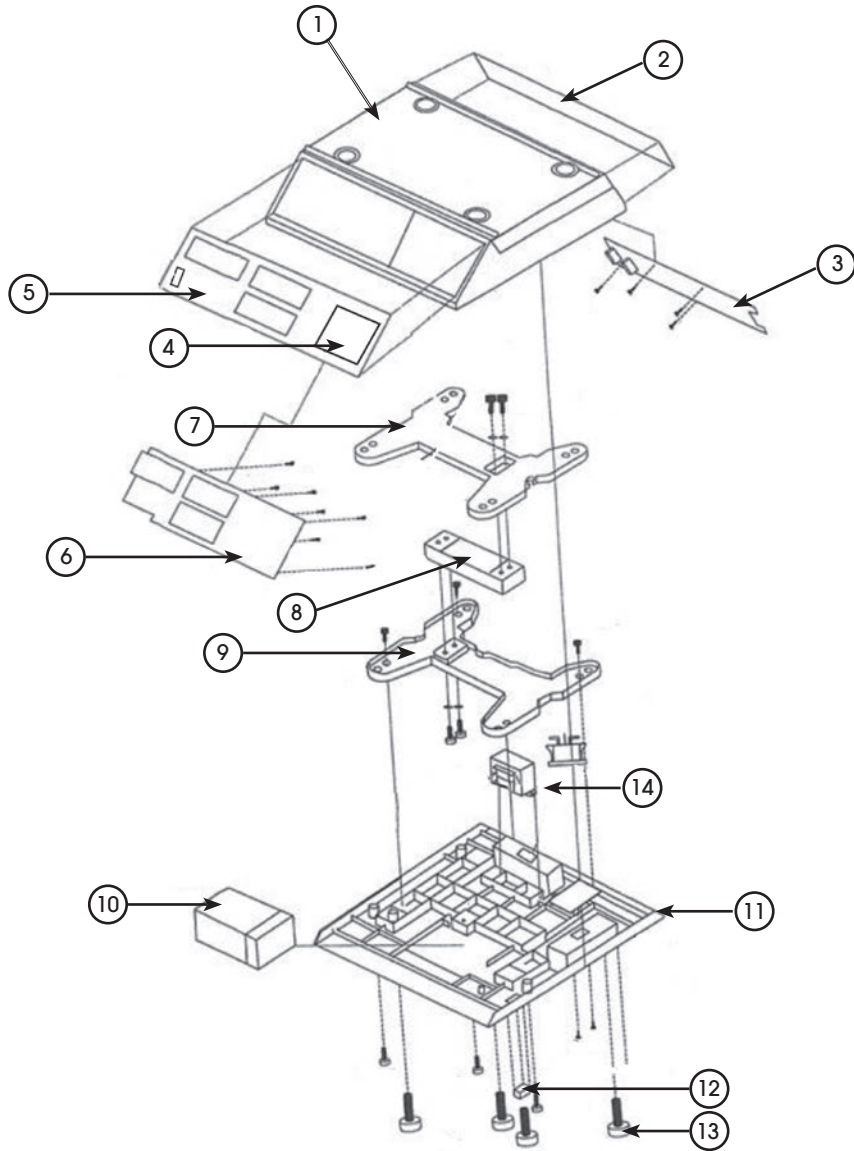
## Part Number/Price

Ref #	Part #	Description	Price
1	85715	Upper plastic cover	\$54.00
2	170020	Rear display overlay, RS-130	\$15.00
	170021	Rear display overlay, RS-160	\$15.00
3	171653	Rear display, PCB, 30 lb, RS-130	\$54.00
	171698	Rear display, PCB, 60 lb, RS-160	\$54.00
4	170013	Membrane keypad and overlay	\$19.00
5	170018	Operator display overlay, RS-130	\$15.00
	170019	Operator display overlay, RS-160	\$15.00
6	165162	Main CPU board with LCD, RS-130 (Includes M1–M9, unit price, tare, and unit of measure keys)	\$228.00
	171697	Main CPU board with LCD, RS-160 (Includes M1–M9, unit price, tare, and unit of measure keys)	\$204.00
7	171656	Spider, upper aluminum structure	\$25.00
8	50624	Load cell, 30 lb, RS-130	\$148.00
	132268	Load cell, 60 lb, RS-160	\$148.00
9	171657	Spider, lower aluminum structure	\$25.00
10	85710	Rechargeable battery	\$25.00
11	85714	Base plastic plate	\$54.00
12	85718	Power switch	\$7.00
13	85716	Rubber foot	\$7.00
14	178072	Transformer	\$13.00
	175421	AC base seat	\$5.00
	15438	Power cord	\$25.00
	85711	Dust cover	\$7.00
	88574	Plastic platter	\$13.00
	88575	Stainless steel cover for the platter	\$31.00
	178058	Backlight kit	\$10.00
	178057	CPU, Eprom RS-160	\$28.00
	170262	CPU, chip for main board	\$24.00
	115263	Plastic sealing pin	\$4.00
	115927	Level bubble	\$5.00
	178059	17-pin LCD display, RS-130, RS-160	\$13.00

# RS-130/RS-160

Bench

Non-Printing Scales



# RS-130/RS-160

Pole

Non-Printing Scales



RS-130

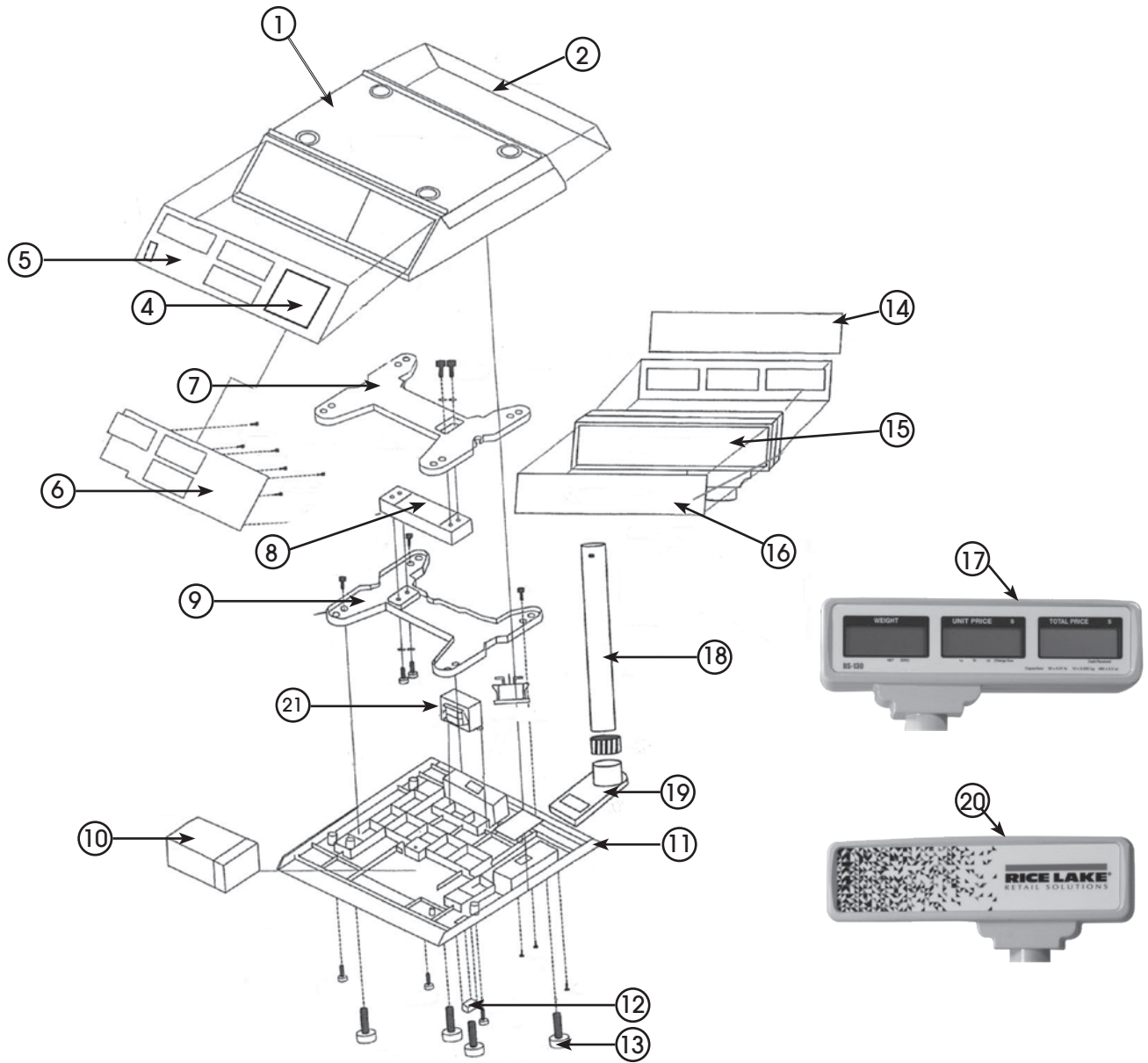
## Part Number/Price

Ref #	Part #	Description	Price
1	85715	Upper plastic cover	\$54.00
2	170025	Rear overlay, RS-130/RS-160	\$15.00
4	170013	Membrane keypad and overlay	\$19.00
5	170018	Operator display overlay, RS-130	\$15.00
	170019	Operator display overlay, RS-160	\$15.00
6	193898	Main CPU board with LCD, RS-130 Pole (Includes M1–M9, unit price, tare, and unit of measure keys)	\$198.00
	193899	Main CPU board with LCD, RS-160 Pole (Includes M1–M9, unit price, tare, and unit of measure keys)	\$198.00
7	171656	Spider, upper aluminum structure	\$25.00
8	50624	Load cell, 30 lb, RS-130	\$148.00
	132268	Load cell, 60 lb, RS-160	\$148.00
9	171657	Spider, lower aluminum structure	\$25.00
10	85710	Rechargeable battery	\$25.00
11	85714	Base plastic plate	\$54.00
12	85718	Power switch	\$7.00
13	85716	Rubber foot	\$7.00
14	170023	Front pole display overlay, RS-130	\$15.00
	170024	Front pole display overlay, RS-160	\$15.00
15	170012	Rear pole display, PCB 30 lb, RS-130	\$54.00
	171699	Rear pole display, PCB 60 lb, RS-160	\$54.00
16	170022	Rear display cover, operator side	\$15.00
17	171654	Pole plastic cover, customer side	\$29.00
18	171659	Stainless steel tube	\$25.00
19	171658	Indicator plastic tube support	\$25.00
20	171655	Pole plastic cover, operator side	\$29.00
21	178072	Transformer	\$13.00
	175421	AC base seat	\$5.00
	15438	Power cord	\$25.00
	85711	Dust cover	\$7.00
	88574	Plastic platter	\$13.00
	88575	Stainless steel cover for the platter	\$31.00
	178058	Backlight kit	\$10.00
	178057	CPU, Eprom RS-160	\$28.00
	170262	CPU, chip for main board	\$24.00
	115263	Plastic sealing pin	\$4.00
	115927	Level bubble	\$5.00

# RS-130/RS-160

Pole

Non-Printing Scales





# Printing Scales

<b>Table of Contents</b> .....	<b>9</b>	<b>Uni-9</b> .....	<b>70</b>
<b>Uni-3L1</b> .....	<b>10</b>	<i>Printer Unit - Bench, Pole, Short Pole, DB</i>	
<i>Bench</i>		<b>Uni-9</b> .....	<b>72</b>
<b>Uni-3L1</b> .....	<b>14</b>	<i>Printer Frame - Bench, Pole, Short Pole, DB</i>	
<i>Pole</i>		<b>Uni-9</b> .....	<b>74</b>
<b>Uni-3L1</b> .....	<b>16</b>	<i>Operation Unit - Bench, Pole, Short Pole</i>	
<i>Pole</i>		<b>Uni-9</b> .....	<b>76</b>
<b>Uni-3L2</b> .....	<b>18</b>	<i>Operation Unit - DB</i>	
<i>Bench</i>		<b>Uni-9</b> .....	<b>78</b>
<b>Uni-3L2</b> .....	<b>22</b>	<i>Scale Unit - Bench, Pole, Short Pole, DB</i>	
<i>Pole</i>		<b>Uni-9</b> .....	<b>80</b>
<b>Uni-5</b> .....	<b>26</b>	<i>Cassette Unit - Bench, Pole, Short Pole, DB</i>	
<i>Bench</i>		<b>Uni-9</b> .....	<b>82</b>
<b>Uni-5</b> .....	<b>30</b>	<i>Linerless Cassette Unit - Bench, Pole, Short Pole, DB</i>	
<i>Bench, Printer</i>		<b>Uni-9</b> .....	<b>84</b>
<b>Uni-5</b> .....	<b>32</b>	<i>Electric Unit and Wiring Diagram - Bench</i>	
<i>Pole</i>		<b>Uni-9</b> .....	<b>88</b>
<b>Uni-5</b> .....	<b>36</b>	<i>Electric Unit and Wiring Diagram - Pole, Short Pole</i>	
<i>Pole, Printer</i>		<b>Uni-9</b> .....	<b>92</b>
<b>Uni-7</b> .....	<b>38</b>	<i>Electric Unit and Wiring Diagram - DB</i>	
<i>Bench</i>		<b>Uni-9</b> .....	<b>94</b>
<b>Uni-7</b> .....	<b>42</b>	<i>Customer Display Unit - Bench, DB</i>	
<i>Bench, Printer</i>		<b>Uni-9</b> .....	<b>96</b>
<b>Uni-7</b> .....	<b>44</b>	<i>Customer Display Unit - Pole, Short Pole</i>	
<i>Bench and Pole, Label Cassette</i>		<b>Uni-9</b> .....	<b>98</b>
<b>Uni-7</b> .....	<b>46</b>	<i>Pole Unit</i>	
<i>Pole, Scale</i>		<b>Uni-9</b> .....	<b>100</b>
<b>Uni-7</b> .....	<b>50</b>	<i>Short Pole Unit</i>	
<i>Pole, Printer</i>		<b>Uni-10</b> .....	<b>102</b>
<b>Uni-8</b> .....	<b>52</b>	<i>Main Body, Bench</i>	
<i>Bench, Printer</i>		<b>Uni-10</b> .....	<b>106</b>
<b>Uni-8</b> .....	<b>56</b>	<i>Harness Unit 12.1 Inch, Bench</i>	
<i>Pole, Printer</i>		<b>Uni-10</b> .....	<b>106</b>
<b>Uni-8</b> .....	<b>60</b>	<i>Harness Unit 12.1 Inch, Pole</i>	
<b>Uni-9</b> .....	<b>62</b>	<b>Uni-10</b> .....	<b>108</b>
<i>Main Body - Bench</i>		<i>Controller 12.1 Inch</i>	
<b>Uni-9</b> .....	<b>64</b>	<b>Uni-10</b> .....	<b>110</b>
<i>Main Body - Pole</i>		<i>Printer Unit, Bench/Pole</i>	
<b>Uni-9</b> .....	<b>66</b>	<b>Uni-10</b> .....	<b>112</b>
<i>Main Body - Short Pole</i>		<i>Cassette</i>	
<b>Uni-9</b> .....	<b>68</b>	<b>Uni-10</b> .....	<b>114</b>
<i>Main Body - DB</i>		<i>Customer Display Pole</i>	

# Uni-3L1

Bench

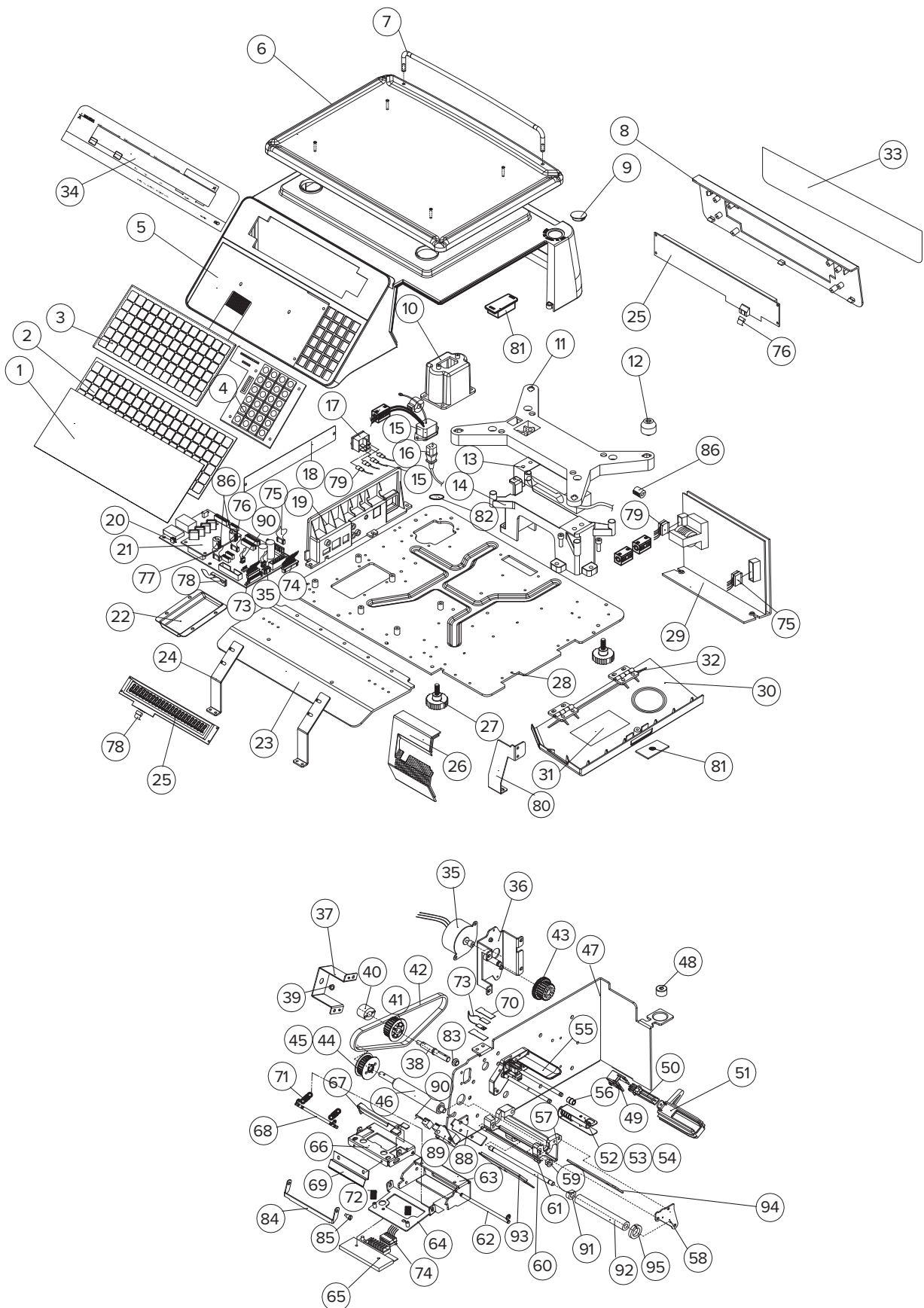


## Part Number/Price

Ref #	Part #	Description	Synonym	Price
1	169722	Sheet, keyboard, transparent	000-901-2366-10	\$7.00
2	169723	Edit-keysheet	000-901-3806-06	\$20.00
3	169724	Membrane keypad	000-901-2364-03	\$34.00
—	170916	Keysheet, operation insert	300-000-0372-00	\$28.00
4	169725	PWB, PS-068, tactile keys	000-901-2456-02	\$37.00
5	181179	Case	000-901-3796-02	\$47.00
6	169727	Platter	000-900-9218-10	\$80.00
7	169728	Guard, platter backstop	000-900-9217-07	\$10.00
—	42848	Screw, Phillips, M4-0.7x8, Pan Head, Lock and Flat Washer, SST - QTY 2 required		\$2.00
8	181183	Cover, customer	000-901-3808-03	\$8.00
9	102812	Lens	000-900-1056-14	\$2.00
10	Consult	Support, power outlet	000-901-3795-09	\$4.00
11	Consult	Platter, support	000-900-0014-23	\$20.00
12	44406	Rubber, platter support, 30 lb	000-900-0016-49	\$4.00
	190731	Rubber, platter support, 60 lb	000-900-8088-19	\$2.00
13	80963	Load cell, 30 lb, C2G1-25K-S18	000-900-2490-11	\$159.00
	190314	Load cell, 60 lb, C2G1-50K-S18	000-900-6735-09	\$166.00
14	Consult	Base	000-900-9201-17	\$13.00
15	80969	Harness, C4, power, includes receptacle	000-900-2842-37	\$10.00
16	80991	Power cord	000-900-3335-11	\$21.00
17	66398	Switch	000-900-0305-09	\$13.00
19	203014	Cover, connector	000-901-3797-06	\$8.00
20	169730	PWB, PS-990G-2, CPU board, 2M	000-901-2410-11	\$775.00
21	169729	PWB, PS-067, A/D board	000-901-2446-14	\$239.00
22	169731	Cover, base	000-901-1298-07	\$4.00
23	Consult	Base	000-901-2301-18	\$14.00
24	Consult	Bracket, display	000-901-1291-01	\$2.00
25	169783	Display, LCD	000-901-3971-08	\$209.00
26	169733	Cover, printer, front	000-901-3798-00	\$7.00
27	79432	Foot, level	000-900-0025-15	\$12.00
28	Consult	Base, plate	000-901-2300-05	\$52.00
29	107707	Power supply, LFS100-24	000-089-5503-03	\$252.00
30	169734	Cover, printer, side	000-901-3799-03	\$8.00
—	Consult	Disk, metal, door latch		Consult
—	50159	Screw, tapping M4-0.7x10 flat head phillips	00-7400-02	\$3.00
31	169735	Decal, label loading, printer	000-901-3973-14	\$2.00
32	66383	Hinge	000-900-4296-03	\$3.00
—	41732	Screw, cap M4-0.7x6 button head phillips	000-0237-06	\$2.00
—	187367	Screw, tapping M4x6-8 long phillips stainless steel	000-075-1405-09	\$2.00
33	179440	Sheet, display, customer, 30 lb	000-901-3791-04	\$11.00
	190735	Sheet, display, customer, 60 lb	000-901-4432-01	\$12.00
34	174508	Sheet, display, operator, 30 lb	000-901-3789-06	\$10.00
	190737	Sheet, display, operator, 60 lb	000-901-4430-03	\$12.00
35	179441	Motor, stepping, includes harness and small drive gear	000-901-3866-19	\$42.00
36	Consult	Bracket, motor	000-901-1295-24	\$5.00
37	Consult	Bracket	000-901-1296-37	\$2.00
38	193844	Axis, rewind	000-901-2397-33	\$8.00
39	Consult	Bush	000-901-4481-03	\$1.00
40	Consult	Bush, OLT6-1500C	000-901-4494-01	\$16.00
41	179442	Gear, rewind	000-901-2360-36	\$2.00
42	179443	Timing belt, 3M-HTD-330	000-901-2435-04	\$6.00
43	179444	Gear, dual	000-901-2357-07	\$3.00
44	179445	Gear, drive	000-901-2358-01	\$3.00
—	66375	Set screw, 1.5 mm, M3-0.5 x 6 mm	000-002-1942-07	\$2.00
45	179446	Cover, gear, drive	000-901-2359-04	\$2.00
—	Consult	M3x7 self tapping button head screws (2)		Consult

# Uni-3L1

Bench



Printing Scales

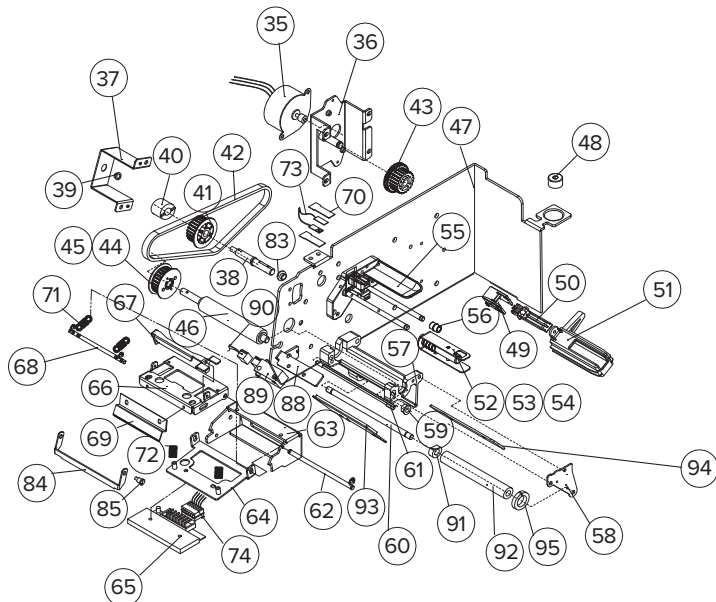
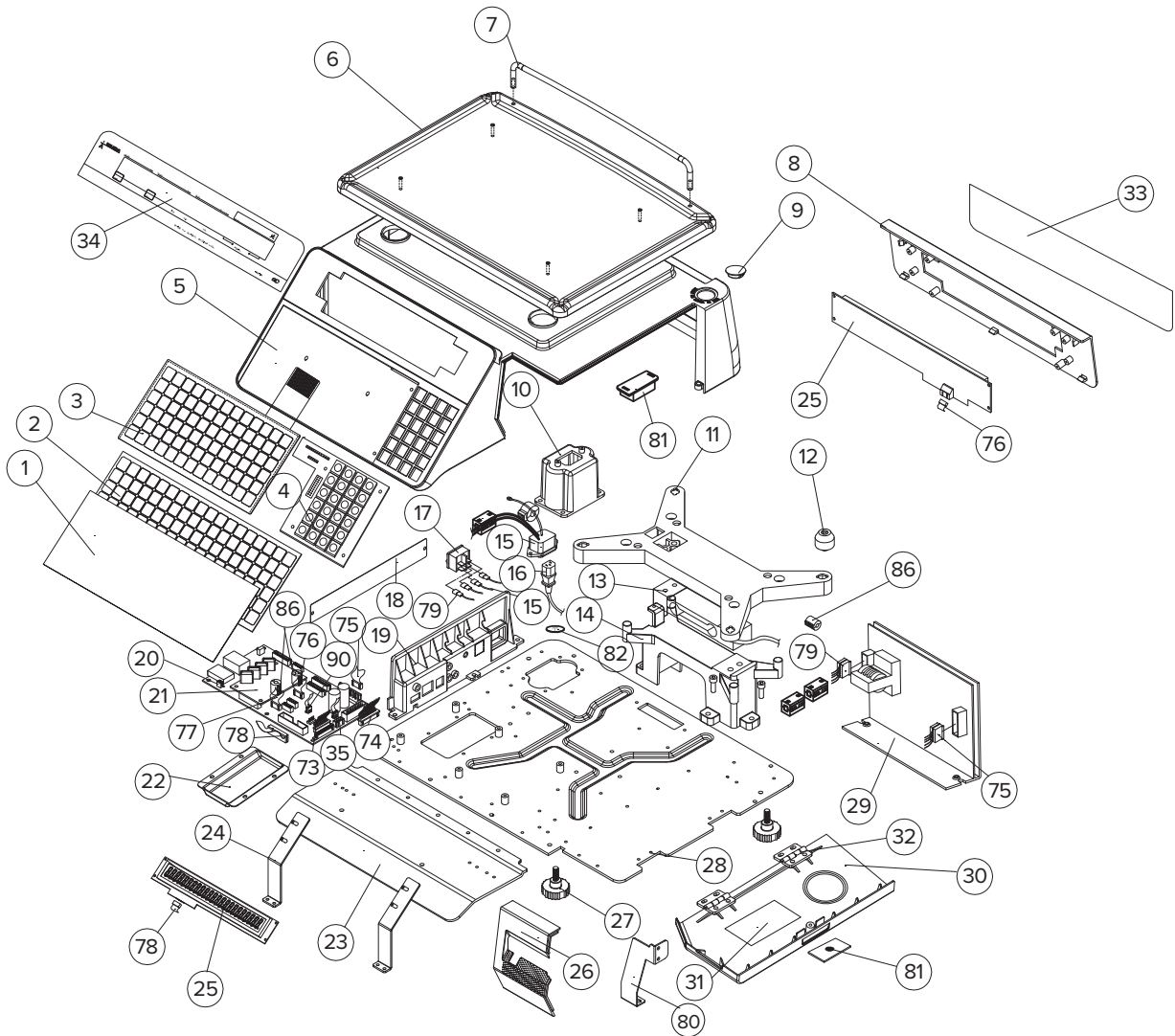
# Uni-3L1

Bench



## Part Number/Price

Ref #	Part #	Description	Synonym	Price
46	169737	Roller, rubber, print roller	000-901-0040-00	\$27.00
47	192243	Frame, printer	000-901-1293-36	\$17.00
48	44425	Level unit	000-900-5727-05	\$50.00
49	66378	Holder, guide, label	000-089-2830-01	\$4.00
50	66376	Lever, guide, label	000-089-2858-04	\$4.00
51	Consult	Holder, label	000-089-6667-04	\$5.00
52	185465	Bracket	000-901-4499-19	\$5.00
53	185467	Spring, bobbin	000-900-6740-08	\$2.00
54	185468	Shaft, bobbin	000-900-8333-20	\$8.00
55	198378	Support, NL	000-900-9359-11	\$6.00
56	191914	Axle bush	000-900-9361-10	\$2.00
57	192244	Support, roll, NL	000-900-9358-36	\$8.00
58	192245	Cover, NL	000-900-9360-25	\$3.00
59	66370	Bush, left	000-900-0894-06	\$2.00
60	193226	Axis	000-900-9363-17	\$3.00
61	193225	Peel shaft	000-901-3774-01	\$12.00
	170541	Linerless peel shaft kit	300-000-0319-00	\$51.00
62	45221	Shaft	000-900-0844-19	\$5.00
—	46986	E-clip, stainless steel, M3 shaft, 5 mm ID, 9.5 mm OD	400-000-0969-00	\$2.00
63	192246	Frame, head	000-900-9205-39	\$10.00
64	191529	Bracket, head	000-900-9206-16	\$6.00
65	119169	Thermal head, CHX56-8359, 1100 ohm	000-901-5061-06	\$252.00
66	192247	Bracket, lock	000-900-9207-37	\$9.00
67	177790	Bracket, push	000-900-9208-03	\$5.00
68	188149	Axis, hold	000-900-9223-00	\$3.00
69	188153	Tear bar	000-900-6722-01	\$4.00
70	195440	Bracket, sensor	000-900-9364-01	\$2.00
71	45203	Spring coil	000-900-0848-04	\$2.00
72	45206	Tension spring	000-900-0849-08	\$3.00
—	200477	Screw, pan head, M3x15 mm	000-002-1833-04	\$2.00
73	104832	Label gap sensor assembly	000-900-5225-02	\$34.00
74	104267	Harness, S2, thermal head	000-900-2840-21	\$19.00
75	47073	Harness, S2, power, out to CPU	000-900-0286-11	\$34.00
76	170778	Harness, C3, display, customer	000-901-2444-08	\$6.00
77	170779	Harness, S2, display, operator	000-901-2399-03	\$4.00
78	170780	Harness, S2, keyboard	000-901-2312-19	\$8.00
79	66396	Harness, C3, power, in from switch	000-900-2841-06	\$9.75
80	Consult	Bracket, printer	000-901-1292-05	\$3.00
81	198435	Bracket, magnet	000-901-5062-00	\$2.00
82	Consult	Label, GND cord	000-900-1338-05	\$1.00
83	193845	Bush, CSB-EPBF-0608-04	000-901-3953-01	\$2.00
84	199263	Bracket, cutter	000-901-3781-07	\$3.00
85	199264	Screw, cutter	000-901-3960-25	\$2.00
86	Consult	Ferrite, core	000-900-0730-09	\$6.00
88	193312	Bracket, peel sensor	000-901-5065-01	\$11.00
89	179447	Peel sensor, reflective	000-078-0604-01	\$40.00
90	195421	Harness, peel sensor, 160 mm	000-901-5063-03	\$4.00
91	205909	Bush	000-901-4488-09	\$6.00
92	Consult	Shaft, POM	000-901-4487-05	\$9.00
93	193224	Bracket, peel off	000-901-4484-13	\$11.00
94	Consult	Bracket, fixed	000-901-4485-17	\$6.00
95	Consult	Label guide	000-901-4486-01	\$4.00
96	Consult	Magnet	000-901-3743-05	\$2.00
97	Consult	Bracket, base cover	000-901-1297-01	\$2.00
<b>Wi-Port and Wireless Options</b>				
999	119159	Antenna, black, for WiPort	000-089-5639-06	\$89.00
999	215289	RF Wireless card, 5 GHZ & 2.4 GHZ, SX-590	000-089-7989-07	\$643.00
999	191245	Cover, Side, RF option, stainless steel	300-000-0585-00	\$31.00



# Uni-3L1

Pole

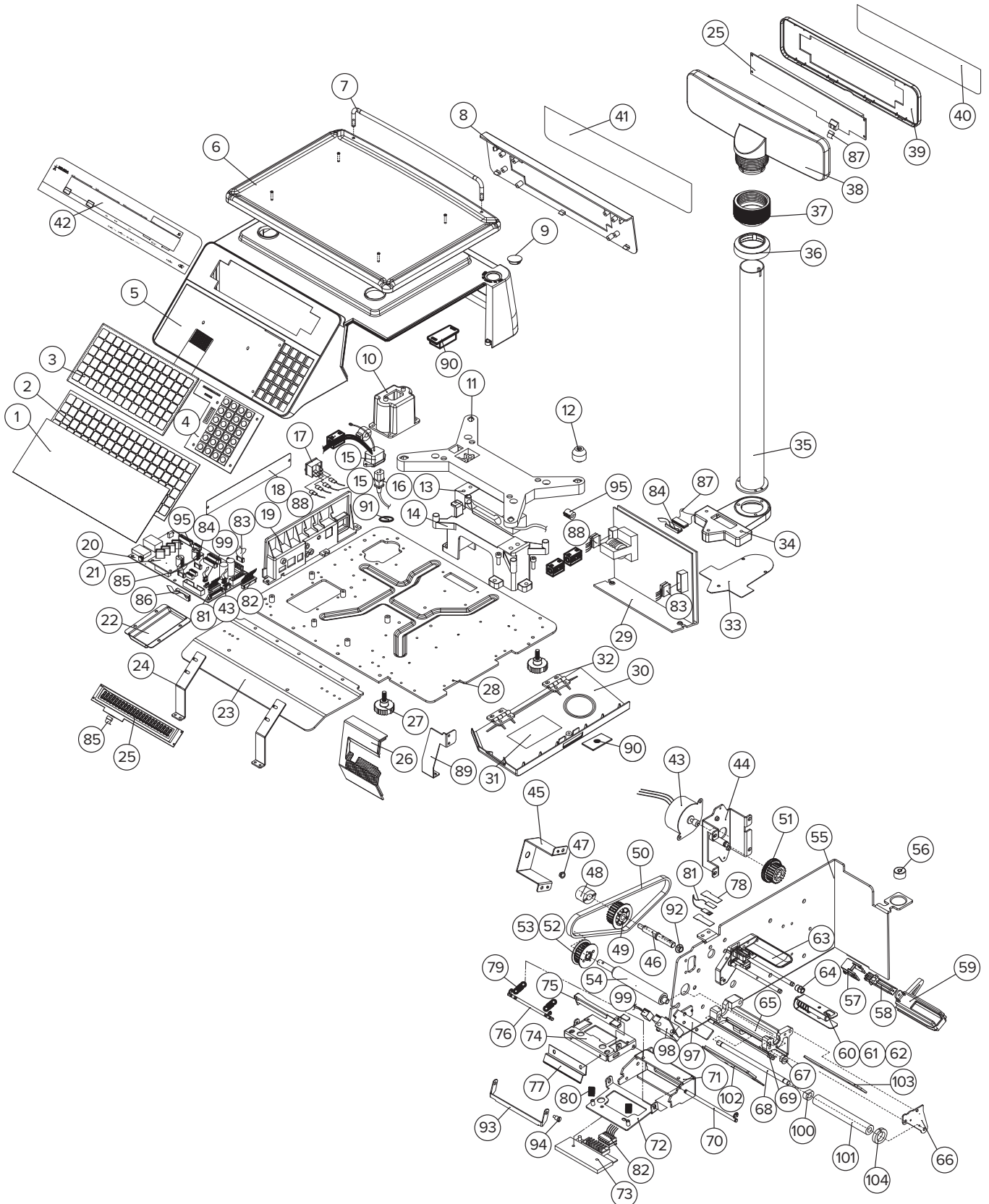


## Part Number/Price

Ref #	Part #	Description	Synonym	Price
1	169722	Sheet, keyboard, transparent	000-901-2366-10	\$7.00
2	169723	Edit-keysheet	000-901-3806-06	\$20.00
3	169724	Membrane keypad	000-901-2364-03	\$34.00
—	170916	Keysheet, operation insert	300-000-0372-00	\$28.00
4	169725	PWB, PS-068, tactile keys	000-901-2456-02	\$37.00
5	181179	Case	000-901-3796-02	\$47.00
6	169727	Platter	000-900-9218-10	\$80.00
7	169728	Guard, platter backstop	000-900-9217-07	\$10.00
—	42848	Screw, Phillips, M4-0.7x8, Pan Head, Lock and Flat Washer, SST - QTY 2 required		\$2.00
8	181183	Cover, customer	000-901-3808-03	\$8.00
9	102812	Lens	000-900-1056-14	\$2.00
10	Consult	Support, power outlet	000-901-3795-09	\$4.00
11	Consult	Platter, support	000-900-0014-23	\$20.00
12	44406	Rubber, platter support, 30 lb	000-900-0016-49	\$4.00
	190731	Rubber, platter support, 60 lb	000-900-8088-19	\$2.00
13	80963	Load cell, 30 lb, C2G1-25K-S18	000-900-2490-11	\$159.00
	190314	Load cell, 60 lb, C2G1-50K-S18	000-900-6735-09	\$166.00
14	Consult	Base	000-900-9201-17	\$13.00
15	80969	Harness, C4, power, includes receptacle	000-900-2842-37	\$10.00
16	80991	Power cord	000-900-3335-11	\$21.00
17	66398	Switch	000-900-0305-09	\$13.00
19	203014	Cover, connector	000-901-3797-06	\$8.00
20	169730	PWB, PS-990G-2, CPU board, 2M	000-901-2410-11	\$775.00
21	169729	PWB, PS-067, A/D board	000-901-2446-14	\$239.00
22	169731	Cover, base	000-901-1298-07	\$4.00
23	Consult	Base	000-901-2301-18	\$14.00
24	Consult	Bracket, display	000-901-1291-01	\$2.00
25	169783	Display, LCD	000-901-3971-08	\$209.00
26	169733	Cover, printer, front	000-901-3798-00	\$7.00
27	79432	Foot level	000-900-0025-15	\$12.00
28	Consult	Base	000-901-2300-05	\$52.00
29	107707	Power supply, LFS100-24	000-089-5503-03	\$252.00
30	169734	Cover, printer, side	000-901-3799-03	\$8.00
—	Consult	Disk, metal, door latch		Consult
—	50159	Screw, tapping M4-0.7x10 flat head phillips	00-7400-02	\$3.00
31	169735	Decal, label loading, printer	000-901-3973-14	\$2.00
32	66383	Hinge	000-900-4296-03	\$3.00
—	41732	Screw, cap M4-0.7x6 button head phillips	000-0237-06	\$2.00
—	187367	Screw, tapping M4x6-8 long phillips stainless steel	000-075-1405-09	\$2.00
33	192238	Bracket, pole base	000-901-2361-02	\$18.00
34	177789	Pole base	000-901-2356-12	\$11.00
—	Consult	M4x6 screw, 3 pc required (secure 35 to 34)		Consult
35	192239	Pole	000-901-3782-10	\$50.00
36	192240	Cover, pole base	000-901-3809-07	\$3.00
37	178626	Lock nut, Uni-3	000-901-3811-05	\$5.00
38	192241	Case, display, B	000-901-3812-09	\$10.00
39	192242	Case, display, F	000-901-3810-01	\$5.00
40	179454	Sheet, 30 lb customer display	000-901-3790-01	\$10.00
	190733	Sheet, 60 lb customer display	000-901-4431-16	\$12.00
41	179452	Panel, 30 lb customer display	000-901-3805-02	\$10.00
	190737	Panel, 60 lb operator display	000-901-4430-03	\$12.00
42	174508	Sheet, 60 lb operator display	000-901-3789-06	\$10.00
	190738	Sheet, 60 lb customer display	300-000-0846-00	\$2.00
43	179441	Motor, stepping, includes harness and small drive gear	000-901-3866-19	\$42.00
44	Consult	Bracket, motor	000-901-1295-24	\$5.00
45	Consult	Bracket	000-901-1296-37	\$2.00
46	193844	Axis, rewind	000-901-2397-33	\$8.00

# Uni-3L1

Pole



Printing Scales

# Uni-3L1

Pole

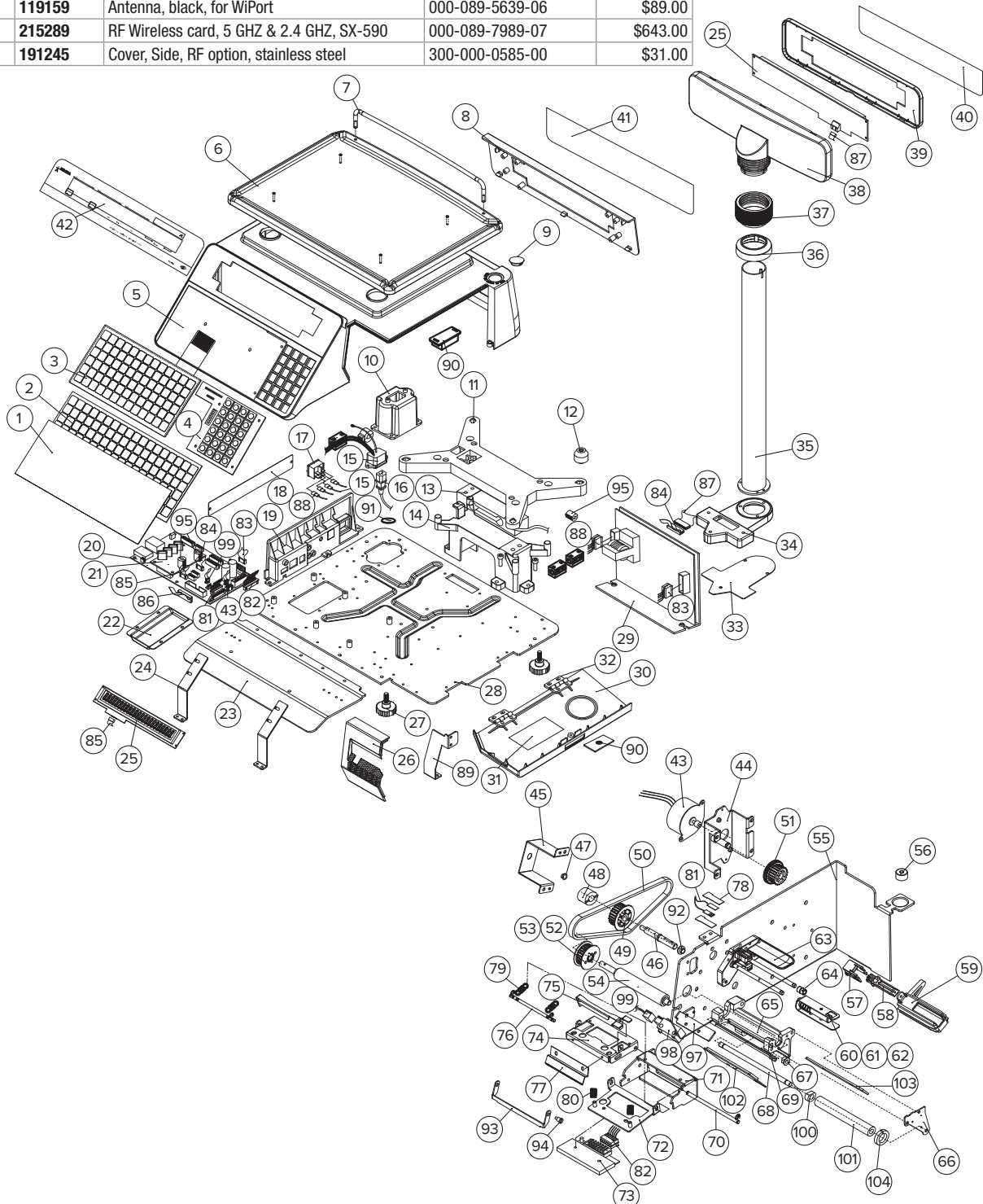


## Part Number/Price

Ref #	Part #	Description	Synonym	Price
47	Consult	Bush	000-901-4481-03	\$1.00
48	Consult	Bush, OLTC6-1500C	000-901-4494-01	\$16.00
49	179442	Gear, rewind	000-901-2360-36	\$2.00
50	179443	Timing belt, 3M-HTD-330	000-901-2435-04	\$6.00
51	179444	Gear, dual	000-901-2357-07	\$3.00
—	66375	Set screw, 1.5 mm, M3-0.5 x 6 mm	000-002-1942-07	\$2.00
53	179446	Cover, gear, drive	000-901-2359-04	\$2.00
—	Consult	M3x7 self tapping button head screws (2)		Consult
54	169737	Roller, rubber, print roller	000-901-0040-00	\$27.00
55	192243	Frame, printer	000-901-1293-36	\$17.00
56	44425	Level unit	000-900-5727-05	\$50.00
57	66378	Holder, guide, label	000-089-2830-01	\$4.00
58	66376	Lever, guide, label	000-089-2858-04	\$4.00
59	Consult	Holder, label	000-089-6667-04	\$5.00
60	185465	Bracket	000-901-4499-19	\$5.00
61	185467	Spring, bobbin	000-900-6740-08	\$2.00
62	185468	Shaft, bobbin	000-900-8333-20	\$8.00
63	198378	Support, NL	000-900-9359-11	\$6.00
64	191914	Axle bush	000-900-9361-10	\$2.00
65	192244	Support, roll, NL	000-900-9358-36	\$8.00
66	192245	Cover, NL	000-900-9360-25	\$3.00
67	66370	Bush, left	000-900-0894-06	\$2.00
68	193226	Axis	000-900-9363-17	\$3.00
69	193225	Peel shaft	000-901-3774-01	\$12.00
	170541	Linerless peel shaft kit	300-000-0319-00	\$51.00
70	45221	Shaft	000-900-0844-19	\$5.00
—	46986	E-clip, stainless steel, M3 shaft, 5 mm ID, 9.5 mm OD	400-000-0969-00	\$2.00
71	192246	Frame, head	000-900-9205-39	\$10.00
72	191529	Bracket, head	000-900-9206-16	\$6.00
73	119169	Thermal head, CHX56-8359, 1100 ohm	000-901-5061-06	\$252.00
74	192247	Bracket, lock	000-900-9207-37	\$9.00
75	177790	Bracket, push	000-900-9208-03	\$5.00
76	188149	Axis, hold	000-900-9223-00	\$3.00
77	188153	Tear bar	000-900-6722-01	\$4.00
78	Consult	Bracket, sensor	000-900-9364-01	\$1.00
79	45206	Tension spring	000-900-0849-08	\$3.00
80	45203	Spring coil	000-900-0848-04	\$2.00
—	200477	Screw, pan head, M3x15 mm	000-002-1833-04	\$2.00
81	104832	Label gap sensor assembly	000-900-5225-02	\$34.00
82	104267	Harness, S2, Thermal head	000-900-2840-21	\$19.00
83	47073	Harness, S2, power, out to CPU	000-900-0286-11	\$34.00
84	192542	Harness, C3, display, customer	000-901-2400-04	\$6.00
85	170779	Harness, S2, display, operator	000-901-2399-03	\$4.00
86	170780	Harness, S2, keyboard	000-901-2312-19	\$8.00
87	192743	Harness, S2, display LCD, customer, in pole	000-900-9255-18	\$4.00
88	66396	Harness, C3, power, in from switch	000-900-2841-06	\$9.75
89	Consult	Bracket, printer	000-901-1292-05	\$3.00
90	198435	Bracket, magnet	000-901-5062-00	\$2.00
91	Consult	Label, GND core	000-900-1338-05	\$1.00
92	193845	Bush, CSB-EPBF-0608-04	000-901-3953-01	\$2.00
93	199263	Bracket, cutter	000-901-3781-07	\$3.00
94	199264	Screw, cutter	000-901-3960-25	\$2.00
95	Consult	Ferrite, core	000-900-0730-09	\$6.00
97	193312	Bracket, peel sensor	000-901-5065-01	\$11.00
98	179447	Peel sensor, reflective	000-078-0604-01	\$40.00
99	195421	Harness, peel sensor, 160 mm	000-901-5063-03	\$4.00
100	205909	Bush	000-901-4488-09	\$6.00
101	Consult	Shaft, POM	000-901-4487-05	\$9.00

## Part Number/Price

Ref #	Part #	Description	Synonym	Price
102	193224	Bracket, peel off	000-901-4484-13	\$11.00
103	Consult	Bracket, fixed	000-901-4485-17	\$6.00
104	Consult	Label guide	000-901-4486-01	\$4.00
105	Consult	Magnet	000-901-3743-05	\$2.00
Wi-Port and Wireless Options				
999	119159	Antenna, black, for WiPort	000-089-5639-06	\$89.00
999	215289	RF Wireless card, 5 GHZ & 2.4 GHZ, SX-590	000-089-7989-07	\$643.00
999	191245	Cover, Side, RF option, stainless steel	300-000-0585-00	\$31.00



Printing Scales

# Uni-3L2

Bench

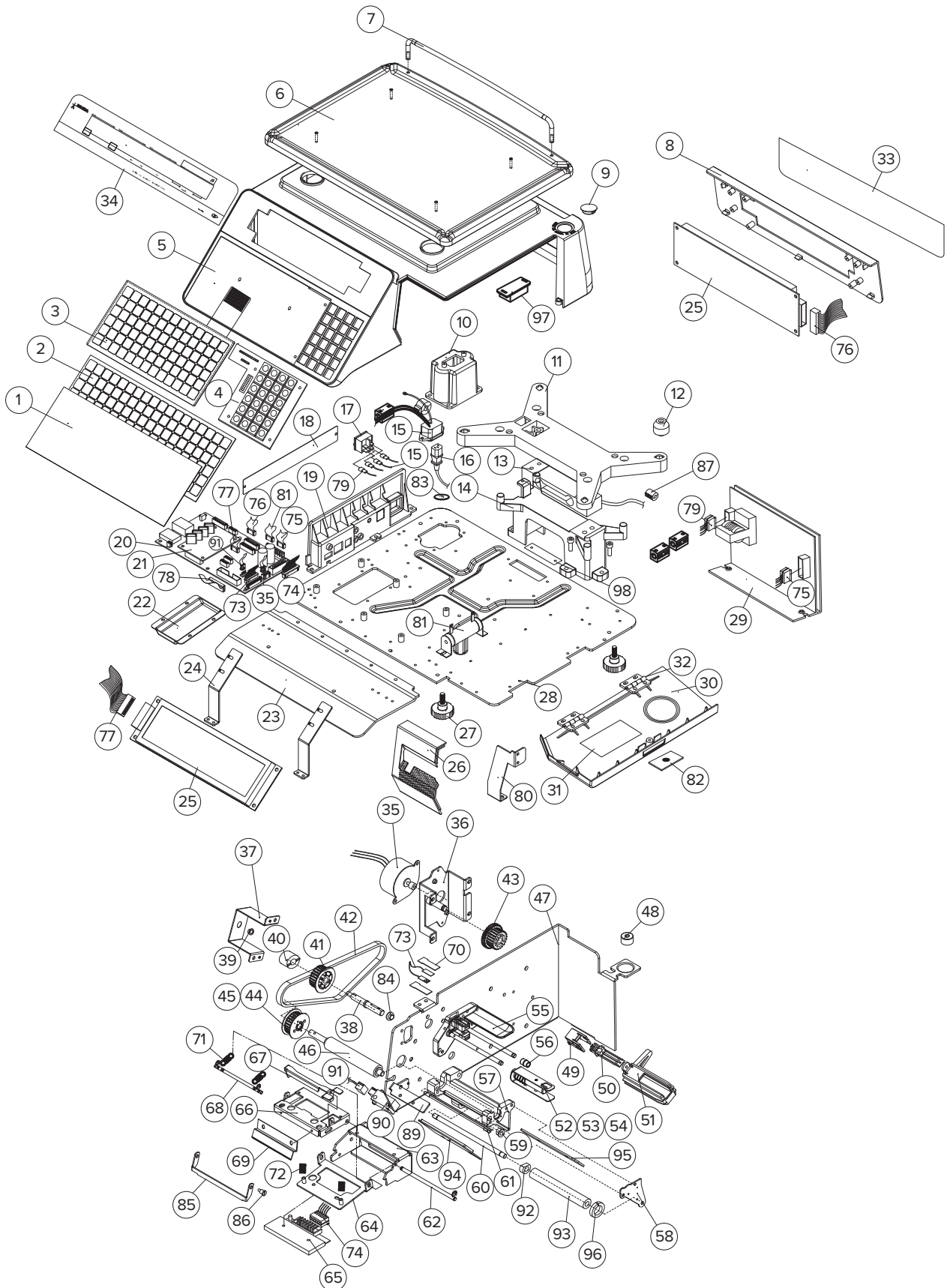


## Part Number/Price

Ref #	Part #	Description	Synonym	Price
1	169722	Sheet, keyboard, transparent	000-901-2366-10	\$7.00
2	169723	Edit-keysheet	000-901-3806-06	\$20.00
3	169724	Membrane, keypad	000-901-2364-03	\$34.00
—	170916	Keysheet, operation insert	300-000-0372-00	\$28.00
4	169725	PWB, PS-068, tactile keys	000-901-2456-02	\$37.00
5	181179	Case	000-901-3796-02	\$47.00
6	169727	Platter	000-900-9218-10	\$80.00
7	169728	Guard, platter backstop	000-900-9217-07	\$10.00
—	42848	Screw, Phillips, M4-0.7x8, Pan Head, Lock and Flat Washer, SST - QTY 2 required		\$2.00
8	181183	Cover, customer	000-901-3808-03	\$8.00
9	102812	Lens	000-900-1056-14	\$2.00
10	Consult	Support, power outlet	000-901-3795-09	\$4.00
11	Consult	Platter, support	000-900-0014-23	\$20.00
12	44406	Rubber, platter support, 30 lb	000-900-0016-49	\$4.00
	190731	Rubber, platter support, 60 lb	000-900-8088-19	\$2.00
13	80963	Load cell, 30 lb, C2G1-25K-S18	000-900-2490-11	\$159.00
	190314	Load cell, 60 lb, C2G1-50K-S18	000-900-6735-09	\$166.00
14	Consult	Base	000-900-9201-17	\$13.00
15	80969	Harness, C4, power, includes receptacle	000-900-2842-37	\$10.00
16	80991	Power cord	000-900-3335-11	\$21.00
17	66398	Switch	000-900-0305-09	\$13.00
19	203014	Cover, connector	000-901-3797-06	\$8.00
20	169730	PWB, PS-990G-2, CPU board, 2M	000-901-2410-11	\$775.00
21	169729	PWB, PS-067, A/D board	000-901-2446-14	\$239.00
22	169731	Cover, base	000-901-1298-07	\$4.00
23	Consult	Base	000-901-2301-18	\$14.00
24	Consult	Bracket, display	000-901-1290-08	\$2.00
25	169732	Display, LCD, dot	000-901-4404-06	\$281.00
26	169733	Cover, printer, front	000-901-3798-00	\$7.00
27	79432	Foot, level	000-900-0025-15	\$12.00
28	Consult	Base	000-901-2300-05	\$52.00
29	107707	Power supply, LFS100-24	000-089-5503-03	\$252.00
30	169734	Cover, printer, side	000-901-3799-03	\$8.00
—	—	Disk, metal, door latch		Consult
—	50159	Screw, tapping M4-0.7x10 flat head phillips	00-7400-02	\$3.00
31	169735	Decal, label loading, printer	000-901-3973-14	\$2.00
32	66383	Hinge	000-900-4296-03	\$3.00
—	41732	Screw, cap M4-0.7x6 button head phillips	000-0237-06	\$2.00
—	187367	Screw, tapping M4x6-8 long phillips stainless steel	000-075-1405-09	\$2.00
33	179451	Sheet, display, customer, 30 lb	000-901-3794-05	\$11.00
	190734	Sheet, display, customer, 60 lb	000-901-4434-17	\$12.00
34	174509	Sheet, display, operator, 30 lb	000-901-3792-08	\$10.00
	190736	Sheet, display, operator, 60 lb	000-901-4434-17	\$12.00
35	179441	Motor, stepping, includes harness and small drive gear	000-901-3866-19	\$42.00
36	Consult	Bracket, motor	000-901-1295-24	\$5.00
37	Consult	Bracket	000-901-1296-37	\$2.00
38	193844	Axis, rewind	000-901-2397-33	\$8.00
39	Consult	Bush	000-901-4481-03	\$1.00
40	Consult	Bush, OLTC6-1500C	000-901-4494-01	\$16.00
41	179442	Gear, rewind	000-901-2360-36	\$2.00
42	179443	Timing belt, 3M-HTD-330	000-901-2435-04	\$6.00
43	179444	Gear, dual	000-901-2357-07	\$3.00
44	179445	Gear, drive	000-901-2358-01	\$3.00
—	66375	Set screw, 1.5 mm, M3-0.5 x 6 mm	000-002-1942-07	\$2.00
45	179446	Cover, gear, drive	000-901-2359-04	\$2.00
—	Consult	M3x7 self tapping button head screws (2)		Consult
46	169737	Roller, rubber, print roller	000-901-0040-00	\$27.00
47	192243	Frame, printer	000-901-1293-36	\$17.00
48	44425	Level unit	000-900-5727-05	\$50.00

# Uni-3L2

Bench



Printing Scales

# Uni-3L2

Bench

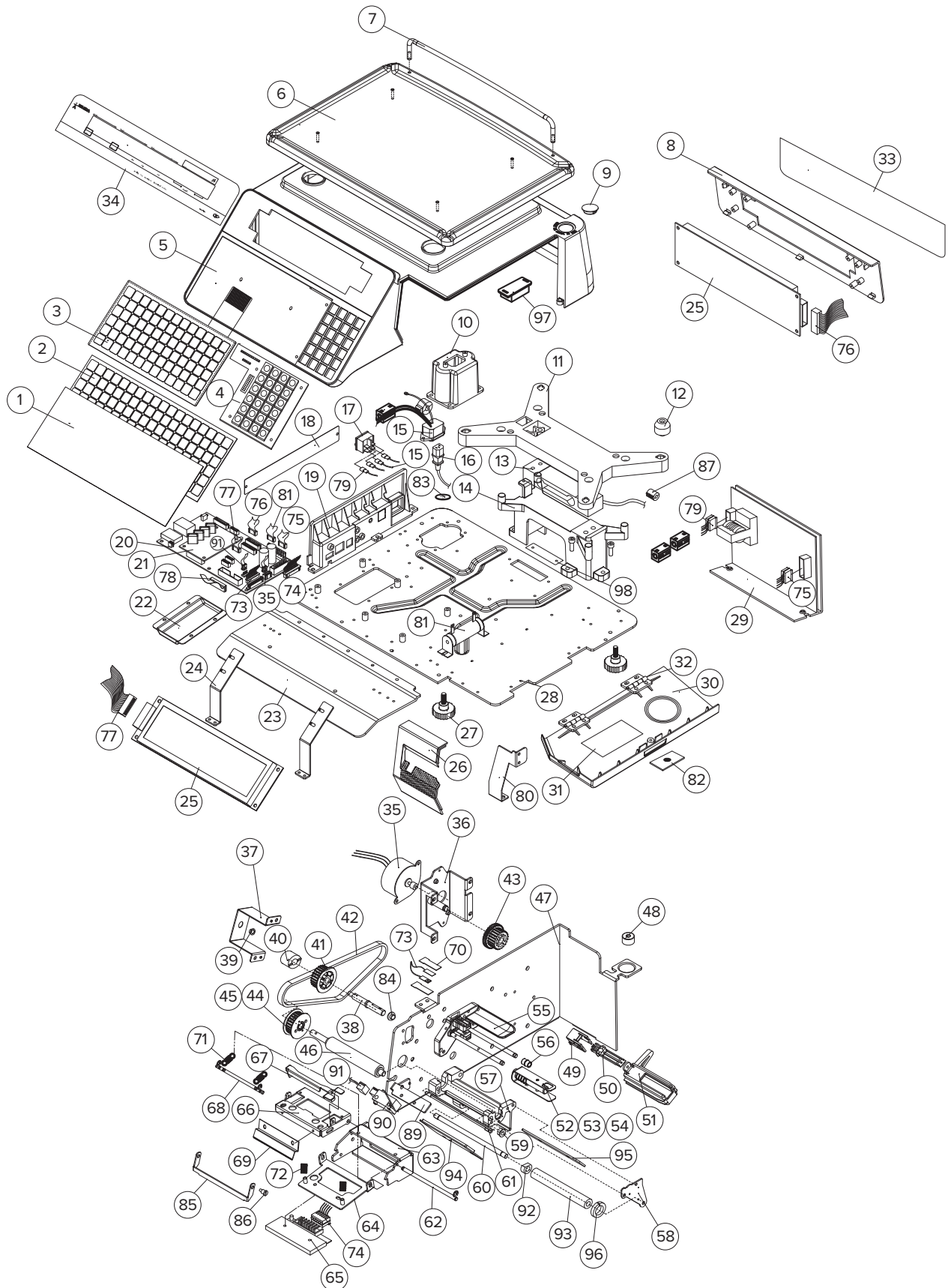


## Part Number/Price

Ref #	Part #	Description	Synonym	Price
49	66378	Holder, guide, label	000-089-2830-01	\$4.00
50	66376	Lever, guide, label	000-089-2858-04	\$4.00
51	Consult	Holder, label	000-089-6667-04	\$5.00
52	185465	Bracket	000-901-4499-19	\$5.00
53	185467	Spring, bobbin	000-900-6740-08	\$2.00
54	185468	Shaft, bobbin	000-900-8333-20	\$8.00
55	198378	Support, NL	000-900-9359-11	\$6.00
56	191914	Axle bush	000-900-9361-10	\$2.00
57	192244	Support, roll, NL	000-900-9358-36	\$8.00
58	192245	Cover, NL	000-900-9360-25	\$3.00
59	66370	Bush, left	000-900-0894-06	\$2.00
60	193226	Axis	000-900-9363-17	\$3.00
61	193225	Axis, peel shaft	000-901-3774-01	\$12.00
	170541	Linerless peel shaft kit	300-000-0319-00	\$51.00
62	45221	Shaft	000-900-0844-19	\$5.00
—	46986	E-clip, stainless steel, M3 shaft, 5 mm ID, 9.5 mm OD	400-000-0969-00	\$2.00
63	192246	Frame, head	000-900-9205-39	\$10.00
64	191529	Bracket, head	000-900-9206-16	\$6.00
65	119169	Thermal head, CHX56-8359, 1100 ohm	000-901-5061-06	\$252.00
66	192247	Bracket, lock	000-900-9207-37	\$9.00
67	177790	Bracket, push	000-900-9208-03	\$5.00
68	188149	Axis, hold	000-900-9223-00	\$3.00
69	188153	Tear bar	000-900-6722-01	\$4.00
70	195440	Bracket, sensor	000-900-9364-01	\$2.00
71	45206	Tension spring	000-900-0849-08	\$3.00
72	45203	Spring coil	000-900-0848-04	\$2.00
—	200477	Screw, pan head, M3x15 mm	000-002-1833-04	\$2.00
73	104832	Label gap sensor assembly	000-900-5225-02	\$34.00
74	104267	Harness, S2, thermal head	000-900-2840-21	\$19.00
75	47073	Harness, S2, power, out to CPU	000-900-0286-11	\$34.00
76	Consult	Harness, LCD display, 380 mm, customer	000-900-3632-17	\$6.00
77	104253	Harness, S2, LCD display, operator	000-900-2838-04	\$8.00
78	170780	Harness, S2, keyboard	000-901-2312-19	\$8.00
79	66396	Harness, C3, power, in from switch	000-900-2841-06	\$9.75
80	Consult	Bracket, printer	000-901-1292-05	\$3.00
81	104172	Resistor assembly	000-900-2839-08	\$30.00
82	198435	Bracket, magnet	000-901-5062-00	\$2.00
83	Consult	Label, GND cord	000-900-1338-05	\$1.00
84	193845	Bush, CSB-EPBF-0608-04	000-901-3953-01	\$2.00
85	199263	Bracket, cutter	000-901-3781-07	\$3.00
86	199264	Screw, cutter	000-901-3960-25	\$2.00
87	Consult	Ferrite, core	000-900-0730-09	\$6.00
89	193312	Bracket, peel sensor	000-901-5065-01	\$11.00
90	179447	Peel sensor, reflective	000-078-0604-01	\$40.00
91	195421	Harness, peel sensor, 160 mm	000-901-5063-03	\$4.00
92	205909	Bush	000-901-4488-09	\$6.00
93	Consult	Shaft, POM	000-901-4487-05	\$9.00
94	193224	Bracket, peel off	000-901-4484-13	\$11.00
95	Consult	Bracket, fixed	000-901-4485-17	\$6.00
96	Consult	Label guide	000-901-4486-01	\$4.00
97	Consult	Magnet	000-901-3743-05	\$2.00
98	Consult	Bracket, base cover	000-901-1297-01	\$2.00
<b>Wi-Port and Wireless Options</b>				
999	119159	Antenna, black, for WiPort	000-089-5639-06	\$89.00
999	215289	RF Wireless card, 5 GHZ & 2.4 GHZ, SX-590	000-089-7989-07	\$643.00
999	191245	Cover, Side, RF option, stainless steel	300-000-0585-00	\$31.00

# Uni-3L2

Bench



Printing Scales

# Uni-3L2

Pole

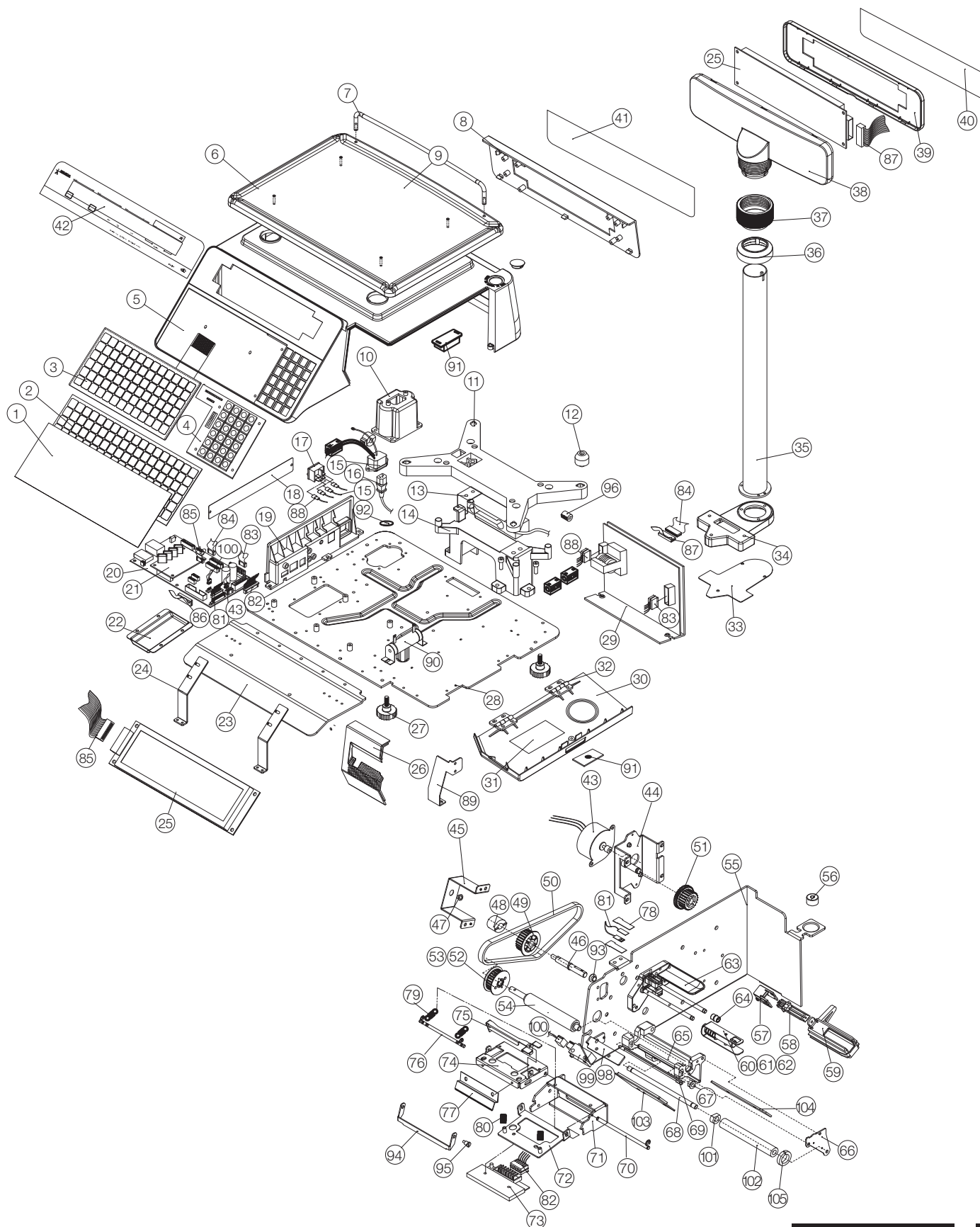


## Part Number/Price

Ref #	Part #	Description	Synonym	Price
1	169722	Sheet, Keyboard, transparent	000-901-2366-10	\$7.00
2	169723	Edit-keysheet	000-901-3806-06	\$20.00
3	169724	Membrane keypad	000-901-2364-03	\$34.00
—	170916	Keysheet, operation insert	300-000-0372-00	\$28.00
4	169725	PWB, PS-068, tactile keys	000-901-2456-02	\$37.00
5	181179	Case	000-901-3796-02	\$47.00
6	169727	Platter	000-900-9218-10	\$80.00
7	169728	Guard, platter backstop	000-900-9217-07	\$10.00
—	42848	Screw, Phillips, M4-0.7x8, Pan Head, Lock and Flat Washer, SST - QTY 2 required		\$2.00
8	181183	Cover, customer	000-901-3808-03	\$8.00
9	102812	Lens	000-900-1056-14	\$2.00
10	Consult	Support, power outlet	000-901-3795-09	\$4.00
11	Consult	Platter, support	000-900-0014-23	\$20.00
12	44406	Rubber, platter support, 30 lb	000-900-0016-49	\$1.00
	190731	Rubber, platter support, 60 lb	000-900-8088-19	\$2.00
13	80963	Load cell, 30 lb, C2G1-25K-S18	000-900-2490-11	\$159.00
	190314	Load cell, 60 lb, C2G1-50K-S18	000-900-6735-09	\$166.00
14	Consult	Base	000-900-9201-17	\$13.00
15	80969	Harness, C4, power, includes receptacle	000-900-2842-37	\$10.00
16	80991	Power cord	000-900-3335-11	\$21.00
17	66398	Switch	000-900-0305-09	\$13.00
19	203014	Cover, connector	000-901-3797-06	\$8.00
20	169730	PWB, PS-990G-2, CPU board, 2M	000-901-2410-11	\$775.00
21	169729	PWB, PS-067, A/D board	000-901-2446-14	\$239.00
22	169731	Cover, base	000-901-1298-07	\$4.00
23	Consult	Base	000-901-2301-18	\$14.00
24	Consult	Bracket, display	000-901-1290-08	\$2.00
25	169732	Display, LCD, dot	000-901-4404-06	\$281.00
26	169733	Cover, printer, front	000-901-3798-00	\$7.00
27	79432	Foot, level	000-900-0025-15	\$12.00
28	Consult	Base	000-901-2300-05	\$52.00
29	107707	Power supply, LFS100-24	000-089-5503-03	\$252.00
30	169734	Cover, printer, side	000-901-3799-03	\$8.00
—	—	Disk, metal, door latch		Consult
—	50159	Screw, tapping M4-0.7x10 flat head phillips	00-7400-02	\$3.00
31	169735	Decal, label loading, printer	000-901-3973-14	\$2.00
32	66383	Hinge	000-900-4296-03	\$3.00
—	41732	Screw, cap M4-0.7x6 button head phillips	000-0237-06	\$2.00
—	187367	Screw, tapping M4x6-8 long phillips stainless steel	000-075-1405-09	\$2.00
33	192238	Bracket, pole base	000-901-2361-02	\$18.00
34	177789	Pole base	000-901-2356-12	\$11.00
—	—	M4x6 screw, 3 pc required (secure 35 to 34)		Consult
35	192239	Pole	000-901-3782-10	\$50.00
36	192240	Cover, pole base	000-901-3809-07	\$3.00
37	178626	Lock nut, UNI-3	000-901-3811-05	\$5.00
38	192241	Case, display, B	000-901-3812-09	\$10.00
39	192242	Case, display, F	000-901-3810-01	\$5.00
40	179453	Sheet, display, customer, 30 lb	000-901-3793-01	\$10.00
	190732	Sheet, display, customer, 60 lb	000-901-4433-04	\$12.00
41	179452	Panel, display	000-901-3805-02	\$10.00
42	174509	Sheet, display, operator, 30 lb	000-901-3792-08	\$10.00
	190736	Sheet, display, operator, 60 lb	000-901-4434-17	\$12.00
43	179441	Motor stepping, includes harness and small drive gear	000-901-3866-19	\$42.00
44	Consult	Bracket, motor	000-901-1295-24	\$5.00
45	Consult	Bracket	000-901-1296-37	\$2.00
46	193844	Axis, rewind	000-901-2397-33	\$8.00
47	Consult	Bush	000-901-4481-03	\$1.00

# Uni-3L2

Pole



Printing Scales

# Uni-3L2

Pole

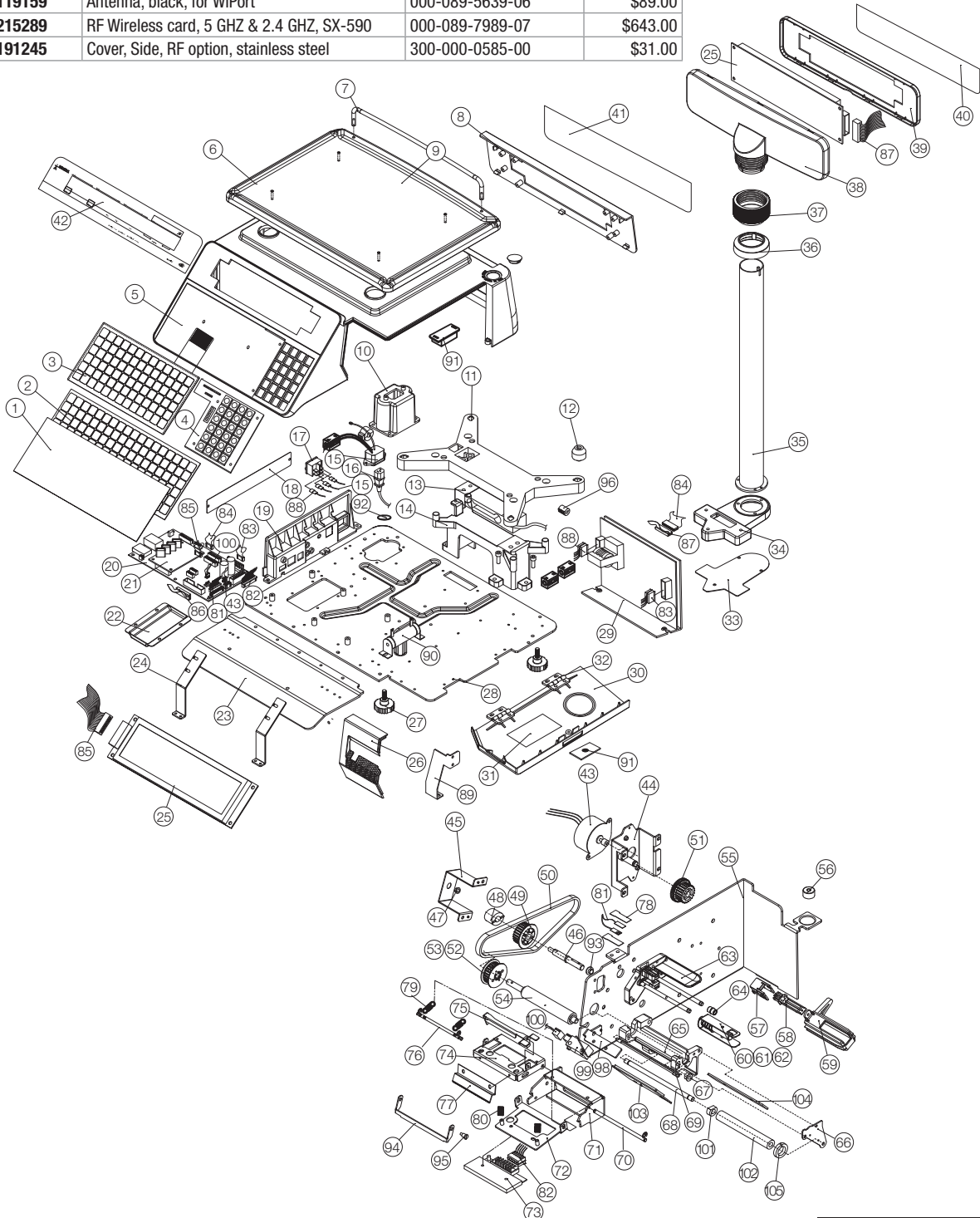


## Part Number/Price

Ref #	Part #	Description	Synonym	Price
48	Consult	Bush, OLT6-1500C	000-901-4494-01	\$16.00
49	179442	Gear, rewind	000-901-2360-36	\$2.00
50	179443	Timing belt, 3M-HTD-330	000-901-2435-04	\$6.00
51	179444	Gear, dual	000-901-2357-07	\$3.00
52	179445	Gear, drive	000-901-2358-01	\$3.00
—	66375	Set screw, 1.5 mm, M3-0.5 x 6 mm	000-002-1942-07	\$2.00
53	179446	Cover, gear, drive	000-901-2359-04	\$2.00
—	Consult	M3x7 self tapping button head screws (2)		Consult
54	169737	Roller, rubber, print roller	000-901-0040-00	\$27.00
55	192243	Frame, printer	000-901-1293-36	\$17.00
56	44425	Level unit	000-900-5727-05	\$50.00
57	66378	Holder, guide, label	000-089-2830-01	\$4.00
58	66376	Lever, guide, label	000-089-2858-04	\$4.00
59	Consult	Holder, label	000-089-6667-04	\$5.00
60	185465	Bracket	000-901-4499-19	\$5.00
61	185467	Spring, bobbin	000-900-6740-08	\$2.00
62	185468	Shaft, bobbin	000-900-8333-20	\$8.00
63	198378	Support, NL	000-900-9359-11	\$6.00
64	191914	Axle bush	000-900-9361-10	\$2.00
65	192244	Support, roll, NL	000-900-9358-36	\$8.00
66	192245	Cover, NL	000-900-9360-25	\$3.00
67	66370	Bush, left	000-900-0894-06	\$2.00
68	193226	Axis	000-900-9363-17	\$3.00
69	193225	Peel shaft	000-901-3774-01	\$12.00
	170541	Linerless peel shaft kit	300-000-0319-00	\$51.00
70	45221	Shaft	000-900-0844-19	\$5.00
—	46986	E-clip, stainless steel, M3 shaft, 5 mm ID, 9.5 mm OD	400-000-0969-00	\$2.00
71	192246	Frame, head	000-900-9205-39	\$10.00
72	191529	Bracket, head	000-900-9206-16	\$6.00
73	119169	Thermal head, CHX56-8359, 1100 ohm	000-901-5061-06	\$252.00
74	192247	Bracket, lock	000-900-9207-37	\$9.00
75	177790	Bracket, push	000-900-9208-03	\$5.00
76	188149	Axis, hold	000-900-9223-00	\$3.00
77	188153	Tear bar	000-900-6722-01	\$4.00
78	195440	Bracket, sensor	000-900-9364-01	\$2.00
79	45206	Tension spring	000-900-0849-08	\$3.00
80	45203	Spring coil	000-900-0848-04	\$2.00
—	200477	Screw, pan head, M3x15 mm	000-002-1833-04	\$2.00
81	104832	Label gap sensor assembly	000-900-5225-02	\$34.00
82	104267	Harness, S2, thermal head	000-900-2840-21	\$19.00
83	47073	Harness, S2, power, out to CPU	000-900-0286-11	\$34.00
84	187080	Harness, C2 (LCD customer display to S2 harness)	000-900-9391-02	\$15.00
85	104253	Harness, S2, LCD display, operator	000-900-2838-04	\$8.00
86	170780	Harness, S2, keyboard	000-901-2312-19	\$8.00
87	190023	Harness, S2, (CPU to C2 harness)	000-901-5022-01	\$8.00
88	66396	Harness, C3, power, in from switch	000-900-2841-06	\$9.75
89	Consult	Bracket, printer	000-901-1292-05	\$3.00
90	104172	Resistor assembly	000-900-2839-08	\$30.00
91	198435	Bracket, magnet	000-901-5062-00	\$2.00
92	Consult	Label, GND cord	000-900-1338-05	\$1.00
93	193845	Bush, CSB-EPBF-0608-04	000-901-3953-01	\$2.00
94	199263	Bracket, cutter	000-901-3781-07	\$3.00
95	199264	Screw, cutter	000-901-3960-25	\$2.00
96	Consult	Ferrite, core	000-900-0730-09	\$6.00
98	193312	Bracket, peel sensor	000-901-5065-01	\$11.00
99	179447	Peel sensor, reflective	000-078-0604-01	\$40.00
100	195421	Harness, peel sensor, 160 mm	000-901-5063-03	\$4.00
101	205909	Bush	000-901-4488-09	\$6.00

## Part Number/Price

Ref #	Part #	Description	Synonym	Price
102	Consult	Shaft, POM	000-901-4487-05	\$9.00
103	193224	Bracket, peel off	000-901-4484-13	\$11.00
104	Consult	Bracket, fixed	000-901-4485-17	\$6.00
105	Consult	Label guide	000-901-4486-01	\$4.00
106	Consult	Magnet	000-901-3743-05	\$2.00
Wi-Port and Wireless Options				
999	119159	Antenna, black, for WiPort	000-089-5639-06	\$89.00
999	215289	RF Wireless card, 5 GHZ & 2.4 GHZ, SX-590	000-089-7989-07	\$643.00
999	191245	Cover, Side, RF option, stainless steel	300-000-0585-00	\$31.00



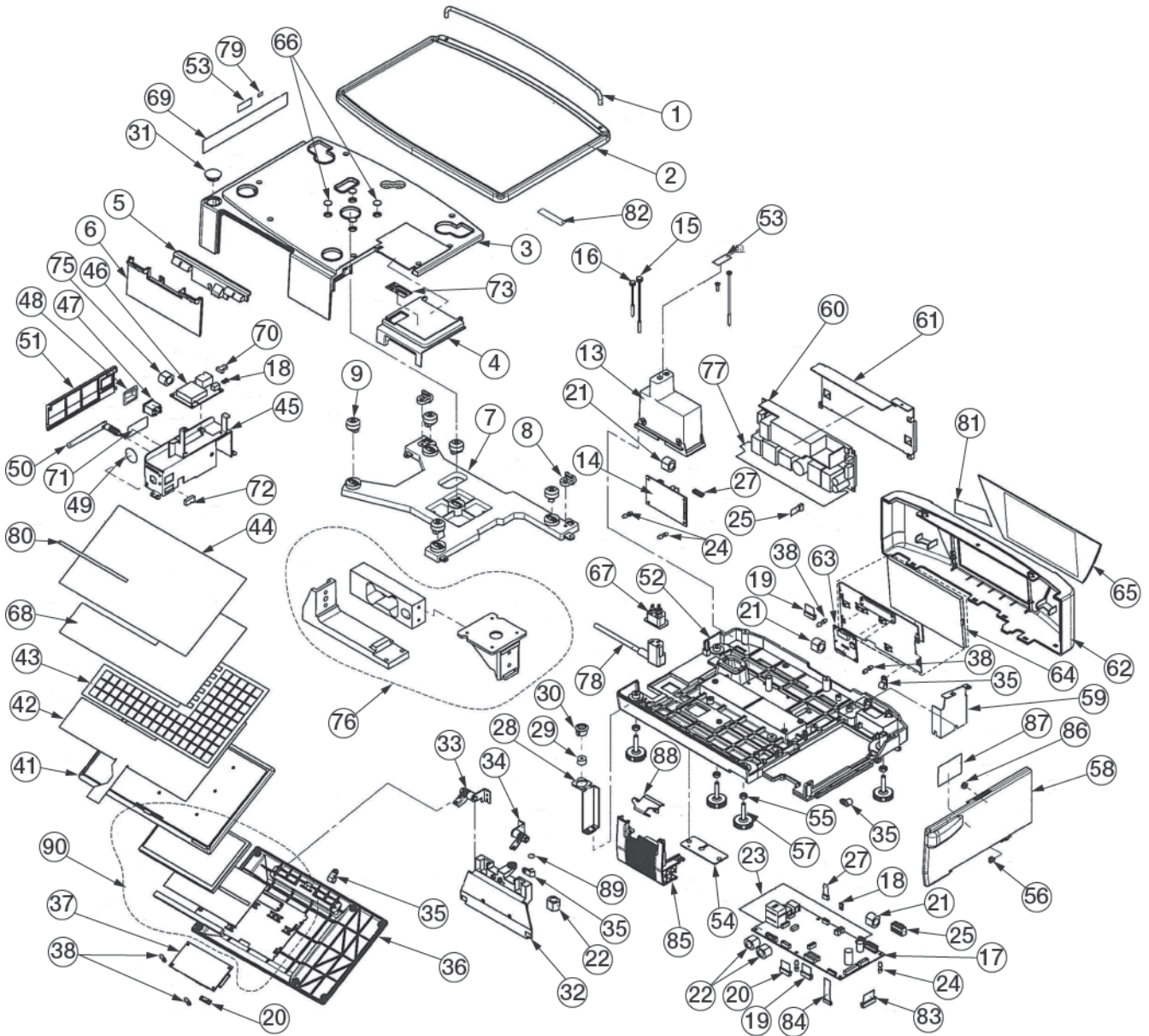
Printing Scales

# Uni-5 Bench



## Part Number/Price

Ref #	Part #	Description	Synonym	Price
1	129419	Guide plate backstop	089-4984-08	\$38.00
—	50157	Screws for backstop PN 129419 M4-0.7x10 pan head w/lock washer SST	089-4984-08	\$3.00
2	129418	Platter, 30 lb	089-4960-18	\$211.00
	158515	Platter, 60 lb	089-7833-00	\$102.00
3	193142	Case main upper	089-5753-08	\$66.00
—	—	Machine screw, countersink, M4x10, 5 pc	400-000-2535-00	Consult
—	—	Tapping screw, countersink, M4x10, 3 pc	400-000-5390-00	Consult
—	—	Machine screw, washer head, M4x15, 1 pc	400-000-2536-00	Consult
4	158073	Cover printer upper	089-5757-02	\$5.00
5	158074	Cover hinge upper	089-5758-06	\$4.00
—	185489	Screw, countersink, M3x16		\$1.00
6	158075	Cover hinge lower	089-5759-00	\$6.00
7	Consult	Platter support	089-4959-04	\$52.00
8	119505	Block B hinge platter	089-4964-12	\$2.00
9	168713	Rubber platter support, 30 lb	089-4963-00	\$4.00
	193397	Rubber platter support, 60 lb	089-6548-04	\$79.00
13	Consult	Case A/D board	089-4996-02	\$20.00
14	119145	PWB P-999B A/D board	089-5825-11	\$243.00
15	126463	Screw seal hex long	089-5834-06	\$6.00
16	126464	Screw seal hex short	089-5835-00	\$6.00
17	130235	PWB PK-270C CPU	089-6858-09	\$1,329.00
18	163384	Harness S2 5V power	089-5636-05	\$6.00
19	132393	Harness S2, customer display	089-5631-16	\$84.00
20	163775	Harness S2, operator LCD display/keyboard	089-5630-12	\$93.00
21	Consult	Ferrite core	089-6532-05	\$11.00
22	Consult	Ferrite core	089-6531-01	\$14.00
23	Consult	Sheet insulation	089-5727-01	\$5.00
24	41734	Accessory PWB guide space	000-1795-01	\$2.00
25	190576	Harness S2 24V DC power	089-5634-08	\$12.00
27	Consult	Harness C2 A/D	089-5627-01	\$11.00
28	Consult	Bracket level	089-4968-08	\$6.00
29	44425	Level Unit	900-5727-05	\$50.00
30	44455	Frame level	089-0930-02	\$2.00
31	42857	Level lens	089-1219-01	\$4.00
32	Consult	Bracket torque hinge	089-4967-04	\$30.00
33	156446	Hinge, left	089-5505-01	\$29.00
34	156447	Hinge, right	089-5506-04	\$29.00
—	45519	M3x8 tapping screw	000-0353-05	\$2.00
—	178863	Keyboard support hinge kit (4 screws, 2 plates)		\$22.00
—	120646	Bolt, M3x6 mm phillips hex head with washers zinc	078-0612-01	\$2.00
35	132394	Ground clamp	089-5810-07	\$3.00
36	152664	Case Rear control	089-6412-01	\$40.00
—	179568	Washer screw, self-tapping, M3x8	400-000-0487-00	\$3.00
37	119154	PWB PK-261A keyboard /display controller	089-5614-03	\$333.00
38	132395	Accessory PCB support	116-6895-05	\$2.00
41	152663	Case front control	089-6421-05	\$50.00
42	119155	Keyboard membrane	089-5682-16	\$65.00
43	119156	Sheet keyboard-programming	089-4946-06	\$25.00
44	151525	Cover keyboard, transparent overlay	089-6795-08	\$50.00
45	Consult	Bracket connector assembly	089-6884-06	\$38.00
46	215289	RF Wireless card, 5 GHZ & 2.4 GHZ, SX-590	000-089-7989-07	\$643.00
—	132395	Support, PCB	116-6895-05	\$2.00
—	48784	Screw, M3x6 w/flange (mounting screw)	010-0725-06	\$2.00
47	161916	Harness C4 switch assembly	089-5638-11	\$11.00
48	130811	Cover switch	089-5591-01	\$11.00
49	Consult	Sticker seal	075-1264-01	\$4.00
50	119159	Antenna, black, for WiPort	089-5639-06	\$89.00

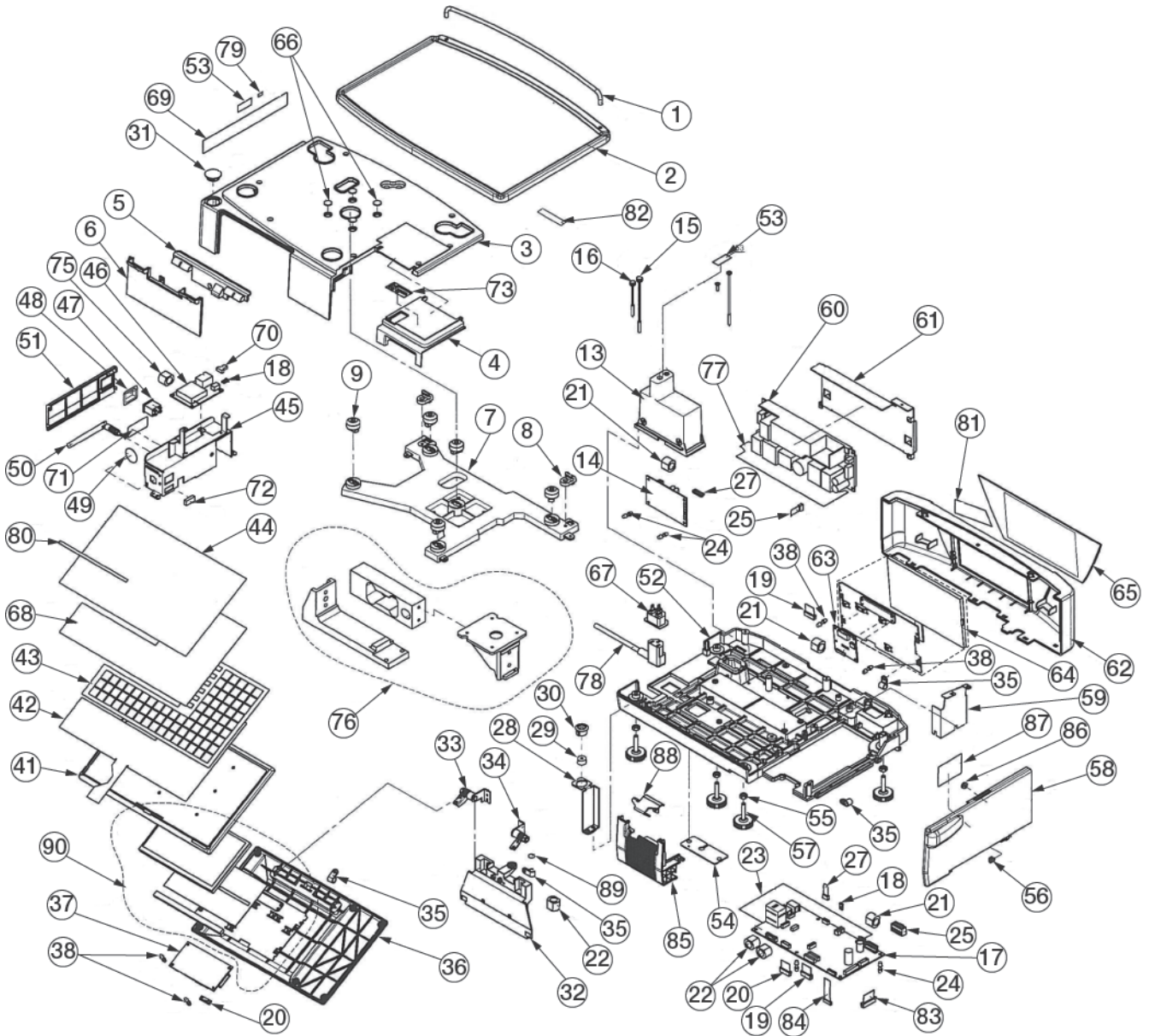


# Uni-5 Bench



## Part Number/Price

Ref #	Part #	Description	Synonym	Price
51	Consult	Cover bracket connector	089-5755-05	\$3.00
52	Consult	Base	089-5814-20	\$118.00
53	126461	Sticker void	089-4988-02	\$6.00
54	159797	Plate B RS-232C	089-5516-01	\$4.00
55	125462	Nut, hex M6 SST		\$3.00
56	158076	Block B hinge side cover	089-5761-08	\$2.00
57	130813	Foot adjust	089-5083-06	\$4.00
58	158077	Cover side	089-5756-18	\$14.00
59	Consult	Cover harness	089-4987-09	\$4.00
60	119160	Power supply	079-1225-04	\$248.00
61	Consult	Bracket power	089-4995-09	\$23.00
62	170256	Case rear cover	089-6417-00	\$43.00
63	119161	PWB PK-263A customer display board	089-5615-07	\$78.00
64	119162	LCD, customer display	089-5623-16	\$212.00
65	184730	Case rear panel	089-6785-01	\$25.00
66	174042	Cap	089-4983-04	\$2.00
67	203992	Harness C2 power assembly	089-5633-04	\$4.00
68	130815	Sheet keyboard-operation insert	089-5508-11	\$16.00
70	130816	Harness S2 LAN	089-5637-09	\$16.00
71	Consult	Sticker location output	089-6784-07	\$1.00
72	Consult	Gasket 20 mm	089-5728-04	\$1.00
73	Consult	Sticker important	089-6857-05	\$1.00
75	Consult	Ferrite core	089-6889-04	\$14.00
76	119164	Load cell assembly, 30 lb	089-6149-01	\$255.00
	158516	Load cell assembly, 60 lb	089-6924-01	\$255.00
77	Consult	Sheet insulation power supply	089-6353-14	\$8.00
78	119506	Power cord, 90 degree molded	089-5787-04	\$23.00
79	Consult	Sticker M	044-8464-00	\$4.00
80	151522	Decal, capacity statement, operator, 30 lb	089-5064-05	\$6.00
	179438	Decal, capacity statement, operator, 60 lb	089-7994-06	\$6.00
81	130817	Decal, capacity statement, customer, 30 lb	089-5063-01	\$6.00
	Consult	Decal, capacity statement, customer, 60 lb	089-7995-00	Consult
83	167053	Harness C2, thermal head	089-5632-10	\$37.00
84	130237	Harness C3, sensors, includes label gap sensor	089-6665-07	\$41.00
85	156658	Cover printer	089-6482-02	\$5.00
86	170497	Magnet	089-6486-07	\$4.00
—	180762	Screw, M3x4 mm tapping	400-000-2424-00	\$2.00
87	170498	Sticker label setting	089-6840-02	\$2.00
88	170499	Bracket label peel	089-6892-06	\$67.00
89	80990	Plate A cover	089-4042-00	\$5.00
90	119165	LCD display/touchscreen assembly, operator	089-6678-05	\$325.00
999	167774	In use key cover		\$6.00
999	224535	Complete operator keyboard/display assembly	000-089-6839-08	\$811.00



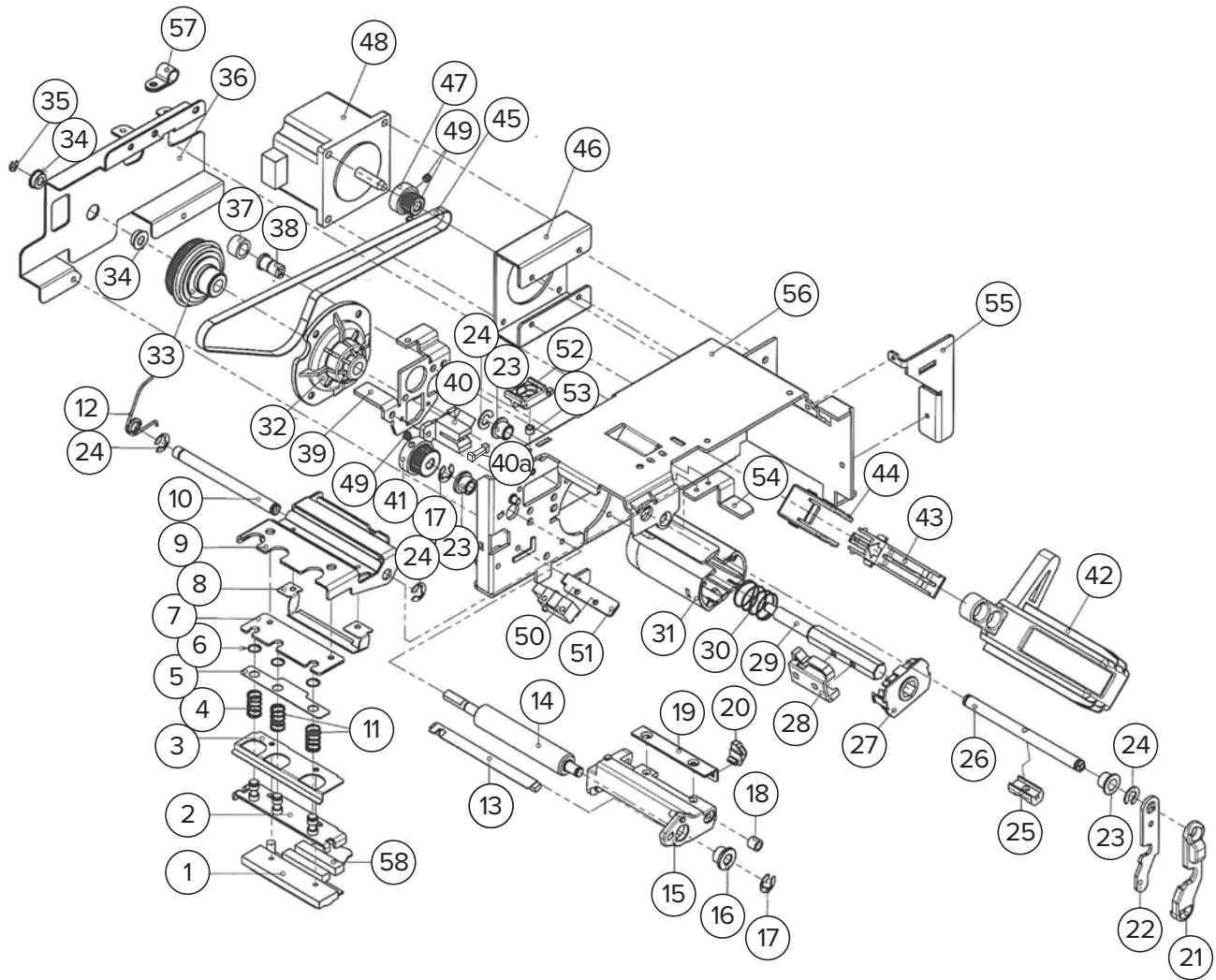
# Uni-5

Bench, Printer



## Part Number/Price

Ref #	Part #	Description	Synonym	Price
1	<b>119169</b>	Thermal head, CHX56-8359, 1100 ohm	089-5669-08	\$252.00
—	<b>48784</b>	Screw, M3x6 with flange (mounting screw)	000-010-0725-06	\$2.00
2	<b>181065</b>	Bracket head	089-6468-00	\$13.00
3	<b>181066</b>	Cover head	089-6474-02	\$13.00
4	<b>163393</b>	Spring coil compression	089-5541-05	\$3.00
5	<b>163394</b>	Plate A spring support	089-5521-01	\$3.00
6	<b>163396</b>	Snap ring, 6 mm, black oxide	089-5836-03	\$2.00
7	<b>163398</b>	Stay head	089-5519-02	\$9.00
8	<b>168929</b>	Guide label	089-6746-19	\$12.00
9	<b>184978</b>	Bracket printer	089-6465-09	\$28.00
10	<b>Consult</b>	Shaft head	089-6467-06	\$6.00
11	<b>163392</b>	Spring coil compression	089-5542-09	\$3.00
12	<b>175433</b>	Spring head	089-6473-09	\$2.00
13	<b>151526</b>	Plate assembly peel shaft	089-6463-01	\$6.00
14	<b>130236</b>	Roller printer	089-6461-04	\$17.00
15	<b>177218</b>	Table label	089-6458-02	\$25.00
16	<b>131419</b>	Bush	089-5597-12	\$3.00
17	<b>46984</b>	E ring, 4 mm shaft, stainless steel	000-0288-06	\$2.00
18	<b>188847</b>	Collar	089-6464-05	\$4.00
19	<b>Consult</b>	L plate B guide label	089-6459-06	\$4.00
20	<b>163382</b>	Label guide plastic black or orange clip	089-6460-01	\$4.00
21	<b>167493</b>	Lever handle	089-6471-01	\$3.00
22	<b>Consult</b>	Plate B lever	089-6470-08	\$4.00
23	<b>172962</b>	Bush lever	089-6475-06	\$3.00
24	<b>46977</b>	E-Clip, ring M6 stainless steel	000-0290-04	\$2.00
25	<b>190584</b>	Block B lever	089-6472-05	\$6.00
26	<b>Consult</b>	Shaft lever	089-6469-03	\$7.00
27	<b>167494</b>	Cover roll	089-5551-02	\$2.00
28	<b>162102</b>	Stopper holder label	089-5554-03	\$2.00
29	<b>168500</b>	Shaft step bobbin	089-6455-01	\$14.00
30	<b>162103</b>	Spring coil compression	089-5560-06	\$4.00
31	<b>162104</b>	Bobbin roll	089-5550-09	\$4.00
32	<b>167495</b>	Housing torque limiter	089-6457-09	\$2.00
33	<b>159513</b>	Torque limiter	089-6456-05	\$85.00
34	<b>160705</b>	Bush	089-5129-03	\$2.00
35	<b>46986</b>	E-ring, 3 mm M3	000-0287-02	\$2.00
36	<b>Consult</b>	Cover timing belt	089-6481-09	\$27.00
37	<b>181100</b>	Roller support cassette	089-5537-00	\$2.00
38	<b>Consult</b>	Pin support belt	089-6479-01	\$4.00
39	<b>Consult</b>	Bracket limit	089-6484-00	\$6.00
40	<b>130237</b>	Sensor, label gap, includes harness C3	089-6665-07	\$41.00
40a	<b>174802</b>	Spacer block, label guide, left, white	400-000-0540-00	\$17.00
41	<b>179448</b>	Gear roller	089-6462-08	\$9.00
42	<b>177551</b>	Holder label	089-6666-01	\$5.00
43	<b>66376</b>	Lever guide label	089-2858-04	\$4.00
44	<b>66378</b>	Holder guide label	089-2830-01	\$4.00
45	<b>160706</b>	Timing belt	089-6477-03	\$19.00
46	<b>Consult</b>	Bracket motor	089-5529-00	\$19.00
47	<b>179449</b>	Gear motor	089-6478-07	\$10.00
48	<b>119168</b>	Stepping motor	089-5513-01	\$169.00
49	<b>84062</b>	Set screw M4x6 double point	000-0470-08	\$2.00
50	<b>80953</b>	Photo reflector, peel sensor	089-3444-00	\$51.00
—	<b>119831</b>	Screw, M3x16, sensor mount		\$2.00
51	<b>80952</b>	Bracket sensor	089-3910-18	\$7.00
52	<b>Consult</b>	Block B lock	089-6483-06	\$1.00
53	<b>Consult</b>	Collar	089-6485-03	\$3.00
54	<b>Consult</b>	Bracket magnet	089-6488-04	\$3.00
55	<b>Consult</b>	Cover printer frame	089-6487-01	\$5.00
56	<b>163383</b>	Frame printer	089-6480-05	\$78.00
57	<b>Consult</b>	Cable clamps	089-5731-06	\$1.00
58	<b>167053</b>	Harness C2, thermal head	089-5632-10	\$37.00



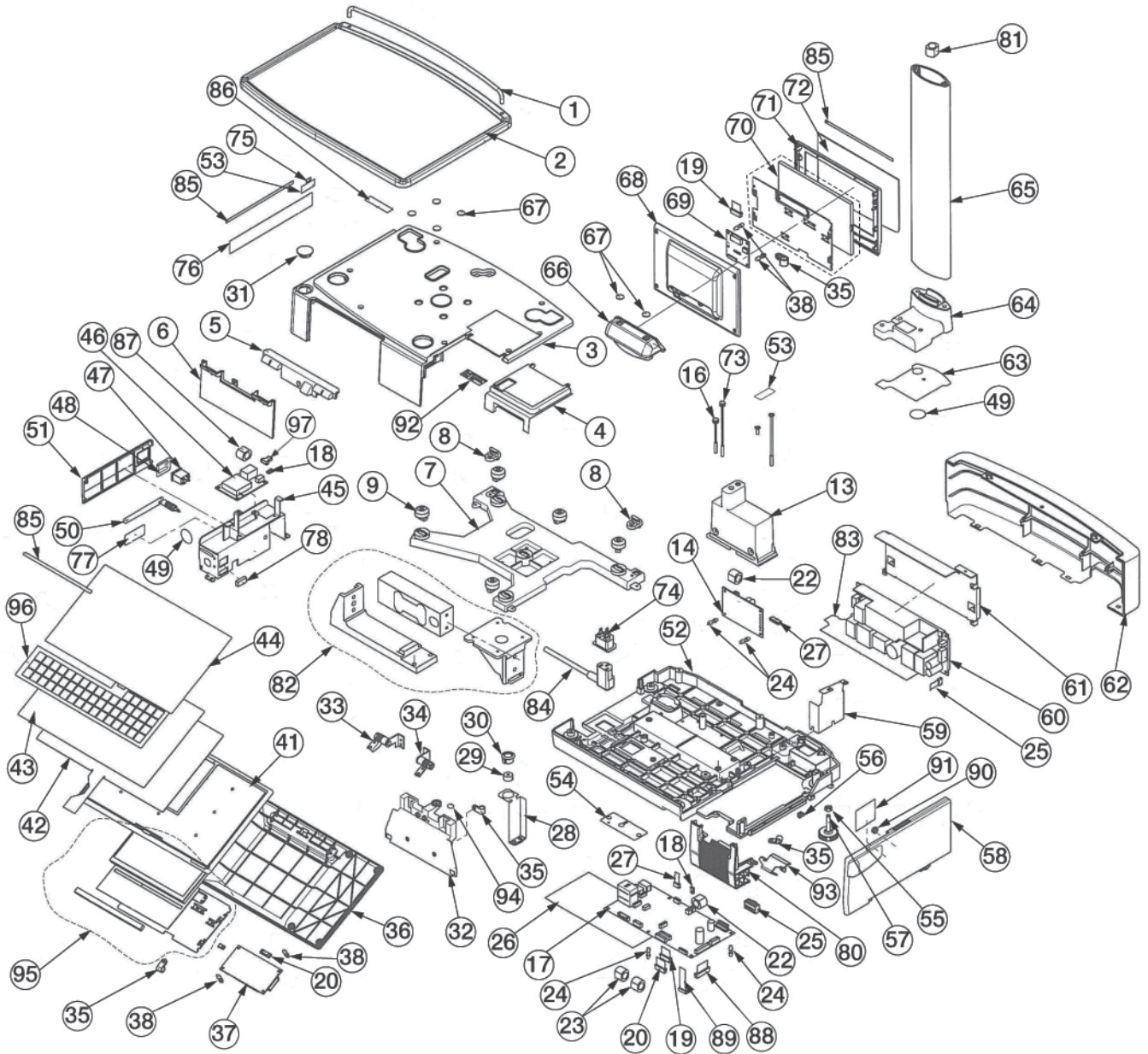
Printing Scales

# Uni-5 Pole



## Part Number/Price

Ref #	Part #	Description	Synonym	Price
1	129419	Guide plate, backstop	089-4984-08	\$38.00
—	50157	Screws for backstop PN 129419 M4-0.7x10 pan head w/lock washer SST	089-4984-08	\$3.00
2	129418	Platter, 30 lb	089-4960-18	\$211.00
—	158515	Platter, 60 lb	089-7833-00	\$102.00
3	193142	Case main upper	089-5753-08	\$66.00
—	—	Machine screw, countersink, M4x10, 5 pc	400-000-2535-00	Consult
—	—	Tapping screw, countersink, M4x10, 3 pc	400-000-5390-00	Consult
—	—	Machine screw, washer head, M4x15, 1 pc	400-000-2536-00	Consult
4	158073	Cover printer upper	089-5757-02	\$5.00
5	158074	Cover hinge upper	089-5758-06	\$4.00
—	185489	Screw, countersink, M3x16		\$1.00
6	158075	Cover hinge lower	089-5759-00	\$6.00
7	Consult	Platter support	089-4959-04	\$52.00
8	119505	Block B hinge platter	089-4964-12	\$2.00
9	168713	Rubber platter support, 30 lb	089-4963-00	\$4.00
—	193397	Rubber platter support, 60 lb	089-6548-04	\$79.00
13	Consult	Case A/D board	089-4996-02	\$20.00
14	119145	PWB P-999B, A/D board	089-5825-11	\$243.00
16	126464	Screw seal hex	089-5835-00	\$6.00
17	130235	PWB PK-270C, main CPU	089-6858-09	\$1,329.00
18	163384	Harness S2 5V power	089-5636-05	\$6.00
19	156608	Harness S2, customer display (pole)	089-5645-18	\$112.00
20	163775	Harness S2, operator LCD display/keyboard	089-5630-12	\$93.00
22	Consult	Ferrite core	089-6532-05	\$11.00
23	Consult	Ferrite core	089-6532-05	\$11.00
24	41734	Accessory PWB guide space	000-1795-01	\$2.00
25	190576	Harness S2 24V DC power	089-5634-08	\$12.00
26	187656	Sheet insulation	089-5727-01	\$6.00
27	Consult	Harness C2 A/D	089-5627-01	\$11.00
28	Consult	Bracket level	089-4968-08	\$6.00
29	44425	Level unit	900-5727-05	\$50.00
30	44455	Frame level	089-0930-02	\$2.00
31	42857	Level lens	089-1219-01	\$4.00
32	168773	Bracket torque hinge	089-4967-04	\$34.00
33	156446	Hinge, left	089-5505-01	\$29.00
34	156447	Hinge, right	089-5506-04	\$29.00
—	45519	M3x8 tapping screw	000-0353-05	\$2.00
—	178863	Keyboard support hinge kit (4 screws, 2 plates)		\$22.00
—	120646	Bolt, M3x6 mm phillips hex head with washers zinc	078-0612-01	\$2.00
35	132394	Ground clamp	089-5810-07	\$3.00
36	152664	Case rear control	089-6412-01	\$40.00
—	179568	Washer screw, self-tapping, M3x8	400-000-0487-00	\$3.00
37	119154	PWB PK-261A, keyboard/display controller	089-5614-03	\$333.00
38	132395	Accessory PCB support	116-6895-05	\$2.00
41	152663	Case front control	089-6421-05	\$50.00
42	119155	Keyboard membrane	089-5682-16	\$65.00
43	119156	Sheet keyboard programming	089-4946-06	\$25.00
44	151525	Cover keyboard, transparent overlay	089-6795-08	\$50.00
45	Consult	Bracket connector assembly	089-6884-06	\$38.00
—	132395	Support, PCB	116-6895-05	\$2.00
—	48784	Screw, M3x6 w/flange (mounting screw)	010-0725-06	\$2.00
47	161916	Harness C4 switch assembly	089-5638-11	\$11.00
48	130811	Cover switch	089-5591-01	\$11.00
49	Consult	Sticker seal	075-1264-01	\$4.00
50	119159	Antenna, WiFi, black, for WiPort	089-5639-06	\$89.00
51	Consult	Cover bracket connector	089-5755-05	\$3.00
52	Consult	Base	089-5814-20	\$118.00



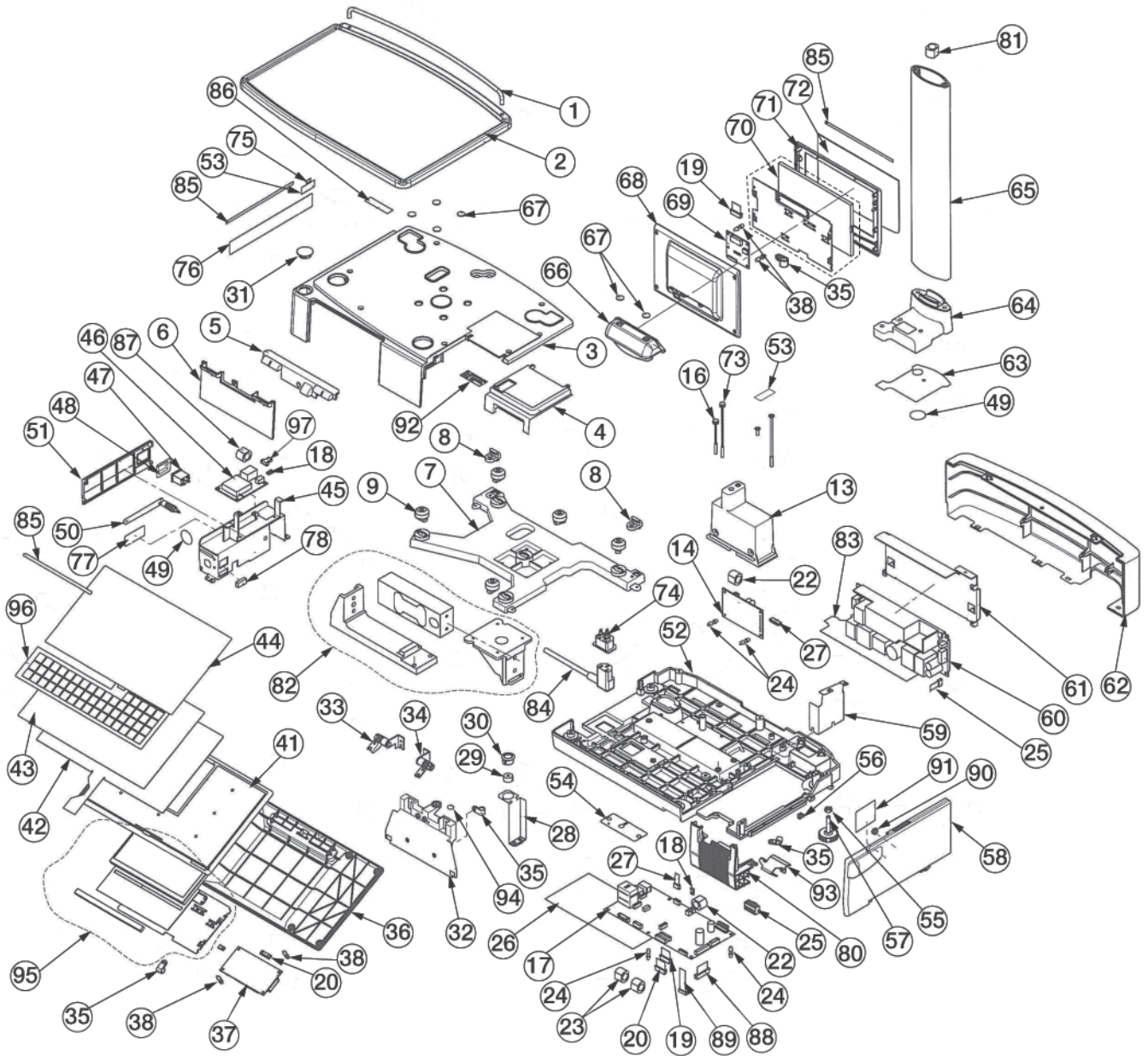
Printing Scales

# Uni-5 Pole



## Part Number/Price

Ref #	Part #	Description	Synonym	Price
53	126461	Sticker void	089-4988-02	\$6.00
54	159797	Plate B RS-232C	089-5516-01	\$4.00
55	125462	Nut, hex M6 SST	089-5516-01	\$3.00
56	158076	Block B hinge side cover	089-5761-08	\$2.00
57	130813	Foot adjust	089-5083-06	\$4.00
58	158077	Cover side	089-5756-18	\$14.00
59	Consult	Cover harness	089-4987-09	\$4.00
60	119160	Power supply	079-1225-04	\$248.00
61	Consult	Bracket power	089-4995-09	\$23.00
62	184731	Case rear pole	089-6406-18	\$43.00
63	175669	Plate B bracket pole	089-4954-15	\$10.00
64	175671	Bracket pole stand	089-6590-01	\$32.00
65	175672	Pole stand	089-6259-35	\$90.00
66	175673	Case link pole	089-6415-02	\$21.00
67	174042	Cap	089-4983-04	\$2.00
68	175674	Case rear pole display	089-6414-09	\$8.00
69	119161	PWB PK-263A, customer display board	089-5615-07	\$78.00
70	119162	LCD, customer display	089-5623-16	\$212.00
71	175675	Case front pole display	089-6413-05	\$5.00
72	160484	Sheet display panel	089-6787-08	\$13.00
73	126463	Screw seal hex head long	089-5834-06	\$6.00
74	203992	Harness C2 power assembly	089-5633-04	\$4.00
75	Consult	Sticker M	044-8464-00	\$4.00
77	Consult	Sticker location output	089-6784-07	\$1.00
78	Consult	Gasket 20 mm	089-5728-04	\$1.00
80	156658	Cover cassette	089-6482-02	\$5.00
81	175676	Ferrite core	089-6531-01	\$16.00
82	119164	Load cell assembly, 30 lb	089-6149-01	\$255.00
	158516	Load cell assembly, 60 lb	089-6924-01	\$255.00
83	Consult	Sheet insulation power supply	089-6353-14	\$8.00
84	119506	Power cord, 90 degree molded	089-5787-04	\$23.00
85	151522	Decal, capacity statement, 30 lb	089-5064-05	\$6.00
	Consult	Decal, capacity statement, 60 lb	089-7994-06	Consult
87	Consult	Ferrite core	089-6889-04	\$14.00
88	167053	Harness C2, thermal head	089-5632-10	\$37.00
89	130237	Harness C3, sensors, includes label gap sensor	089-6665-07	\$41.00
90	170497	Magnet	089-6486-07	\$4.00
—	180762	Screw, M3x4 mm tapping	400-000-2424-00	\$2.00
91	170498	Sticker label threading	089-6840-02	\$2.00
92	Consult	Sticker important	089-6857-05	\$1.00
93	170499	Bracket label peel	089-6892-06	\$67.00
94	80990	Plate A cover	089-4042-00	\$5.00
95	119165	LCD display/touchscreen assembly, operator	089-6678-05	\$325.00
96	130815	Sheet keyboard - operation insert	089-5508-11	\$16.00
97	130816	Harness S2 LAN	089-5637-09	\$16.00
999	167774	In use key cover		\$6.00
999	160471	Complete operator keyboard/display assembly	000-089-6839-08	\$649.00
999	224535	RF Wireless card, 5 GHZ & 2.4 GHZ, SX-590	000-089-7989-07	\$811.00



Printing Scales

# Uni-5

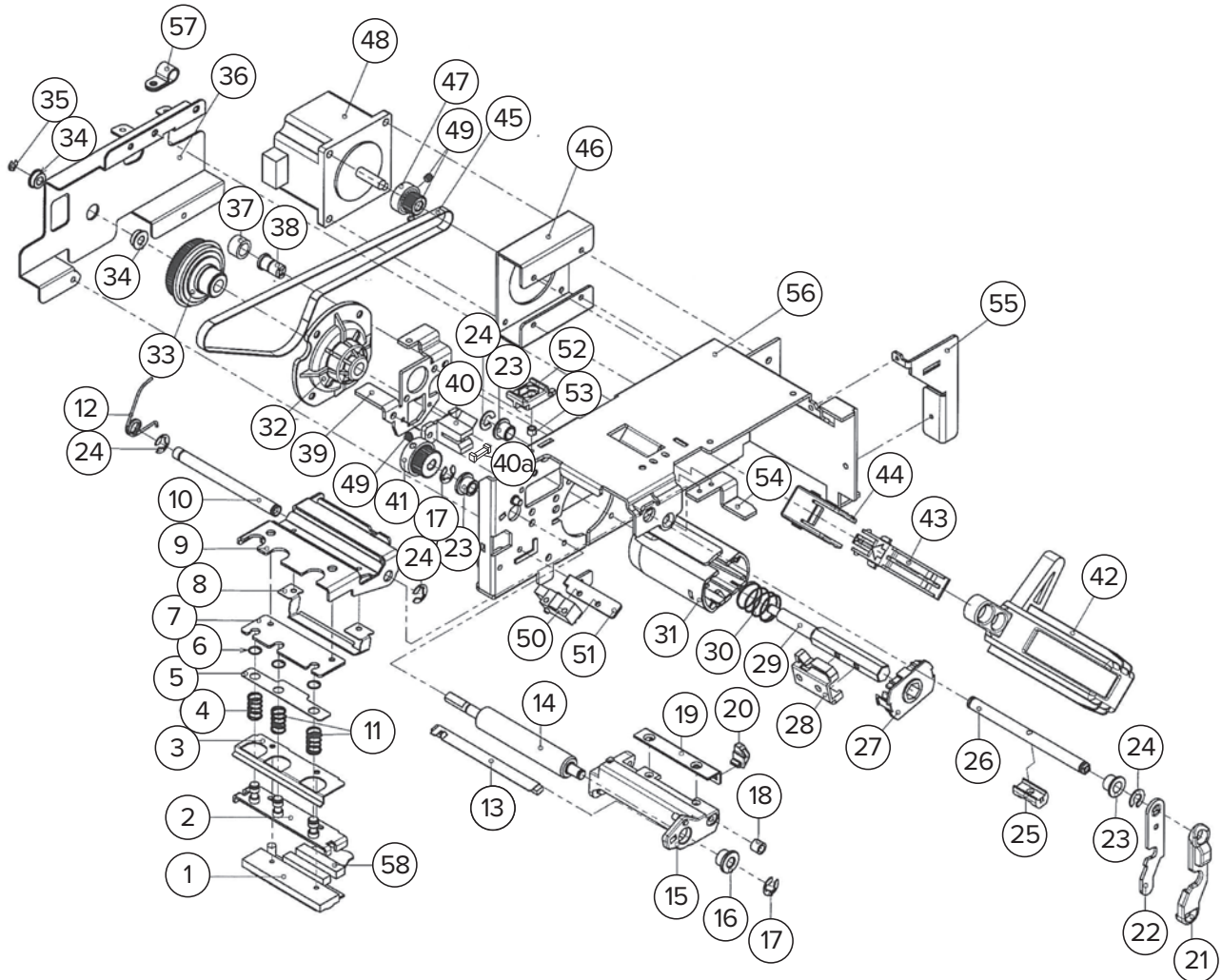
Pole, Printer



## Part Number/Price

Ref #	Part #	Description	Synonym	Price
1	<b>119169</b>	Thermal head, CHX56-8359, 1100 ohm	089-5669-08	\$252.00
—	<b>48784</b>	Screw, M3x6 w/flange (mounting screw)	000-010-0725-06	\$2.00
2	<b>181065</b>	Bracket head	089-6468-00	\$13.00
3	<b>181066</b>	Cover head	089-6474-02	\$13.00
4	<b>163393</b>	Spring coil compression	089-5541-05	\$3.00
5	<b>163394</b>	Plate A spring support	089-5521-01	\$3.00
6	<b>163396</b>	Snap ring, 6 mm, black oxide	089-5836-03	\$2.00
7	<b>163398</b>	Stay head	089-5519-02	\$9.00
8	<b>168929</b>	Guide label, bent SST with holes	089-6460-01	\$12.00
9	<b>184978</b>	Bracket printer	089-6465-09	\$28.00
10	<b>Consult</b>	Shaft head	089-6467-06	\$6.00
11	<b>163392</b>	Spring coil compression	089-5542-09	\$3.00
12	<b>175433</b>	Spring head	089-6473-09	\$2.00
13	<b>151526</b>	Plate assembly peel shaft	089-6463-01	\$6.00
14	<b>130236</b>	Roller printer	089-6461-04	\$17.00
15	<b>177218</b>	Table label	089-6458-02	\$25.00
16	<b>131419</b>	Bushing print roller	089-5597-12	\$3.00
17	<b>46984</b>	E ring, 4 mm shaft, stainless steel	000-0288-06	\$2.00
18	<b>188847</b>	Collar	089-6464-05	\$4.00
19	<b>Consult</b>	L plate B guide label	089-6459-06	\$4.00
20	<b>163382</b>	Label guide plastic black or orange clip	089-6476-00	\$4.00
21	<b>167493</b>	Lever handle	089-6471-01	\$3.00
22	<b>Consult</b>	Plate B lever	089-6470-08	\$4.00
23	<b>172962</b>	Bush lever	089-6475-06	\$3.00
24	<b>46977</b>	E-Clip, ring M6 stainless steel	000-0290-04	\$2.00
25	<b>190584</b>	Block B lever	089-6472-05	\$6.00
26	<b>Consult</b>	Shaft lever	089-6469-03	\$7.00
27	<b>167494</b>	Cover roll	089-5551-02	\$2.00
28	<b>162102</b>	Stopper holder label	089-5554-03	\$2.00
29	<b>168500</b>	Shaft step bobbin	089-6455-01	\$14.00
30	<b>162103</b>	Spring coil compression	089-5560-06	\$4.00
31	<b>162104</b>	Bobbin roll	089-5550-09	\$4.00
32	<b>167495</b>	Housing torque limiter	089-6457-09	\$2.00
33	<b>159513</b>	Torque limiter	089-6456-05	\$85.00
34	<b>160705</b>	Bush	089-5129-03	\$2.00
35	<b>46986</b>	E-ring, 3 mm 3M	000-0287-02	\$2.00
36	<b>Consult</b>	Cover timing belt	089-6481-09	\$27.00
37	<b>181100</b>	Roller support cassette	089-5537-00	\$2.00
38	<b>Consult</b>	Pin support belt	089-6479-01	\$4.00
39	<b>Consult</b>	Bracket limit	089-6484-00	\$6.00
40	<b>130237</b>	Sensor, label gap, includes harness C3	089-6665-07	\$41.00
40a	<b>174802</b>	Spacer block, label guide, left, white	400-000-0540-00	\$17.00
41	<b>179448</b>	Gear roller	089-6462-08	\$9.00
42	<b>177551</b>	Holder label	089-6666-01	\$5.00
43	<b>66376</b>	Lever guide label	089-2858-04	\$4.00
44	<b>66378</b>	Holder guide label	089-2830-01	\$4.00
45	<b>160706</b>	Timing belt	089-6477-03	\$19.00
46	<b>Consult</b>	Bracket motor	089-5529-00	\$19.00
47	<b>179449</b>	Gear motor	089-6478-07	\$10.00
48	<b>119168</b>	Stepping motor	089-5513-01	\$169.00
49	<b>84062</b>	Set screw M4x6 cup point	000-0470-08	\$2.00
50	<b>80953</b>	Photo reflector, peel sensor	089-3444-00	\$51.00
—	<b>119831</b>	Screw, M3x16, sensor mount		\$2.00
51	<b>80952</b>	Bracket sensor	089-3910-18	\$7.00
52	<b>Consult</b>	Block B lock	089-6483-06	\$1.00
53	<b>Consult</b>	Collar	089-6485-03	\$3.00
54	<b>Consult</b>	Bracket magnet	089-6488-04	\$3.00
55	<b>Consult</b>	Cover printer frame	089-6487-01	\$5.00
56	<b>163383</b>	Frame printer	089-6480-05	\$78.00

Ref #	Part #	Description	Synonym	Price
57	Consult	Cable clamps	089-5731-06	\$1.00
58	167053	Harness C2, thermal head	089-5632-10	\$37.00

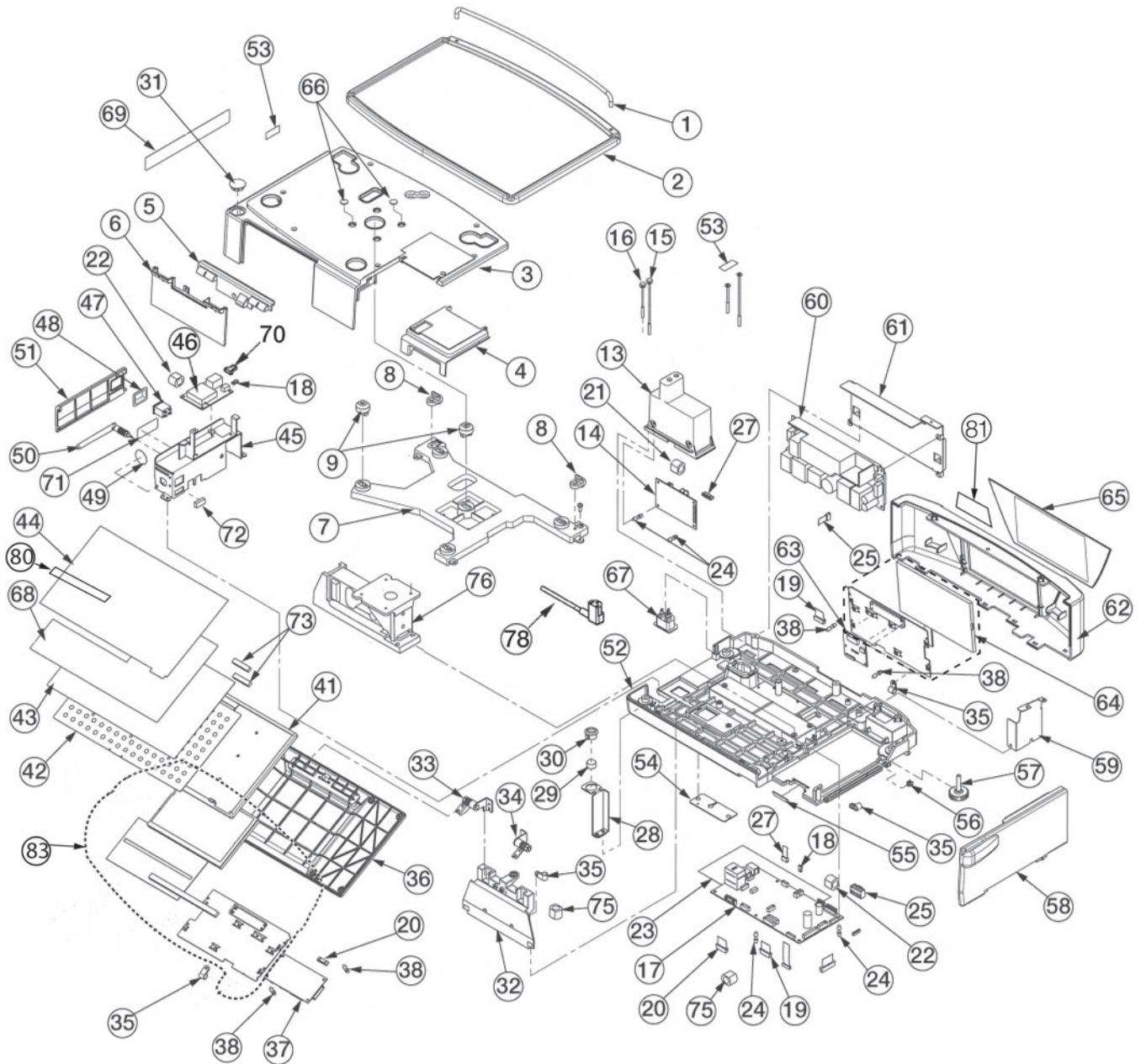


Printing Scales



## Part Number/Price

Ref #	Part #	Description	Synonym	Price
1	129419	Guide platter	089-4984-08	\$38.00
—	50157	Screw, platter guide M4-0.7x10 pan head w/lock washer SST	089-4984-08	\$3.00
2	129418	Platter, 30 lb	089-4960-18	\$211.00
	158515	Platter, 60 lb	089-7833-00	\$102.00
3	179264	Case main upper 30 lb	089-4971-19	\$109.00
	Consult	Case main upper 60 lb	400-000-0401-00	Consult
—	—	Machine screw, countersink, M4x10, 5 pc	400-000-2535-00	Consult
—	—	Tapping screw, countersink, M4x10, 3 pc	400-000-5390-00	Consult
—	—	Machine screw, washer head, M4x15, 1 pc	400-000-2536-00	Consult
4	130062	Cover printer upper	089-4976-17	\$21.00
	181003	Cover printer upper, linerless	089-6634-01	\$103.00
5	171673	Cover hinge upper	089-4991-13	\$16.00
—	185489	Screw, countersink, M3x16		\$1.00
6	171674	Cover hinge lower	089-5515-17	\$23.00
7	Consult	Platter support, spider	089-4959-04	\$52.00
8	119505	Block B hinge platter	089-4964-12	\$2.00
9	168713	Rubber platter support, 30 lb	089-4963-00	\$4.00
	193397	Rubber platter support, 60 lb	089-6548-04	\$79.00
13	Consult	Case A/D board	089-4996-02	\$20.00
14	119145	PWB P-999B A/D board	089-5825-11	\$243.00
15	126463	Screw seal hex long	089-5834-06	\$6.00
16	126464	Screw seal hex short	089-5835-00	\$6.00
17	174108	PWB PK-260B main CPU, SD, 4M	400-000-1774-00	\$1,314.00
18	163384	Harness S2 5V power RF	089-5636-05	\$6.00
19	132393	Harness S2 rear LCD, customer display	089-5631-16	\$84.00
20	163775	Harness S2, operator LCD display/keyboard	089-5630-12	\$93.00
21	Consult	Ferrite core	089-5812-04	\$14.00
	Consult	Ferrite core 60 lb	089-6888-01	Consult
22	Consult	Ferrite core	089-5811-01	\$8.00
	Consult	Ferrite core 60 lb	089-6889-04	Consult
23	187656	Sheet insulation	089-5727-01	\$6.00
24	41734	Accessory PWB guide space	000-1795-01	\$2.00
25	190576	Harness S2 24V DC power	089-5634-08	\$12.00
27	Consult	Harness C2 A/D	089-5627-01	\$11.00
28	Consult	Bracket level	089-4968-08	\$6.00
29	Consult	Level unit	001-6278-08	\$8.00
	44425	Level unit 60 lb	900-5727-05	\$50.00
30	Consult	Frame level	011-2648-07	\$1.00
	Consult	Frame level 60 lb	089-0930-02	Consult
31	42857	Level lens	089-1219-01	\$4.00
32	168773	Bracket torque hinge	089-4967-04	\$34.00
33	156446	Hinge, left	089-5505-01	\$29.00
34	156447	Hinge, right	089-5506-04	\$29.00
—	42849	M3x8, stainless steel, machine screw, hinge to frame		\$2.00
—	179568	M3x8, zinc, tapping screw, fixed washer, hinge to screen	000-0353-05	\$3.00
—	178863	Keyboard support hinge kit (4 screws, 2 plates)		\$22.00
—	120646	Bolt, M3x6 mm phillips hex head w/washers zinc	078-0612-01	\$2.00
35	132394	Ground clamp	089-5810-07	\$3.00
36	152445	Case rear control	089-4945-11	\$90.00
	Consult	Case rear control 60 lb	400-000-0403-00	Consult
—	179568	M3x8, zinc, tapping screw, fixed washer	400-000-0487-00	\$3.00
37	119154	PWB PK-261A keyboard/display controller	089-5614-03	\$333.00
38	132395	Accessory PCB support	116-6895-05	\$2.00
41	152444	Case front control	089-4944-27	\$74.00
	Consult	Case front control 60 lb	400-000-0402-00	Consult
42	119155	Keyboard membrane, contacts only	089-5682-16	\$65.00
43	119156	Sheet keyboard-programming	089-4946-06	\$25.00



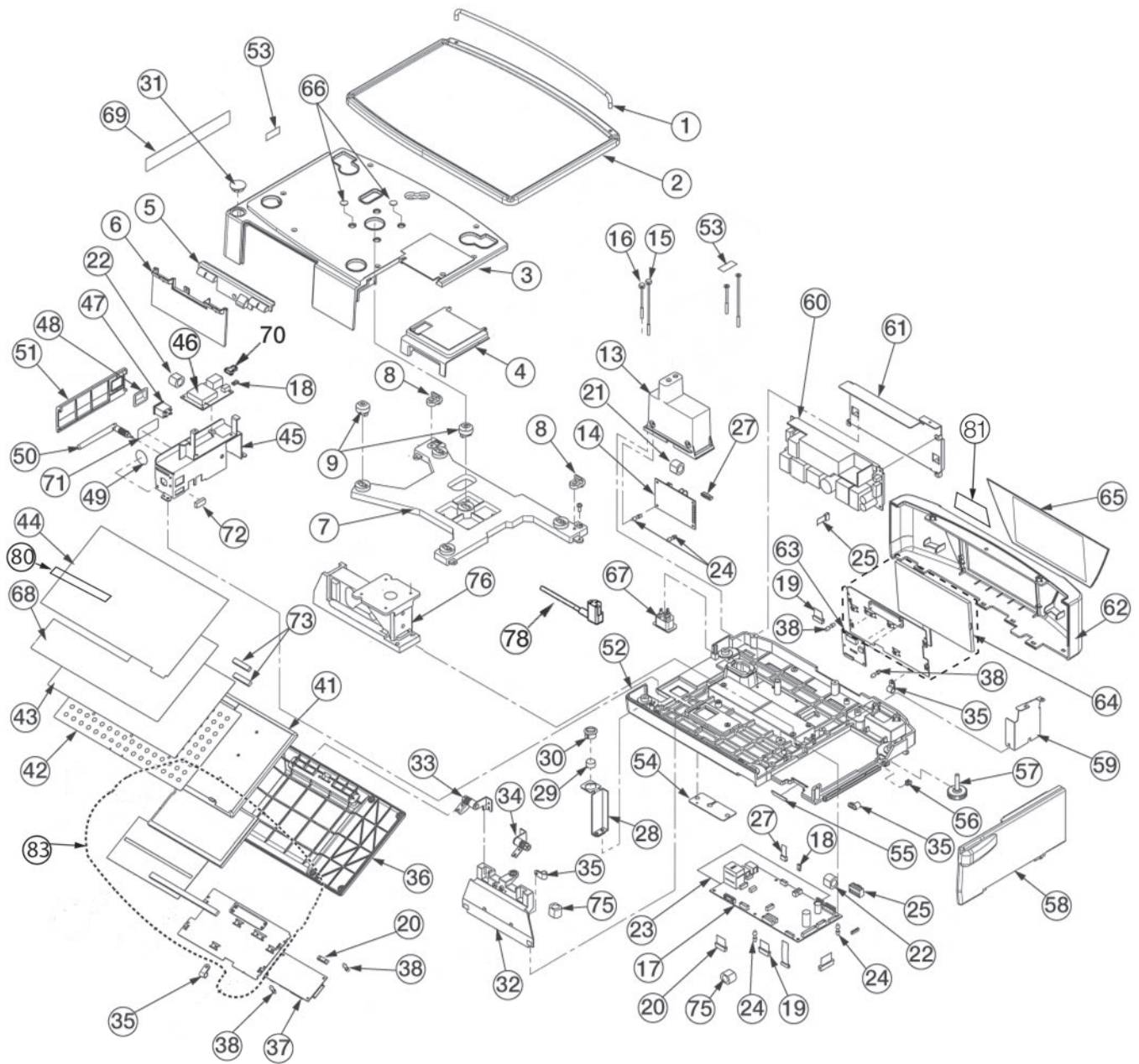
Printing Scales

# Uni-7 Bench



## Part Number/Price

Ref #	Part #	Description	Synonym	Price
44	119157	Cover keyboard transparent overlay	089-4947-37	\$38.00
45	Consult	Bracket connector assembly	089-5504-07	\$52.00
46	215289	RF Wireless card, 5 GHZ & 2.4 GHZ, SX-590	000-089-7989-07	\$643.00
—	132395	Support, PCB	116-6895-05	\$2.00
—	48784	Screw, M3x6 w/flange (mounting screw)	010-0725-06	\$2.00
47	161916	Harness C4 switch assembly	089-5638-11	\$11.00
48	130811	Cover switch	089-5591-01	\$11.00
50	119159	Antenna, black, for WiPort	089-5639-06	\$89.00
51	130812	Cover bracket connector	089-4974-10	\$16.00
52	Consult	Base	089-4957-07	\$126.00
53	126461	Sticker void	089-4988-02	\$6.00
54	159797	Plate B RS-232C	089-5516-01	\$4.00
55	191492	Plate B magnetic	089-4982-01	\$3.00
56	187214	Block B hinge side cover	089-4985-11	\$2.00
57	130813	Foot adjust	089-5083-06	\$4.00
58	158517	Cover side	089-4975-13	\$34.00
59	Consult	Cover harness	089-4987-09	\$4.00
60	119160	Power supply, switching	079-1225-04	\$248.00
61	Consult	Bracket power	089-4995-09	\$23.00
62	188064	Case rear cover	089-4972-12	\$85.00
	Consult	Case rear cover 60 lb	400-000-0404-00	Consult
63	119161	PWB PK-263A, customer display	089-5615-07	\$78.00
64	119162	LCD, customer display board	089-5623-16	\$212.00
65	130814	Case rear panel, overlay	089-4973-07	\$33.00
66	121030	Cap	089-5796-08	\$2.00
67	203992	Harness C2 power assembly	089-5633-04	\$4.00
68	130815	Sheet keyboard operation insert	089-5508-11	\$16.00
69	Consult	Name plate spec	089-5376-16	\$12.00
70	130816	Harness S2 LAN	089-5637-09	\$16.00
71	Consult	Sticker location output	089-5740-19	\$1.00
72	Consult	Gasket 20 mm	089-5728-04	\$1.00
73	119163	Vibrator assembly	089-5734-16	\$13.00
75	132397	Ferrite core	089-5813-08	\$22.00
	175676	Ferrite core 60 lb	089-6531-01	\$16.00
76	119164	Load cell assembly, 30 lb	089-6149-01	\$255.00
	158516	Load cell assembly, 60 lb	089-6924-01	\$255.00
77	Consult	Sheet insulation power supply	089-6353-05	\$8.00
78	119506	Power Cord, 90 degree molded	089-5787-04	\$23.00
80	151522	Decal, capacity statement, operator, 30 lb	089-5064-05	\$6.00
	158625	Decal, capacity statement, operator, oz	089-8526-00	\$14.00
	179438	Decal, capacity statement, operator, 60 lb	089-7994-07	\$6.00
81	130817	Decal, capacity statement, customer, 30 lb	089-5063-01	\$6.00
	158626	Decal, capacity statement, customer, oz	089-8528-07	\$28.00
	Consult	Decal, capacity statement, customer, 60 lb		\$5.00
83	119165	LCD display/touchscreen assembly, operator	089-6678-05	\$325.00
84	80990	Plate A cover	089-4042-00	\$5.00
999	167774	In use key cover		\$6.00
999	224531	Complete operator keyboard/display assembly	089-8147-01	\$826.00



Printing Scales

# Uni-7

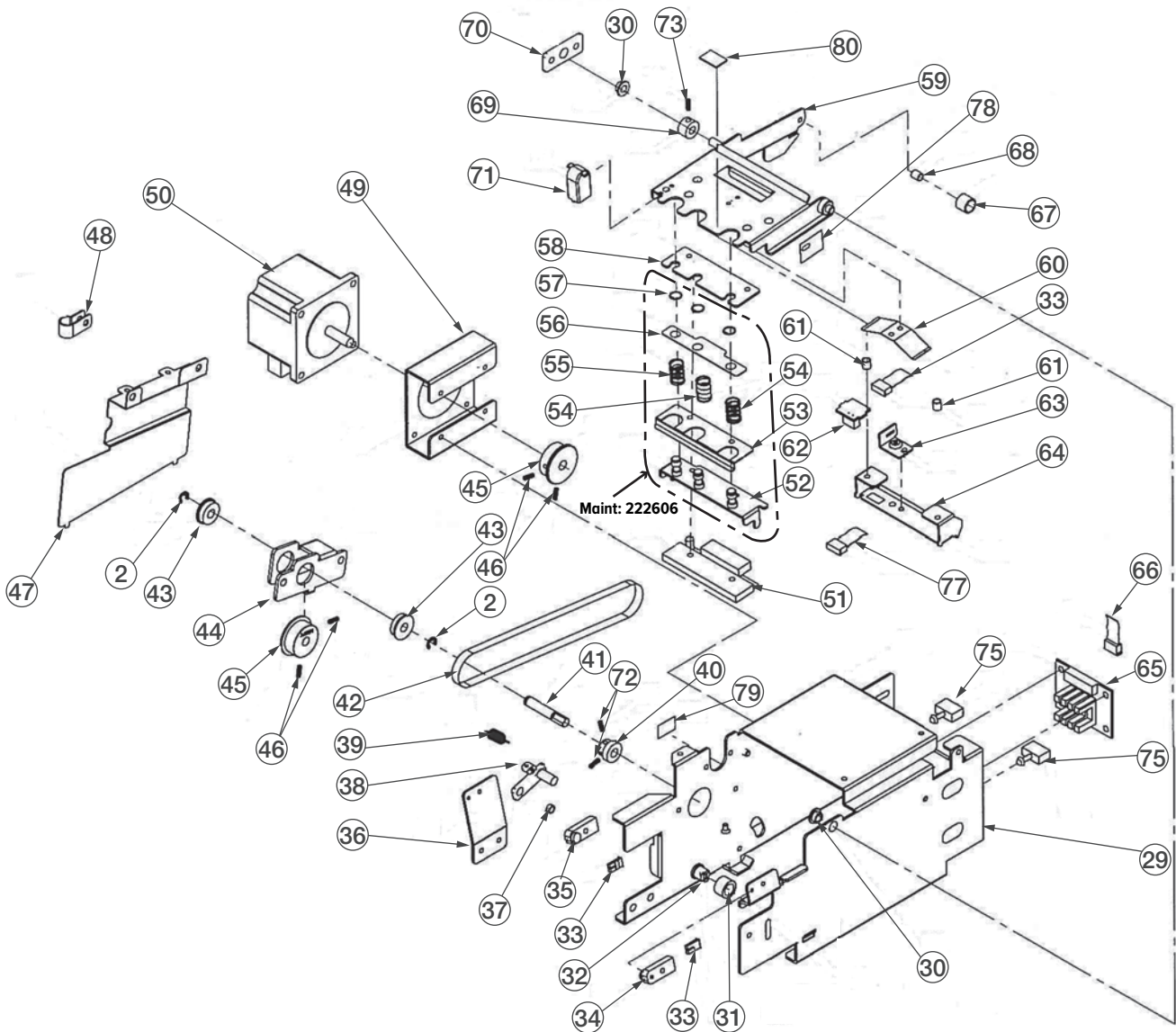
Bench, Printer



## Part Number/Price

Ref #	Part #	Description	Synonym	Price
2	46986	E-ring, 3 mm M3	000-0287-02	\$2.00
29	210855	Frame printer	089-5517-14	\$84.00
30	180542	Bush	031-9081-00	\$3.00
31	181100	Roller support cassette	089-5537-00	\$2.00
32	158806	Pin support cassette	089-5536-06	\$9.00
—	Consult	Screw, pan head washer, M4x8, chromate		Consult
33	193673	Harness C4 sensor, white conn, use with sensors p/n 193674, 193675	400-000-1803-00	\$15.00
34	87535	Peel sensor; receiver, black, right	066-4500-09	\$12.00
	193674	Peel sensor; receiver, black, right, from s/n 100237828	400-000-1761-00	\$12.00
35	87534	Peel sensor; transmitter, grey, left	064-5587-01	\$12.00
	193675	Peel sensor; transmitter, grey/white, left, from s/n 100237828	400-000-1762-00	\$15.00
—	195858	Peel sensor harness C2, left-side bypass, old-style orange connector	400-000-3770-00	Consult
—	195857	Peel sensor harness C2, left-side bypass, new-style white connector, from s/n 100237828	400-000-3769-00	Consult
36	Consult	Bracket sensor left	089-5531-08	\$4.00
37	181101	Collar spacer	089-5038-08	\$2.00
38	180554	Lever lock head	089-5539-07	\$8.00
39	181102	Spring coil tension	089-5540-01	\$5.00
40	167388	Gear flat	089-5523-08	\$9.00
41	167389	Shaft pulley	089-5530-04	\$9.00
42	158518	Timing belt pulley S2M	118-7567-01	\$8.00
43	181103	Bearing large circle	089-5668-04	\$25.00
44	Consult	Holder pulley	089-5528-06	\$7.00
45	186908	Timing pulley S2M	089-5524-01	\$11.00
46	206368	Screw, set M3x3		\$2.00
47	Consult	Cover timing belt	089-5535-02	\$9.00
48	Consult	Cable clamp	089-5731-06	\$1.00
49	Consult	Bracket motor	089-5529-00	\$19.00
50	119168	Stepping motor	089-5513-01	\$169.00
51	119169	Thermal head, CHX56-8359, 1100 ohm	089-5669-08	\$252.00
—	48784	Screw, M3x6 w/flange (mounting screw)	000-010-0725-06	\$2.00
52	161974	Bracket head	089-5520-16	\$30.00
53	163391	Cover head	089-5534-09	\$4.00
	180998	Cutter, label, linerless	089-5078-07	\$90.00
—	180999	L Plate, B push cutter, linerless	089-6633-08	\$86.00
54	163392	Spring coil	089-5542-09	\$3.00
55	163393	Spring coil	089-5541-05	\$3.00
56	163394	Plate A spring support	089-5521-01	\$3.00
57	163396	Snap ring, 6 mm, black oxide	089-5836-03	\$2.00
58	163398	Stay head	089-5519-02	\$9.00
—	42728	Screw, M4x6 w/flange (mounting screw)	000-000-0436-01	\$2.00
59	156853	Bracket printer	089-5518-09	\$66.00
60	180543	Spring plate	089-5533-05	\$3.00
61	165618	Collar spacer	089-5036-01	\$2.00
—	Consult	Screw, M4x10 w/flange (mounting screw)		Consult
62	87533	Sensor, label gap, receiver without harness	105-5249-09	\$43.00
	181148	Sensor, Label Gap, Transmitter with C2 Harness (sold separately)		\$12.00
63	168935	Holder label sensor	089-5532-01	\$12.00
—	108495	Screw, M3x8 mm, phillips counter sink stainless steel		Consult
64	168936	Bracket label sensor	089-5522-04	\$6.00
65	87532	Sensor, cassette number	064-5586-08	\$46.00
66	199214	Harness C2 cassette	089-5628-05	\$12.00
67	195128	Stopper	000-9327-01	\$4.00
68	180544	Collar spacer	089-5037-04	\$2.00
69	180545	Collar	089-5527-02	\$8.00
70	Consult	Plate A	089-5526-09	\$2.00

Ref #	Part #	Description	Synonym	Price
71	159888	Block B support	089-5538-03	\$3.00
72	50160	Screw, set M3x6	002-1942-07	Consult
73	84066	Set screw, hex socket, w-point, M4-0.7x4 stainless steel	000-0469-03	\$2.00
75	Consult	Support	089-5729-08	\$1.00
77	167053	Harness C2, thermal head	089-5632-10	\$37.00
78	187229	Plate A	089-5919-00	\$3.00
79	Consult	Mount base	089-5732-00	\$1.00
80	Consult	Sheet cushion		\$5.00
Maint	222606	Bracket head assembly (includes 52, 53, 54, 55, 56, 57)	400-000-4516-00	\$125.00



Printing Scales

# Uni-7

Bench and Pole, Label Cassette



Uni-7 Bench



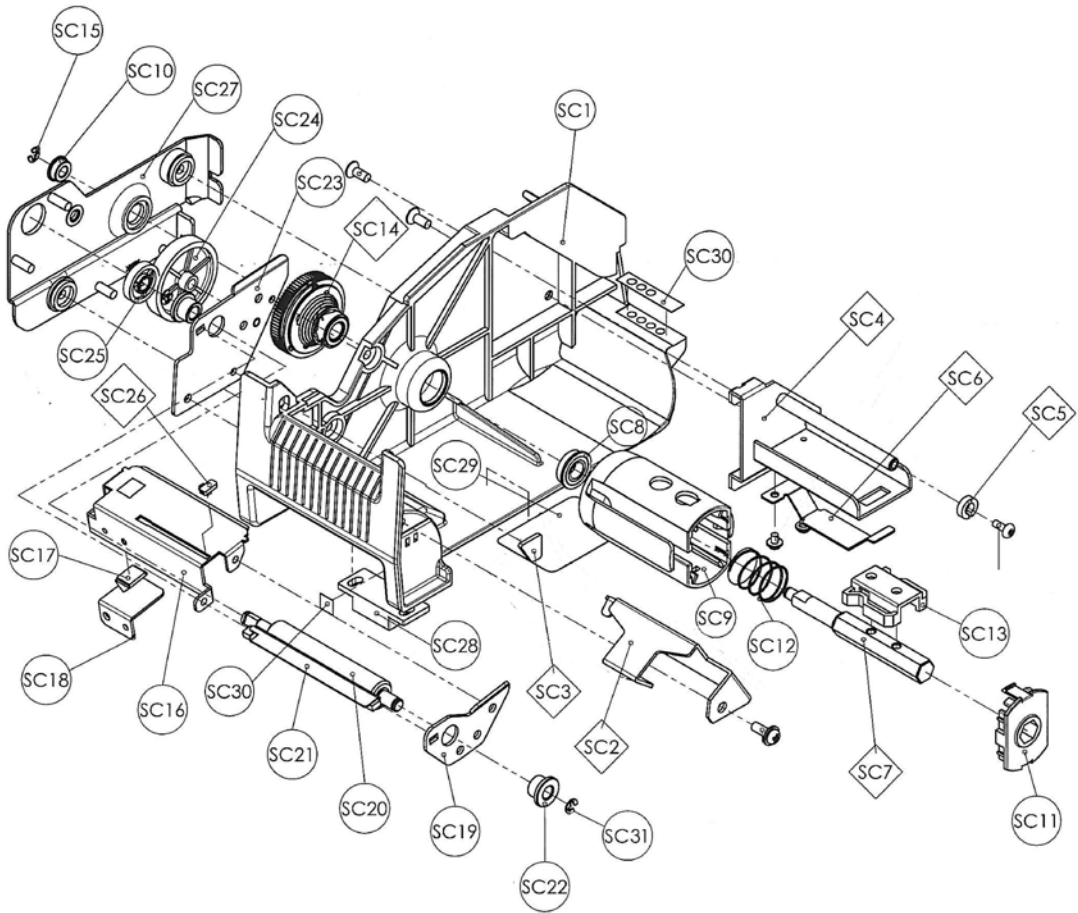
Uni-7 Pole

## Part Number/Price

Ref #	Part #	Description	Synonym	Price
ASSY	<b>110996</b>	Label cassette, complete assembly	089-5215-01	\$242.00
ASSY	<b>153320</b>	Label Cassette, complete assy, linerless	000-089-6630-07	\$506.00
SC1	<b>169005</b>	Frame cassette	089-5543-21	\$40.00
SC2	<b>131411</b>	Bracket label peel	089-6788-01	\$154.00
SC3	<b>131413</b>	Plate A, adhesive	089-6790-00	\$10.00
SC4	<b>170795</b>	Holder as label roll	089-6783-03	\$87.00
SC5	<b>173893</b>	Guide label	089-5080-05	\$4.00
—	<b>41732</b>	Screw, M4x6, pan head Phillips	00-0237-06	\$2.00
SC6	<b>180555</b>	Lever label guide	089-6782-00	\$51.00
SC7	<b>Consult</b>	Shaft step bobbin	089-6791-03	\$19.00
SC8	<b>Consult</b>	Bearing large circle	089-5666-07	\$21.00
SC9	<b>162104</b>	Bobbin roll	089-5550-09	\$4.00
SC10	<b>93342</b>	Bush	064-0058-19	\$4.00
SC11	<b>167494</b>	Cover roll	089-5551-02	\$2.00
SC12	<b>162103</b>	Spring coil compression	089-5560-06	\$4.00
SC13	<b>162102</b>	Stopper holder label	089-5554-03	\$2.00
SC14	<b>165181</b>	Torque limiter assembly	089-6591-05	\$38.00
SC15	<b>46986</b>	E-ring, 3 mm M3	000-0287-02	\$2.00
SC16	<b>196395</b>	Guide, label table	089-5557-04	\$20.00
	<b>181002</b>	Guide, label table, linerless	089-6637-02	\$129.00
SC17	<b>131415</b>	Block B prism	089-5556-01	\$2.00
SC18	<b>131416</b>	Bracket prism	089-5561-00	\$4.00
SC19	<b>180556</b>	Frame right	089-5546-03	\$9.00
SC20	<b>119171</b>	Roller printer	089-5544-15	\$23.00
	<b>181000</b>	Roller, print roller, linerless	089-6636-18	\$62.00
SC21	<b>172963</b>	Peel shaft assy	089-5548-01	\$22.00
	<b>181001</b>	Peel shaft assy, label, linerless	089-6685-01	\$202.00
SC22	<b>131419</b>	Bush	089-5597-12	\$3.00
SC23	<b>Consult</b>	Frame left	089-5545-19	\$14.00
SC24	<b>119507</b>	Gear flat large	089-5547-07	\$2.00
SC25	<b>93341</b>	Gear flat small	063-8269-29	\$4.00
SC26	<b>119508</b>	Guide label	089-5558-26	\$2.00
SC27	<b>204560</b>	Cover gear	089-5552-06	\$4.00
SC28	<b>131421</b>	Catch magnetic	117-9647-06	\$6.00
SC29	<b>Consult</b>	Sticker label setting	089-5564-01	\$1.00
SC30	<b>126462</b>	Sticker, cassette number	089-5563-07	\$5.00

# Uni-7

Bench and Pole, Label Cassette



Printing Scales

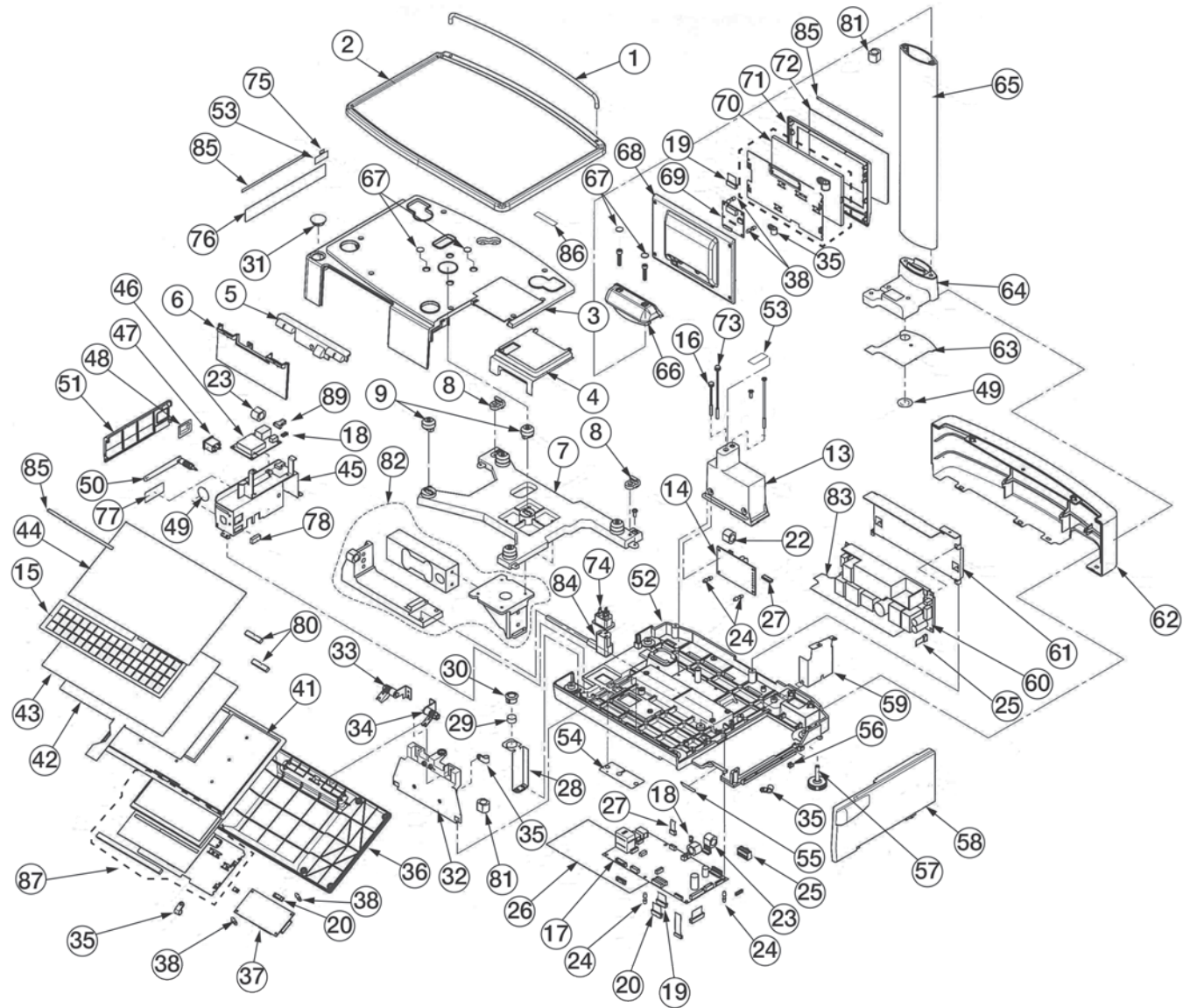
# Uni-7

Pole, Scale



## Part Number/Price

Ref #	Part #	Description	Synonym	Price
1	129419	Guide platter	089-4984-08	\$38.00
—	50157	Screw, platter guide M4-0.7x10 pan head w/ lock washer SST	089-4984-08	\$3.00
2	129418	Platter assembly, 30 lb	089-4960-18	\$211.00
	158515	Platter assembly, 60 lb	089-7833-00	\$102.00
3	179264	Case main upper 30 lb	089-4971-19	\$109.00
	Consult	Case main upper 60 lb	400-000-0401-00	Consult
—	Consult	Machine screw, countersink, M4x10, 5 pc	400-000-2535-00	Consult
—	Consult	Tapping screw, countersink, M4x10, 3 pc	400-000-5390-00	Consult
—	Consult	Machine screw, washer head, M4x15, 1 pc	400-000-2536-00	Consult
4	130062	Cover printer upper	089-4976-17	\$21.00
5	171673	Cover hinge upper	089-4991-13	\$16.00
—	185489	Screw, countersink, M3x16		\$1.00
6	171674	Cover hinge lower	089-5515-17	\$23.00
7	Consult	Platter support	089-4959-04	\$52.00
8	119505	Block B hinge platter	089-4964-12	\$2.00
9	168713	Rubber platter support, 30 lb	089-4963-00	\$4.00
	193397	Rubber platter support, 60 lb	089-6548-04	\$79.00
13	Consult	Case A/D board	089-4996-02	\$20.00
14	119145	PWB P-999B A/D board	089-5825-11	\$243.00
15	130815	Sheet keyboard-operation insert	089-5508-11	\$16.00
16	126464	Screw seal hex	089-5835-00	\$6.00
17	174108	PWB PK-260B main CPU, SD, 4M	400-000-1774-00	\$1,314.00
18	163384	Harness S2 5V power RF	089-5636-05	\$6.00
19	156608	Harness S2 customer display (pole)	089-5645-09	\$112.00
20	163775	Harness S2 operator LCD display	089-5630-12	\$93.00
22	Consult	Ferrite core	089-5812-04	\$14.00
	Consult	Ferrite core 60 lb	089-6888-01	Consult
23	Consult	Ferrite core	089-5811-01	\$8.00
	Consult	Ferrite core 60 lb	089-6889-04	Consult
24	41734	Accessory PWB guide spacer	000-1795-01	\$2.00
25	Consult	Harness S2 24V DC power	089-5634-08	\$10.00
26	187656	Sheet insulation	089-5727-01	\$6.00
27	Consult	Harness C2 A/D	089-5627-01	\$11.00
28	Consult	Bracket Level	089-4968-08	\$6.00
29	44425	Level Unit	001-6278-08	\$50.00
	44425	Level Unit 60 lb	900-5727-05	\$50.00
30	Consult	Frame level	011-2648-07	\$1.00
	Consult	Frame level 60 lb	089-0930-02	Consult
31	42857	Level lens	089-1219-01	\$4.00
32	168773	Bracket torque hinge	089-4967-04	\$34.00
33	156446	Hinge, left	089-5505-01	\$29.00
34	156447	Hinge, right	089-5506-04	\$29.00
—	45519	M3x8 tapping screw	000-0353-05	\$2.00
—	178863	Keyboard support hinge kit (4 screws, 2 plates)		\$22.00
—	120646	Bolt, M3x6mm phillips hex head w washers zinc	078-0612-01	\$2.00
35	132394	Ground clamp	089-5810-07	\$3.00
36	152445	Case rear control	089-4945-11	\$90.00
	152445	Case rear control 60 lb	400-000-0403-00	\$90.00
—	179568	Washer screw, M3x8, self-tapping	400-000-0487-00	\$3.00
37	119154	PWB PK-261A keyboard/display controller	089-5614-03	\$333.00
38	132395	Accessory PCB support	116-6895-05	\$2.00
41	152444	Case front control	089-4944-27	\$74.00
	Consult	Case front control 60 lb	400-000-0402-00	Consult
42	119155	Keyboard membrane, contacts only	089-5682-16	\$65.00
43	119156	Sheet keyboard programming	089-4946-06	\$25.00
44	119157	Cover keyboard transparent overlay	089-4947-37	\$38.00
45	Consult	Bracket connector assembly	089-5504-07	\$52.00
46	215289	RF Wireless card, 5 GHZ & 2.4 GHZ, SX-590	000-089-7989-07	\$643.00



Printing Scales

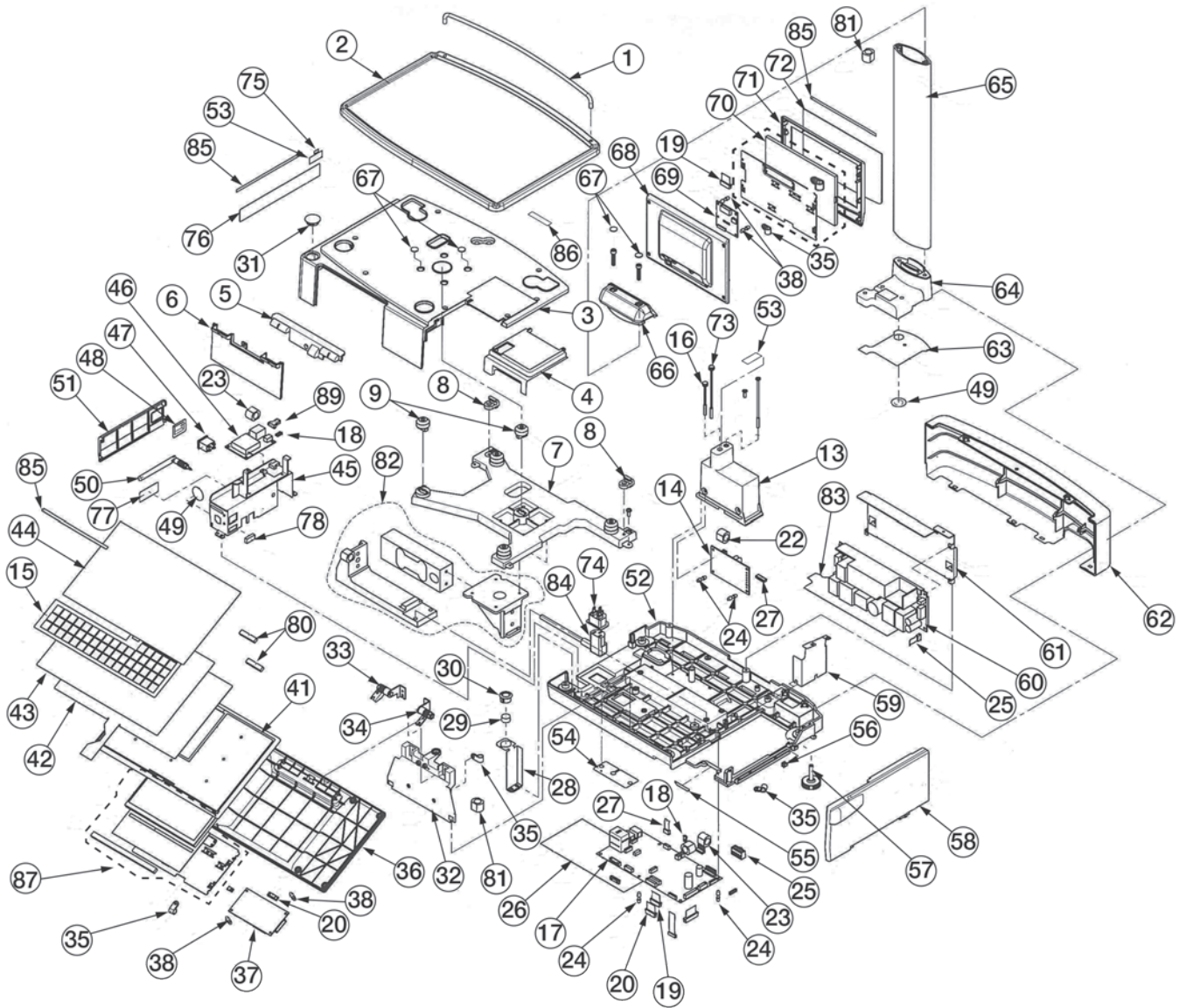
# Uni-7

Pole, Scale



## Part Number/Price

Ref #	Part #	Description	Synonym	Price
—	<b>132395</b>	Support, PCB	116-6895-05	\$2.00
—	<b>48784</b>	Screw, M3x6 w/flange (mounting screw)	010-0725-06	\$2.00
47	<b>161916</b>	Harness C4 switch assembly	089-5638-11	\$11.00
48	<b>130811</b>	Cover switch clear	089-5591-01	\$11.00
49	<b>Consult</b>	Sticker seal	075-1264-01	\$4.00
50	<b>119159</b>	Antenna WiFi, black, for WiPort	089-5639-06	\$89.00
51	<b>130812</b>	Cover bracket connector	089-4974-10	\$16.00
52	<b>Consult</b>	Base	089-4957-07	\$126.00
53	<b>126461</b>	Sticker void	089-4988-02	\$6.00
54	<b>159797</b>	Plate B RS-232C	089-5516-01	\$4.00
55	<b>Consult</b>	Plate B magnetic	089-4982-01	\$2.00
56	<b>187214</b>	Block B hinge side cover	089-4985-11	\$2.00
57	<b>130813</b>	Foot adjust	089-5083-06	\$4.00
58	<b>158517</b>	Cover side	089-4975-13	\$34.00
59	<b>Consult</b>	Cover harness	089-4987-09	\$4.00
60	<b>119160</b>	Power supply	079-1225-04	\$248.00
61	<b>Consult</b>	Bracket power	089-4995-09	\$23.00
62	<b>Consult</b>	Case rear pole	089-4956-21	\$71.00
	<b>192216</b>	Case rear pole 60 lb	089-4956-21	\$55.00
63	<b>175669</b>	Plate B bracket pole	089-4954-15	\$10.00
64	<b>215057</b>	Bracket pole stand	000-089-6589-07	\$57.00
65	<b>215059</b>	Pole stand	089-4952-09	\$94.00
66	<b>152541</b>	Case link pole	089-4950-01	\$47.00
67	<b>121030</b>	Cap	089-5796-08	\$2.00
68	<b>152542</b>	Case rear pole display	089-4949-16	\$55.00
69	<b>119161</b>	PWB PK-263A, customer display board	089-5615-07	\$78.00
70	<b>119162</b>	LCD, customer display	089-5623-16	\$212.00
71	<b>Consult</b>	Case front pole display	089-4948-12	\$41.00
72	<b>154723</b>	Sheet display panel	089-4951-05	\$17.00
73	<b>126463</b>	Screw seal hex head long	089-5834-06	\$6.00
74	<b>203992</b>	Harness C2 power assembly	089-5633-04	\$4.00
75	<b>Consult</b>	Sticker M	044-8464-00	\$4.00
76	<b>Consult</b>	Name plate spec	089-5381-15	\$12.00
77	<b>Consult</b>	Sticker location output	089-5740-19	\$1.00
78	<b>Consult</b>	Gasket 20 mm	089-5728-04	\$1.00
80	<b>119163</b>	Vibrator assembly	089-5734-16	\$13.00
81	<b>132397</b>	Ferrite core	089-5813-08	\$22.00
82	<b>119164</b>	Load cell assembly, 30 lb	089-6149-01	\$255.00
	<b>158516</b>	Load cell assembly, 60 lb	089-6924-01	\$255.00
83	<b>Consult</b>	Sheet insulation power supply	089-6353-05	\$8.00
84	<b>119506</b>	Power cord, 90 degree molded	089-5787-04	\$23.00
85	<b>151522</b>	Decal, capacity statement, 30 lb	089-5064-05	\$6.00
	<b>158625</b>	Decal, capacity statement, oz	089-8526-00	\$14.00
	<b>179438</b>	Decal, capacity statement, 60 lb	089-7994-07	\$6.00
87	<b>119165</b>	LCD display/touchscreen assembly, operator	089-6678-05	\$325.00
88	<b>80990</b>	Plate A cover	089-4042-00	\$5.00
89	<b>130816</b>	Harness S2 LAN	089-5637-09	\$16.00
999	<b>167774</b>	In use key cover		\$6.00
999	<b>224531</b>	Complete operator keyboard/display assembly	089-8147-01	\$826.00



Printing Scales

# Uni-7

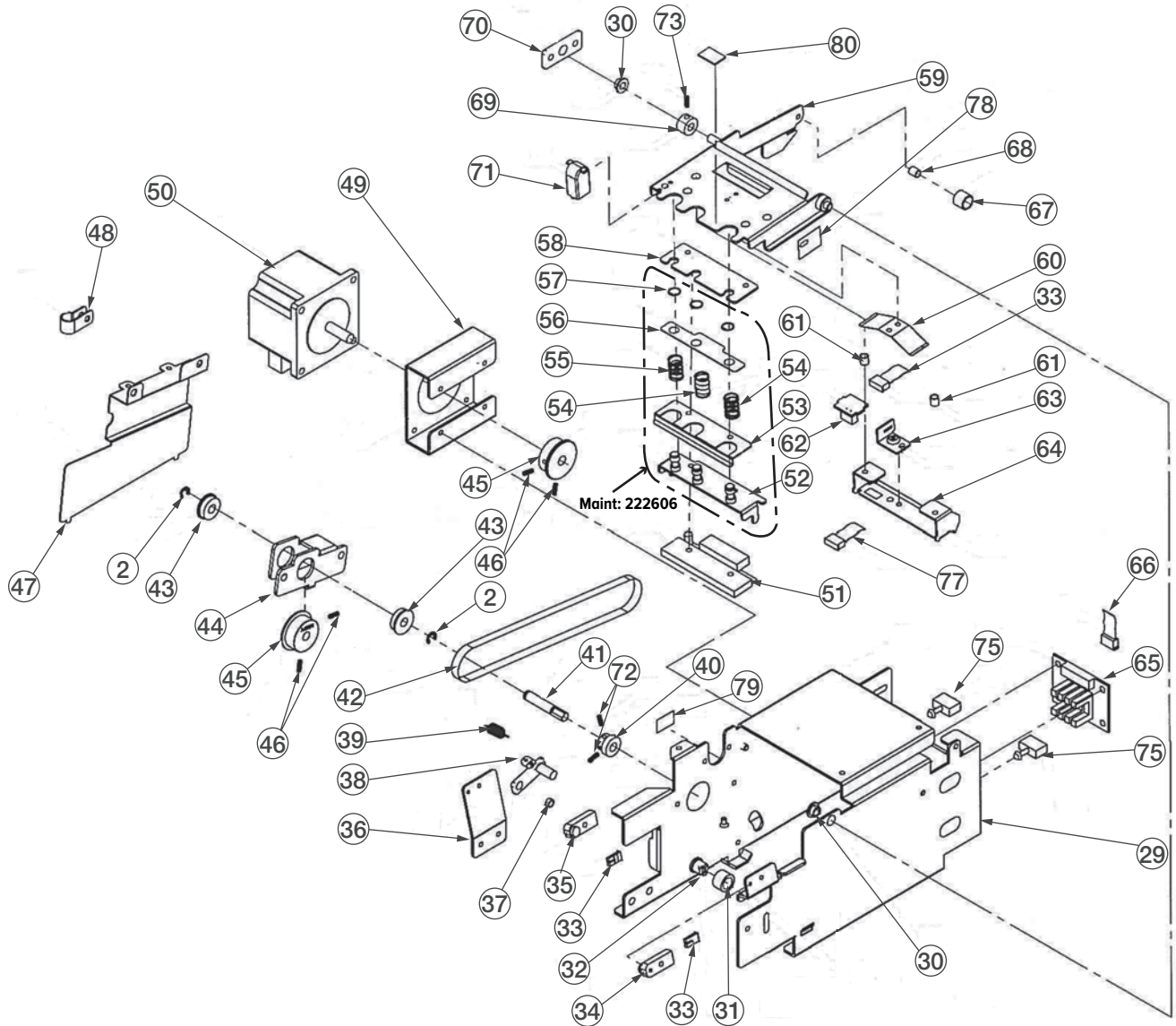
Pole, Printer



## Part Number/Price

Ref #	Part #	Description	Synonym	Price
2	46986	E-ring, 3 mm M3	000-0287-02	\$2.00
29	210855	Frame printer	089-5517-14	\$84.00
30	180542	Bush	031-9081-00	\$3.00
31	181100	Roller support cassette	089-5537-00	\$2.00
32	158806	Pin support cassette	089-5536-06	\$9.00
—	Consult	Screw, pan head washer, M4x8, chromate		Consult
33	193673	Harness C4 sensor, white conn, use with sensors p/n 193674, 193675	400-000-1803-00	\$15.00
34	87535	Peel sensor, receiver, black, right	066-4500-09	\$12.00
	193674	Peel sensor; receiver, black, right, from s/n 100237828	400-000-1761-00	\$12.00
35	87534	Peel sensor, transmitter, grey, left	064-5587-01	\$12.00
	193675	Peel sensor, transmitter, grey/white, left, from s/n 100237828	400-000-1762-00	\$15.00
—	195858	Peel sensor harness C2, left-side bypass, old-style orange connector	400-000-3770-00	Consult
—	195857	Peel sensor harness C2, left-side bypass, new-style white connector, from s/n 100237828	400-000-3769-00	Consult
36	Consult	Bracket sensor left	089-5531-08	\$4.00
37	181101	Collar spacer	089-5038-08	\$2.00
38	180554	Lever lock head	089-5539-07	\$8.00
39	181102	Spring coil tension	089-5540-01	\$5.00
40	167388	Gear flat	089-5523-08	\$9.00
41	167389	Shaft pulley	089-5530-04	\$9.00
42	158518	Timing belt pulley S2M	118-7567-01	\$8.00
43	181103	Bearing large circle	089-5668-04	\$25.00
44	Consult	Holder pulley	089-5528-06	\$7.00
45	186908	Timing pulley S2M	089-5524-01	\$11.00
46	Consult	Screw, set M3x3		Consult
47	Consult	Cover timing belt	089-5535-02	\$9.00
48	Consult	Cable clamp	089-5731-06	\$1.00
49	Consult	Bracket motor	089-5529-00	\$19.00
50	119168	Stepping motor	089-5513-01	\$169.00
51	119169	Thermal head, CHX56-8359, 1100 ohm	089-5669-08	\$252.00
—	48784	Screw, M3x6 w/flange (mounting screw)	000-010-0725-06	\$2.00
52	161974	Bracket head	089-5520-16	\$30.00
53	163391	Cover head	089-5534-09	\$4.00
	180998	Cutter, label, linerless	089-5078-07	\$90.00
—	180999	L Plate, B push cutter, linerless	089-6633-08	\$86.00
54	163392	Spring coil	089-5542-09	\$3.00
55	163393	Spring coil	089-5541-05	\$3.00
56	163394	Plate A spring support	089-5521-01	\$3.00
57	163396	Snap ring, 6 mm, black oxide	089-5836-03	\$2.00
58	163398	Stay head	089-5519-02	\$9.00
59	156853	Bracket printer	089-5518-09	\$66.00
—	42728	Screw, M4x6 w/flange (mounting screw)	000-000-0436-01	\$2.00
60	180543	Spring plate	089-5533-05	\$3.00
61	165618	Collar spacer	089-5036-01	\$2.00
62	87533	Label gap sensor	105-5249-09	\$43.00
63	168935	Holder label sensor	089-5532-01	\$12.00
—	108945	Screw, M3x8 mm, phillips counter sink stainless steel		\$0.50
64	168936	Bracket label sensor	089-5522-04	\$6.00
65	87532	Sensor, cassette number	064-5586-08	\$46.00
66	199214	Harness C2 cassette	089-5628-05	\$12.00
67	47481	Stopper	000-9327-01	\$45.00
68	180544	Collar spacer	089-5037-04	\$2.00
69	180545	Collar	089-5527-02	\$8.00
70	Consult	Plate A	089-5526-09	\$2.00
71	159888	Block B support	089-5538-03	\$3.00
72	50160	Screw, set M3x6	002-1942-07	Consult
73	84066	Set screw, hex socket, w-point, M4-0.7x4 stainless steel	000-0469-03	\$2.00

Ref #	Part #	Description	Synonym	Price
75	Consult	Support	089-5729-08	\$1.00
77	167053	Harness C2, thermal head	089-5632-10	\$37.00
78	187229	Plate A	089-5919-00	\$3.00
79	Consult	Mount base	089-5732-00	\$1.00
80	Consult	Sheet cushion		\$5.00
Maint	222606	Bracket Head Assembly (includes 52, 53, 54, 55, 56, 57)	400-000-4516-00	\$125.00



Printing Scales

# Uni-8

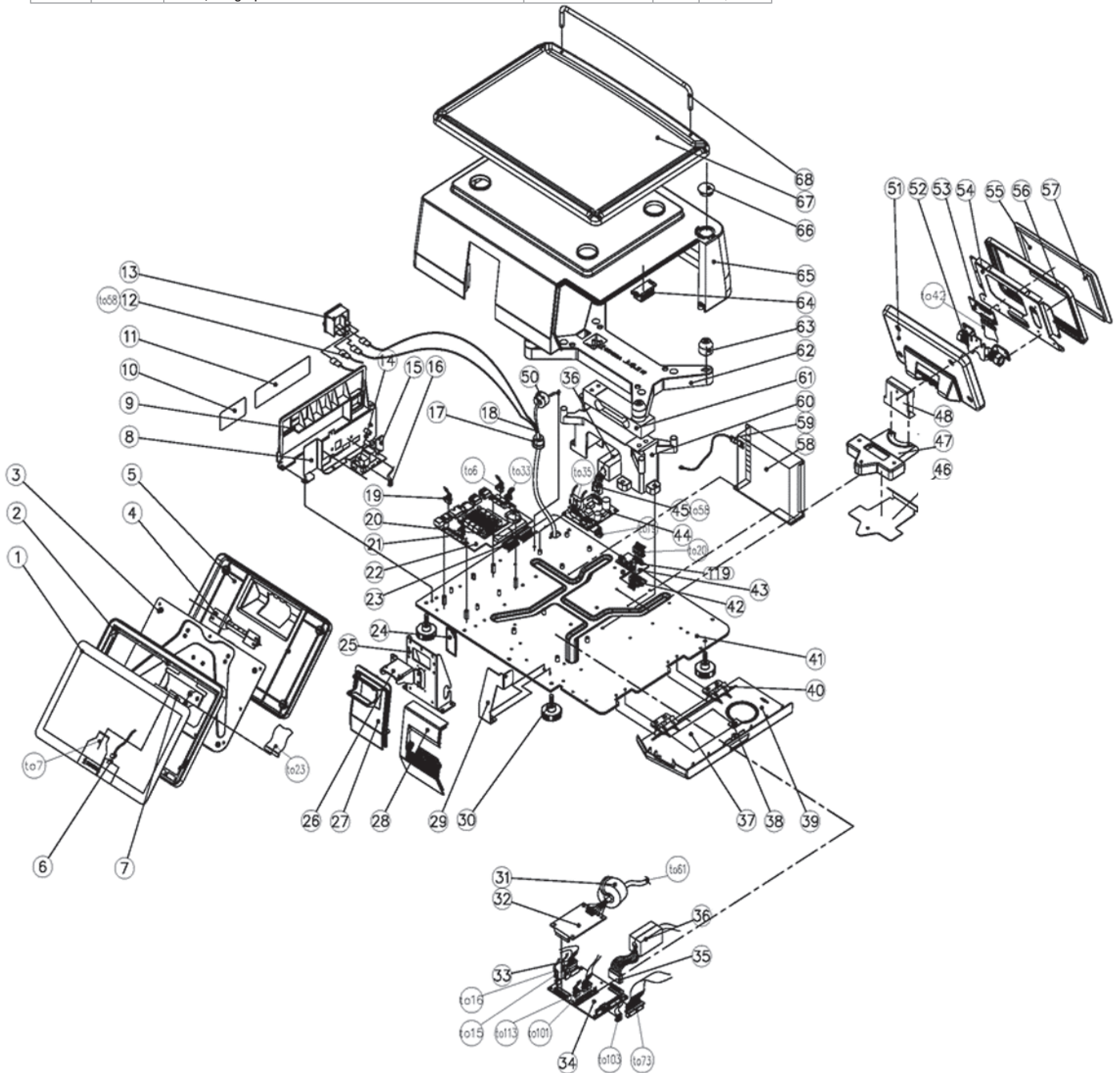
Bench, Printer



## Part Number/Price

Ref #	Part #	Description	Synonym	Qty	Price
1	223513	TFT, screen, 10 inch, operator display	400-000-7008-00	1	\$540.00
2	223514	Case front, operator display	400-000-7009-00	1	\$27.00
3	223515	Bracket, 10 inch TFT, operator display, zinc plated	400-000-7010-00	1	\$68.00
4	223516	Damping hinge, assy, operator display	400-000-7011-00	1	\$68.00
5	223517	Case, rear, operator display	400-000-7012-00	1	\$42.00
6	223518	Harness C2, operator display, 10 inch TFT to CPU USB3	400-000-7013-00	1	\$13.00
7	223519	LVDS board, junction, operator display	400-000-7014-00	1	\$52.00
8	Consult	Bracket-MB	400-000-7015-00	1	\$46.00
9	Consult	Connector	400-000-7016-00	1	\$18.00
10	Consult	Wi-Fi sticker	400-000-7017-00	1	\$4.00
11	Consult	Name plate, multi-range	400-000-7018-00	1	\$4.00
11	Consult	Name plate, single-range	400-000-7019-00	1	\$4.00
12	223520	Harness C4 (power switch to power switching board L N)	400-000-7020-00	1	\$13.00
13	223521	Switch, rocker, power	400-000-7021-00	1	\$11.00
14	223522	PWB PS-105, register board	400-000-7022-00	1	\$19.00
15	223523	PWB PS-063, span switch board	400-000-7023-00	1	\$11.00
16	223524	Harness C2, PS-105 CN5 to PS-096C XJ5	400-000-7024-00	1	\$11.00
17	Consult	Strain relief bushing	400-000-7025-00	1	\$2.00
18	223525	Power cord, hard-wired, three prong	400-000-7026-00	1	\$44.00
19	223526	Harness C2, P-097 CN3 to CPU 12V in	400-000-7027-00	1	\$11.00
20	223527	Harness, operator display, LVDS board CN1 to CPU LVDS1	400-000-7028-00	1	\$40.00
21	Consult	Harness audio out	400-000-7029-00	1	\$10.00
22	223528	PWB PS-100, CPU board	400-000-7030-00	1	\$927.00
23	223529	Harness, PS-098-CN3 to CPU-LVDS2	400-000-7031-00	1	\$54.00
24	Consult	Speaker	400-000-7032-00	1	\$30.00
25	Consult	Bracket-op-display	400-000-7033-00	1	\$40.00
26	Consult	Bracket-op	400-000-7034-00	1	\$20.00
27	223530	Faceplate, case, front, hinge, plastic	400-000-7035-00	1	\$13.00
28	223531	Cover, case, front, printer, plastic	400-000-7036-00	1	\$15.00
29	Consult	Bracket	400-000-7037-00	1	\$8.00
30	130813	Foot leveling, M6-1.0x32 mm	000-089-5083-06	4	\$8.00
—	92169	Nut, SST, M6-1.0	—	8	\$4.00
31	223533	Ferrite core	400-000-7039-00	1	\$13.00
32	223534	PWB PS-067, AD board	400-000-7040-00	1	\$303.00
33	223535	Harness C2, PS-096C XJ2 to CPU USB4	400-000-7041-00	1	\$19.00
34	223536	PWB PS-096C, printer board	400-000-7042-00	1	\$363.00
35	223537	Harness S2, PS-097 CN7 to PS-096C XJ3	400-000-7043-00	1	\$11.00
36	223538	Ferrite core	400-000-7044-00	2	\$25.00
37	223539	Sticker, loading instructions, printer	400-000-7045-00	1	\$7.00
38	Consult	Bracket	400-000-7046-00	1	\$2.00
39	223540	Cover, case, right, printer door	400-000-7047-00	1	\$27.00
40	223541	Hinge, plastic	400-000-7048-00	2	\$9.00
41	Consult	Base	400-000-7049-00	1	\$160.00
42	223542	Harness, (PS-098 CN1 to LVDS junction board, customer display)	400-000-7050-00	1	\$46.00
43	223544	PWB PS-098, connector	400-000-7051-00	1	\$25.00
44	223545	PWB PS-097, power board	400-000-7052-00	1	\$87.00
45	223546	Harness S3, PS-097 CN1 to power switching board -V +V	400-000-7053-00	1	\$15.00
46	Consult	Pole base cover	400-000-7054-00	1	\$12.00
47	Consult	Pole base	400-000-7055-00	1	\$42.00
48	223547	Display base, aluminum	400-000-7056-00	1	\$99.00
49	Consult	Bracket lock	400-000-7057-00	1	\$22.00
50	Consult	Ferrite core	400-000-7058-00	1	\$16.00
51	223548	Case, rear, customer display	400-000-7059-00	1	\$40.00
52	223549	Damping hinge, assy, customer display	400-000-7060-00	1	\$75.00
53	223550	LVDS board, junction, customer display	400-000-7061-00	1	\$48.00
54	223551	Bracket, 7-inch TFT, customer display, zinc plated	400-000-7062-00	1	\$44.00
55	223552	TFT, screen, 7-inch, customer display	400-000-7063-00	1	\$244.00
56	223553	Case, front, customer display	400-000-7064-00	1	\$86.00

Ref #	Part #	Description	Synonym	Qty	Price
57	223554	Sheet, customer display	400-000-7065-00	1	\$19.00
58	223555	Power switching board	400-000-7066-00	1	\$159.00
59	Consult	Harness S2 GND	400-000-7067-00	1	\$6.00
60	Consult	Base	400-000-7068-00	1	\$58.00
61	223557	Load cell, 30 lb, 15 kg	400-000-7069-00	1	\$225.00
62	Consult	Plate support, weigh spider	400-000-7070-00	1	\$62.00
63	223558	Rubber support, weigh spider	400-000-7071-00	4	\$5.00
64	223604	Magnet, catch, printer door	400-000-7072-00	1	\$7.00
65	223559	Case, main body	400-000-7073-00	1	\$159.00
66	Consult	Lens	400-000-7074-00	1	\$4.00
67	223560	Weigh platter	400-000-6840-00	1	\$146.00
68	223561	Guide, weigh platter	400-000-6914-00	1	\$38.00



Printing Scales

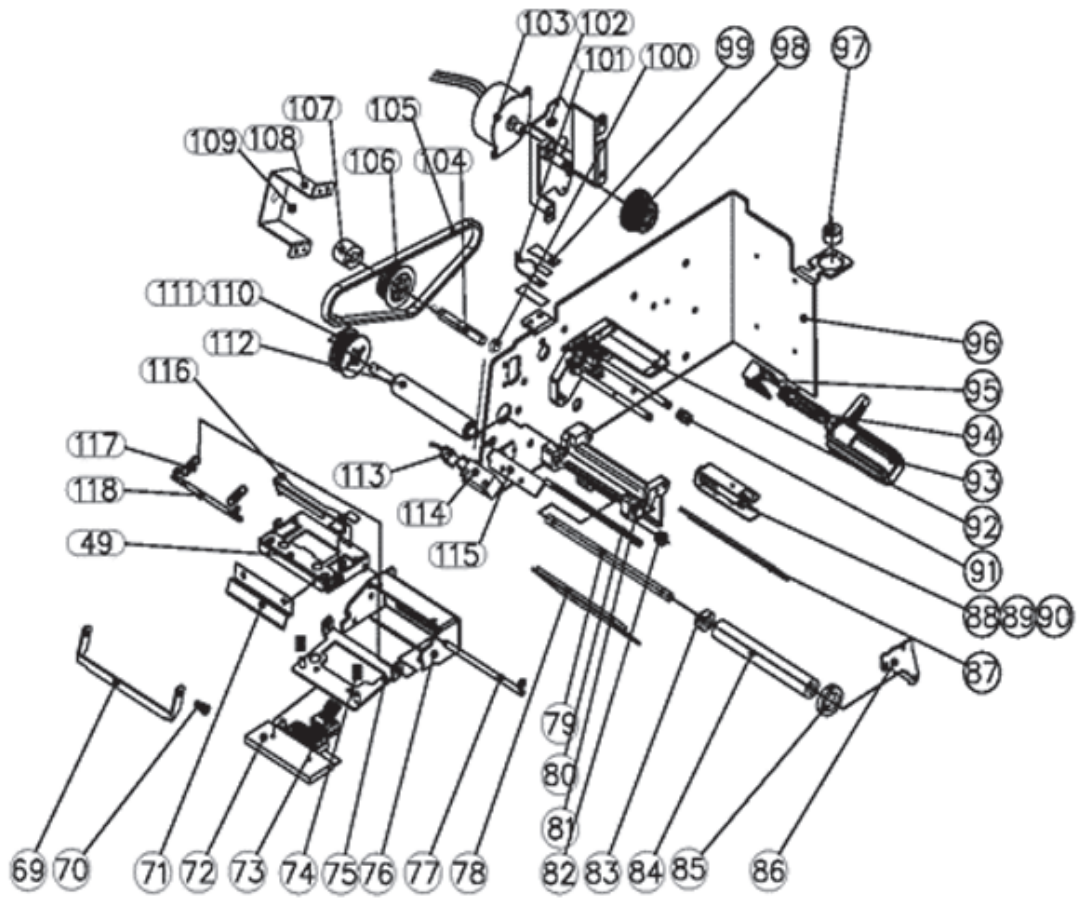
# Uni-8

Bench, Printer



## Part Number/Price

Ref #	Part #	Description	Synonym	Qty	Price
69	Consult	Bracket	400-000-7077-00	1	\$8.00
70	Consult	Screw	400-000-7078-00	1	\$2.00
71	223562	Tear plate	400-000-7079-00	1	\$11.00
72	223563	Printhead, thermal	400-000-7080-00	1	\$225.00
73	223564	Harness S2, printhead, thermal to PS-096C XJ9	400-000-7081-00	1	\$33.00
74	223565	Spring coil 2	400-000-7082-00	2	\$3.00
75	Consult	Bracket head	400-000-7083-00	1	\$16.00
76	Consult	Frame head	400-000-7084-00	1	\$26.00
77	Consult	Shaft 1	400-000-7085-00	1	\$4.00
78	Consult	Bracket	400-000-7086-00	1	\$28.00
79	Consult	Axis 01	400-000-7087-00	1	\$6.00
80	Consult	Axis 002	400-000-7088-00	1	\$32.00
81	Consult	Support-NL	400-000-7089-00	1	\$12.00
82	Consult	Bush left pom	400-000-7090-00	2	\$2.00
83	Consult	Bush	400-000-7091-00	1	\$14.00
84	223566	Shaft, roller, plastic	400-000-7092-00	1	\$27.00
85	Consult	Label guide	400-000-7093-00	1	\$12.00
86	Consult	Cover-NL	400-000-7094-00	1	\$6.00
87	Consult	Bracket of fixed	400-000-7095-00	1	\$18.00
88	223567	Bracket, take spool	400-000-7096-00	1	\$15.00
89	223568	Spring	400-000-7097-00	1	\$3.00
90	223569	Shaft	400-000-7098-00	1	\$21.00
91	223570	Axle bushings, textured roller	400-000-7099-00	16	\$3.00
92	223572	Support, housing, gap sensor, nylon	400-000-7100-00	1	\$21.00
93	223574	Holder, label supply reel, mount	000-089-6667-04	1	\$13.00
94	66376	Lever guide, lock, label supply reel	000-089-2858-04	1	\$4.00
95	66378	Holder, guide, label supply reel	000-089-2830-01	1	\$4.00
96	Consult	Frame	400-000-7101-00	1	\$52.00
97	Consult	Level unit	400-000-7102-00	1	\$28.00
98	223576	Gear, stepped, dual teeth	400-000-7103-00	1	\$5.00
99	223605	Bracket, cover, label gap	400-000-7104-00	2	\$3.00
100	Consult	Bush	400-000-7105-00	1	\$4.00
101	223577	Sensor, label gap, assy, send and receive	400-000-7336-00	1	\$13.00
102	Consult	Bracket motor	400-000-7107-00	1	\$14.00
103	223578	Motor stepping	400-000-7108-00	1	\$120.00
104	223580	Axis rewind	400-000-7109-00	1	\$19.00
105	223581	Timing belt	400-000-7110-00	1	\$13.00
106	223583	Gear rewind	400-000-7111-00	1	\$5.00
107	223584	Torque limit	400-000-7112-00	1	\$44.00
108	Consult	Bracket 01	400-000-7113-00	1	\$6.00
109	Consult	Bush	400-000-7114-00	1	\$4.00
110	223585	Gear, driver	400-000-7115-00	1	\$9.00
111	223586	Cover, gear, driver	400-000-7116-00	1	\$3.00
112	223587	Platen roller, rubber, printhead	400-000-7117-00	1	\$52.00
113	223588	Harness, peel sensor, to PS-096C XJ11	400-000-7118-00	1	\$11.00
114	223589	Peel sensor	400-000-7119-00	1	\$43.00
115	223590	Bracket, peel sensor	400-000-7120-00	1	\$13.00
116	223591	Bracket, printhead, open close	400-000-7121-00	1	\$13.00
117	223592	Spring coil 1	400-000-7122-00	2	\$3.00
118	Consult	Axis hold	400-000-7123-00	1	\$6.00
119	223593	Jumper cap	400-000-7337-00	2	\$3.00



Printing Scales

# Uni-8

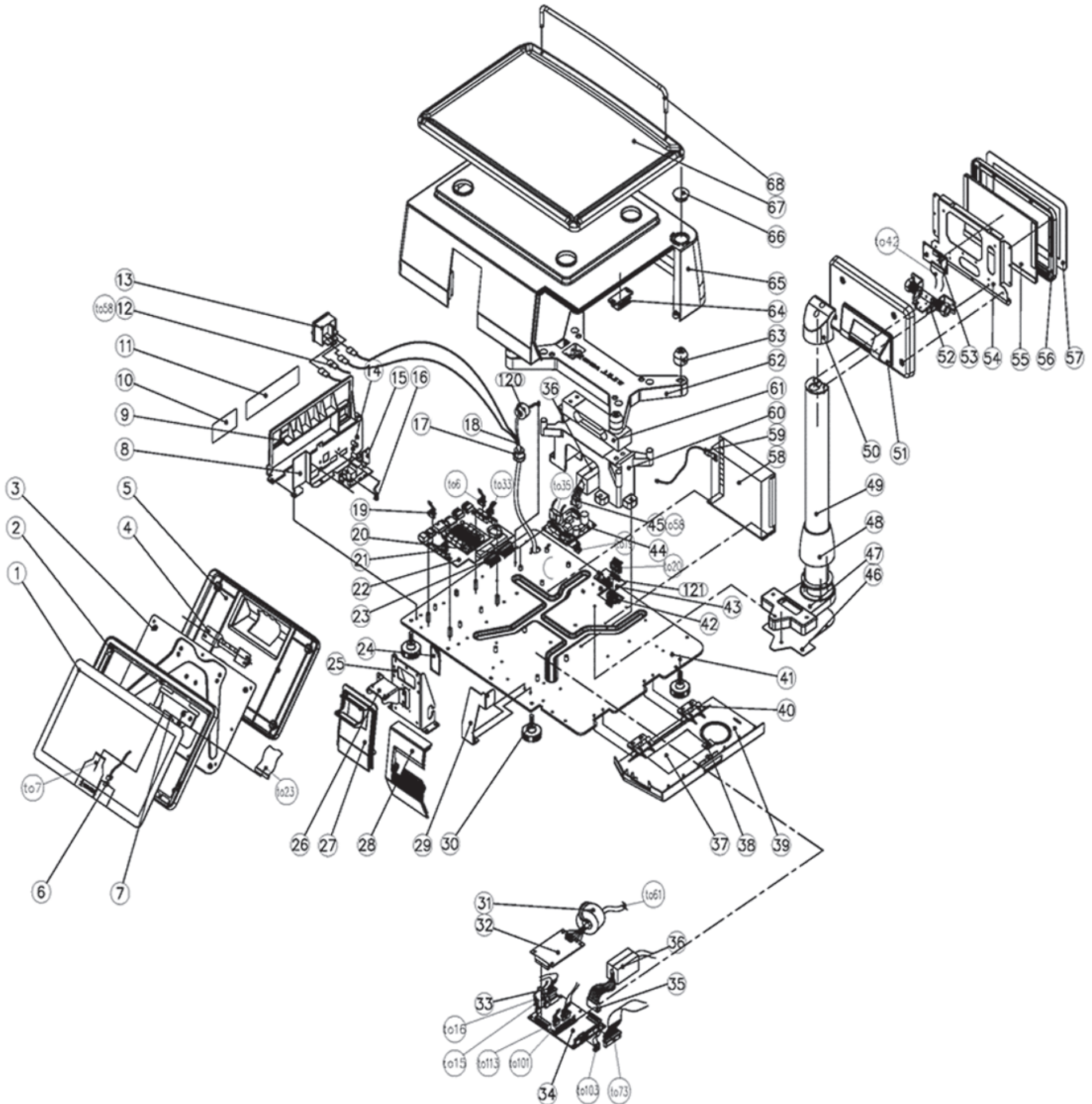
Pole, Printer



## Part Number/Price

Ref #	Part #	Description	Synonym	Qty	Price
1	223513	TFT, screen, 10 inch, operator display	400-000-7008-00	1	\$540.00
2	223514	Case front, operator display	400-000-7009-00	1	\$27.00
3	223515	Bracket, 10 inch TFT, operator display, zinc plated	400-000-7010-00	1	\$68.00
4	223516	Damping hinge, assy, operator display	400-000-7011-00	1	\$68.00
5	223517	Case, rear, operator display	400-000-7012-00	1	\$42.00
6	223518	Harness C2, operator display, 10 inch TFT to CPU USB3	400-000-7013-00	1	\$13.00
7	223519	LVDS board, junction, operator display	400-000-7014-00	1	\$52.00
8	Consult	Bracket-MB	400-000-7015-00	1	\$46.00
9	Consult	Connector	400-000-7016-00	1	\$18.00
10	Consult	Wi-Fi sticker	400-000-7017-00	1	\$4.00
11	Consult	Name plate, multi-range	400-000-7018-00	1	\$4.00
11	Consult	Name plate, single-range	400-000-7019-00	1	\$4.00
12	223520	Harness C4 (power switch to power switching board L N)	400-000-7020-00	1	\$13.00
13	223521	Switch, rocker, power	400-000-7021-00	1	\$11.00
14	223522	PWB PS-105, register board	400-000-7022-00	1	\$19.00
15	223523	PWB PS-063, span switch board	400-000-7023-00	1	\$11.00
16	223524	Harness C2, PS-105 CN5 to PS-096C XJ5	400-000-7024-00	1	\$11.00
17	Consult	Strain relief bushing	400-000-7025-00	1	\$2.00
18	223525	Power cord, hard-wired, three prong	400-000-7026-00	1	\$44.00
19	223526	Harness C2, P-097 CN3 to CPU 12V in	400-000-7027-00	1	\$11.00
20	223527	Harness, operator display, LVDS board CN1 to CPU LVDS1	400-000-7028-00	1	\$40.00
21	Consult	Harness audio out	400-000-7029-00	1	\$10.00
22	223528	PWB PS-100, CPU board	400-000-7030-00	1	\$927.00
23	223529	Harness, PS-098-CN3 to CPU-LVDS2	400-000-7031-00	1	\$54.00
24	Consult	Speaker	400-000-7032-00	1	\$30.00
25	Consult	Bracket-op-display	400-000-7033-00	1	\$40.00
26	Consult	Bracket-op	400-000-7034-00	1	\$20.00
27	223530	Faceplate, case, front, hinge, plastic	400-000-7035-00	1	\$13.00
28	223531	Cover, case, front, printer, plastic	400-000-7036-00	1	\$15.00
29	Consult	Bracket	400-000-7037-00	1	\$8.00
30	130813	Foot leveling, M6-1.0x32 mm	000-089-5083-06	4	\$8.00
31	223533	Ferrite core	400-000-7039-00	1	\$13.00
32	223534	PWB PS-067, AD board	400-000-7040-00	1	\$303.00
33	223535	Harness C2, PS-096C XJ2 to CPU USB4	400-000-7041-00	1	\$19.00
34	223536	PWB PS-096C, printer board	400-000-7042-00	1	\$363.00
35	223537	Harness S2, PS-097 CN7 to PS-096C XJ3	400-000-7043-00	1	\$11.00
36	223538	Ferrite core	400-000-7044-00	2	\$25.00
37	223539	Sticker, loading instructions, printer	400-000-7045-00	1	\$7.00
38	Consult	Bracket	400-000-7046-00	1	\$2.00
39	223540	Cover, case, right, printer door	400-000-7047-00	1	\$27.00
40	223541	Hinge, plastic	400-000-7048-00	2	\$9.00
41	Consult	Base	400-000-7049-00	1	\$160.00
42	223651	Harness LVDS	400-000-7031-00	1	\$54.00
43	223544	PWB PS-098, connector	400-000-7051-00	1	\$25.00
44	223545	PWB PS-097, power board	400-000-7052-00	1	\$87.00
45	223546	Harness S3, PS-097 CN1 to power switching board -V +V	400-000-7053-00	1	\$15.00
46	Consult	Bracket	400-000-7129-00	1	\$10.00
47	Consult	Pole base	400-000-7131-00	1	\$36.00
48	223652	Case, lower, base, pole	400-000-7132-00	1	\$13.00
49	223654	Pole	400-000-7133-00	1	\$145.00
50	223655	Case, upper, hinge, pole	400-000-7134-00	1	\$7.00
51	223548	Case, rear, customer display	400-000-7059-00	1	\$40.00
52	223549	Damping hinge, assy, customer display	400-000-7060-00	1	\$75.00
53	223550	LVDS board, junction, customer display	400-000-7061-00	1	\$48.00
54	223551	Bracket, 7-inch TFT, customer display, zinc plated	400-000-7062-00	1	\$44.00
55	223552	TFT, screen, 7-inch, customer display	400-000-7063-00	1	\$244.00
56	223553	Case, front, customer display	400-000-7064-00	1	\$86.00
57	223554	Sheet, customer display	400-000-7065-00	1	\$19.00
58	223555	Power switching board	400-000-7066-00	1	\$159.00

Ref #	Part #	Description	Synonym	Qty	Price
59	Consult	Harness S2 GND	400-000-7067-00	1	\$6.00
60	Consult	Base	400-000-7068-00	1	\$58.00
61	223557	Load cell, 30lb, 15 kg	400-000-7069-00	1	\$225.00
62	Consult	Plate support, weigh spider	400-000-7070-00	1	\$62.00
63	223558	Rubber support, weigh spider	400-000-7071-00	4	\$5.00
64	223604	Magnet, catch, printer door	400-000-7072-00	1	\$7.00
65	223559	Case, main body	400-000-7073-00	1	\$159.00
66	Consult	Lens	400-000-7074-00	1	\$4.00
67	223560	Weigh platter	400-000-6840-00	1	\$146.00



Printing Scales

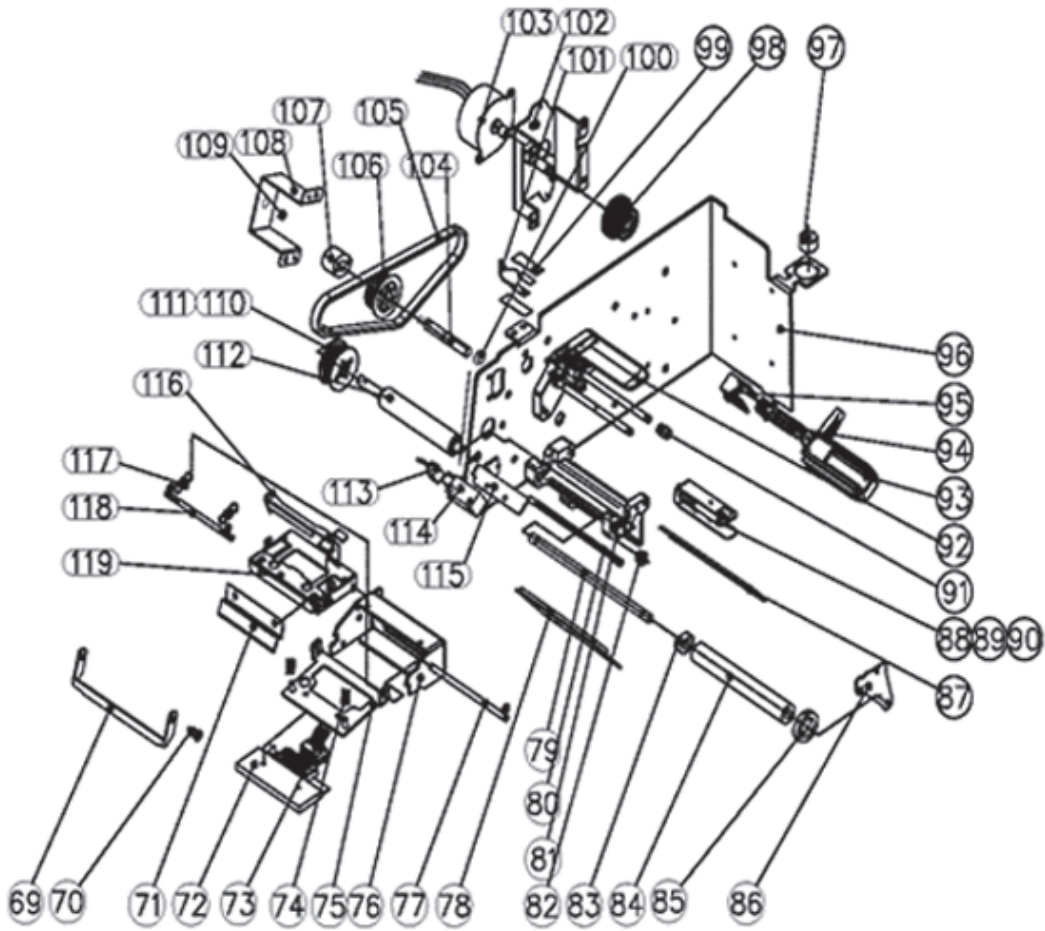
# Uni-8

Pole, Printer



## Part Number/Price

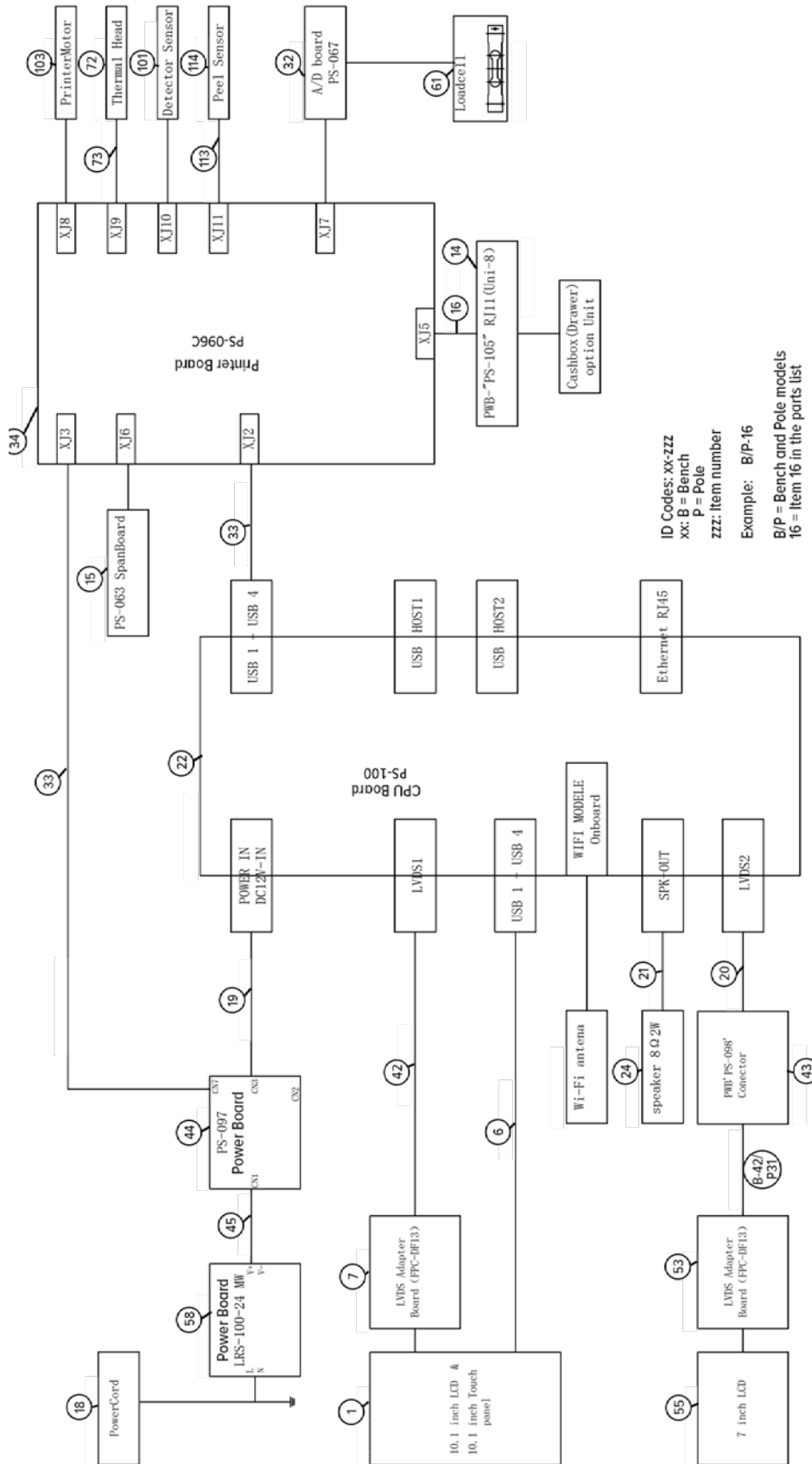
Ref #	Part #	Description	Synonym	Qty	Price
68	223561	Guide, weigh platter	400-000-6914-00	1	\$38.00
69	Consult	Bracket	400-000-7077-00	1	\$8.00
70	Consult	Screw	400-000-7078-00	1	\$2.00
71	223562	Tear plate	400-000-7079-00	1	\$11.00
72	223563	Printhead, thermal	400-000-7080-00	1	\$225.00
73	223564	Harness S2, printhead, thermal to PS-096C XJ9	400-000-7081-00	1	\$33.00
74	223565	Spring coil 2	400-000-7082-00	2	\$3.00
75	Consult	Bracket head	400-000-7083-00	1	\$16.00
76	Consult	Frame head	400-000-7084-00	1	\$26.00
77	Consult	Shaft 1	400-000-7085-00	1	\$4.00
78	Consult	Bracket	400-000-7086-00	1	\$28.00
79	Consult	Axis 01	400-000-7087-00	1	\$6.00
80	Consult	Axis 002	400-000-7088-00	1	\$32.00
81	Consult	Support-NL	400-000-7089-00	1	\$12.00
82	Consult	Bush left pom	400-000-7090-00	2	\$2.00
83	Consult	Bush	400-000-7091-00	1	\$14.00
84	223566	Shaft, roller, plastic	400-000-7092-00	1	\$27.00
85	Consult	Label guide	400-000-7093-00	1	\$12.00
86	Consult	Cover-NL	400-000-7094-00	1	\$6.00
87	Consult	Bracket of fixed	400-000-7095-00	1	\$18.00
88	223567	Bracket, take spool	400-000-7096-00	1	\$15.00
89	223568	Spring	400-000-7097-00	1	\$3.00
90	223569	Shaft	400-000-7098-00	1	\$21.00
91	223570	Axle bushings, textured roller	400-000-7099-00	16	\$3.00
92	223572	Support, housing, gap sensor, nylon	400-000-7100-00	1	\$21.00
93	223574	Holder, label supply reel, mount	000-089-6667-04	1	\$13.00
94	66376	Lever guide, lock, label supply reel	000-089-2858-04	1	\$4.00
95	66378	Holder, guide, label supply reel	000-089-2830-01	1	\$4.00
96	Consult	Frame	400-000-7101-00	1	\$52.00
97	Consult	Level unit	400-000-7102-00	1	\$28.00
98	223576	Gear, stepped, dual teeth	400-000-7103-00	1	\$5.00
99	223605	Bracket, cover, label gap	400-000-7104-00	2	\$3.00
100	Consult	Bush	400-000-7105-00	1	\$4.00
101	223577	Sensor, label gap, assy, send and receive	400-000-7336-00	1	\$13.00
102	Consult	Bracket motor	400-000-7107-00	1	\$14.00
103	223578	Motor stepping	400-000-7108-00	1	\$120.00
104	223580	Axis rewind	400-000-7109-00	1	\$19.00
105	223581	Timing belt	400-000-7110-00	1	\$13.00
106	223583	Gear rewind	400-000-7111-00	1	\$5.00
107	223584	Torque limit	400-000-7112-00	1	\$44.00
108	Consult	Bracket 01	400-000-7113-00	1	\$6.00
109	Consult	Bush	400-000-7114-00	1	\$4.00
110	223585	Gear, driver	400-000-7115-00	1	\$9.00
111	223586	Cover, gear, driver	400-000-7116-00	1	\$3.00
112	223587	Platen roller, rubber, printhead	400-000-7117-00	1	\$52.00
113	223588	Harness, peel sensor, to PS-096C XJ11	400-000-7118-00	1	\$11.00
114	223589	Peel sensor	400-000-7119-00	1	\$43.00
115	223590	Bracket, peel sensor	400-000-7120-00	1	\$13.00
116	223591	Bracket, printhead, open close	400-000-7121-00	1	\$13.00
117	223592	Spring coil 1	400-000-7122-00	2	\$3.00
118	Consult	Axis hold	400-000-7123-00	1	\$6.00
119	Consult	Bracket lock	400-000-7057-00	1	\$22.00
120	Consult	Ferrite core	400-000-7058-00	1	\$16.00
121	223593	Jumper cap	400-000-7337-00	2	\$3.00



Printing Scales

# Uni-8

## Electric Unit Wiring Diagram



ID Codes: xx-zzz  
 xx: B = Bench  
 P = Pole  
 zzz: Item number  
 Example: B/P-16  
 B/P = Bench and Pole models  
 16 = Item 16 in the parts list



# Uni-9

Main Body - Bench

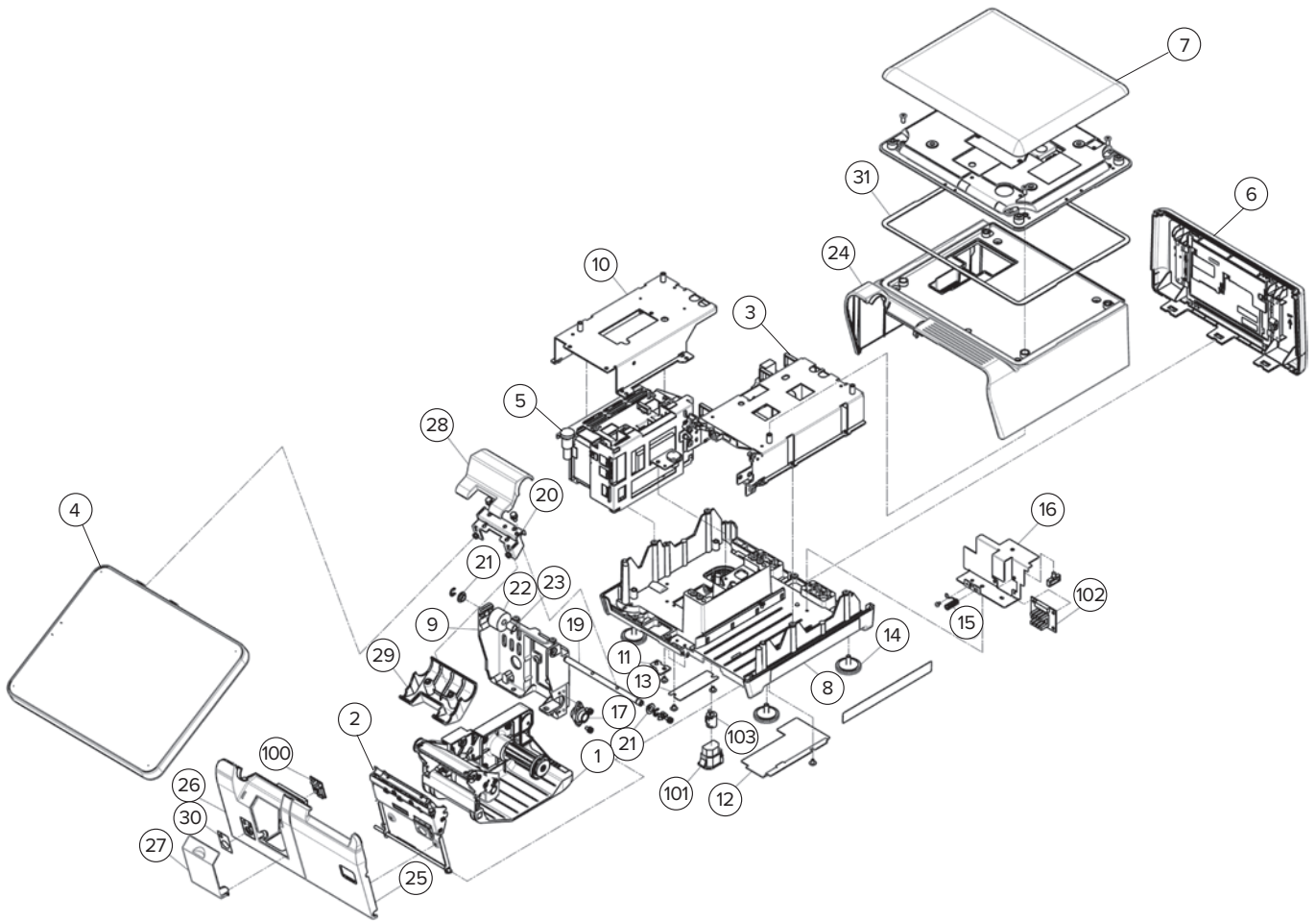


## Part Number/Price

Ref #	Part #	Description	Synonym	Price
1	155393	Cassette unit	142-6057-09	\$253.00
	159947	Cassette unit, linerless	146-5493-06	\$485.50
2	Consult	Printer unit	138-1707-02	Consult
3	Consult	Printer frame	138-1706-09	\$62.00
4	Consult	Operation unit	138-1708-06	Consult
5	Consult	Electric unit	138-1940-04	Consult
6	Consult	Display unit, Uni-9, B	138-1709-00	Consult
7	Consult	Scale unit, Uni-9, 30 lb / 15 kg	137-0881-07	Consult
8	Consult	Base, main body	138-1695-01	\$131.00
9	189089	Frame, main body, front	137-0865-16	\$38.00
10	Consult	Frame, main body, left	138-1592-11	\$41.00
11	186489	Stopper, fulcrum, printer unit	138-1590-13	\$4.00
12	186490	Cover, harness, lower	138-1550-14	\$11.00
13	186491	Plate B,	138-1549-10	\$3.00
14	158254	Foot, adjust	138-1751-07	\$10.00
15	182932	Spring, coil, compressive	138-1543-18	\$5.00
16	186492	Bracket, sensor, cassette	138-1544-11	\$11.00
17	184766	Dumper, rotary	138-1646-09	\$12.00
19	187266	Shaft, fulcrum, operation	138-1527-09	\$106.00
20	187267	Stay, hinge, operation	138-1529-15	\$9.00
21	186769	Bush	031-9453-01	\$4.00
22	186770	Torque limiter, one way	138-1645-05	\$47.00
23	187268	Collar, spacer	000-0415-02	\$2.00
24	162421	Case, main body, printer	138-1643-26	\$78.00
25	158255	Cover, front, printer	138-1545-15	\$9.00
26	158256	Cover, front, panel	137-0867-13	\$11.00
27	158257	Cover, connector	138-1546-19	\$6.00
28	158258	Cover, hinge, upper	138-1597-19	\$4.00
29	158259	Cover, hinge, lower	138-1598-12	\$4.00
30	158260	Sheet, switch	138-1660-01	\$8.00
31	165190	Gasket	138-1638-27	\$41.00
100	158263	PWB P-984-1, power switch	106-1319-18	\$50.00
101	186496	AC inlet assy	137-0801-36	\$17.00
102	87532	Sensor, cassette number	064-5586-08	\$46.00
103	186416	Filter, ferrite, core	074-0771-01	\$11.00
999	119506	Power cord, 90 degree molded	089-5787-04	\$23.00
999	91178	Seal, rivet	040-9585-01	\$11.00

# Uni-9

Main Body - Bench



Printing Scales

# Uni-9

Main Body - Pole

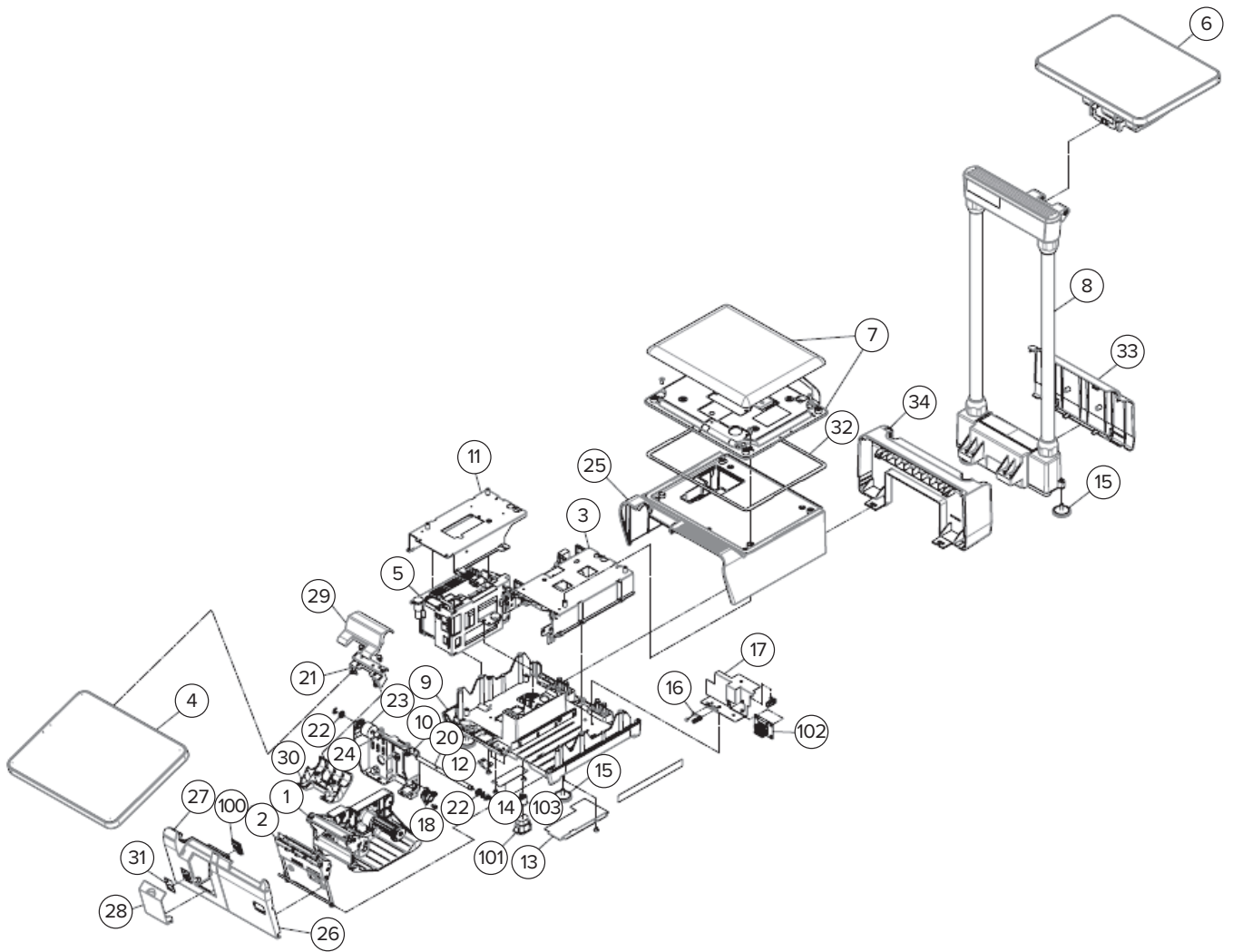


## Part Number/Price

Ref #	Part #	Description	Synonym	Price
1	155393	Cassette unit	142-6057-09	\$253.00
	159947	Cassette unit, linerless	146-5493-06	\$485.50
2	Consult	Printer unit, Uni-9	138-1707-02	Consult
3	Consult	Printer frame unit, Uni-9	138-1706-09	Consult
4	Consult	Operation unit, Uni-9, B/P	138-1708-06	Consult
5	Consult	Electric unit, Uni-9, P	138-1942-01	Consult
6	Consult	Display unit, Uni-9, P/EV	137-0880-03	Consult
7	Consult	Scale unit, Uni-9P, 30 lb / 15 kg	137-0882-01	Consult
8	Consult	Pole unit, Uni-9, P	137-0877-01	Consult
9	Consult	Base, main body	138-1695-01	\$131.00
10	189089	Frame, main body, front	137-0865-16	\$38.00
11	Consult	Frame, main body, left	138-1592-11	\$41.00
12	186489	Stopper, fulcrum, printer unit	138-1590-13	\$4.00
13	186490	Cover, harness, lower	138-1550-14	\$11.00
14	186491	Plate B	138-1549-10	\$3.00
15	158254	Foot, adjust	138-1751-07	\$10.00
16	182932	Spring, coil, compressive	138-1543-18	\$5.00
17	186492	Bracket, sensor, cassette	138-1544-11	\$11.00
18	184766	Dumper, rotary	138-1646-09	\$12.00
20	187266	Shaft, fulcrum, operation	138-1527-09	\$106.00
21	187267	Stay, hinge, operation	138-1529-15	\$9.00
22	186769	Bush	031-9453-01	\$4.00
23	186770	Torque limiter, one way	138-1645-05	\$47.00
24	187268	Collar, spacer	000-0415-02	\$2.00
25	162531	Case, main body, printer	138-1643-26	\$69.00
26	158255	Cover, front, printer	138-1545-15	\$9.00
27	158256	Cover, front, panel	137-0867-13	\$11.00
28	158257	Cover, connector	138-1546-19	\$6.00
29	158258	Cover, hinge, upper	138-1597-19	\$4.00
30	158259	Cover, hinge, lower	138-1598-12	\$4.00
31	158260	Sheet, switch	138-1660-01	\$8.00
32	165190	Gasket	138-1638-27	\$41.00
33	158261	Cover, pole base, front	138-1631-12	\$36.00
34	158262	Cover, pole base, rear	138-1666-12	\$59.00
100	158263	PWB P-984-1, power switch	106-1319-18	\$50.00
101	186496	AC inlet assy	137-0801-36	\$17.00
102	87532	Sensor, cassette number	064-5586-08	\$46.00
103	186416	Filter, ferrite, core	074-0771-01	\$11.00
999	119506	Power cord, 90 degree molded	089-5787-04	\$23.00
999	91178	Seal, rivet	040-9585-01	\$11.00

# Uni-9

Main Body - Pole



Printing Scales

# Uni-9

Main Body - Short Pole



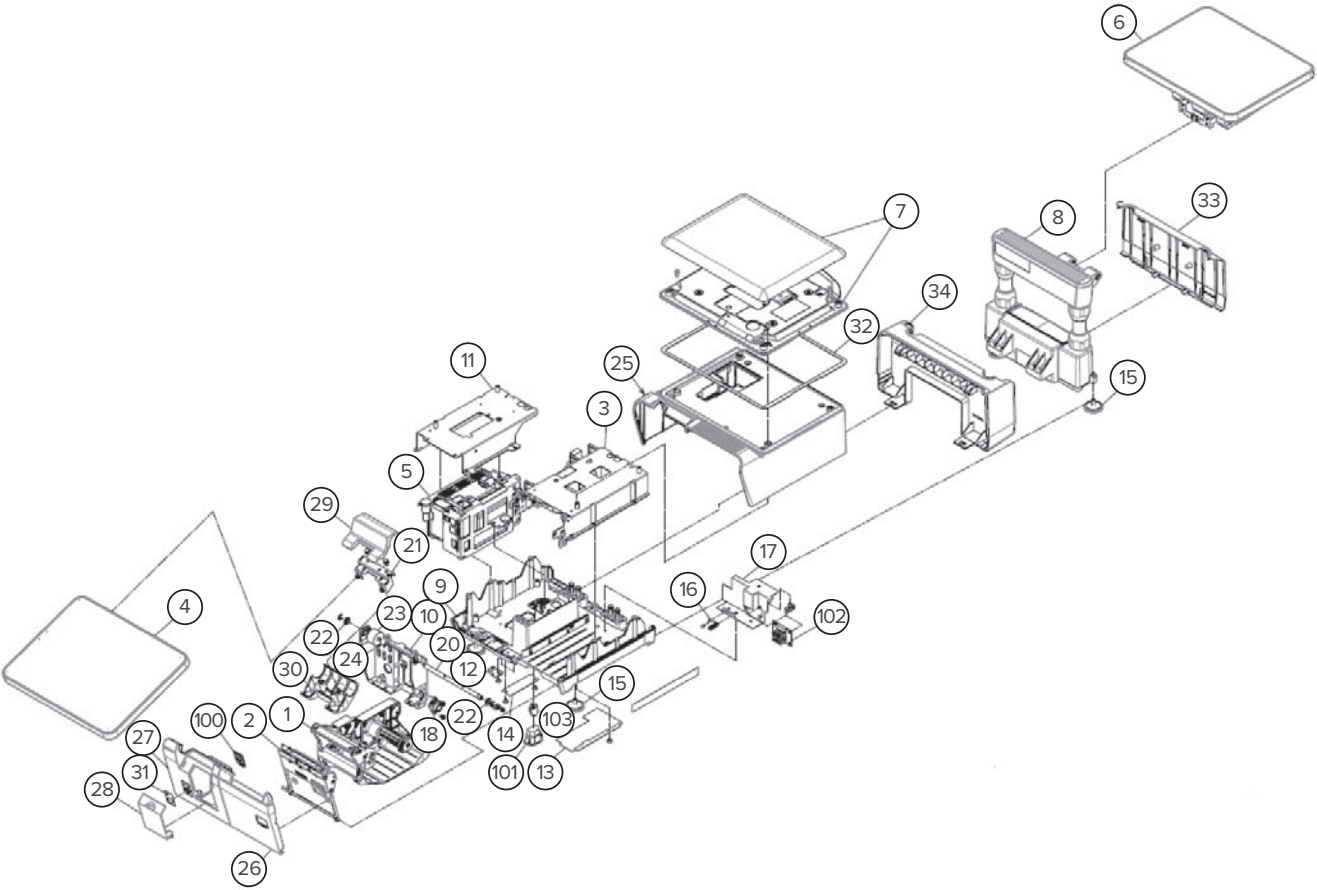
(platter shown is optional)

## Part Number/Price

Ref #	Part #	Description	Synonym	Price
1	155393	Cassette unit	142-6057-09	\$253.00
	159947	Cassette unit, linerless	146-5493-06	\$485.50
2	Consult	Printer unit, Uni-9	138-1707-02	Consult
3	Consult	Printer frame unit, Uni-9	138-1706-09	Consult
4	Consult	Operation unit, Uni-9, B/P	138-1708-06	Consult
5	Consult	Electric unit, Uni-9, SP	138-1942-01	Consult
6	Consult	Display unit, Uni-9, P/EV	137-0880-03	Consult
7	Consult	Scale unit, Uni-9P, 30 lb / 15 kg	137-0882-01	Consult
8	Consult	Pole unit, Uni-9P	137-0877-01	Consult
9	Consult	Base, main body	138-1695-01	\$131.00
10	189089	Frame, main body, front	137-0865-16	\$38.00
11	Consult	Frame, main body, left	138-1592-11	\$41.00
12	186489	Stopper, fulcrum, printer unit	138-1590-13	\$4.00
13	186490	Cover, harness, lower	138-1550-14	\$11.00
14	186491	Plate B	138-1549-10	\$3.00
15	158254	Foot, adjust	138-1751-07	\$10.00
16	182932	Spring, coil, compressive	138-1543-18	\$5.00
17	186492	Bracket, sensor, cassette	138-1544-11	\$11.00
18	184766	Dumper, rotary	138-1646-09	\$12.00
20	187266	Shaft, fulcrum, operation	138-1527-09	\$106.00
21	187267	Stay, hinge, operation	138-1529-15	\$9.00
22	186769	Bush	031-9453-01	\$4.00
23	186770	Torque limiter, one way	138-1645-05	\$47.00
24	187268	Collar, spacer	000-0415-02	\$2.00
25	162531	Case, main body, printer	138-1643-26	\$69.00
26	158255	Cover, front, printer	138-1545-15	\$9.00
27	158256	Cover, front, panel	137-0867-13	\$11.00
28	158257	Cover, connector	138-1546-19	\$6.00
29	158258	Cover, hinge, upper	138-1597-19	\$4.00
30	158259	Cover, hinge, lower	138-1598-12	\$4.00
31	158260	Sheet, switch	138-1660-01	\$8.00
32	165190	Gasket	138-1638-27	\$41.00
33	158261	Cover, pole base, front	138-1631-12	\$36.00
34	158262	Cover, pole base, rear	138-1666-12	\$59.00
100	158263	PWB P-984-1, power switch	106-1319-18	\$50.00
101	186496	AC inlet assy	137-0801-36	\$17.00
102	87532	Sensor, cassette number	064-5586-08	\$46.00
103	186416	Filter, ferrite, core	074-0771-01	\$11.00
999	119506	Power cord, 90 degree molded	089-5787-04	\$23.00
999	91178	Seal, rivet	040-9585-01	\$11.00

# Uni-9

Main Body - Short Pole



Printing Scales

# Uni-9

Main Body - DB

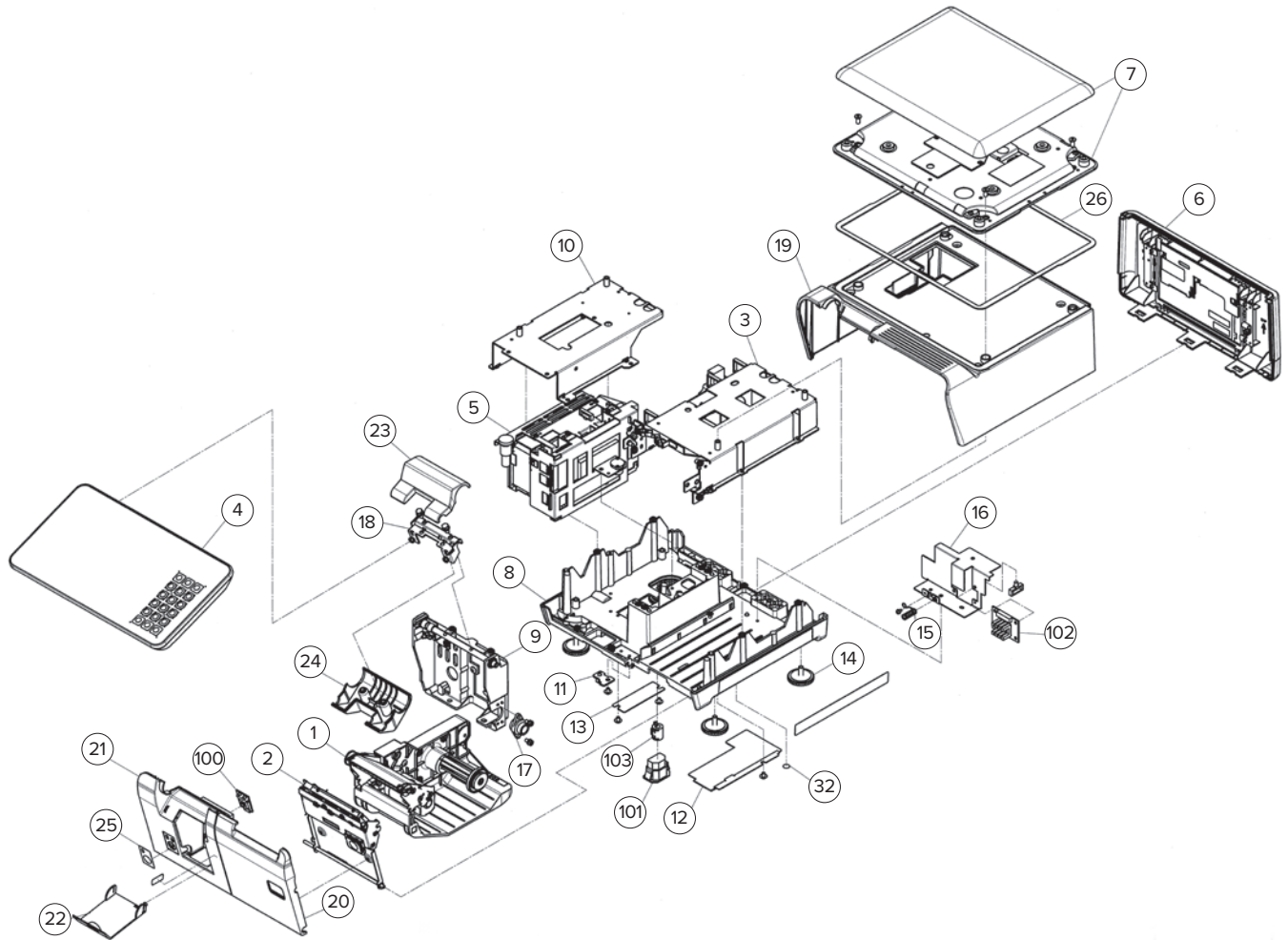


## Part Number/Price

Ref #	Part #	Description	Synonym	Price
1	155393	Cassette unit	142-6057-09	\$253.00
	159947	Cassette unit, linerless	146-5493-06	\$485.50
2	Consult	Printer unit	100-000-6494-01	Consult
3	Consult	Printer frame unit	000-138-1706-09	Consult
4	Consult	Operation unit	100-005-9845-00	Consult
5	Consult	Electric unit: Uni-9 DB	100-005-9851-00	Consult
6	Consult	Display unit	000-138-1709-00	Consult
7	Consult	Scale unit	100-000-5608-00	Consult
8	Consult	Base, main body	138-1695-01	Consult
9	Consult	Frame, main body front	138-1968-08	Consult
10	Consult	Frame, main body left	138-1592-11	Consult
11	186489	Stopper, fulcrum, printer unit	138-1590-13	\$4.00
12	186490	Cover, harness, lower	138-1550-14	\$11.00
13	186491	Plate B	138-1549-10	\$3.00
14	158254	Foot, adjust	138-1751-07	\$10.00
15	182932	Spring, coil, compressive	138-1543-18	\$5.00
16	186492	Bracket, sensor, cassette	138-1544-11	\$11.00
17	184766	Dumper, rotary	138-1646-09	\$12.00
18	186493	Stay, hinge, operation unit	138-1793-03	\$6.00
19	162421	Case, main body	138-1643-36	\$78.00
20	158255	Cover, front, printer	138-1545-15	\$9.00
21	158256	Cover, front, panel	137-0867-13	\$11.00
22	158257	Cover, connector	138-1546-19	\$6.00
23	186494	Cover, hinge, upper	138-1794-07	\$4.00
24	186495	Cover, hinge, lower	138-1795-01	\$5.00
25	158260	Sheet, switch	138-1660-01	\$8.00
26	165190	Gasket	138-1638-27	\$41.00
100	158263	PWB P-984-1, power switch	106-1319-19	\$50.00
101	186496	AC inlet assy	137-0801-36	\$17.00
102	87532	Sensor, cassette number	064-5586-08	\$46.00
103	186416	Filter, ferrite core	074-0771-01	\$11.00
999	119506	Power cord, 90 degree molded	089-5787-04	\$23.00
999	91178	Seal, rivet	040-9585-01	\$11.00
999	186497	Name plate, EMC	000-5604-00	\$6.00

# Uni-9

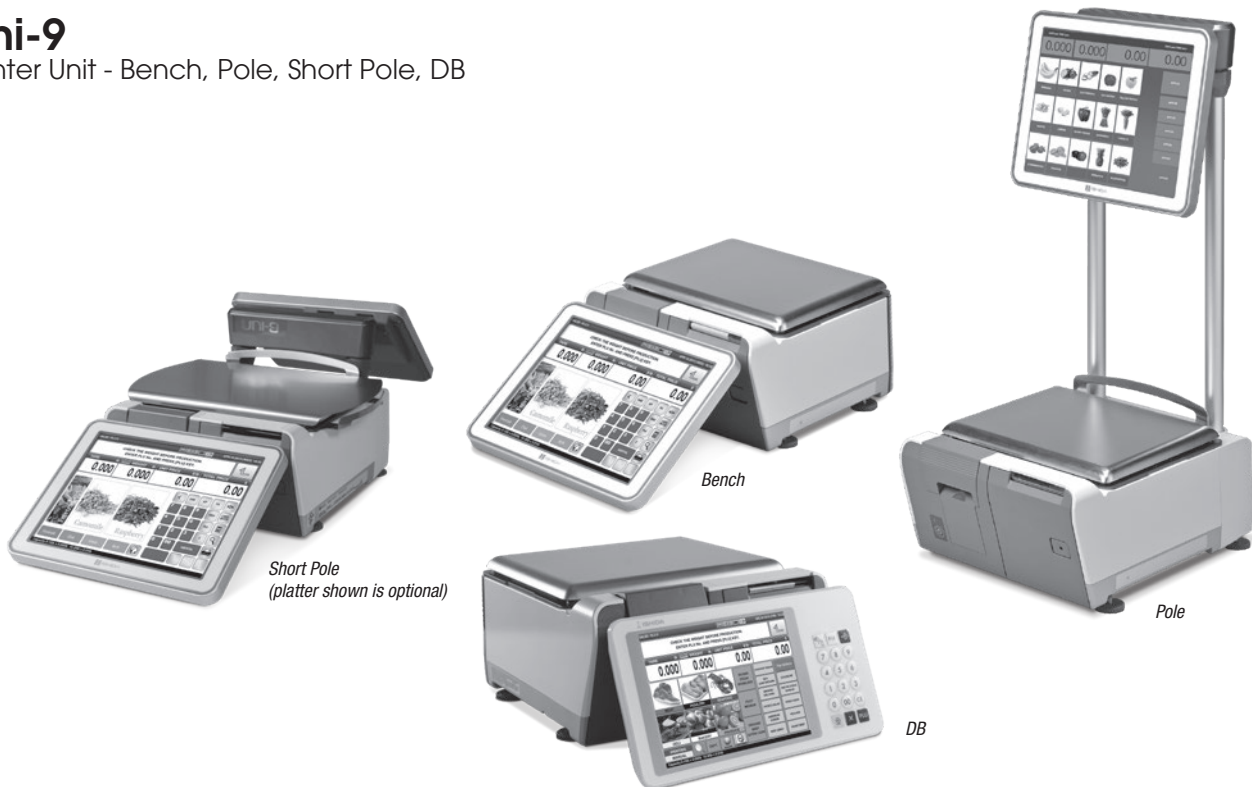
Main Body - DB



Printing Scales

# Uni-9

Printer Unit - Bench, Pole, Short Pole, DB



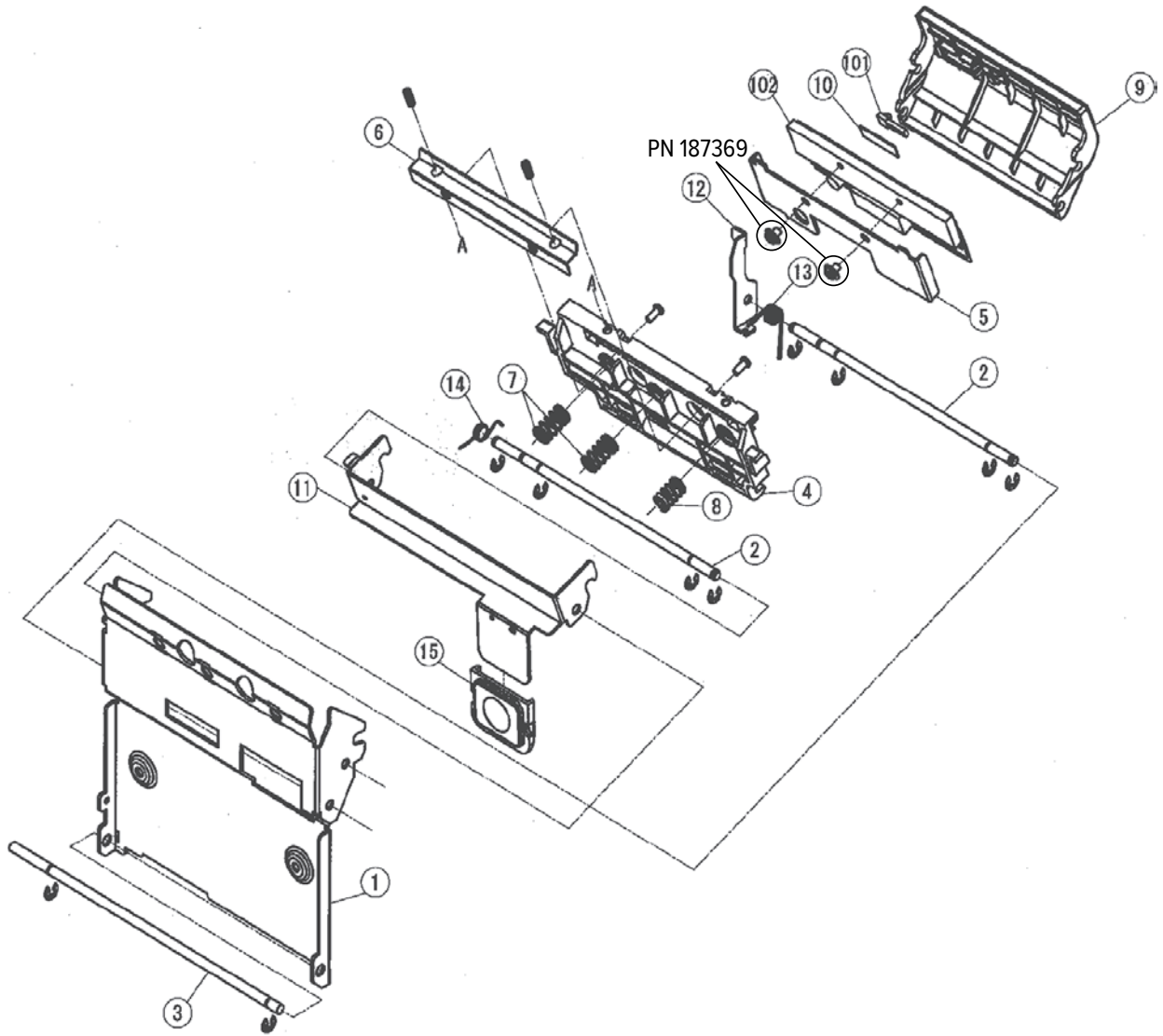
## Part Number/Price

Ref #	Part #	Description	Synonym	Price
1	192428	Frame, printer unit	137-0874-10	\$10.00
2	186524	Shaft, fulcrum, hook	138-2466-09	\$8.00
3	186525	Shaft, fulcrum, printer unit	138-2465-14	\$6.00
4	186526	Bracket head	138-2467-11	\$5.00
—	84069	Set screw, M3-0.5x8 Hex Socket	000-0468-00	\$2.00
5	182933	Stay head	137-0855-19	\$4.00
6	158270	Cutter, receipt, serrated tear bar	138-1619-26	\$5.00
—	181680	Label support, black, Z bracket	000-146-5498-03	\$71.00
—	Consult	Screw, M2.5-0.45 x 8 mm button head		Consult
—	26408	Bumper, rubber (apply to display hinge)		\$2.00
7	182934	Spring, coil, compressive	138-1652-01	\$3.00
8	182935	Spring, coil, compressive	138-1653-05	\$3.00
9	186527	Bracket, LED	137-0856-12	\$4.00
10	186528	Plate, cover, sensor	137-0864-03	\$4.00
11	182936	Hook, fix, printer unit	137-0875-13	\$9.00
12	182937	Lever, release, hook	138-1622-19	\$4.00
13	182938	Spring, coil	138-1654-09	\$2.00
14	182939	Spring, coil	138-1655-11	\$3.00
15	182940	Cap, lever	137-0876-17	\$3.00
16	186529	Accessory, clamp, flat cable	150-3050-07	\$3.00
100*	181147	Harness, C2, thermal head	137-0812-28	\$31.00
101	181148	Sensor, label gap, transmitter, C2 with harness	138-5715-25	\$12.00
	87533	Sensor, label gap, receiver without harness (sold separately)		\$43.00
102	158271	Print head, thermal	138-5871-05	\$252.00
—	187369	Screw, tapping M3x4 phillips washer head stainless steel	000-113-8429-08	\$2.00
999	186530	Filter, ferrite, core	102-3466-01	\$9.00
999	Consult	Gasket, conductive	003-0166-00	Consult
999	Consult	Gasket, conductive	002-0167-00	Consult

\* See "Electric Unit Wiring Diagram - Bench" on page 86: items 3-100

# Uni-9

Printer Unit - Bench, Pole, Short Pole, DB



Printing Scales

# Uni-9

Printer Frame - Bench, Pole, Short Pole, DB



Short Pole  
(platter shown is optional)



Bench



DB



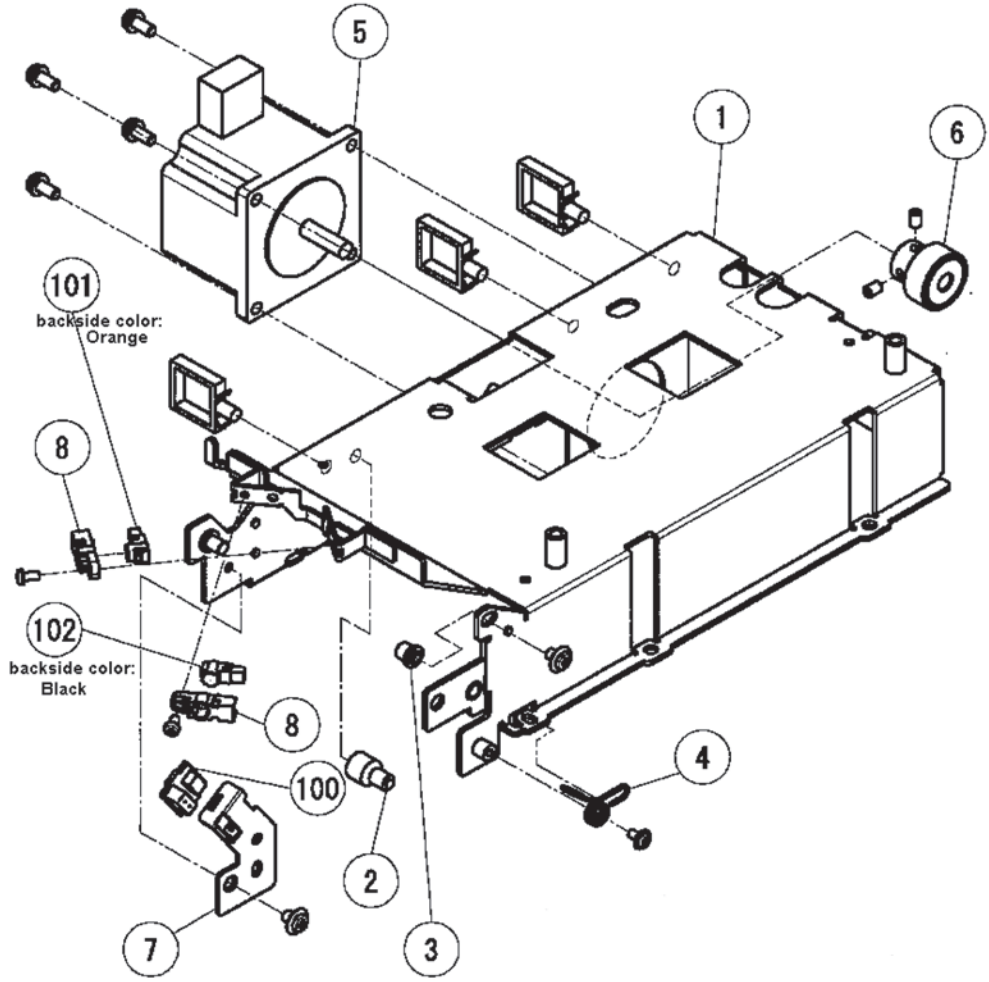
Pole

## Part Number/Price

Ref #	Part #	Description	Synonym	Price
1	Consult	Frame, printer	137-0859-22	\$58.00
2	173888	Pin, fix, cassette, left	138-1531-04	\$6.00
3	181149	Pin, fix, cassette, right	138-1532-08	\$5.00
4	181150	Spring, coil	138-1530-01	\$4.00
5	119168	Motor, stepping	089-5513-01	\$169.00
6	181151	Gear, flat	138-1596-15	\$12.00
7	186531	Bracket, sensor, label	138-1591-17	\$10.00
8	186532	Holder, sensor	137-0857-16	\$2.00
100	87533	Label gap sensor	105-5249-09	\$43.00
—	181148	Label gap sensor, transmitter, C2 with harness	138-5715-25	\$12.00
101	158272	Peel sensor, transmitter, orange	137-0791-05	\$11.00
102	158274	Peel sensor, receiver, black	137-0792-09	\$10.00

# Uni-9

Printer Frame - Bench, Pole, Short Pole, DB



Printing Scales

# Uni-9

Operation Unit - Bench, Pole, Short Pole



Short Pole  
(platter shown is optional)



Bench



Pole

## Part Number/Price

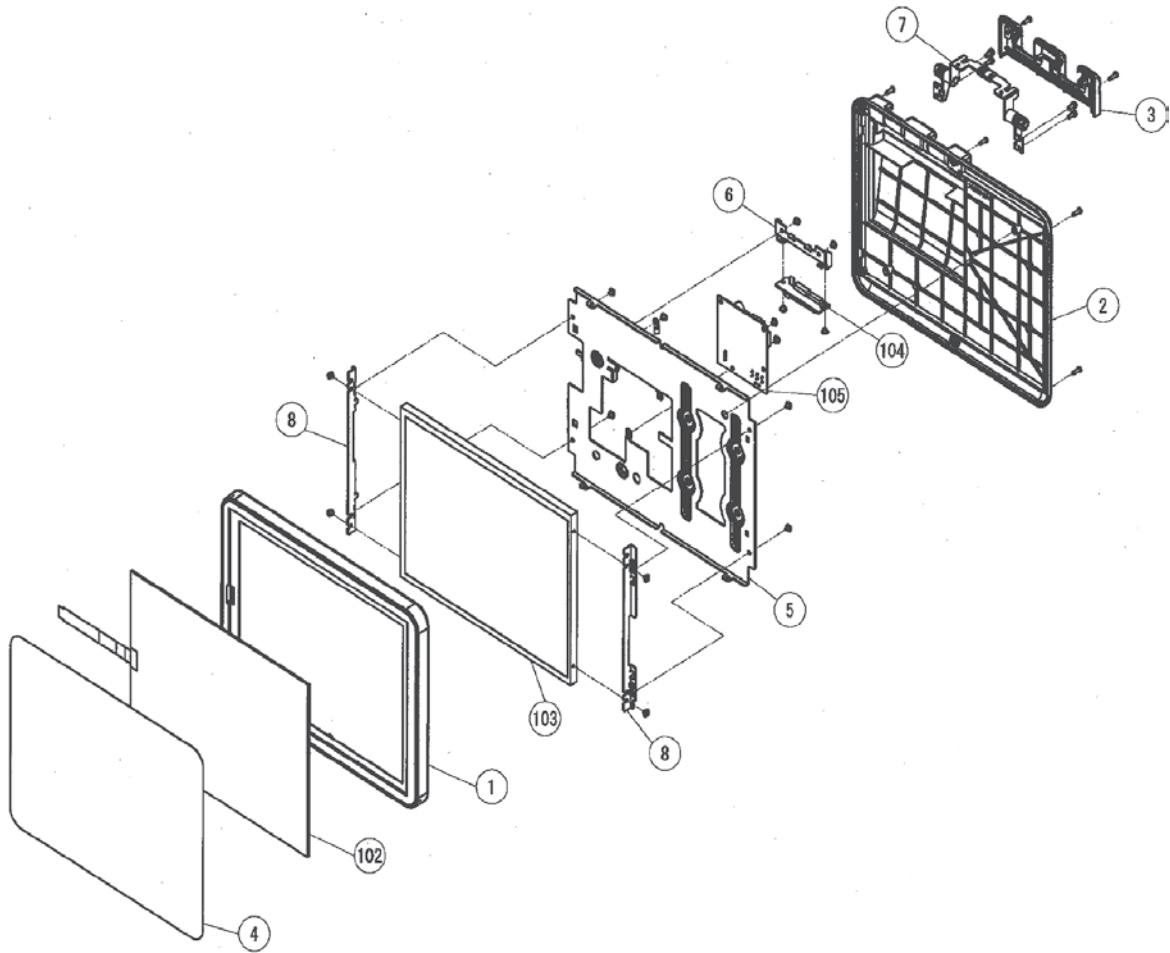
Ref #	Part #	Description	Synonym	Price
1	158284	Case, controller, front	138-1651-08	\$42.00
2	179707	Case, controller, rear	138-2461-10	\$34.00
3	181192	Cover, display, connector	138-2462-13	\$6.00
4	158275	Sheet, display, white	138-1658-03	\$47.00
5	195422	Frame, operation	138-2464-11	\$28.00
6	185541	Bracket, board, junction	138-2444-16	\$5.00
7	181193	Hinge assy, torque	138-1528-21	\$37.00
8	187271	L plate B, display	138-2463-17	\$8.00
100*	187274	Harness, C2, touch panel	139-2707-12	\$11.00
101*	187275	Harness, C5, LCD**	100-050-7520-00	\$87.00
102	171883	Touch panel, analog	135-4851-14	\$229.00
103	206535	Display, LCD, TFT	135-4850-11	\$557.00
104	87519	PWB P-985, display harness junction board	102-3034-15	\$50.00
105	158279	PWB P-1118, display controller	138-5945-07	\$42.00

\* See "Electric Unit Wiring Diagram - Bench" on page 86: items 5-100 and 5-101

\*\* Updated harness 101 requires new clamp p/n 000-144-5937-07

# Uni-9

Operation Unit - Bench, Pole, Short Pole



Printing Scales

# Uni-9

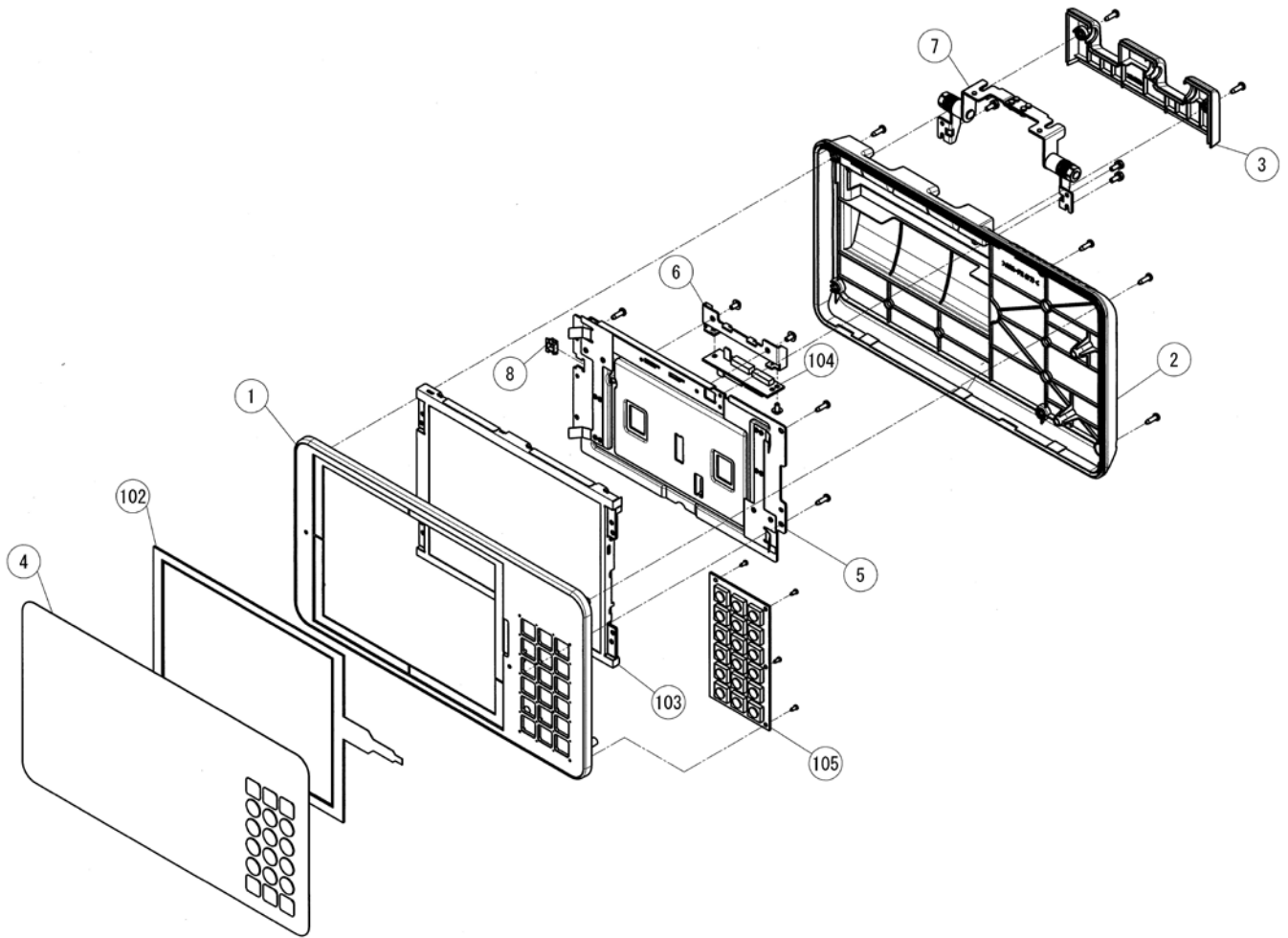
Operation Unit - DB



## Part Number/Price

Ref #	Part #	Description	Synonym	Price
1	185536	Case, controller, front	000-138-1788-04	\$19.00
2	185537	Case, controller, rear	000-138-1789-08	\$29.00
3	185538	Cover, display, connector	000-138-1790-02	\$5.00
4	185539	Sheet, display	100-005-0797-00	\$87.00
5	185540	Frame, operation	000-138-1792-00	\$21.00
6	185541	Bracket, board, junction	138-2444-16	\$5.00
7	185542	Hinge assy, torque	000-141-9508-05	\$47.00
8	185543	Accessory, fastener, edge saddle	106-7324-00	\$2.00
100*	185544	Harness, C2, display, internal	138-5922-39	\$13.00
101*	185545	Harness, C4, LCD, internal	140-7163-28	\$75.00
102	87529	Touch panel, analog	091-8918-25	\$120.00
103	185546	Display, LCD, TFT	142-1591-03	\$506.00
104	87519	PWB P-985 display harness junction board	102-3034-15	\$50.00
105	87525	PWB P-981-2, tactile keyboard	100-8470-10	\$80.00
112	182931	Harness, C5, customer display	100-050-7519-00	\$90.00

\* See "Electric Unit Wiring Diagram - Uni-9 DB" on page 93: items 5-100 and 5-101



Printing Scales

# Uni-9

Scale Unit - Bench, Pole, Short Pole, DB

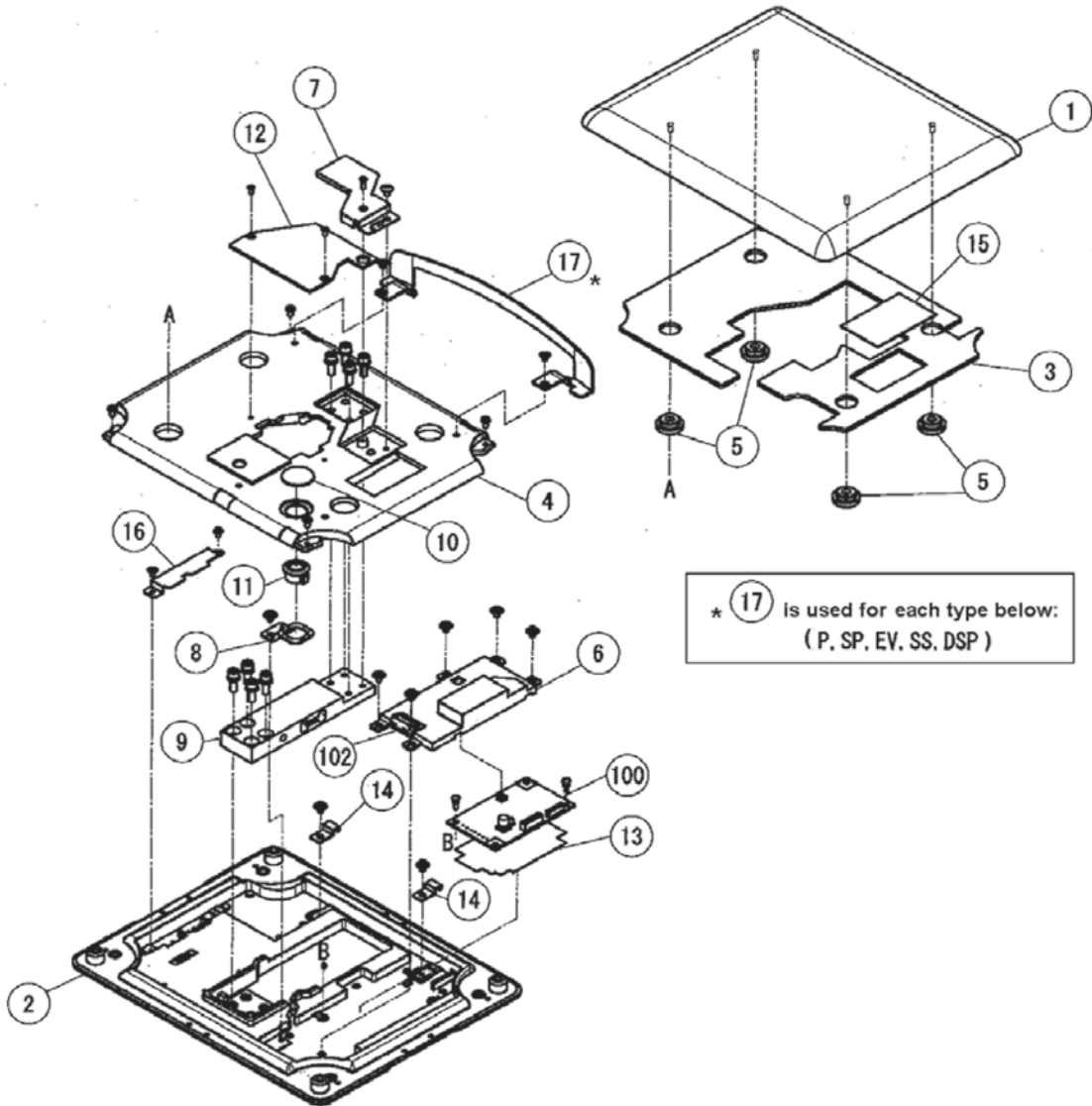


## Part Number/Price

Ref #	Part #	Description	Synonym	Price
1	158286	Weigh platter, product lip and backstop integrated	137-0903-14	\$96.00
	171675	Weight dish (DB)	000-5609-02	\$203.00
2	186535	Base	138-1755-01	\$113.00
3	186536	Sheet, cushion	138-1767-15	\$25.00
4	186537	Weight platter support	137-0908-12	\$59.00
5	182928	Support rubber	137-0905-11	\$2.00
6	187250	Cover, PWB, P-1111	137-0910-11	\$5.00
7	186538	Cover, lock	137-0907-19	\$9.00
8	186487	Bracket, level	137-0975-12	\$4.00
9	158287	Load cell, ULC-25L	138-1671-02	\$277.00
10	186539	Plate, window	137-0981-15	\$8.00
11	186488	Level as, bubble, window	019-3912-02	\$25.00
12	186541	Plate B, heat insulator	137-0906-15	\$8.00
13	186542	Sheet, insulator, P-1111	137-0912-18	\$4.00
14	186543	Clamp, harness	137-0980-11	\$3.00
15	186544	Sheet, cover, support	138-1614-19	\$16.00
16	186545	Cover, harness	138-1618-13	\$4.00
17	166709	Guide, weight platter	137-0979-08	\$71.00
100	158288	PWB P-1111A-1, A/D board	139-2566-05	\$439.00
102	186547	Filter, ferrite	044-2730-09	\$11.00
999	186546	Harness, C2, scale COM	137-0803-42	\$55.00
999	42735	Seal, with wire	022-3922-08	\$3.00
999	41811	Screw, sealing	005-4497-09	\$12.00

# Uni-9

Scale Unit - Bench, Pole, Short Pole, DB



Printing Scales

# Uni-9

Cassette Unit - Bench, Pole, Short Pole, DB



Short Pole  
(platter shown is optional)



Bench



DB



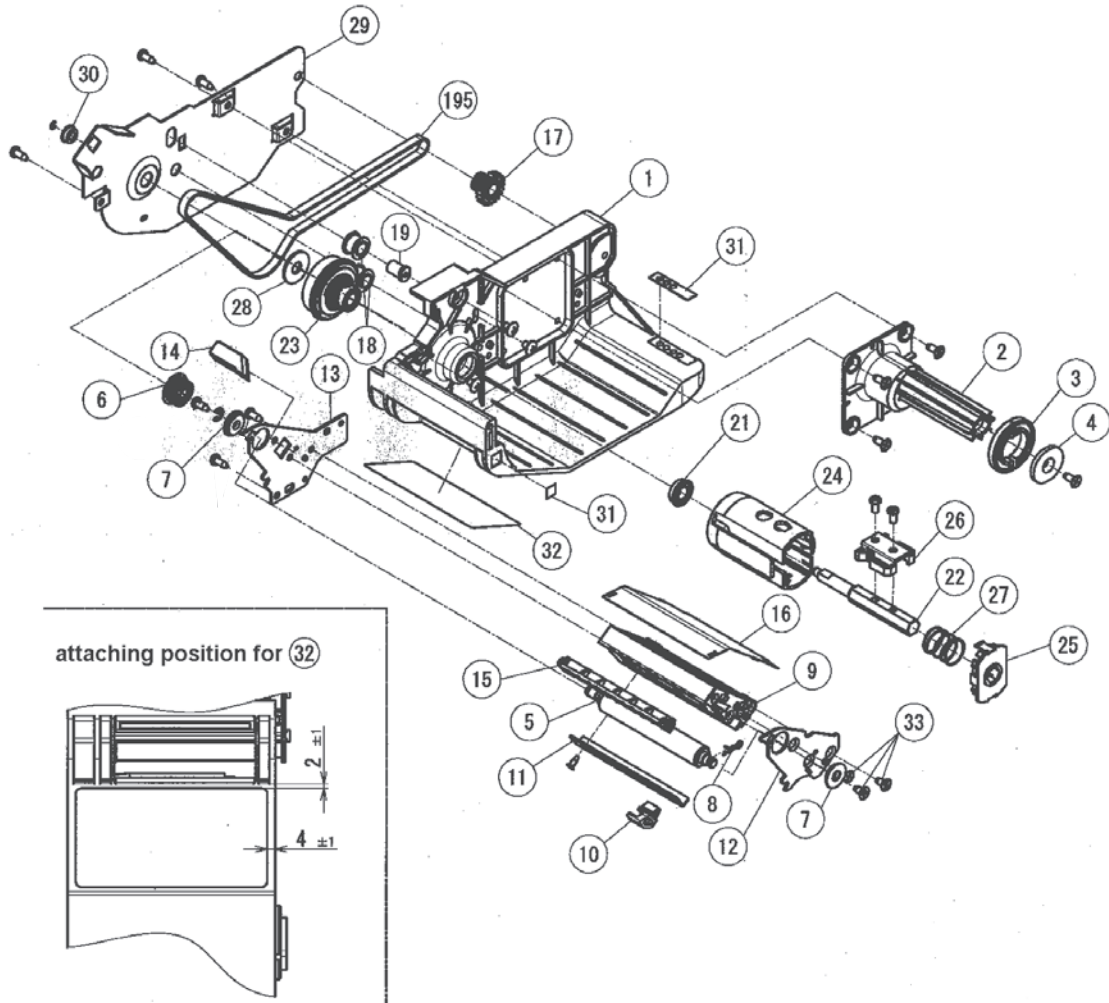
Pole

## Part Number/Price

Ref #	Part #	Description	Synonym	Price
ASSY	<b>155393</b>	Cassette unit, Uni-9, complete assembly	142-6057-09	\$253.00
1	<b>182006</b>	Main body, cassette	138-1535-09	\$31.00
2	<b>181135</b>	Holder, label roll	138-1553-06	\$28.00
3	<b>181136</b>	Guide, label roll, green	138-1555-03	\$24.00
4	<b>181137</b>	Stopper, guide, label roll	138-1558-04	\$24.00
5	<b>163028</b>	Roller, printer	138-1538-19	\$84.00
6	<b>175372</b>	Timing pulley, S2M	138-1585-05	\$16.00
7	<b>181138</b>	Bush, flange	138-1536-02	\$39.00
8	<b>181139</b>	Snap pin	005-8596-09	\$2.00
9	<b>182007</b>	Frame, holder, roller	138-1551-09	\$9.00
10	<b>181140</b>	Guide, label, green	138-1559-08	\$16.00
11	<b>182036</b>	L plate B, guide, label	138-1583-08	\$10.00
12	<b>182037</b>	Plate B, holder, platen, right	138-1582-04	\$23.00
13	<b>182038</b>	Plate B, holder, platen, left	138-1537-06	\$25.00
14	<b>182039</b>	Block B, prism	138-1557-01	\$20.00
15	<b>182041</b>	Block B, peel, label	137-0862-06	\$6.00
16	<b>182043</b>	Cover, platen, dip proof	138-1584-01	\$20.00
17	<b>175375</b>	Timing pulley, S2M, with gear	138-1586-09	\$14.00
18	<b>181141</b>	Pulley, idler	138-1556-07	\$54.00
19	<b>181142</b>	Shaft, fulcrum, pulley	138-1534-05	\$20.00
21	<b>172635</b>	Bearing, radial	000-3727-05	\$14.00
22	<b>181143</b>	Shaft, wind, bobbin	138-1552-02	\$51.00
23	<b>181144</b>	Torque limiter	138-2000-07	\$51.00
24	<b>162104</b>	Bobbin, roll	089-5550-09	\$4.00
25	<b>167494</b>	Cover, roll	089-5551-02	\$2.00
26	<b>162102</b>	Stopper, holder, labeler	089-5554-03	\$2.00
27	<b>162103</b>	Spring, coil, compression	089-5560-06	\$4.00
28	<b>181145</b>	Plain washer, large	016-6124-03	\$2.00
29	<b>182046</b>	Cover, cassette	138-1554-00	\$47.00
—	<b>187367</b>	Tapping screw, plus, M4x8 stainless steel	000-075-1405-09	\$2.00
30	<b>93342</b>	Bush	064-0058-19	\$4.00
31	<b>182045</b>	Decal, cassette, No. 1	065-1664-26	\$12.00
	<b>93235</b>	Decal, cassette, No. 2-7	065-1755-21	\$5.00
32	<b>182051</b>	Name plate, explanation	141-6262-09	\$4.00
195	<b>181146</b>	Timing belt, S2M	138-1587-02	\$66.00

# Uni-9

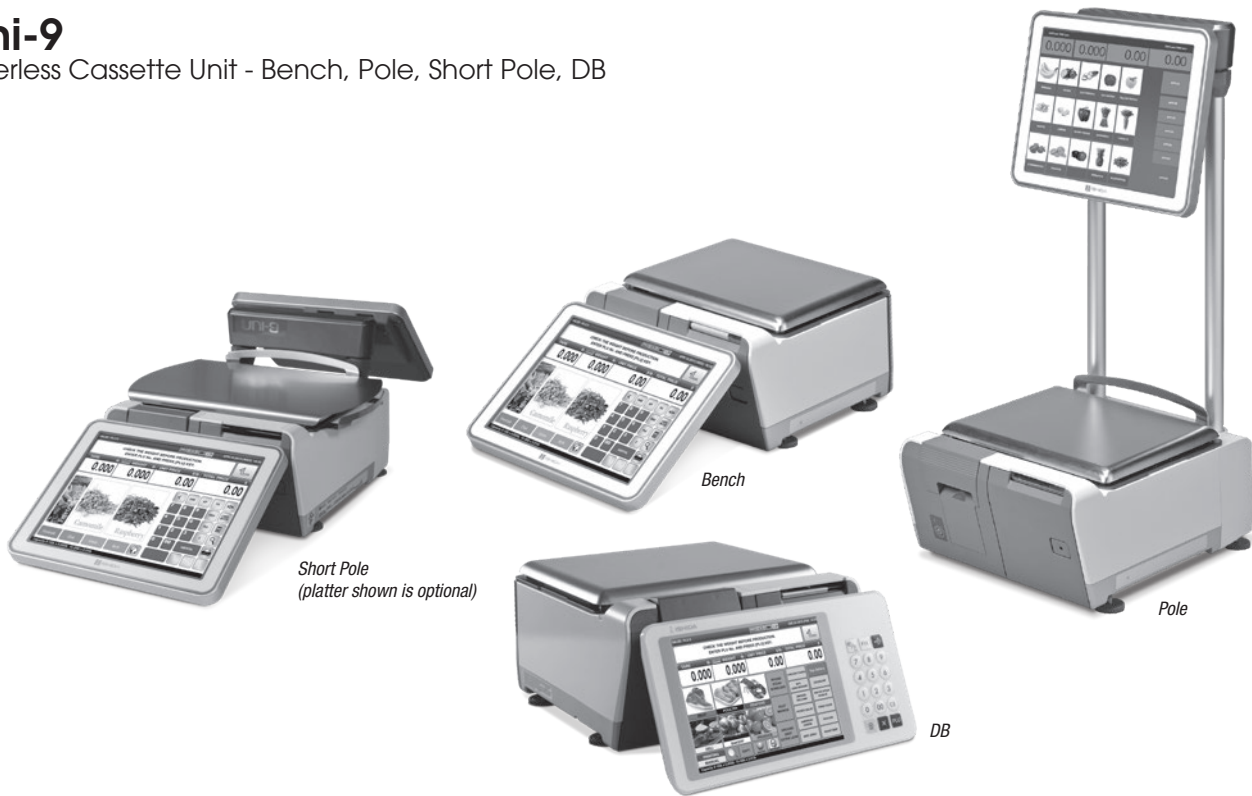
Cassette Unit - Bench, Pole, Short Pole, DB



Printing Scales

# Uni-9

Linerless Cassette Unit - Bench, Pole, Short Pole, DB

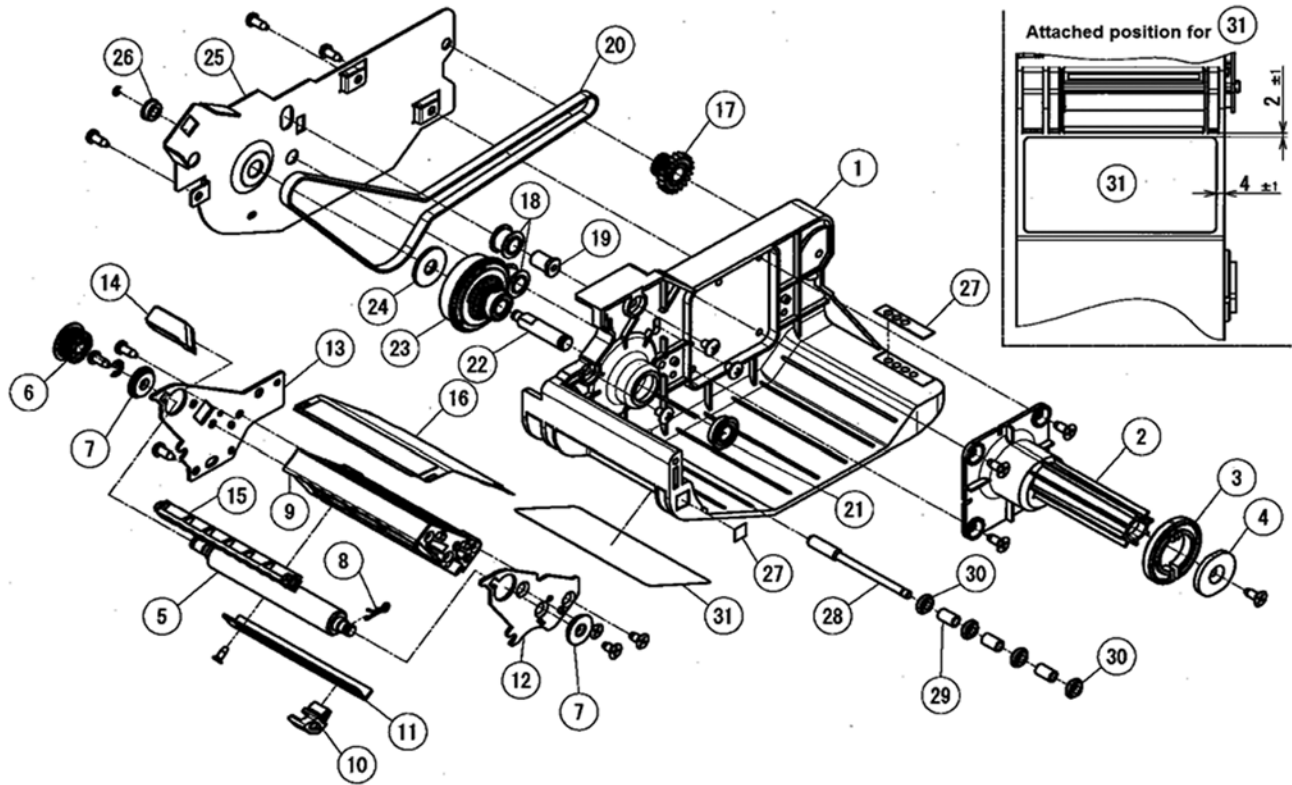


## Part Number/Price

Ref #	Part #	Description	Synonym	Price
ASSY	<b>159947</b>	Cassette unit, linerless, Uni-9, complete assembly	000-146-5493-05	\$485.50
1	<b>182006</b>	Cassette main body	000-138-1535-09	\$31.00
2	<b>181135</b>	Holder, label roll	000-138-1553-06	\$28.00
3	<b>181136</b>	Guide, label roll	000-138-1555-03	\$24.00
4	<b>181137</b>	Stopper, guide, label roll	000-138-1558-04	\$24.00
5	<b>182054</b>	Roller, printer	100-014-0980-00	\$162.00
6	<b>175372</b>	Timing pulley, S2M	000-138-1585-05	\$16.00
7	<b>181138</b>	Bush, flange	000-138-1536-02	\$39.00
8	<b>181139</b>	Snap pin	000-005-8596-09	\$2.00
9	<b>182008</b>	Frame, holder, roller	000-138-1648-06	\$103.00
10	<b>181140</b>	Guide, label	000-138-1559-08	\$16.00
11	<b>182035</b>	L plate B, guide, label	000-142-1771-07	\$103.00
12	<b>182037</b>	Plate B, holder, platen, right	000-138-1582-04	\$23.00
13	<b>182038</b>	Plate B, holder, platen, left	000-138-1537-06	\$25.00
14	<b>182039</b>	Block B, prism	000-138-1557-01	\$20.00
15	<b>182040</b>	Block B, peel, label	000-138-1649-00	\$99.00
16	<b>182042</b>	Cover, platen, wp	000-146-5495-03	\$440.00
17	<b>175375</b>	Timing pulley, S2M, with gear	000-138-1586-09	\$14.00
18	<b>181141</b>	Pulley, idler	000-138-1556-07	\$54.00
19	<b>181142</b>	Shaft, fulcrum, pulley	000-138-1534-05	\$20.00
20	<b>181146</b>	Timing belt, S2M	000-138-1587-02	\$66.00
21	<b>172635</b>	Bearing, radial	000-000-3727-05	\$14.00
22	<b>182044</b>	Shaft, reel	000-138-1588-06	\$17.00
23	<b>181144</b>	Torque, limiter	000-138-2000-07	\$51.00
24	<b>181145</b>	Plain washer, large	000-016-6124-03	\$2.00
25	<b>182046</b>	Cover, cassette	000-138-1554-00	\$47.00
26	<b>93342</b>	Bush	000-064-0058-19	\$4.00
27	<b>182045</b>	Decal, cassette, No. 1	000-065-1664-26	\$12.00
	<b>93235</b>	Decal, cassette, No. 2-7	000-065-1755-21	\$5.00
28	<b>182047</b>	Shaft, roller, guide	000-132-2392-12	\$46.00
29	<b>45510</b>	Collar	000-003-4854-01	\$4.00
30	<b>157891</b>	Roller, label, hold	000-079-8591-03	\$4.00
31	<b>182050</b>	Name plate, explanation	000-141-6263-02	\$21.00
999	<b>182052</b>	Damper	100-003-8245-00	\$2.00

# Uni-9

Linerless Cassette Unit - Bench, Pole, Short Pole, DB



Printing Scales

# Uni-9

Electric Unit and Wiring Diagram - Bench



## Part Number/Price

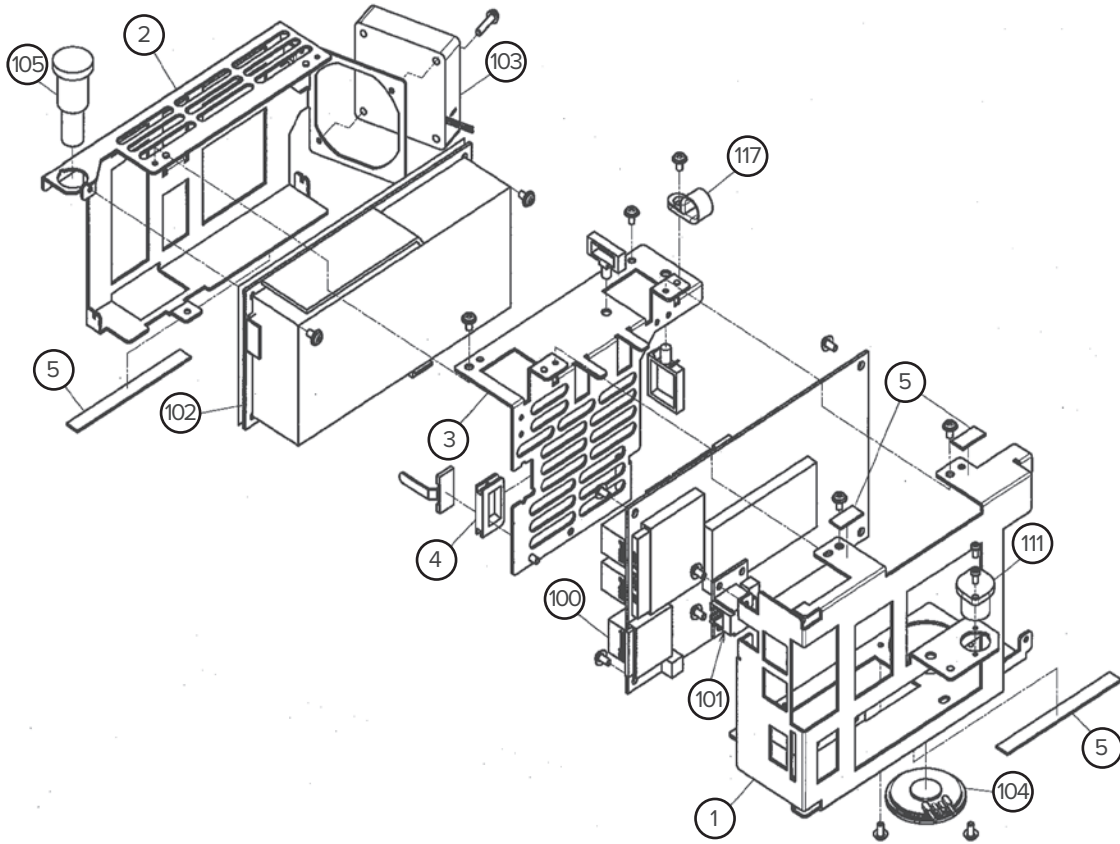
Ref #	Part #	Description	Synonym	Price
1	Consult	Bracket, PWB	137-0872-12	\$16.00
2	Consult	Bracket, PS	137-0871-28	\$10.00
3	182929	Guide, harness	138-1542-23	\$10.00
4	186510	Accessory, fastener, edge, saddle	064-0360-05	\$3.00
5	186511	Gasket	141-6196-06	\$4.00
100	158280	PWB P-1100A, CPU	141-6280-24	\$1,744.00
—	200243	CF card, SSD with OS, Uni-9/Uni-9H		\$379.00
—	220973	PWB P-1100D CFast, CPU, [S] from SN 100649661		\$2,013.00
—	220974	CFast card SSD with OS, Uni-9, Uni-9H [S] from SN 100649661		\$443.00
101	158281	PWB P-1117, cash drawer relay board	138-5925-02	\$22.00
102	154777	Power supply, switching	138-5941-02	\$161.00
103	181152	Fan assy	141-6085-15	\$74.00
104	181153	Speaker assy	140-7073-26	\$28.00
105	186512	Fuse holder assy	138-5697-21	\$40.00
106*	125707	Fuse, glass tube	069-2407-00	\$6.00
107*	186513	Harness, C3, power supply	137-0804-37	\$12.00
108*	186514	Harness, C6, sensors	137-0813-40	\$29.00
109*	186515	Harness, C3, printer motor	138-5939-22	\$14.00
110*	186518	Harness, S2, power switch	137-0798-38	\$9.00
111	182930	Harness, C6, internal/remote scale**	100-050-7521-00	\$40.00
112*	182931	Harness, C5, to customer display**	100-050-7519-00	\$90.00
113*	176788	Harness, C6, to operator display**	100-050-7521-00	\$125.00
114*	186520	Harness, S1, jumper	133-8499-16	\$8.00
115*	186521	Filter, ferrite core	072-2454-03	\$12.00
116*	186522	Filter, ferrite core	096-9524-03	\$11.00
117	186523	Accessory, clamp, shield	000-144-5937-07	\$4.00
999	119506	Power cord, 90 degree molded	089-5787-04	\$23.00
<b>Wi-Port and Wireless Options</b>				
999	119159	Antenna, WiFi, black, for WiPort	000-089-5639-06	\$89.00
999	165194	Antenna, bracket, hidden	000-5592-00	\$19.00
999	215289	RF Wireless card, 5 GHZ & 2.4 GHZ, SX-590	000-089-7989-07	\$643.00

\* See "Electric Unit Wiring Diagram - Bench" on page 86: items 2-106 to 2-116

\*\* Updated harnesses 112 and 113 require new clamp p/n 000-144-5937-07

# Uni-9

Electric Unit and Wiring Diagram - Bench

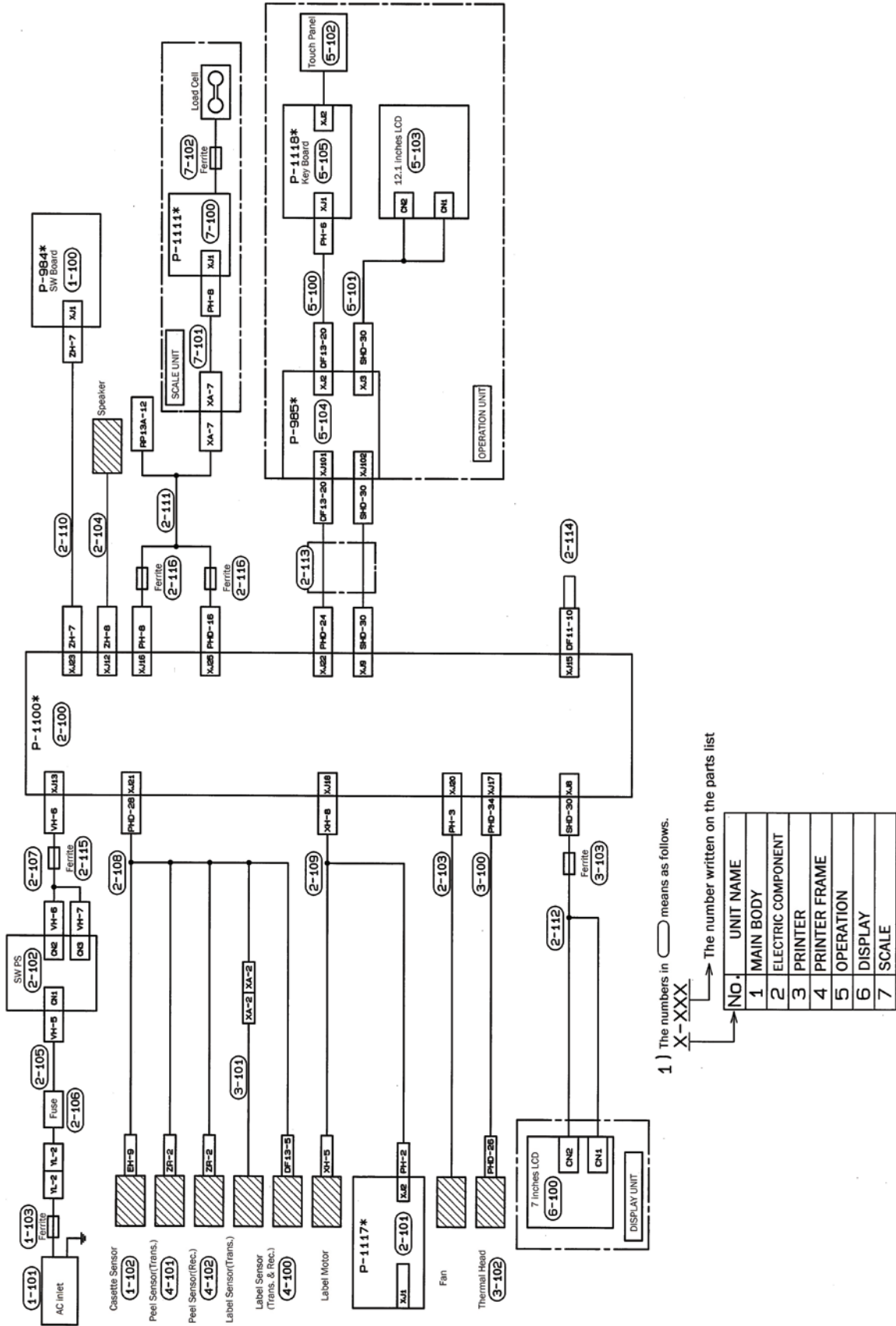


Printing Scales

# Uni-9

## Electric Unit Wiring Diagram - Bench

### Printing Scales



1) The numbers in means as follows.

X-XXX

→ The number written on the parts list

No.	UNIT NAME
1	MAIN BODY
2	ELECTRIC COMPONENT
3	PRINTER
4	PRINTER FRAME
5	OPERATION
6	DISPLAY
7	SCALE



# Uni-9

Electric Unit and Wiring Diagram - Pole, Short Pole



Short Pole  
(platter shown is optional)

Pole

## Part Number/Price

Ref #	Part #	Description	Synonym	Price
1	Consult	Bracket, PWB	137-0872-12	\$16.00
2	Consult	Bracket, PS	137-0871-28	\$10.00
3	182929	Guide, harness	138-1542-23	\$10.00
4	186510	Accessory, fastener, edge, saddle	064-0360-05	\$3.00
5	186511	Gasket	141-6196-06	\$4.00
100	158280	PWB P-1100A, CPU	141-6280-24	\$1,744.00
—	200243	CF card, SSD with OS, Uni-9/Uni-9H		\$379.00
101	158281	PWB P-1117, cash drawer relay board	138-5925-02	\$22.00
102	154777	Power supply, switching	138-5941-02	\$161.00
103	181152	Fan assy	141-6085-15	\$74.00
104	181153	Speaker assy	140-7073-26	\$28.00
105	186512	Fuse holder assy	138-5697-21	\$40.00
106*	125707	Fuse, glass tube	069-2407-00	\$6.00
107*	186513	Harness, C3, power supply	137-0804-37	\$12.00
108*	186514	Harness, C6, sensors	137-0813-40	\$29.00
109*	186515	Harness, C3, printer motor	138-5939-22	\$14.00
110*	186518	Harness, S2, power switch	137-0798-38	\$9.00
111*	182930	Harness, C6, internal/remote scale***	100-050-7521-00	\$40.00
112*	176788	Harness, C6, operator display***	100-050-7521-00	\$125.00
113**	Consult	Harness, C4, customer display junction (short pole)	138-5717-31	\$90.00
113*	Consult	Harness, C4, customer display junction (pole)	141-6126-14	Consult
114*	186520	Harness, S1, jumper	133-8499-16	\$8.00
115*	186521	Filter, ferrite core	072-2454-03	\$12.00
116*	186522	Filter, ferrite core	096-9524-03	\$11.00
117	186523	Accessory, clamp, shield	000-144-5937-07	\$4.00
999	119506	Power cord, 90 degree molded	089-5787-04	\$23.00
<b>Wi-Port and Wireless Options</b>				
999	119159	Antenna, WiFi, black, for WiPort	000-089-5639-06	\$89.00
999	165194	Antenna, bracket, hidden	000-5592-00	\$19.00
999	215289	RF Wireless card, 5 GHZ & 2.4 GHZ, SX-590	000-089-7989-07	\$643.00

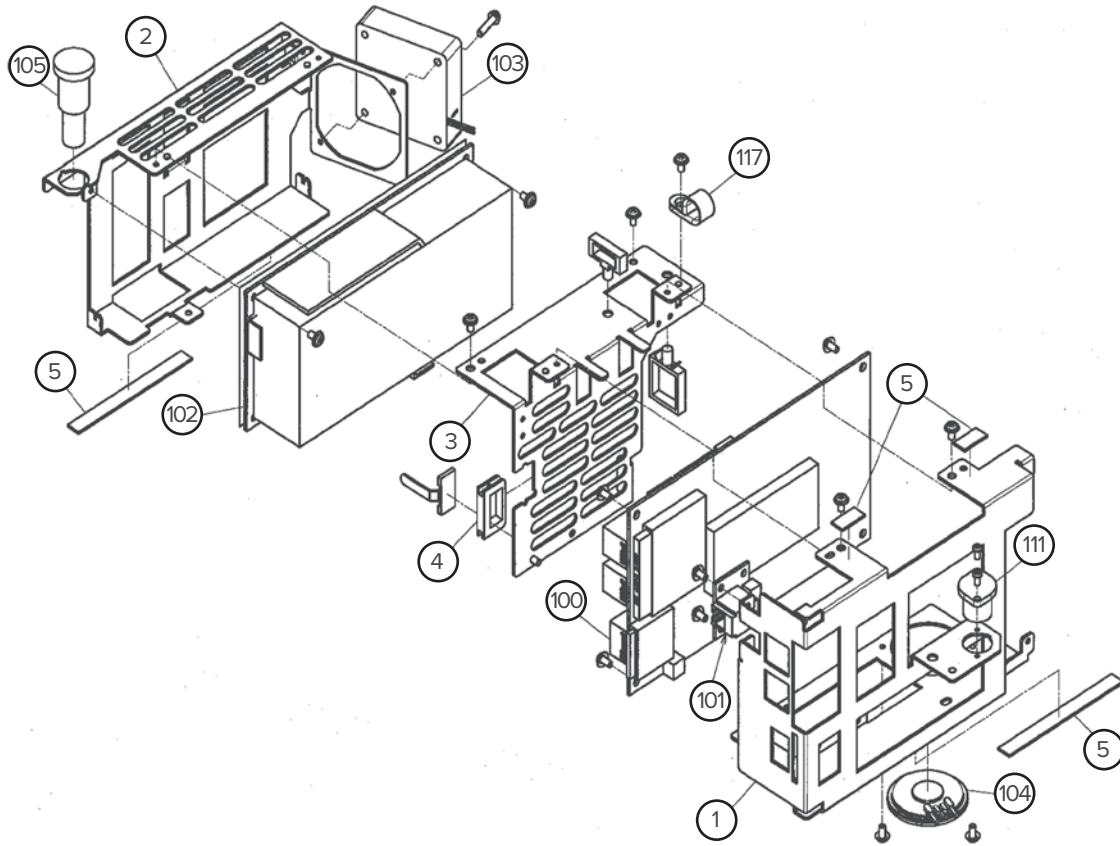
\* See "Electric Unit Wiring Diagram - Pole" on page 90: items 2-106 to 2-116

\*\* See "Electric Unit Wiring Diagram - Short Pole" on page 91: item 2-113

\*\*\* Updated harness 112 requires new clamp p/n 000-144-5937-07

# Uni-9

## Electric Unit and Wiring Diagram - Pole, Short Pole

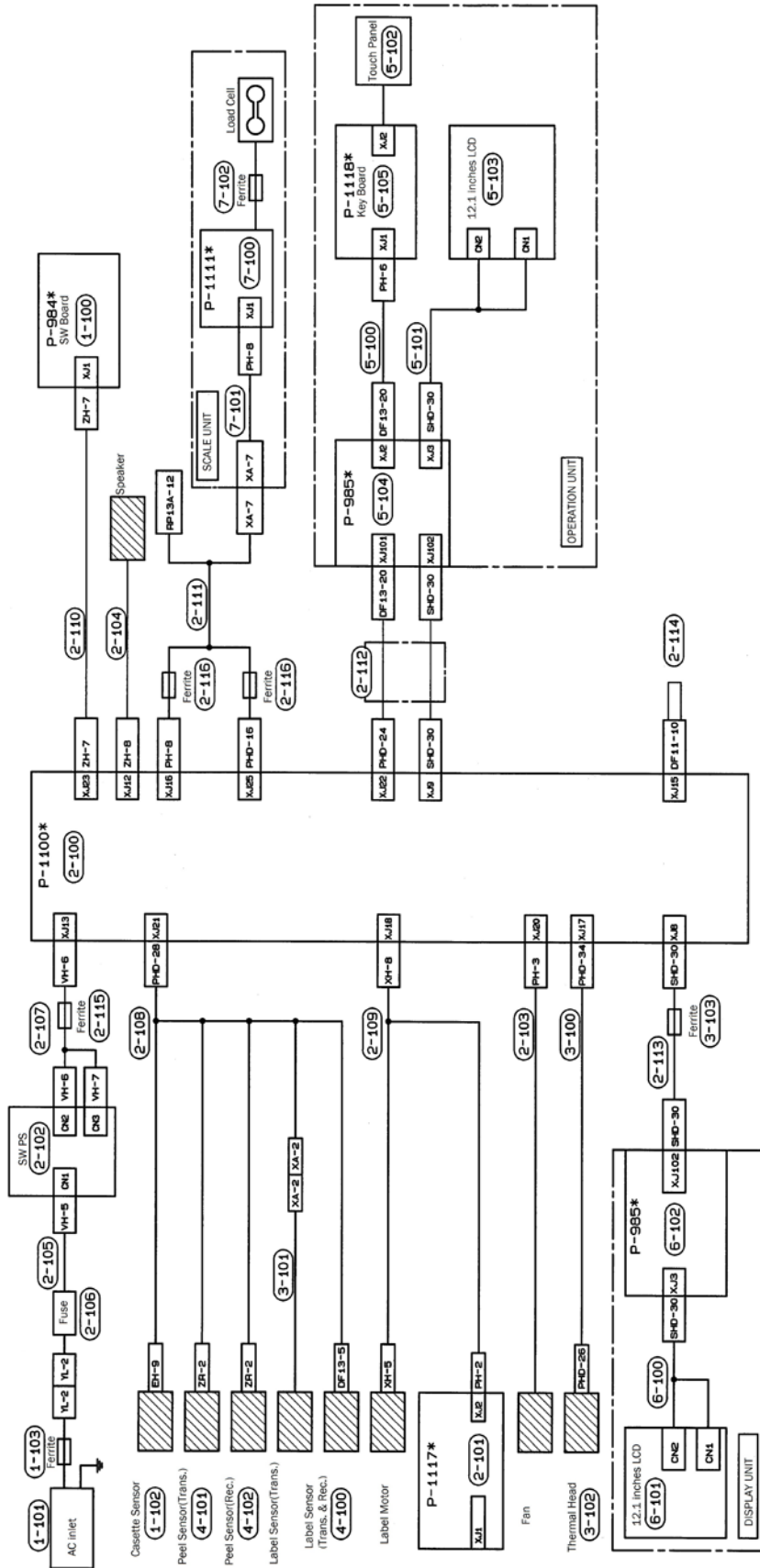


Printing Scales

# Uni-9

## Electric Unit Wiring Diagram - Pole

### Printing Scales

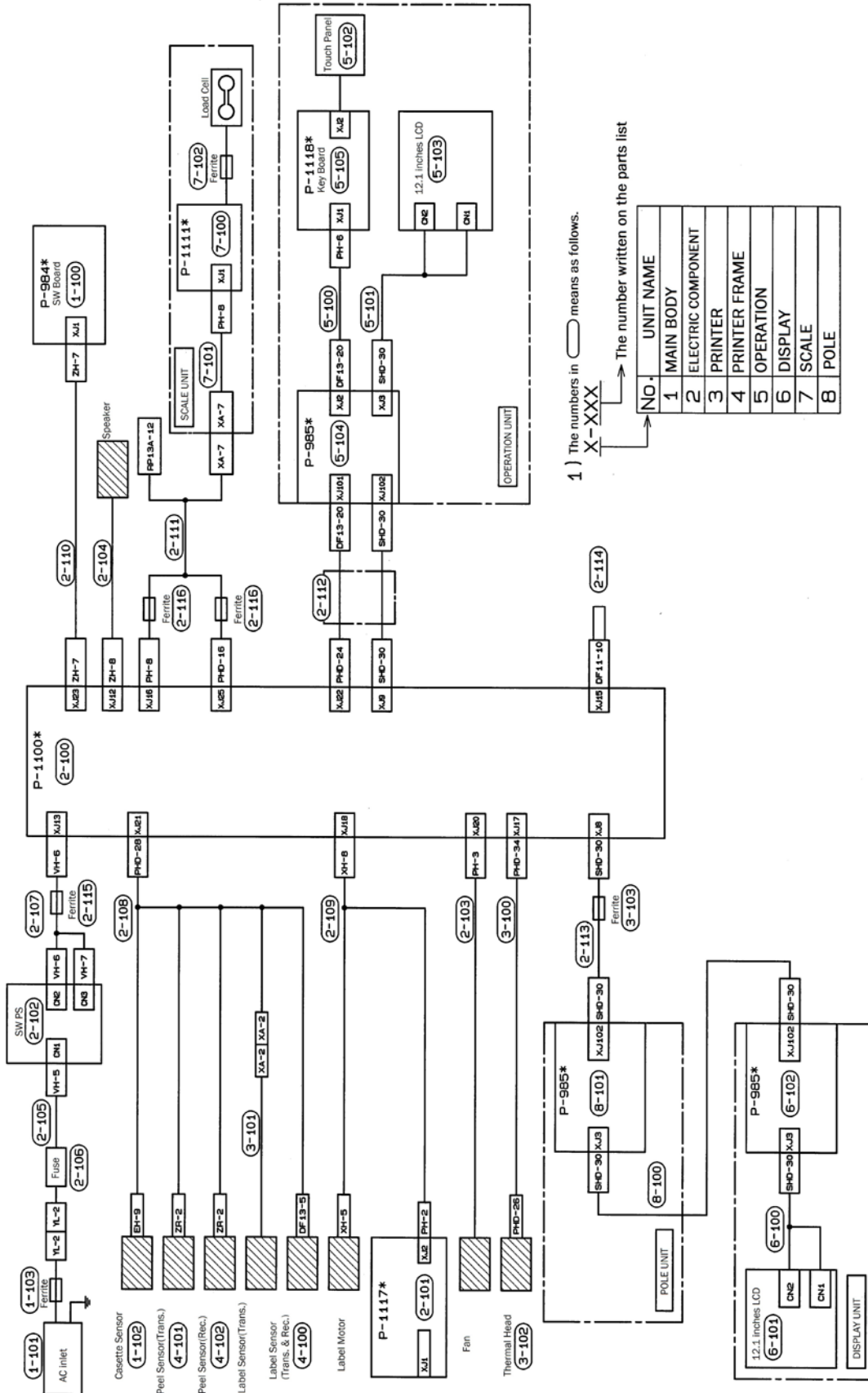


1 ) The numbers in    means as follows.

X-XXX

→ The number written on the parts list

No.	UNIT NAME
1	MAIN BODY
2	ELECTRIC COMPONENT
3	PRINTER
4	PRINTER FRAME
5	OPERATION
6	DISPLAY
7	SCALE



1) The numbers in means as follows.  
 X-XXX → The number written on the parts list

No.	UNIT NAME
1	MAIN BODY
2	ELECTRIC COMPONENT
3	PRINTER
4	PRINTER FRAME
5	OPERATION
6	DISPLAY
7	SCALE
8	POLE

# Uni-9

Electric Unit and Wiring Diagram - DB



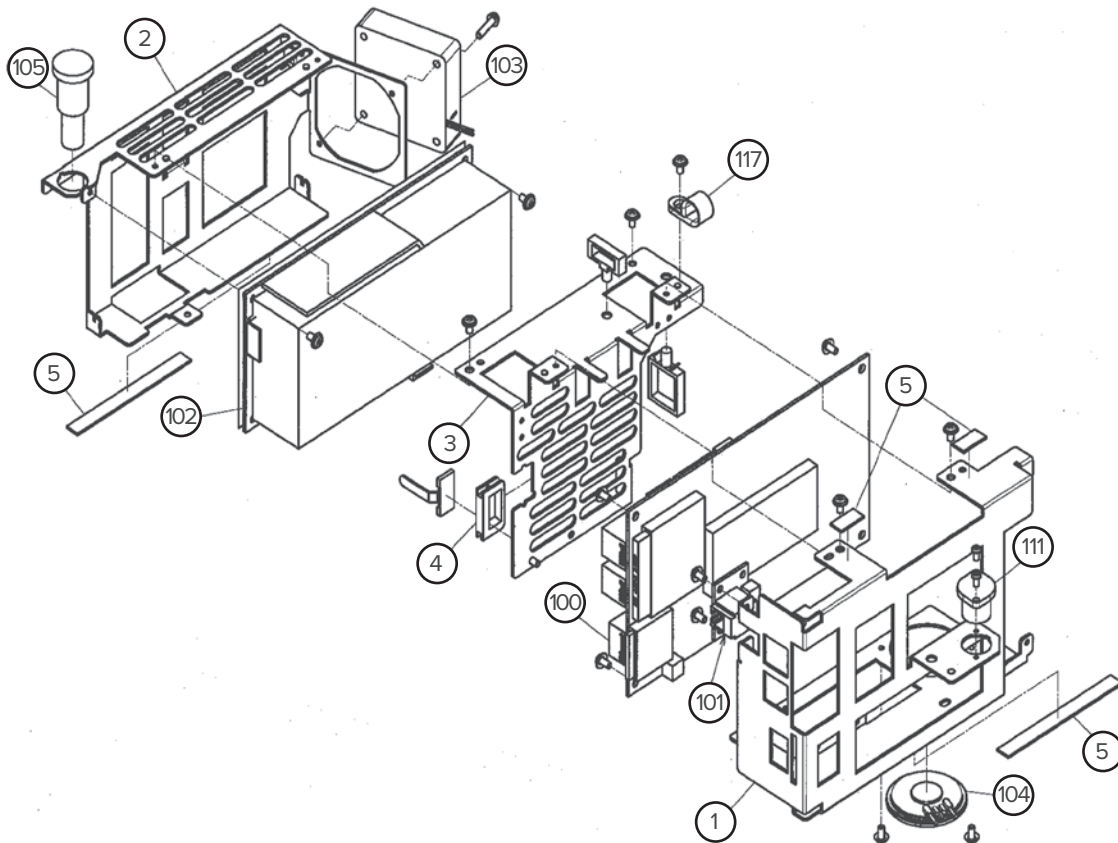
## Part Number/Price

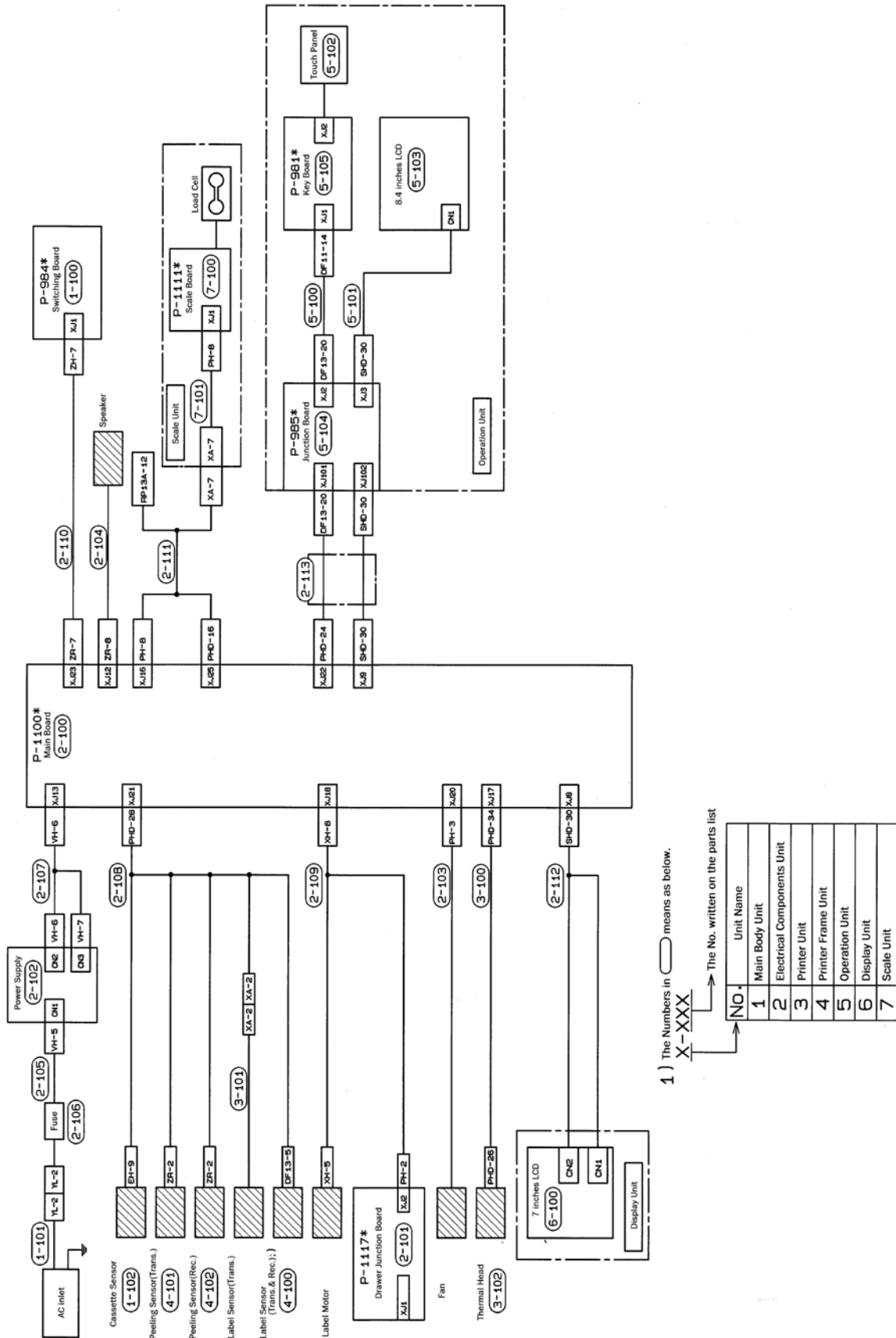
Ref #	Part #	Description	Synonym	Price
1	Consult	Bracket, PWB	137-0872-12	\$16.00
2	Consult	Bracket , PS	137-0871-28	\$10.00
3	182929	Guide, harness	138-1542-23	\$10.00
4	186510	Accessory, fastener, edge, saddle	064-0360-05	\$3.00
5	186511	Gasket	141-6196-06	\$4.00
100	158280	PWB P-1100A, CPU	141-6280-26	\$1,744.00
—	200246	CF card, SSD with OS, Uni-9DB		\$379.00
101	158281	PWB P-1117, cash drawer relay board	138-5925-02	\$22.00
102	154777	Power supply, switching	138-5941-02	\$161.00
103	181152	Fan assy	141-6085-15	\$74.00
104	181153	Speaker assy	140-7073-26	\$28.00
105	186512	Fuse holder assy	138-5697-21	\$40.00
106	125707	Fuse, glass tube	069-2407-00	\$6.00
107*	186513	Harness, C3, power supply	137-0804-37	\$12.00
108*	186514	Harness, C6, sensors	137-0813-31	\$29.00
109*	186515	Harness, C3, printer motor	138-5939-22	\$14.00
110*	186518	Harness, S2, power switch	137-0798-38	\$9.00
111*	182930	Harness, C7, internal/remote scale**	100-050-7521-00	\$40.00
112*	182931	Harness, C5, customer display**	100-050-7519-00	\$90.00
113*	186519	Harness, C6, operator display**	100-050-7518-00	\$195.00
114*	186520	Harness, S1, jumper	133-8499-16	\$8.00
115	186521	Filter, ferrite core	072-2454-03	\$12.00
116	186522	Filter, ferrite core	096-9524-03	\$11.00
117	186523	Accessory, clamp, shield	000-144-5937-07	\$4.00
999	119506	Power cord, 90 degree molded	089-5787-04	\$23.00

\* See "Electric Unit Wiring Diagram - Uni-9 DB" on page 93: items 2-107 to 2-114

\*\* Updated harnesses 112 and 113 require new clamp p/n 000-144-5937-07

Printing Scales





# Uni-9

Customer Display Unit - Bench, DB



*Bench*

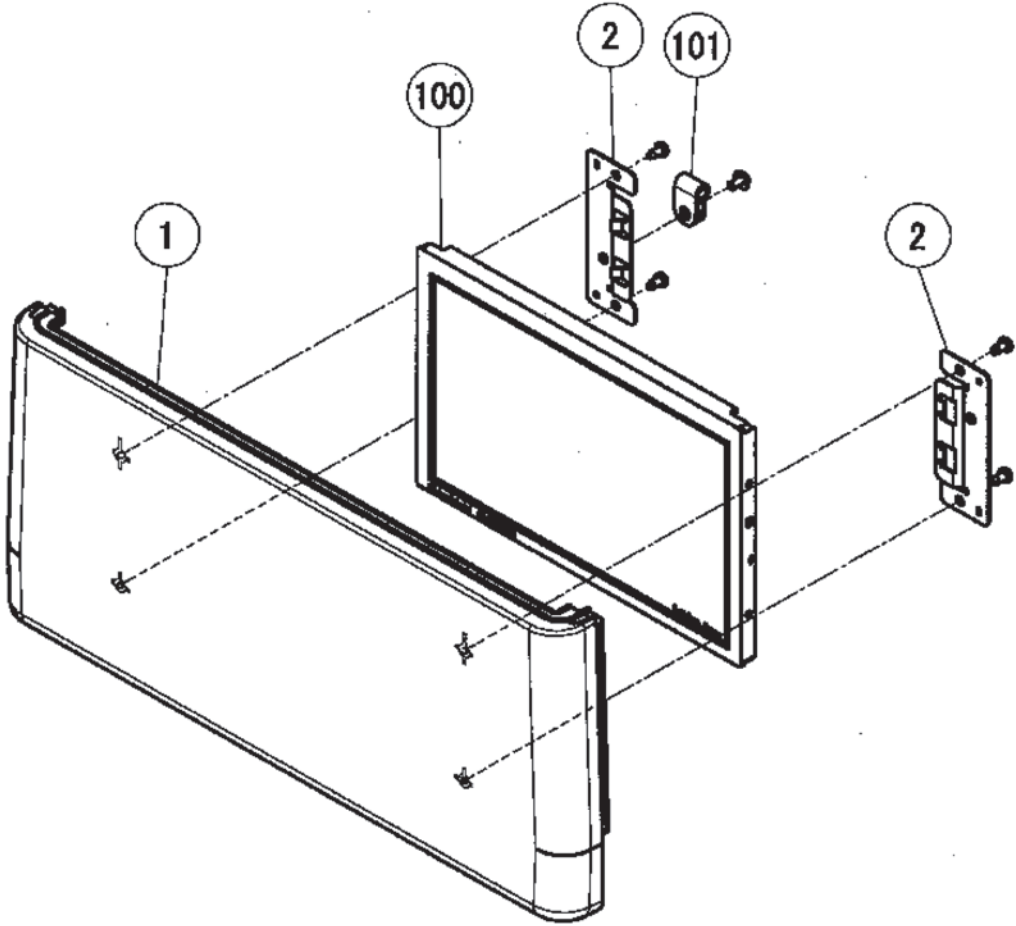


*DB*

## Part Number/Price

Ref #	Part #	Description	Synonym	Price
1	158282	Cover as, display, B	138-1694-08	\$101.00
2	186533	Bracket, LCD	138-1594-27	\$9.00
100	158283	Display, LCD, TFT	138-5873-02	\$368.00
101	186534	Accessory, clamp, shield	135-7195-06	\$5.00

**Uni-9**  
Customer Display Unit - Bench, DB



Printing Scales

# Uni-9

Customer Display Unit - Pole, Short Pole



Short Pole  
(platter shown is optional)



Pole

## Part Number/Price

Ref #	Part #	Description	Synonym	Price
1	158284	Case, controller, front	138-1651-08	\$42.00
2	179707	Case, controller, rear	138-2461-10	\$34.00
3	181192	Cover, display, connector	138-2462-13	\$6.00
4	158285	Sheet, display, black	138-1657-00	\$43.00
5	195422	Frame, operation	138-2464-11	\$28.00
6	185541	Bracket, board, junction	138-2444-16	\$5.00
7	181193	Hinge assy, torque	138-1528-21	\$37.00
8	187271	L plate B, display	138-2463-17	\$8.00
101	206535	Display, LCD, TFT	135-4850-11	\$557.00
102	87519	PWB, P-985, display harness junction board	102-3034-15	\$50.00
999	187275	Harness, C5, LCD display*	100-050-7520-00	\$87.00

\* Updated harnesses 112 and 113 require new clamp p/n 000-144-5937-07



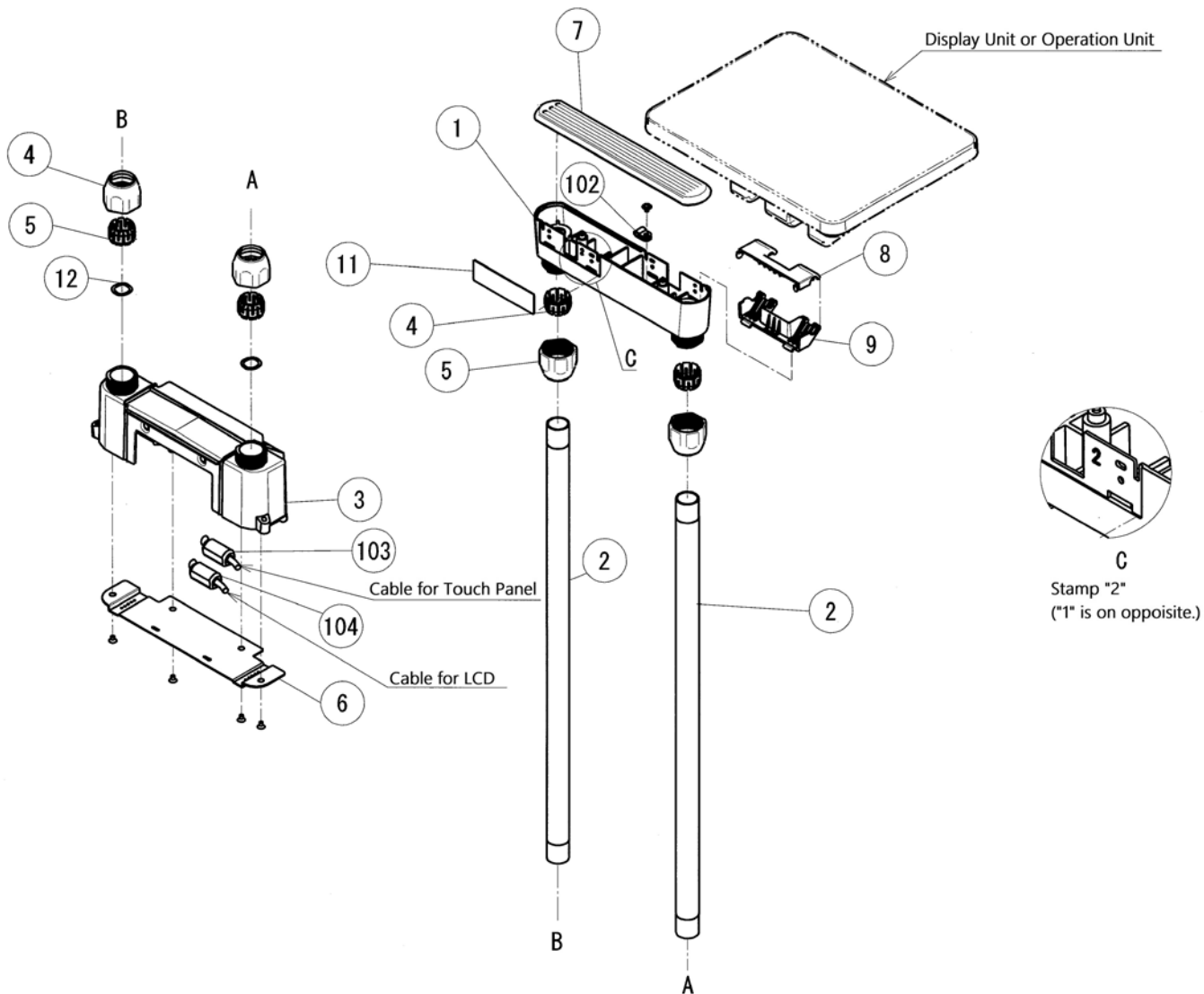
# Uni-9

Pole Unit



## Part Number/Price

Ref #	Part #	Description	Synonym	Price
1	Consult	Base, operation, pole	138-1629-14	\$52.00
2	190351	Pole	137-0974-28	\$84.00
3	Consult	Base, pole unit	137-0919-22	\$48.00
4	Consult	Cap, pole	137-0915-19	\$3.00
5	Consult	Stopper, pole	137-0916-12	\$1.00
6	Consult	Cover, base, pole unit	137-0920-18	\$20.00
7	Consult	Cover, pole, upper	138-1661-14	\$25.00
8	177370	Cover, hinge, upper	137-0917-25	\$3.00
9	177371	Cover, hinge, lower	137-0918-29	\$4.00
11	Consult	Name plate, model	138-1659-07	\$9.00
12	Consult	Wave washer	018-0810-08	\$1.00
102	186534	Accessory, clamp, shield	135-7195-06	\$5.00
103/104	186521	Filter, ferrite, core	072-2454-03	\$12.00



Printing Scales

# Uni-9

Short Pole Unit

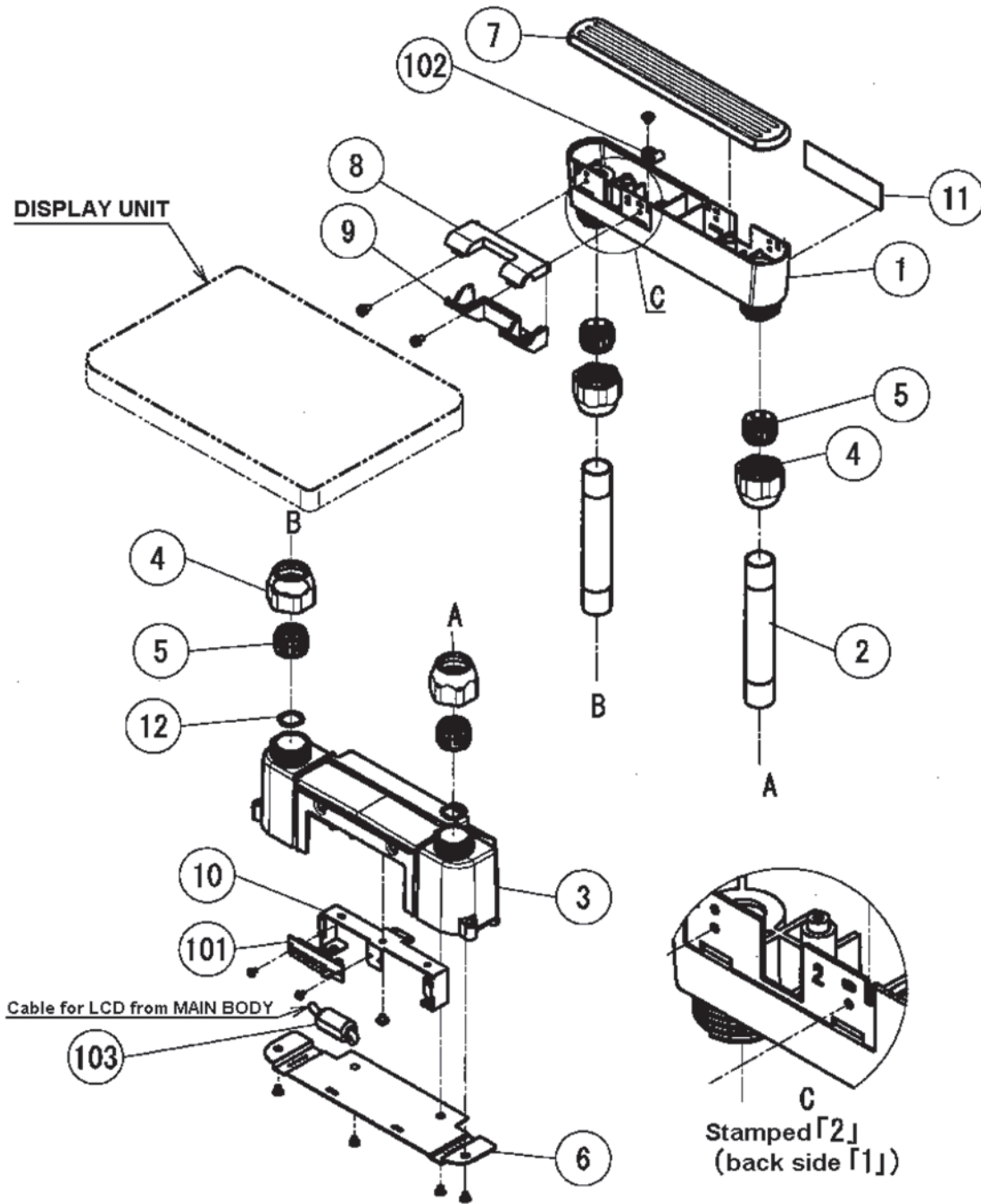


(platter shown is optional)

## Part Number/Price

Ref #	Part #	Description	Synonym	Price
1	Consult	Base, operation, pole	138-1629-14	\$52.00
2	Consult	Pole	138-1844-19	\$62.00
3	Consult	Base, unit pole	137-0919-22	\$48.00
4	Consult	Cap, pole	137-0915-19	\$3.00
5	Consult	Stopper, pole	137-0916-12	\$1.00
6	Consult	Cover, base, pole unit	137-0920-18	\$20.00
7	Consult	Cover, pole, upper	138-1661-14	\$25.00
8	177370	Cover, hinge, upper	137-0917-25	\$3.00
9	177371	Cover, hinge, lower	137-0918-29	\$4.00
10	Consult	Bracket, PWB P-985	138-1628-11	\$7.00
11	Consult	Name plate, model	138-1659-07	\$9.00
12	Consult	Wave washer	018-0810-08	\$1.00
100*	Consult	Harness, C4, customer display junction board	139-2708-16	\$82.00
101*	87519	PWB P-985, display harness junction board	102-3034-15	\$50.00
102	186534	Accessory, clamp, shield	135-7195-06	\$5.00
103/104	186521	Filter, ferrite, core	072-2454-03	\$12.00

\* See "Electric Unit Wiring Diagram - Short Pole" on page 91: items 8-100 and 8-101



Printing Scales

# Uni-10

Main Body, Bench

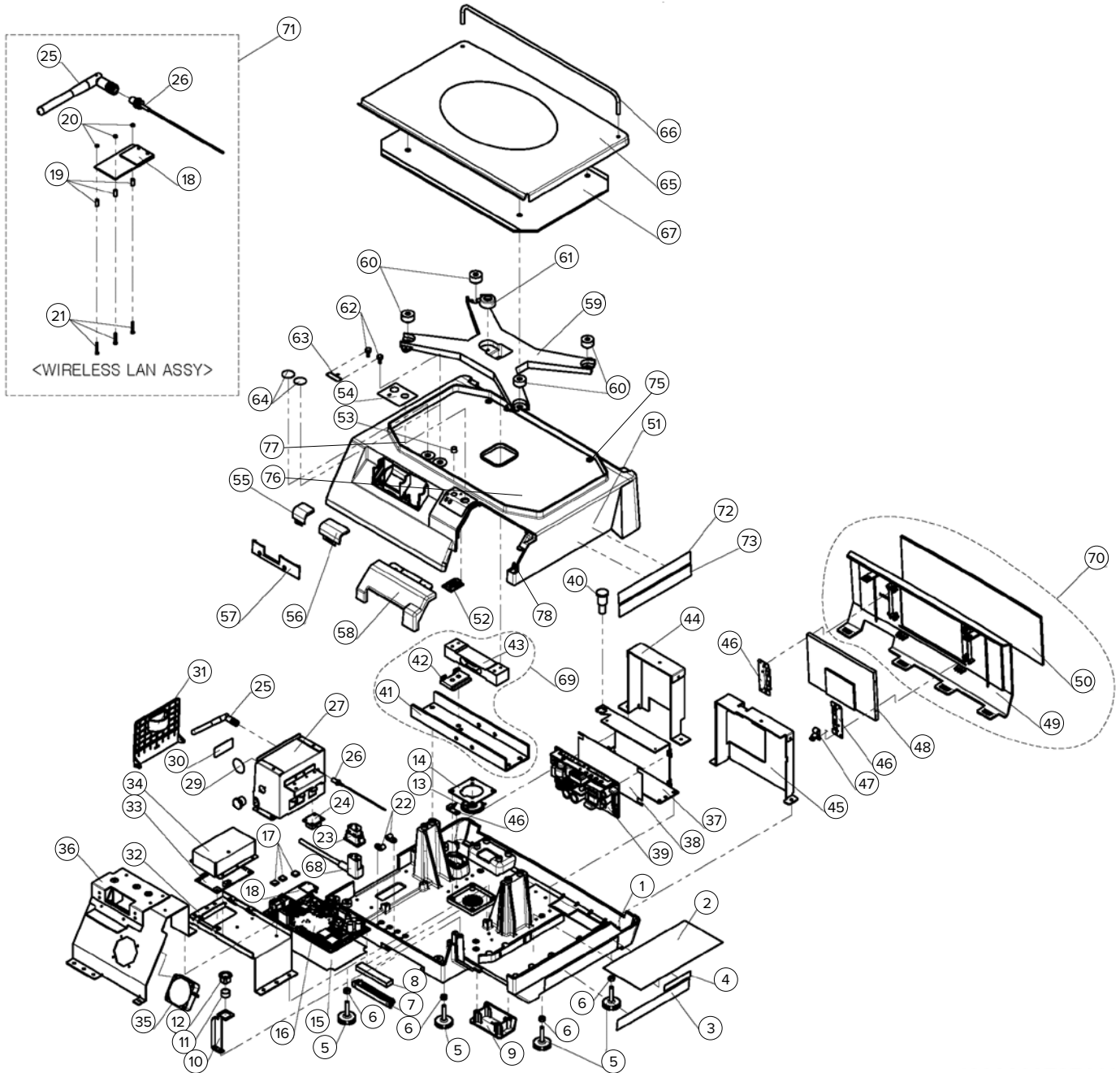


## Part Number/Price

Ref #	Part #	Description	Synonym	Qty	Price
1	Consult	Base	400-000-5974-01	1	\$350.00
-	Consult	Screw, M4x10 mm cross/panhead tapping		2	Consult
2	220886	Sheet, low friction	400-000-7228-00	1	\$46.00
3	Consult	Specification plate		1	Consult
4	Consult	Wireless maker no sticker	400-000-5591-00	1	\$2.00
5	130813	Leveling foot, adjustable, M6-1.0x32 mm	000-089-5083-06	4	\$4.00
6	92169	Hex nut M6 10 mm stainless steel	400-000-6339-00	4	\$4.00
7	Consult	Exhaust vent	400-000-5869-00	1	\$3.00
8	Consult	Filter, vent	400-000-7229-00	1	\$2.00
9	Consult	Rear bench cover	400-000-5865-00	1	\$3.00
10	Consult	Bracket level	400-000-5886-00	1	\$4.00
11	44425	Level unit	400-000-7230-00	1	\$50.00
12	44455	Frame, level	000-089-0930-02	1	\$2.00
13	Consult	Speaker assembly	400-000-5807-00	1	\$13.00
14	Consult	Plate, speaker	400-000-5892-00	1	\$5.00
15	Consult	Insulation, sheet main CPU board	400-000-5977-00	1	\$5.00
16	220887	PWB: P-1180: B-1, CPU	400-000-7231-00	1	\$1,878.00
17	Consult	Gasket 10 mm	400-000-5844-00	3	\$1.00
18	220937	Module, wireless card, 2.4 GHz/5 GHz	400-000-7232-00	1	\$471.00
19	Consult	Collar: spacer	400-000-7233-00	3	\$2.00
20	Consult	Hex nut, T1: M1.7x12 mm	400-000-7234-00	3	\$2.00
21	Consult	Bolt, M1.7x12 mm	400-000-5994-00	3	\$1.00
22	223784	Clamp, cable	000-089-5731-06	2	\$1.00
23	203992	Harness, C2, power assy	000-089-5633-04	1	\$4.00
24	158281	PWB: P-1117: cash drawer	400-000-7235-00	1	\$22.00
25	223681	Antenna, Wi-Fi	400-000-7236-00	1	\$77.00
26	223682	Antenna cable, Wi-Fi	400-000-7237-00	1	\$141.00
27	Consult	Bracket, connector	400-000-5887-00	1	\$104.00
29	Consult	Sticker, seal	400-000-5973-00	1	\$1.00
30	Consult	Decal, comms connectors identification	400-000-5933-00	1	\$1.00
31	220888	Case, cover comms connector	400-000-5870-00	1	\$7.00
32	Consult	Bracket, A/D board	400-000-5888-00	1	\$16.00
33	220889	PWB:P-111:A-9, A/D board	400-000-7238-00	1	\$295.00
34	Consult	Cover, A/D board	400-000-5889-00	1	\$9.00
36	Consult	Bracket, hinge	400-000-5893-01	1	\$41.00
37	Consult	Bracket, power supply	400-000-5895-00	1	\$13.00
38	Consult	Insulation sheet, power supply	400-000-5934-00	1	\$5.00
39	220890	Power supply, switching	400-000-7239-00	1	\$232.00
40	Consult	Fuse holder assembly	400-000-5808-00	1	\$28.00
41	Consult	U plate B, load cell	400-000-7240-00	1	\$71.00
42	Consult	Spacer, load cell	400-000-7241-00	1	\$16.00
43	87515	Load cell, C2G125KS15	400-000-7242-00	1	\$353.00
44	Consult	Bracket, rear left	400-000-5890-00	1	\$17.00
45	Consult	Bracket, rear right	400-000-5891-00	1	\$18.00
46	186533	Bracket, LCD	400-000-7243-00	2	\$9.00
47	132394	Clamp, ground	000-089-5810-07	2	\$3.00
48	220892	LCD, customer display	400-000-5427-00	1	\$336.00
49	223685	Case, rear	400-000-5863-01	1	\$29.00
50	223532	Panel, window, customer display	400-000-5979-00	1	\$39.00
51	223686	Case, main, upper	400-000-5862-00	1	\$65.00
52	220893	PWB:P-1185, power switch	400-000-7244-00	1	\$33.00
53	Consult	Spacer, switch	400-000-5864-00	1	\$1.00
54	Consult	Sheet, switch	400-000-5976-00	1	\$16.00
55	223687	Case, cover, hinge, upper, left	400-000-5867-00	1	\$3.00
56	223683	Case, cover, hinge, upper, right	400-000-5866-00	1	\$3.00
57	223684	Case, cover, hinge, lower	400-000-5868-00	1	\$4.00
57	Consult	Screw, M4-0.7x10 mm cross/panhead tapping		2	Consult
57	Consult	Clip		2	Consult
58	221223	Case, cover, printer	400-000-5871-00	1	\$7.00
58	42851	Screw: cross truss	400-000-7299-00	2	\$2.00
58	115169	Collar: spacer	400-000-7285-00	2	\$2.00

# Uni-10

Main Body, Bench



Printing Scales

# Uni-10

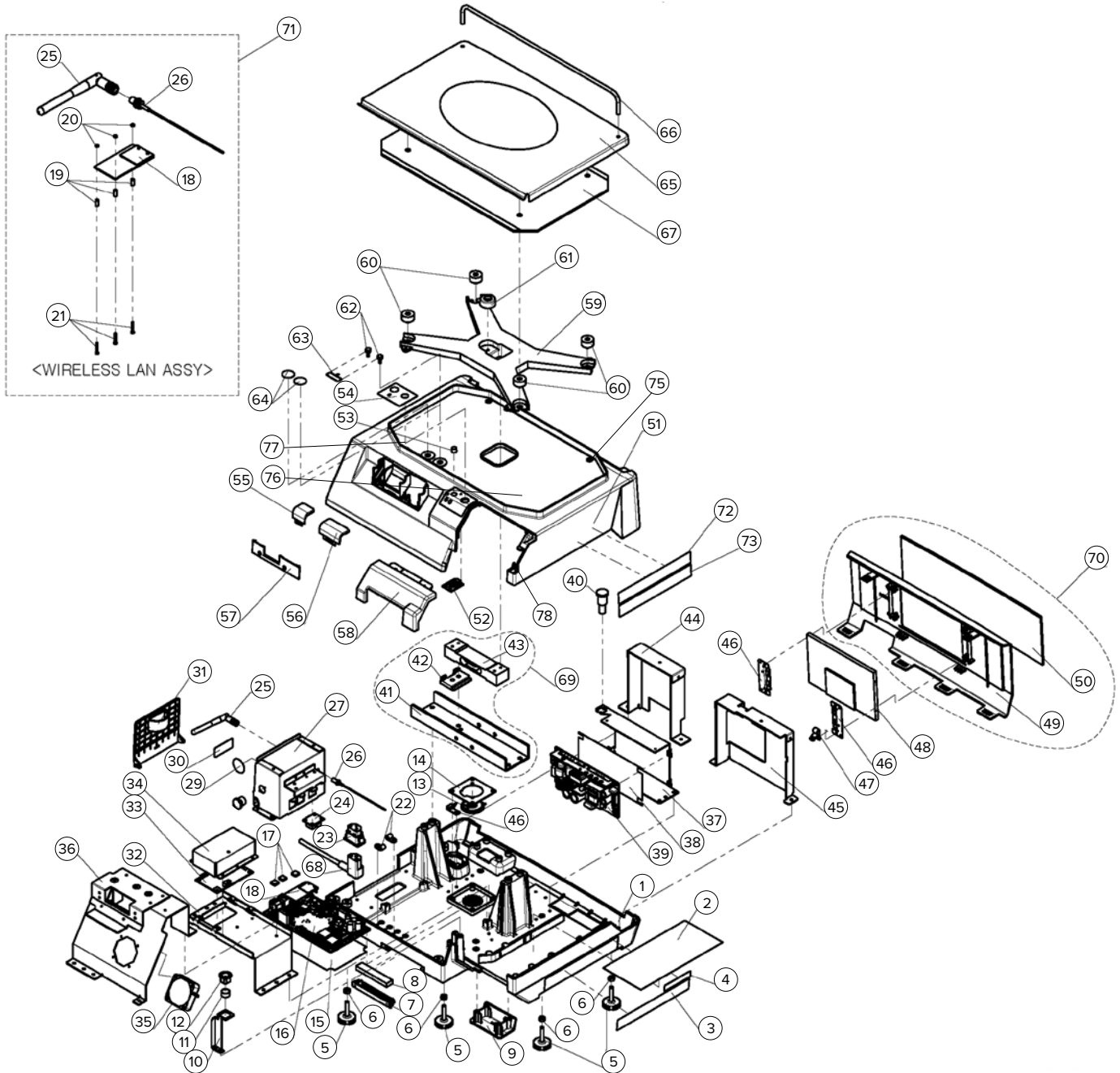
Main Body, Bench



Ref #	Part #	Description	Synonym	Qty	Price
59	<b>224515</b>	Support, platter	400-000-7245-00	1	\$80.00
59	<b>Consult</b>	Bolt, M6-1.0x15 mm socket head		2	Consult
60	<b>45167</b>	Supporter, rubber	400-000-7246-00	4	\$6.00
61	<b>45168</b>	Rubber pad	400-000-7247-00	1	\$3.00
61	<b>Consult</b>	Screw		2	Consult
62	<b>126464</b>	Screw, sealing, M4-0.7x5 mm, flat	000-089-5835-00	2	\$6.00
63	<b>Consult</b>	Wire seal	000-089-1460-02	1	\$6.00
64	<b>91178</b>	Sticker, Round Void When Removed, 21 mm	000-040-9585-01	2	\$11.00
65	<b>223657</b>	Weigh platter	400-000-5894-02	1	\$91.00
66	<b>223659</b>	Guide, platter back stop	400-000-5978-01	1	\$26.00
66	<b>Consult</b>	Screw		2	Consult
67	<b>Consult</b>	Sheet, cushion platter	400-000-7249-00	1	\$44.00
68	<b>119506</b>	Power Cord, C2, 90°	000-089-5787-04	1	\$23.00
69	<b>Consult</b>	Load cell assembly	400-000-6297-00	1	\$406.00
70	<b>220894</b>	Case, rear assembly	400-000-6301-00	1	\$103.00
71	<b>220940</b>	Option, wireless, LAN, assembly, 2.4 GHz/5 GHz	400-000-5993-00	1	\$562.00
72	<b>Consult</b>	Sticker:wireless	400-000-0123-00	1	\$13.00
73	<b>Consult</b>	Sticker:wireless	400-000-0124-00	1	\$13.00
75	-	Screw, hex, M4-0.7x16 mm, with built in lock and flat washers		2	Consult
76	-	Screw, hex, M4-0.7x12 mm, with built in lock and flat washers	400-000-7197-00	2	Consult
77	-	Screw, hex, M4-0.7x8 mm, with built in lock and flat washers	400-000-5989-00	2	Consult
78	-	Screw, M4-0.7x6 mm cross/truss head	000-000-0439-01	6	Consult

# Uni-10

Main Body, Bench



Printing Scales

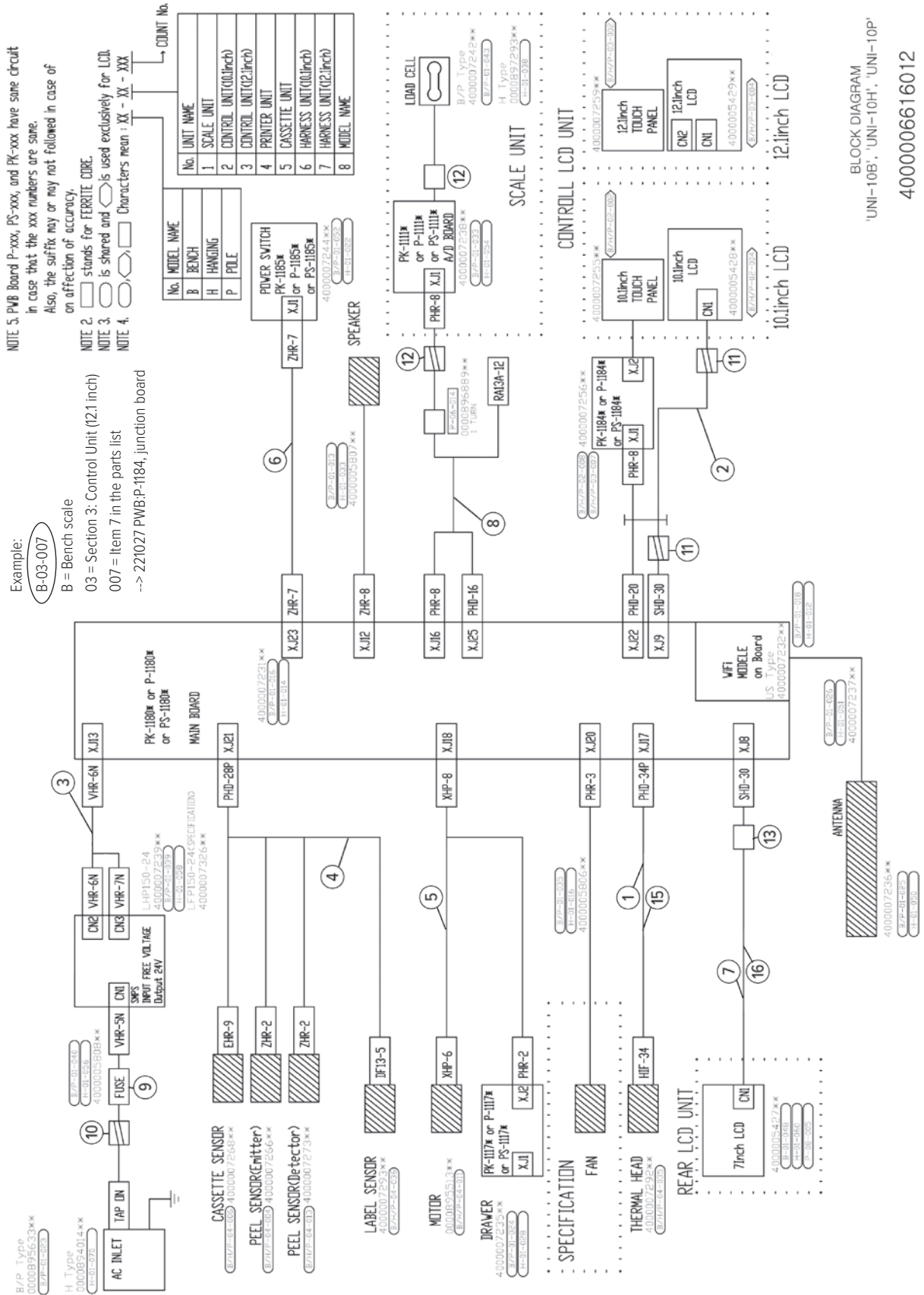
# Uni-10

Wiring Guide, 12.1 Inch



## Part Number/Price

Ref #	Part #	Description	Synonym	Qty	Price
<b>Bench</b>					
1	221033	Harness, C2, thermal head	400-000-5804-00	1	\$155.00
2	221034	Harness, C6, LCD, operator display	400-000-5814-01	1	\$199.00
3	221035	Harness, S2, power supply to CPU board	400-000-5809-00	1	\$21.00
4	221036	Harness, C5 sensors (cassette no., peel, gap)	400-000-5810-01	1	\$61.00
5	221037	Harness, C4, printer motor	400-000-5811-00	1	\$29.00
6	221038	Harness, S2, power switch	400-000-5812-00	1	\$23.00
7	221040	Harness, C4, LCD, customer display	400-000-5813-00	1	\$158.00
8	221041	Harness, C3, CPU board to A/D board	400-000-5815-00	1	\$31.00
9	125707	Fuse: glass tube, 250V, 6A	400-000-7263-00	1	\$6.00
10	Consult	Ferrite core CU1530G	400-000-5800-00	1	\$10.00
11	Consult	Ferrite core CU0730G	400-000-5801-00	2	\$7.00
12	Consult	Ferrite core	000-089-6532-05	2	\$11.00
<b>Pole</b>					
2	221034	Harness, C6, LCD, operator display	400-000-5814-01	1	\$199.00
3	221035	Harness, S2, power supply to CPU board	400-000-5809-00	1	\$21.00
4	221036	Harness, C5 sensors (cassette no., peel, gap)	400-000-5810-01	1	\$61.00
5	221037	Harness, C4, printer motor	400-000-5811-00	1	\$29.00
6	221038	Harness, S2, power switch	400-000-5812-00	1	\$23.00
8	221041	Harness, C3, CPU to A/D board	400-000-5815-00	1	\$31.00
9	125707	Fuse: glass tube, 250V, 6A	400-000-7263-00	1	\$6.00
10	Consult	Ferrite core CU1530G	400-000-5800-00	1	\$10.00
11	Consult	Ferrite core CU0730G	400-000-5801-00	2	\$7.00
12	Consult	Ferrite core	000-089-6532-05	2	\$11.00
13	Consult	Ferrite core CU1330B	000-089-6531-01	1	\$15.00
15	224133	Harness, C2, thermal head	400-000-6873-00	1	\$197.00
16	224134	Harness, C4, LCD customer display	400-000-6638-00	1	\$191.00



BLOCK DIAGRAM  
 'UNI-10B', 'UNI-10H', 'UNI-10P'  
 4000006616012

# Uni-10

Controller 12.1 Inch

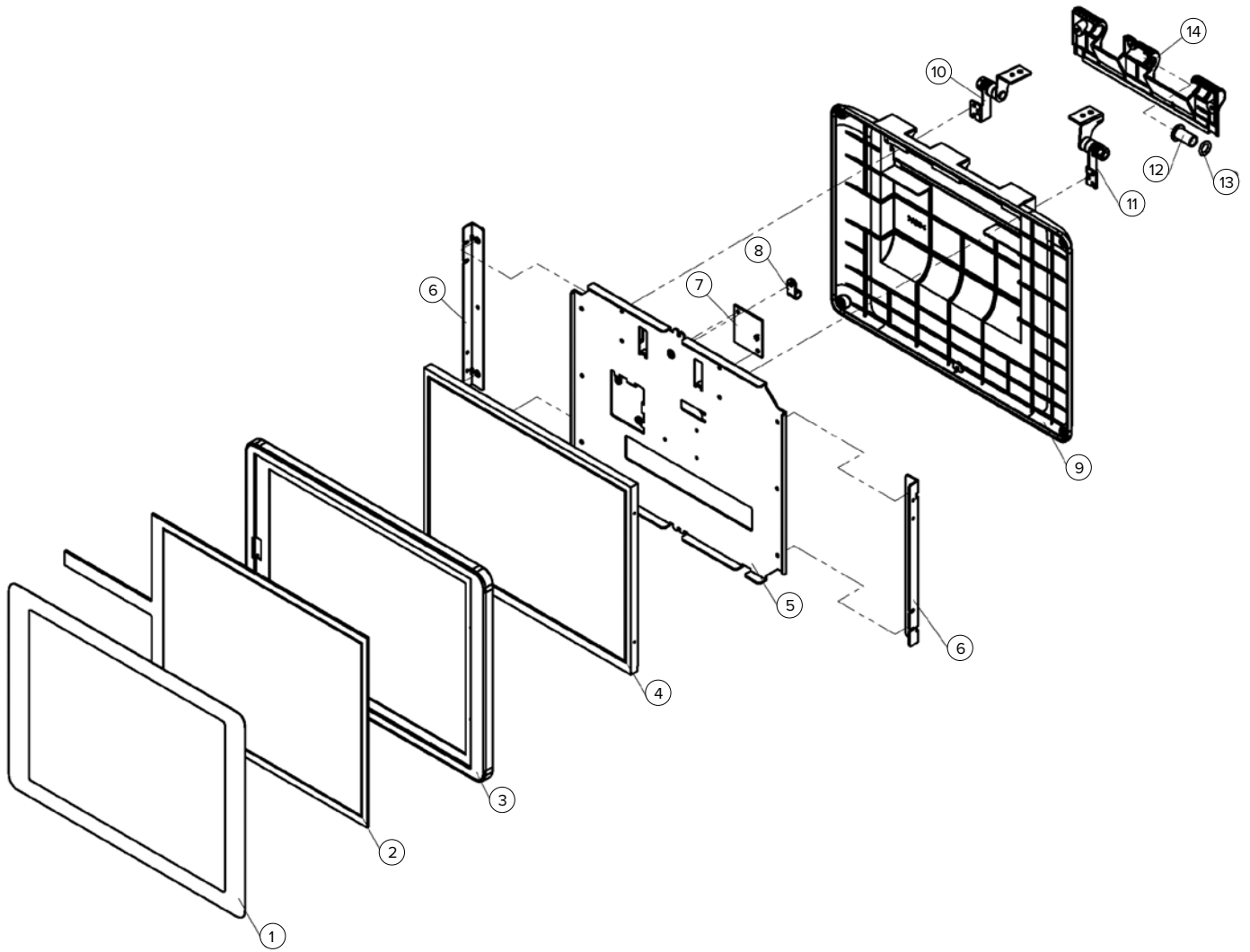


## Part Number/Price

Ref #	Part #	Description	Synonym	Qty	Price
1	220891	Outer sheet overlay	400-000-5931-01	1	\$71.00
2	221024	Touch panel, analog, membrane	400-000-7259-00	1	\$179.00
3	221025	Case, front	400-000-5930-00	1	\$54.00
4	221026	Operator display, 12.1", LCD	400-000-5429-00	1	\$1,113.00
5	Consult	Frame control	400-000-5901-00	1	\$66.00
6	Consult	Bracket LCD	400-000-5902-00	2	\$41.00
7	221027	PWB:P-1184, junction board	400-000-7256-00	1	\$22.00
8	223784	Cable, clamp	000-089-5731-06	1	\$1.00
8	-	Screw, M4-0.7x6 mm cross/truss head	400-000-0945-00	1	Consult
9	223773	Case, rear control	400-000-5877-00	1	\$22.00
9	-	Screw, M3-0.5x8 mm cross/truss head	400-000-5338-00	5	Consult
10	223774	Torque hinge, left	400-000-5909-00	1	\$37.00
11	223775	Torque hinge, right	400-000-5907-00	1	\$37.00
11	-	Screw, M4-0.7x6 mm cross/truss head	400-000-0945-00	2	Consult
11	-	Screw, M3-0.5x6 mm cross/truss head	400-000-1972-00	4	Consult
12	Consult	Spacer	400-000-7257-00	1	\$8.00
13	Consult	O ring	400-000-7258-00	1	\$1.00
14	223777	Cover control connector	400-000-5873-00	1	\$6.00

# Uni-10

Controller 12.1 Inch



Printing Scales

# Uni-10

Printer Unit, Bench/Pole



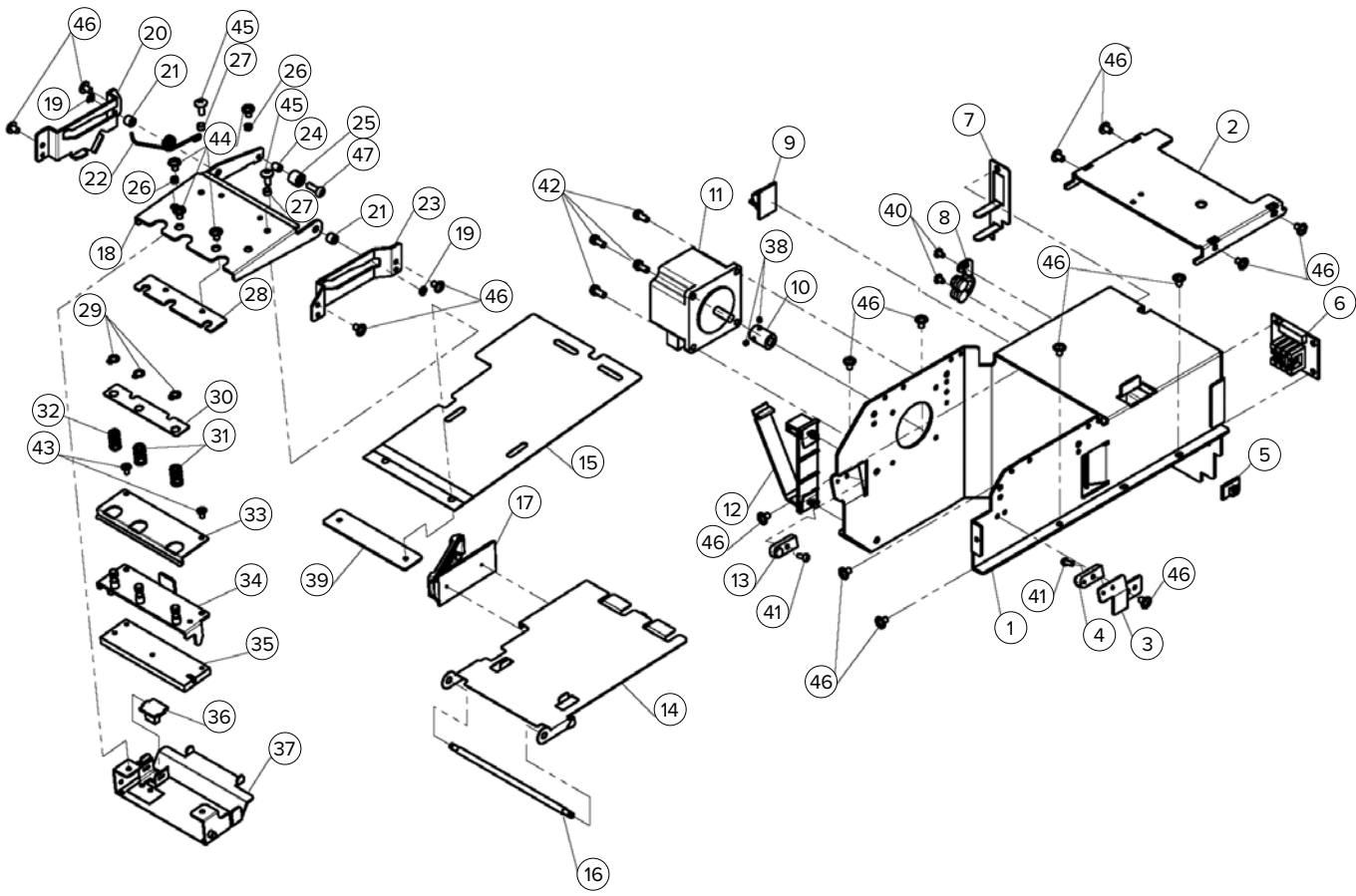
## Part Number/Price

Ref #	Part #	Description	Synonym	Qty	Price
1	Consult	Frame printer	400-000-5880-00	1	\$74.00
2	Consult	Frame, printer: upper	400-000-7264-00	1	\$15.00
3	223780	Bracket, sensor, peel, emitter	400-000-7265-00	1	\$4.00
4	171877	Sensor, peel, emitter	400-000-7266-00	1	\$16.00
5	Consult	Accessory, clamp: wire	400-000-7267-00	6	\$21.00
6	87532	Sensor, cassette number	400-000-7268-00	1	\$46.00
7	Consult	Catch, support	400-000-7269-00	1	\$11.00
8	175360	Catch, roller	400-000-7270-00	1	\$4.00
9	Consult	Accessory, clamp: ckn clamp	400-000-7271-00	1	\$2.00
10	223781	Spur gear, take motor	400-000-5904-00	1	\$8.00
11	119168	Motor, stepping	000-089-5513-01	1	\$169.00
12	223782	Accessory, clamp: flat cable	400-000-7272-00	1	\$10.00
13	171876	Peel sensor, transmitter, lower left	400-000-7273-00	1	\$17.00
14	Consult	Cover, harness, thermal	400-000-7274-00	1	\$15.00
15	Consult	Sheet, cover, harness	400-000-7275-00	1	\$18.00
16	Consult	Shaft, printer	400-000-7276-00	1	\$41.00
17	223785	Accessory, clamp, flat cable	400-000-7277-00	1	\$9.00
18	163272	Bracket, printer	400-000-7278-00	1	\$32.00
19	223787	E ring, stainless steel	400-000-0969-00	2	\$1.00
20	185707	Rail, printer left	400-000-7279-00	1	\$10.00
21	174991	Bush	400-000-7280-00	2	\$7.00
22	185711	Spring, coil	400-000-7281-00	1	\$9.00
23	185710	Rail, printer right	400-000-7282-00	1	\$8.00
24	46989	Collar, spacer	400-000-7283-00	1	\$2.00
25	195128	Stopper	000-089-5127-06	1	\$4.00
26	175486	Collar, spacer	400-000-7284-00	2	\$2.00
27	115169	Collar, spacer	400-000-7285-00	2	\$2.00
28	Consult	Stay, head, thermal	400-000-7286-00	1	\$5.00
29	47215	C ring, for shaft, M6 stainless steel	400-000-7193-00	3	\$3.00
30	96437	Plate A, spring: support	400-000-7287-00	1	\$4.00
31	96436	Spring, compressive coil	400-000-7288-00	2	\$3.00
32	96435	Spring, compress coil	400-000-7289-00	1	\$3.00
33	96440	Cover, head	400-000-7290-00	1	\$10.00
34	96434	Bracket, head	400-000-7291-00	1	\$30.00
35	171875	Print head, thermal	400-000-7292-00	1	\$426.00
36	87533	Label gap sensor	400-000-7293-00	1	\$43.00
37	Consult	Press as: label sensor	400-000-7294-00	1	\$32.00
38	206368	Set Screw, M3-0.5 x 3 mm, cup point	400-000-5821-00	2	\$2.00
39	115168	Plate A: sq	400-000-7295-00	1	\$4.00
40	199792	Pan head screw, M3 x 5, flange washer, stainless steel	400-000-7296-00	2	\$2.00
41	48240	Cross pan head screw, M3 x 8, stainless steel	400-000-5343-00	2	\$1.00
42	200524	Cross pan head screw, w/SW, M4 x 10, zinc	400-000-5377-00	4	\$2.00
43	48784	Pan head tapping screw, M3 x 6, stainless steel	400-000-7297-00	2	\$2.00
44	42728	Pan head tapping screw, M4 x 6, flange washer stainless steel SST	400-000-7298-00	4	\$2.00
45	42851	Cross truss screw, M4 x 10, button head stainless steel	400-000-7299-00	2	\$2.00
46	47008	Pan head tapping screw, M4 x 6, flange washer zinc	400-000-7300-00	2	\$3.00
47	185713	Cross pan head screw w/thread lock, M4 x 12, stainless steel	400-000-7301-00	1	\$2.00
999	Consult	Printer Unit, Complete, Pole	400-000-6635-00	1	\$1,242.00
999	226054	Printer Unit, Complete, Bench	400-000-5918-00	1	\$1,259.00

Printing Scales

# Uni-10

Printer Unit, Bench/Pole



Printing Scales

# Uni-10

Cassette

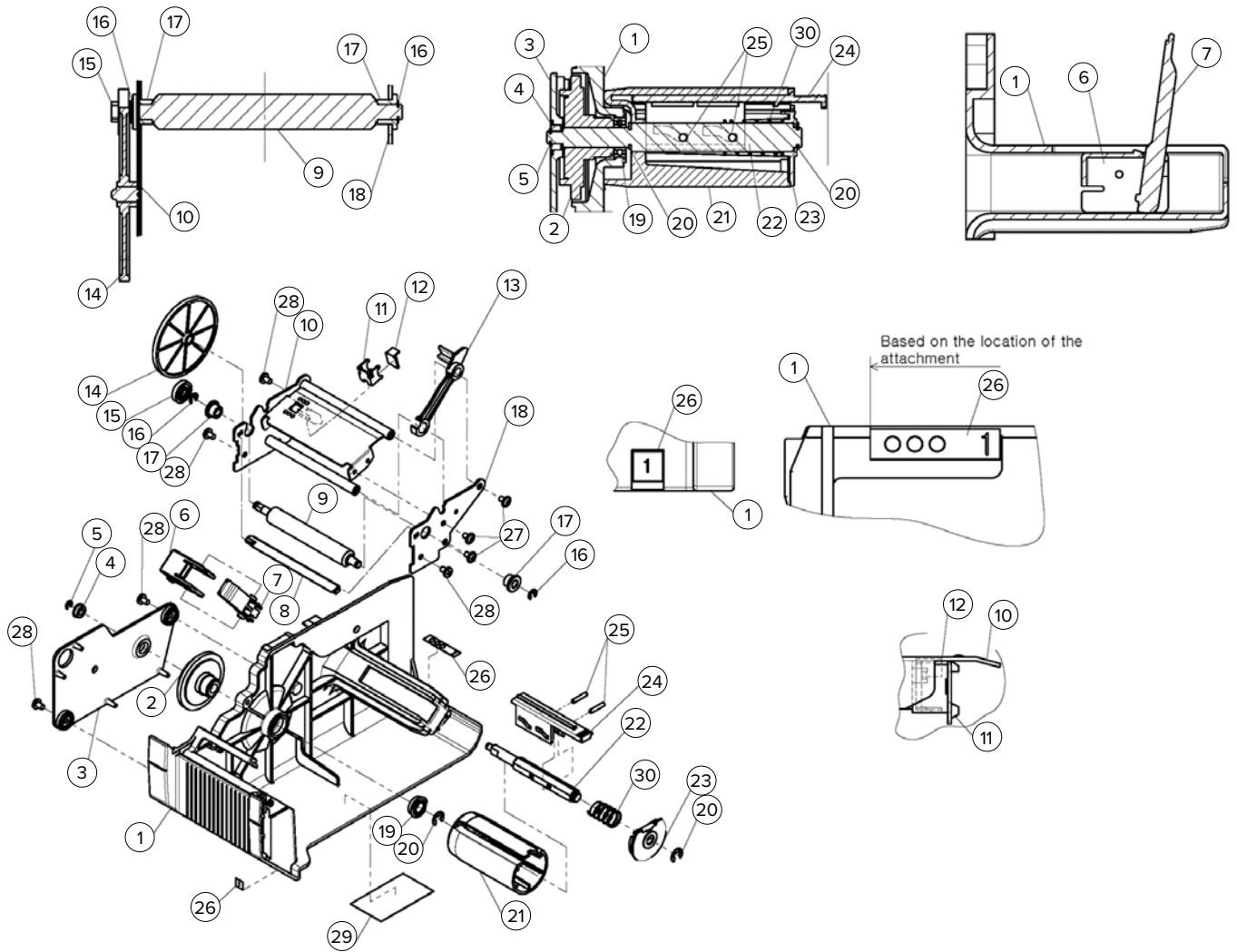


## Part Number/Price

Ref #	Part #	Description	Synonym	Qty	Price
1	Consult	Frame cassette	400-000-5858-01	1	\$48.00
2	116740	Torque limiter	400-000-7302-00	1	\$46.00
3	Consult	Cover gear	400-000-5859-00	1	\$6.00
4	160705	Bush	000-089-5129-03	1	\$2.00
5	223787	E ring, stainless steel	400-000-0969-00	1	\$1.00
6	66378	Holder, label guide	000-089-2830-01	1	\$4.00
7	66376	Lever, label guide label	000-089-2858-04	1	\$4.00
8	221028	Peel bar	400-000-7303-00	1	\$11.00
9	221029	Roller printer	400-000-5905-00	1	\$27.00
10	Consult	Frame platen l	400-000-5881-00	1	\$52.00
11	Consult	Bracket, prism	400-000-7304-00	1	\$2.00
12	198410	Block B, prism	400-000-7305-00	1	\$4.00
13	100519	Label guide	400-000-7306-00	1	\$3.00
14	221030	Spur gear	400-000-5860-00	1	\$6.00
15	93341	Gear, flat	400-000-7307-00	1	\$4.00
16	46984	E ring, 4 mm shaft, stainless steel	400-000-7308-00	2	\$2.00
17	131419	Bush, printer roller	000-089-5597-12	2	\$3.00
18	223783	Plate B platen r	400-000-5883-00	1	\$8.00
19	172635	Bearing, radial	400-000-7309-00	1	\$14.00
20	46977	E-Clip, ring M6 stainless steel	400-000-7310-00	2	\$2.00
21	101104	Bobbin, rolling	400-000-7311-00	1	\$6.00
22	221031	Take spool, shaft	400-000-5925-00	1	\$26.00
23	157781	Cover, rolling	400-000-7312-00	1	\$3.00
24	101105	Holder, rolling: hold	400-000-7313-00	1	\$3.00
25	157778	Spring pin, M3 x 14 mm, stainless steel, silver	400-000-7314-00	2	\$2.00
26	126462	Sticker, cassette number	000-089-5563-07	1	\$5.00
27	201594	Cross head tapping screw, M4-0.7 x 8 mm flange head w/ thread lock, zinc	400-000-7315-00	3	\$4.00
28	200526	Cross head tapping screw, M4-07 x 10 mm low profile, cross bind, stainless steel	400-000-7316-00	5	\$2.00
29	Consult	Name plate, explanation	400-000-7317-00	1	\$21.00
30	157782	Spring, coil compress	400-000-7318-00	1	\$3.00
—	221032	Complete cassette	400-000-5290-00		\$336.00

# Uni-10

Cassette



Printing Scales

# Uni-10

Customer Display Pole

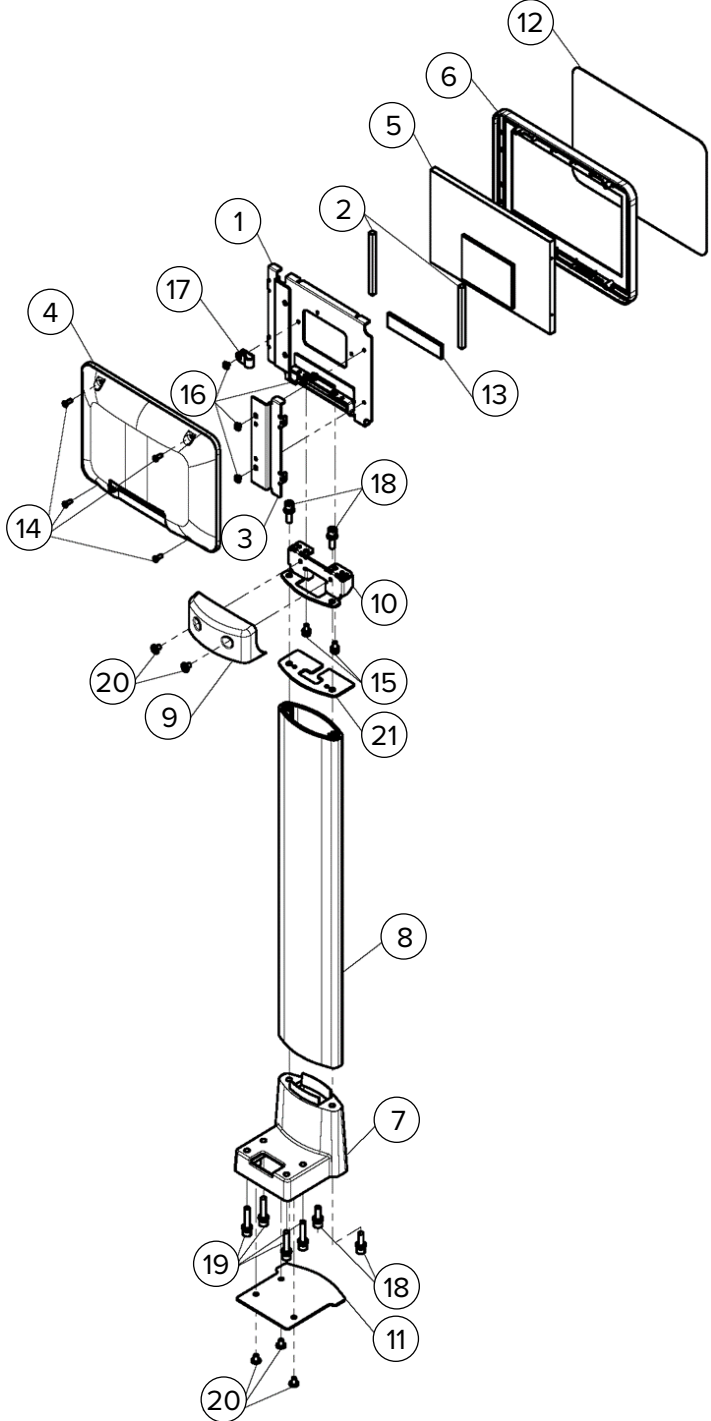


## Part Number/Price

Ref #	Part #	Description	Synonym	Qty	Price
1	224135	Frame, display	400-000-7260-00	1	\$84.00
2	224136	Gasket, conduction	400-000-7250-00	2	\$3.00
3	Consult	Bracket LCD 7-inch	400-000-7261-00	1	\$12.00
4	224137	Case, display, rear	400-000-7262-00	1	\$80.00
5	220892	LCD, customer display	400-000-5427-00	1	\$336.00
6	224138	Case, display, front	400-000-6633-00	1	\$131.00
7	224143	Bracket, base to pole	400-000-6625-00	1	\$68.00
8	224144	Pole, stand	400-000-6627-00	1	\$94.00
9	224145	Case, cover, pole to display	400-000-6628-00	1	\$7.00
10	224146	Bracket, pole to display	400-000-6629-00	1	\$24.00
11	224147	Plate, mounting base, pole	400-000-6630-00	1	\$21.00
12	224148	Overlay sheet, customer display	400-000-6338-00	1	\$65.00
13	Consult	Block cushion	400-000-6632-00	1	\$2.00
14	Consult	Washer head pan screw, M3 × 8, chrome	400-000-2526-00	4	\$1.00
15	Consult	Screw (MSM408HS#W#)	400-000-5640-00	1	\$1.00
16	Consult	Washer head pan screw, M3 × 4, chrome	400-000-0484-00	1	\$1.00
17	Consult	Clamp, ground	000-089-6337-05	1	\$5.00
18	Consult	Socket head hex screw, S2P2 M5 × 25 stainless steel	400-000-5383-00	4	\$1.00
19	Consult	Socket head cap screw, S2P2 M5 × 25 stainless steel	400-000-5386-00	4	\$1.00
20	Consult	Washer head pan screw, M3 × 6, chrome	400-000-1972-00	5	\$1.00
21	Consult	Cover under link pole	400-000-7185-00	1	\$44.00

# Uni-10

Customer Display Pole



Printing Scales



# Printers

<b>Table of Contents</b> .....	<b>117</b>
<b>WIL-Acro II</b> .....	<b>118</b>
<i>Main Body Unit and Wiring Diagram</i>	
<b>WIL-Acro II</b> .....	<b>122</b>
<i>Printer Unit</i>	
<b>WIL-Acro II</b> .....	<b>124</b>
<i>Cassette Unit</i>	
<b>WIL-Acro II</b> .....	<b>126</b>
<i>Controller Unit</i>	
<b>IP-Ai-P</b> .....	<b>128</b>
<i>Main Body Frame Unit and Wiring Diagram</i>	
<b>IP-Ai-P</b> .....	<b>132</b>
<i>Base Unit</i>	
<b>IP-Ai-P</b> .....	<b>134</b>
<i>Printer Unit</i>	
<b>IP-Ai-P</b> .....	<b>136</b>
<i>Head Unit</i>	
<b>IP-Ai-P</b> .....	<b>138</b>
<i>Keyboard Unit</i>	
<b>IP-Ai-P</b> .....	<b>140</b>
<i>Cassette Unit</i>	
<b>IP-Ai-P</b> .....	<b>142</b>
<i>Display Unit</i>	

# WIL-Acro II

## Main Body Unit and Wiring Diagram



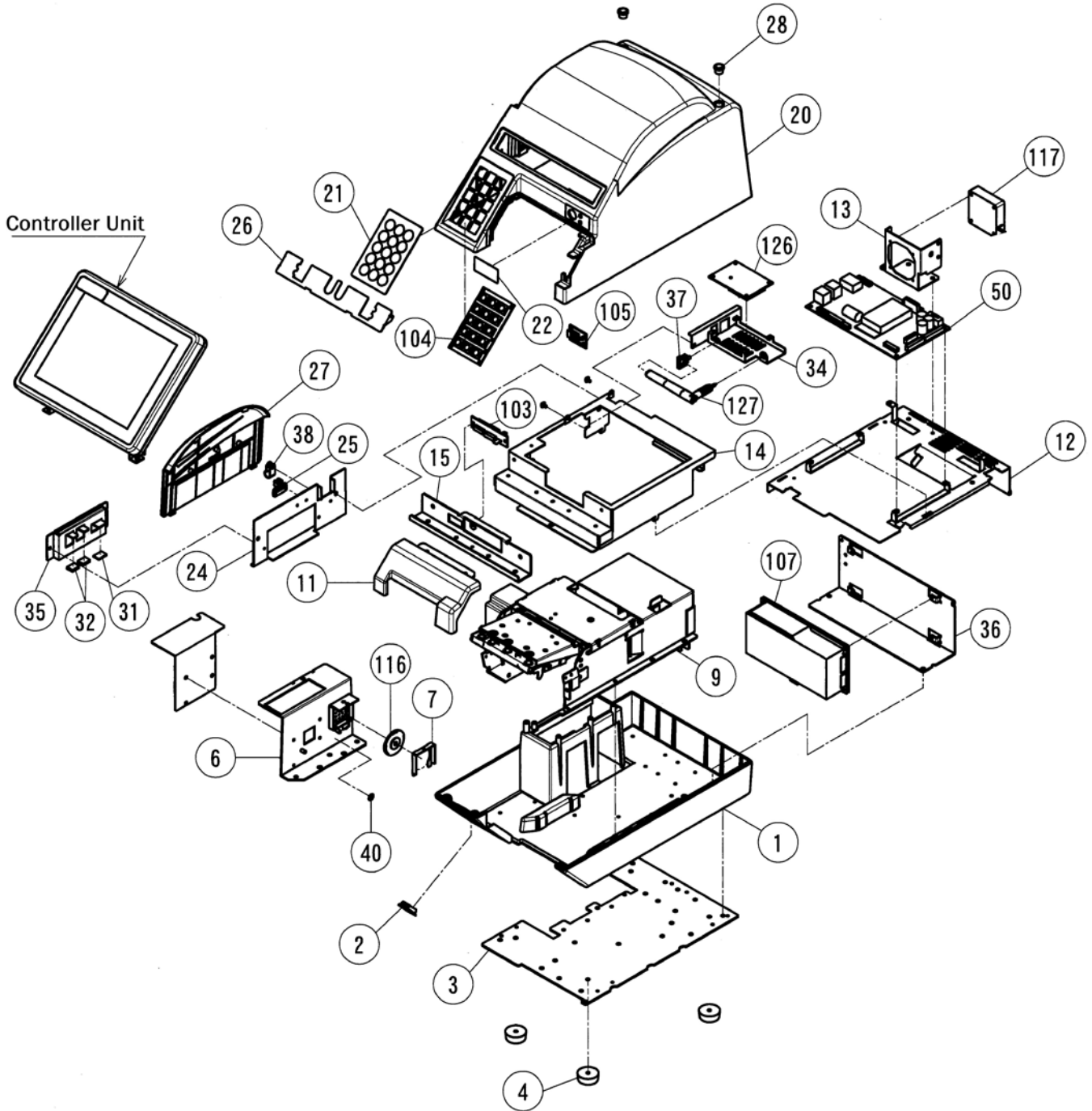
### Part Number/Price

Ref #	Part #	Description	Synonym	Price
—	<b>87514</b>	Cassette unit, complete assembly	000-065-1662-38	\$243.00
1	<b>Consult</b>	Base, printer	000-072-8585-19	Consult
2	<b>Consult</b>	Cap, SW	000-109-2150-02	Consult
3	<b>Consult</b>	Plate b, reinforcement	000-110-7848-00	Consult
4	<b>185717</b>	Rubber pad	000-090-5034-07	\$3.00
6	<b>Consult</b>	Bracket assy, connector	100-016-6897-01	Consult
7	<b>Consult</b>	Bracket, speaker	000-099-8591-01	Consult
9	<b>Consult</b>	Printer unit	100-016-7594-00	Consult
11	<b>96327</b>	Cover, printer	000-063-8266-19	\$10.00
12	<b>Consult</b>	Base assy, main	100-009-1152-00	Consult
13	<b>Consult</b>	Bracket, fan	000-150-3126-06	Consult
14	<b>Consult</b>	Bracket, PWB	100-009-1266-00	Consult
15	<b>Consult</b>	Bracket, hinges	000-099-8582-17	Consult
20	<b>Consult</b>	Case, main body, upper	000-109-2157-17	Consult
21	<b>185569</b>	Sheet, keyboard	100-009-0781-00	\$308.00
22	<b>185570</b>	Sheet, switch	000-109-8691-02	\$19.00
24	<b>Consult</b>	Bracket, connector, main	100-009-1261-00	Consult
25	<b>Consult</b>	Catch	000-052-1953-03	Consult
26	<b>Consult</b>	Cover, hinge	000-108-6480-27	Consult
27	<b>Consult</b>	Cover, connector	000-109-2149-08	Consult
28	<b>42967</b>	Cap	000-001-4457-10	\$2.00
31	<b>198409</b>	Gasket, conductive	000-139-2688-06	\$3.00
32	<b>198408</b>	Gasket, conductive	000-139-2689-00	\$2.00
34	<b>Consult</b>	Bracket, circuit board	100-009-1268-00	Consult
35	<b>Consult</b>	Bracket, connector, main	100-009-1158-00	Consult
36	<b>Consult</b>	Bracket, power supply	100-016-7256-00	Consult
37	<b>Consult</b>	Accessory, clamp, LWS clamp	000-073-7215-05	Consult
38	<b>Consult</b>	Accessory, clamp, nylon clamp	000-000-4753-06	Consult
40	<b>Consult</b>	Name plate	000-097-8992-16	Consult
50	<b>158280</b>	PWB, P-1100A, main CPU board	000-141-6086-21	\$1,744.00
—	<b>164866</b>	CF card, SSD with OS, WIL Acro II	100-000-7261-00	\$393.00
103	<b>87519</b>	PWB P-985, display harness junction board	000-102-3034-15	\$50.00
104	<b>185572</b>	PWB P-944, tactile keyboard	000-072-8611-04	\$86.00
105	<b>158263</b>	PWB P-984, ON/OFF key	000-106-1319-19	\$50.00
107	<b>154777</b>	Power supply, switching	000-138-5941-02	\$161.00
108*	<b>195781</b>	Harness, C3, PS cable	100-016-7700-01	\$89.00
109*	<b>198403</b>	Harness, S2, Earth	100-016-7708-00	\$25.00
110*	<b>198404</b>	Harness, C3, power supply	100-016-7702-00	\$65.00
112*	<b>198405</b>	Harness, C3, key	100-016-7704-00	\$77.00
113*	<b>198406</b>	Harness, S2, power supply SW	100-016-7706-00	\$62.00
114*	<b>198407</b>	Harness, C4, LCD	100-016-7703-00	\$133.00
116	<b>172673</b>	Speaker assy	000-140-7074-11	\$84.00
117	<b>185573</b>	Fan assy	100-016-7701-00	\$116.00
119*	<b>Consult</b>	Harness, C2, speaker	100-016-7705-00	Consult
120*	<b>186520</b>	Harness, S1, jumper	000-133-8499-16	\$8.00
127	<b>119159</b>	Antenna, black, for WiPort	000-089-5639-06	\$89.00
128*	<b>130816</b>	Harness, S2, LAN	000-089-5637-09	\$16.00
129*	<b>Consult</b>	Harness, C2, Wifi	100-008-9043-01	Consult
999	<b>186497</b>	Name plate, EMC, main body	100-000-5604-00	\$6.00
999	<b>215289</b>	RF Wireless card, 5 GHZ & 2.4 GHZ, SX-590	000-089-7989-07	\$643.00

\* See Main Body Wiring Diagram - WIL-Acro II on page 120: items 1-108 to 1-129

# WIL-Acro II

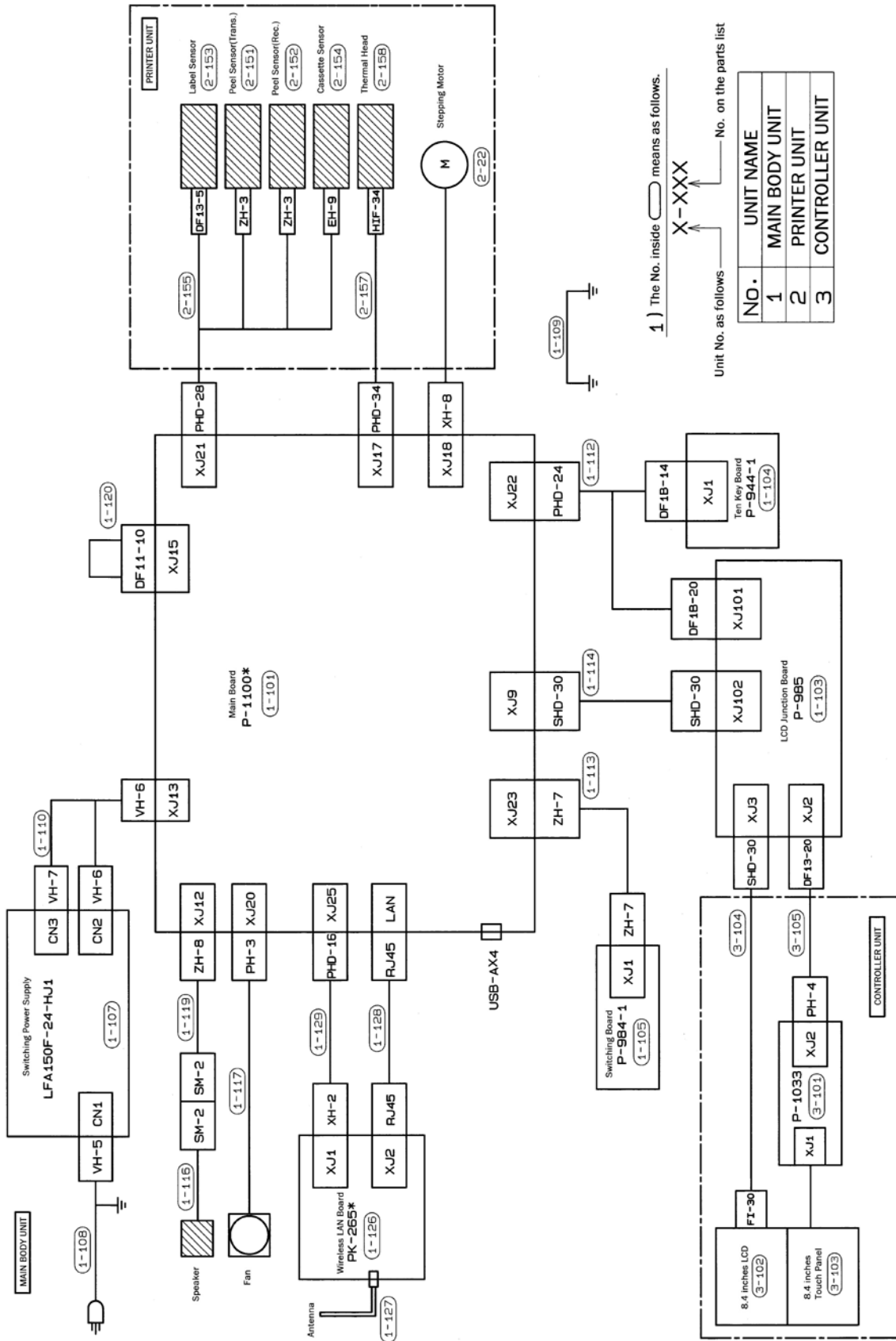
## Main Body Unit and Wiring Diagram



Printers

# WIL-Acro II

## Main Body Unit and Wiring Diagram





# WIL-Acro II

Printer Unit



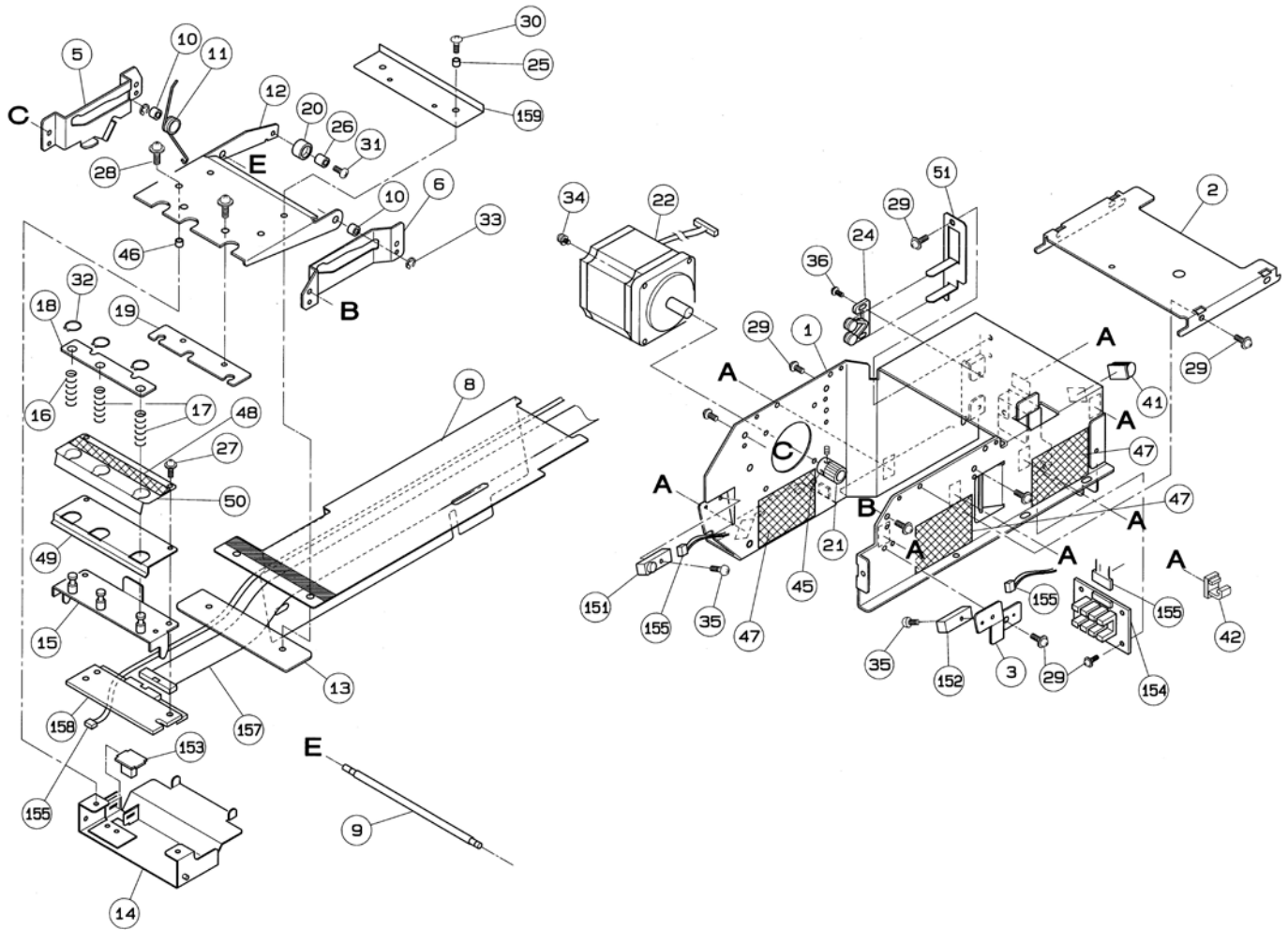
## Part Number/Price

Ref #	Part #	Description	Synonym	Price
1	Consult	Frame, printer	000-066-1832-22	Consult
2	Consult	Frame, printer, upper	000-066-4262-21	Consult
3	Consult	Bracket, sensor, R	000-066-4257-03	Consult
5	185707	Rail, printer, L	000-066-4363-05	\$10.00
6	185710	Rail, printer, R	000-066-4362-01	\$8.00
8	Consult	Sheet cover, harness	000-086-5256-20	Consult
9	Consult	Shaft, printer	000-064-0164-39	Consult
10	174991	Bush	000-066-7780-06	\$7.00
11	185711	Spring, coil	000-066-4251-01	\$9.00
12	163272	Bracket, printer	000-075-5569-01	\$32.00
13	115168	Plate A, SQ	000-066-4249-03	\$4.00
14	Consult	Press assy, label sensor	000-066-4258-16	Consult
15	96434	Bracket, head	000-066-4253-18	\$30.00
16	96435	Spring, coil, compress	000-096-9830-03	\$3.00
17	96436	Spring, coil, compressive	000-096-9831-07	\$3.00
18	96437	Plate A, spring, support	000-066-4250-08	\$4.00
19	Consult	Stay, head, thermal	000-066-4261-09	Consult
20	47481	Stopper	000-000-9327-01	Consult
21	96367	Gear, flat	000-064-0171-26	\$7.00
22	185712	Motor assy, stepping	000-149-0121-03	\$113.00
24	175360	Catch, roller	000-064-0344-05	\$4.00
25	115169	Collar, spacer	000-048-6074-02	\$2.00
26	46989	Collar, spacer	000-000-0391-07	\$2.00
27	48784	Tapping screw, M3x6 pan head SST	000-010-0725-06	\$2.00
28	42728	Tapping screw, M4x6 pan head flange washer SST	000-000-0436-01	\$2.00
29	47008	Tapping screw, M4x6 pan head flange washer zinc	000-000-0439-01	\$3.00
30	42851	Screw, cross truss, M4x10 button head SST	000-000-0239-03	\$2.00
31	185713	Screw, cross pan head, w/glue, M4x12 pan head SST	000-066-7811-09	\$2.00
32	47215	C ring, for shaft, M6 SST	000-036-0949-05	\$3.00
33	46986	E ring, M3 SST	000-000-0287-02	\$2.00
34	200524	Screw, cross, pan head, w/SW, M4x10 zinc	000-065-1827-08	\$2.00
35	48240	Screw, cross pan head, M3x8 pan head SST	000-002-1850-08	\$1.00
36	200523	Tapping, screw, M3x5 zinc	000-000-4826-04	\$2.00
41	Consult	Accessory, clamp, CKN clamp	000-007-5412-01	Consult
42	Consult	Accessory, clamp, wire	000-022-7035-09	Consult
45	84066	Set screw, hex socket, w-point, M4-0.7x4 stainless steel	000-000-0469-03	\$2.00
46	175486	Collar, spacer	000-005-0812-04	\$2.00
49	96440	Cover, head	000-075-5776-14	\$10.00
50	Consult	Guide, label	000-075-5570-05	Consult
51	Consult	Catch, support	000-093-1681-04	Consult
151	171876	Peel sensor, transmitter, lower left	000-112-1169-16	\$17.00
152	171877	Peel sensor, receiver, upper right	000-112-1170-11	\$16.00
153	87533	Label gap sensor	000-105-5249-09	\$43.00
154	87532	Sensor, cassette number	000-064-5586-08	\$46.00
155*	185714	Harness, C5, sensors	100-016-7710-00	\$116.00
157*	185720	Harness, C2, thermal head	100-016-7709-00	\$103.00
158	171875	Print head, thermal	100-010-2669-00	\$426.00
159	Consult	L plate b, hook	100-010-3650-00	Consult

\* See Main Body Wiring Diagram - WIL-Acro II on page 120: items 2-155 and 2-157

# WIL-Acro II

Printer Unit



Printers

# WIL-Acro II

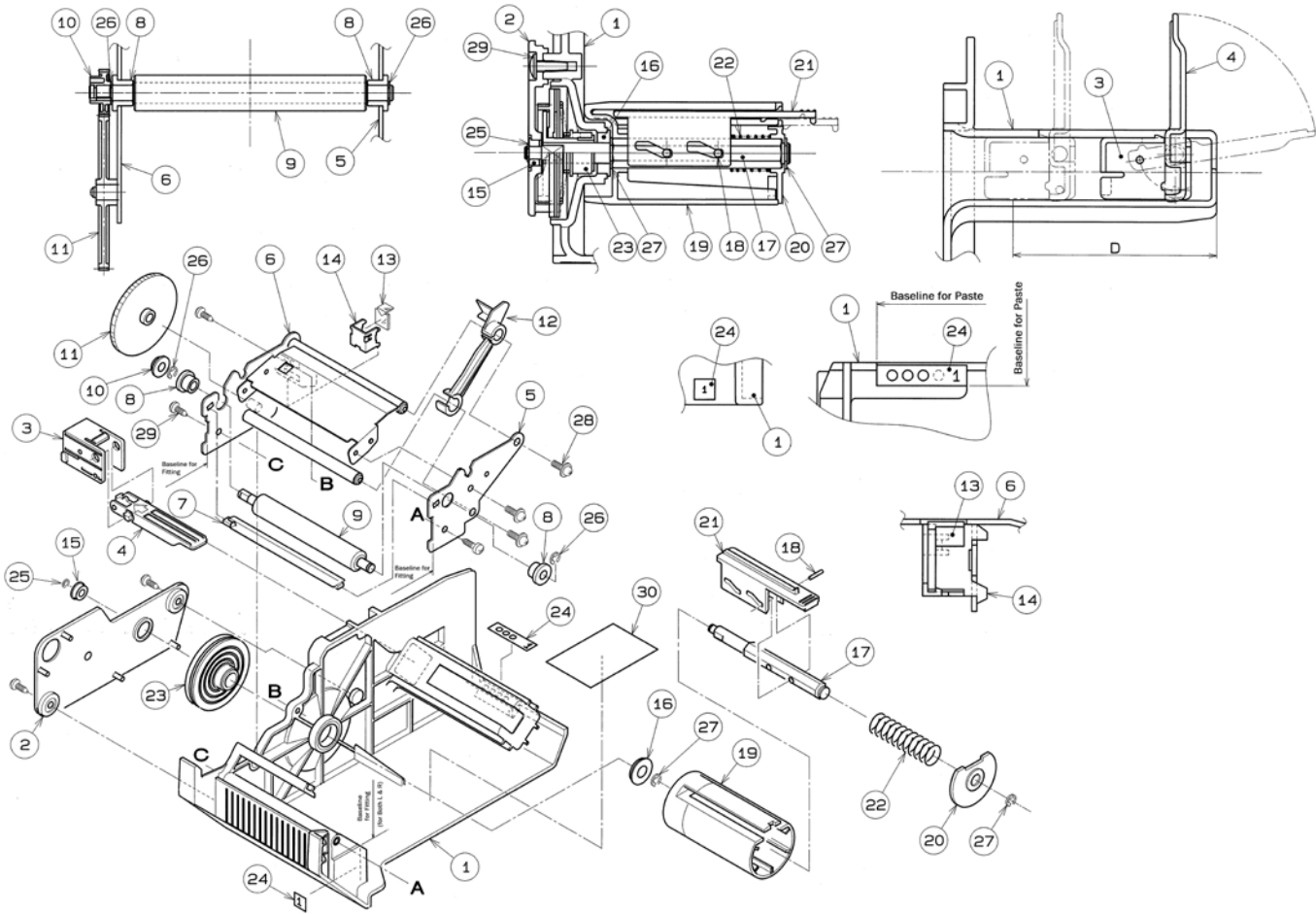
Cassette Unit



## Part Number/Price

Ref #	Part #	Description	Synonym	Price
—	<b>87514</b>	Cassette unit, complete assembly	000-065-1662-38	\$243.00
1	<b>Consult</b>	Main body, printer, cassette	000-063-8272-21	Consult
2	<b>Consult</b>	Cover, gear	000-063-8270-23	Consult
3	<b>175358</b>	Holder, guide, label	000-063-8267-21	\$3.00
4	<b>175359</b>	Lever, guide, label	000-063-8414-22	\$3.00
5	<b>Consult</b>	Plate b, printing roller	000-064-0134-19	Consult
6	<b>Consult</b>	Flame, printing, L	000-064-0136-34	Consult
7	<b>Consult</b>	Plate assy, peeling shaft	000-064-0062-23	Consult
8	<b>93355</b>	Bush	000-064-0201-24	\$5.00
9	<b>93339</b>	Roller, print	000-064-0202-37	\$25.00
10	<b>93341</b>	Gear, flat	000-063-8269-29	\$4.00
11	<b>93340</b>	Gear, flat	000-063-8268-25	\$3.00
12	<b>100519</b>	Guide, label	000-063-8271-18	\$3.00
13	<b>198410</b>	Block B, prism	000-063-8261-20	\$4.00
14	<b>Consult</b>	Bracket, prism	000-063-8262-05	Consult
15	<b>93342</b>	Bush	000-064-0058-19	\$4.00
16	<b>172635</b>	Bearing, radial	000-000-3727-05	\$14.00
17	<b>157780</b>	Shaft, step, winding	000-064-0175-21	\$25.00
18	<b>157778</b>	Spring pin	000-034-0034-03	\$2.00
19	<b>101104</b>	Bobbin, rolling	000-064-0176-24	\$6.00
20	<b>157781</b>	Cover, rolling	000-064-0174-27	\$3.00
21	<b>101105</b>	Holder, rolling, hold	000-064-0189-22	\$3.00
22	<b>157782</b>	Spring, coil compress	000-064-0192-06	\$3.00
23	<b>116740</b>	Torque, limiter	000-065-1663-04	\$46.00
24	<b>182045</b>	Decal, cassette, No. 1	000-065-1664-26	\$12.00
	<b>93235</b>	Decal, cassette, No. 2-7	000-065-1755-21	\$5.00
25	<b>46986</b>	E ring, M3 SST	000-000-0287-02	\$2.00
26	<b>46984</b>	E ring, M4 SST	000-000-0288-06	\$2.00
27	<b>46977</b>	E ring, M6 SST	000-000-0290-04	\$2.00
28	<b>201594</b>	Tapping screw, M4x8 mm SST	000-124-0225-03	\$4.00
29	<b>200526</b>	Tapping screw, cross bind, M4x10 SST	000-065-1665-01	\$2.00
30	<b>Consult</b>	Name plate, explanation	000-066-1810-02	Consult

# WIL-Acro II Cassette Unit



Printers

# WIL-Acro II

Controller Unit

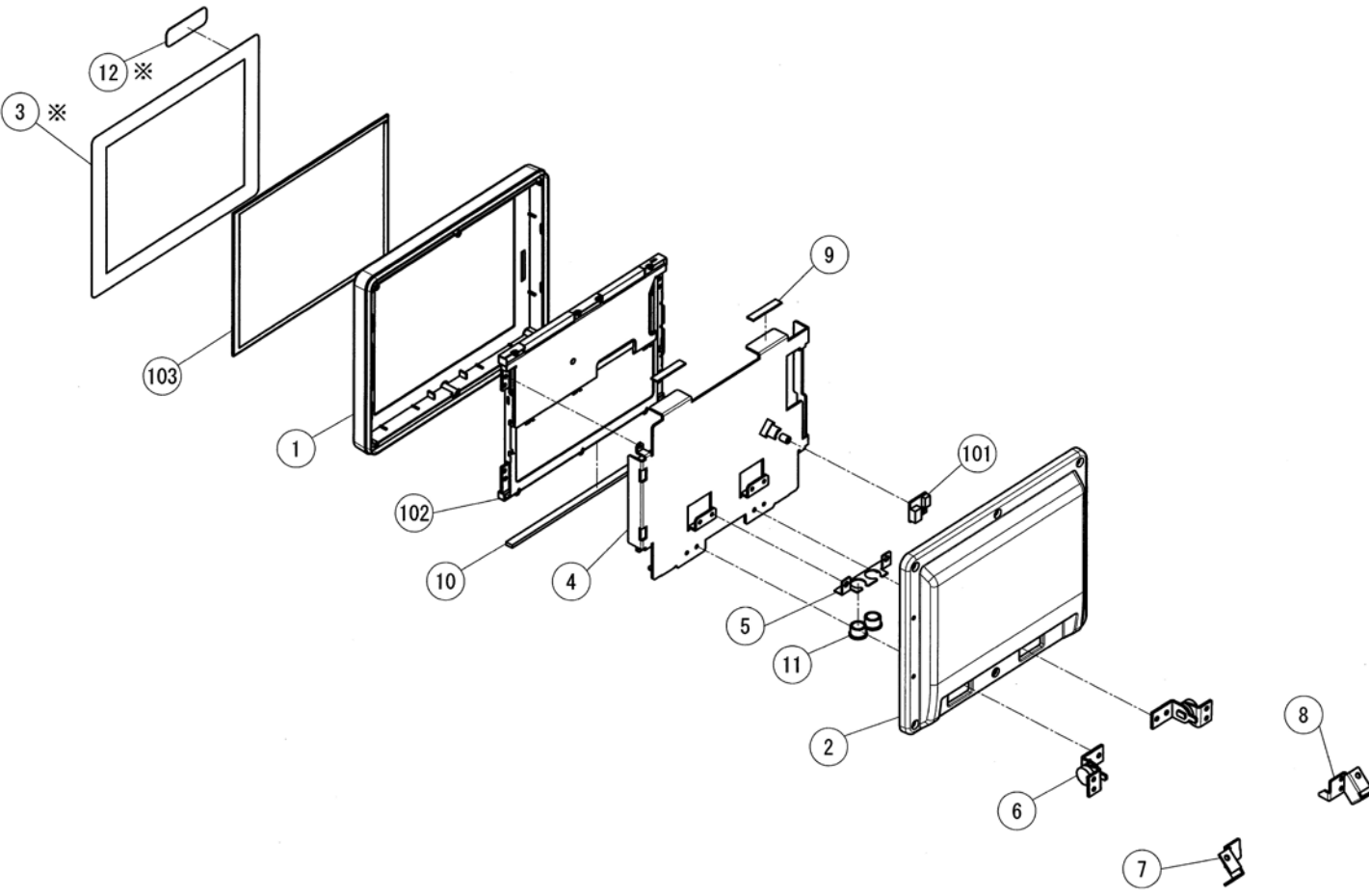


## Part Number/Price

Ref #	Part #	Description	Synonym	Price
1	<b>185715</b>	Case, controller, front	000-109-2163-10	\$17.00
2	<b>198389</b>	Case, controller, rear	000-109-2162-07	\$20.00
3	<b>185574</b>	Sheet, display	000-150-3175-09	\$231.00
4	<b>Consult</b>	Frame, controller	000-150-3133-02	Consult
5	<b>Consult</b>	Bracket, fix, harness	000-108-6452-13	Consult
6	<b>198411</b>	Hinge, torque	000-072-8703-02	\$33.00
7	<b>198412</b>	Bracket, display, R	000-072-8557-32	\$19.00
8	<b>198413</b>	Bracket, display, L	000-072-8556-39	\$19.00
9	<b>Consult</b>	Sheet	000-106-7218-08	Consult
10	<b>Consult</b>	Sheet	000-110-7849-03	Consult
11	<b>Consult</b>	Accessory, bush, open lock	000-013-8915-08	Consult
12	<b>185575</b>	Name plate, type	000-150-3176-03	\$110.00
101	<b>198416</b>	PWB, P-1033	000-117-2806-06	\$17.00
102	<b>185546</b>	Display, LCD	000-142-1591-03	\$506.00
103	<b>87529</b>	Touch panel, analog	000-091-8918-25	\$120.00
104*	<b>198414</b>	Harness, C4, LCD	100-016-7698-00	\$156.00
105*	<b>198415</b>	Harness, C2, touch panel	100-016-7699-00	\$55.00

\* See Main Body Wiring Diagram - WIL-Acro II on page 120: items 3-104 and 3-105

# WIL-Acro II Controller Unit



Printers

# IP-Ai-P

## Main Body Frame Unit and Wiring Diagram



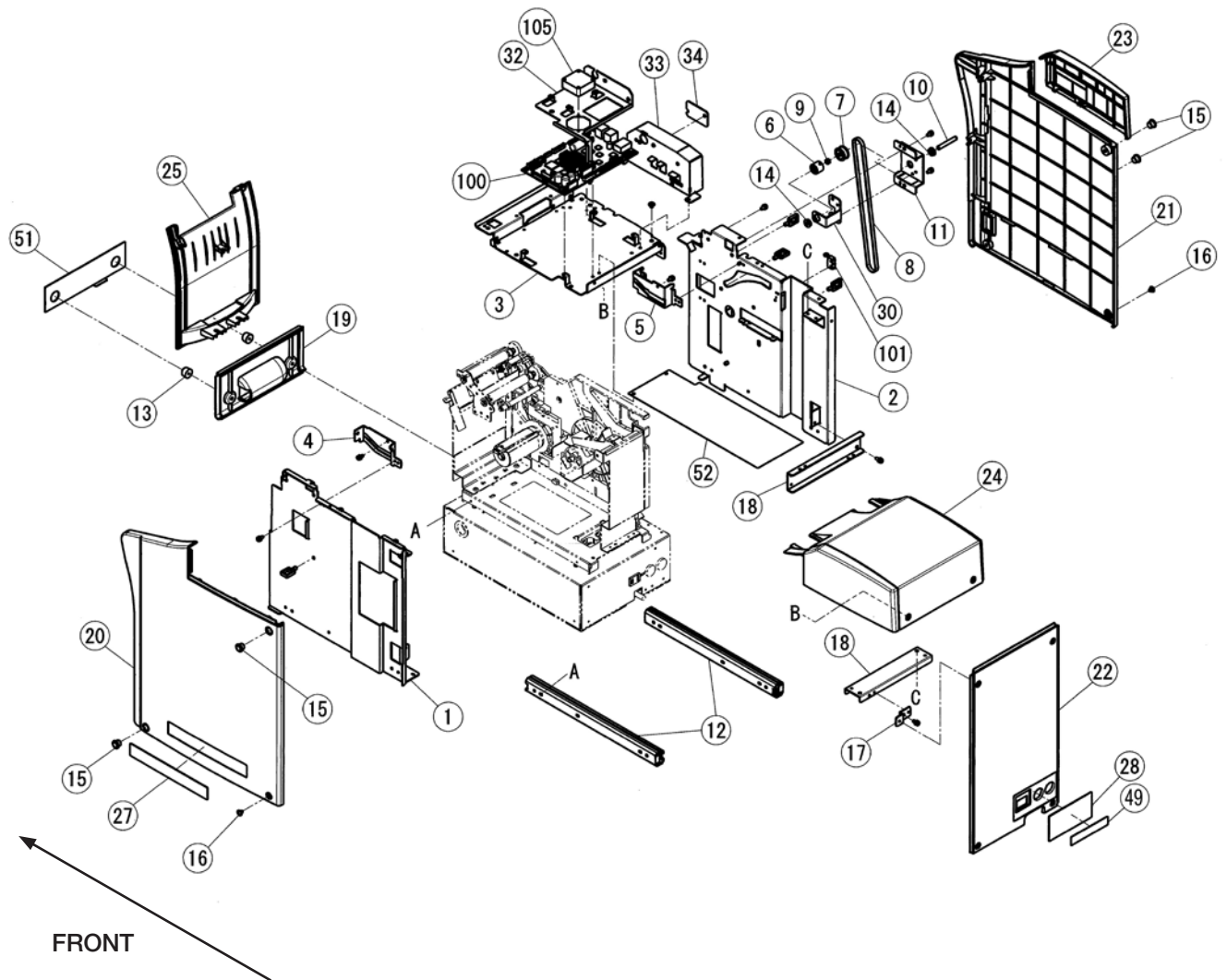
### Part Number/Price

Ref #	Part #	Description	Synonym	Price
1	Consult	Frame, right	100-001-0140-01	Consult
2	Consult	Frame, left	100-001-0138-01	Consult
3	Consult	Frame, upper	100-001-0146-06	Consult
4	Consult	Rail, slide, right	000-111-5818-17	Consult
5	Consult	Rail, head, left	100-001-0139-01	Consult
6	187312	Gear, flat	000-110-7768-14	\$11.00
7	187313	Timing pulley, S3M	000-110-7770-21	\$16.00
8	174982	Timing belt, S3M	000-110-7891-10	\$11.00
9	187314	Collar, spacer	000-117-9639-15	\$2.00
10	187315	Shaft, drive	100-001-0147-00	\$6.00
11	Consult	Bracket, gear	100-001-0135-02	Consult
12	187316	Rail, slider	000-043-1905-02	\$40.00
13	Consult	Rubber pad	000-130-0983-02	Consult
14	187317	Bearing, radial	100-002-9830-00	\$10.00
—	46984	E-ring, 4 mm, stainless steel	000-000-0288-06	\$2.00
15	42967	Cap	000-001-4457-10	\$2.00
16	202414	Step screw, truss	000-112-1419-08	\$2.00
17	Consult	Bracket, cover, rear	100-001-0134-01	Consult
18	Consult	Frame, main body	100-001-0133-00	Consult
19	Consult	Cover, front, below	000-110-7907-16	Consult
20	198608	Cover, right side	000-110-7908-20	\$55.00
21	198610	Cover, left side	000-110-7906-12	\$55.00
22	198611	Cover, rear	000-110-7905-19	\$25.00
23	189319	Cover, left, upper	000-110-7903-12	\$12.00
24	Consult	Cover assy, machine, upper	000-110-7928-14	Consult
25	206555	Cover, front	000-110-7909-13	\$28.00
27	Consult	Name plate, specification		Consult
28	Consult	Name plate, explanation	100-001-5341-00	Consult
30	Consult	Bracket, bearing	100-002-7191-01	Consult
32	Consult	Bracket, fan	100-001-0166-01	Consult
33	Consult	Cover, board	100-001-0163-02	Consult
34	Consult	Cover, blank	100-001-0164-01	Consult
49	186497	Name plate, EMC	100-000-5604-00	\$6.00
51	Consult	Cover, weigh	000-111-5799-10	Consult
52	Consult	Sheet, circuit board	100-014-6580-00	Consult
100	158280	PWB, P-1100A, main CPU board	000-141-6280-26	\$1,744.00
—	178290	CF card, SSD with OS, IP-Ai-P	100-004-8422-00	\$393.00
101	174983	Sensor assy, cassette open/closed	100-000-4614-01	\$50.00
102*	Consult	Harness, S2, power switch	100-000-9767-01	Consult
103*	Consult	Harness, C2, keyboard	100-000-4022-01	Consult
104*	196353	Harness, C2, thermal head	100-000-4615-02	\$103.00
105	174984	Fan assy	000-137-0800-14	\$94.00
106*	186520	Harness, S1, jumper	000-133-8499-16	\$8.00
108	186534	Accessory, clamp, shield	000-135-7195-06	\$5.00
109*	186530	Filter, ferrite core	000-102-3466-01	\$9.00
110*	187318	Filter, ferrite core	000-074-0769-03	\$8.00
111*	186522	Filter, ferrite core	000-096-9524-03	\$11.00
112	198409	Gasket, conductive	000-139-2688-06	\$3.00
113	198408	Gasket, conductive	000-139-2689-00	\$2.00
999	Consult	Accessory, clamp, LWS clamp	000-073-7213-08	Consult
999	Consult	Accessory, clamp, LWS clamp	000-073-7212-04	Consult
999	Consult	Cover, harness	100-008-0881-01	Consult

\* See Wiring Diagram - IP-Ai-P on page 130: items 1-102 to 1-111

# IP-Ai-P

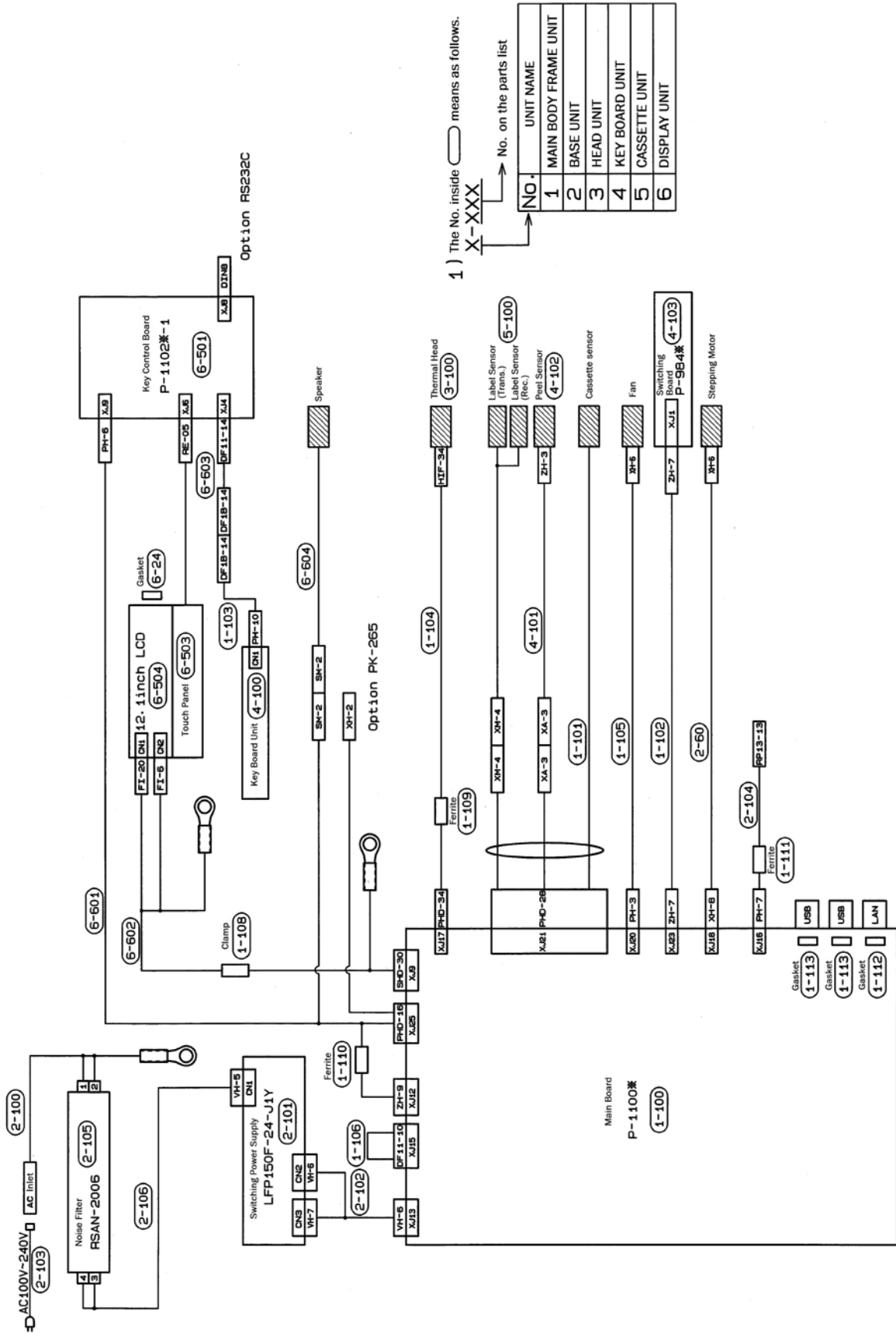
## Main Body Frame Unit



Printers

# IP-Ai-P

## Wiring Diagram





# IP-Ai-P

Base Unit



## Part Number/Price

Ref #	Part #	Description	Synonym	Price
1	Consult	Base, under	100-001-0131-00	Consult
2	Consult	Base, under	100-001-0129-01	Consult
3	Consult	Bracket, motor	100-001-0132-01	Consult
4	174988	Timing pulley, S3M	000-110-7767-11	\$10.00
5	Consult	Bracket, connector	000-110-7787-24	Consult
6	174985	Motor assy, stepping	100-000-9766-01	\$92.00
7	174989	Rubber pad	000-130-0982-09	\$4.00
—	41819	Screw, phillips M4-0.7x15 pan head/washers	004-0749-05	\$2.00
8	Consult	Accessory, bush, one touch	000-018-9836-07	Consult
9	Consult	Accessory, bush, one touch	000-001-9353-05	Consult
14	Consult	Plate B, catch	100-001-0169-01	Consult
15	Consult	Accessory, clamp, LWS clamp	000-073-7212-04	Consult
17	Consult	Bracket, filter, noise	100-001-3646-00	Consult
18	Consult	Name plate, cover	000-148-1052-06	Consult
100	187319	AC inlet assy	100-001-0284-00	\$25.00
101	171862	Power supply, switching LFP150F-24-J1Y	000-148-4466-05	\$130.00
102*	187322	Harness, C3, power DC	100-000-4616-00	\$19.00
103	119506	Power cord, 90 degree molded	000-089-5787-04	\$23.00
104	174986	Harness, C2, weigh	100-003-3402-01	\$62.00
105	174987	Filter, noise, AC line	000-139-2671-03	\$79.00
106	187321	Harness, C3, power supply AC	100-001-2008-00	\$21.00

\* See Wiring Diagram - IP-Ai-P on page 130: item 2-102



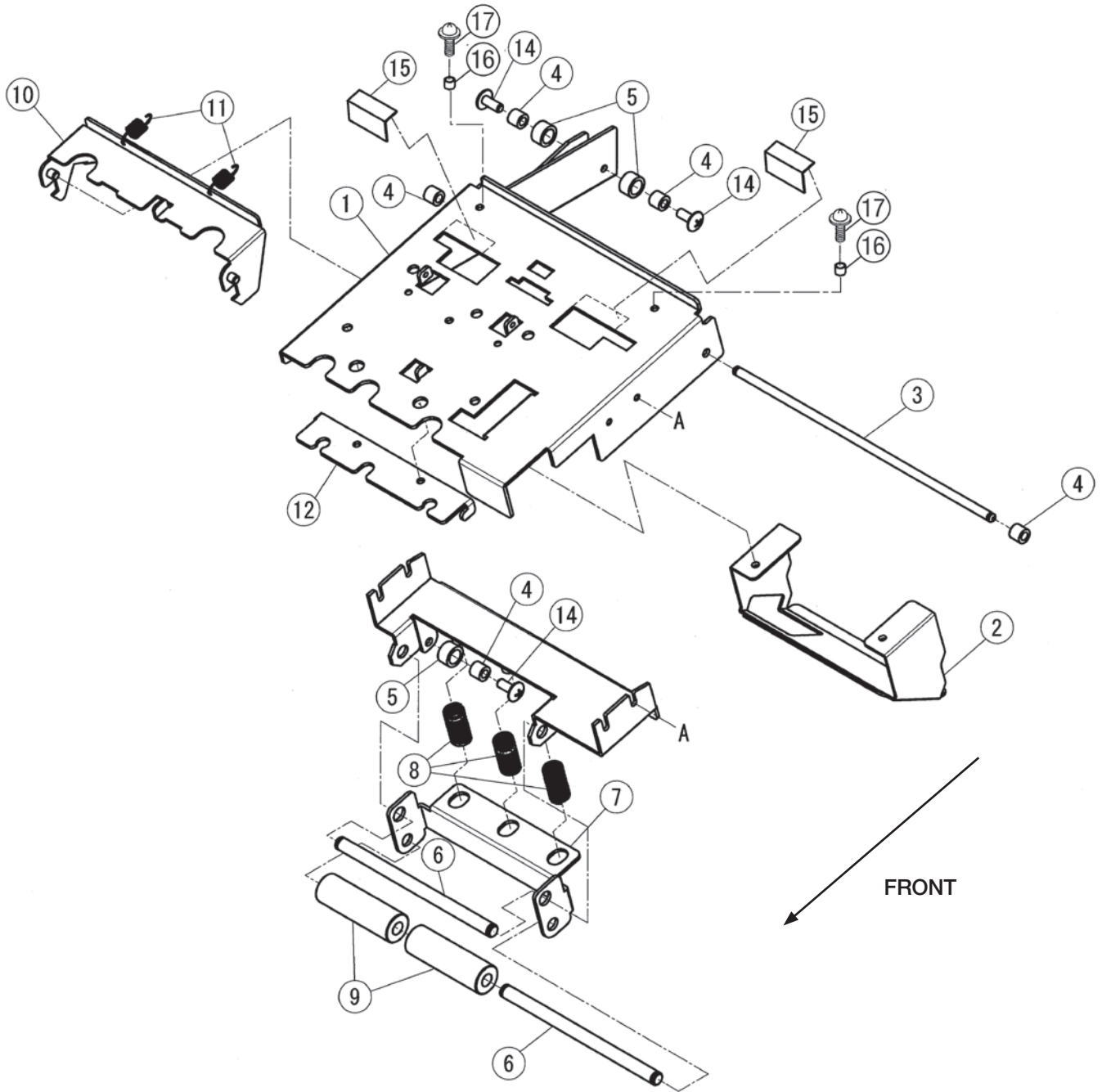
# IP-Ai-P

Printer Unit



## Part Number/Price

Ref #	Part #	Description	Synonym	Price
1	213942	Frame assy, head	100-000-9886-03	\$77.00
2	187323	Guide, label, upper	100-000-9889-01	\$10.00
3	174990	Shaft, slide, head	100-000-9903-00	\$10.00
4	174991	Bush	000-066-7780-06	\$7.00
5	174992	Collar	000-074-7026-05	\$9.00
6	174993	Shaft, fulcrum, pinch roller	000-110-7649-14	\$8.00
7	187324	Bracket, shaft	100-000-9890-00	\$21.00
8	174994	Spring, coil, compressive	100-000-9899-01	\$5.00
9	174995	Roller, label	100-000-9891-00	\$20.00
10	187325	Lock, thermal	100-000-9892-01	\$16.00
11	174996	Spring, coil, tension	100-000-9893-01	\$5.00
12	187326	Stay, head, thermal	000-111-5833-13	\$6.00
14	174997	Screw, cross truss M4x10 mm	000-007-1060-09	\$2.00
15	Consult	Tape, one side	100-011-7850-00	Consult
16	115169	Collar, spacer	000-048-6074-02	\$2.00
17	42728	Tapping screw	000-000-0436-01	\$2.00



Printers

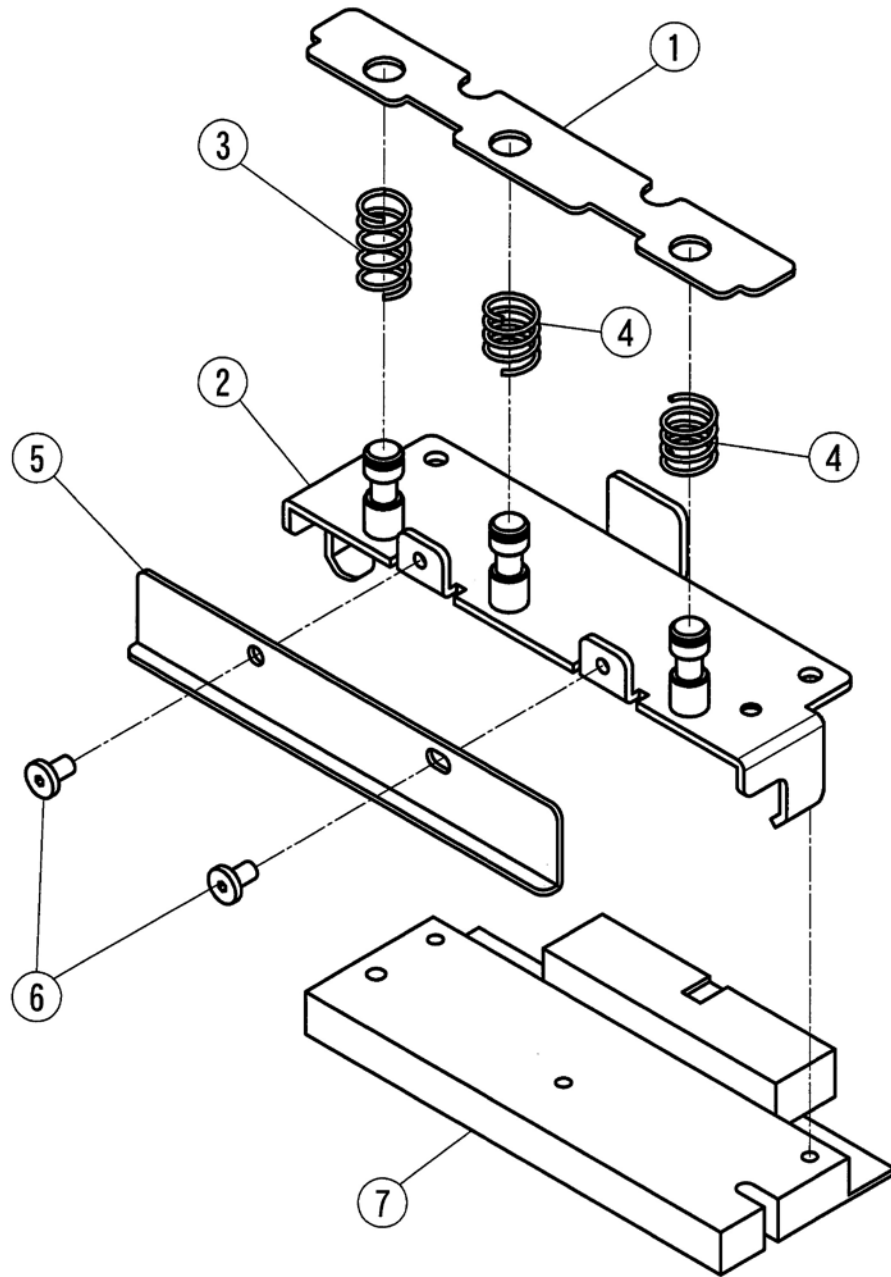
# IP-Ai-P

Head Unit



## Part Number/Price

Ref #	Part #	Description	Synonym	Price
1	<b>187327</b>	Holder, spring, head	100-000-9894-01	\$5.00
2	<b>187329</b>	Bracket, head	100-000-9895-04	\$22.00
3	<b>96435</b>	Spring, coil, compressive	000-096-9830-03	\$3.00
4	<b>96436</b>	Spring, coil, compressive	000-096-9831-07	\$3.00
—	<b>48784</b>	Screw, M3x6 w/flange (mounting screw)	000-010-0725-06	\$2.00
5	<b>187330</b>	Guide, label, upper	100-000-9917-01	\$4.00
6	<b>48784</b>	Tapping screw, M3x6 pan head SST	000-010-0725-06	\$2.00
7	<b>171875</b>	Print head, thermal	100-010-2669-00	\$426.00
—	<b>163396</b>	Snap ring (for springs)	089-5836-03	\$2.00



# IP-Ai-P

Keyboard Unit



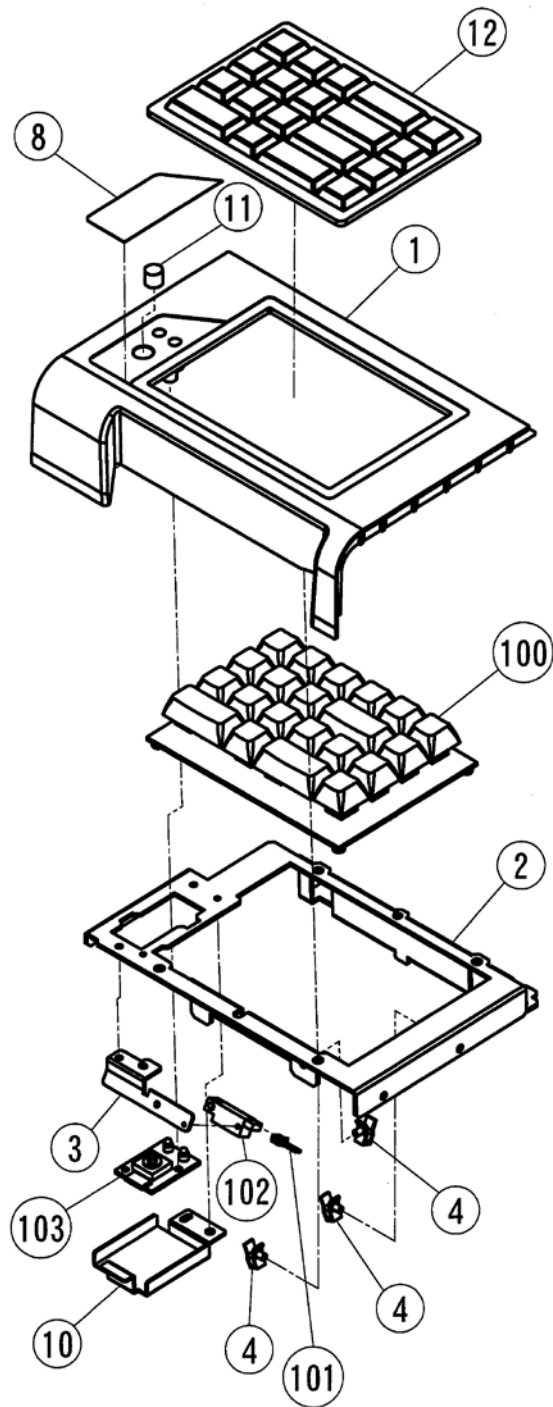
## Part Number/Price

Ref #	Part #	Description	Synonym	Price
1	<b>174998</b>	Cover, key	000-110-7901-14	\$23.00
2	<b>187331</b>	Bracket, key	100-000-9896-01	\$20.00
3	<b>187332</b>	Bracket, sensor	100-000-9900-00	\$19.00
4	<b>187333</b>	Accessory, clamp, mini clamp	000-055-3215-07	\$2.00
8	<b>174999</b>	Sheet, switch	000-145-9802-00	\$24.00
10	<b>187334</b>	Cover, switch	000-115-6270-10	\$29.00
11	<b>187335</b>	Block, ps, round block	000-115-6484-01	\$8.00
12	<b>98400</b>	Cover, 10-key, clear, adhesive	000-092-8430-13	\$66.00
100	<b>187308</b>	Keyboard unit, IP-Ai-P	100-012-2961-00	\$388.00
101	<b>187337</b>	Harness, C2, peel sensor	100-000-9768-02	\$8.00
102	<b>175000</b>	Photo interruptor, reflective, peel sensor	100-001-1900-00	\$19.00
103	<b>158263</b>	PWB, P-984, ON/OFF key	000-106-1319-19	\$50.00

\* See Wiring Diagram - IP-Ai-P on page 130: items 4-1xx

# IP-Ai-P

Keyboard Unit



Printers

# IP-Ai-P

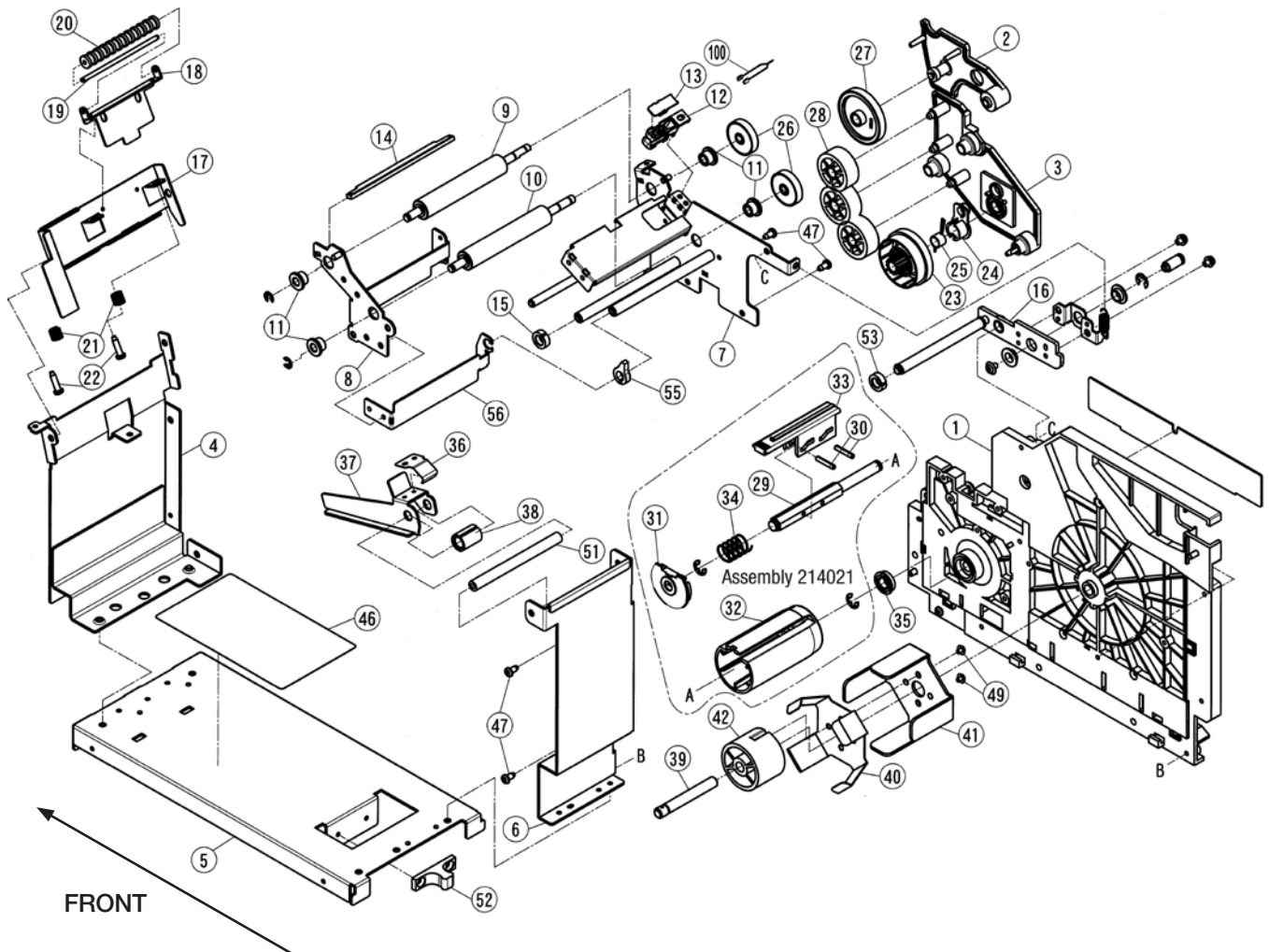
Cassette Unit



## Part Number/Price

Ref #	Part #	Description	Synonym	Price
—	<b>196267</b>	Cassette unit, complete assembly	100-002-8497-07	\$730.00
1	<b>196265</b>	Frame, cassette	100-000-6448-00	\$146.00
2	<b>Consult</b>	Cover, gear	100-000-6449-01	Consult
3	<b>Consult</b>	Cover, gear, rolling	100-000-6450-00	Consult
4	<b>Consult</b>	Frame, cassette, front	000-110-7870-21	Consult
5	<b>Consult</b>	Base, cassette	100-000-9908-01	Consult
6	<b>Consult</b>	Frame, cassette, rear	100-000-9909-01	Consult
7	<b>Consult</b>	Frame assy, print	100-000-9910-02	Consult
8	<b>Consult</b>	Frame, print, cassette	100-000-9911-00	Consult
9	<b>175001</b>	Roller, printer, round 15.6	100-000-9912-00	\$59.00
10	<b>175002</b>	Roller, printer, round 15.3	100-000-9913-00	\$59.00
11	<b>93355</b>	Bush	000-064-0201-24	\$5.00
12	<b>175003</b>	Holder, sensor	100-000-6451-00	\$3.00
13	<b>175004</b>	Cover, sensor	000-100-2745-30	\$10.00
14	<b>175005</b>	Plate assy, peeling pole	100-014-0617-00	\$13.00
15	<b>45201</b>	Guide, label	000-020-6991-20	\$11.00
16	<b>187345</b>	Lever unit, damper	100-000-9921-00	\$128.00
17	<b>Consult</b>	Bracket, roller, assist	000-110-7871-33	Consult
18	<b>Consult</b>	Holder, roller, assist	000-111-5945-26	Consult
19	<b>187346</b>	Shaft, roller, assist	000-113-8068-07	\$4.00
20	<b>187347</b>	Roller, assist	000-113-8069-01	\$28.00
21	<b>187348</b>	Spring, coil, compress	000-059-8733-07	\$9.00
22	<b>187349</b>	TEP screw, pan head	000-115-6299-08	\$3.00
23	<b>187350</b>	Limitter assy, one way	000-110-7913-18	\$59.00
24	<b>187351</b>	Brake spr bracket	000-110-7929-17	\$13.00
25	<b>187352</b>	Brake spr	000-110-7936-13	\$25.00
26	<b>187354</b>	Gear, idler, 25	000-074-7260-01	\$12.00
27	<b>187355</b>	Gear, flat	000-074-7261-04	\$3.00
28	<b>187356</b>	Gear, flat	100-000-6457-00	\$23.00
29	<b>187357</b>	Shaft, step, wind	000-110-7866-25	\$72.00
—	<b>46977</b>	E-ring, M6, stainless steel	000-000-0290-04	\$2.00
30	<b>187358</b>	Spring pin M3x16 mm SST	000-017-2601-06	\$2.00
31	<b>157781</b>	Cover, rolling	000-064-0174-27	\$3.00
32	<b>101104</b>	Bobbin, rolling	000-064-0176-24	\$6.00
33	<b>101105</b>	Holder, rolling, hold	000-064-0189-22	\$3.00
34	<b>157782</b>	Spring, coil, compress	000-064-0192-06	\$3.00
35	<b>172635</b>	Bearing, radial	000-000-3727-05	\$14.00
36	<b>187360</b>	Spring, lever	100-000-9923-03	\$4.00
37	<b>187361</b>	Guide, label roll	100-000-9924-02	\$12.00
38	<b>187362</b>	Holder, guide, label	100-000-7271-00	\$3.00
39	<b>187363</b>	Shaft, bobbin	100-000-9926-00	\$15.00
40	<b>187364</b>	Spring plate, pipe	000-113-8070-05	\$12.00
41	<b>187365</b>	Guide, printer, cassette	000-113-8071-18	\$11.00
42	<b>187366</b>	Roller	000-011-0853-07	\$8.00
46	<b>Consult</b>	Name plate, explanation	100-000-9959-01	Consult
47	<b>187367</b>	Tapping screw, plus, threadlock M4x8 SST	000-075-1405-09	\$2.00
49	<b>187369</b>	Tapping screw M3x4 washer head SST	000-113-8429-08	\$2.00
51	<b>187370</b>	Threaded rod, round, mm	000-072-8832-19	\$13.00
52	<b>175006</b>	Catch and ball assembly (2 piece kit)	000-017-5651-03	\$21.00
53	<b>187371</b>	Guide, label	000-110-7878-11	\$16.00
55	<b>187372</b>	Guide, label	100-010-3769-00	\$92.00
56	<b>Consult</b>	Bracket, guide, label	100-010-3770-00	Consult
100	<b>175007</b>	Sensor assy, label	100-000-4626-02	\$42.00
999	<b>Consult</b>	Cover, cassette, harness	100-000-9927-01	Consult
999	<b>187373</b>	Spring, coil, tension	100-000-9919-00	\$12.00
999	<b>187368</b>	Collar, spacer	000-074-7219-07	\$2.00
999	<b>Consult</b>	Accessory, band, cable tie	000-020-7402-08	Consult
ASSY	<b>214021</b>	Take-up, label backing paper	000-176-0212-04	\$94.00
ASSY	<b>196267</b>	Cassette unit, complete assembly	100-002-8497-07	\$730.00

**IP-Ai-P**  
Cassette Unit



**Printers**

# IP-Ai-P

Display Unit



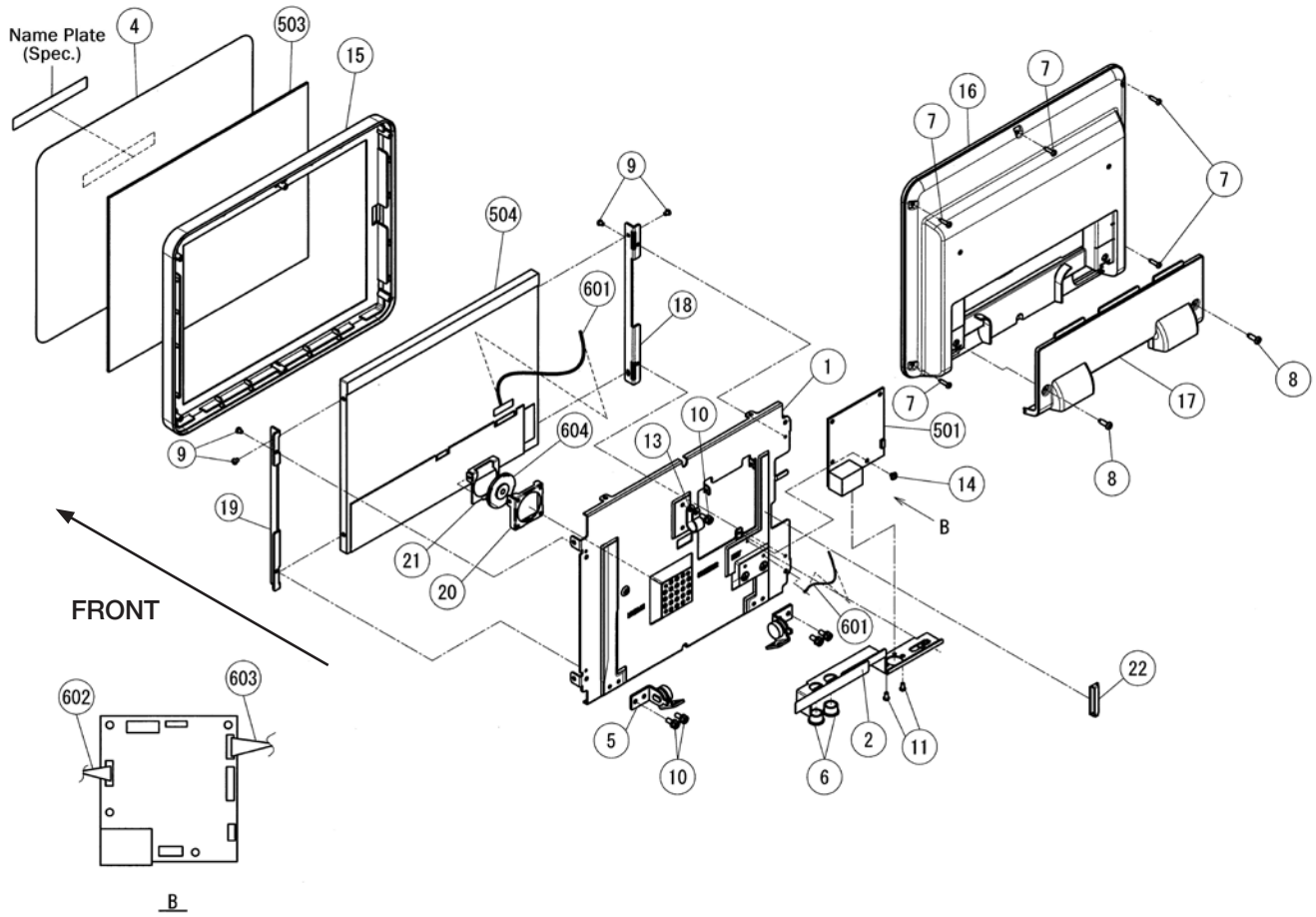
## Part Number/Price

Ref #	Part #	Description	Synonym	Price
ASSY	<b>200434</b>	Display unit, complete assembly	100-003-3403-00	\$1,550.00
1	<b>Consult</b>	Frame, controller	100-000-2465-00	Consult
2	<b>Consult</b>	Bracket, connector, A	000-110-7915-33	Consult
4	<b>171880</b>	Sheet, display	000-135-5531-43	\$38.00
5	<b>Consult</b>	Hinge, torque	000-112-9612-00	Consult
6	<b>Consult</b>	Accessory, bush, open lock	000-013-8915-08	Consult
7	<b>189335</b>	Tapping screw, M3x12, cross pan head, p tite	000-072-8766-07	\$2.00
8	<b>189336</b>	Tapping screw, M4x12, cross pan head, type 2	000-072-8768-04	\$2.00
9	<b>Consult</b>	Screw, M3.5x4, cross pan button head, zinc	000-002-1849-03	\$2.00
10	<b>189337</b>	Cross hexagon bolt, M4x10, flange, zinc	000-000-0338-09	\$2.00
11	<b>48233</b>	Screw, cross pan head M3x6 pan head SST	000-000-0069-07	\$2.00
13	<b>189311</b>	Accessory, clamp, nylon clamp	000-003-6921-04	\$2.00
14	<b>116073</b>	Screw, M3x4 button flange head zinc	000-047-3842-08	\$2.00
15	<b>171881</b>	Case, controller, front	000-135-4691-06	\$21.00
16	<b>Consult</b>	Case assy, controller, rear	000-135-4692-00	Consult
17	<b>Consult</b>	Cover, connector	000-135-4693-03	Consult
18	<b>189312</b>	Bracket, LCD, left	100-000-2468-00	\$9.00
19	<b>189314</b>	Bracket, LCD, right	100-000-2467-00	\$9.00
20	<b>Consult</b>	Case, speaker	100-002-7398-01	Consult
21	<b>Consult</b>	Cover, speaker	100-002-7397-01	Consult
22	<b>186529</b>	Accessory, clamp, flat cable	000-150-3050-07	\$3.00
501	<b>171882</b>	PWB, P-1102A-4, display controller	100-003-3188-02	\$190.00
503	<b>171883</b>	Touch panel, analog	000-135-4851-14	\$229.00
504	<b>158278</b>	Display, LCD, TFT	000-135-4850-12	\$495.00
601	<b>187338</b>	Harness, C5, LCD display	100-001-2012-00	\$173.00
602	<b>187339</b>	Harness, C5, communication	100-001-2009-01	\$50.00
603	<b>187340</b>	Harness, C2, keyboard junction	100-001-4007-00	\$25.00
604	<b>172673</b>	Speaker assy	000-140-7074-11	\$84.00
999	<b>Consult</b>	Bracket assy, display	100-001-0162-00	Consult
999	<b>Consult</b>	Gasket, conductive	100-001-4006-00	Consult
MAINT	<b>200434</b>	Display unit assy, includes 171883, 158278 Brackets, Cases, Covers, Harnesses and Hardware	100-003-3403-00	\$1,550.00

\* See "the Wiring Diagram - IP-Ai-P" on page 130: items 6-6xx

# IP-Ai-P

Display Unit



PN 200434 Display Unit, Complete Assembly

Printers



# Hanging Scales

<b>Table of Contents</b> .....	<b>145</b>
<b>Uni-3L2H</b> .....	<b>146</b>
<i>Hanging</i>	
<b>Uni-7H</b> .....	<b>150</b>
<i>Scale</i>	
<b>Uni-7H</b> .....	<b>154</b>
<i>Scale, Printer</i>	
<b>Uni-7H</b> .....	<b>156</b>
<i>Scale, Label Cassette</i>	
<b>Uni-8H</b> .....	<b>158</b>
<i>Hanging</i>	
<b>Uni-8H</b> .....	<b>162</b>
<i>Wiring Diagram</i>	
<b>Uni-9H</b> .....	<b>164</b>
<i>Scale</i>	
<b>Uni-9H</b> .....	<b>168</b>
<i>Printer</i>	
<b>Uni-9H</b> .....	<b>170</b>
<i>Cassette</i>	
<b>Uni-10H</b> .....	<b>172</b>
<i>Main Body</i>	
<b>Uni-10H</b> .....	<b>176</b>
<i>Printer</i>	
<b>Uni-10H</b> .....	<b>178</b>
<i>Cassette</i>	
<b>Uni-10H</b> .....	<b>180</b>
<i>Harness Unit</i>	

# Uni-3L2H

Hanging



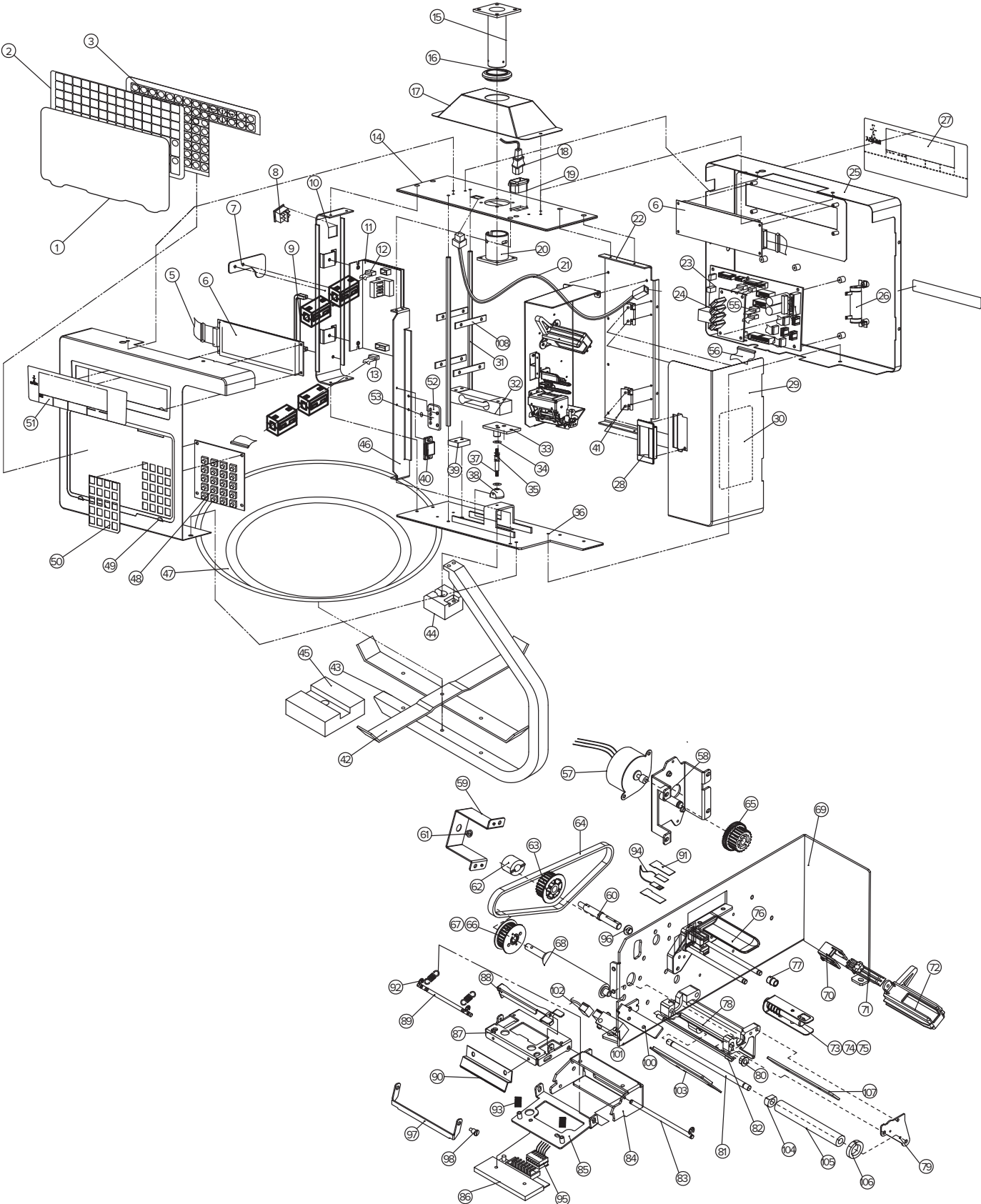
## Part Number/Price

Ref #	Part #	Description	Synonym	Price
1	190276	Cover, keyboard	000-901-5117-01	\$4.00
2	190277	Edit keyboard	000-901-3962-04	\$21.00
3	102813	Keyboard, membrane, contacts only	000-900-2850-00	\$54.00
5	Consult	Harness, LCD1 380 mm	000-900-3632-17	\$6.00
6	169732	Display, LCD, dot	000-901-4404-06	\$281.00
7	Consult	Bracket, seal	000-900-3668-01	\$10.00
8	66398	Switch	000-900-0305-09	\$13.00
9	Consult	Handle	000-901-5060-02	\$11.00
10	Consult	Bracket, O2, left	000-900-3648-07	\$29.00
11	107707	Power supply, LFS100-24	000-089-5503-03	\$252.00
12	216628	Harness, C3, power, in from switch	000-900-2841-06	\$12.00
13	47073	Harness, S2, power, out to CPU	000-900-0286-11	\$34.00
14	Consult	Upper base	000-901-3958-27	\$48.00
15	104649	Accessory, weld, assembly	000-900-3656-25	\$30.00
16	104650	Seal, rubber	000-900-3673-01	\$7.00
17	104651	Cover, upper	000-900-3649-29	\$54.00
18	80991	Power cable	000-900-3335-11	\$21.00
19	Consult	Harness, C4, power	000-900-2156-08	\$4.00
20	104654	Bracket, scale mounting with flange	000-900-3655-21	\$30.00
21	Consult	Harness, TCP IP	000-900-6742-05	\$7.00
21.1	Consult	PWB, PS-047, TCP/IP	000-900-6794-09	\$2.00
21.2	Consult	Harness, C5, TCP/IP	000-900-6795-02	\$5.00
21.3	Consult	Connector, net	000-900-6796-06	\$3.00
22	Consult	Base, printer	000-900-3671-12	\$27.00
23	169730	PWB, PS-990G2, CPU board, 2MB	000-901-2410-11	\$775.00
24	169729	PWB, PS-067, A/D board	000-901-2446-14	\$239.00
25	Consult	Cover, custom	000-901-4401-14	\$201.00
26	104172	Resistor assembly	000-900-2839-08	\$30.00
27	190278	Sheet, display customer	000-901-4438-02	\$11.00
28	Consult	Handle	000-901-5059-08	\$14.00
29	Consult	Cover, printer	000-901-5023-13	\$80.00
30	169735	Label loading instruction decal, printer door	000-901-3973-14	\$2.00
31	Consult	Screw, support	000-900-3657-01	\$3.00
32	80963	Plate, welded hook, load cell mount	000-900-2490-11	\$159.00
33	165282	Accessory, WELD, hook	000-900-3654-00	\$12.00
34	104669	Washer, hook load cell arm	000-900-3666-04	\$3.00
35	104668	Spring, hook, load cell arm	000-900-2477-03	\$5.00
36	Consult	Base, bottom	000-900-3647-21	\$48.00
37	165010	Screw, hook, load cell arm	000-900-3665-01	\$13.00
38	104667	Ball, hook, load cell arm	000-900-3664-07	\$24.00
39	Consult	Block, LC	000-900-2140-09	\$13.00
40	Consult	Magnetic catch	000-900-2261-06	\$2.00
41	66383	Hinge, printer door	000-900-4296-03	\$3.00
42	183910	Platter support, cross bar	000-901-5116-07	\$50.00
43	104671	Platter support, mounting bar	000-900-2144-03	\$77.00
44	104672	Mounting block, bar connect	000-900-2139-04	\$54.00
45	Consult	Block, tilt compensation	000-901-3747-19	\$37.00
—	215591	Screw, machine M4 0.7 × 20 phillips pan head stainless steel		\$1.25
46	Consult	Bracket, printer	000-900-3646-28	\$16.00
47	104673	Platter	000-900-2257-01	\$54.00
—	109499	Rectangular platter assembly – includes mounting bracket		\$163.00
48	102817	PWB, PS-037, tactile keyboard	000-900-2862-13	\$54.00
49	Consult	Cover, operation	000-901-5118-04	\$228.00
50	190280	Sheet, keypad cover	000-900-3669-14	\$3.00
51	190279	Sheet, display operator	000-901-4439-06	\$9.00
52	Consult	Bracket, GND	000-900-1174-01	\$2.00
53	Consult	Label, GND cord	000-900-1338-05	\$1.00
55	Consult	Harness, LCD1 380MM	000-900-3632-17	\$6.00

Hanging Scales

# Uni-3L2H

Hanging



Hanging Scales

# Uni-3L2H

Hanging



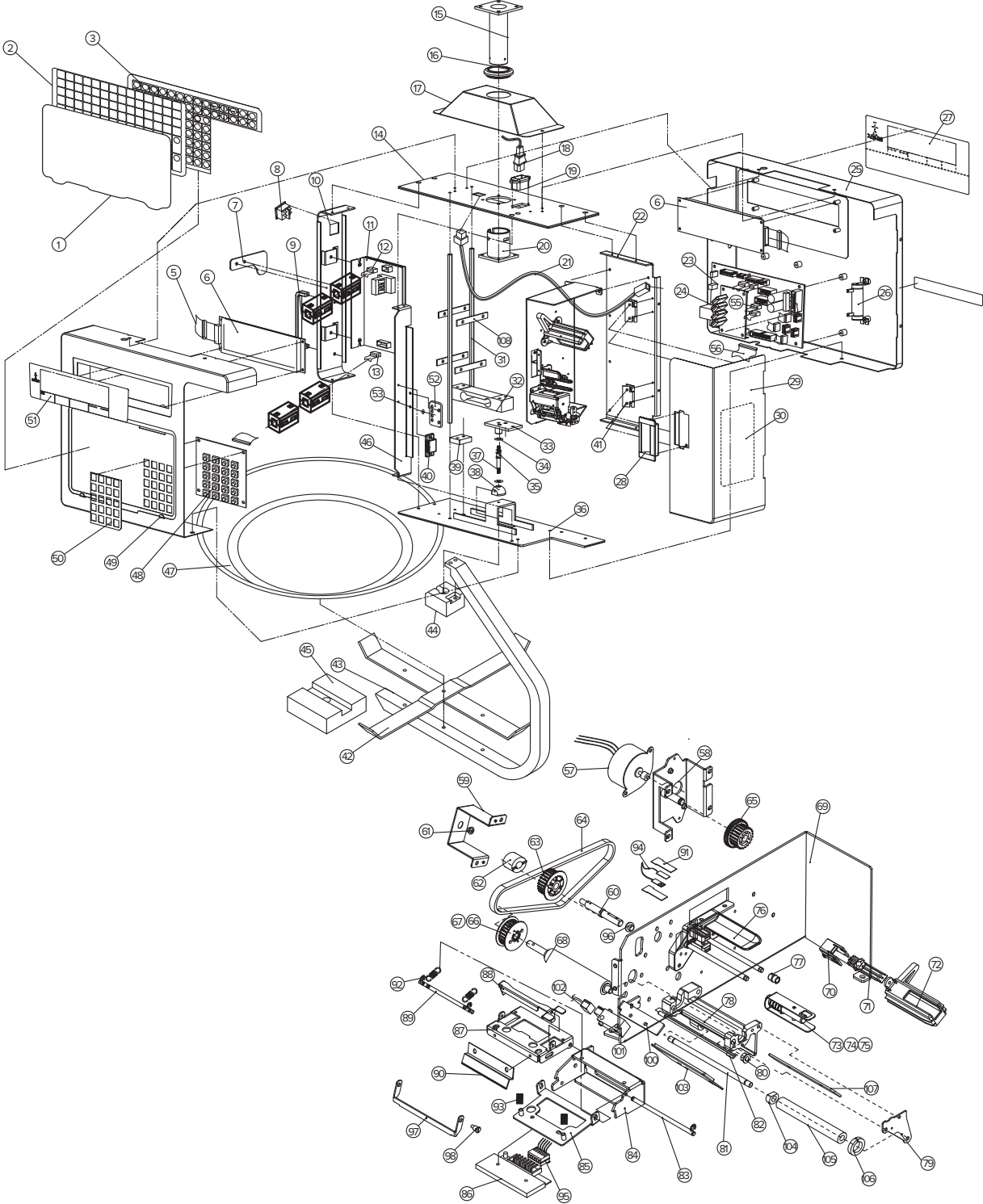
## Part Number/Price

Ref #	Part #	Description	Synonym	Price
56	Consult	Harness, S3, key	000-900-3687-02	\$6.00
57	179441	Motor, stepping, includes harness and small drive gear	000-901-3866-19	\$42.00
58	Consult	Bracket, motor	000-901-1295-24	\$5.00
59	Consult	Bracket, 01	000-901-1296-37	\$2.00
60	193844	Axis, Rewind	000-901-2397-33	\$8.00
61	Consult	Bush	000-901-4481-03	\$1.00
62	Consult	Bush, OLTC6-1500C	000-901-4494-01	\$16.00
63	179442	Gear, rewind	000-901-2360-36	\$2.00
64	179443	Timing belt, 3M-HTD-330	000-901-2435-04	\$6.00
65	179444	Gear, dual	000-901-2357-07	\$3.00
66	179445	Gear, drive	000-901-2358-01	\$3.00
—	66375	Set screw, 1.5 mm, M3-0.5 x 6 mm	000-002-1942-07	\$2.00
67	179446	Cover, gear, drive	000-901-2359-04	\$2.00
—		M3x7 self tapping button head screws (2)		Consult
68	169737	Roller, rubber, print roller	000-901-0040-00	\$27.00
69	Consult	Frame	000-901-3986-12	\$103.00
70	66378	Holder, guide, label	000-089-2830-01	\$4.00
71	66376	Lever, guide, label	000-089-2858-04	\$4.00
72	Consult	Holder, label	000-089-6667-04	\$5.00
73	185465	Bracket	000-901-4499-19	\$5.00
74	185467	Spring, bobbin	000-900-6740-08	\$2.00
75	185468	Shaft, bobbin	000-900-8333-20	\$8.00
76	198378	Support, NL	000-900-9359-11	\$6.00
77	191914	Axle bush	000-900-9361-10	\$2.00
78	192244	Support, roll, NL	000-900-9358-36	\$8.00
79	192245	Cover, NL	000-900-9360-25	\$3.00
80	66370	Bush, left	000-900-0894-06	\$2.00
81	193226	Axis	000-900-9363-17	\$3.00
82	193225	Axis, peel shaft	000-901-3774-01	\$12.00
82	170541	Linerless peel shaft kit	300-000-0319-00	\$51.00
83	45221	Shaft, 1	000-900-0844-19	\$5.00
—	46986	E-clip, stainless steel, M3 shaft, 5 mm ID, 9.5 mm OD	400-000-0969-00	\$2.00
84	192246	Frame, head	000-900-9205-39	\$10.00
85	191529	Bracket, head	000-900-9206-16	\$6.00
86	119169	Thermal head, CHX56-8359, 1100 ohm	000-901-5061-06	\$252.00
87	192247	Bracket, lock	000-900-9207-37	\$9.00
88	177790	Bracket, push	000-900-9208-03	\$5.00
89	188149	Axis, hold	000-900-9223-00	\$3.00
90	188153	Tear bar	000-900-6722-01	\$4.00
91	195440	Bracket, sensor	000-900-9364-01	\$2.00
92	45206	Tension spring	000-900-0849-08	\$3.00
93	45203	Spring coil, 1	000-900-0848-04	\$2.00
94	104832	Label gap sensor assembly	000-900-5225-02	\$34.00
95	104267	Harness, S2, thermal head	000-900-2840-21	\$19.00
96	193845	Bush, CSB-EPBF-0608-04	000-901-3953-01	\$2.00
97	199263	Bracket, cutter	000-901-3781-07	\$3.00
98	199264	Screw, cutter	000-901-3960-25	\$2.00
100	193312	Bracket, peel sensor	000-901-5065-01	\$11.00
101	179447	Peel sensor, reflective	000-078-0604-01	\$40.00
102	194186	Harness, peel sensor	000-901-5064-07	\$5.00
103	193224	Bracket, peel off	000-901-4484-13	\$11.00
104	205909	Bush	000-901-4488-09	\$6.00
105	Consult	Shaft, POM	000-901-4487-05	\$9.00
106	Consult	Label guide	000-901-4486-01	\$4.00
107	Consult	Bracket, fixed	000-901-4485-17	\$6.00
108	Consult	Bracket	000-901-3959-02	\$1.00
999	183911	Rubber	000-901-5114-00	\$3.00
999	183912	Nut	000-901-5115-03	\$2.00
999	Consult	USB outlet, U09-AF-AF-B	000-901-4455-06	\$16.00
999	Consult	Harness, S2, USB	000-901-4454-02	\$7.00

# Uni-3L2H

Hanging

Ref #	Part #	Description	Synonym	Price
<b>Wireless Options</b>				
999	<b>119159</b>	Antenna, black, for WiPort	000-089-5639-06	\$89.00
999	<b>223681</b>	Antenna, White, 2.4/5 GHz, no harness, SX-590 only	100-017-5711-00	\$77.00
999	<b>215289</b>	RF Wireless card kit, 5 GHZ & 2.4 GHZ, P-1169, SX-590	400-000-5827-00	\$643.00



Hanging Scales

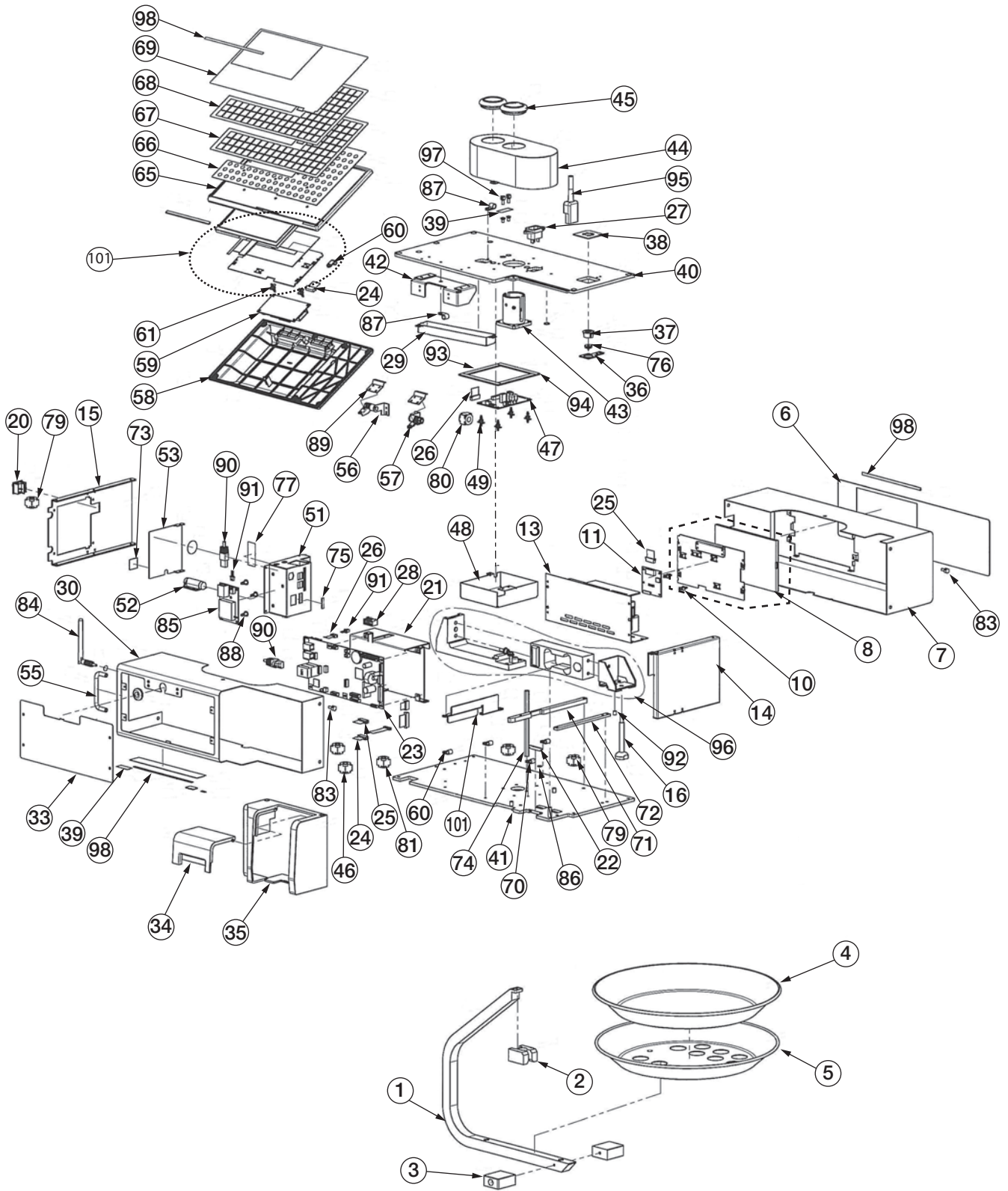
# Uni-7H

Scale



## Part Number/Price

Ref #	Part #	Description	Synonym	Price
1	84049	Platter support, mounting bar	089-2557-12	\$169.00
2	84050	Mounting block, bar connect	089-2259-01	\$74.00
3	186815	Block balance	089-6227-09	\$122.00
4	84047	Platter circle, upper	089-2493-09	\$74.00
5	84048	Platter circle, under, with drain holes	089-2558-07	\$128.00
6	186816	Panel window	089-6221-16	\$28.00
7	Consult	Case rear assembly	089-6230-01	\$250.00
8	119162	LCD, customer display	089-5623-16	\$212.00
10	132395	PWB accessory card spacer	116-6895-05	\$2.00
11	119161	PWB PK-263A customer display board	089-5615-07	\$78.00
13	119160	Power supply	089-6282-04	\$248.00
14	Consult	Frame side, right	089-6201-02	\$90.00
15	Consult	Frame side, left	089-6202-15	\$101.00
16	181190	Hanger, platter rod, load cell arm	089-6199-08	\$20.00
20	Consult	Harness C4 switch	089-5867-18	\$14.00
21	Consult	Bracket main board	089-6205-16	\$55.00
22	191492	Plate B magnetic	089-4982-01	\$3.00
23	174108	PK-260B main CPU, SD, 4M	400-000-1774-00	\$1,314.00
24	Consult	Harness S2 operator LCD display	089-6105-15	\$82.00
25	Consult	Harness S2 customer LCD display	089-6151-00	\$74.00
26	Consult	Harness C2 A/D board	089-5627-01	\$11.00
27	80969	Harness C2 power, includes receptacle	089-4014-14	\$10.00
28	190576	Harness S2 24V DC power	089-5634-08	\$12.00
29	Consult	Guide harness	089-6209-01	\$55.00
30	Consult	Case front	089-6216-17	\$214.00
31	Consult	Grommets	089-6229-06	\$3.00
33	Consult	Cover case front	089-6218-14	\$69.00
34	179705	Cover, printer, top, black	089-6223-04	\$10.00
35	179706	Cover, printer, main, black	089-6222-01	\$19.00
36	Consult	Bracket level	089-5030-09	\$12.00
37	44455	Sleeve, frame level	089-0930-02	\$2.00
38	183993	Cover level unit	089-6215-04	\$4.00
39	126461	Sticker void, sealing	089-4988-02	\$6.00
40	Consult	Plate top, frame	089-6212-03	\$273.00
41	Consult	Plate bottom, frame	089-6200-18	\$225.00
42	Consult	Bracket torque hinge	089-6213-16	\$41.00
43	84034	Hanging housing	089-2491-01	\$99.00
—	Consult	Mount bolts, socket cap M4 × 10 mm SST (qty 4)		Consult
44	181191	Cover inlet	089-6211-00	\$191.00
45	84029	Grommet with diaphragm	000-4001-09	\$14.00
46	132397	Ferrite core	089-5813-08	\$22.00
47	119145	PWB P-999B A/D board	089-5825-11	\$243.00
48	Consult	Bracket A/D board	089-6214-01	\$41.00
49	215525	Standoff, support, PWB, plastic, compression	089-6210-06	\$3.00
51	Consult	Bracket connector	089-6207-13	\$101.00
52	Consult	Magnetic catch	089-6228-02	\$19.00
53	Consult	Cover bracket connector	089-6208-08	\$72.00
55	Consult	Handle	089-6220-03	\$31.00
56	156446	Hinge, left	089-5505-01	\$29.00
57	156447	Hinge, right	089-5506-04	\$29.00
—	Consult	Screw, M3 × 8		Consult
—	178863	Keyboard support hinge kit (4 screws, 2 plates)		\$22.00
—	120646	Bolt, M3 × 6 mm phillips hex w/ zinc washer	078-0612-01	\$2.00
58	Consult	Case rear control	089-5752-04	\$48.00
59	119154	PWB PK-261A keyboard/display controller	089-5614-03	\$333.00
60	132394	Ground clamp	089-5810-07	\$3.00
61	Consult	Support	089-5729-08	\$1.00



Hanging Scales

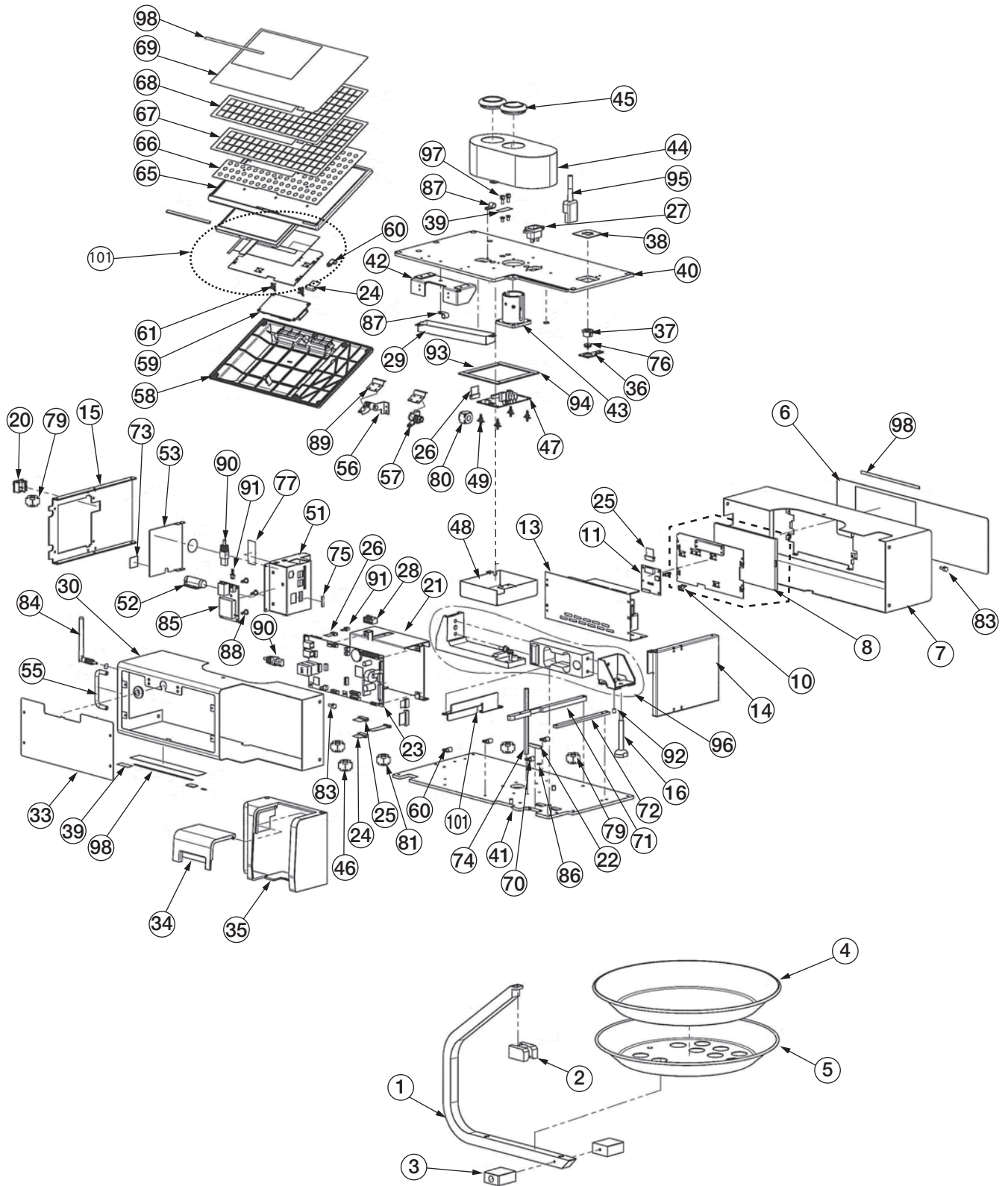
# Uni-7H

Scale



## Part Number/Price

Ref #	Part #	Description	Synonym	Price
65	Consult	Case front control	089-5751-29	\$45.00
66	119155	Keyboard membrane, contacts only	089-5682-16	\$65.00
67	119156	Sheet keyboard programing	089-4946-06	\$25.00
68	130815	Sheet keyboard-operation insert	089-5508-11	\$16.00
69	119157	Cover keyboard transparent overlay	089-4947-37	\$38.00
70	Consult	Clamp	089-6235-09	\$2.00
71	Consult	Guide cassette, right	089-6203-00	\$28.00
72	Consult	Guide cassette, left	089-6204-03	\$26.00
73	Consult	Sticker push	089-6234-05	\$1.00
74	Consult	Screw shaft hex FF	089-6327-08	\$22.00
75	Consult	Gasket 20 mm	089-5728-04	\$1.00
76	44425	Level unit	900-5727-05	\$50.00
77	Consult	Sticker location output	089-5740-19	\$1.00
79	Consult	Ferrite core	089-5811-01	\$8.00
80	Consult	Ferrite core	089-5812-04	\$14.00
81	186522	Ferrite core	096-9524-03	\$11.00
83	126464	Screw seal hex short	089-5835-00	\$6.00
84	119159	Antenna, black for WiPort	089-5639-06	\$89.00
	223681	Antenna, white 2.4/5 GHz no harness SX-590	100-017-5711-00	\$77.00
85	215289	RF Wireless card kit, 5 GHz & 2.4 GHz, P-1169, SX-590	400-000-5827-00	\$643.00
86	Consult	Lock washer	089-5086-07	\$1.00
87	Consult	Clamp	089-6331-03	\$2.00
88	Consult	Accessory PWB support	089-5029-04	\$1.00
89	Consult	Stopper torque hinge	089-6332-07	\$8.00
90	130816	Harness S2 LAN	089-5637-09	\$16.00
91	163384	Harness S2 5V power	089-5636-05	\$6.00
92	181195	Collar spacer	089-5028-01	\$2.00
93	Consult	Gasket 92 mm	089-6341-01	\$3.00
94	Consult	Gasket 105 mm	089-6342-04	\$4.00
95	80991	Power cord	089-2504-06	\$21.00
96	Consult	Load cell assembly	089-6411-08	\$239.00
97	126464	Screw seal hex short	089-5835-00	\$6.00
98	151522	Name plate spec	089-5064-05	\$6.00
101	119165	LCD display/touchscreen assembly, operator	089-6678-05	\$325.00
999	119158	RF Wireless card kit, 2.4/5 GHz, P-1169, SX-590	400-000-5827-00	\$643.00



# Uni-7H

Scale, Printer



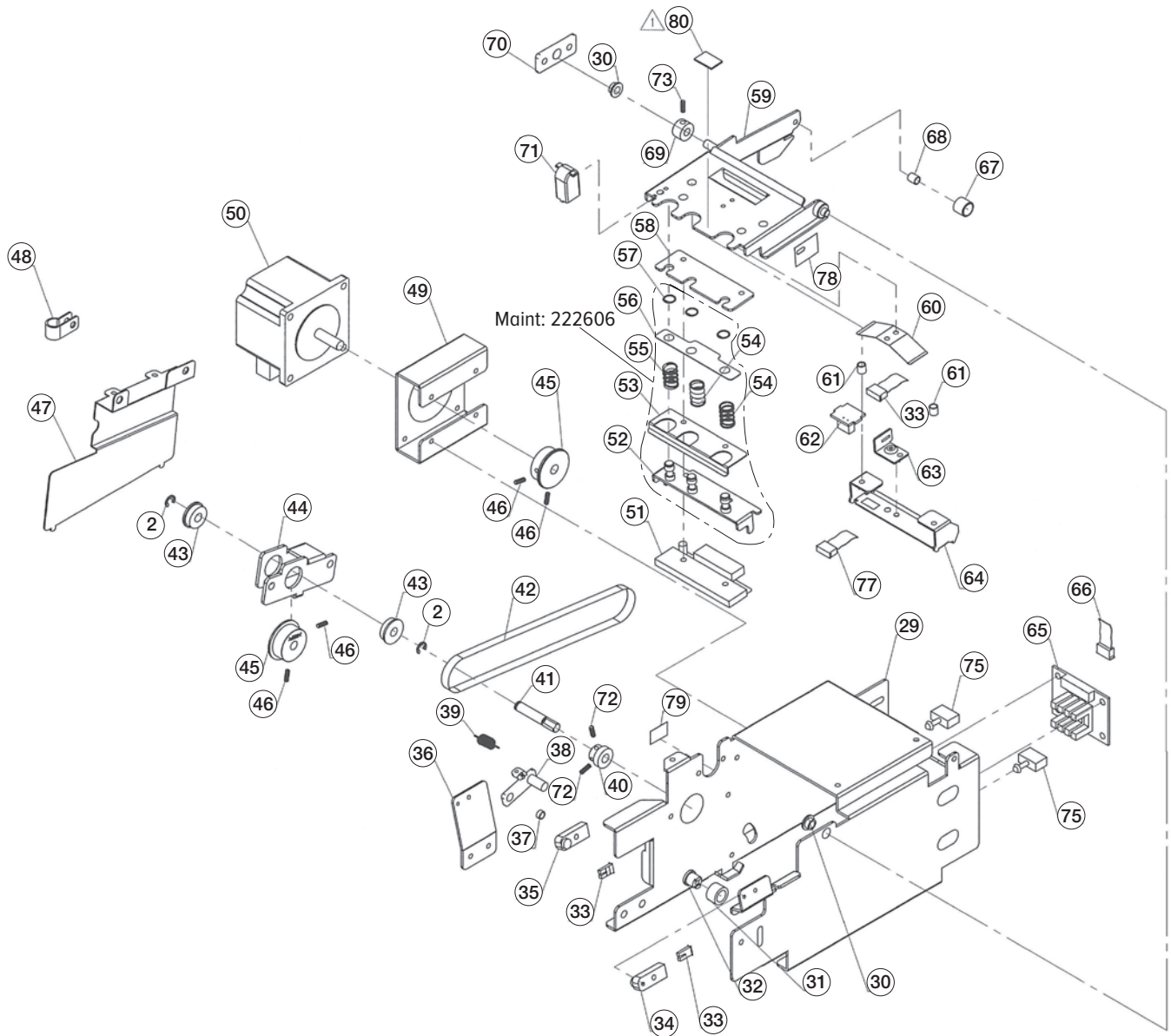
## Part Number/Price

Ref #	Part #	Description	Synonym	Price
2	46986	E-ring, stainless steel, M3 shaft, 5 mm ID, 9.5 mm OD	000-0287-02	\$2.00
29	210855	Frame printer	089-5517-14	\$84.00
30	180542	Bush	031-9081-00	\$3.00
31	181100	Roller support cassette	089-5537-00	\$2.00
32	158806	Pin support cassette	089-5536-06	\$9.00
33	193673	Harness C4 sensor, white conn, use with sensors p/n 193674, 193675	400-000-1803-00	\$15.00
34	87535	Peel sensor, receiver, black/orange, right	066-4500-09	\$12.00
	193674	Peel sensor, receiver, black, right, from s/n 100237828	400-000-1761-00	\$12.00
35	87534	Peel sensor, transmitter, grey/orange, left	064-5587-01	\$12.00
	193675	Peel sensor, transmitter, grey/white, left, from s/n 100237828	400-000-1762-00	\$15.00
36	Consult	Bracket sensor, left	089-5531-08	\$4.00
37	170498	Collar spacer	089-6840-02	\$2.00
38	180554	Lever lock head	089-5539-07	\$8.00
39	181102	Spring coil tension	089-5540-01	\$5.00
40	167388	Gear flat	089-5523-08	\$9.00
41	167389	Shaft pulley	089-5530-04	\$9.00
42	158518	Timing belt pulley S2M	118-7567-01	\$8.00
43	181103	Bearing large circle	089-5668-04	\$25.00
44	Consult	Holder pulley	089-5528-06	\$7.00
45	186908	Timing pulley S2M	089-5524-01	\$11.00
—	206368	Screw, set M3-0.5x3 mm, cup point, black oxide M303S5		\$2.00
47	Consult	Cover timing belt	089-5535-02	\$9.00
48	Consult	Cable clamp	089-5731-06	\$1.00
49	Consult	Bracket motor	089-5529-00	\$19.00
50	119168	Motor stepping	089-5513-01	\$169.00
51	119169	Printer thermal, CHX56-8359, 1100 ohm	089-5669-08	\$252.00
—	48784	Screw, M3x6 w/flange (mounting screw)	000-010-0725-06	\$2.00
52	161974	Bracket head	089-5520-25	\$30.00
53	163391	Cover head	089-5534-09	\$4.00
54	163392	Spring coil	089-5542-09	\$3.00
55	163393	Spring coil	089-5541-05	\$3.00
56	163394	Plate A spring support	089-5521-01	\$3.00
57	163396	Snap ring, 6 mm, black oxide	089-5836-03	\$2.00
58	163398	Stay head	089-5519-02	\$9.00
59	156853	Bracket printer	089-5518-09	\$66.00
—	42728	Screw, M4x6 w/flange (mounting screw)	000-000-0436-01	\$2.00
60	180543	Spring plate	089-5533-05	\$3.00
61	165618	Collar spacer	089-5036-01	\$2.00
62	87533	Label gap sensor	105-5249-09	\$43.00
63	168935	Holder label sensor	089-5532-01	\$12.00
—	108945	Screw, M3x8 mm, phillips counter sink stainless steel		\$0.50
64	168936	Bracket label sensor	089-5522-04	\$6.00
65	87532	Sensor, cassette number	064-5586-08	\$46.00
66	Consult	Harness C2 cassette	089-5628-05	\$10.00
67	195128	Stopper	000-9327-01	\$4.00
68	180544	Collar spacer	089-5037-04	\$2.00
69	180545	Collar	089-5527-02	\$8.00
70	Consult	Plate A	089-5526-09	\$2.00
71	159888	Block D support	089-5538-03	\$3.00
73	84066	Set screw, hex socket, w-point, M4-0.7x4 stainless steel	000-0469-03	\$2.00
75	Consult	Support	089-5729-08	\$1.00
77	167053	Harness C2 head	089-5632-10	\$37.00

# Uni-7H

Scale, Printer

Ref #	Part #	Description	Synonym	Price
78	187229	Plate A	089-5919-00	\$3.00
79	Consult	Base mount	089-5732-00	\$1.00
80	Consult	Sheet cushion	089-5057-09	\$5.00
MAINT	222606	Bracket head assembly (includes 52, 53, 54, 55, 56, 57)	400-000-4516-00	\$125.00



Hanging Scales

# Uni-7H

Scale, Label Cassette

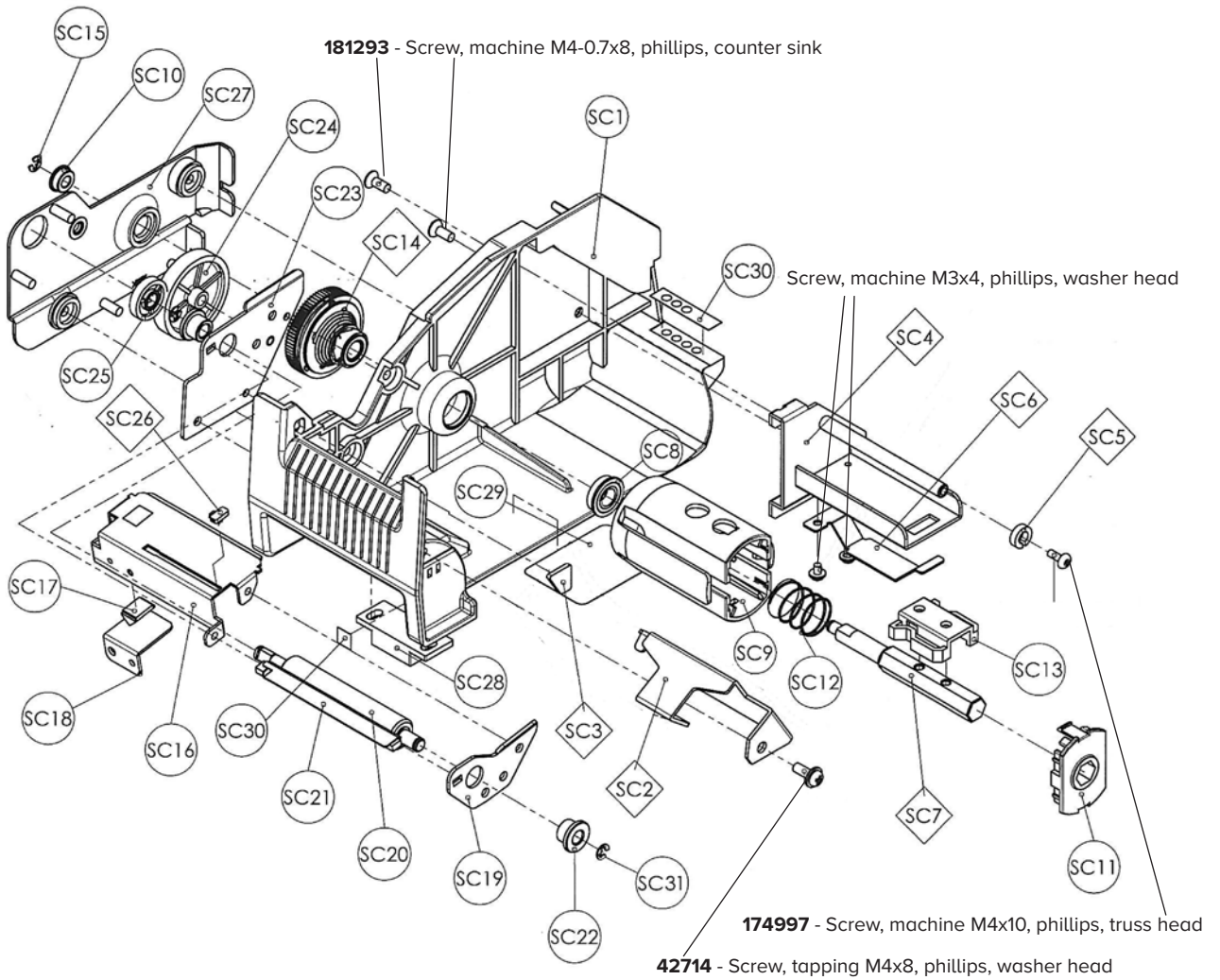


## Part Number/Price

Ref #	Part #	Description	Synonym	Price
ASSY	<b>190565</b>	Label cassette, complete assy, black	089-6793-01	\$242.00
SC1	<b>181196</b>	Frame cassette	089-5760-22	\$40.00
SC2	<b>131411</b>	Bracket label peel	089-6788-01	\$154.00
SC3	<b>131413</b>	Plate A	089-6790-00	\$10.00
SC4	<b>170795</b>	Holder assembly label roll	089-6783-03	\$87.00
SC5	<b>173893</b>	Guide label	089-5080-05	\$4.00
SC6	<b>180555</b>	Lever label guide	089-6782-00	\$51.00
SC7	<b>Consult</b>	Shaft step bobbin	089-6791-03	\$19.00
SC8	<b>Consult</b>	Bearing large circle	089-5666-07	\$21.00
SC9	<b>162104</b>	Bobbin roll	089-5550-09	\$4.00
SC10	<b>93342</b>	Bushing, torque limiter	064-0058-19	\$4.00
SC11	<b>167494</b>	Cover roll	089-5551-02	\$2.00
SC12	<b>162103</b>	Spring coil compression	089-5560-06	\$4.00
SC13	<b>162102</b>	Stopper holder label	089-5554-03	\$2.00
SC14	<b>165181</b>	Torque limiter assembly	089-6591-05	\$38.00
SC15	<b>46986</b>	Ring, E-clip, stainless steel, M3 shaft, 5 mm ID, 9.5 mm OD	000-0287-02	\$2.00
SC16	<b>Consult</b>	Guide table label	089-5557-04	\$17.00
SC17	<b>131415</b>	Block B prism	089-5556-01	\$2.00
SC18	<b>131416</b>	Bracket prism	089-5561-00	\$4.00
SC19	<b>180556</b>	Frame, right	089-5546-03	\$9.00
SC20	<b>119171</b>	Roller printer	089-5544-15	\$23.00
SC21	<b>172963</b>	Plate assembly peel shaft	089-5548-01	\$22.00
SC22	<b>131419</b>	Bushing, print roller	089-5597-12	\$3.00
SC23	<b>Consult</b>	Frame, left	089-5545-19	\$14.00
SC24	<b>119507</b>	Gear flat large	089-5547-07	\$2.00
SC25	<b>93341</b>	Gear flat small	063-8269-29	\$4.00
SC26	<b>119508</b>	Guide label	089-5558-26	\$2.00
SC27	<b>204560</b>	Cover gear	089-5552-06	\$4.00
SC28	<b>131421</b>	Catch magnetic	117-9647-06	\$6.00
SC29	<b>Consult</b>	Sticker label setting	089-5564-01	\$1.00
SC30	<b>126462</b>	Sticker cassette	089-5563-07	\$5.00
SC31	<b>46984</b>	E-ring, 4 mm shaft stainless steel M4	400-000-1050-00	\$2.00

# Uni-7H

Scale, Label Cassette



Hanging Scales

# Uni-8H

Hanging



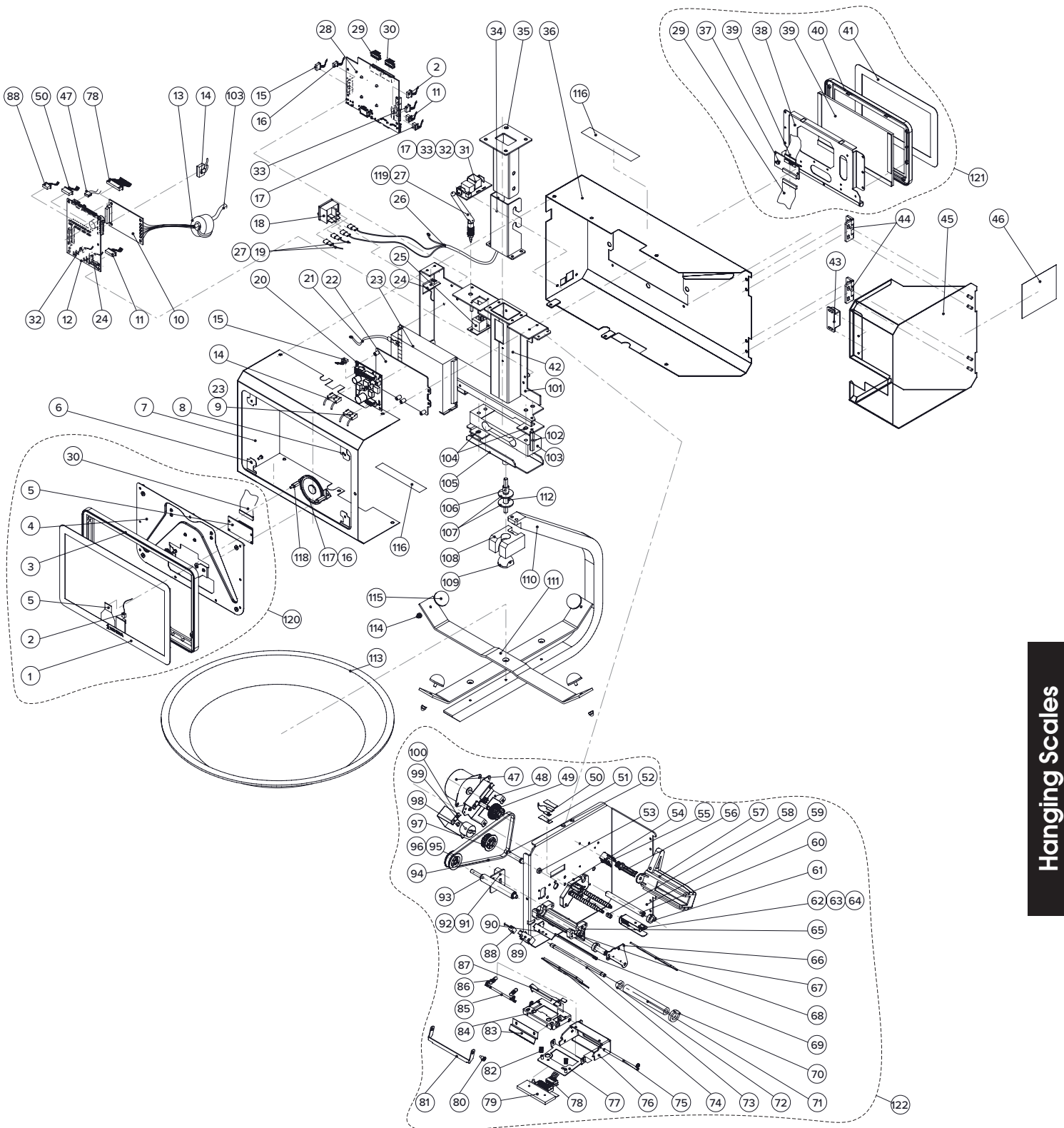
## Part Number/Price

Ref #	Part #	Description	Synonym	Qty	Price
1*	223513	TFT, screen, 10 inch, operator display	400-000-7008-00	1	\$540.00
2*	223518	Harness C2, operator display, 10 inch TFT to CPU USB3	400-000-7013-00	1	\$13.00
3*	223514	Case front, operator display	400-000-7009-00	2	\$27.00
4*	223515	Bracket, 10 inch TFT, operator display, zinc plated	400-000-7010-00	2	\$68.00
5*	223519	LVDS board, junction, operator display	400-000-7014-00	2	\$52.00
6	223606	Bracket, left	400-000-7135-00	4	\$13.00
7	223608	Case, front, main body	400-000-7136-00	1	\$382.00
8	223607	Bracket, right	400-000-7137-00	4	\$11.00
9	223546	Harness S3, PS-097 CN1 to power switching board -V +V	400-000-7053-00	1	\$15.00
10	223534	PWB PS-067, A/D board	400-000-7040-00	1	\$303.00
11	223535	Harness C2, PS-096C XJ2 to CPU USB4	400-000-7041-00	1	\$19.00
12	223536	PWB PS-096C, printer board	400-000-7042-00	1	\$363.00
13	223533	Ferrite core	400-000-7039-00	1	\$13.00
14	223537	Harness S2, PS-097 CN7 to PS-096C XJ3	400-000-7043-00	1	\$11.00
15	223526	Harness C2, P-097 CN3 to CPU 12V in	400-000-7027-00	1	\$11.00
16	Consult	Harness, audio out	400-000-7029-00	1	\$10.00
17	Consult	Harness, CPU USB4 to PS-105	400-000-7138-00	2	\$20.00
18	223521	Switch, rocker, power	400-000-7021-00	1	\$11.00
19	223520	Harness C4 (power switch to power switching board L N)	400-000-7020-00	1	\$13.00
20	223545	PWB PS-097, power board	400-000-7052-00	1	\$87.00
21	Consult	Harness S2, ground	400-000-7067-00	1	\$6.00
22	Consult	Bracket HDMI	400-000-7139-00	1	\$54.00
23	223555	Power switching board	400-000-7066-00	1	\$159.00
24	223611	PWB PS-055, span switch board	400-000-7140-00	1	\$11.00
25	223610	TCP/IP, Ethernet port	400-000-7141-00	1	\$25.00
26	223525	Power cord, hard-wired, three prong	400-000-7026-00	1	\$44.00
27	223613	Antenna, external, rubber, Wi-Fi	400-000-7142-00	1	\$9.00
28	223528	PWB PS-100, CPU board	400-000-7030-00	1	\$927.00
29#	223529	Harness, customer display, PS-098-CN3 to CPU-LVDS2	400-000-7031-00	1	\$54.00
30*	223612	Harness, operator display, LVDS board CN1 to CPU LVDS2	400-000-7031-00	1	\$54.00
31	223615	PWB PS-105, dual USB, register	400-000-7143-00	1	\$23.00
32	223616	Harness C2, RJ11 and USB	400-000-7144-00	1	\$13.00
33	223617	Harness	400-000-7138-00	2	\$21.00
34	223618	Bracket top	400-000-7145-00	1	\$85.00
35	223619	Hanging housing	400-000-7146-00	1	\$85.00
—	200513	Bolt, hex, zing, M6-1.0x55 mm	—	2	\$2.00
—	200522	Nut, wing, M6-1.0	—	2	\$3.00
36	223609	Case, rear, main body	400-000-7147-00	1	\$441.00
37#	223550	LVDS board, junction, customer display	400-000-7061-00	1	\$48.00
38#	223551	Bracket, 7-inch TFT, customer display, zinc plated	400-000-7062-00	1	\$44.00
39#	223552	TFT, screen, 7-inch, customer display	400-000-7063-00	1	\$244.00
40#	223553	Case, front, customer display	400-000-7064-00	1	\$86.00
41#	223554	Sheet, customer display	400-000-7065-00	1	\$19.00
42	Consult	Weld assy main	400-000-7148-00	1	\$352.00
43	223604	Magnet, catch, printer door	400-000-7072-00	1	\$7.00
44	223541	Hinge, plastic	400-000-7048-00	2	\$9.00
45	223620	Case, printer, main body	400-000-7149-00	1	\$394.00
46	223539	Sticker, label loading instruction	400-000-7045-00	1	\$7.00
47 †	223578	Motor, stepping	400-000-7108-00	1	\$120.00
48 †	Consult	Bracket motor	400-000-7107-00	1	\$14.00
49 †	223576	Gear, stepped, dual teeth	400-000-7103-00	1	\$5.00
50 †	223577	Sensor, label gap, assy, transmitter and receiver	400-000-7336-00	1	\$13.00
51 †	223605	Bracket, cover, label gap sensor	400-000-7104-00	2	\$3.00
52 †	223580	Axis rewind	400-000-7109-00	1	\$19.00
53 †	Consult	Bushing	400-000-7105-00	1	\$4.00
54 †	223621	Support, housing, gap sensor	400-000-7150-00	1	\$56.00
55 †	66378	Holder, guide, label supply reel	000-089-2830-01	1	\$4.00
56 †	66376	Lever guide, lock, label supply reel	000-089-2858-04	1	\$4.00
57 †	223574	Holder, label supply reel, mount	000-089-6667-04	1	\$13.00
58 †	223570	Axle bushings, textured roller	400-000-7099-00	16	\$3.00
59 †	Consult	Frame	400-000-7151-00	1	\$212.00
60 †	Consult	Shaft 06	400-000-7152-00	1	\$12.00

Hanging Scales

# Uni-8H

Hanging



Hanging Scales

# Uni-8H

Hanging

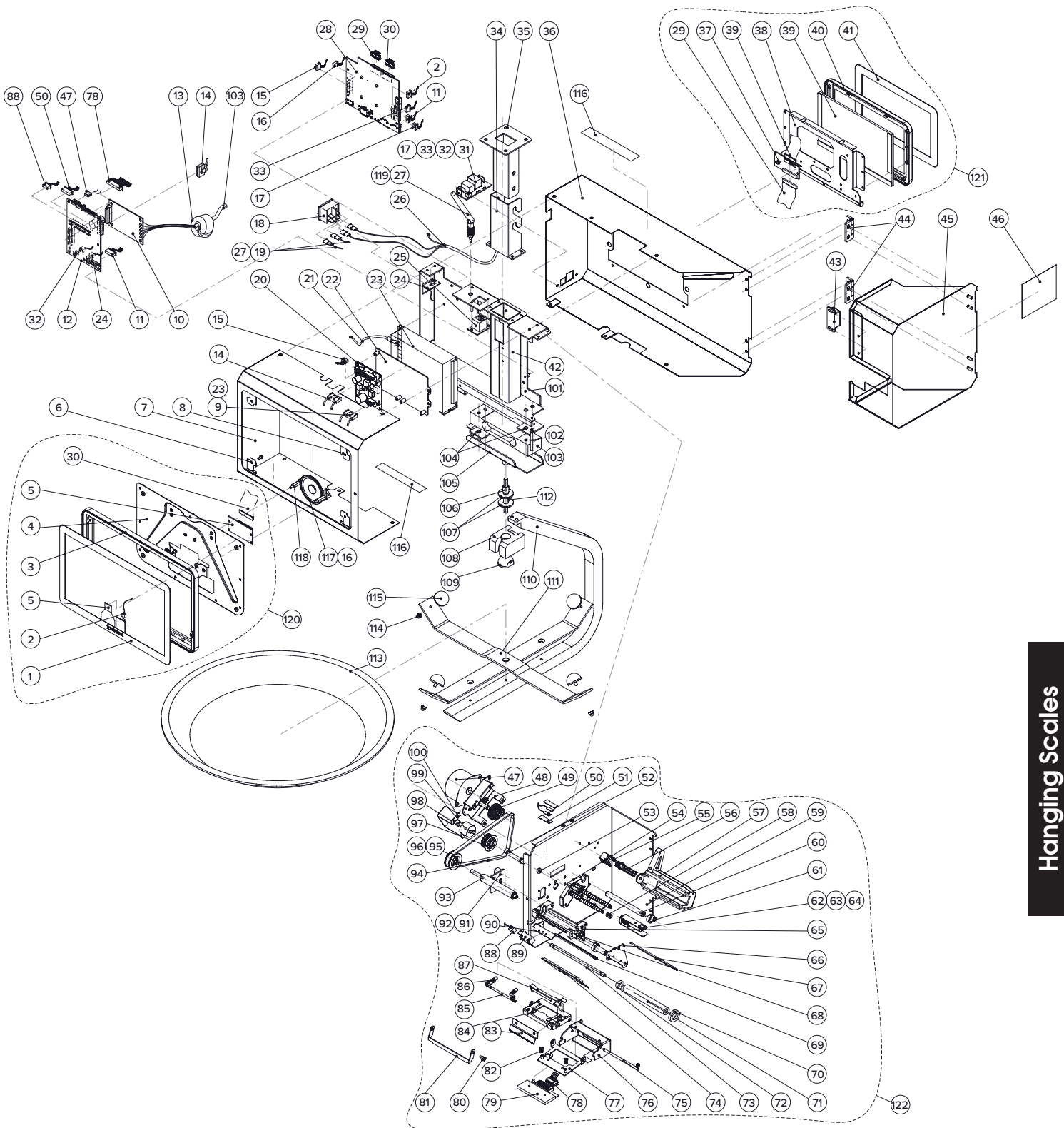


Ref #	Part #	Description	Synonym	Qty	Price
61†	Consult	Guide label	400-000-7153-00	1	\$2.00
62†	223567	Bracket, take spool	400-000-7096-00	1	\$15.00
63†	223568	Spring	400-000-7097-00	1	\$3.00
64†	223569	Shaft	400-000-7098-00	1	\$21.00
65†	Consult	Support-NL	400-000-7089-00	1	\$12.00
66†	Consult	Cover-NL	400-000-7094-00	1	\$6.00
67†	Consult	Bracket of fixed	400-000-7095-00	1	\$18.00
68†	Consult	Bushing, left pom	400-000-7090-00	2	\$2.00
69†	Consult	Axis 002	400-000-7088-00	1	\$32.00
70†	Consult	Label guide	400-000-7093-00	1	\$12.00
71†	223566	Shaft, roller, plastic	400-000-7092-00	1	\$27.00
72†	Consult	Bushing	400-000-7091-00	1	\$14.00
73†	Consult	Axis 01	400-000-7087-00	1	\$6.00
74†	Consult	Bracket	400-000-7086-00	1	\$28.00
75†	Consult	Shaft 1	400-000-7085-00	1	\$4.00
76†	Consult	Frame head	400-000-7084-00	1	\$26.00
77†	Consult	Bracket head	400-000-7083-00	1	\$16.00
78†	223564	Harness S2, printhead, thermal to PS-096C XJ9	400-000-7081-00	1	\$33.00
79†	223563	Printhead, thermal	400-000-7080-00	1	\$225.00
80†	Consult	Screw	400-000-7078-00	1	\$2.00
81†	Consult	Bracket	400-000-7077-00	1	\$8.00
82†	223565	Spring coil 2	400-000-7082-00	2	\$3.00
83†	223562	Tear plate	400-000-7079-00	1	\$11.00
84†	Consult	Bracket lock	400-000-7057-00	1	\$22.00
85†	Consult	Axis hold	400-000-7123-00	1	\$6.00
86†	223592	Spring coil 1	400-000-7122-00	2	\$3.00
87†	223591	Bracket, printhead, open close	400-000-7121-00	1	\$13.00
88†	223623	Harness, peel sensor	400-000-7154-00	1	\$11.00
89†	223589	Peel sensor	400-000-7119-00	1	\$43.00
90†	223590	Bracket, peel sensor	400-000-7120-00	1	\$13.00
91†	Consult	Bracket tension wheel	400-000-7155-00	1	\$50.00
92†	Consult	Collar	400-000-7156-00	1	\$2.00
93†	223587	Platen roller, rubber, printhead	400-000-7117-00	1	\$52.00
94†	223624	Timing belt	400-000-7157-00	1	\$15.00
95†	223585	Gear, driver	400-000-7115-00	1	\$9.00
96†	223586	Cover, gear, driver	400-000-7116-00	1	\$3.00
97†	223583	Gear rewind	400-000-7111-00	1	\$5.00
98†	Consult	Bushing	400-000-7114-00	1	\$4.00
99†	223584	Torque limit	400-000-7112-00	1	\$44.00
100†	Consult	Bracket 01	400-000-7113-00	1	\$6.00
101	Consult	Bracket main	400-000-7158-00	1	\$194.00
102	Consult	Hex spacer-male/female	400-000-7159-00	1	\$6.00
103	223557	Load cell, 30 lb/15 kg	400-000-7069-00	1	\$225.00
104	Consult	Screw washer	400-000-7160-00	2	\$4.00
105	223634	Base, mount, pivot arm	400-000-7161-00	1	\$85.00
106	223637	Shaft, thread, pivot arm	400-000-7162-00	1	\$54.00
107	223638	Washer, pivot arm	400-000-7163-00	2	\$3.00
108	223639	Block, nylon, arm connection	400-000-7164-00	1	\$122.00
109	223640	Ball, pivot, arm	400-000-7165-00	1	\$85.00
110	223641	Arm, platter	400-000-7166-00	1	\$291.00
111	223644	Plate, cross bar, platter	400-000-7167-00	1	\$153.00
112	223645	Spring, pivot arm	400-000-7168-00	1	\$9.00
113	223647	Weigh platter	400-000-7169-00	1	\$153.00
114	223649	Nut, acorn, M4-0.7	400-000-7170-00	4	\$3.00
115	223650	Rubber support, platter	400-000-7171-00	4	\$5.00
116	Consult	Name plate, multi range	400-000-7172-00	1	\$4.00
116	Consult	Name plate, single range	400-000-7173-00	1	\$4.00
117	Consult	Loud speaker	400-000-7174-00	1	\$26.00
118	Consult	Hex spacer male / female	400-000-7175-00	2	\$2.00
119	223614	Harness, antenna	400-000-7176-00	1	\$9.00
120*	226040	Operator display, complete	400-000-7757-00	1	\$1,195.00
121#	Consult	Customer display, complete			Consult
122†	226038	Printer unit, complete	400-000-7755-00	1	\$1,117.00

Hanging Scales

# Uni-8H

Hanging



Hanging Scales

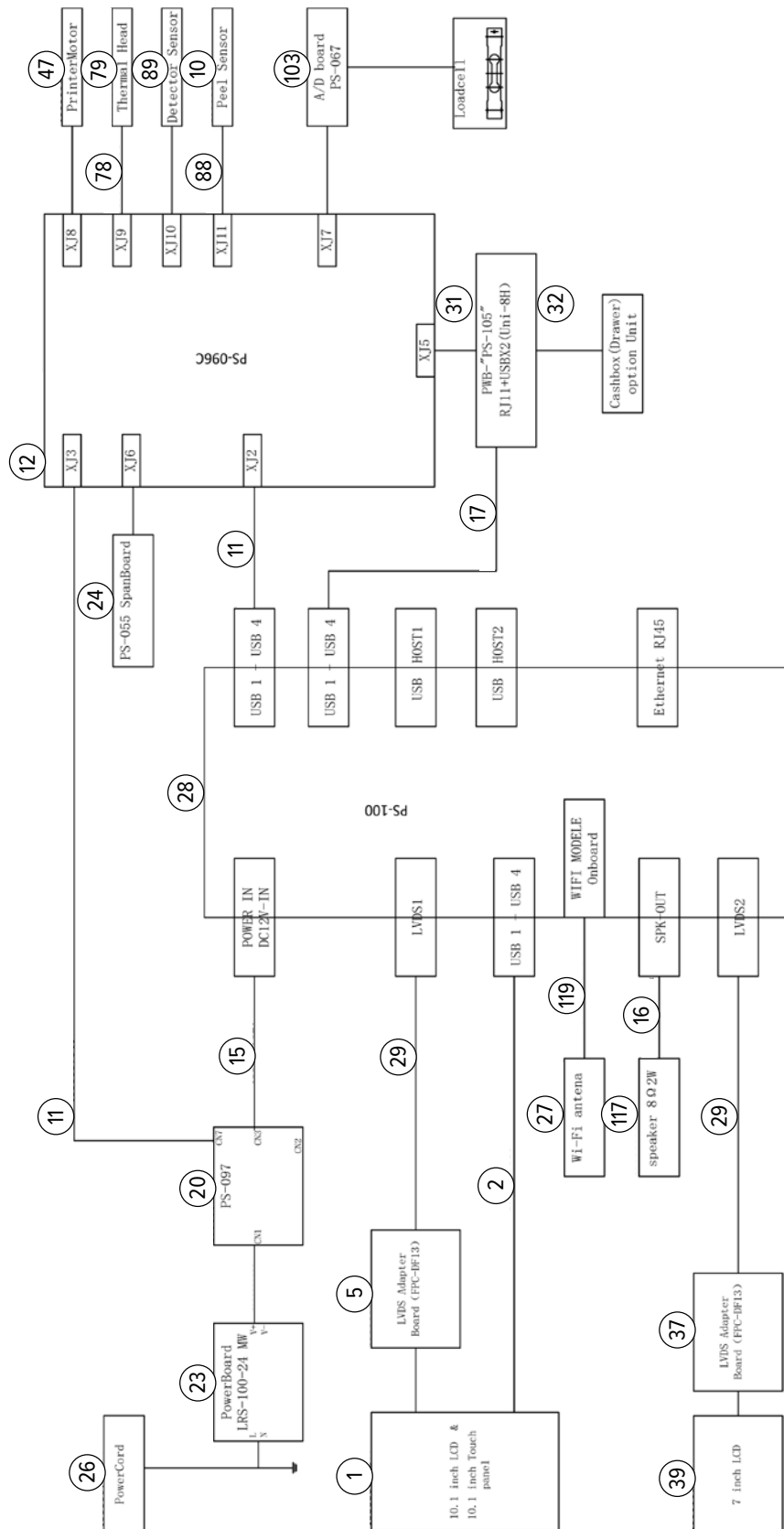
# Uni-8H

Wiring Diagram



## Part Number/Price

Ref #	Part #	Description	Synonym	Qty	Price
2	223518	Harness C2, operator display, 10 inch TFT to CPU USB3	400-000-7013-00	1	\$13.00
9	223546	Harness S3, PS-097 CN1 to power switching board -V +V	400-000-7053-00	1	\$15.00
11	223535	Harness C2, PS-096C XJ2 to CPU USB4	400-000-7041-00	1	\$19.00
12	223536	PWB PS-096C, printer board	400-000-7042-00	1	\$363.00
14	223537	Harness S2, PS-097 CN7 to PS-096C XJ3	400-000-7043-00	1	\$11.00
15	223526	Harness C2, P-097 CN3 to CPU 12V in	400-000-7027-00	1	\$11.00
16	Consult	Harness, audio out	400-000-7029-00	1	\$10.00
17	Consult	Harness, CPU USB4 to PS-105	400-000-7138-00	2	\$20.00
19	223520	Harness C4 (power switch to power switching board L N)	400-000-7020-00	1	\$13.00
20	223545	PWB PS-097, power board	400-000-7052-00	1	\$87.00
23	223555	Power switching board	400-000-7066-00	1	\$159.00
24	223611	PWB PS-055, span switch board	400-000-7140-00	1	\$11.00
26	223525	Power cord, hard-wired, three prong	400-000-7026-00	1	\$44.00
27	223613	Antenna, external, rubber, Wi-Fi	400-000-7142-00	1	\$9.00
28	223528	PWB PS-100, CPU board	400-000-7030-00	1	\$927.00
29	223529	Harness, customer display, PS-098-CN3 to CPU-LVDS2	400-000-7031-00	1	\$54.00
30	223612	Harness, operator display, LVDS board CN1 to CPU LVDS2	400-000-7031-00	1	\$54.00
31	223615	PWB PS-105, dual USB, register	400-000-7143-00	1	\$23.00
32	223616	Harness C2, RJ11 and USB	400-000-7144-00	1	\$13.00
33	223617	Harness	400-000-7138-00	2	\$21.00
37	223550	LVDS board, junction, customer display	400-000-7061-00	1	\$48.00
39	223552	TFT, screen, 7-inch, customer display	400-000-7063-00	1	\$244.00
47	223578	Motor, stepping	400-000-7108-00	1	\$120.00
78	223564	Harness S2, print head, thermal to PS-096C XJ9	400-000-7081-00	1	\$33.00
79	223563	Printhead, thermal	400-000-7080-00	1	\$225.00
88	223623	Harness, peel sensor	400-000-7154-00	1	\$11.00
89	223589	Peel sensor	400-000-7119-00	1	\$43.00
103	223557	Load cell, 30 lb / 15 kg	400-000-7069-00	1	\$225.00
117	Consult	Speaker	400-000-7174-00	1	\$26.00
119	223614	Harness, antenna	400-000-7176-00	1	\$9.00



Hanging Scales

# Uni-9H

Scale

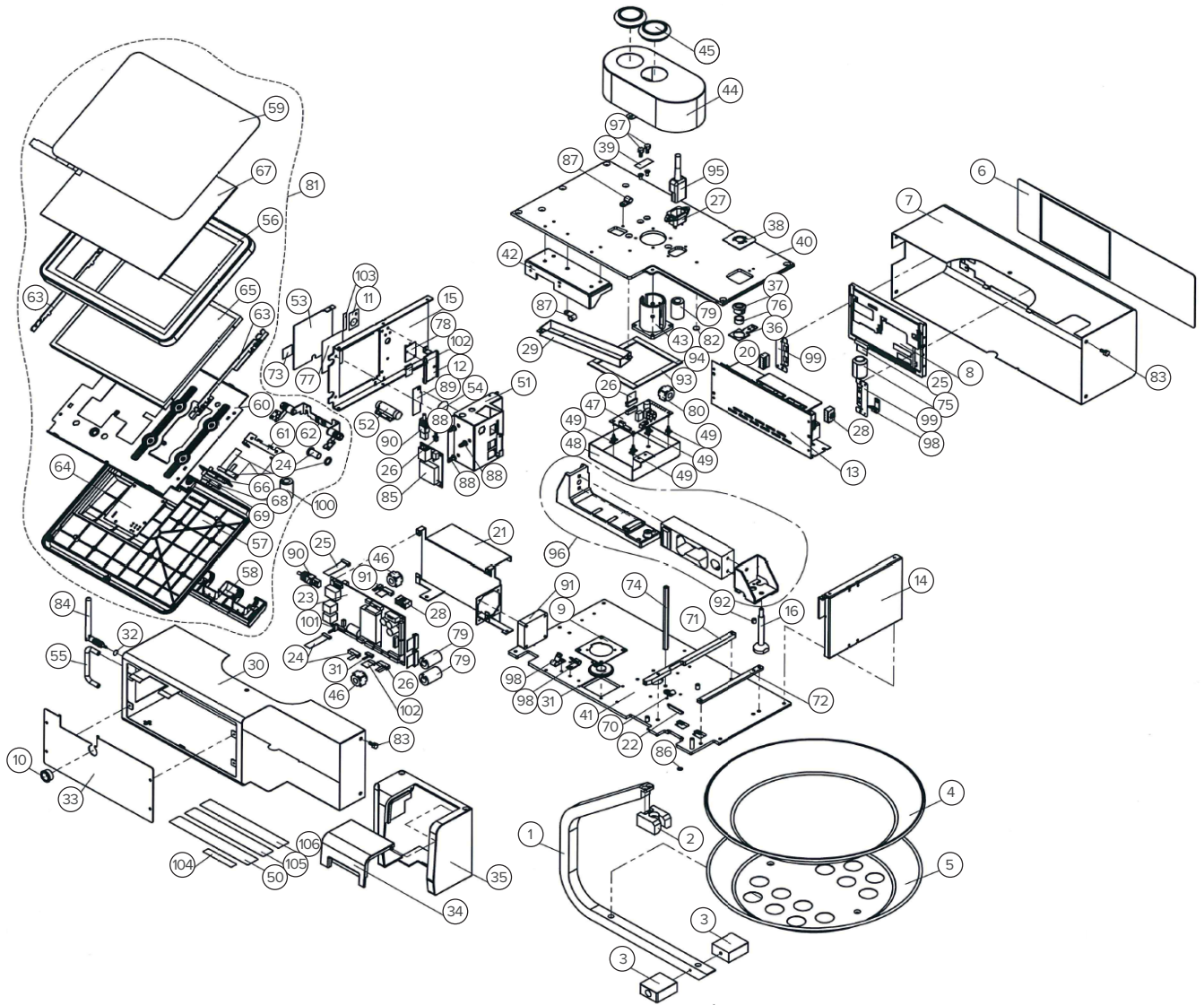


## Part Number/Price

Ref #	Part #	Description	Synonym	Price
1	84049	Platter support, mounting bar	089-2557-12	\$169.00
2	84050	Mounting block, bar connect	089-2559-01	\$74.00
3	186815	Block balance	089-6227-18	\$122.00
4	84047	Platter circle, upper	089-2493-09	\$74.00
5	84048	Platter circle, under, with drain holes	089-2558-07	\$128.00
6	181095	Sheet display	149-6872-09	\$413.00
7	Consult	Case rear assy	089-7911-07	\$399.00
8	158283	Display LCD TFT, customer display	138-5873-02	\$368.00
9	Consult	Plate B speaker	089-7919-06	\$11.00
10	47015	Bush openlock	013-8916-01	\$3.00
11	158260	Sheet switch	138-1660-01	\$8.00
12	Consult	Bracket PWB P-984	089-7920-02	\$22.00
13	119160	Power supply	089-6282-04	\$248.00
14	Consult	Frame side, right	089-6201-02	\$74.00
15	Consult	Frame side, left	089-7912-01	\$63.00
16	181190	Hanger, platter rod, load cell arm	089-6199-08	\$20.00
20	Consult	Harness C3 power AC	089-7968-09	\$11.00
21	Consult	Bracket PWB P-1100	089-7913-04	Consult
22	191492	Plate B magnetic	089-4982-01	\$3.00
23	158280	PWB P-1100A, CPU	141-6086-20	\$1,744.00
—	200243	CF card, SSD with OS, Uni-9/Uni-9H		\$379.00
24	198600	Harness C6 LCDH, operator display	100-051-1406-00	\$500.00
25	Consult	Harness C5 LCDH, customer display	100-051-0811-00	\$170.00
26	Consult	Harness C3 A/D wireless	140-7045-21	Consult
27	80969	Harness C2 power, includes receptacle	089-4014-14	\$10.00
28	Consult	Harness S2 24VDC power	089-7969-02	\$9.00
29	Consult	Guide harness	089-6209-01	\$48.00
30	Consult	Case front	089-7914-08	\$367.00
31	181153	Speaker assy	140-7073-26	\$28.00
32	Consult	Plate A cover	089-4042-01	\$1.00
33	Consult	Cover case front	089-7915-01	\$37.00
34	179705	Cover printer, top hinged, black	089-6223-04	\$10.00
35	179706	Case, printer cover, black	089-6222-01	\$19.00
36	Consult	Bracket level	089-5030-09	\$13.00
37	44455	Sleeve, frame level	089-0930-02	\$2.00
38	183993	Cover level unit	089-6215-04	\$4.00
39	126461	Sticker, void	089-4988-11	\$6.00
40	Consult	Plate top, frame	089-6212-12	\$281.00
41	Consult	Plate bottom, frame	089-7916-06	\$48.00
42	194482	Bracket torque hinge	089-7917-09	\$72.00
43	84034	Hanging housing	089-2491-01	\$99.00
—	Consult	Bolt, socket head, stainless steel, M4 x 10 mm		Consult
44	181191	Cover inlet	089-6211-00	\$191.00
45	84029	Grommet w/diaphragm	000-4001-09	\$14.00
46	186522	Filter ferrite core	096-9524-03	\$11.00
47	119145	PWB P-999 B, A/D board	089-5825-11	\$243.00
48	Consult	Bracket AD board	089-6214-01	\$37.00
49	215525	Standoff, support, PWB, plastic, compression	089-6210-06	\$3.00
51	Consult	Bracket connector	089-7918-02	\$74.00
52	Consult	Magnetic catch	089-6228-02	\$16.00
53	Consult	Cover bracket connector	089-6208-08	\$59.00
54	Consult	Seal round	075-1264-01	\$4.00
55	Consult	Handle	089-6220-03	\$26.00
56	158284	Case controller front	138-1651-08	\$42.00
57	179707	Case controller rear	138-2461-10	\$34.00

# Uni-9H

Scale



Hanging Scales

# Uni-9H

Scale

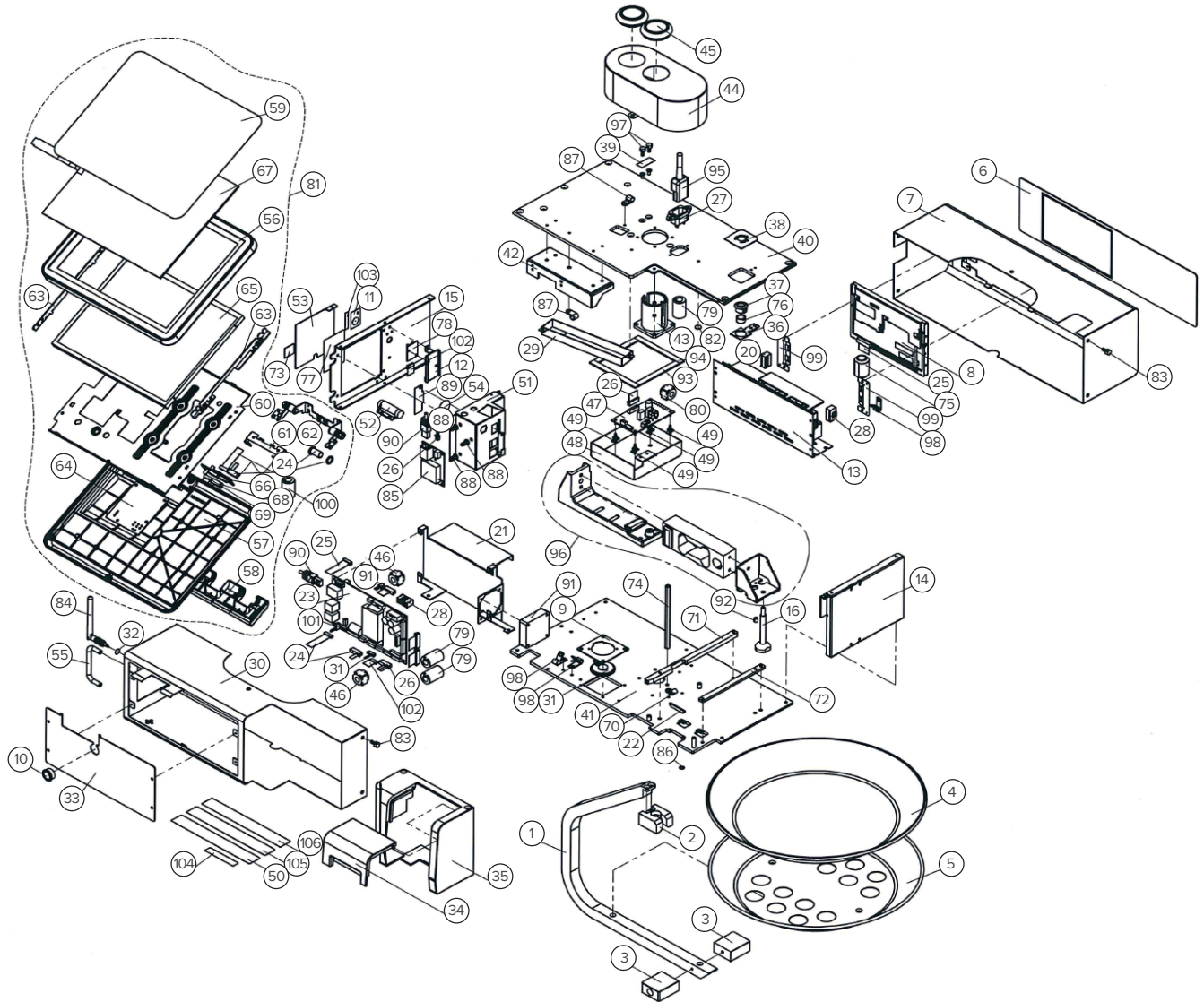


## Part Number/Price

Ref #	Part #	Description	Synonym	Price
58	181192	Cover display connector	138-2462-13	\$6.00
59	158275	Sheet display, white	138-1658-12	\$47.00
60	195422	Frame controller	138-2464-20	\$28.00
61	185541	Bracket board junction	138-2444-16	\$5.00
62	181193	Hinge assembly torque, operator display	138-1528-21	\$37.00
63	187271	L plate B, operator display	138-2463-17	\$8.00
64	158279	PWB P-1118, display board, operator	138-5945-07	\$42.00
65	206535	Display LCD TFT, operator display	135-4850-11	\$557.00
66	87519	PWB P-985, operator display harness junction board	102-3034-15	\$50.00
67	171883	Touch panel analog	135-4851-14	\$229.00
68	187274	Harness C2 touch panel	139-2707-12	\$11.00
69	187275	Harness C5 LCD*	100-050-7520-00	\$87.00
70	Consult	Clamp	089-6235-09	\$2.00
71	Consult	Guide cassette, right	089-6203-00	\$23.00
72	Consult	Guide cassette, left	089-6204-03	\$22.00
73	Consult	Sticker push	089-6234-05	\$1.00
74	Consult	Screw shaft Hexa FF	089-6327-08	\$19.00
75	186530	Filter ferrite core	102-3466-01	\$9.00
76	44425	Level unit	900-5727-05	\$50.00
77	Consult	Sticker location output	089-7942-02	\$5.00
78	158263	PWB P-984-1, power switch	106-1319-18	\$50.00
79	Consult	Ferrite Core	089-5811-01	\$5.00
80	Consult	Ferrite Core	089-5812-04	\$8.00
81	181194	Operation unit Uni-9 (Does not include #65 display LCD or #67 touch panel)	138-1680-06	\$1,620.00
82	Consult	Sticker ground	043-1783-05	Consult
83	126464	Screw seal Hexa	089-5835-00	\$6.00
84	119159	Antenna, black, for WiPort	089-5639-15	\$89.00
	223681	Antenna, white, 2.4/5 GHz, no harness, SX-590 only	100-017-5711-00	\$77.00
86	Consult	Lock washer	089-5086-07	\$1.00
87	Consult	Clamp	089-6331-03	\$2.00
88	Consult	Button support	089-5029-04	Consult
89	Consult	Plate B CF	089-7921-04	\$8.00
90	130816	Harness S2 lan	089-5637-09	\$16.00
91	181152	Fan assy	141-6085-15	\$74.00
92	181195	Collar spacer	089-5028-01	\$2.00
93	Consult	Gasket 92 mm	089-6341-01	\$3.00
94	Consult	Gasket 105 mm	089-6342-04	\$3.00
95	80991	Power cord	089-2504-06	\$21.00
96	181098	Load cell assembly	000-2358-00	\$316.00
97	126464	Screw seal Hexa	089-5835-00	\$6.00
98	132394	Clamp, ground	089-5810-07	\$3.00
99	Consult	Bracket LCD	138-1594-27	\$4.00
100	186416	Filter ferrite core	074-0771-01	\$11.00
101	186520	Harness S1 jumper	133-8499-16	\$8.00
102	186518	Harness S2 power switch	137-0798-38	\$9.00
103	Consult	Sticker seal	089-7953-03	\$2.00
104	Consult	Maker No. sticker	000-0097-00	\$9.00
105	Consult	Sticker wireless	000-0123-00	\$2.00
106	Consult	Sticker wireless	000-0124-00	\$2.00
999	213640	RF Wireless card kit, 5 GHz & 2.4 GHz, P-1169, SX-590	400-000-5839-00	\$643.00

\* Updated harness 69 requires new clamp p/n 000-144-5937-07

# Uni-9H Scale



Hanging Scales

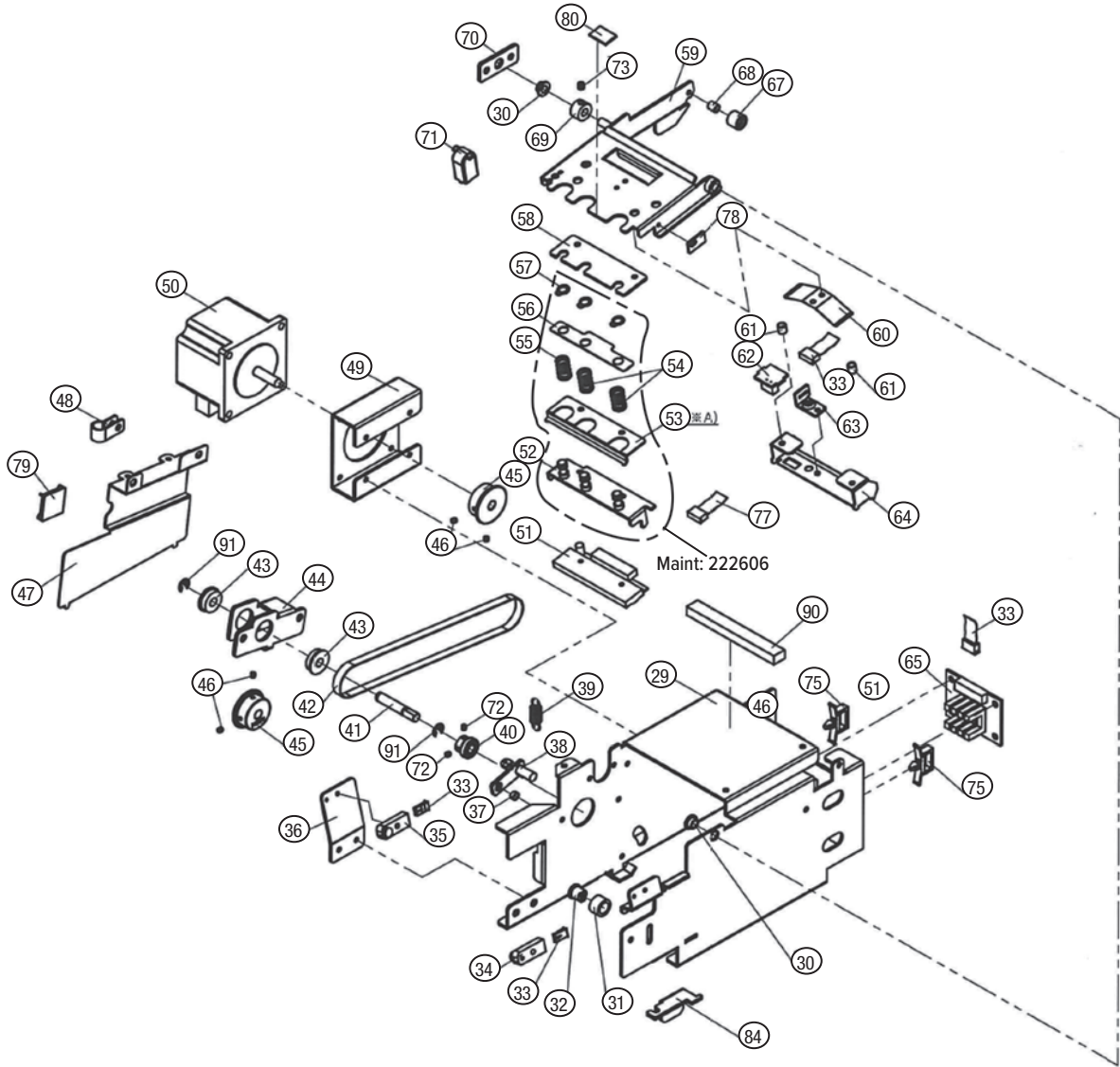
# Uni-9H Printer



## Part Number/Price

Ref #	Part #	Description	Synonym	Price
29	210855	Frame printer	089-5517-14	\$84.00
30	180542	Bush	031-9081-00	\$3.00
31	181100	Roller support cassette	089-5537-00	\$2.00
32	158806	Pin support cassette	089-5536-06	\$9.00
33	194852	Harness C5 printer sensors, compatible with old and new sensors	140-7041-27	\$93.00
34	87535	Peel sensor, receiver, black/orange, right	066-4500-09	\$12.00
	193674	Peel sensor, receiver, black, right, from s/n 100237828	400-000-1761-00	\$12.00
35	87534	Peel sensor, transmitter, grey/orange, left	064-5587-01	\$12.00
	193675	Peel sensor, transmitter, grey/white, left, from s/n 100237828	400-000-1762-00	\$15.00
36	Consult	Bracket sensor left	089-5531-08	\$4.00
37	181101	Collar spacer	089-5038-08	\$2.00
38	180554	Lever lock head	089-5539-07	\$8.00
39	181102	Spring coil tension	089-5540-01	\$5.00
40	167388	Gear flat	089-5523-08	\$9.00
41	167389	Shaft pulley	089-5530-04	\$9.00
42	158518	Timing belt S2M	118-7567-01	\$8.00
43	181103	Bearing large circle	089-5668-04	\$25.00
44	Consult	Holder pulley	089-5528-06	\$7.00
45	186908	Timing pulley S2M	089-5524-01	\$11.00
46	206368	Screw, set M3-0.5x3 mm, cup point, black oxide	M303S5	\$2.00
47	Consult	Cover timing belt	089-5535-02	\$9.00
48	Consult	Cable clamp	089-5731-06	\$1.00
49	Consult	Bracket motor	089-5529-00	\$20.00
50	119168	Motor stepping	089-5513-01	\$169.00
51	119169	Thermal head CHX56-8359, 1100 ohm	901-5061-06	\$252.00
—	48784	Screw, M3x6 w/flange (mounting screw)	000-010-0725-06	\$2.00
52	161974	Bracket head	089-5520-25	\$30.00
53	163391	Cover head	089-5534-09	\$4.00
54	163392	Spring coil	089-5542-09	\$3.00
55	163393	Spring coil	089-5541-05	\$3.00
56	163394	Plate A spring support	089-5521-01	\$3.00
57	163396	Snap ring, 6 mm, black oxide	089-5836-03	\$2.00
58	163398	Stay head	089-5519-02	\$9.00
59	156853	Bracket printer	089-5518-09	\$66.00
—	42728	Screw, M4x6 w/flange (mounting screw)	000-000-0436-01	\$2.00
60	180543	Spring plate	089-5533-05	\$3.00
61	165618	Collar spacer	089-5036-01	\$2.00
62	87533	Label gap sensor	105-5249-09	\$43.00
63	168935	Holder label sensor	089-5532-01	\$12.00
—	108945	Screw, M3x8 mm, phillips counter sink stainless steel		\$0.50
64	168936	Bracket label sensor	089-5522-04	\$6.00
65	87532	Sensor, cassette number	064-5586-08	\$46.00
67	195128	Stopper	089-5127-06	\$4.00
68	180544	Collar spacer	089-5037-04	\$2.00
69	180545	Collar	089-5527-02	\$8.00
70	Consult	Plate A	089-5526-09	\$2.00
72	—	Set screw		Consult
73	84066	Set screw, hex socket, w-point, M4-0.7x4 stainless steel	000-0469-03	\$2.00
75	Consult	Support	089-5729-08	\$1.00
77	197339	Harness C2 thermal head	140-7042-21	\$173.00
78	187229	Plate A	089-5919-18	\$3.00
79	Consult	Base mount	089-5732-00	\$1.00
80	195129	Sheet cushion	089-5057-09	\$6.00

Ref #	Part #	Description	Synonym	Price
84	Consult	Guide cassette	089-5176-09	\$6.00
90	Consult	Gasket 80 mm	089-5235-05	\$20.00
91	46984	E-ring, 4 mm shaft stainless steel M4	400-000-1050-00	\$2.00



Hanging Scales

# Uni-9H

Cassette

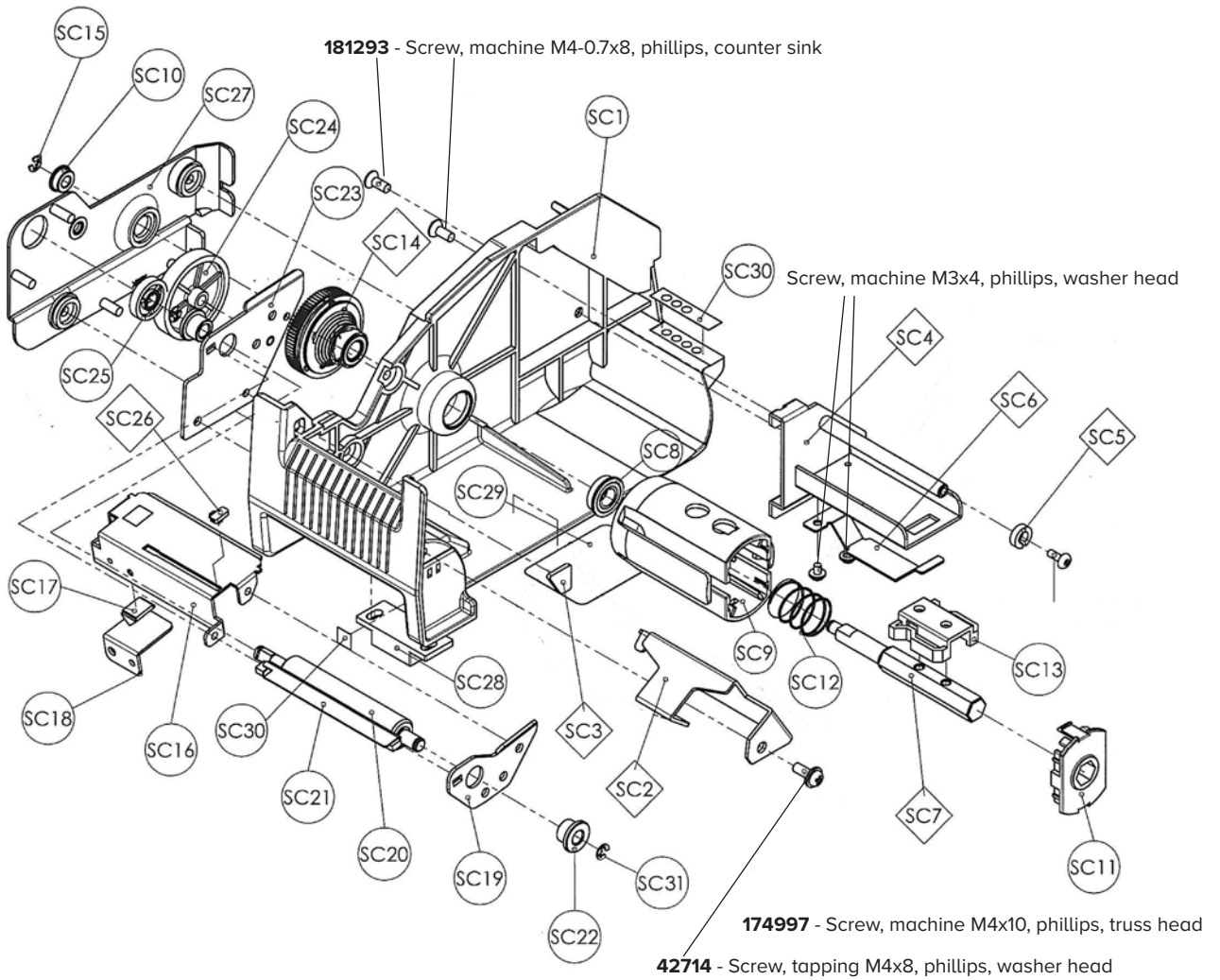


## Part Number/Price

Ref #	Part #	Description	Synonym	Price
SC1	<b>181196</b>	Frame cassette	000-089-5760-22	\$40.00
SC2	<b>131411</b>	Bracket label peel	000-089-6788-01	\$154.00
SC3	<b>131413</b>	Plate A	000-089-6790-00	\$10.00
SC4	<b>170795</b>	Holder assy, label roll	000-089-6783-03	\$87.00
SC5	<b>173893</b>	Guide label	000-089-5080-05	\$4.00
SC6	<b>180555</b>	Lever label guide	000-089-6782-00	\$51.00
SC7	<b>Consult</b>	Shaft step bobbin	000-089-6791-03	\$24.00
SC8	<b>Consult</b>	Bearing large circle	000-089-5666-07	\$22.00
SC9	<b>162104</b>	Bobbin roll	000-089-5550-09	\$4.00
SC10	<b>160705</b>	Bush	000-089-5129-03	\$2.00
SC11	<b>167494</b>	Cover roll	000-089-5551-02	\$2.00
SC12	<b>162103</b>	Spring coil compression	000-089-5560-06	\$4.00
SC13	<b>162102</b>	Stopper holder label	000-089-5554-03	\$2.00
SC14	<b>165181</b>	Torque limiter	000-089-6591-05	\$38.00
SC15	<b>46986</b>	E-ring, stainless steel, M3 shaft, 5 mm ID, 9.5 mm OD	400-000-0969-00	\$2.00
SC16	<b>Consult</b>	Guide table label	000-089-5557-04	\$18.00
SC17	<b>131415</b>	Block B prism	000-089-5556-01	\$2.00
SC18	<b>131416</b>	Bracket prism	000-089-5561-00	\$4.00
SC19	<b>180556</b>	Frame R	000-089-5546-03	\$9.00
SC20	<b>119171</b>	Roller printer	000-089-5544-15	\$23.00
SC21	<b>172963</b>	Plate as peel shaft	000-089-5548-01	\$22.00
SC22	<b>131419</b>	Bush	000-089-5597-12	\$3.00
SC23	<b>Consult</b>	Frame L	000-089-5545-19	\$15.00
SC24	<b>119507</b>	Gear flat	000-089-5547-07	\$2.00
SC25	<b>181099</b>	Gear flat	000-089-5128-00	\$2.00
SC26	<b>119508</b>	Guide label	000-089-5558-26	\$2.00
SC27	<b>204560</b>	Cover gear	000-089-5552-06	\$4.00
SC28	<b>131421</b>	Catch magnet	000-117-9647-06	\$6.00
SC29	<b>Consult</b>	Sticker label setting	000-089-5564-01	\$1.00
SC30	<b>126462</b>	Sticker cassette No	000-089-5563-07	\$5.00
SC31	<b>46984</b>	E-ring, 4mm Shaft SST M4	400-000-1050-00	\$2.00
—	<b>190565</b>	Label cassette, complete assy	089-6793-01	\$242.00
—	<b>198047</b>	Label cassette, complete assy for 107 mm tall mod	400-000-4428-00	\$242.00

# Uni-9H

Cassette



Hanging Scales

# Uni-10H

## Main Body



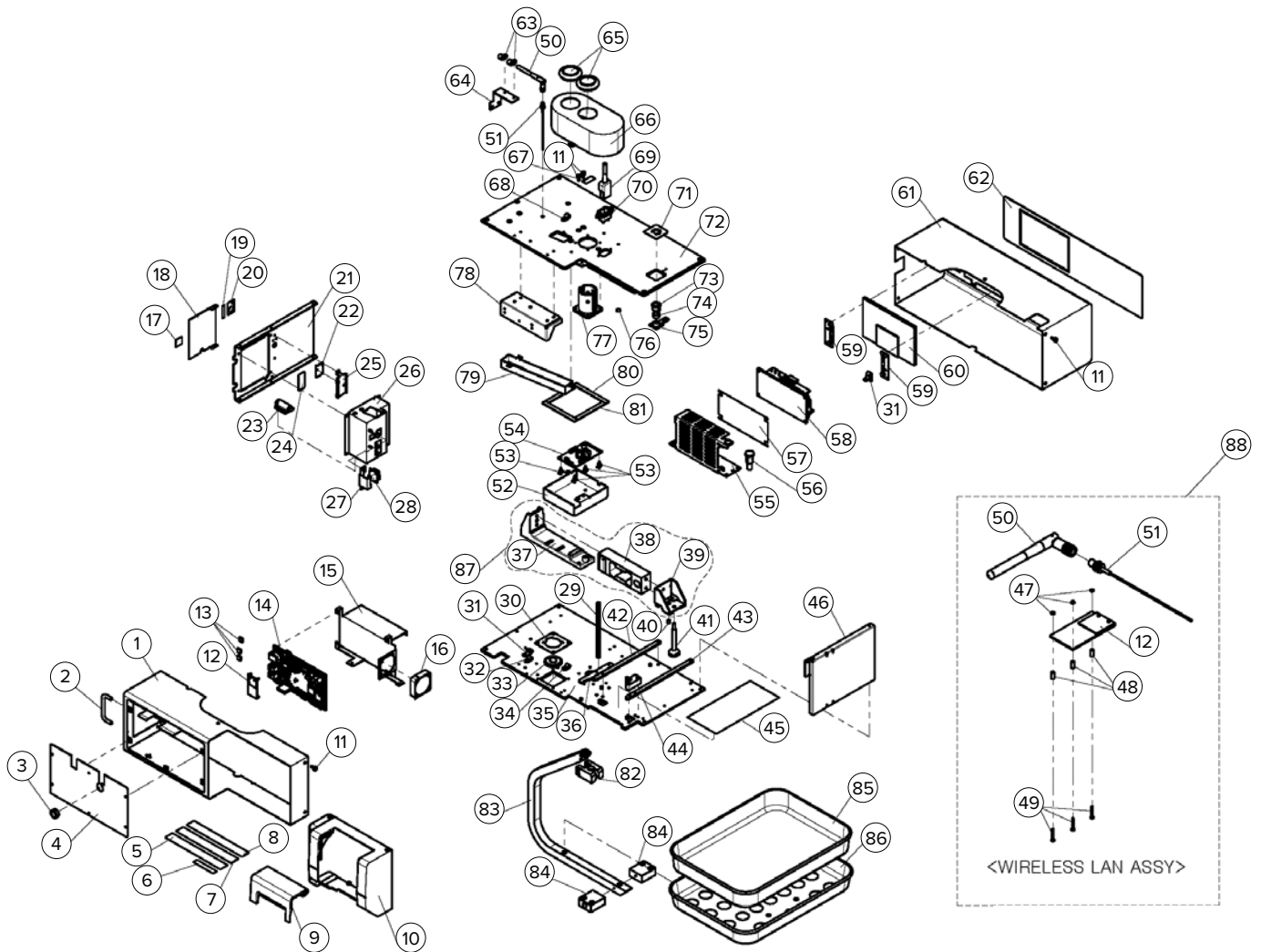
### Part Number/Price

Ref #	Part #	Description	Synonym	Qty	Price
1	223688	Case, main body, front	400-000-5962-01	1	\$571.00
2	Consult	Handle	000-089-6220-03	1	\$35.00
3	47015	Accessory: bush: open lock	400-000-7251-00	1	\$3.00
4	223689	Cover case front	400-000-5963-01	1	\$68.00
6	Consult	Wireless maker no. sticker	400-000-5591-00	1	\$2.00
7	Consult	Sticker: wireless	400-000-0123-00	1	\$13.00
8	Consult	Sticker: wireless	400-000-0124-00	1	\$13.00
9	223690	Cover, printer, top	400-000-5966-00	1	\$7.00
10	223691	Cover, printer, main	400-000-5965-00	1	\$21.00
11	126464	Screw, sealing, M4-0.7 mm, flat	000-089-5835-00	4	\$6.00
12†	220937	Module, wireless card, 2.4 GHz/5 GHz	400-000-7232-00	1	\$471.00
13	Consult	Gasket 10 mm	400-000-5844-00	3	\$1.00
14	220887	PWB: P-1180: B-1, CPU	400-000-7231-00	1	\$1,878.00
15	Consult	Bracket main board	400-000-5947-00	1	\$159.00
17	Consult	Sticker push	000-089-6234-05	1	\$1.00
18	Consult	Cover bracket connector	400-000-5946-00	1	\$52.00
19	Consult	Sticker: seal	000-089-7953-03	1	\$2.00
20	158260	Sheet: switch	400-000-7252-00	1	\$8.00
21	Consult	Frame side left	400-000-5937-00	1	\$168.00
22	220893	PWB: P-1185, power switch	400-000-7244-00	1	\$33.00
23	223692	Magnetic catch	400-000-5945-00	1	\$34.00
24	Consult	Decal, comms connectors identification	400-000-5933-00	1	\$1.00
25	Consult	Bracket PWB P-984	000-089-7920-02	1	\$30.00
26	Consult	Bracket connector	400-000-5943-00	1	\$291.00
27	Consult	Bracket drawer port	400-000-5944-00	1	\$30.00
28	158281	PWB: P-1117: cash drawer	400-000-7235-00	1	\$22.00
29	Consult	Screw shaft hexa ff	400-000-5948-00	1	\$48.00
30	Consult	Plate speaker	400-000-5972-00	1	\$5.00
31	Consult	Earth clamp	000-089-6337-05	2	\$5.00
32	223784	Clamp, cable	000-089-5731-06	1	\$1.00
33	Consult	Speaker assembly	400-000-5807-00	1	\$13.00
34	Consult	Clamp	000-089-6235-09	1	\$1.00
35	Consult	Plate bottom	400-000-5935-00	1	\$408.00
36	Consult	Block support printer	400-000-5942-00	1	\$52.00
37*	Consult	Bracket, load cell, lower	000-089-6135-00	1	\$31.00
38*	220895	Load cell	000-089-7293-10	1	\$419.00
39*	Consult	Bracket platter unit	000-089-6206-01	1	\$44.00
40	181195	Collar: spacer	000-089-5028-01	1	\$2.00
41	181190	Hanger, platter rod, load cell arm	000-089-6199-08	1	\$20.00
42	Consult	Guide cassette, left	400-000-5939-00	1	\$52.00
43	Consult	Guide cassette, right	400-000-5940-00	1	\$52.00
44	223695	Block, guide, cassette, right	400-000-5941-00	1	\$91.00
45	220886	Sheet, low friction	400-000-7228-00	1	\$44.00
46	Consult	Frame, side, right	400-000-5938-00	1	\$176.00
47†	Consult	Hex nut: T1	400-000-7234-00	3	\$2.00
48†	Consult	Collar: spacer	400-000-7233-00	3	\$2.00
49†	Consult	Bolt M1.7 x 12	400-000-5994-00	3	\$1.00
50†	223681	Antenna, Wi-Fi, white	400-000-7236-00	1	\$77.00
51†	223682	Antenna cable, Wi-Fi	400-000-7237-00	1	\$141.00
52	Consult	Bracket A/D board	400-000-5953-00	1	\$41.00
53	215525	Standoff, support, PWB, plastic, compression	000-089-6210-06	4	\$3.00
54	220889	PWB: P-1111: A-9, A/D board	400-000-7238-00	1	\$295.00
55	Consult	Bracket SMPS	400-000-5895-00	1	\$13.00
56	Consult	Fuse holder assembly	400-000-5808-00	1	\$28.00
57	Consult	Insulation sheet SMPS	400-000-5934-00	1	\$5.00
58	220890	Power supply, switching, LHP150-24	400-000-7239-00	1	\$232.00
59	186533	Bracket, LCD	400-000-7243-00	2	\$9.00

Hanging Scales

# Uni-10H

Main Body



Hanging Scales

# Uni-10H

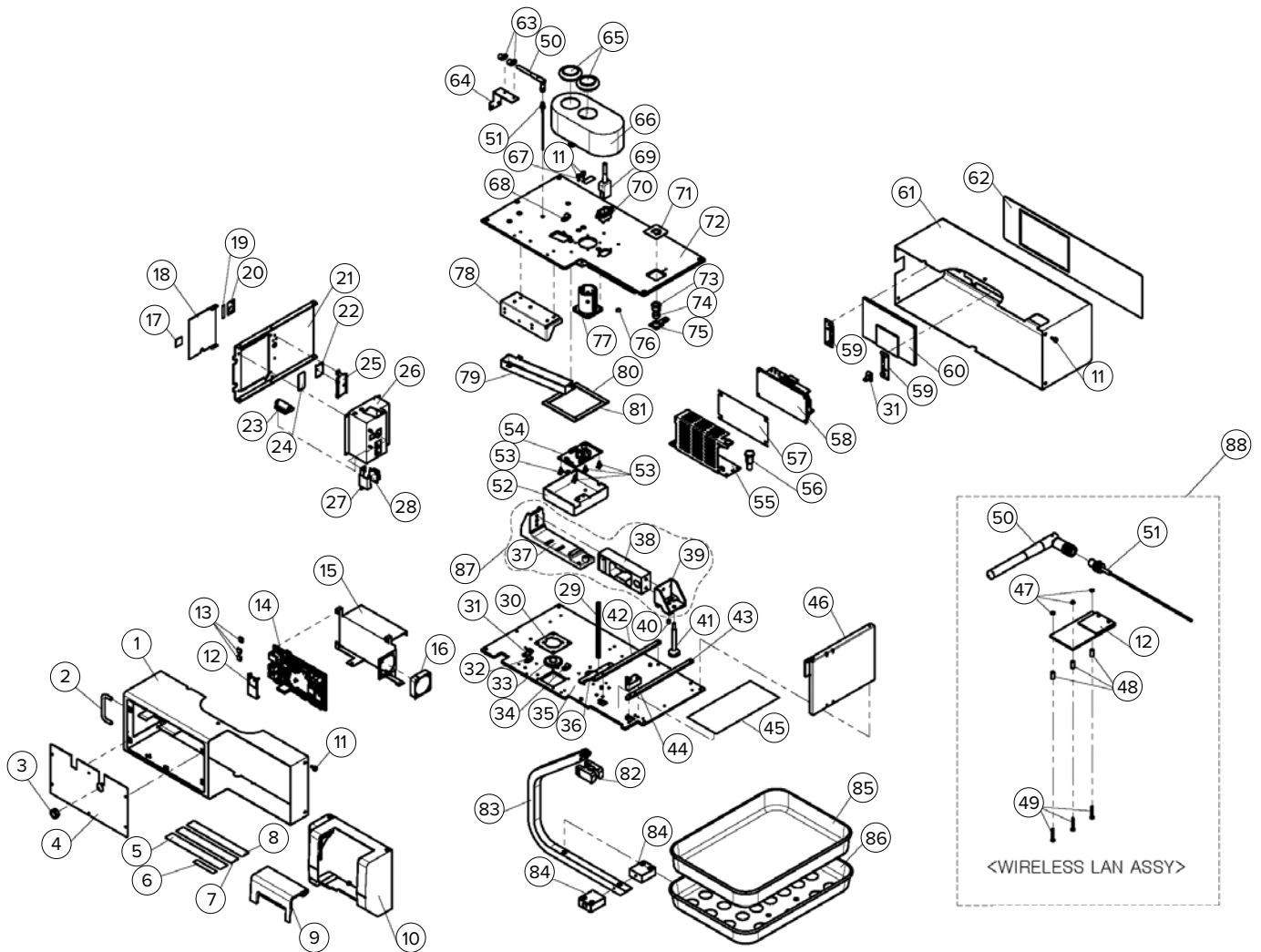
## Main Body



Ref #	Part #	Description	Synonym	Qty	Price
60	220892	LCD, customer display	400-000-5427-00	1	\$336.00
61	223693	Case, main, body, rear	400-000-5959-00	1	\$1,046.00
62	223694	Panel window	400-000-5968-00	1	\$54.00
63	Consult	Clamp, cable	400-000-3205-00	2	\$3.00
64	Consult	Bracket, clamp, antenna	400-000-5964-00	1	\$33.00
65	84029	Grommet w/diaphragm	400-000-7253-00	2	\$14.00
66	181191	Cover, inlet	000-089-6211-00	1	\$191.00
67	126461	Sticker, void, sealing	000-089-4988-11	1	\$6.00
68	223788	Clamp	000-089-6331-03	1	\$2.00
69	80991	Power cord	900-3335-01	1	\$21.00
70	183993	Harness: C2: power	000-089-4014-14	1	\$4.00
71	Consult	Cover level unit	000-089-6215-04	1	\$3.00
72	Consult	Plate top	400-000-5936-00	1	\$394.00
73	44455	Sleeve, frame level	000-089-0930-02	1	\$2.00
74	44425	Level unit	400-000-7230-00	1	\$50.00
75	Consult	Bracket, level	400-000-5952-0	1	\$22.00
76	Consult	Name plate	400-000-7254-00	1	\$1.00
77	220896	Hanging housing	000-089-2781-01	1	\$131.00
78	Consult	Bracket, torque hinge	400-000-5951-01	1	\$115.00
79	Consult	Guide, harness	400-000-5950-00	1	\$80.00
80	Consult	Gasket, 92 mm	000-089-6341-01	2	\$5.00
81	Consult	Gasket, 105 mm	000-089-6342-04	2	\$5.00
82	220897	Block, B bar connector	400-000-5955-00	1	\$94.00
83	223660	Bar, platter	400-000-5954-00	1	\$245.00
84	220898	Block, balance	400-000-5958-00	2	\$215.00
85	220899	Platter, square	400-000-5957-01	1	\$91.00
86	220900	Platter, square, lower	400-000-5956-01	1	\$88.00
87*	181098	Load cell assembly	400-000-2358-00	1	\$316.00
88†	220940	Wireless LAN assembly	400-000-5993-00	1	\$562.00

# Uni-10H

Main Body



Hanging Scales

# Uni-10H Printer

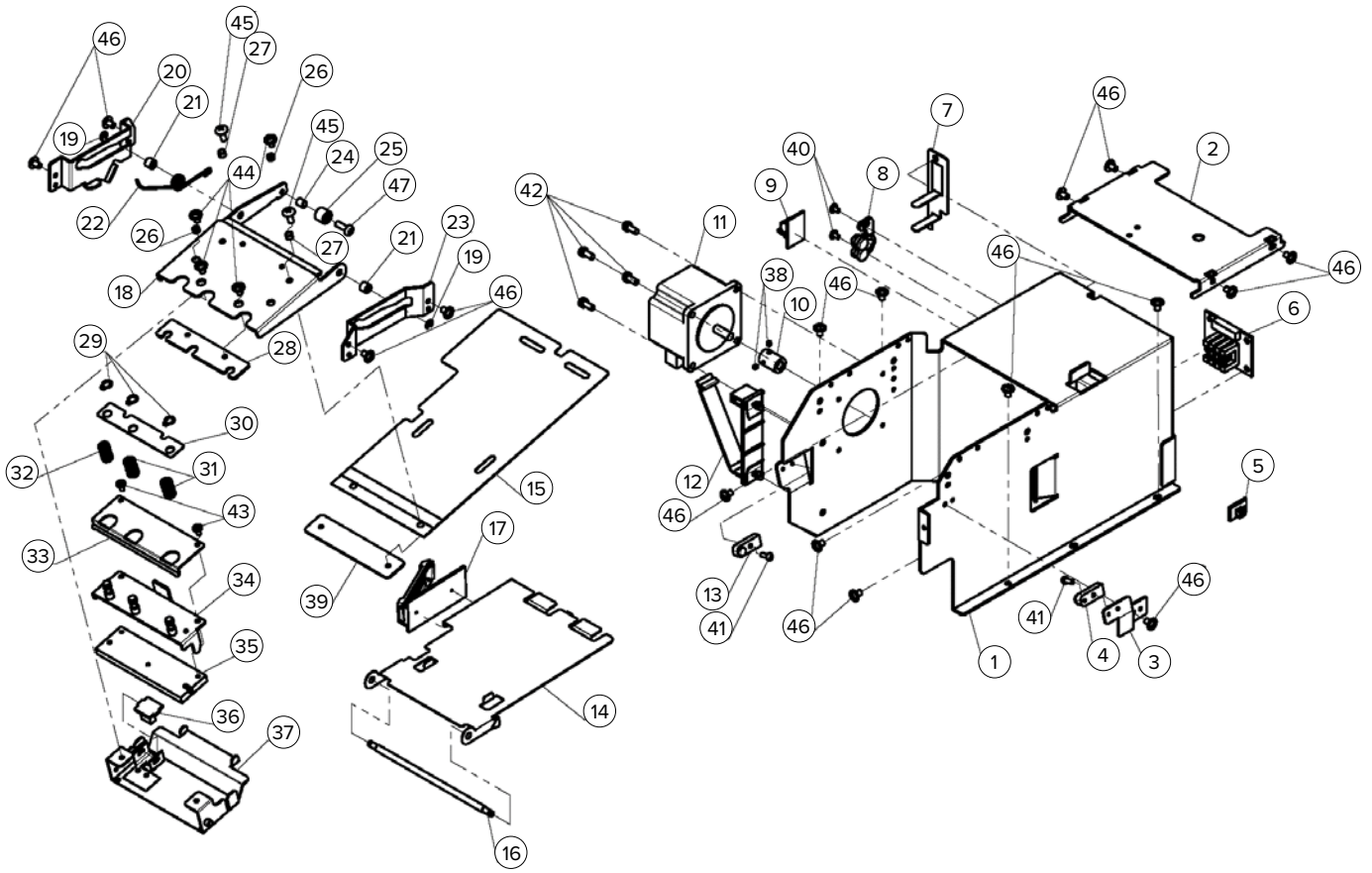


## Part Number/Price

Ref #	Part #	Description	Synonym	Qty	Price
1	Consult	Frame printer	400-000-5885-00	1	\$97.00
2	Consult	Frame: printer: upper	400-000-7264-00	1	\$15.00
3	223780	Bracket, sensor, peel emitter	400-000-7265-00	1	\$4.00
4	171877	Cover case front	400-000-5963-01	1	\$16.00
5	Consult	Accessory: clamp: wire	400-000-7267-00	1	\$21.00
6	87532	Sensor assembly, cassette number	400-000-7268-00	6	\$46.00
7	Consult	Catch: support	400-000-7269-00	1	\$11.00
8	175360	Catch: roller	400-000-7270-00	1	\$4.00
9	Consult	Accessory: clamp: ckn clamp	400-000-7271-00	1	\$2.00
10	223781	Spur gear, take motor	400-000-5904-00	1	\$8.00
11	119168	Motor: stepping	000-089-5513-01	1	\$169.00
12	223782	Accessory: clamp: flat cable	400-000-7272-00	1	\$10.00
13	171876	Peel sensor, transmitter, lower left	400-000-7273-00	1	\$17.00
14	Consult	Cover: harness: thermal	400-000-7274-00	1	\$15.00
15	Consult	Sheet: cover: harness	400-000-7275-00	1	\$18.00
16	Consult	Shaft: printer	400-000-7276-00	1	\$41.00
17	223785	Accessory: clamp: flat cable	400-000-7277-00	1	\$9.00
18	163272	Bracket: printer	400-000-7278-00	1	\$32.00
19	46986	E ring, stainless steel	400-000-0969-00	2	\$2.00
20	185707	Rail, printer, left	400-000-7279-00	1	\$10.00
21	174991	Bushing	400-000-7280-00	2	\$7.00
22	185711	Spring: coil	400-000-7281-00	1	\$9.00
23	185710	Rail, printer, right	400-000-7282-00	1	\$8.00
24	46989	Collar: spacer	400-000-7283-00	1	\$2.00
25	195128	Stopper	000-089-5127-06	1	\$4.00
26	175486	Collar: spacer	400-000-7284-00	2	\$2.00
27	115169	Collar: spacer	400-000-7285-00	2	\$2.00
28	Consult	Stay: head: thermal	400-000-7286-00	1	\$5.00
29	47215	C ring, for shaft, M6 stainless steel	400-000-7193-00	3	\$3.00
30	96437	Plate A: spring: support	400-000-7287-00	1	\$4.00
31	96436	Spring: coil: compressive	400-000-7288-00	2	\$3.00
32	96435	Spring: coil: compress	400-000-7289-00	1	\$3.00
33	96440	Cover: head	400-000-7290-00	1	\$10.00
34	96434	Bracket: head	400-000-7291-00	1	\$30.00
35	171875	Print head, thermal	400-000-7292-00	1	\$426.00
36	87533	Sensor, label gap	400-000-7293-00	1	\$43.00
37	Consult	Press assembly, label sensor	400-000-7294-00	1	\$32.00
38	206368	Set screw, M3 0.5 x 3 mm, cup point	400-000-5821-00	2	\$2.00
39	115168	Plate A, square	400-000-7295-00	1	\$4.00
40	199792	Screw, pan head, M3 x 5, flange washer head, stainless steel	400-000-7296-00	2	\$2.00
41	48240	Screw, cross pan head, M3 x 8, stainless steel	400-000-5343-00	2	\$1.00
42	200524	Screw, cross, pan head, w/SW, M4 x 10, zinc	400-000-5377-00	4	\$2.00
43	48784	Tapping screw, M3 x 6 pan head, stainless steel	400-000-7297-00	2	\$2.00
44	42728	Tapping screw, M4 x 6 pan head flange washer, stainless steel	400-000-7298-00	4	\$2.00
45	42851	Screw, cross truss M4 x 10 button head stainless steel	400-000-7299-00	2	\$2.00
46	47008	Tapping screw, M4 x 6 pan head flange washer, zinc	400-000-7300-00	19	\$3.00
47	185713	Screw, cross pan head, w/glue, M4 x 12 pan head stainless steel	400-000-7301-00	1	\$2.00
—	226043	Printer unit, complete, hanging	400-000-5919-00	1	\$1,273.00

Hanging Scales

# Uni-10H Printer



Hanging Scales

# Uni-10H

Cassette

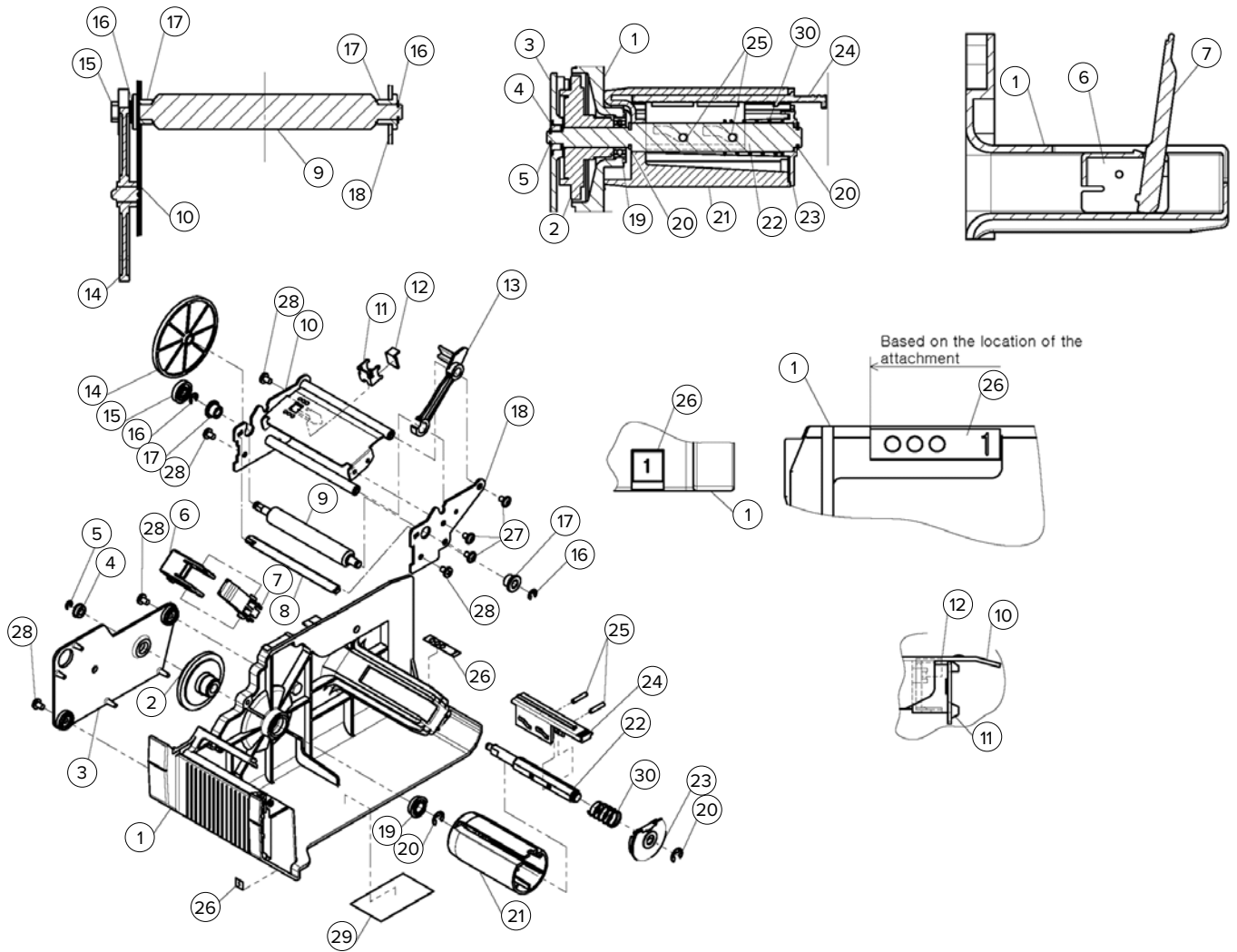


## Part Number/Price

Ref #	Part #	Description	Synonym	Qty	Price
1	Consult	Frame cassette	400-000-5858-01	1	\$48.00
2	116740	Torque limiter	400-000-7302-00	1	\$46.00
3	Consult	Cover gear	400-000-5859-00	1	\$6.00
4	160705	Bush	000-089-5129-03	1	\$2.00
5	223787	E ring, stainless steel	400-000-0969-00	1	\$1.00
6	66378	Holder, label guide	000-089-2830-01	1	\$4.00
7	66376	Lever, label guide label	000-089-2858-04	1	\$4.00
8	221028	Peel bar	400-000-7303-00	1	\$11.00
9	221029	Roller printer	400-000-5905-00	1	\$27.00
10	Consult	Frame platen l	400-000-5881-00	1	\$52.00
11	Consult	Bracket, prism	400-000-7304-00	1	\$2.00
12	198410	Block B, prism	400-000-7305-00	1	\$4.00
13	100519	Label guide	400-000-7306-00	1	\$3.00
14	221030	Spur gear	400-000-5860-00	1	\$6.00
15	93341	Gear, flat	400-000-7307-00	1	\$4.00
16	46984	E ring, 4 mm shaft, stainless steel	400-000-7308-00	2	\$2.00
17	131419	Bush, printer roller	000-089-5597-12	2	\$3.00
18	223783	Plate B platen r	400-000-5883-00	1	\$8.00
19	172635	Bearing, radial	400-000-7309-00	1	\$14.00
20	46977	E-Clip, ring M6 stainless steel	400-000-7310-00	2	\$2.00
21	101104	Bobbin, rolling	400-000-7311-00	1	\$6.00
22	221031	Take spool, shaft	400-000-5925-00	1	\$26.00
23	157781	Cover, rolling	400-000-7312-00	1	\$3.00
24	101105	Holder, rolling: hold	400-000-7313-00	1	\$3.00
25	157778	Spring pin, M3 x 14 mm, stainless steel, silver	400-000-7314-00	2	\$2.00
26	126462	Sticker, cassette number	000-089-5563-07	1	\$5.00
27	201594	Cross head tapping screw, M4-0.7 x 8 mm flange head w/ thread lock, zinc	400-000-7315-00	3	\$4.00
28	200526	Cross head tapping screw, M4-07 x 10 mm low profile, cross bind, stainless steel	400-000-7316-00	5	\$2.00
29	Consult	Name plate, explanation	400-000-7317-00	1	\$21.00
30	157782	Spring, coil compress	400-000-7318-00	1	\$3.00
—	221032	Complete cassette	400-000-5290-00		\$336.00

# Uni-10H

Cassette



Hanging Scales

# Uni-10H

Wiring Diagram



## Part Number/Price

Ref #	Part #	Description	Synonym	Price
1	221033	Harness, C2, thermal head	400-000-5804-00	\$155.00
2	221034	Harness, C6, LCD, operator display	400-000-5814-01	\$199.00
3	221035	Harness, S2, power, PS to CPU	400-000-5809-00	\$21.00
4	221036	Harness, C5, sensors (cassette no., peel, gap)	400-000-5810-01	\$61.00
5	221037	Harness, C4, label motor	400-000-5811-00	\$29.00
6	221038	Harness, S2, power switch	400-000-5812-00	\$23.00
7	221040	Harness, C4, LCD, customer display	400-000-5813-00	\$158.00
8	221041	Harness, C3, scale, CPU to A/D board	400-000-5815-00	\$31.00
9	125707	Fuse, glass tube FGA0-2, 6.4x30, UL	400-000-7263-00	\$6.00
10	Consult	Ferrite core CU1530G	400-000-5800-00	\$10.00
11	Consult	Ferrite core CU7030G	400-000-5801-00	\$7.00
12	Consult	Ferrite core	000-089-6532-05	\$11.00





# Discontinued Scales

<b>Table of Contents</b> .....	183
<b>RS-130 (Non-backlight)</b> .....	184
<i>Main Unit</i>	
<b>Astra</b> .....	186
<b>Astra with Pole</b> .....	190
<b>BC-4000E</b> .....	194
<i>Pole Assembly</i>	
<b>BC-4000L2</b> .....	198
<i>Pole Assembly</i>	
<b>BC-4000L2</b> .....	202
<i>Bench</i>	
<b>BC-4000S</b> .....	206
<i>Pole Assembly</i>	
<b>SR-2000a</b> .....	210
<i>Main Unit</i>	
<b>SR-2000a</b> .....	215
<i>Printer Unit</i>	
<b>SR-2000a</b> .....	217
<i>Cassette Unit</i>	
<b>SR-2000a</b> .....	219
<i>Controller Unit</i>	
<b>SR-2000a</b> .....	220
<i>Pole Display</i>	
<b>BC-4000L2H</b> .....	221
<i>Assembly</i>	
<b>BC-4000L2H</b> .....	223
<i>Assembly</i>	
<b>IL-2000SA</b> .....	225
<i>Main Unit</i>	
<b>IL-2000SA</b> .....	229
<i>Display Unit</i>	
<b>IL-2000SA</b> .....	231
<i>Printer Unit</i>	
<b>IL-2000SA</b> .....	233
<i>Cassette Unit</i>	
<b>IL-2000SA</b> .....	235
<i>Head Unit/Top Unit</i>	
<b>IL-2000SA</b> .....	236
<i>Wiring Diagram</i>	
<b>IL-EMZ</b> .....	237
<i>Main Unit</i>	
<b>IL-EMZ</b> .....	241
<i>Display Unit</i>	
<b>IL-EMZ</b> .....	243
<i>Cassette Unit</i>	
<b>IL-EMZ</b> .....	245
<i>Cassette Unit</i>	
<b>IL-EMZ</b> .....	247
<i>Main Unit Electrical</i>	

Parts not listed are no longer available. Some parts listed may not be available.

An ISO 9001 registered company © 2025 Rice Lake Weighing Systems Prices and specifications subject to change without notice. Visit [ricelake.com](http://ricelake.com) for current prices.

# RS-130 (Non-backlight)

Main Unit



## Part Number/Price

Ref#	Part#	Description	Price
1	85709	Keypad cover and switch panel overlay	\$17.00
—	85711	In use dust cover	\$7.00
2	85712	Front display-overlay (operator)	\$15.00
3	85713	Rear display-overlay (customer)	\$15.00
4	85714	Base plate (molded plastic)	\$54.00
5	85715	Upper cover (molded plastic)	\$54.00
6	50624	Load cell, 20 kg	\$148.00
7	85716	Foot	\$7.00
—	15438	Power cord	\$25.00
—	85718	Power switch (on/off type)	\$7.00
9	85723	Rear-display PCB	\$54.00
10	87711	Main PCB (with keyboard tare function)	\$204.00
—	92714	Main PCB (with RS-232C output for PN89483)	\$185.00
—	88574	Plastic platter	\$13.00
—	88575	Stainless steel platter	\$31.00
—	115263	Sealing pin	\$4.00
—	115927	Level bubble	\$5.00
11	85710	Rechargeable battery	\$25.00

(Diagram RS-130-A)

# RS-130 (Non-backlight) Main Unit

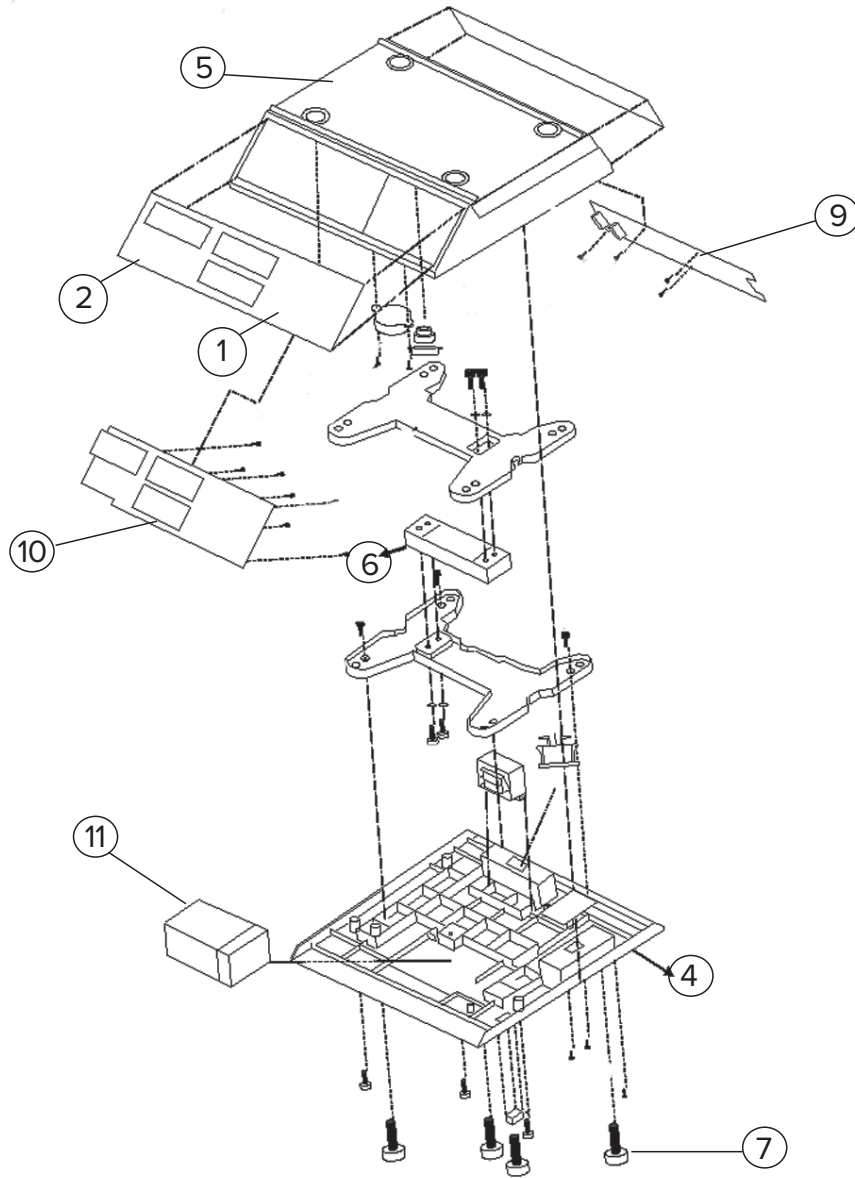


Diagram RS-130-A Bench

Discontinued Scales

Parts not listed are no longer available. Some parts listed may not be available.

An ISO 9001 registered company © 2025 Rice Lake Weighing Systems Prices and specifications subject to change without notice. Visit [ricelake.com](http://ricelake.com) for current prices.



## Part Number/Price

Ref#	Part#	Description	Price
1	66343	Platter	\$77.00
2	66344	Filter, display panel	\$13.75
5	42734	Push rivet	\$2.00
6	66345	Nameplate, specification	\$9.25
7	66346	Case, upper	\$65.25
8	66347	Keyboard, membrane, contacts only	\$41.50
9	66348	Sheet, keyboard, programming keyboard overlay adhesive back	\$22.00
10	66349	Keysheet, operator, insert	\$28.00
11	66350	Keysheet, clear with adhesive	\$9.00
12	66351	Sticker, level, bubble	\$3.00
13	66352	Frame, printer	\$29.75
14	66353	Standoff, A/D support	\$2.00
15	66354	Sensor, label gap	\$36.00
16	66355	DC/DC converter	\$63.00
17	66356	Harness, S2, DC/DC	\$11.00
18	66357	Motor, stepping print roller drive	\$61.00
19	66358	Bracket, stepping, motor	\$17.00
20	66359	Gear, stepping motor	\$2.00
21	66360	Gear, print roller	\$2.00
22	66361	Motor, label rewind	\$77.00
23	66362	Bracket, printhead release	\$6.00
24	66363	Bracket, frame, printhead	\$12.00
25	45145	Step, screw, pan	\$6.00
26	66364	Bracket, printhead lock	\$12.00
27	66365	Bracket, printhead	\$20.00
28	45203	Spring, coil, compressive	\$2.00
29	45237*	Printhead, thermal	\$252.00
—	48239	Screw, button head, M3x6, printhead mount	\$2.00
30	66366	Cable, printhead	\$19.00
31	45222	Shaft, lock	\$93.00
32	45206	Spring, coil, tension	\$3.00
33	45221	Shaft, fulcrum, 00-6168-04	\$5.00
—	46986	E-clip, stainless steel, M3 shaft, 5 mm ID, 9.5 mm OD 400-000-0969-00	\$2.00
34	45188	Threaded rod, round, FF	\$21.00
35	45201	Guide, label, outside	\$11.00
36	45223	Threaded rod, round, FF	\$6.00
37	66367	Guide, label, inside	\$4.00
38	66368	Bushing, right, print roller	\$2.00
39	66369	Roller, printer	\$27.00
40	66370	Bushing, left, print roller	\$2.00
41	66371	Plate, label	\$23.50
42/43	105437	Label take-up kit, reel and lever (without screws)	\$7.00
44	66374	Label press	\$9.00
45	66375	Screw, set screw, M3x6	\$2.00
46	66376	Guide, label lever	\$4.00
47	66377	Reel, label supply	\$10.00
48	66378	Reel, label supply holder	\$4.00
49	66379	Bracket, load cell	\$36.00
50	44414 †	Load cell, C2G1-25K	\$277.00
51	44410	Platter support	\$32.25
52	44406	Rubber, platter support	\$4.00

\* Same as Ishida 3000 Series

† Same as Ishida Nova-II (30lb)

(See Diagram Astra-A)

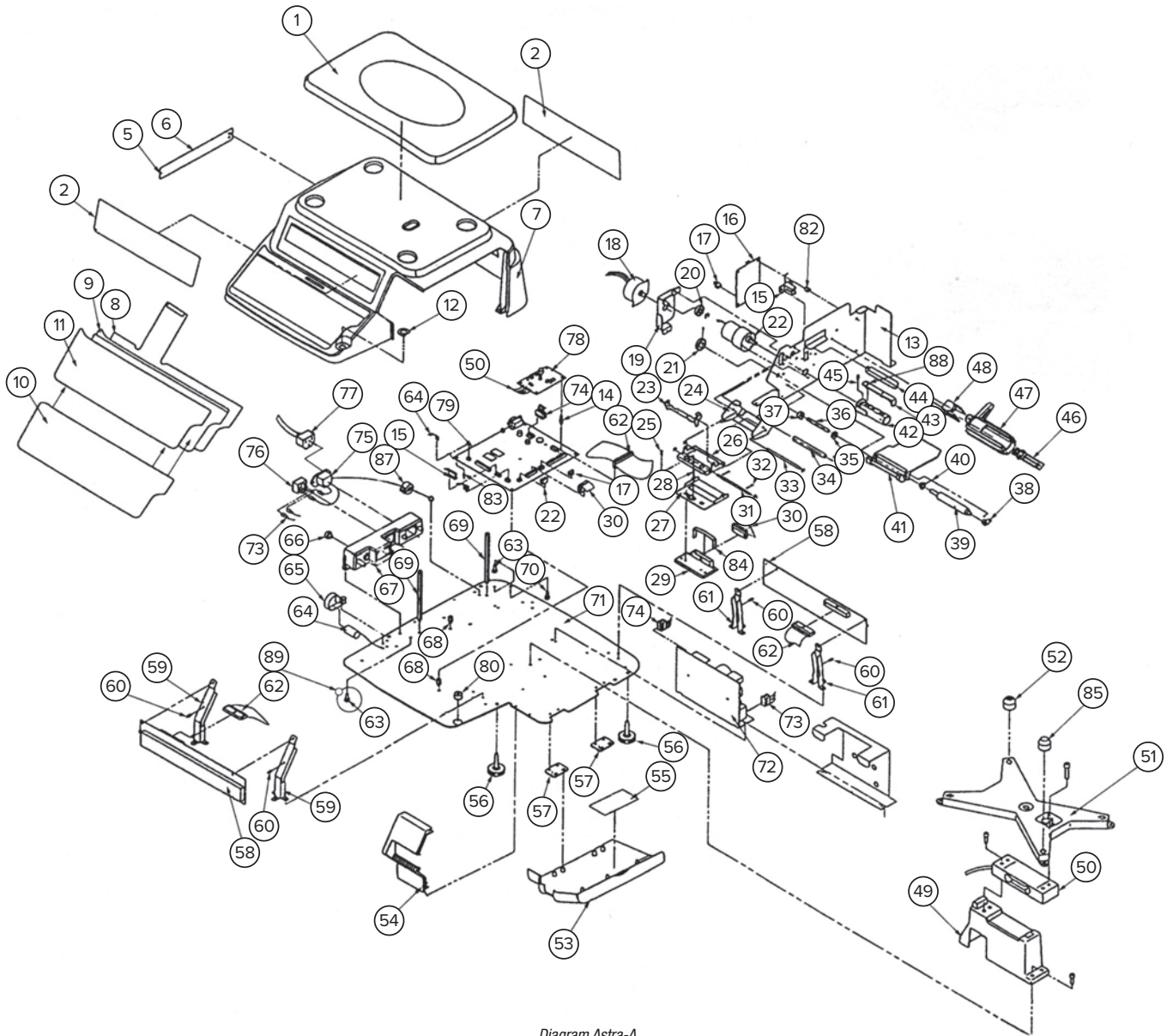


Diagram Astra-A

Parts not listed are no longer available. Some parts listed may not be available.

An ISO 9001 registered company © 2025 Rice Lake Weighing Systems Prices and specifications subject to change without notice. Visit [ricelake.com](http://ricelake.com) for current prices.

# Astra



## Part Number/Price

Ref#	Part#	Description	Price
53	66380	Cover, printer door	\$14.00
54	66381	Cover, front, printhead	\$7.00
55	66382	Sticker, label roll loading	\$4.00
56	44423*	Leg, adjusting, 23-3052-05	\$6.00
57	66383	Hinge, printer door	\$3.00
58	66384	Board, display, PK-221	\$277.00
59	66385	Bracket, display, front	\$9.00
60	66386	Standoff display	\$2.00
61	66387	Bracket, display, rear	\$8.00
62	66389	Cable, S3, display	\$44.75
63	45128	Screw, sealing, brass, 00-6609-00	\$12.00
64	66388	Battery	\$30.00
65	66390	Clamp, battery	\$2.00
66	44474	Screw, sealing, nylon, 89-2025-09	\$3.00
67	66391	Bracket, case, connector	\$11.00
68	66392	Standoff, main board	\$5.00
69	66393	Standoff, overload	\$7.00
70	66394	Screw, sealing, brass, self tapping	\$5.00
71	66395	Base, base plate	\$83.00
72	77975	Power supply, switching, SWD100P	\$252.00
—	77889	Fuse, power supply, 5A, 250V, 5x20	\$2.00
73	66396	Cable, C3, power, in from switch	\$9.75
74	47073	Harness, S2, PS, out to CPU, 47-3677-19	\$34.00
75	66397	Socket assembly, C4, power cord	\$14.00
76	66398	Switch, power	\$13.00
77	15438	Power cord	\$25.00
78	66399	Board, A/D, PK-219	\$179.00
79	66400	Board, main, PK-220A	\$589.00
80	44425	Level, Unit, 89-0914-02	\$50.00
82	66419	Standoff, DC/DC converter	\$2.00
83	66420	Standoff, mainboard	\$2.00
84	66401	Clip retainer, printhead	\$3.00
85	66402	Rubber, plate support, solid	\$5.00
87	66403	Filter, ferrite	\$10.00
88	42714	Screw, pan head tapping M4x8	\$3.00
89	42735	Seal, with wire	\$3.00

\* Same as Ishida 3000 Series

(Diagram Astra-A)

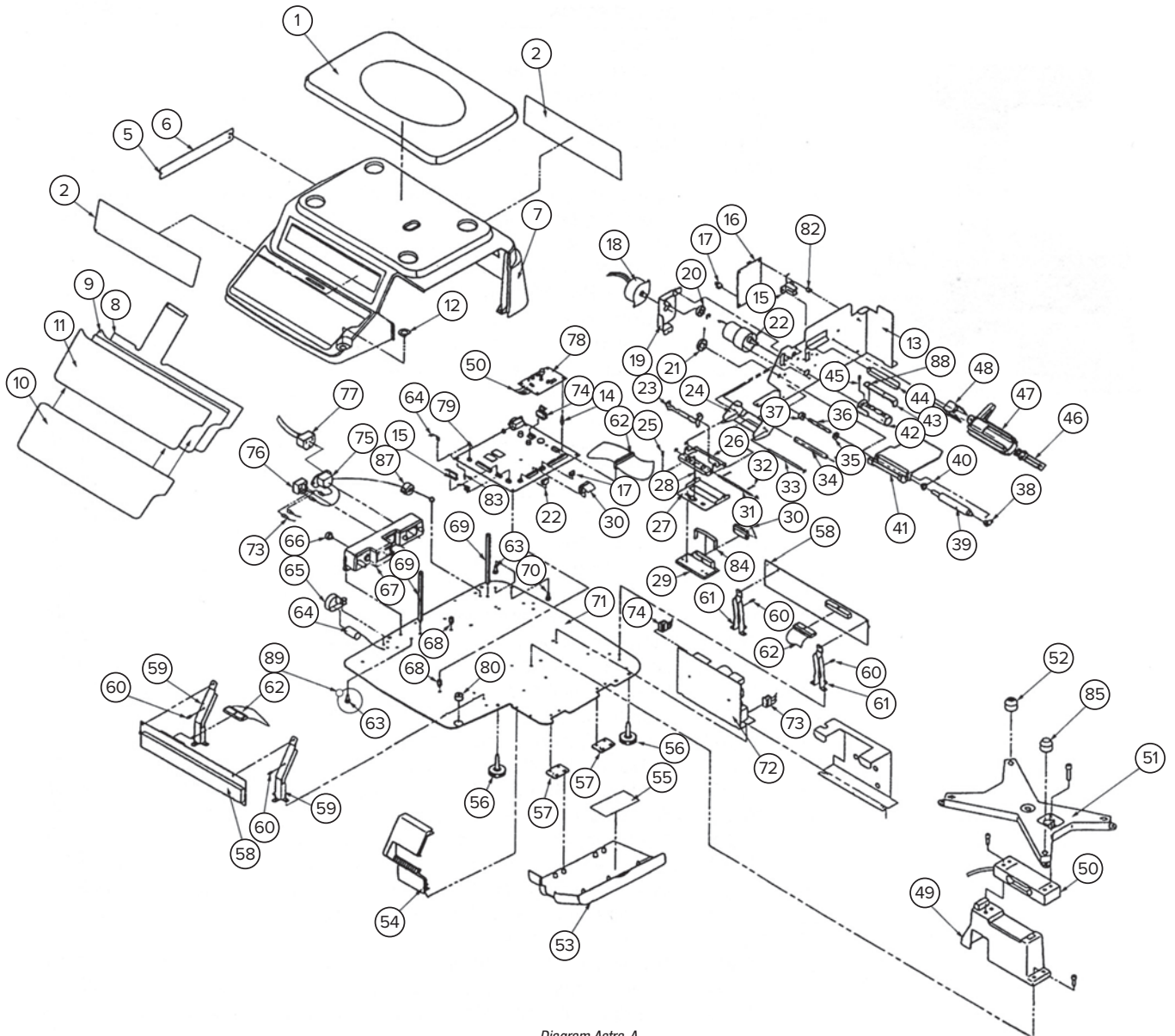


Diagram Astra-A

Parts not listed are no longer available. Some parts listed may not be available.

An ISO 9001 registered company © 2025 Rice Lake Weighing Systems Prices and specifications subject to change without notice. Visit [ricelake.com](http://ricelake.com) for current prices.

# Astra with Pole



## Part Number/Price

Ref#	Part#	Description	Price
1	<b>83777</b>	Platter	\$77.00
	<b>83781</b>	Backstop for platter	\$19.00
2	<b>68944</b>	Filter, display panel	\$15.00
5	<b>42734</b>	Push rivet, 00-4761-06	\$2.00
6	<b>66345</b>	Nameplate, specification	\$9.25
7	<b>66346</b>	Case, upper	\$65.25
8	<b>66347</b>	Keyboard, membrane, contacts only	\$41.50
9	<b>66348</b>	Sheet, keyboard, programming keyboard overlay adhesive back	\$22.00
10	<b>66349</b>	Keysheet, operator, insert	\$28.00
11	<b>66350</b>	Keysheet, clear with adhesive	\$9.00
12	<b>66351</b>	Sticker, level, bubble	\$3.00
13	<b>66352</b>	Frame, printer	\$29.75
14	<b>66353</b>	Standoff, A/D support	\$2.00
15	<b>66354</b>	Sensor, label gap	\$36.00
16	<b>66355</b>	DC/DC converter	\$63.00
17	<b>66356</b>	Harness, S2, DC/DC	\$11.00
18	<b>66357</b>	Motor, stepping print roller drive	\$61.00
19	<b>66358</b>	Bracket, stepping, motor	\$17.00
20	<b>66359</b>	Gear, stepping motor	\$2.00
21	<b>66360</b>	Gear, print roller	\$2.00
22	<b>66361</b>	Motor, label rewind	\$77.00
23	<b>66362</b>	Bracket, printhead release	\$6.00
24	<b>66363</b>	Bracket, frame, printhead	\$12.00
25	<b>45145</b>	Step, screw, pan, 36-0942-00	\$6.00
26	<b>66364</b>	Bracket, printhead lock	\$12.00
27	<b>66365</b>	Bracket, printhead	\$20.00
28	<b>45203</b>	Spring, coil, compressive, 00-6375-09	\$2.00
29	<b>45237*</b>	Printhead, thermal, 36-2636-16	\$252.00
—	<b>48239</b>	Screw, button head, M3x6, printhead mount	\$2.00
30	<b>66366</b>	Cable, printhead	\$19.00
31	<b>45222</b>	Shaft, lock, 49-6373-12	\$93.00
32	<b>45206</b>	Spring, coil, tension	\$3.00
33	<b>45221</b>	Shaft, fulcrum, 00-6168-04	\$5.00
—	<b>46986</b>	E-clip, stainless steel, M3 shaft, 5 mm ID, 9.5 mm OD 400-000-0969-00	\$2.00
34	<b>45188</b>	Threaded rod, round, FF, 36-2507-00	\$21.00
35	<b>45201</b>	Guide, label, outside, 20-2507-00	\$11.00
36	<b>45223</b>	Threaded rod, round, FF, 00-6173-03	\$6.00
37	<b>66367</b>	Guide, label, inside	\$4.00
38	<b>66368</b>	Bushing, right, print roller	\$2.00
39	<b>66369</b>	Roller, printer	\$27.00
40	<b>66370</b>	Bushing, left, print roller	\$2.00
41	<b>66371</b>	Plate, label	\$23.50
42/43	<b>105437</b>	Label take-up kit, reel and lever (without screws)	\$7.00
44	<b>66374</b>	Label press	\$9.00
45	<b>66375</b>	Screw, set screw, M3x6	\$2.00
46	<b>66376</b>	Guide, label lever	\$4.00
47	<b>66377</b>	Reel, label supply	\$10.00
48	<b>66378</b>	Reel, label supply holder	\$4.00
49	<b>66379</b>	Bracket, load cell	\$36.00
50	<b>44414 †</b>	Load cell, C2G1-25K, 89-0643-03	\$277.00
51	<b>44410</b>	Platter support, 89-1884-08	\$32.25
52	<b>44406</b>	Rubber, platter support, 89-1631-11	\$4.00

\* Same as Ishida 3000 Series

† Same as Ishida Nova-II (30 lb)

(See Diagram Astra-B)

Discontinued Scales

# Astra with Pole

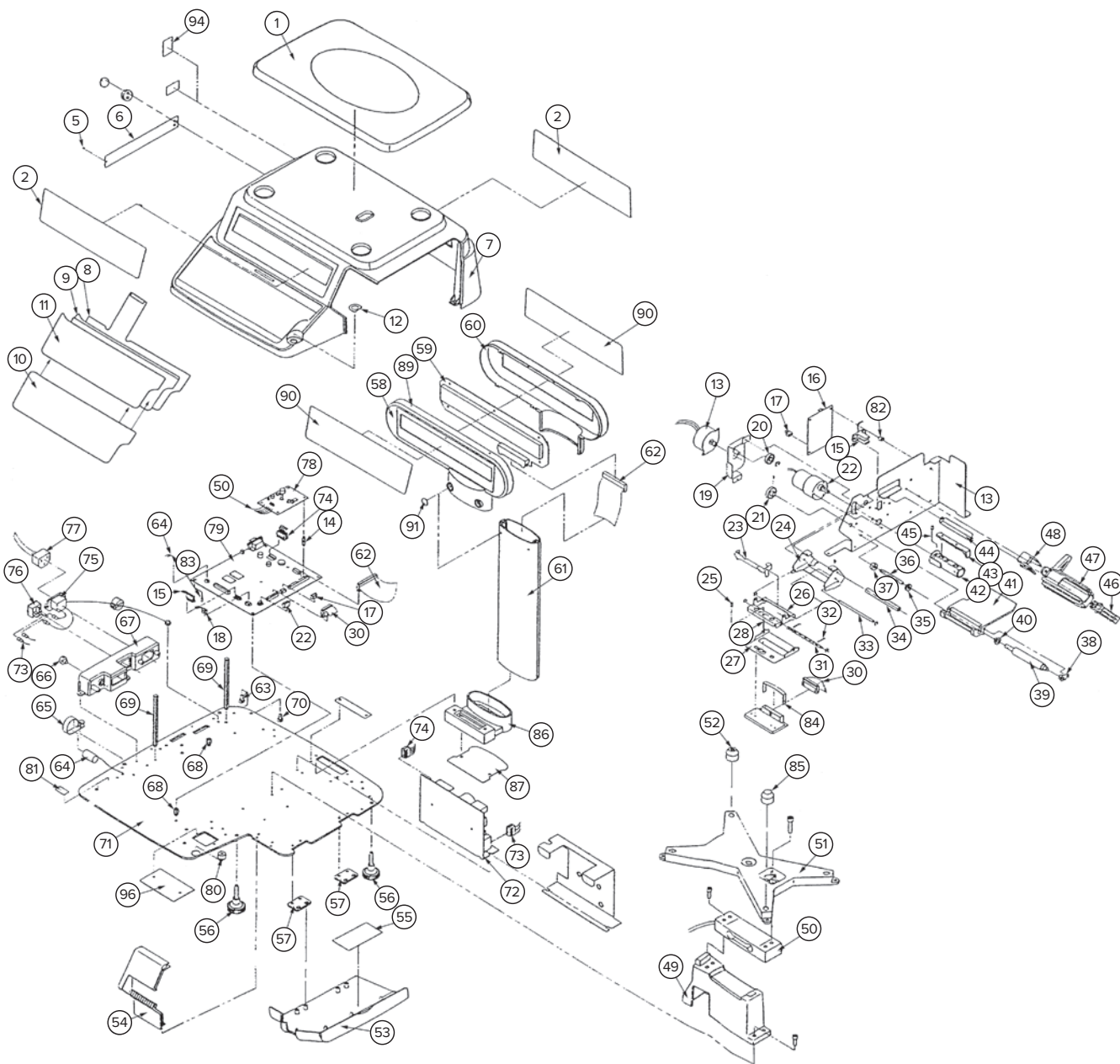


Diagram Astra-B

Parts not listed are no longer available. Some parts listed may not be available.

An ISO 9001 registered company © 2025 Rice Lake Weighing Systems Prices and specifications subject to change without notice. Visit [ricelake.com](http://ricelake.com) for current prices.

# Astra with Pole



## Part Number/Price

Ref#	Part#	Description	Price
53	66380	Cover, printer door	\$14.00
54	66381	Cover, front, printhead	\$7.00
55	66382	Sticker, label roll loading	\$4.00
56	68946	Leg, adjusting, 89-3059-09	\$6.00
57	66383	Hinge, printer door	\$3.00
58	68947	Case, front, 89-3054-01	\$14.00
59	68948	PWB, display, 89-3064-08	\$368.00
60	68949	Case, rear, 89-3055-04	\$14.00
61	68950	Pole stand, 89-3310-04	\$59.00
62	68945	Harness, S2, display, 89-3105-07	\$34.00
63	45128	Screw, sealing, brass, 00-6609-00	\$12.00
64	66388	Battery	\$30.00
65	66390	Clamp, battery	\$2.00
66	44474	Screw, sealing, nylon, 89-2025-09	\$3.00
67	66391	Bracket, case, connector	\$11.00
68	66392	Standoff, main board	\$5.00
69	66393	Standoff, overload	\$7.00
70	66394	Screw, sealing, brass, self tapping	\$5.00
71	68953	Base, base plate, 89-2688-53	\$83.00
72	77975	Power supply, switching, SWD100P 102-9575-06	\$252.00
—	77889	Fuse, power supply, 5A, 250V, 5x20	\$2.00
73	66396	Cable, C3, power, in from switch	\$9.75
74	47073	Harness, S2, PS, out to CPU, 47-3677-19	\$34.00
75	66397	Socket assembly, C4, power cord	\$14.00
76	66398	Switch, power	\$13.00
77	15438	Power cord	\$25.00
78	66399	Board, A/D, PK-219	\$179.00
79	66400	Board, main, PK-220A	\$589.00
80	44425	Level, Unit, 89-0914-02	\$50.00
81	Consult	Sticker, caution	\$1.25
82	66419	Standoff, DC/DC converter, 89-2859-08	\$2.00
83	66420	Standoff, mainboard, 89-2677-07	\$2.00
84	66401	Clip retainer, printhead, 89-2973-28	\$3.00
85	66402	Rubber, plate support, solid, 89-3006-01	\$5.00
86	68952	Bracket, pole, 89-3056-08	\$27.00
87	68951	Cover, bracket, 89-3321-05	\$8.00
89	45174	Push rivet, 36-3442-05	\$2.00
90	66344	Sheet, display panel, 89-2843-18	\$13.75
94	Consult	UL sticker, 89-2798-04	\$1.25
96	Consult	Plate A, module, 89-3414-08	\$1.25
97	42714	Screw, pan head tapping, M4x8	\$3.00
98	42735	Seal, with wire	\$3.00

\* Same as Ishida 3000 Series

(Diagram Astra-B)

# Astra with Pole

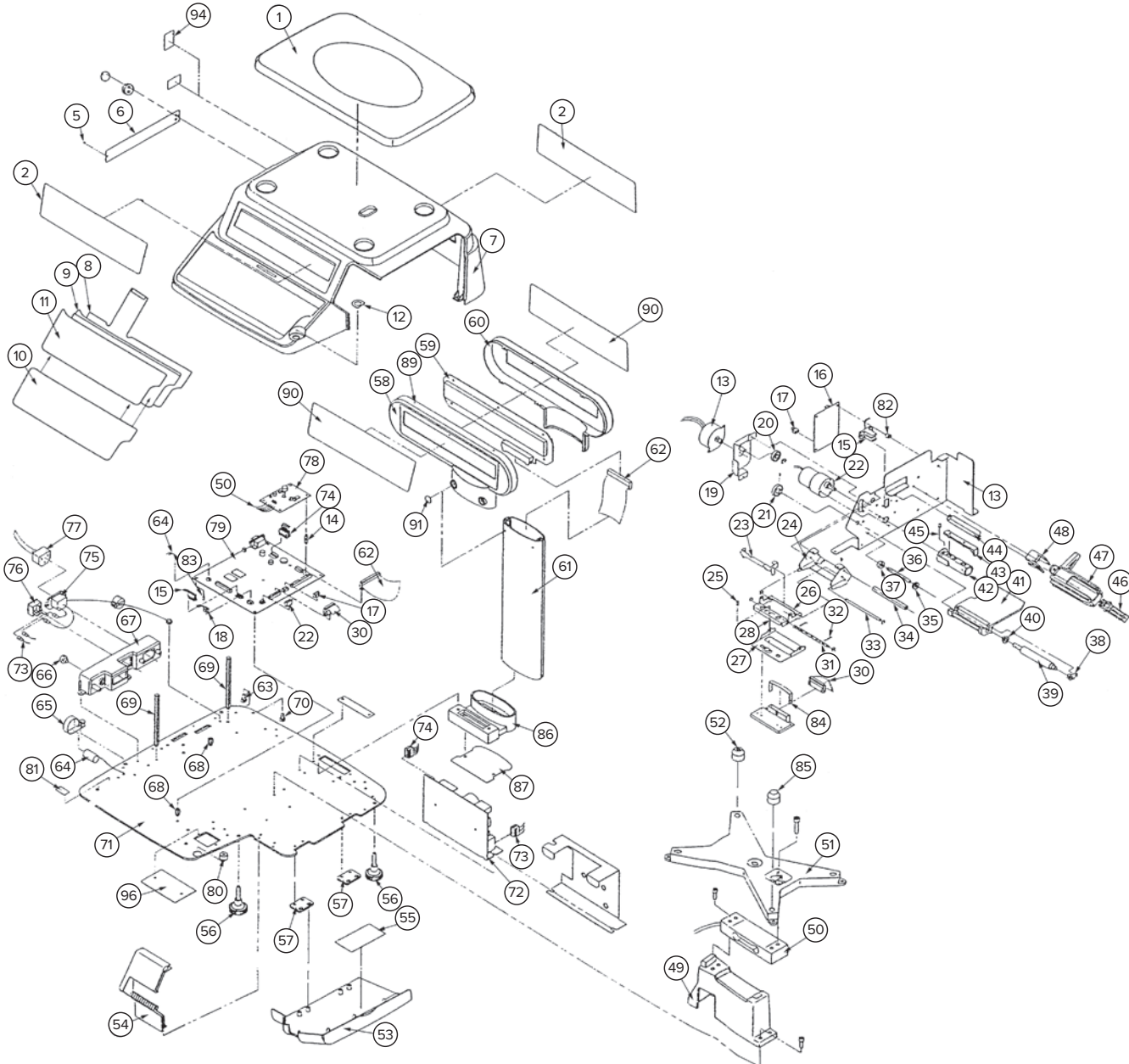


Diagram Astra-B

Parts not listed are no longer available. Some parts listed may not be available.  
 An ISO 9001 registered company © 2025 Rice Lake Weighing Systems Prices and specifications subject to change without notice. Visit [ricelake.com](http://ricelake.com) for current prices.

# BC-4000E

Pole Assembly



## Part Number/Price

Ref#	Part#	Description	Price
1	83777	Platter	\$77.00
—	83781	Platter backstop	\$19.00
2	102811	Case, UL	\$77.00
—	119832	Screw, self tap, M4x13, upper cover mount	\$2.00
3	102812	Lens	\$2.00
4	102813	Keyboard, membrane, contacts only	\$54.00
5	102815	Sheet, programming keyboard	\$24.00
6	102814	Keysheet, operation insert	\$30.00
7	102816	Sheet, clear, with adhesive	\$19.00
8	Consult	Nameplate specification	Consult
9	102817	PWB, PS-037, tactile keyboard	\$54.00
10	102818	Harness, S3, tactile keyboard	\$54.00
11	44406	Rubber, platter support	\$4.00
12	66402	Rubber, platter support, solid	\$5.00
13	44410	Platter support	\$32.25
14	44414	Load cell, C2G1-25K-S18-25kg-350	\$277.00
—	91729	Load cell, for RL S/S remote base	\$235.00
—	85826	RSB3000 load cell	\$369.00
15	66379	Bracket, load cell	\$36.00
16	110802	PWB, PS-229A, A/D board	\$238.00
—	114043	PWB, PS-229A, A/D board, with ground wire, for remote base	\$244.00
—	91895	Remote base A/D harness, internal, for RL S/S	\$35.00
—	85830	Remote base A/D harness, internal, for RSB-3000	\$79.00
17	108024	PWB, PS-990, Main CPU board, 2M	\$725.00
—	109653	PWB, PS-990, Main CPU board, 4M	\$843.00
—	109126	Battery	\$4.00
18	66353	Accessory, support, post	\$2.00
19	102820	Accessory, support, main	\$2.00
20	80969	Harness, C4, power, includes receptacle	\$10.00
21	66398	Switch	\$13.00
22	80991	Power cord	\$21.00
23	66403	Power GND cord, with ferrite filter	\$10.00
24	102821	Case, connector, UL	\$19.00
25	102822	Bar, Hex, M	\$8.00
26	Consult	Bar, Hex, MF	\$1.25
27	107707	Power supply, LFS150-SR4.0	\$252.00
—	77889	Fuse, power supply, Fuse 250V, 5A, 5x20	\$2.00
28	66396	Harness, C3, power, in from switch	\$9.75
29	47073	Harness, S2, power, out to CPU	\$34.00
30	104167	Base	\$83.00
31	79432	Foot, level	\$12.00
32	66383	Hinge	\$3.00
33	104168	Cover, side, UL	\$15.00
34	66382	Sticker, label roll loading	\$4.00
35	104169	Cover, front, UL	\$8.00
—	42719	Screw, M4x8, front cover mount	\$2.00
36	104170	Harness, TCP/IP, UL	\$26.25
—	101393	Jumper, RJ45, for wireless (connect to CB3000)	\$11.00
37	104171	Bracket module (metal)	\$5.00
38	104268	Harness, S2, display	\$7.00
—	104294	Display panel, BC4000Ei	\$15.75
40	104270	Display case, front, UL	\$14.00
41	104175	Cap, screw cover	\$2.00
42	104250	Push rivet	\$1.50
43	104271	PWB, PS-029, display board, LED	\$217.00
44	104272	PWB, PS-038, display driver board	\$87.00

(Diagram BC-4000E-A)

Discontinued Scales

Parts not listed are no longer available. Some parts listed may not be available.

An ISO 9001 registered company ©2025 Rice Lake Weighing Systems Prices and specifications subject to change without notice. Visit [ricelake.com](http://ricelake.com) for current prices.

# BC-4000E

Pole Assembly

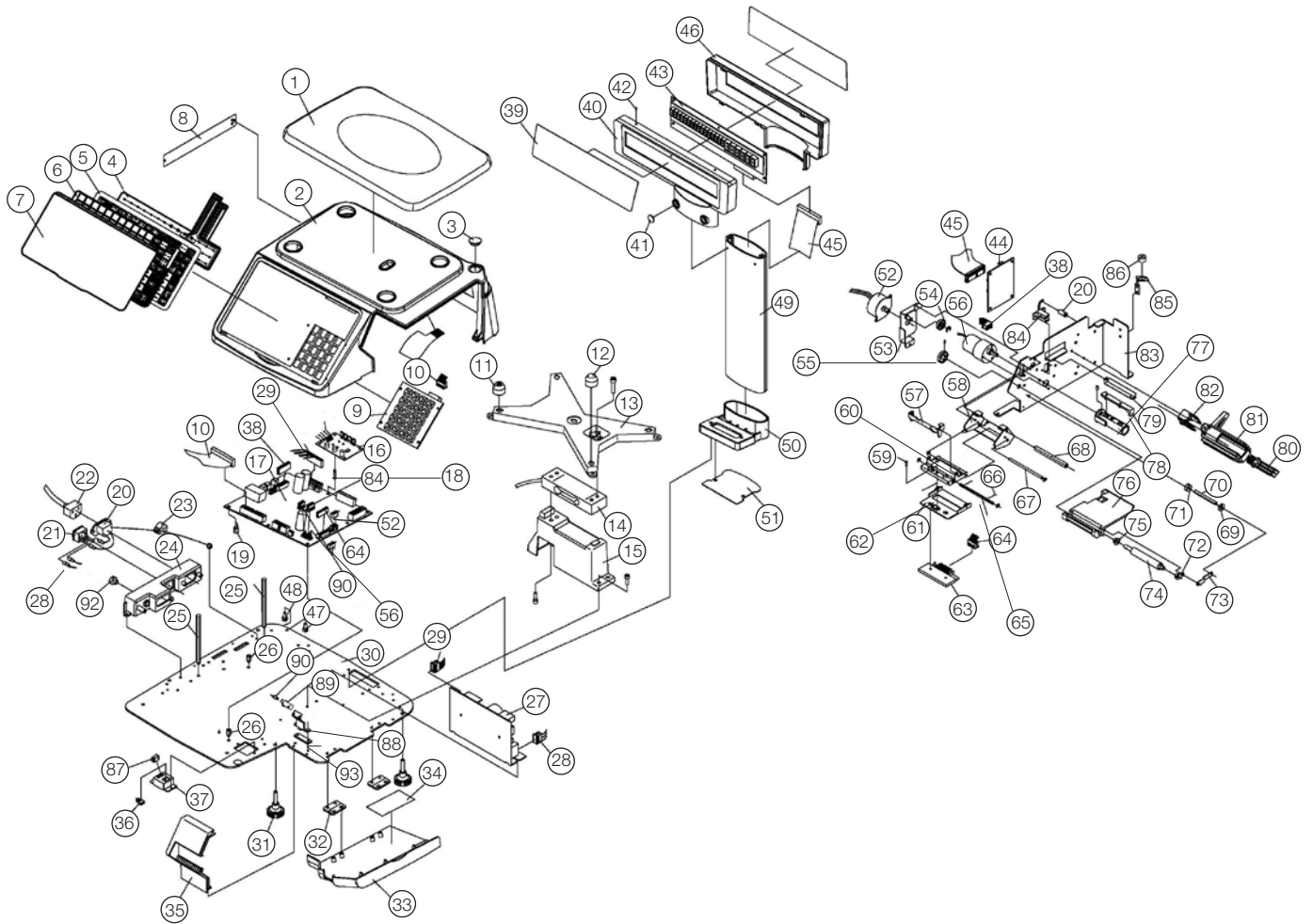


Diagram BC-4000E-A

Parts not listed are no longer available. Some parts listed may not be available.

An ISO 9001 registered company © 2025 Rice Lake Weighing Systems Prices and specifications subject to change without notice. Visit [ricelake.com](http://ricelake.com) for current prices.

# BC-4000E

Pole Assembly



## Part Number/Price

Ref#	Part#	Description	Price
45	104273	Harness, S2, display	\$14.00
46	104274	Display case, rear, UL	\$14.00
47	45128	Seal, screw, M4	\$12.00
48	66394	Screw, seal	\$5.00
49	104257	Pole	\$58.00
50	104258	Base, pole	\$27.00
51	104260	Pole base cover	\$5.00
52	66357	Motor, stepping, print roller drive	\$61.00
53	66358	Bracket, motor	\$17.00
54	66359	Gear, spur, dual	\$2.00
55	66360	Gear, spur, single	\$2.00
56	110971	Motor, label paper rewind	\$77.00
57	66362	Bracket push	\$6.00
58	66363	Frame head	\$12.00
59	45145	Step screw pan	\$6.00
60	66364	Bracket lock	\$12.00
61	66365	Bracket head	\$20.00
62	45203	Spring coil	\$2.00
63	119169	Thermal head, BHE4256SU / CHX56-8359, 1100 ohm	\$252.00
—	100747	Tear bar, for continuous label	\$18.00
—	116073	Screw, button head, M3x4, thermal head mount	\$2.00
64	104267	Harness, S2, thermal head	\$19.00
65	45222	Shaft	\$93.00
66	45206	Tension spring	\$3.00
67	45221	Shaft	\$5.00
—	46986	E-clip, stainless steel, M3 shaft, 5 mm ID, 9.5 mm OD 400-000-0969-00	\$2.00
68	45188	Screw bow	\$21.00
69	45201	Guide, label	\$11.00
70	45223	Screw bow	\$6.00
71	66367	Guide label	\$4.00
72	66368	Bush right	\$2.00
73	80954	Bracket, support	\$3.00
74	108192	Roller, rubber	\$25.50
75	66370	Bush, left	\$2.00
76	66371	Table, label	\$23.50
77/78	105437	Label take-up kit, reel and lever (without screws)	\$7.00
—	42714	Screw, M4x8, pan head tap (two required)	\$3.00
—	66375	Screw, M3x6, set	\$2.00
79	66374	Label press	\$9.00
80	66376	Lever, guide label	\$4.00
81	66377	Holder, label	\$10.00
82	66378	Holder, guide label	\$4.00
83	66352	Frame printer	\$29.75
84	66354	Label sensor assembly	\$36.00
85	104261	Level support	\$2.00
86	44425	Level Unit	\$50.00
87	104262	Connector, EL-3H (unused)	\$3.00
88	104263	Bracket, peel sensor	\$3.00
89	80953	Peel sensor	\$51.00
—	119831	Screw, M3x16, sensor mount	\$2.00
90	104264	Harness, peel sensor	\$3.00
92	44474	Plastic screw M8	\$3.00
93	Consult	Spacer, bracket, peel sensor	\$1.00

(Diagram BC-4000E-A)

Discontinued Scales

# BC-4000E

Pole Assembly

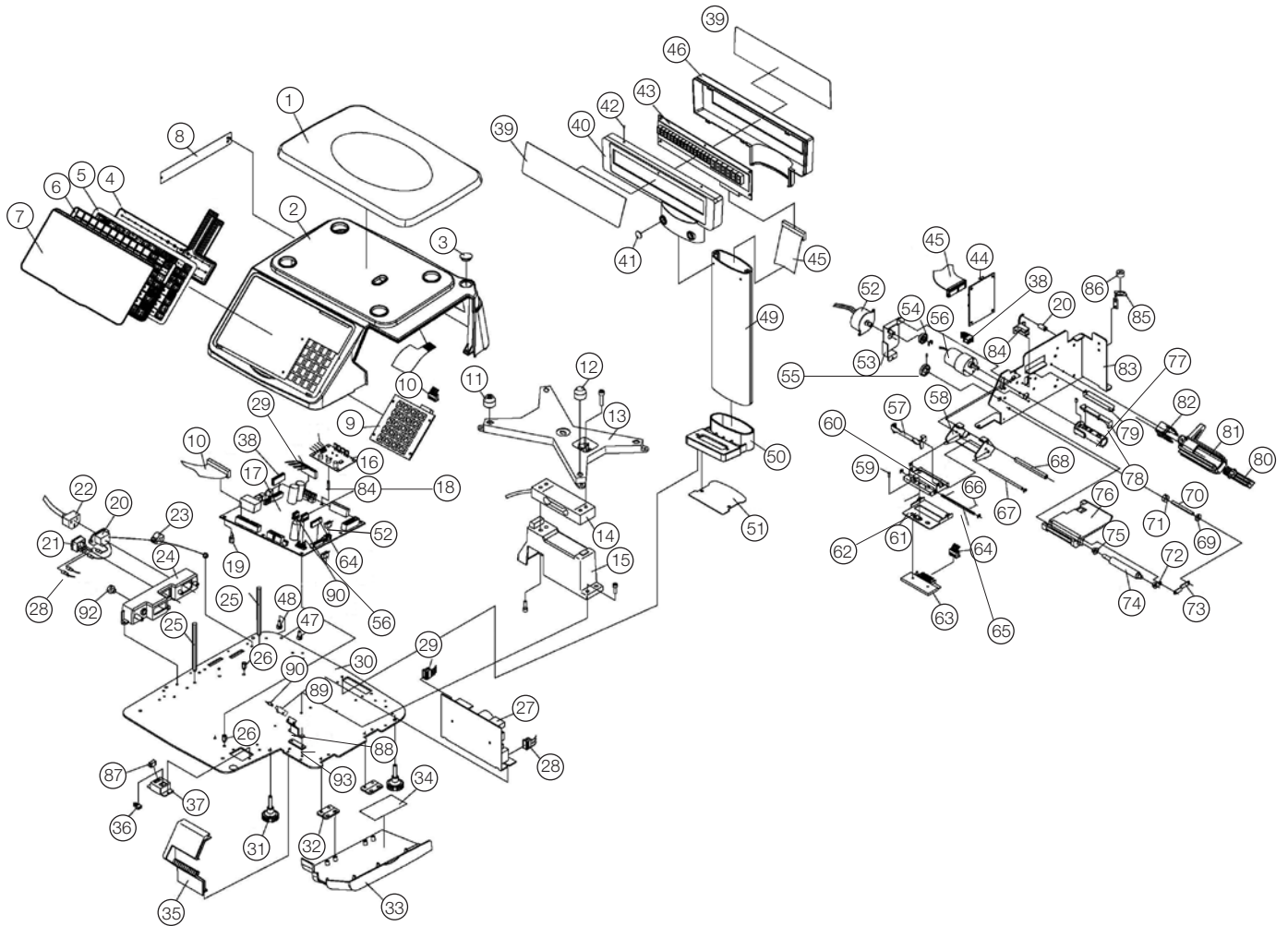


Diagram BC-4000E-A

Parts not listed are no longer available. Some parts listed may not be available.

An ISO 9001 registered company © 2025 Rice Lake Weighing Systems Prices and specifications subject to change without notice. Visit [ricelake.com](http://ricelake.com) for current prices.

# BC-4000L2

Pole Assembly



## Part Number/Price

Ref#	Part#	Description	Price
1	83777	Platter	\$77.00
—	83781	Platter backstop	\$19.00
2	102811	Case, UL	\$77.00
—	119832	Screw, self tap, M4x13, upper cover mount	\$2.00
3	102812	Lens	\$2.00
4	102813	Keyboard, membrane, contacts only	\$54.00
5	102815	Sheet, programming keyboard	\$24.00
6	102814	Keysheet, operation insert	\$30.00
7	102816	Sheet, clear, with adhesive	\$19.00
8	Consult	Nameplate specification	Consult
9	102817	PWB, PS-037, tactile keyboard	\$54.00
10	102818	Harness, S3, tactile keyboard	\$54.00
11	44406	Rubber, platter support	\$4.00
12	66402	Rubber, platter support, solid	\$5.00
13	44410	Platter support	\$32.25
14	44414	Load cell, C2G1-25K-S18-25kg-350	\$277.00
—	91729	Load cell, for RL S/S remote base	\$235.00
—	85826	RSB3000 load cell	\$369.00
15	66379	Bracket, load cell	\$36.00
16	110802	PWB, PS-229A, A/D board	\$238.00
—	114043	PWB, PS-229A, A/D board, with ground wire, for remote base	\$244.00
—	91895	Remote base A/D harness, internal, for RL S/S	\$35.00
—	85830	Remote base A/D harness, internal, for RSB-3000	\$79.00
17	102819	PWB, PS-990, Main CPU board, 2M	\$725.00
—	109653	PWB, PS-990, Main CPU board, 4M	\$843.00
—	109126	Battery	\$4.00
18	66353	Accessory, support, post	\$2.00
19	102820	Accessory, support, main	\$2.00
20	80969	Harness, C4, power, includes receptacle	\$10.00
21	66398	Switch	\$13.00
22	80991	Power cord	\$21.00
23	66403	Power GND cord, with ferrite filter	\$10.00
24	102821	Case, connector, UL	\$19.00
25	102822	Bar, Hex, M	\$8.00
26	Consult	Bar, Hex, MF	\$1.25
27	107707	Power supply, LFS150-SR4.0	\$252.00
—	77889	Fuse, power supply, 250V, 5A, 5x20	\$2.00
28	66396	Harness, C3, power, in from switch	\$9.75
29	47073	Harness, S2, power, out to CPU	\$34.00
30	104167	Base	\$83.00
31	79432	Foot, level	\$12.00
32	66383	Hinge	\$3.00
33	104168	Cover, side, UL	\$15.00
34	66382	Sticker, label roll loading	\$4.00
35	104169	Cover, front, UL	\$8.00
—	42719	Screw, M4x8, front cover mount	\$2.00
36	104170	Harness, TCP/IP, UL	\$26.25
—	101393	Jumper, RJ45, for wireless (connect to CB3000)	\$11.00
37	104171	Bracket module	\$5.00
38	104172	Resistor assembly	\$30.00
39	104255	Sheet display, operator side, BC-4000L2, dual range	\$19.00
—	104296	Sheet display, operator side, BC-4000L2i	\$15.75
40	104174	Display case, front UL	\$11.50
41	104175	Cap, screw cover	\$2.00
42	104250	Push rivet	\$1.50
43	104251	Display, LCD dot	\$293.00

(Diagram BC-4000L2-A)

Discontinued Scales

Parts not listed are no longer available. Some parts listed may not be available.

An ISO 9001 registered company ©2025 Rice Lake Weighing Systems Prices and specifications subject to change without notice. Visit ricelake.com for current prices.

# BC-4000L2

Pole Assembly

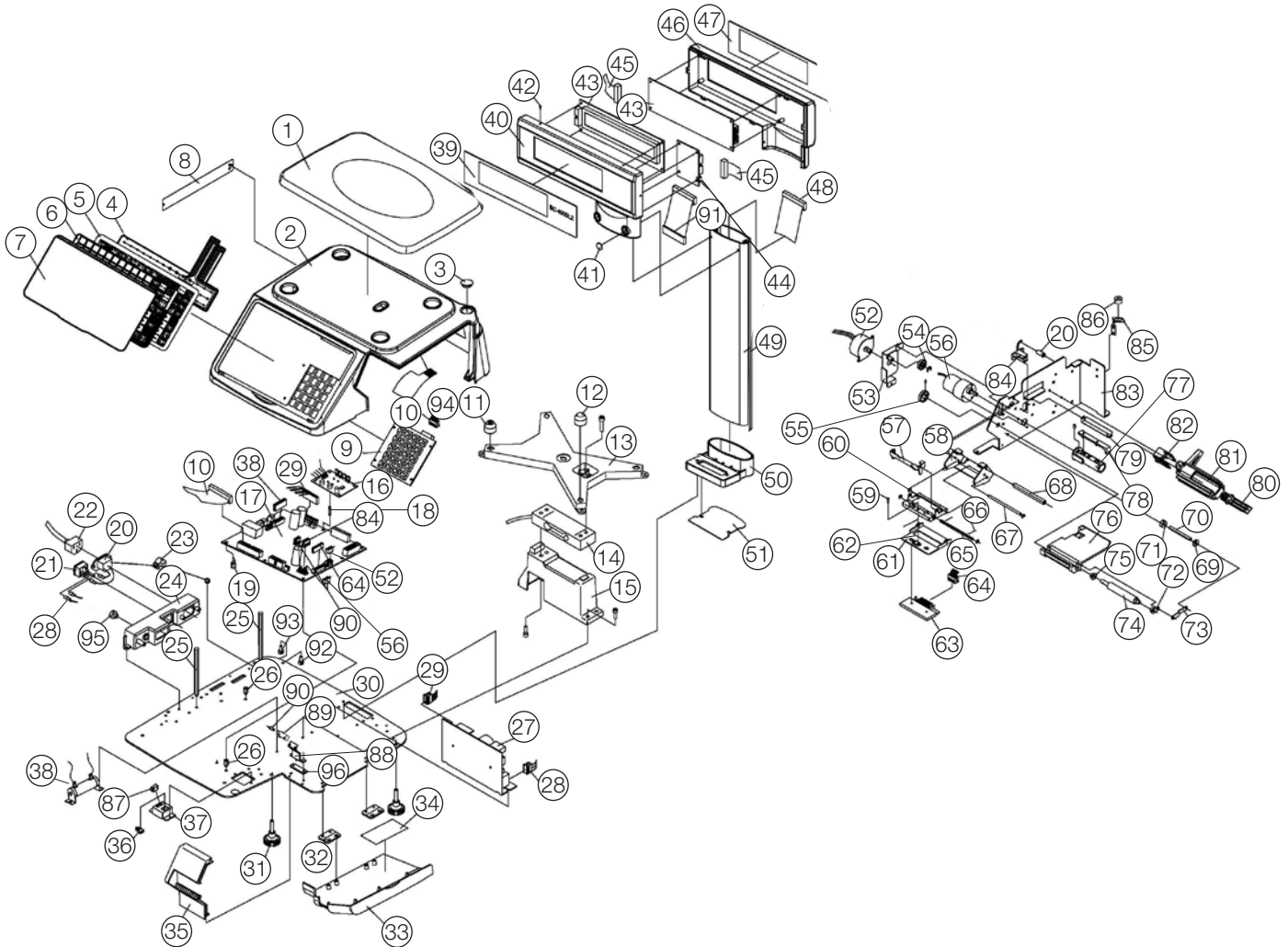


Diagram BC-4000L2-A

Discontinued Scales

Parts not listed are no longer available. Some parts listed may not be available.

An ISO 9001 registered company © 2025 Rice Lake Weighing Systems Prices and specifications subject to change without notice. Visit [ricelake.com](http://ricelake.com) for current prices.

# BC-4000L2

Pole Assembly



## Part Number/Price

Ref#	Part#	Description	Price
44	104252	PWB, PS-986, LCD display control board	\$252.00
45	104253	Harness, S2 LCD display, operator	\$8.00
46	104254	Display case, rear UL	\$11.50
47	104173	Sheet display, customer side, BC-4000L2, dual range	\$19.00
	104297	Sheet display, customer side, BC-4000L2i	\$15.75
48	104256	Harness, C3 display	\$33.00
49	104257	Pole	\$58.00
50	104258	Base pole	\$27.00
51	104260	Pole base cover	\$5.00
52	66357	Motor stepping, print roller drive	\$61.00
53	66358	Bracket motor	\$17.00
54	66359	Gear spur, dual	\$2.00
55	66360	Gear spur, single	\$2.00
56	110971	Motor, label paper rewind	\$77.00
57	66362	Bracket push	\$6.00
58	66363	Frame head	\$12.00
59	45145	Step screw pan	\$6.00
60	66364	Bracket lock	\$12.00
61	66365	Bracket head	\$20.00
62	45203	Spring coil	\$2.00
63	119169	Thermal head, BHE4256SU / CHX56-8359, 1100 ohm	\$252.00
—	100747	Tear bar, for continuous label	\$18.00
—	116073	Screw, button head, M3x4, thermal head mount	\$2.00
64	104267	Harness, S2 thermal head	\$19.00
65	45222	Shaft	\$93.00
66	45206	Tension spring	\$3.00
67	45221	Shaft	\$5.00
—	46986	E-clip, stainless steel, M3 shaft, 5 mm ID, 9.5 mm OD 400-000-0969-00	\$2.00
68	45188	Screw bow	\$21.00
69	45201	Guide label	\$11.00
70	45223	Screw bow	\$6.00
71	66367	Guide label	\$4.00
72	66368	Bush right	\$2.00
73	80954	Bracket support	\$3.00
74	108192	Roller rubber	\$25.50
75	66370	Bush left	\$2.00
76	66371	Table label	\$23.50
77/78	105437	Label take-up kit, reel and lever (without screws)	\$7.00
—	42714	Screw, M4x8, pan head tap	\$3.00
—	66375	Screw, M3x6, set	\$2.00
79	66374	Label press	\$9.00
80	66376	Lever, guide label	\$4.00
81	66377	Holder label	\$10.00
82	66378	Holder, guide label	\$4.00
83	66352	Frame printer	\$29.75
84	66354	Label sensor assembly	\$36.00
85	104261	Level support	\$2.00
86	44425	Level Unit	\$50.00
87	104262	Connector, EL-3H (unused)	\$3.00
88	104263	Bracket, peel sensor	\$3.00
89	80953	Peel sensor	\$51.00
—	119831	Screw, M3x16, sensor mount	\$2.00
90	104264	Harness, peel sensor	\$3.00
91	104265	Harness, C3 display	\$33.00
92	45128	Seal, screw M4	\$12.00
93	66394	Screw seal	\$5.00
95	44474	Plastic screw M8	\$3.00
96	Consult	Spacer, bracket, peel sensor	\$1.00

(Diagram BC-4000L2-A)

Parts not listed are no longer available. Some parts listed may not be available.

An ISO 9001 registered company ©2025 Rice Lake Weighing Systems Prices and specifications subject to change without notice. Visit ricelake.com for current prices.

# BC-4000L2

Pole Assembly

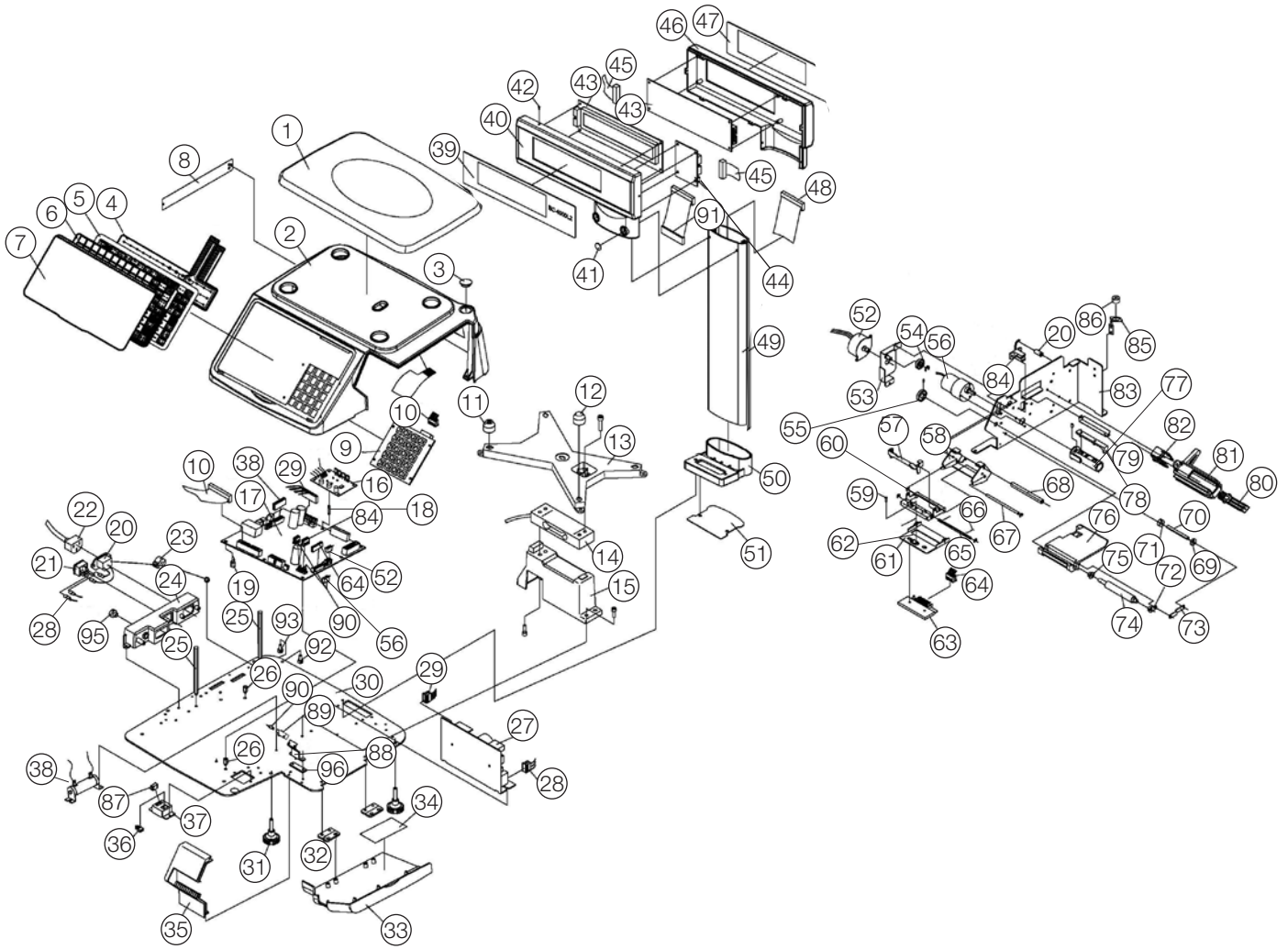


Diagram BC-4000L2-A

Parts not listed are no longer available. Some parts listed may not be available.

An ISO 9001 registered company ©2025 Rice Lake Weighing Systems Prices and specifications subject to change without notice. Visit [ricelake.com](http://ricelake.com) for current prices.

# BC-4000L2

Bench



## Part Number/Price

Ref#	Part#	Description	Synonym	Price
1	83777	Platter	900-4387-09	\$77.00
2	157873	Case	900-5170-01	\$77.00
3	66351	Sheet level bench	900-4240-05	\$3.00
4	66347	Membrane overlay contacts	900-0467-09	\$41.50
5	66349	Operation overlay customer	900-4311-06	\$28.00
6	66348	Edit keyboard programming	900-4264-04	\$22.00
7	66350	Cover overlay transparent	900-0446-01	\$9.00
9	157875	Panel display BC-4000	900-5175-00	\$19.00
10	100426	PWB PS-041 key	900-4256-04	\$4.50
11	104251	Display LCD dot	900-4325-08	\$293.00
12	104262	Connector	900-0997-06	\$3.00
13	44406	Rubber plate support pin	900-0016-30	\$4.00
14	66402	Rubber plate support solid	900-0239-15	\$5.00
15	44410	Plate support spider	900-3227-11	\$32.25
16	80963	Load cell C2G1-25K-S18-25Kg-350	900-2490-02	\$159.00
17	66379	Bracket load cell	900-3226-09	\$36.00
18	110802	PWB PS-229A A/D	900-1377-83	\$238.00
19	115406	PWB PS-990 main 2M	900-8370-01	\$725.00
20	66353	Accessory support post	900-0968-08	\$2.00
21	102820	Accessory support main	900-0306-02	\$2.00
22	80969	Harness C4 power, includes receptacle	900-2842-37	\$10.00
23	66398	Switch	900-0305-09	\$13.00
24	80991	Power cord	900-3335-11	\$21.00
25	66403	Power GND cord w/ferrite filter	900-0493-15	\$10.00
26	44474	Plastic screw M8	900-0747-01	\$3.00
27	102821	Case connector	900-4283-05	\$19.00
28	102822	Bar hex M	900-3219-11	\$8.00
29	Consult	Bar hex Mf	900-0496-34	Consult
30	45128	Seal screw M4	900-0227-01	\$12.00
31	66394	Screw seal	900-0486-00	\$5.00
32	107707	Power supply CWS 100-24	089-5503-03	\$252.00
33	66396	Harness C3 power, in from switch	900-2841-06	\$9.75
34	47073	Harness S2 power, out to CPU	900-0286-11	\$34.00
35	104167	Base	900-2843-40	\$83.00
36	79432	Foot level	900-0025-15	\$12.00
37	66383	Hinge	900-4296-03	\$3.00
38	104168	Cover side	900-4287-00	\$15.00
39	104169	Cover front	900-4288-03	\$8.00
40	66382	Sticker label roll loading	900-3617-01	\$4.00
41	104170	Harness TCP IP	900-5242-06	\$26.25
42	104171	Bracket module	900-3221-10	\$5.00
43	44425	Level Unit	900-5727-05	\$50.00
44	Consult	Display harness	900-1075-33	\$29.25
45	Consult	Harness LCD1 380 mm	900-3632-17	\$6.25
46	Consult	Bracket display front	900-0103-12	\$10.00
47	Consult	Bracket display rear	900-0104-34	\$10.00
49	104263	Bracket peel sensor	900-1057-18	\$3.00
50	80953	Peel sensor	089-3444-00	\$51.00
51	104264	Harness peel sensor	900-1348-02	\$3.00
52	66357	Motor stepping	900-0851-06	\$61.00

(Diagram BC-4000L2)

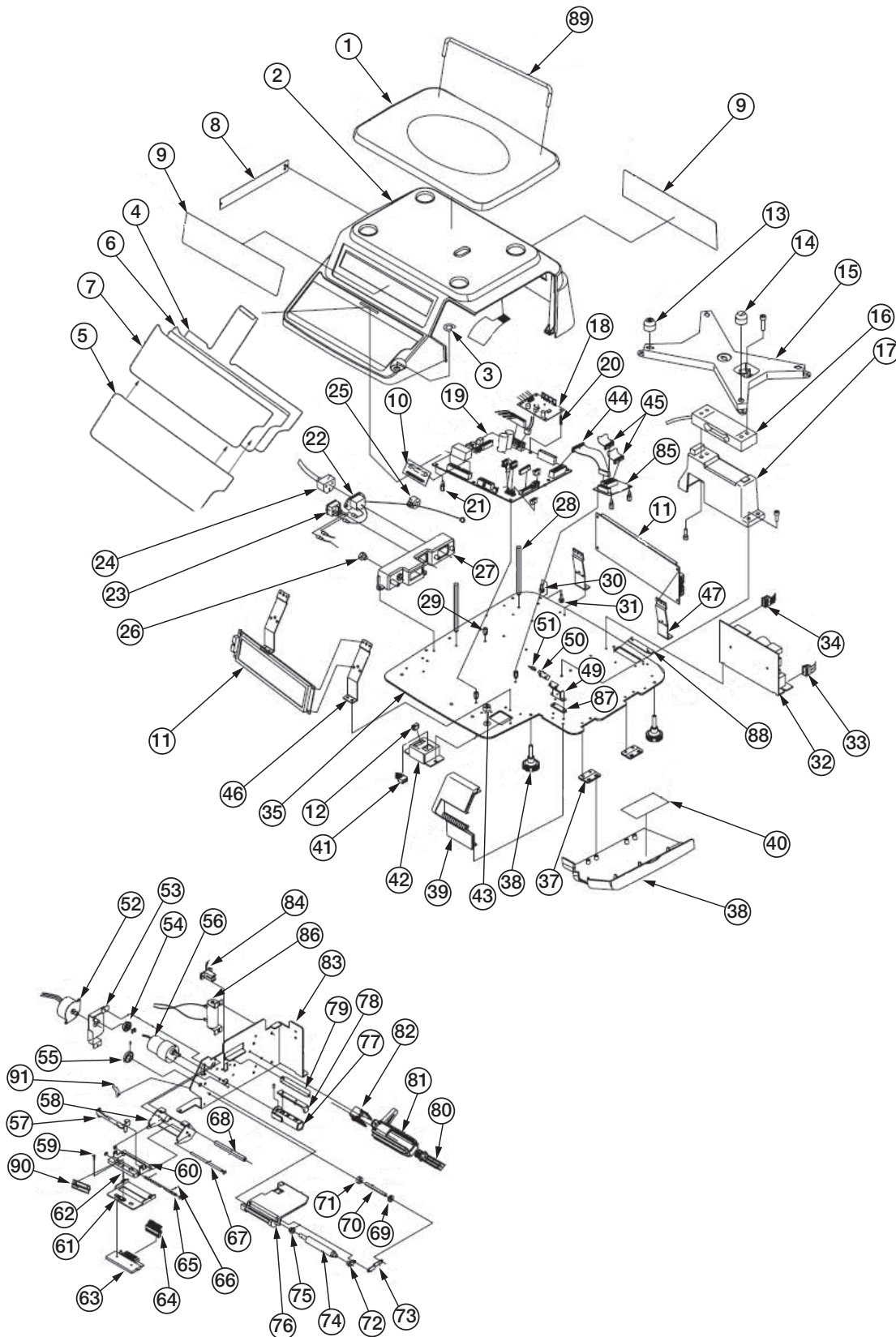
Discontinued Scales

Parts not listed are no longer available. Some parts listed may not be available.

An ISO 9001 registered company ©2025 Rice Lake Weighing Systems Prices and specifications subject to change without notice. Visit ricelake.com for current prices.

# BC-4000L2

Bench



BC-4000L2

Parts not listed are no longer available. Some parts listed may not be available.

An ISO 9001 registered company © 2025 Rice Lake Weighing Systems Prices and specifications subject to change without notice. Visit [ricelake.com](http://ricelake.com) for current prices.

# BC-4000L2

Bench



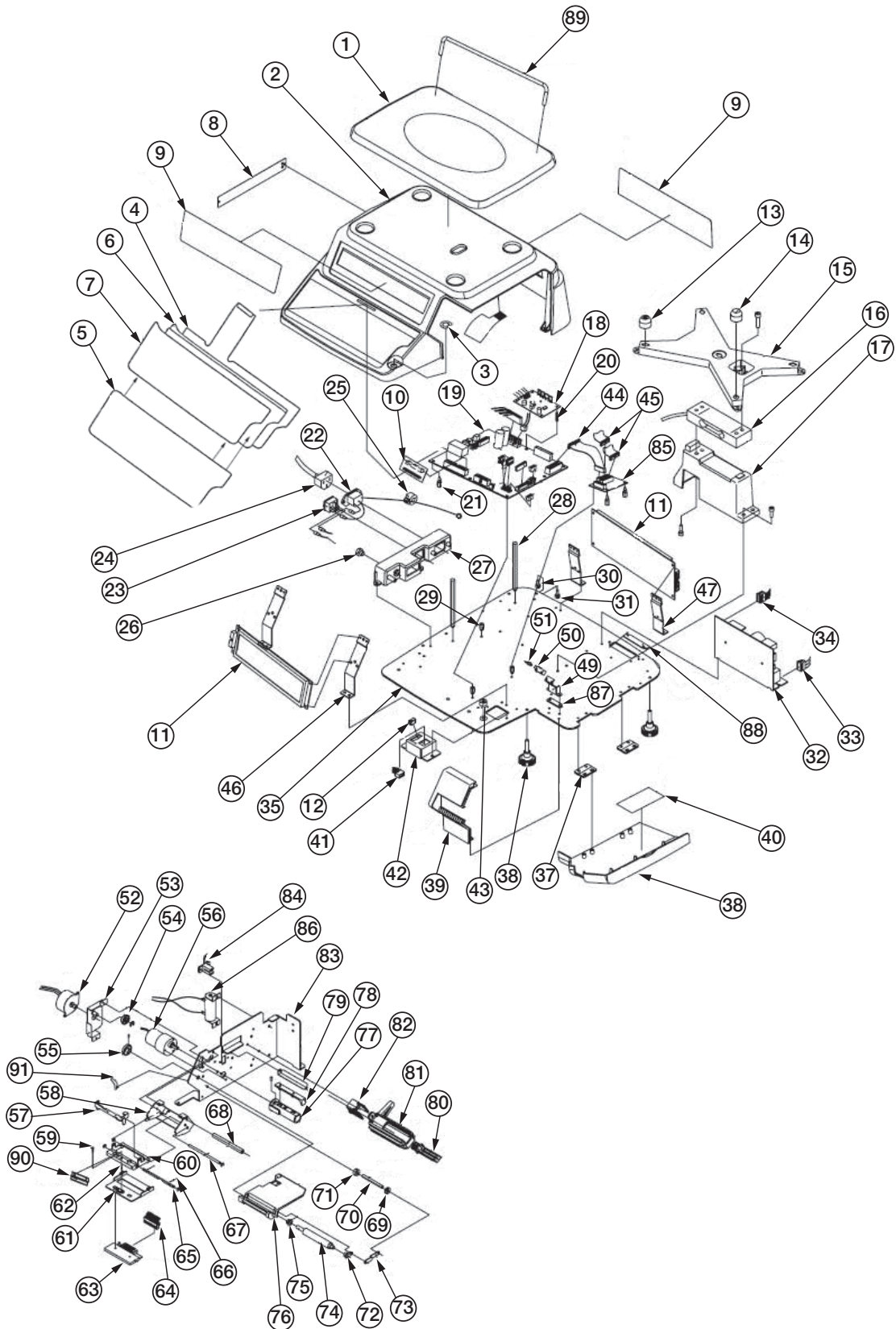
## Part Number/Price

Ref#	Part#	Description	Synonym	Price
53	66358	Bracket motor	900-0898-01	\$17.00
54	66359	Gear spur dual	900-1065-09	\$2.00
55	66360	Gear spur single	900-1020-01	\$2.00
56	110971	Motor assembly geared	900-0837-03	\$77.00
57	66362	Bracket push	900-0886-15	\$6.00
58	66363	Frame head	900-0889-07	\$12.00
59	45145	Step screw pan	036-0942-00	\$6.00
60	Consult	Bracket lock	900-2882-27	\$10.00
61	66365	Bracket head	900-2883-11	\$20.00
62	45203	Spring coil 1	900-0848-04	\$2.00
63	119169	Thermal Head BHE4256SU / CHX56-8359, 1100 ohm	900-2831-18	\$252.00
64	104267	Harness S2 thermal head	900-2840-21	\$19.00
65	45222	Shaft 2	900-0845-03	\$93.00
66	45206	Tension spring	900-0849-08	\$3.00
67	45221	Shaft1	900-0844-19	\$5.00
—	46986	E-clip, stainless steel, M3 shaft, 5 mm ID, 9.5 mm OD	400-000-0969-00	\$2.00
68	45188	Screw shaft	900-0846-07	\$21.00
69	45201	Guide label	900-0897-07	\$11.00
70	45223	Screw shaft 2	900-0847-01	\$6.00
71	66367	Guide label	900-0896-03	\$4.00
72	66368	Bush right	900-0893-02	\$2.00
73	Consult	Bracket support	900-0850-21	\$5.00
74	108192	Roller rubber	089-4667-07	\$25.50
75	66370	Bush left	900-0894-06	\$2.00
76	66371	Table label	900-1068-00	\$23.50
77/78	105437	Label take-up kit, reel and lever screws)	900-1702-26	\$7.00
—	42714	Screw, M4x8, pan head tap		\$3.00
—	66375	Screw, M3x6, set		\$2.00
79	66374	Holder label	900-0884-09	\$9.00
80	66376	Lever guide label	900-0895-00	\$4.00
81	66377	Holder label	900-1162-16	\$10.00
82	66378	Holder guide label	900-1163-10	\$4.00
83	66352	Frame printer	900-1741-12	\$29.75
84	104832	Label gap sensor assembly	900-5225-02	\$34.00
85	104252	PWB PS-986 LCD CTL	900-2861-01	\$252.00
86	104172	Resistor assembly	900-2839-08	\$30.00
87	Consult	Base peel sensor	900-5183-00	\$1.00
88	Consult	Cover base bench	900-5182-06	\$1.00
89	83781	Platter backstop	900-4386-05	\$19.00
90	100747	Tear bar	900-6722-01	\$18.00
91	Consult	Bracket (printer side)	900-6302-00	\$1.50

(Diagram BC-4000L2)

# BC-4000L2

Bench



BC-4000L2

Parts not listed are no longer available. Some parts listed may not be available.

An ISO 9001 registered company © 2025 Rice Lake Weighing Systems Prices and specifications subject to change without notice. Visit [ricelake.com](http://ricelake.com) for current prices.

# BC-4000S

Pole Assembly



## Part Number/Price

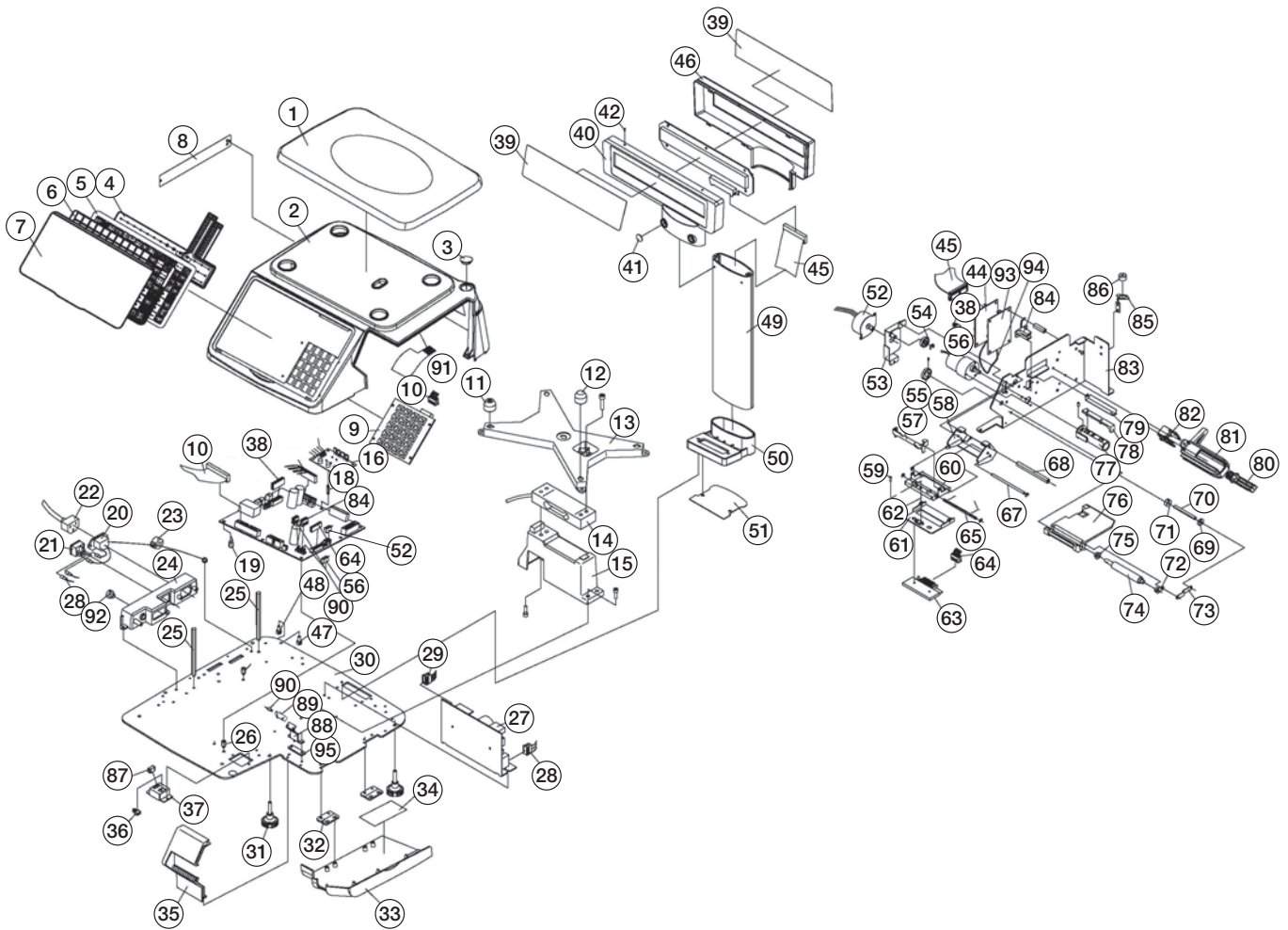
Ref#	Part#	Description	Price
1	83777	Platter	\$77.00
—	83781	Platter, backstop	\$19.00
2	102811	Case, UL	\$77.00
—	119832	Screw, self tap, M4x13, upper cover mount	\$2.00
3	102812	Lens	\$2.00
4	102813	Keyboard, membrane, contacts only	\$54.00
5	102815	Sheet, programming keyboard	\$24.00
6	102814	Keysheet, operation insert	\$30.00
7	102816	Sheet, clear, with adhesive	\$19.00
8	Consult	Nameplate specification	Consult
9	102817	PWB, PS-037, tactile keyboard	\$54.00
10	102818	Harness, S3, tactile keyboard	\$54.00
11	44406	Rubber, platter support	\$4.00
12	66402	Rubber, platter support solid	\$5.00
13	44410	Platter support	\$32.25
14	44414	Load cell, C2G1-25KS18-25kg-350	\$277.00
15	66379	Bracket load cell	\$36.00
16	110802	PWB, PS-229A, A/D board	\$238.00
—	109126	Battery	\$4.00
18	66353	Accessory, support post	\$2.00
19	102820	Accessory, support main	\$2.00
20	80969	Harness, C4 power, includes receptacle	\$10.00
21	66398	Switch	\$13.00
22	80991	Power cord	\$21.00
23	66403	Power GND cord, with ferrite filter	\$10.00
24	102821	Case, connector UL	\$19.00
25	102822	Bar, hex M	\$8.00
26	Consult	Bar, hex MF	\$1.00
27	107707	Power supply, LFS150-SR4.0	\$252.00
—	77889	Fuse, power supply, fuse 250V, 5A, 5x20	\$2.00
28	66396	Harness, C3 power, in from switch	\$9.75
29	47073	Harness S2 power, out to CPU	\$34.00
30	104167	Base	\$83.00
31	44423	Foot level	\$6.00
32	66383	Hinge	\$3.00
33	104168	Cover, side UL	\$15.00
34	66382	Sticker, label roll loading	\$4.00
35	104169	Cover front UL	\$8.00
—	42719	Screw, M4x8, front cover mount	\$2.00
36	104170	Harness, TCP/IP UL	\$26.25
—	101393	Jumper, RJ45, for wireless (connect to CB3000)	\$11.00
37	104171	Bracket module	\$5.00
38	104268	Harness, S2 display	\$7.00
39	104276	Display panel, BC4000S	\$15.00
40	104270	Display case front UL	\$14.00
41	104175	Cap, screw cover	\$2.00
42	104250	Push rivet	\$1.50
44	104272	PWB, PS-038, display driver board	\$87.00
45	104273	Harness, S2 display	\$14.00
46	104274	Display case, rear UL	\$14.00
47	45128	Seal, screw M4	\$12.00
48	66394	Screw seal	\$5.00
49	104257	Pole	\$58.00

(Diagram BC-4000S-A)

Discontinued Scales

# BC-4000S

Pole Assembly



BC-4000S-A

Parts not listed are no longer available. Some parts listed may not be available.

An ISO 9001 registered company © 2025 Rice Lake Weighing Systems Prices and specifications subject to change without notice. Visit [ricelake.com](http://ricelake.com) for current prices.

# BC-4000S

Pole Assembly



## Part Number/Price

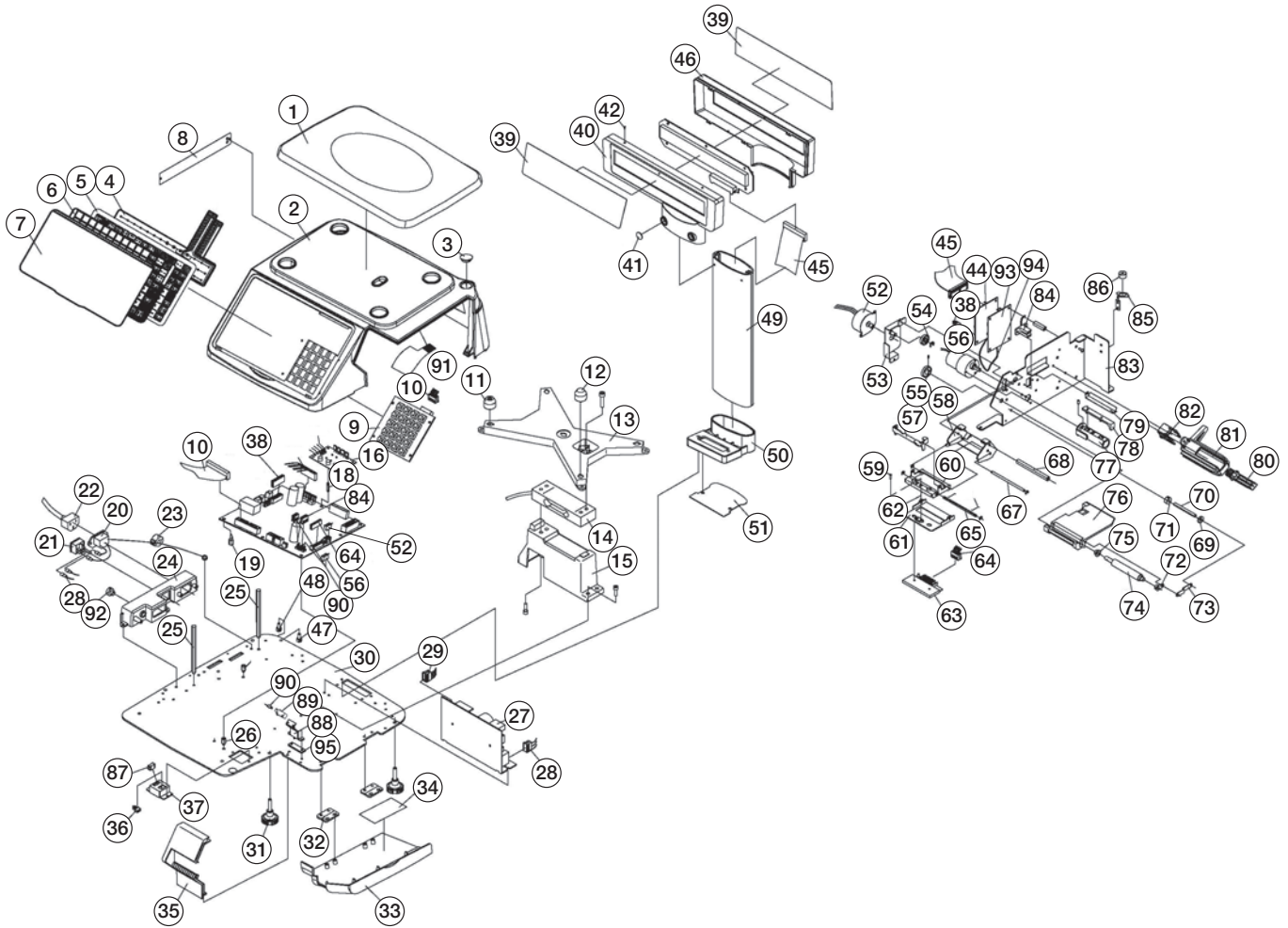
Ref#	Part#	Description	Price
50	104258	Base pole	\$27.00
51	104260	Pole base cover	\$5.00
52	66357	Motor stepping, print roller drive	\$61.00
53	66358	Bracket motor	\$17.00
54	66359	Gear spur, dual	\$2.00
55	66360	Gear spur, single	\$2.00
56	110971	Motor, label paper rewind	\$77.00
57	66362	Bracket push	\$6.00
58	66363	Frame head	\$12.00
59	45145	Step screw pan	\$6.00
60	66364	Bracket lock	\$12.00
61	66365	Bracket head	\$20.00
62	45203	Spring coil	\$2.00
63	119169	Thermal head, BHE4256SU / CHX56-8359, 1100 ohm	\$252.00
—	100747	Tear bar, for continuous label	\$18.00
—	116073	Screw, button head, M3x4, thermal head mount	\$2.00
64	104267	Harness, S2 thermal head	\$19.00
65	45222	Shaft	\$93.00
66	45206	Tension spring	\$3.00
67	45211	Shaft	\$3.00
68	45188	Screw bow	\$21.00
69	45201	Guide label	\$11.00
70	45223	Screw bow	\$6.00
71	66367	Guide label	\$4.00
72	66368	Bush right	\$2.00
73	80954	Bracket support	\$3.00
74	108192	Roller rubber	\$25.50
75	66370	Bush left	\$2.00
76	66371	Table label	\$23.50
77/78	105437	Label take-up kit, reel and lever (without screws)	\$7.00
—	42714	Screw, M4x8, pan head tap	\$3.00
—	66375	Screw, M3x6, set	\$2.00
79	66374	Label press	\$9.00
80	66376	Lever, guide label	\$4.00
81	66377	Holder, label	\$10.00
82	66378	Holder, guide label	\$4.00
83	66352	Frame printer	\$29.75
84	66354	Label sensor assembly	\$36.00
85	104261	Level support	\$2.00
86	44425	Level Unit	\$50.00
87	104262	Connector, EL-3H	\$3.00
88	104263	Bracket, peel sensor	\$3.00
89	80953	Peel sensor	\$51.00
—	119831	Screw, M3x16, sensor mount	\$2.00
90	104264	Harness, peel sensor	\$3.00
92	44474	Plastic screw M8	\$3.00
93	104278	PWB, PS-015, DC/DC board	\$60.00
94	104279	Harness, S2, DC/DC board	\$11.00
95	Consult	Spacer, bracket, peel sensor	Consult

(Diagram BC-4000S-A)

Discontinued Scales

# BC-4000S

Pole Assembly



BC-4000S-A

Parts not listed are no longer available. Some parts listed may not be available.

An ISO 9001 registered company © 2025 Rice Lake Weighing Systems Prices and specifications subject to change without notice. Visit [ricelake.com](http://ricelake.com) for current prices.

# SR-2000a

Main Unit



## Part Number/Price

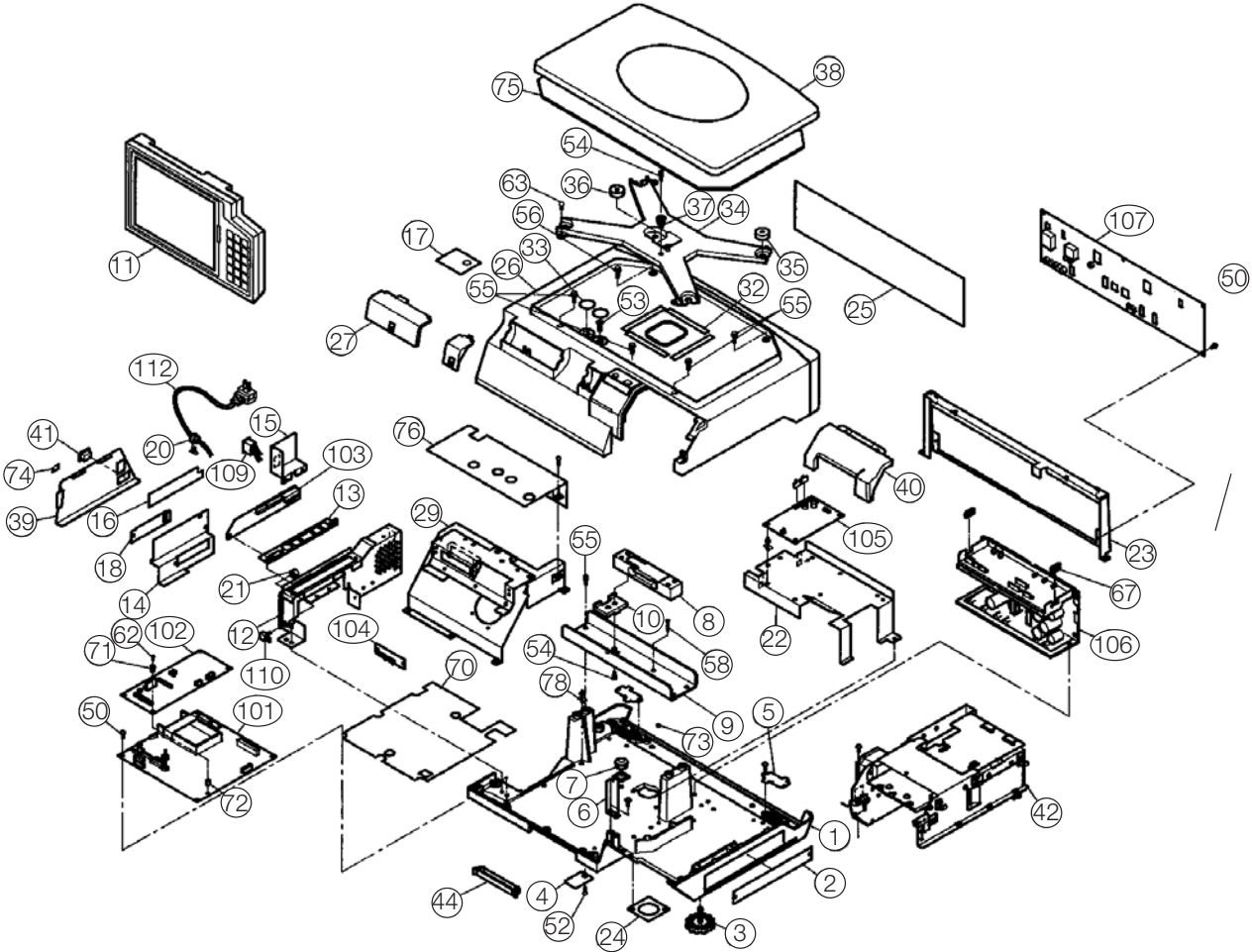
Ref#	Part#	Description	Price
1	Consult	Base main 101-7759-00	\$212.25
2	Consult	Nameplate specification 103-4406-18	\$3.25
3	96319	Leg leveling adjust 104-9846-00	\$6.00
4	Consult	Plate A 101-7676-13	\$2.25
5	Consult	Plate B, SQ, 66-4073-05	\$2.25
6	Consult	Bracket level 101-0750-11	\$4.25
7	44425	Level Unit 89-0914-11	\$50.00
8	87515	Load cell, C2G125KS15 107-4050-06	\$353.00
9	Consult	U Plate B, LC, 101-0629-21	\$27.25
10	Consult	Spacer, LC, 101-0630-17	\$9.50
11	Consult	Controller Unit assembly, 106-1470-09	\$1,128.50
12	Consult	Bracket AS, Connector 103-8162-14	\$24.00
13	Consult	Bracket AS, Connector, PWB 102-1011-03	\$5.25
14	96320	Cover Plate B, Connector 102-1012-25	\$9.00
15	Consult	Bracket, SW, Power 102-1014-22	\$5.25
16	Consult	Nameplate, Explanation 102-1006-04	\$9.50
17	Consult	Nameplate, Operation 103-4395-01	\$6.25
18	96321	Plate B, PC 102-1013-10	\$5.00
20	42718	Accessory, bush, cable 03-1160-09	\$4.00
21	Consult	Knob round 65-1828-01	\$4.25
22	Consult	Bracket, PWB, AD 102-1015-17	\$10.50
23	Consult	Bracket display 103-8039-19	\$14.75
24	Consult	Plate B speaker 103-4451-16	\$3.25
25	101002	Panel display, lb 103-4394-08	\$81.25
26	Consult	Cover AS main upper 101-0699-13	\$112.50
27	96323	Cap, main, L 101-0700-14	\$8.00
—	Consult	Screw, tapping, cross pan head, 072-8768-04	\$1.25
—	Consult	Nut, speed, v-type, 072-8773-03	\$1.25
29	Consult	Bracket, AS, controller 101-0756-31	\$28.25
32	Consult	Tape, single side, adhesive 66-7934-11	\$2.25
33	91178	Seal, void decal 40-9585-01	\$11.00
—	101374	Seal bolt kit	\$6.00
34	Consult	Support platter 101-0628-19	\$30.25
35	45167	Supporter rubber 00-6142-08	\$6.00
36	45168	Rubber pad 01-4849-07	\$3.00
37	Consult	Spring, coil, compressive 103-8071-00	\$11.50
38	96325	Weigh platter 101-0632-14	\$81.25
39	96326	Cover, connector 103-4448-32	\$12.50
—	103172	Bottom SS plate cover kit	\$11.00
40	96327	Cover, printer 63-8266-19	\$10.00
41	96328	Catch, fastener 62-4132-02	\$6.25
44	Consult	Cover, filter, fan 101-7738-11	\$5.25
47	Consult	PWB accessory, card spacer 43-1633-00	\$5.25
49	47008	TP screw M4x8 chromate 00-0439-01	\$3.00
50	48239	TP screw M3x6	\$2.00
52	Consult	Screw, cross flat 02-1915-06	\$1.25
53	Consult	Screw, cross flat 00-0219-09	\$1.25
54	Consult	Hex socket bolt 00-7215-00	\$2.25
55	Consult	Hex socket bolt 02-2745-03	\$2.25
57	47343	Hex bolt, with SW and PW S2P2 04-6309-01	\$2.00
58	Consult	Hex bolt 17-3999-01	\$1.25
60	Consult	Tapping screw, css pan head 72-8768-04	\$1.25

(Diagram SR-2000a-A)

Discontinued Scales

# SR-2000a

Main Unit



SR-2000a-A

Parts not listed are no longer available. Some parts listed may not be available.

An ISO 9001 registered company © 2025 Rice Lake Weighing Systems Prices and specifications subject to change without notice. Visit [ricelake.com](http://ricelake.com) for current prices.

# SR-2000a

Main Unit



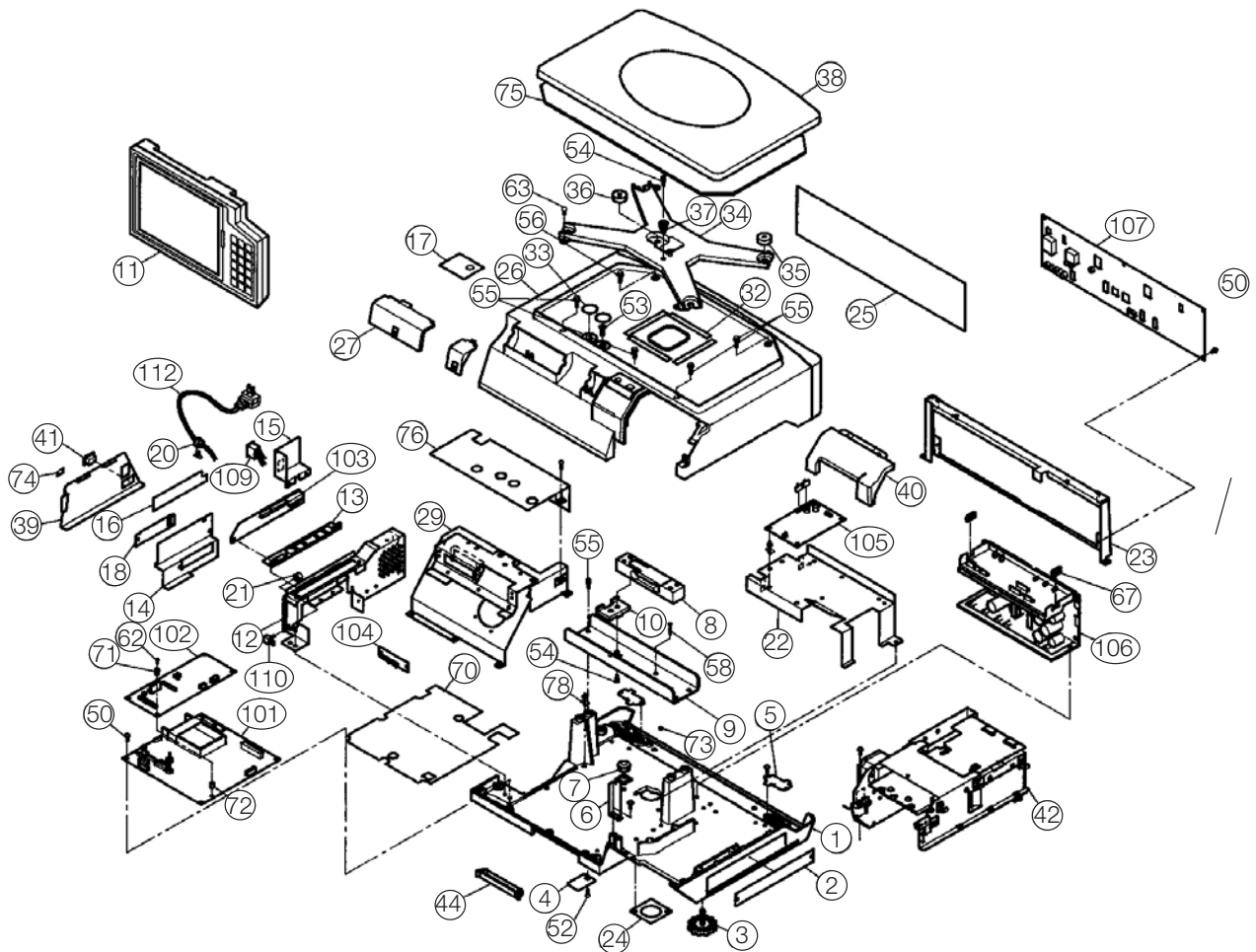
## Part Number/Price

Ref#	Part#	Description	Price
61	Consult	Cross head, hex bolt with SW and PW 78-0612-01	\$1.25
63	Consult	Screw, cross pan head with glue 66-7811-08	\$1.25
64	Consult	Accessory, clamp code sticker 02-5711-08	\$1.25
65	Consult	Accessory, clamp code sticker 00-5450-01	\$1.25
66	Consult	Accessory, clamp wire 22-7035-09	\$3.25
67	Consult	Accessory, fastener edge saddle 64-0360-05	\$2.25
70	Consult	Sheet, block 105-5072-07	\$29.25
71	45170	PWB accessory, collar bush 00-1973-08	\$2.00
72	Consult	PWB accessory, collar bush 00-1845-04	\$1.25
73	Consult	Nameplate 97-8992-07	\$1.25
74	Consult	Nameplate, operation 106-1477-04	\$2.25
75	Consult	Sheet, cushion 106-1481-00	\$27.25
76	Consult	Cover, shield 106-1476-01	\$11.50
77	Consult	PWB accessory, card spacer 00-1803-08	\$1.25
78	Consult	PWB accessory, card spacer 106-1475-07	\$5.25
79	Consult	Accessory clamp, ckn clamp 00-1847-01	\$2.25
82	Consult	Accessory clamp, ckn clamp 07-5412-01	\$2.25
101	87516	PWB P-910H CPU Board, Rev H5/H4, 5V PCMCIA for LA-4121 RF card (106-7026-00)	\$1,227.00
	98804	PWB P-910H CPU Board, Rev H6, 3.3V PCMCIA for LA-4137 RF card (113-840-03)	\$1,490.00
	106629	PWB P-910R, CPU board, Rev 6, 3.3v PCMCIA, s/n 8030967 or later, C1514J or higher (119-3866-08)	\$1,507.00
102	87517	PWB P-909D thermal board/piggy back on main board	\$240.00
103	87518	PWB P-989A connector junction board 103-8373-13	\$109.25
104	87519	PWB P-985 display harness junction board 102-3034-06	\$50.00
105	87520	PWB P-888C A/D board 66-4359-46	\$203.00
	114044	PWB P-888C A/D board, with ground wire for remote base	\$225.00
106	87521	Power supply, switching 106-1434-04	\$346.00
107	87522	Display, fluorescent, dot matrix 98-4170-05	\$912.00
109	87523	Switch AS back light, power 106-1002-09	\$19.00
110	Consult	Potentiometer AS 94-0206-11	\$9.50
111	Consult	Harness C2, drawer 103-8171-18	\$3.25
113	Consult	Harness S2, power junction 63-8454-12	\$3.25
114	108563	Harness C6, EXT 107-8439-05	\$100.00
115	Consult	Harness S2, power 24V 106-1050-08	\$9.50
116	Consult	Harness C2, PS 106-1049-03	\$7.50
117	103732	Harness C4, LCD junction 103-8168-25	\$84.00
118	104103	Harness C4, key junction 103-8169-29	\$20.00
119	Consult	Harness C2, VFD 103-4478-16	\$10.50
120	Consult	Harness C3, scale 103-4477-21	\$5.25
121	Consult	Connector D sub accessory 74-0842-02	\$2.25
999	95563	RF card LA-4137, use with 98804 and 106629	\$271.00
999	91871	Adaptor for LA-4137, PCMCIA	\$31.00

(Diagram SR-2000a-A)

# SR-2000a

Main Unit



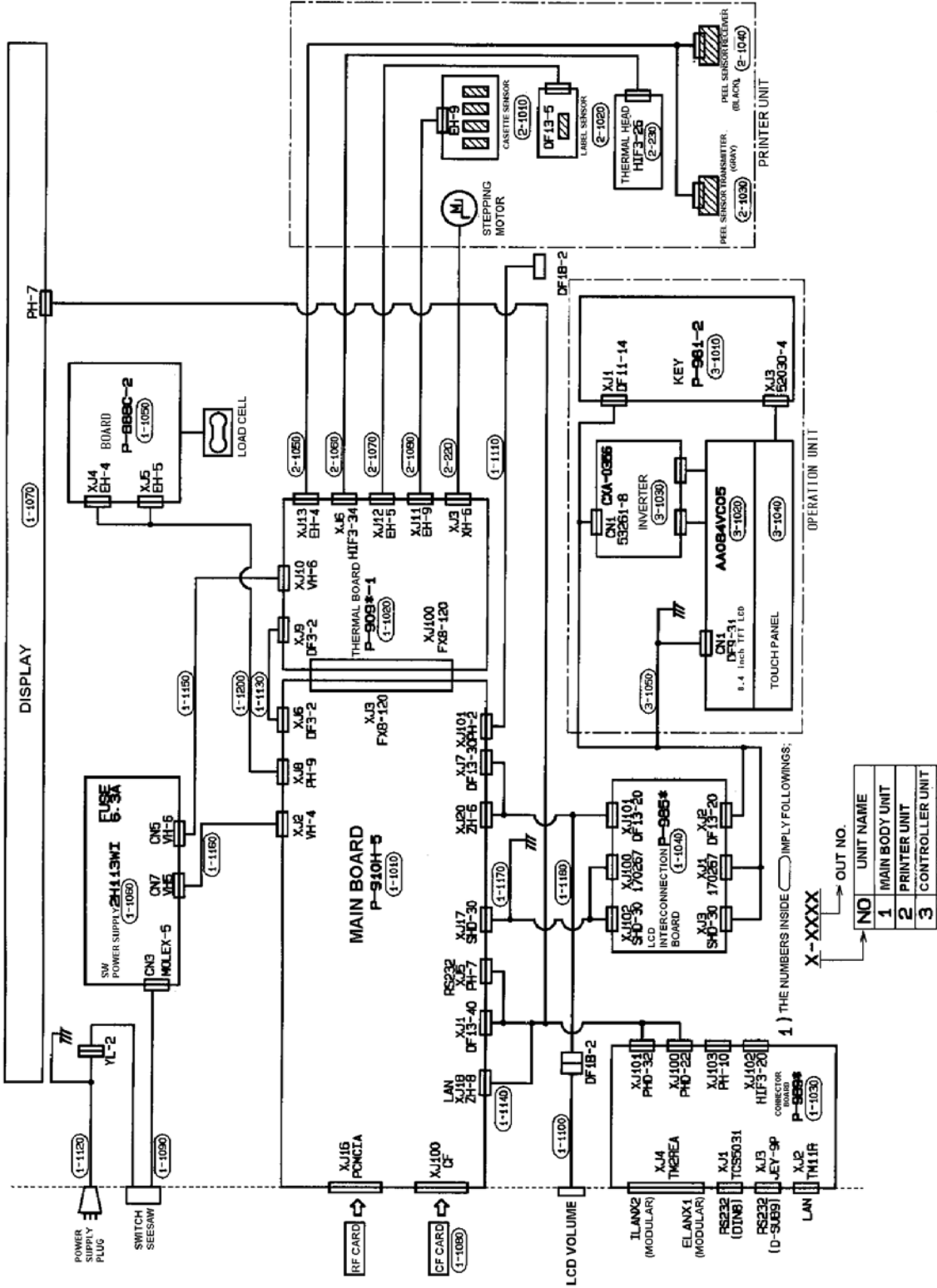
SR-2000a-A

Parts not listed are no longer available. Some parts listed may not be available.

An ISO 9001 registered company © 2025 Rice Lake Weighing Systems Prices and specifications subject to change without notice. Visit [ricelake.com](http://ricelake.com) for current prices.

# SR-2000a Main Unit

Discontinued Scales



SR-2000a-Wiring

Parts not listed are no longer available. Some parts listed may not be available.

An ISO 9001 registered company ©2025 Rice Lake Weighing Systems Prices and specifications subject to change without notice. Visit ricelake.com for current prices.

# SR-2000a Printer Unit



## Part Number/Price

Ref#	Part#	Description	Price
1	Consult	Frame, printer 66-1832-22	\$21.00
2	Consult	Frame, printer, upper 66-4262-21	\$6.25
3	Consult	Bracket, sensor, R 66-4257-03	\$2.25
4	Consult	Cover, harness 66-4256-00	\$4.25
5	Consult	Rail, printer, L 66-4363-05	\$4.25
6	Consult	Rail, printer, R 66-4362-01	\$4.25
7	Consult	Cover, harness, thermal 66-4255-15	\$6.25
8	Consult	Sheet, cover, harness 66-4252-05	\$9.50
9	Consult	Shaft, printer 64-0164-39	\$5.25
10	Consult	Bush 66-7780-06	\$3.25
11	Consult	Spring, coil 66-4251-01	\$6.25
12	Consult	Bracket, printer 75-5569-01	\$13.75
13	Consult	Plate A, SQ 66-4249-03	\$2.25
14	Consult	Press AS, label sensor 66-4258-16	\$21.00
15	96434	Bracket, head 66-4253-18	\$30.00
16	96435	Spring, coil, compressive 96-9830-03	\$3.00
17	96436	Spring, coil, compressive 96-9831-07	\$3.00
18	96437	Plate A, spring, support 66-4250-08	\$4.00
19	Consult	Stay, head, thermal 66-4261-09	\$3.25
20	47481	Stopper 00-9327-01	\$45.00
21	96367	Gear, flat 64-0171-26	\$7.00
22	87530	Motor AS, stepping 66-7781-00	\$89.00
23	87531	Printer, thermal print head 94-0086-01	\$253.00
24	Consult	Catch, roller 64-0344-05	\$2.25
25	115169	Collar, spacer 48-6074-02	\$2.00
26	46989	Collar, spacer 00-0391-07	\$2.00
27	48784	TP screw 10-0725-06	\$2.00
29	47008	TP screw M4x8 chromate 00-0439-01	\$3.00
30	42851	Screw, cross truss 00-0239-03	\$2.00
31	Consult	Screw, cross pan head, with glue 66-7811-08	\$1.25
32	47215	C ring, for shaft 36-0949-05	\$3.00
33	46986	E-ring 00-0287-02	\$2.00
34	Consult	Screw, cross, pan head, with SW 65-1827-08	\$1.25
35	Consult	Screw, cross, pan, head 02-1850-08	\$1.25
36	Consult	TP screw M3x6 00-0438-08	\$1.25
37	Consult	Screw, cross pan head 02-5338-01	\$1.25
38	Consult	Accessory, clamp, flat cable 64-0318-08	\$4.25
39	Consult	Accessory, clamp, flat cable 65-1823-03	\$8.50
40	Consult	Accessory, clamp, CKS clamp 01-3035-09	\$2.25
41	Consult	Accessory, clamp, CKN clamp 07-5412-01	\$2.25
42	Consult	Accessory, clamp, wire 22-7035-09	\$3.25
43	Consult	Gasket 65-1825-01	\$3.25
44	Consult	Tape, saxin single 66-4285-08	\$6.25
45	84066	Set screw, hex socket, , M4-0.7x4 stainless steel 00-0469-03	\$2.00
46	175486	Collar, spacer 05-0812-04	\$2.00
47	Consult	Tape, single side 66-7933-18	\$4.25
48	Consult	Tape, single side 66-7934-11	\$2.25
49	96440	Cover, head 75-5776-14	\$10.00
52	Consult	Catch, support 93-1681-04	\$26.25
53	Consult	Hex nut, T3 00-0272-07	\$1.25
101	87532	Sensor, cassette number 64-5586-08	\$46.00
102	87533	Photo interrupter, reflection label gap sensor 105-5249-09	\$43.00
103	87534	Photo interrupter, peel sensor, grey, left, trans 64-5587-01	\$12.00
104	87535	Photo interrupter, peel sensor, black, right, receive 66-4500-09	\$12.00
105	Consult	Harness, C3, peeling 63-8469-27	\$7.50
106	Consult	Harness, C2, thermal head 106-1048-00	\$74.00
107	Consult	Harness, C2, label 64-5606-27	\$11.50
108	Consult	Harness, S2, cassette 63-8453-19	\$9.50

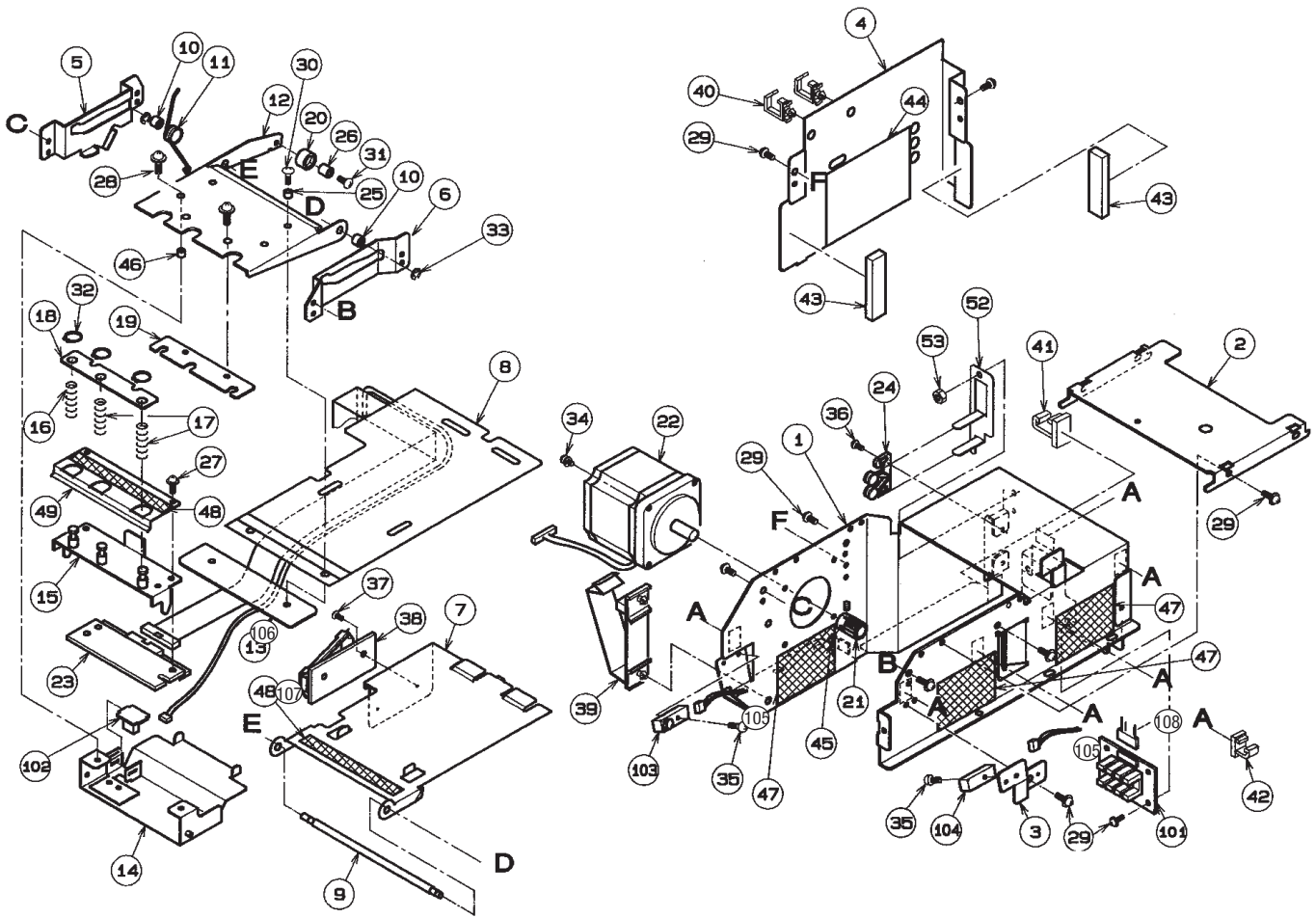
(Diagram SR-2000a-B)

Parts not listed are no longer available. Some parts listed may not be available.

An ISO 9001 registered company © 2025 Rice Lake Weighing Systems Prices and specifications subject to change without notice. Visit ricelake.com for current prices.

# SR-2000a

Printer Unit



SR-2000a-B

Discontinued Scales

# SR-2000a

Cassette Unit



## Part Number/Price

Ref#	Part#	Description	Price
1	Consult	Main body, printer cassette 63-8272-21	\$85.50
2	Consult	Cover, gear 63-8270-23	\$5.25
—	187367	apping screw, plus, M4x8 stainless steel 000-075-1405-09	\$2.00
3	175358	Holder, guide, label 63-8267-21	\$3.00
4	175359	Lever, guide, label 63-8414-22	\$3.00
5	Consult	Plate B, printing roller 64-0134-19	\$7.50
6	Consult	Frame, printing, L 64-0136-34	\$5.25
7	Consult	Plate assembly, peeling shaft 64-0062-23	\$10.50
8	93355	Bush, print roller 64-0201-24	\$5.00
9	93339	Roller, print 64-0202-37	\$25.00
10	93341	Gear, flat small 63-8269-29	\$4.00
11	93340	Gear, flat large 63-8268-25	\$3.00
12	100519	Guide label 63-8271-18	\$3.00
13	198410	Block B, prism 63-8261-20	\$4.00
14	Consult	Bracket, prism 63-8262-05	\$2.25
15	93342	Bush 64-0058-19	\$4.00
16	172635	Bearing, radial 00-3727-05	\$14.00
17	157780	Shaft, step, winding 64-0175-21	\$25.00
18	Consult	Spring pin 34-0034-03	Consult
19	101104	Bobbin, winding 64-0176-24	\$6.00
20	157781	Cover, winding 64-0174-27	\$3.00
21	101105	Holder, winding, stopper 64-0189-22	\$3.00
22	157782	Spring, coil, compressive 64-0192-06	\$3.00
23	116740	Torque limiter, (Includes flat gear medium) 65-1663-04	\$46.00
24	182045	Cassette decal "1" 65-1664-26	\$12.00
—	93235	Cassette decals "2-7" 65-1755-21	\$5.00
25	46986	E-ring, 3 mm 00-0287-02	\$2.00
26	46984	E-ring, 4 mm 00-0288-06	\$2.00
27	46977	E-ring, 6 mm 00-0296-04	\$2.00
29	200526	Tapping screw, cross bind M4x10 stainless steel 65-1665-01	\$2.00
30	Consult	Nameplate, label threading 66-1810-02	\$3.25
ASSY	87514	Label cassette, complete assembly	\$243.00

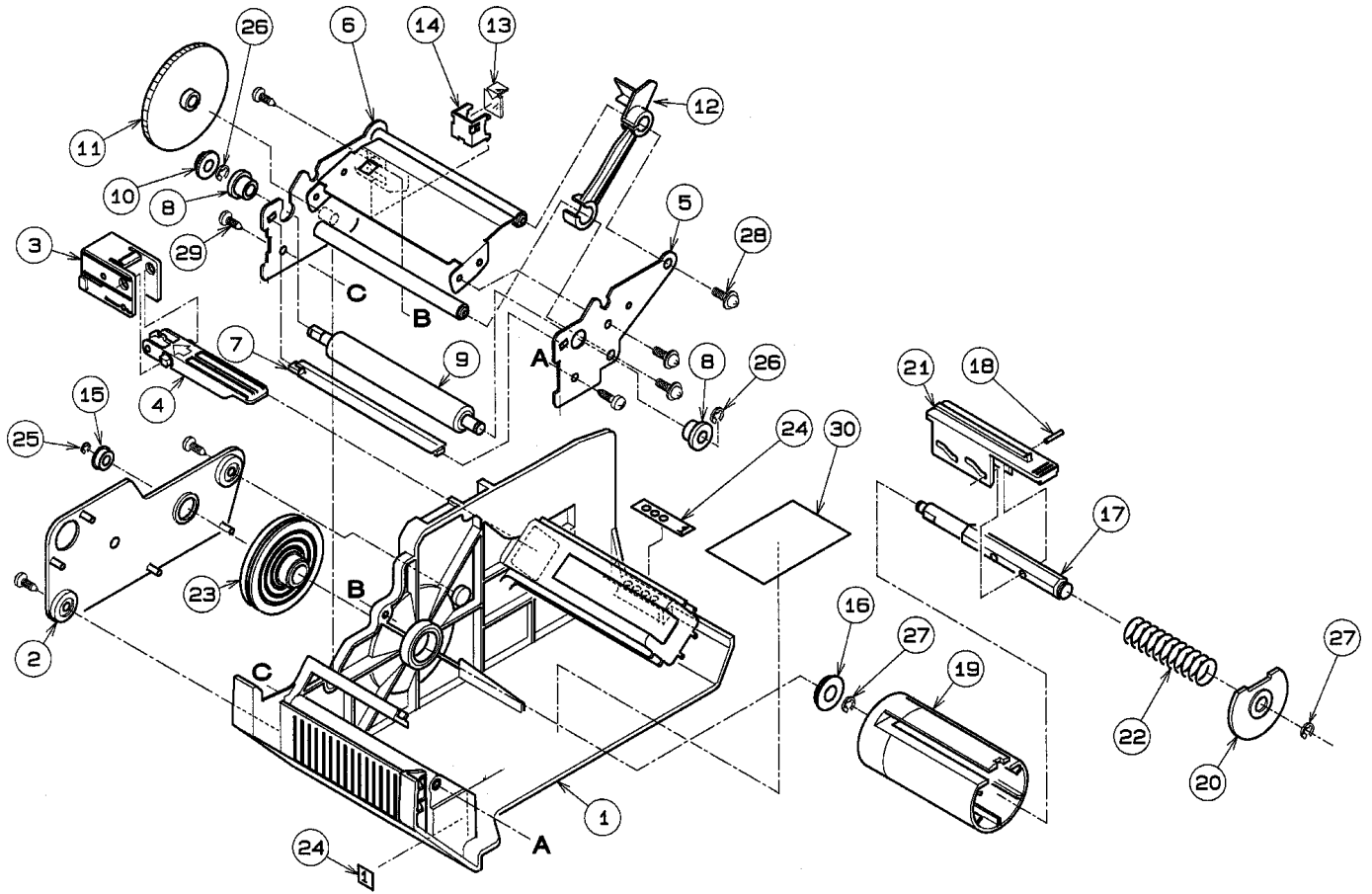
(Diagram SR-2000a-C)

Parts not listed are no longer available. Some parts listed may not be available.

An ISO 9001 registered company © 2025 Rice Lake Weighing Systems Prices and specifications subject to change without notice. Visit [ricelake.com](http://ricelake.com) for current prices.

# SR-2000a

Cassette Unit



SR-2000a-C

Discontinued Scales

# SR-2000a

Controller Unit

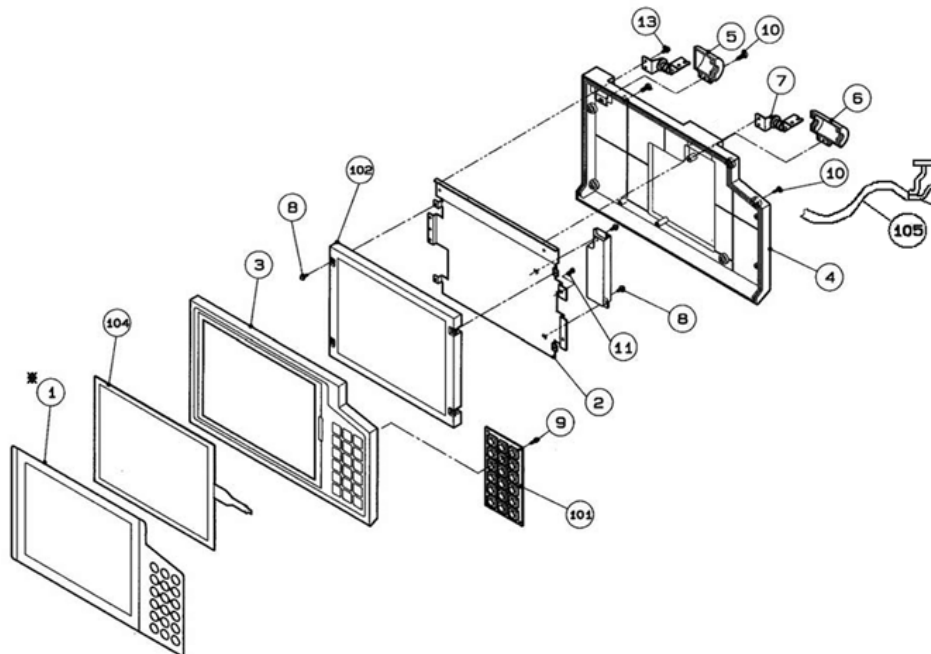


## Part Number/Price

Ref#	Part#	Description	Price
1	87524	Sheet, keyboard, lb 103-4396-14	\$59.00
2	Consult	Bracket, display 101-7620-24	\$14.75
3	Consult	Case, controller, front 101-7647-15	\$16.75
4	Consult	Case, controller, rear 101-7650-17	\$22.00
5	Consult	Cap, controller, L 101-7652-14	\$6.25
6	120645	Cap, controller, R 101-7653-18	\$6.25
7	Consult	Hinge, torque 102-1009-14	\$28.25
8	48239	TP screw M3x6 00-0438-08	\$2.00
9	Consult	Tapping screw, cross pan head 38-6732-01	\$1.25
10	45519	Tapping screw, cross pan head 00-0353-05	\$2.00
11	Consult	Tapping screw, cross pan head 72-8766-07	\$1.25
13	120646	Cross head, hex bolt, with SW and PW 78-0612-01	\$1.25
14	Consult	Accessory, clamp code sticker 02-5711-08	\$1.25
15	Consult	Accessory, clamp code sticker 00-5450-01	\$1.25
101	87525	PWB, P-981-2, tactile keyboard, 100-8470-01	\$80.00
104	87529	Touch panel, analog 91-8918-07	\$120.00
105	103026	Harness, display assembly	\$183.00

(Diagram SR-2000a-D)

Note: For complete assembly, see Main Unit item 11, page 210



SR-2000a-D

Discontinued Scales

Parts not listed are no longer available. Some parts listed may not be available.

An ISO 9001 registered company © 2025 Rice Lake Weighing Systems Prices and specifications subject to change without notice. Visit ricelake.com for current prices.

# SR-2000a

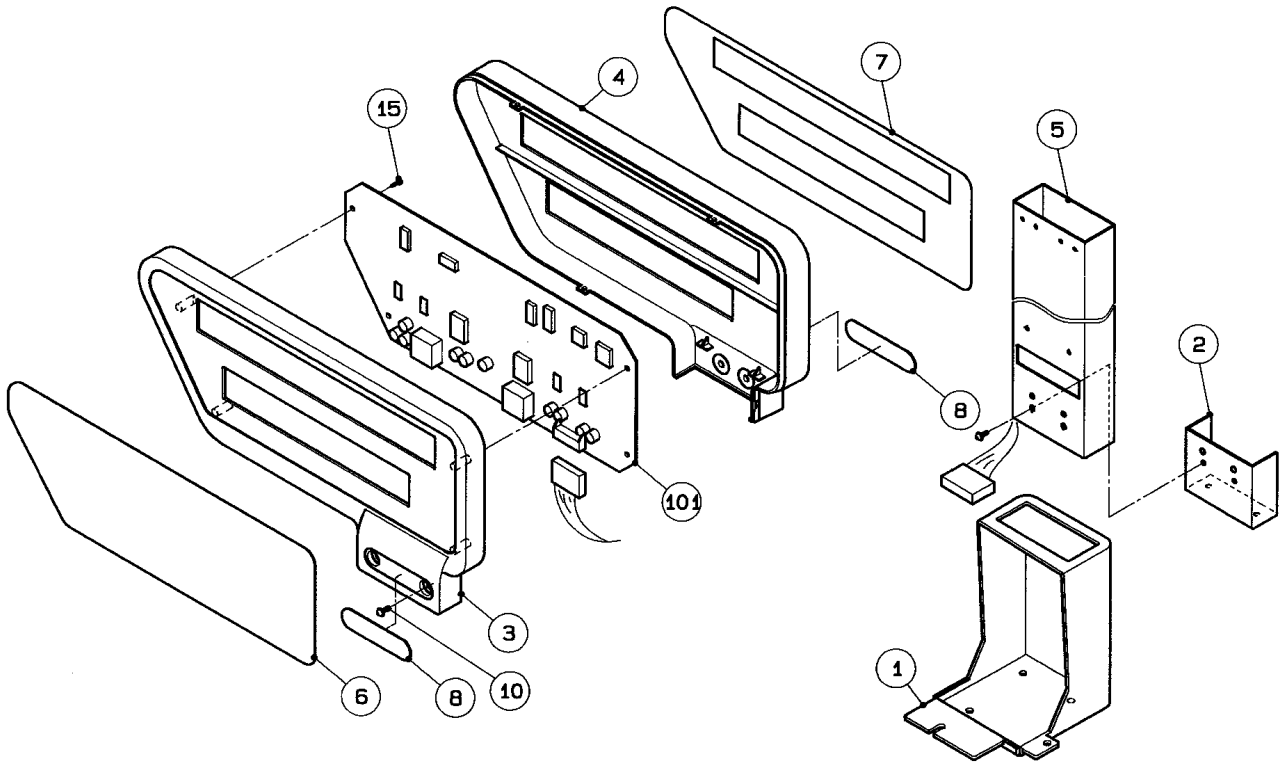
Pole Display



## Part Number/Price

Ref#	Part#	Description	Price
1	Consult	Cover pole 105-5194-08	\$226.75
2	Consult	Bracket pole 105-5195-01	\$55.25
3	80960	Case, display, front 89-3935-01	\$17.00
4	80958	Case, display, rear 893936-05	\$17.00
5	80961	Pole, stand 89-4004-08	\$63.00
6	Consult	Panel, display 105-5105-06, operator	\$16.75
7	Consult	Panel, display 105-5106-00, customer	\$16.75
8	80981	Plate A, Ishida sticker, screw cover 89-4028-07	\$5.00
9	41732	Screw cross truss 00-0237-06	\$2.00
10	47008	TP screw 00-0439-01	\$3.00
13	Consult	Nut 68-9857-01	\$25.00
14	Consult	Screw, cross pan head 00-0086-01	\$1.25
15	Consult	Tapping screw, cross pan head 00-0356-06	\$1.25
16	45174	Push rivet 36-3442-05	\$2.00
17	Consult	Accessory, clamp, code sticker 02-5711-08	\$1.25
101	Consult	Display, fluoresent, dot matrix 105-5368-09	\$609.50
102	Consult	Fuse holder AS 106-1432-05	\$22.00
103	Consult	Cover, fuse holder 60-1535-04	\$2.25
104	Consult	Fuse, ceramic 106-1436-01	\$2.25

(Diagram SR-2000a-E)



SR-2000a-E

# BC-4000L2H

Assembly



## Part Number/Price

Ref#	Part#	Description	Price
1	102813	Keyboard, membrane, contacts only	\$54.00
2	102815	Sheet, programming keyboard	\$24.00
3a	102814	Keysheet, operation insert	\$30.00
3b	102816	Sheet, clear, with adhesive	\$19.00
4	Consult	Harness, LCD, 380 mm, operator side	\$6.25
5	104251	Display, LCD dot	\$293.00
6	Consult	Bracket seal	\$8.25
7	66398	Switch	\$13.00
8	Consult	Handle	\$8.25
9	Consult	Bracket, left	\$25.00
10	107707	Power supply, CWS 100-24	\$252.00
11	Consult	Base upper	\$31.00
12	104649	Accessory, weld assembly	\$30.00
—	Consult	M4x12 hex bolt w/washer	Consult
13	104650	Seal rubber	\$7.00
14	104651	Cover upper	\$54.00
15	80991	Power cord	\$21.00
16	Consult	Harness, C4 power	\$8.50
17	104654	Accessory, weld upper	\$30.00
18	104655	Harness, TCP-IP	\$30.00
19	Consult	Base printer	\$25.00
21	80973	PWB, PS-229A, A/D board	\$238.00
22	Consult	Harness display L150	\$6.25
23	Consult	Cover, customer	\$170.00
24	104252	PWB, PS-986 LCD display control board	\$252.00
25	104172	Resistor assembly	\$30.00
26	104652	Sheet display, customer side, BC-4000L2H	\$19.00
27	104653	Handle	\$22.00
28	Consult	Cover printer	\$77.00
29	Consult	Screw support	\$2.00
30	80963	Load cell, C2G1-25K-S18-25kg-350	\$159.00
31	165282	Accessory, weld hook	\$12.00
—	Consult	M4x6 set screw	Consult
32	165010	Screw hook	\$13.00
33	Consult	Base bottom	\$39.00
34	104667	Ball hook	\$24.00
35	Consult	Block load cell	\$11.00
36	Consult	Magnet	\$1.75
37	66383	Hinge	\$3.00
38	104670	Platter, bar cross	\$51.00
39	104671	Platter bar	\$77.00
40	104672	Block, bar connect	\$54.00
41	Consult	Bracket, printer	\$13.00
42	104673	Platter	\$54.00
43	102817	PWB, PS-037, tactile keyboard	\$54.00
44	Consult	Cover operation	\$205.00
45	104674	Sheet key	\$2.00
46	104675	Sheet display, operator side, BC-4000L2H	\$19.00
47	45211	Shaft	\$3.00
48	45223	Screw bow	\$6.00
49	45203	Spring coil	\$2.00
50	45206	Tension spring	\$3.00
51	45201	Guide label	\$11.00
52	45145	Step screw pan	\$6.00
53	45222	Shaft	\$93.00

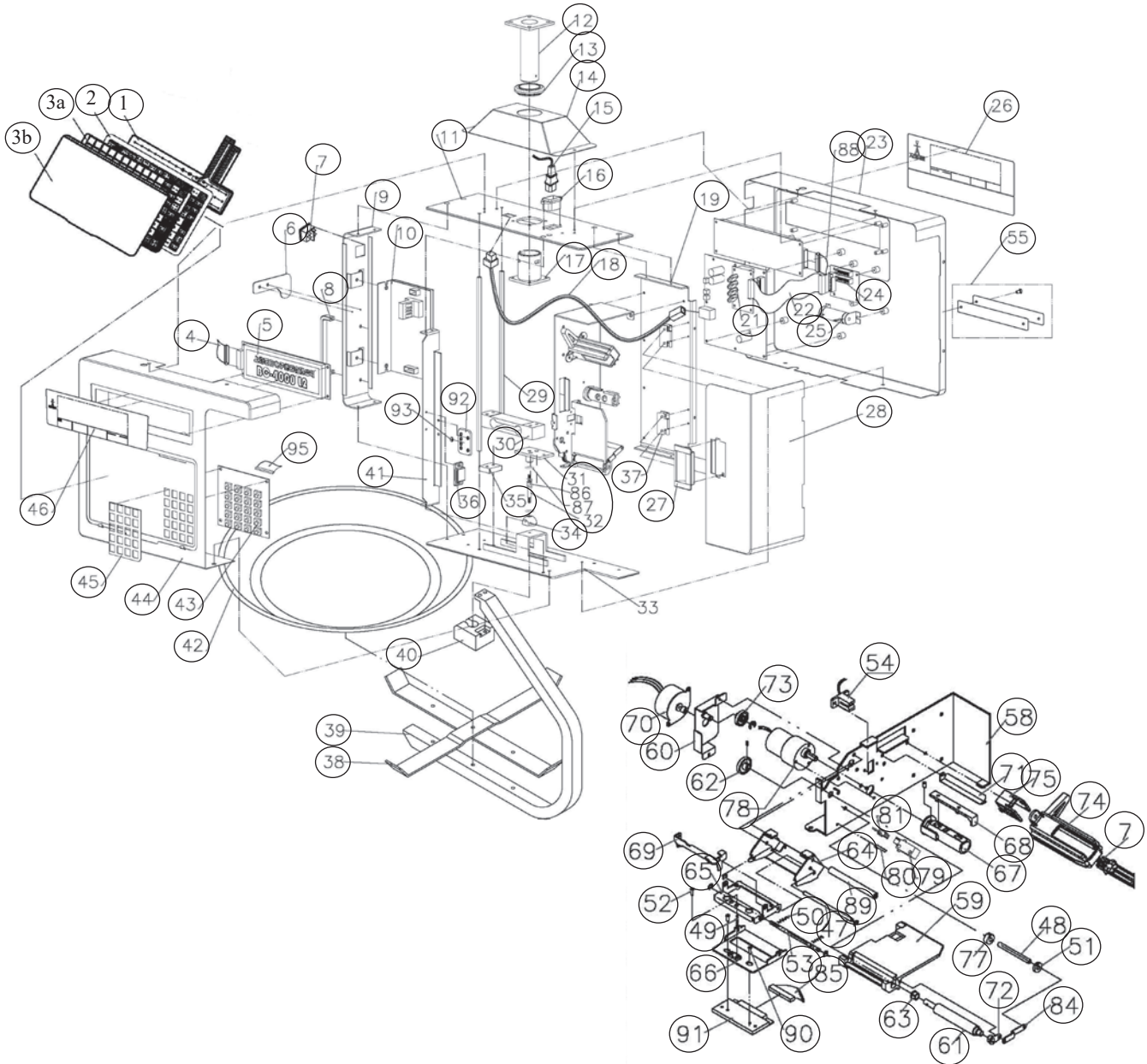
(Diagram BC-4000L2H-A)

Parts not listed are no longer available. Some parts listed may not be available.

An ISO 9001 registered company © 2025 Rice Lake Weighing Systems Prices and specifications subject to change without notice. Visit ricelake.com for current prices.

# BC-4000L2H

Assembly



BC-4000L2H-A

Discontinued Scales

Parts not listed are no longer available. Some parts listed may not be available.

An ISO 9001 registered company ©2025 Rice Lake Weighing Systems Prices and specifications subject to change without notice. Visit [ricelake.com](http://ricelake.com) for current prices.

# BC-4000L2H

Assembly



## Part Number/Price

Ref#	Part#	Description	Price
54	104832	Label gap sensor assembly	\$34.00
55	Consult	Nameplate specification	Consult
58	Consult	Frame printer	\$13.25
59	66371	Table label	\$23.50
60	66358	Bracket motor	\$17.00
61	108192	Roller rubber	\$25.50
62	66360	Gear, spur single	\$2.00
63	66370	Bush left	\$2.00
64	66363	Frame head	\$12.00
65	66364	Bracket lock	\$12.00
66	66365	Bracket head	\$20.00
67/68	105437	Label take-up kit, reel and lever (without screws)	\$7.00
—	42714	Screw, M4x8, pan head tap	\$3.00
—	66375	Screw, M3x6, set	\$2.00
69	66362	Bracket push	\$6.00
70	66357	Motor, stepping, print roller drive	\$61.00
71	66374	Holder label	\$9.00
72	66368	Bush right	\$2.00
73	66359	Gear, spur dual	\$2.00
74	66377	Holder label	\$10.00
75	66378	Holder, guide label	\$4.00
76	66376	Lever, guide label	\$4.00
77	66367	Guide label	\$4.00
78	66361	Motor, label paper rewind	\$77.00
79	80953	Sensor, peel	\$51.00
80	Consult	Bracket, peel sensor	\$1.00
81	Consult	Harness, peel sensor	\$2.00
84	80954	Bracket support	\$3.00
85	104267	Harness, S2 thermal head	\$19.00
86	104668	Spring hook	\$5.00
87	104669	Washer, GB	\$3.00
88	Consult	Harness, LCD, 140 mm, customer side	\$6.25
89	45188	Screw bow	\$21.00
90	Consult	Screw, M3 4.5, thermal head	\$2.25
91	119169	Thermal head, BHE4256SU / CHX56-8359, 1100 ohm	\$252.00
—	100747	Tear bar, for continuous label	\$18.00
—	116073	Screw, button head, M3x4, thermal head mount	\$2.00
92	Consult	Bracket, GND	\$1.50
93	Consult	Label, GND cord	\$1.00
95	Consult	Harness, keyboard	\$5.00

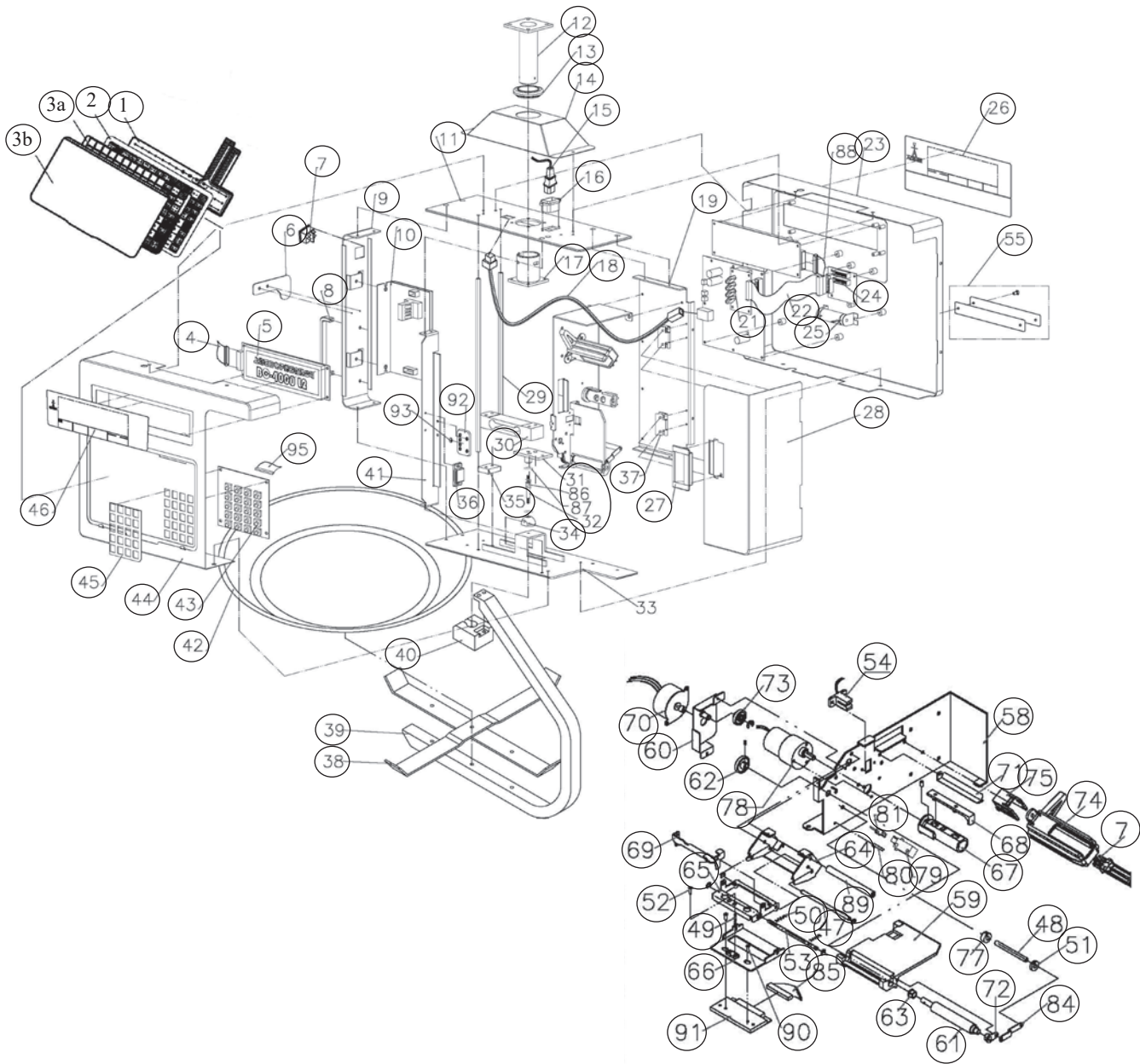
(Diagram BC-4000L2H-A)

Parts not listed are no longer available. Some parts listed may not be available.

An ISO 9001 registered company © 2025 Rice Lake Weighing Systems Prices and specifications subject to change without notice. Visit [ricelake.com](http://ricelake.com) for current prices.

# BC-4000L2H

Assembly



BC-4000L2H-A

Discontinued Scales

# IL-2000SA

Main Unit



## Part Number/Price

Ref#	Part#	Description	Price
1	Consult	Base, printer, 072-8585-19	\$35.00
2	Consult	Plate B, strengthen, 074-0518-14	\$23.00
3	Consult	Rubber pad, 001-4849-07	\$2.00
4	Consult	Bracket, connector, 115-1206-03	\$69.00
5	Consult	Accessory, bush, cable 123-2290-05	\$1.00
7	Consult	Plate B, 072-2448-38	\$8.00
8	193756	Grommet, with diaphragm, 075-1423-06	\$2.00
9	Consult	Grommet, with diaphragm, 075-1378-01	\$2.00
11	Consult	Frame AS, PWB, main 072-8756-28	\$65.00
13	Consult	Accessory, fastener, edge saddle 064-0355-06	\$1.00
14	Consult	PWB accessory, collar bush, 000-1845-04	\$1.00
15	45170	PWB accessory, collar bush	\$2.00
16	Consult	PWB accessory, card spacer, 000-1803-08	\$1.00
17	Consult	Bracket AS, PWB, 072-8752-32	\$69.00
18	Consult	Accessory, clamp, CKS clamp 001-3035-09	\$2.00
19	Consult	Accessory, spacer, 075-1410-08	\$4.00
20	Consult	Accessory, clamp, flat cable 065-1823-03	\$7.00
21	Consult	Accessory, clamp, nylon clamp 027-8515-00	\$1.00
22	Consult	Case, main body, upper 072-8547-17	\$28.00
23	200475	Tapping screw, bind, p tight 074-7340-05	\$2.00
24	Consult	Sheet, keyboard, 118-7870-01	\$194.00
25	42967	Cap	\$2.00
26	Consult	Bracket, display, right 072-8557-32	\$15.00
27	Consult	Bracket, display, left 072-8556-39	\$15.00
29	Consult	Print, torque, 072-8703-02	\$27.00
30	Consult	Cover, hinge 074-7031-22	\$32.00
31	Consult	Cover, slot, CF 079-8654-04	\$13.00
32	Consult	Plate B, PC, 066-1831-01	\$2.00
33	Consult	Cover, card, 071-4684-12	\$5.00
35	Consult	Seal, one side, 110-7850-17	\$17.00
36	Consult	Nameplate, 097-8992-07	\$1.00
37	Consult	Nameplate, explanation, 118-7932-08	\$7.00
38	Consult	Nameplate, explanation, 118-7869-06	\$38.00
39	Consult	Nameplate, specification, 118-7872-08	Consult
40	Consult	Tapping screw, cross truss, T2 037-2702-07	\$1.00
41	Consult	Screw, cross truss, 075-1421-09	\$1.00
42	47008	TP screw,	\$3.00
43	Consult	Screw, cross pan head, 000-0092-03	\$1.00
44	Consult	Screw M4 8 000-0313-06	\$1.00
45	Consult	Tapping screw, cross pan head, 000-0356-06	\$1.00
46	Consult	Screw, cross pan head, BWA S2P1, 003-2571-00	\$1.00
47	42714	TP tapping screw, T2	\$3.00
48	42736	TP tapping screw, T2	\$3.00
49	48239	TP screw M3x6	\$2.00
51	200473	TP tapping screw, T2, 019-8842-03	\$2.00
52	42711	Tapping screw, cross pan head, 002-6504-07	\$2.00
53	96327	Cover, printer,	\$10.00
55	189338	TP screw, 002-1938-01	\$2.00
101	Consult	PWB, P-910R, rev7 CPU board, 120-0340-18	\$1,232.00
102	87517	PWB, P-909D thermal print board	\$240.00
103	Consult	PWB, P-919A, display junction board, 069-4745-15	\$216.00
104	Consult	PWB, P-918A, comms junction board, 069-6884-17	\$166.00

(Diagram IL-2000SA-A)

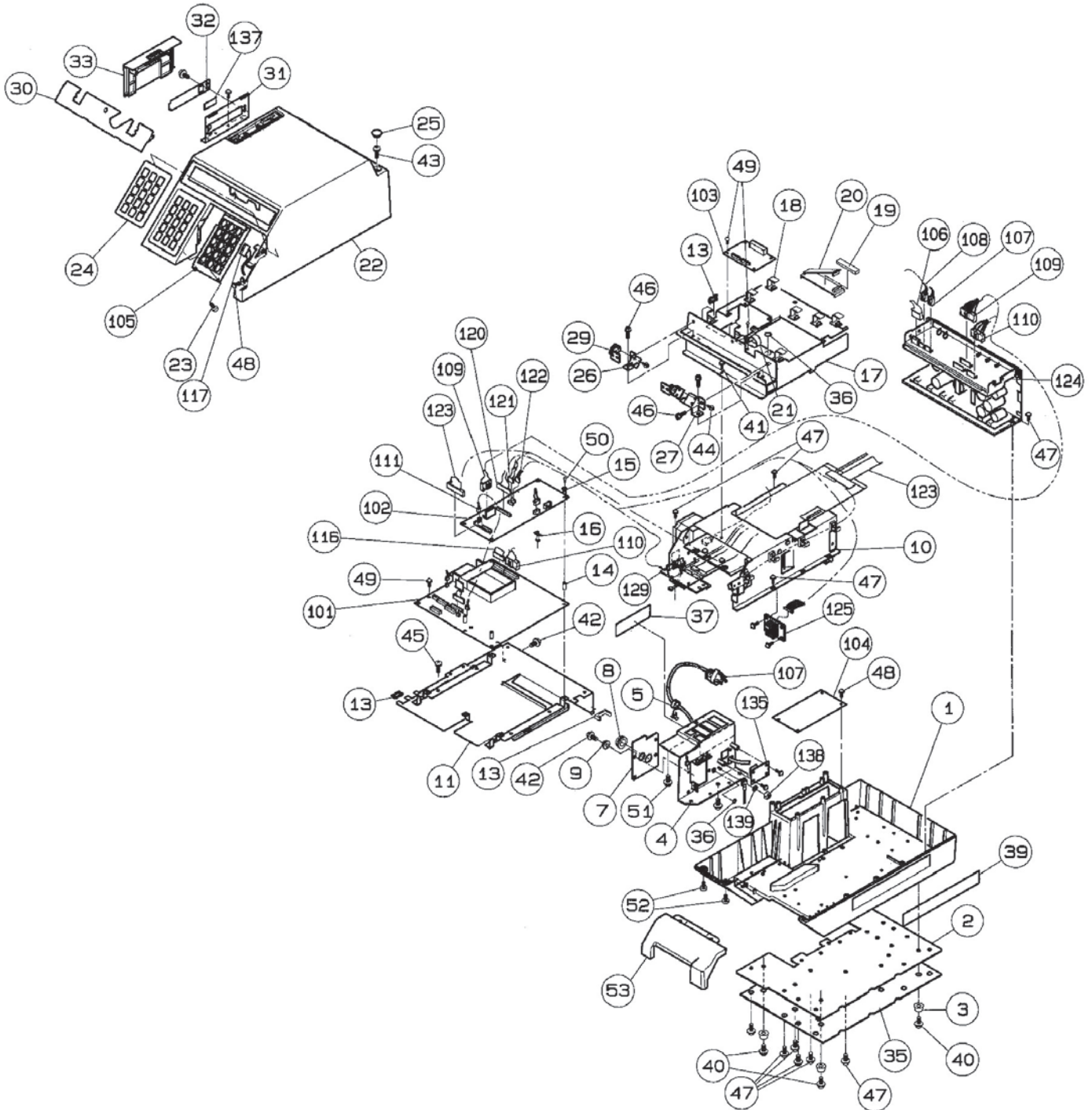
Discontinued Scales

Parts not listed are no longer available. Some parts listed may not be available.

An ISO 9001 registered company © 2025 Rice Lake Weighing Systems Prices and specifications subject to change without notice. Visit ricelake.com for current prices.

# IL-2000SA

Main Unit



IL-2000SA-A

Discontinued Scales

# IL-2000SA

Main Unit



## Part Number/Price

Ref#	Part#	Description	Price
105	<b>185572</b>	PWB, P-944, keyboard, 072-8611-03	\$86.00
106	<b>Consult</b>	Switch assembly, seesaw, 115-1058-09	\$28.00
107	<b>Consult</b>	Harness, C3, PS 114-6567-18	\$38.00
108	<b>Consult</b>	Harness, S1, AC jumper 072-8992-02	\$4.00
109	<b>Consult</b>	Harness, S2, power 24V 072-8990-14	\$10.00
110	<b>Consult</b>	Harness, C3, PS DC 072-5237-49	\$13.00
111	<b>Consult</b>	Harness, S2, power junction 063-8454-12	\$3.00
112	<b>Consult</b>	Harness, C3, inverter junction 072-5373-15	\$5.00
113	<b>Consult</b>	Harness, S2, RS-232C 072-5370-14	\$11.00
114	<b>Consult</b>	Harness, S2, LCD1 072-5233-26	\$12.00
115	<b>Consult</b>	Harness, S2, LCD2 072-5232-22	\$12.00
116	<b>Consult</b>	Harness, C3, communication 072-5234-39	\$23.00
117	<b>Consult</b>	Harness, C2, key 072-8510-38	\$8.00
118	<b>Consult</b>	Harness, C2, drawer 072-5240-13	\$6.00
119	<b>Consult</b>	Harness, C2, drawer 072-8995-12	\$7.00
123	<b>Consult</b>	Harness S2 thermal head 072-8991-09	\$16.00
124	<b>87521</b>	Power supply, switching, 106-1434-04	\$346.00
129	<b>108946</b>	Printer, thermal, 068-0593-05	\$422.00
130	<b>Consult</b>	Connector, D sub, accessory 070-9748-09	\$3.00
131	<b>Consult</b>	Connector, D sub, accessory 070-9749-02	\$2.00
133	<b>Consult</b>	Harness, S2, ether 095-9479-01	\$29.00
134	<b>186416</b>	Filter, ferrite core, 074-0771-01	\$11.00
135	<b>Consult</b>	PWB: P-967, Ethernet junction board, 095-4469-06	\$21.00
137	<b>Consult</b>	Nameplate, explanation, 112-9937-00	\$6.00
138	<b>48236</b>	Hex nut, T1	\$2.00
139	<b>42854</b>	Spring washer,	\$2.00
999	<b>Consult</b>	Nameplate, explanation, 104-9936-01	\$10.00
999	<b>95563</b>	RF card, LA-4137	\$271.00
999	<b>91871</b>	Adaptor, PCMCIA, for LA-4137	\$31.00

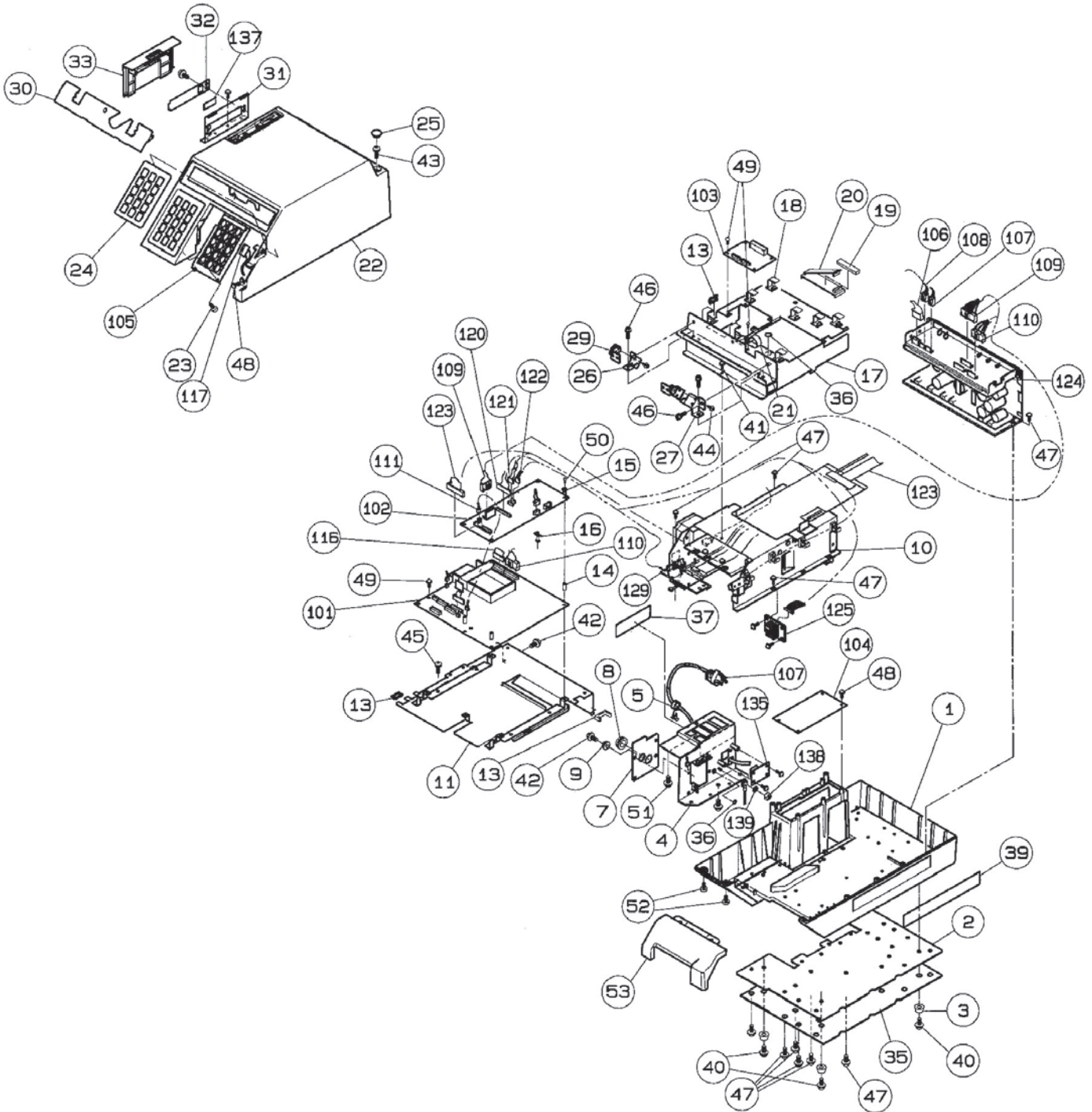
(Diagram IL-2000SA-A)

Parts not listed are no longer available. Some parts listed may not be available.

An ISO 9001 registered company © 2025 Rice Lake Weighing Systems Prices and specifications subject to change without notice. Visit [ricelake.com](http://ricelake.com) for current prices.

# IL-2000SA

Main Unit



IL-2000SA-A

Discontinued Scales

# IL-2000SA

Display Unit



## Part Number/Price

Ref#	Part#	Description	Price
1	Consult	Case, controller, front 072-5481-14	\$8.00
2	Consult	Case assembly, controller, rear 075-1379-05	\$12.00
3	Consult	Cover, volume, 070-3083-04	\$2.00
4	Consult	Frame, controller, 072-8623-26	\$69.00
5	Consult	Cover, controller, connector 072-8641-14	\$27.00
6	Consult	Sheet, display, 073-7077-17	\$17.00
8	Consult	Grommet, with diaphragm, 075-1378-01	\$2.00
9	Consult	PWB accessory, card spacer, 072-8771-06	\$1.00
10	Consult	PWB accessory, card spacer, 072-8772-00	\$1.00
11	Consult	Tapping screw, cross pan, P 072-8766-07	\$1.00
12	Consult	Tapping screw, cross truss, T2 050-2021-01	\$1.00
14	Consult	Screw, cross pan head, 002-5338-01	\$1.00
15	Consult	Screw, cross pan head, 072-8769-08	\$1.00
16	Consult	TP screw, 047-3842-08	\$1.00
17	48784	TP screw, M3-0.5x6	\$2.00
18	Consult	Nameplate, explanation, 118-7871-04	\$41.00
19	Consult	Sheet, insulation, LCD 075-1386-01	\$2.00
101	Consult	PWB, P-917A, display controller, 069-4753-70	\$239.00
102	Consult	Harness, S2, inverter 069-6728-28	\$9.00
103	Consult	Harness, C2, LCD1 072-5371-09	\$9.00
104	Consult	Harness, C2, LCD2 072-5372-11	\$10.00
105	Consult	Volume AS, 069-4800-26	\$10.00
106	Consult	Power supply, inverter, 070-3124-03	\$77.00
107	Consult	Display, LCD, 068-5288-07	\$845.00
108	Consult	Touch panel, analog, 100-8482-14	\$85.00

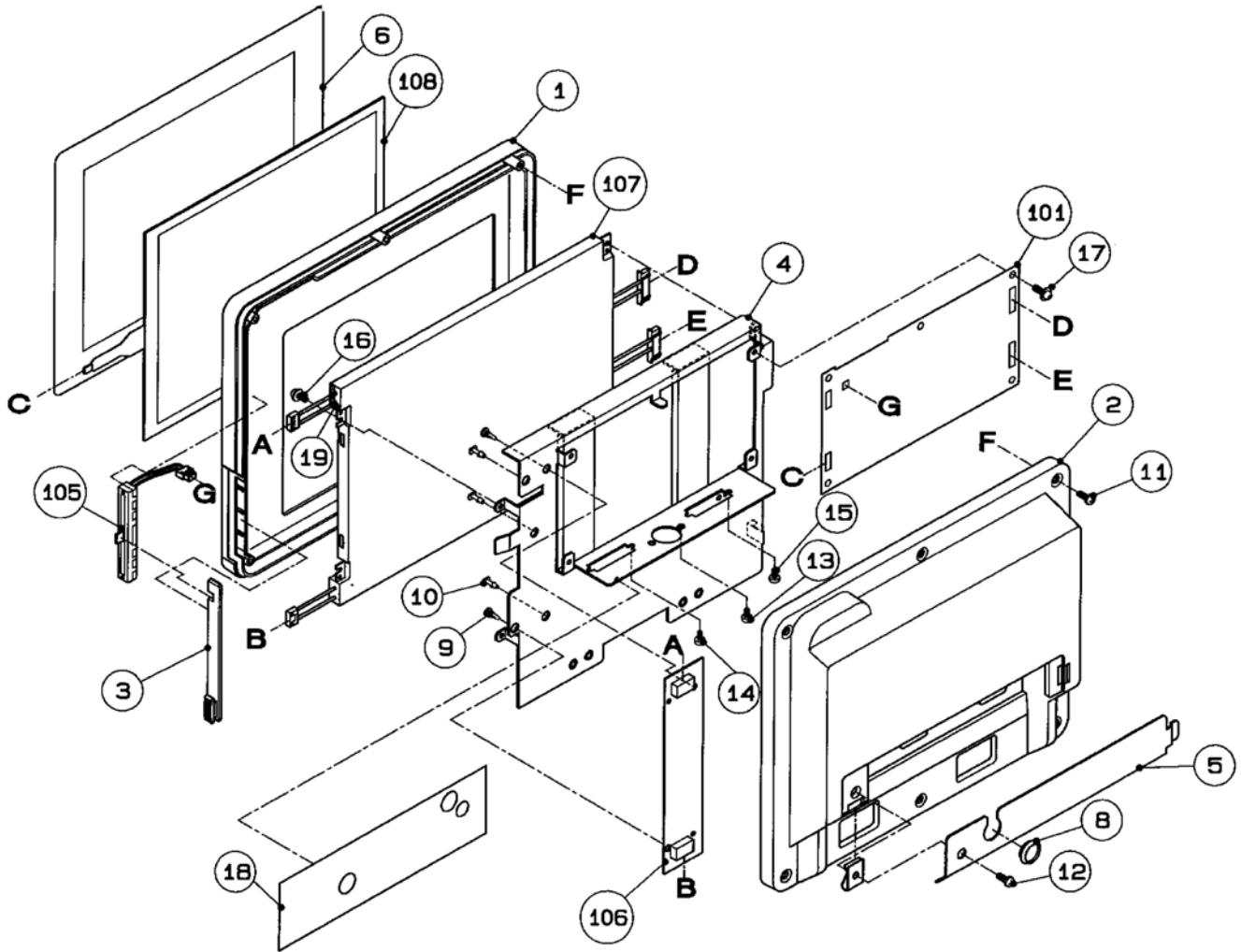
(Diagram IL-2000SA-B)

Parts not listed are no longer available. Some parts listed may not be available.

An ISO 9001 registered company © 2025 Rice Lake Weighing Systems Prices and specifications subject to change without notice. Visit [ricelake.com](http://ricelake.com) for current prices.

# IL-2000SA

Display Unit



IL-2000SA-B



## Part Number/Price

Ref#	Part#	Description	Price
1	Consult	Frame, printer, 066-1832-22	\$20.00
2	Consult	Frame, printer, upper 066-4262-21	\$6.00
3	Consult	Bracket, sensor, R 066-4257-03	\$2.00
5	Consult	Rail, printer, L 066-4363-05	\$4.00
6	Consult	Rail, printer, R 066-4362-01	\$4.00
8	Consult	Sheet, cover, harness 074-7419-05	\$11.00
9	Consult	Shaft, printer, 064-0164-39	\$5.00
10	Consult	Bush, 066-7780-06	\$3.00
11	Consult	Spring, coil, 066-4251-01	\$6.00
12	Consult	Bracket, printer, 075-5569-01	\$13.00
13	Consult	Plate A, sq, 066-4249-03	\$2.00
14	Consult	Press AS, label sensor, 066-4258-16	\$19.00
15	96434	Bracket, head,	\$30.00
16	96435	Spring, coil, compressive	\$3.00
17	96436	Spring, coil, compressive	\$3.00
18	96437	Plate A, spring, support	\$4.00
19	Consult	Stay, head, thermal 066-4261-09	\$3.00
20	47481	Stopper,	\$45.00
21	96367	Gear, flat,	\$7.00
22	Consult	Motor AS, stepping, 072-8989-01	\$77.00
24	Consult	Catch, roller, 064-0344-05	\$2.00
25	115169	Collar, spacer, 048-6074-02	\$2.00
26	46989	Collar, spacer	\$2.00
27	48784	TP screw,	\$2.00
28	42728	TP tapping screw, 000-0436-01	\$2.00
29	Consult	TP screw, 000-0439-01	\$1.00
30	Consult	Screw, cross truss, 000-0239-03	\$1.00
31	Consult	Screw, cross pan head, with glue 066-7811-08	\$1.00
32	47215	C ring, for shaft, 036-0949-05	\$3.00
33	Consult	E-ring, 000-0287-02	\$1.00
34	Consult	Screw, cross, pan head, with sw 065-1827-08	\$1.00
35	Consult	Screw, cross pan head, 002-1850-08	\$1.00
36	Consult	Tapping, screw 000-4826-04	\$1.00
41	Consult	Accessory, clamp, CKN clamp 007-5412-01	\$2.00
42	Consult	Accessory, clamp, wire 022-7035-09	\$3.00
45	84066	Set screw, hex socket, w-point, M4-0.7x4 stainless steel 000-0469-03	\$2.00
46	Consult	Collar, spacer 005-0812-04	\$1.00
47	Consult	Tape, single side, avoidance 066-7933-18	\$4.00
48	Consult	Tape, single side, avoidance 066-7934-11	\$2.00
49	96440	Cover, head, 075-5776-14	\$10.00
50	Consult	Guide, label, 075-5570-05	\$14.00
120	Consult	Harness, S2, cassette Sensor 072-5239-28	\$11.00
121	Consult	Harness, C2, label Sensor 072-5236-18	\$7.00
122	Consult	Harness, C3, peel Sensor 072-5235-32	\$9.00
123	Consult	Harness S2 thermal head 072-8991-09	\$16.00
125	87532	Sensor, cassette number 064-5586-08	\$46.00
126	87533	Photo interrupter, reflection, label gap 105-5249-09	\$43.00
127	87534	Photo interrupter, peel sensor, grey, left, trans 64-5587-01	\$12.00
128	87535	Photo interrupter, peel sensor, black, right, receive 66-4500-09	\$12.00
129	Consult	Printer, thermal, 068-0593-05	\$311.00
150	Consult	Catch, support, 093-1681-04	\$24.00

(Diagram IL-2000SA-C)

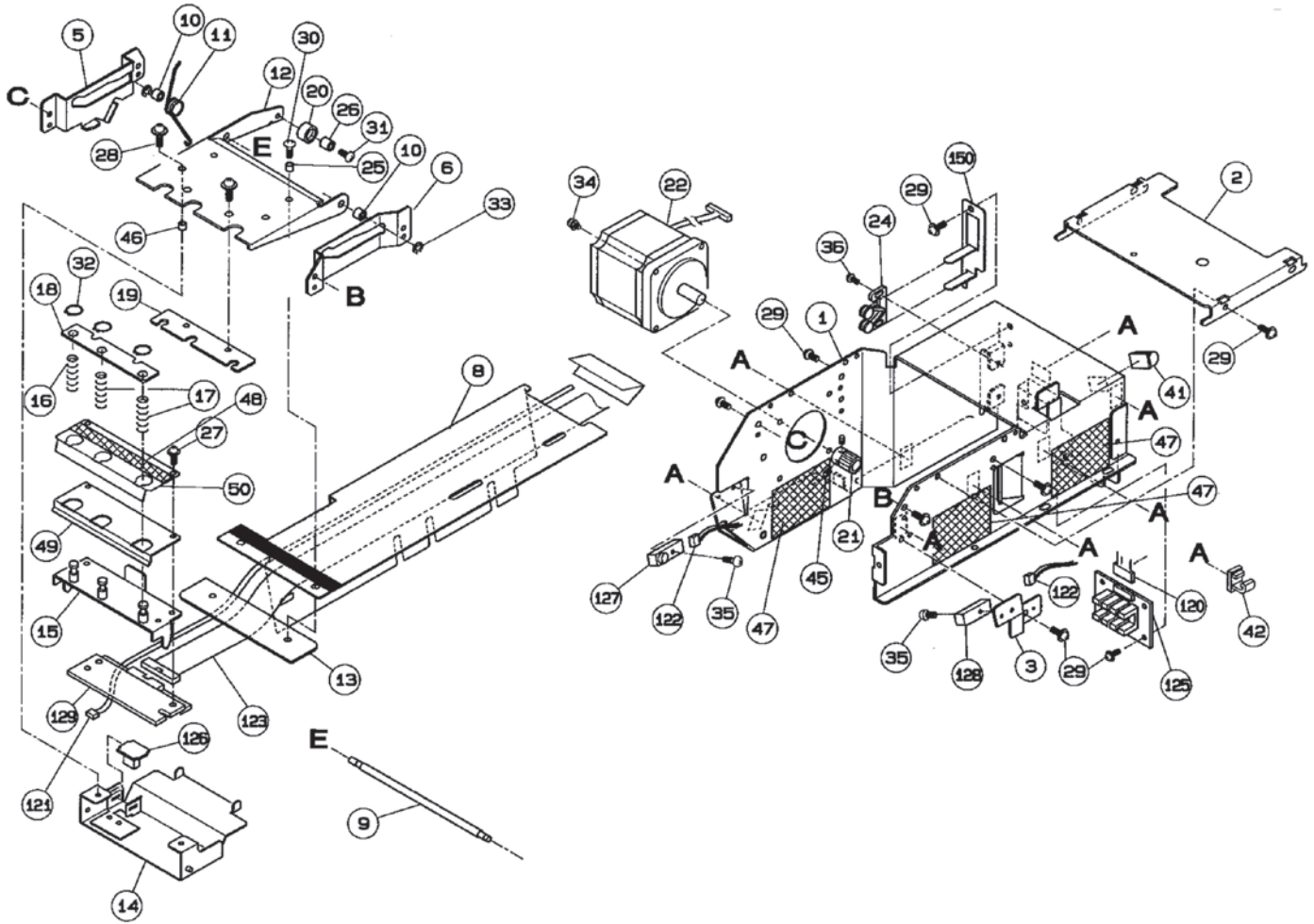
Discontinued Scales

Parts not listed are no longer available. Some parts listed may not be available.

An ISO 9001 registered company © 2025 Rice Lake Weighing Systems Prices and specifications subject to change without notice. Visit [ricelake.com](http://ricelake.com) for current prices.

# IL-2000SA

Printer Unit



IL-2000SA-C

# IL-2000SA

Cassette Unit



## Part Number/Price

Ref#	Part#	Description	Price
1	Consult	Main body, printer cassette 63-8272-21	\$85.50
2	Consult	Cover, gear 63-8270-23	\$5.25
3	175358	Holder, guide, label 63-8267-21	\$3.00
4	175359	Lever, guide, label 63-8414-22	\$3.00
5	Consult	Plate B, printing roller 64-0134-19	\$7.50
6	Consult	Frame, printing, L 64-0136-34	\$5.25
7	Consult	Plate assembly, peeling shaft 64-0062-23	\$10.50
8	93355	Bush, print roller 64-0201-24	\$5.00
9	93339	Roller, print 64-0202-37	\$25.00
10	93341	Gear, flat small 63-8269-29	\$4.00
11	93340	Gear, flat large 63-8268-25	\$3.00
12	100519	Guide label 63-8271-18	\$3.00
13	198410	Block B, prism 63-8261-20	\$4.00
14	Consult	Bracket, prism 63-8262-05	\$2.25
15	93342	Bush 64-0058-19	\$4.00
16	172635	Bearing, radial 00-3727-05	\$14.00
17	157780	Shaft, step, winding 64-0175-21	\$25.00
18	Consult	Spring pin 34-0034-03	\$1.25
19	101104	Bobbin, winding 64-0176-24	\$6.00
20	157781	Cover, winding 64-0174-27	\$3.00
21	101105	Holder, winding, stopper 64-0189-22	\$3.00
22	157782	Spring, coil, compressive 64-0192-06	\$3.00
23	116740	Torque limiter, (Includes flat gear medium) 65-1663-04	\$46.00
24	182045	Cassette decal "1" 65-1664-26	\$12.00
—	93235	Cassette decals "2-7" 65-1755-21	\$5.00
25	46986	E-ring, 3 mm 00-0287-02	\$2.00
26	46984	E-ring, 4 mm 00-0288-06	\$2.00
27	46977	E-ring, 6 mm 00-0296-04	\$2.00
28	42728	M4x6 pan head flange washer stainless steel screw 00-0436-01	\$2.00
29	200526	Tapping screw, cross bind M4x10 stainless steel 65-1665-01	\$2.00
30	Consult	Nameplate, label threading 66-1810-02	\$3.25
ASSY	87514	Label cassette, complete assembly	\$243.00

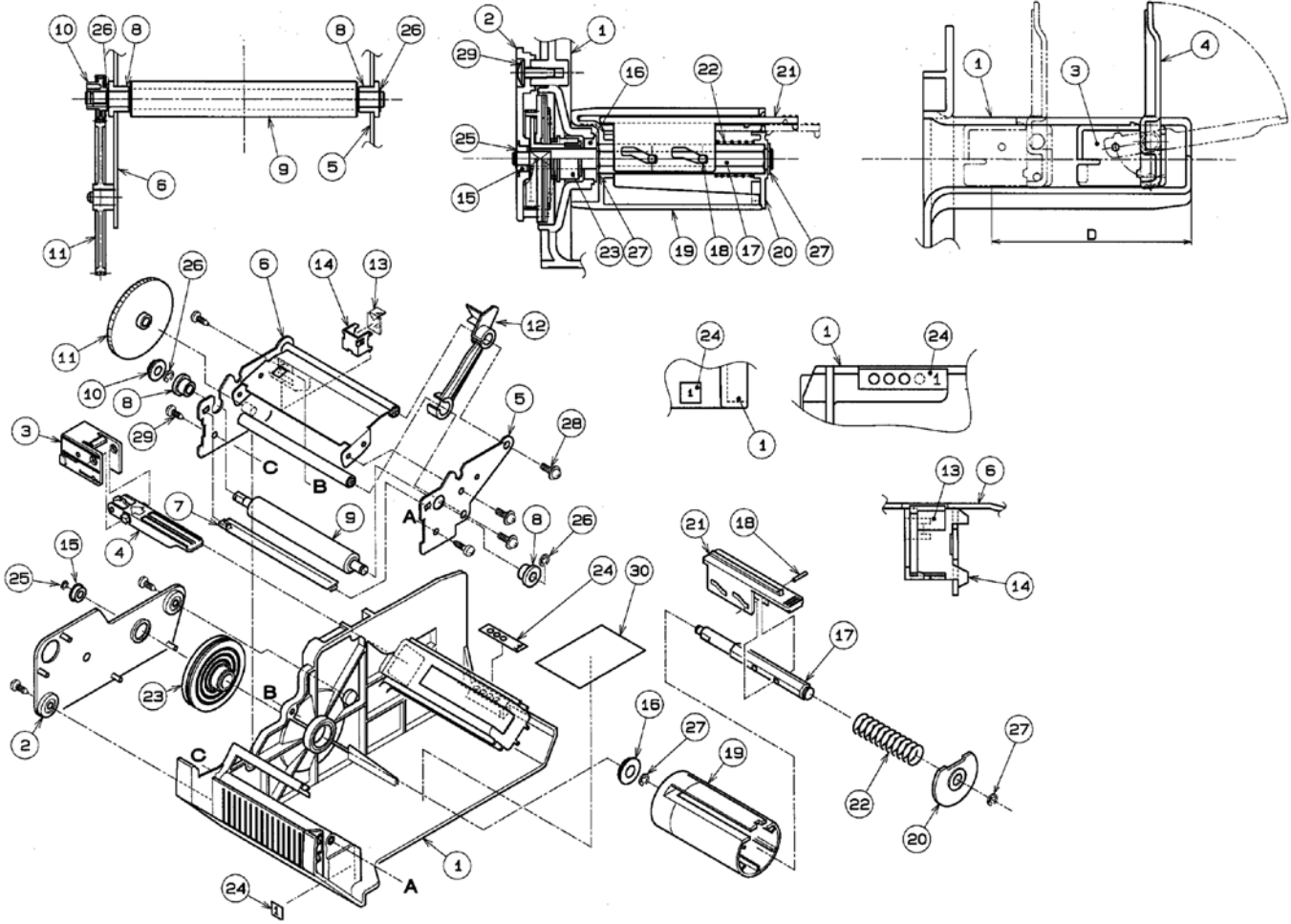
(Diagram IL-2000SA-D)

Parts not listed are no longer available. Some parts listed may not be available.

An ISO 9001 registered company © 2025 Rice Lake Weighing Systems Prices and specifications subject to change without notice. Visit [ricelake.com](http://ricelake.com) for current prices.

# IL-2000SA

Cassette Unit



IL-2000SA-D

# IL-2000SA

Head Unit/Top Unit



## Part Number/Price

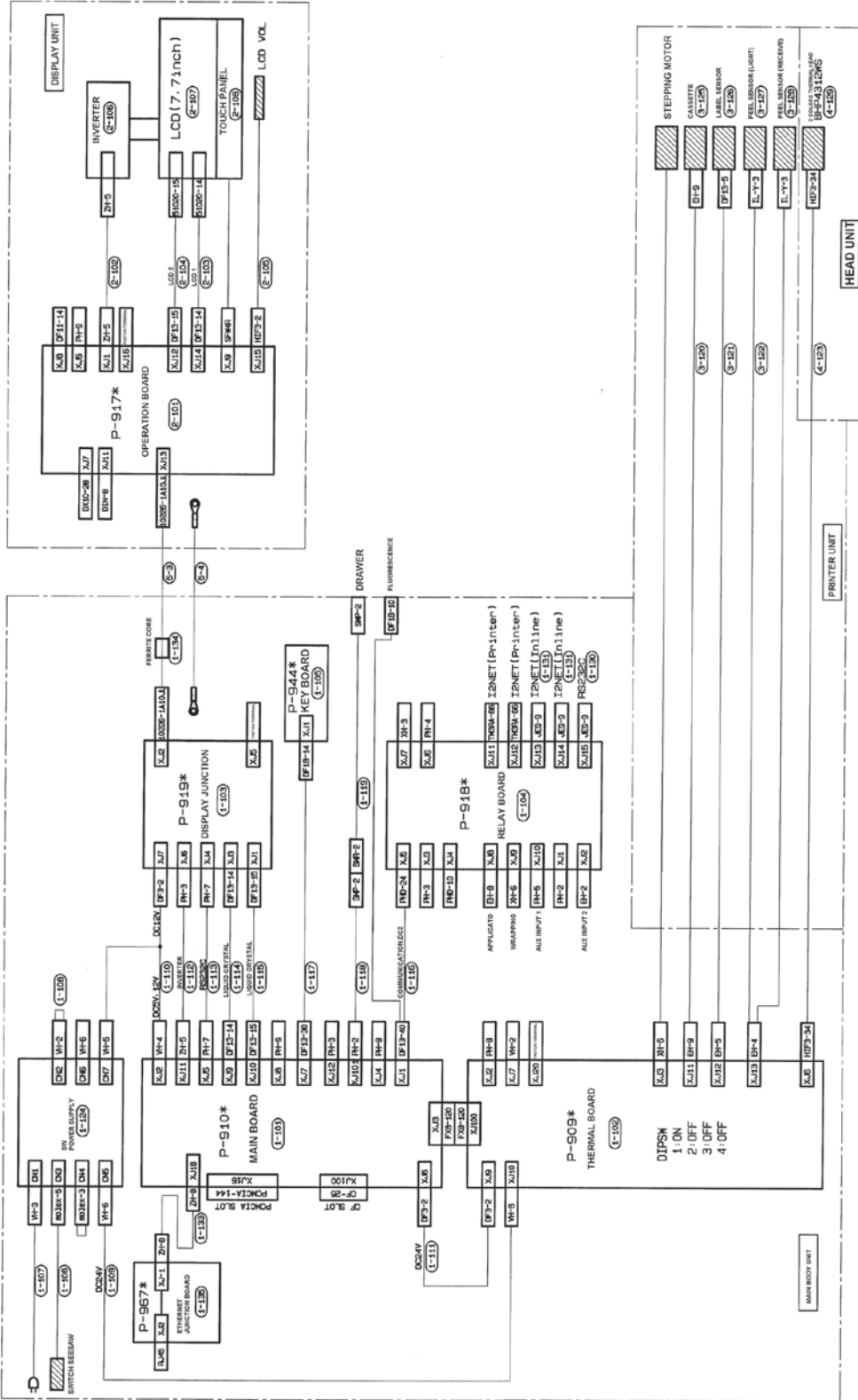
Ref#	Part#	Description	Price
<b>Head Unit: Thermal</b>			
4-123	<b>Consult</b>	Harness S2 thermal head 072-8991-09	\$16.00
4-129	<b>108946</b>	Printer, thermal, 068-0593-05	\$422.00
<b>Top Unit</b>			
5-3	<b>Consult</b>	Harness, S2, operation 074-0831-01	\$82.00
5-4	<b>Consult</b>	Harness, S2, ground 074-0547-03	\$4.00

(Diagram IL-2000SA-Wiring)

Parts not listed are no longer available. Some parts listed may not be available.

An ISO 9001 registered company © 2025 Rice Lake Weighing Systems Prices and specifications subject to change without notice. Visit [ricelake.com](http://ricelake.com) for current prices.

# IL-2000SA Wiring Diagram



## Legend

- 1: Main Unit
- 2: Display Unit
- 3: Printer Unit
- 4: Printhead Unit
- 5: Top Unit (external)

IL-2000SA-Wiring

Discontinued Scales



**Part Number/Price**

Ref#	Part#	Description	Price
1	Consult	Plate A, SQ 093-1627-11	\$22.00
2	Consult	Spring, B, 2 072-5389-14	\$7.00
3	Consult	Slide, rail, left 075-5713-01	\$6.00
4	Consult	Bracket, stopper 093-5279-13	\$52.00
5	Consult	Bracket, head 066-4253-18	\$14.00
6	Consult	Shaft, printer, slide 072-5495-16	\$9.00
7	Consult	Bracket AS, print 093-5278-38	\$58.00
8	Consult	Slide, rail, right, 075-5712-07	\$6.00
9	Consult	Bracket, sensor, 075-5718-09	\$14.00
10	Consult	Bracket, motor, 072-8512-17	\$7.00
11	Consult	Plate A, sensor, 072-8513-20	\$5.00
12	Consult	Block B, sensor, 074-7263-11	\$2.00
14	Consult	Frame, rear, 072-8517-15	\$34.00
15	Consult	Sensor, receiver, 075-5706-13	\$3.00
16	Consult	Cover, rear, 072-8519-31	\$71.00
17	Consult	Base, under, 121-5397-06	\$243.00
18	Consult	Frame, middle, 079-8650-28	\$69.00
19	Consult	Frame, right, 079-1433-02	\$55.00
20	Consult	Bracket, AS, display, 090-0585-04	\$20.00
22	Consult	Frame, AS, upper 090-0563-11	\$69.00
23	Consult	Frame, left 079-1440-09	\$35.00
25	Consult	Bracket, thermal harness, 079-1441-11	\$11.00
26	Consult	Bracket, display board, 079-1437-07	\$22.00
28	Consult	L plate A, micro sw 079-8652-07	\$7.00
29	Consult	Clip, print, 074-0827-42	\$10.00
30	Consult	Cover, harness, thermal 079-1442-06	\$16.00
31	Consult	Plate A, key 079-8653-01	\$6.00
32	Consult	Base, key, 079-1438-01	\$45.00
33	Consult	Plate A, cover, lower 074-7025-11	\$28.00
34	Consult	Collar, 074-7026-05	\$7.00
35	Consult	Bracket, stopper 075-5705-01	\$4.00
36	Consult	Cover, printer, connector 079-1439-04	\$20.00
37	Consult	Gear, flat, 047-0630-04	\$7.00
38	Consult	Rail, slide, 043-1905-02	\$33.00
40	Consult	Plate A, spring, support 066-4250-08	\$2.00
41	Consult	Stay, head, thermal 066-4261-09	\$3.00
42	Consult	Bush, 066-7780-06	\$3.00
43	96440	Cover, head 075-5776-14	\$10.00
44	96435	Spring, coil, compressive 096-9830-03	\$3.00
45	96436	Spring, coil, compressive 096-9831-07	\$3.00
46	Consult	Rubber pad, 072-8631-08	\$2.00
47	Consult	Accessory, bush, 046-2004-02	\$2.00
48	110644	Spring, coil, tension 021-5673-01	\$9.00
49	Consult	Accessory, bush, cable 123-2319-09	\$1.00
50	Consult	PWB accessory, collar, bush 000-1973-08	\$1.00
51	Consult	PWB accessory, collar, bush, 000-1845-04	\$1.00
52	Consult	Accessory, fastener, edge saddle 064-0360-05	\$2.00
54	Consult	Accessory, clamp, flat cable 065-1823-03	\$7.00
57	Consult	Catch, magnet, 079-1224-01	\$12.00
58	Consult	Cover, slot, CF 117-9863-04	\$20.00

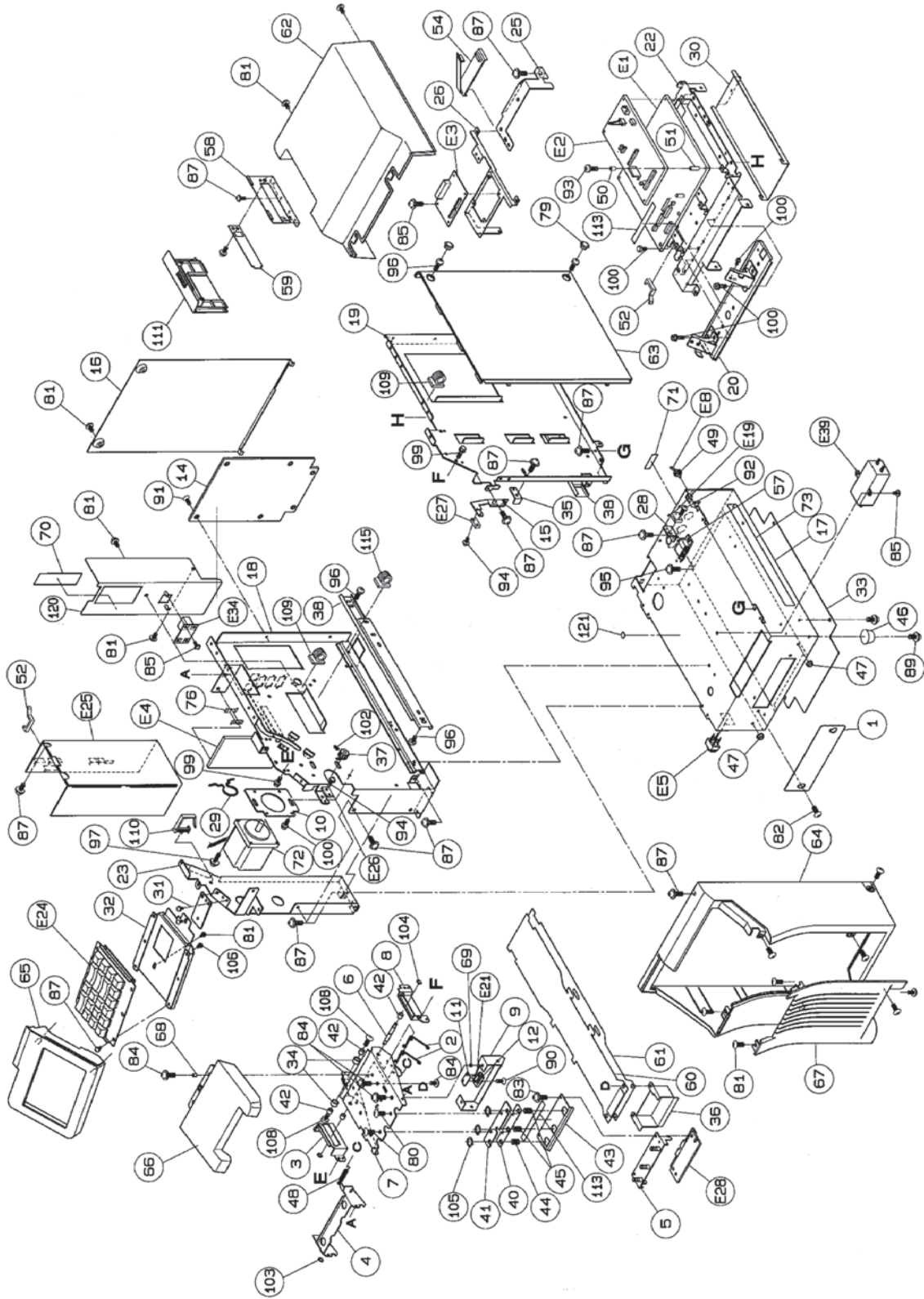
(Diagram IL-EMZ-A)

Parts not listed are no longer available. Some parts listed may not be available.

An ISO 9001 registered company ©2025 Rice Lake Weighing Systems Prices and specifications subject to change without notice. Visit ricelake.com for current prices.

# IL-EMZ

Main Unit



NOTE: For diagram numbers beginning with "E" refer to IL-EMZ main electrical Unit.

IL-EMZ-A

Discontinued Scales



**Part Number/Price**

Ref#	Part#	Description	Price
59	Consult	Plate B, PC, 066-1831-01	\$2.00
60	Consult	Sheet, harness, upper 074-7032-17	\$9.00
61	Consult	Sheet, harness, lower 079-8651-03	\$10.00
62	Consult	Case, main body, upper 072-8684-14	\$34.00
63	Consult	Case, main body, side 072-8698-16	\$30.00
64	Consult	Case, main body, front 072-8838-20	\$22.00
65	Consult	Case, key, 072-8867-28	\$7.00
66	Consult	Cover, printer, 072-8852-22	\$9.00
67	Consult	Cover, cassette, front 072-8841-21	\$11.00
68	Consult	Collar, spacer 010-5999-08	\$1.00
69	Consult	Collar, spacer 010-5543-03	\$1.00
70	Consult	Nameplate, explanation, 104-2220-03	\$4.00
71	Consult	Nameplate, explanation, 122-1731-00	\$14.00
72	Consult	Motor AS, stepping, 074-7420-19	\$71.00
73	Consult	Nameplate, specification, 123-5573-28	Consult
76	Consult	PWB accessory, card spacer, 000-1805-05	\$2.00
79	Consult	Cap, 001-4457-01	\$1.00
80	Consult	Screw, cross truss, 002-1925-03	\$1.00
81	Consult	Screw, cross truss, 000-0237-06	\$1.00
82	Consult	Screw, cross truss, 001-0022-00	\$1.00
83	Consult	TP screw, 010-0725-06	\$1.00
84	42728	M4x6 pan head flange washer stainless steel screw 00-0436-01	\$2.00
85	Consult	TP screw M3x6 000-0438-08	\$1.00
87	Consult	TP screw, 000-0439-01	\$1.00
89	Consult	Screw, cross truss, 000-0254-00	\$1.00
90	Consult	Screw, cross flat, 000-0217-01	\$1.00
91	Consult	Screw, cross flat, 002-1914-02	\$1.00
92	Consult	Screw, cross pan head, 066-4172-01	\$1.00
93	Consult	Screw, cross pan head, 002-1835-01	\$1.00
94	Consult	Screw, cross pan head, 002-1850-08	\$1.00
95	Consult	Screw, cross pan head, BWA S2P2 000-0323-03	\$1.00
96	Consult	Screw, cross pan head, 000-0091-00	\$1.00
97	Consult	Screw, cross pan head, BWA S2P1 003-2571-00	\$1.00
99	Consult	Cross head, hex bolt with sw/pw 014-3996-09	\$1.00
100	Consult	Plus hex bolt, 000-0337-05	\$1.00
102	84066	Set screw, hex socket, w-point, M4-0.7x4 stainless steel 000-0469-03	\$2.00
103	Consult	E-ring, 000-0286-09	\$1.00
104	Consult	E-ring, 000-0287-02	\$1.00
105	47215	C ring, for shaft, 036-0949-05	\$3.00
106	200473	TP tapping screw, T2 019-8842-03	\$2.00
108	Consult	Screw, cross truss, 007-1060-09	\$1.00
109	Consult	Accessory, clamp, CKN clamp 002-5032-02	\$5.00
110	Consult	Accessory, clamp, LWS clamp 051-3041-07	\$2.00
111	Consult	Cover, card, 071-4684-12	\$5.00
113	Consult	Tape rejection 079-8656-01	\$8.00
115	Consult	Accessory, clamp, CKN clamp 007-5412-01	\$2.00
120	Consult	L plate B, 095-9478-17	\$69.00
121	Consult	Nameplate, 097-8992-07	\$1.00

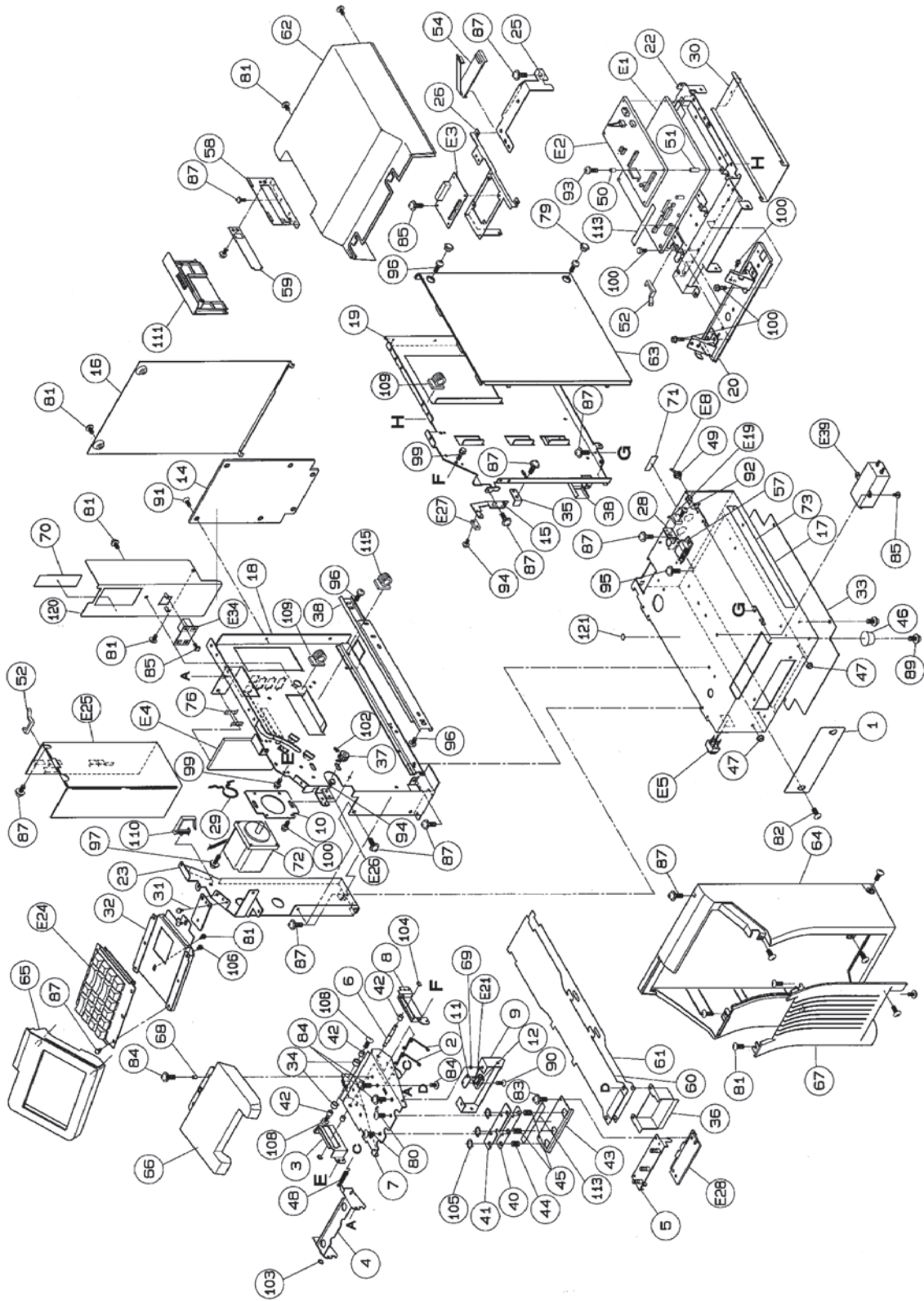
(Diagram IL-EMZ-A)

Parts not listed are no longer available. Some parts listed may not be available.

An ISO 9001 registered company © 2025 Rice Lake Weighing Systems Prices and specifications subject to change without notice. Visit ricelake.com for current prices.

# IL-EMZ

Main Unit



IL-EMZ-A

NOTE: For diagram numbers beginning with "E" refer to IL-EMZ main electrical unit.

Discontinued Scales

# IL-EMZ

Display Unit



## Part Number/Price

Ref#	Part#	Description	Price
1	Consult	Case, controller, front 091-2133-09	\$9.00
2	Consult	Case assembly, controller, rear 098-8224-07	\$11.00
3	Consult	Cover, connector, 070-3082-01	\$5.00
4	Consult	Cover, brightness adjust, volume, 070-3083-04	\$2.00
5	Consult	Frame, controller, 098-3213-08	\$22.00
6	Consult	Bracket, connector, operation 074-7213-05	\$6.00
7	Consult	Sheet, 074-7467-04	\$3.00
9	Consult	Sheet, display, 093-1558-09	\$35.00
10	Consult	Print, torque, 072-8703-02	\$27.00
14	Consult	Accessory, clamp, wire 022-7035-09	\$3.00
15	Consult	Screw, cross pan head, 000-0069-07	\$1.00
16	Consult	Screw, cross pan head, 002-5338-01	\$1.00
17	Consult	Screw, cross pan head, 072-8769-08	\$1.00
18	Consult	Screw, cross pan head, BWA S2P2 000-0321-06	\$1.00
19	Consult	Tapping screw, cross pan, P 072-8766-07	\$1.00
20	Consult	Cross hex, set screw S2P2, 014-3997-02	\$1.00
21	Consult	Tapping screw, cross pan head, 072-8768-04	\$1.00
50	98408	Display, liquid crystal, TFT 101-1855-02	\$1,243.00
51	98402	Touch panel, analog, 069-6657-27	\$145.00
52	Consult	Inverter 098-8337-04	\$65.00
53	104766	PWB, P-917B, display controller, 098-8264-24	\$391.50
54	Consult	Harness, C2, key junction 069-6731-20	\$12.00
55	Consult	Harness, C4, TFT 098-3156-27	\$65.00
56	Consult	Harness, C2, inverter 098-3155-14	\$10.00
58	Consult	Volume AS, brightness adjust 098-8130-01	\$18.00
59	Consult	Plate, spacer, 098-3464-06	\$4.00
60	Consult	Plate, spacer, 098-3465-19	\$3.00

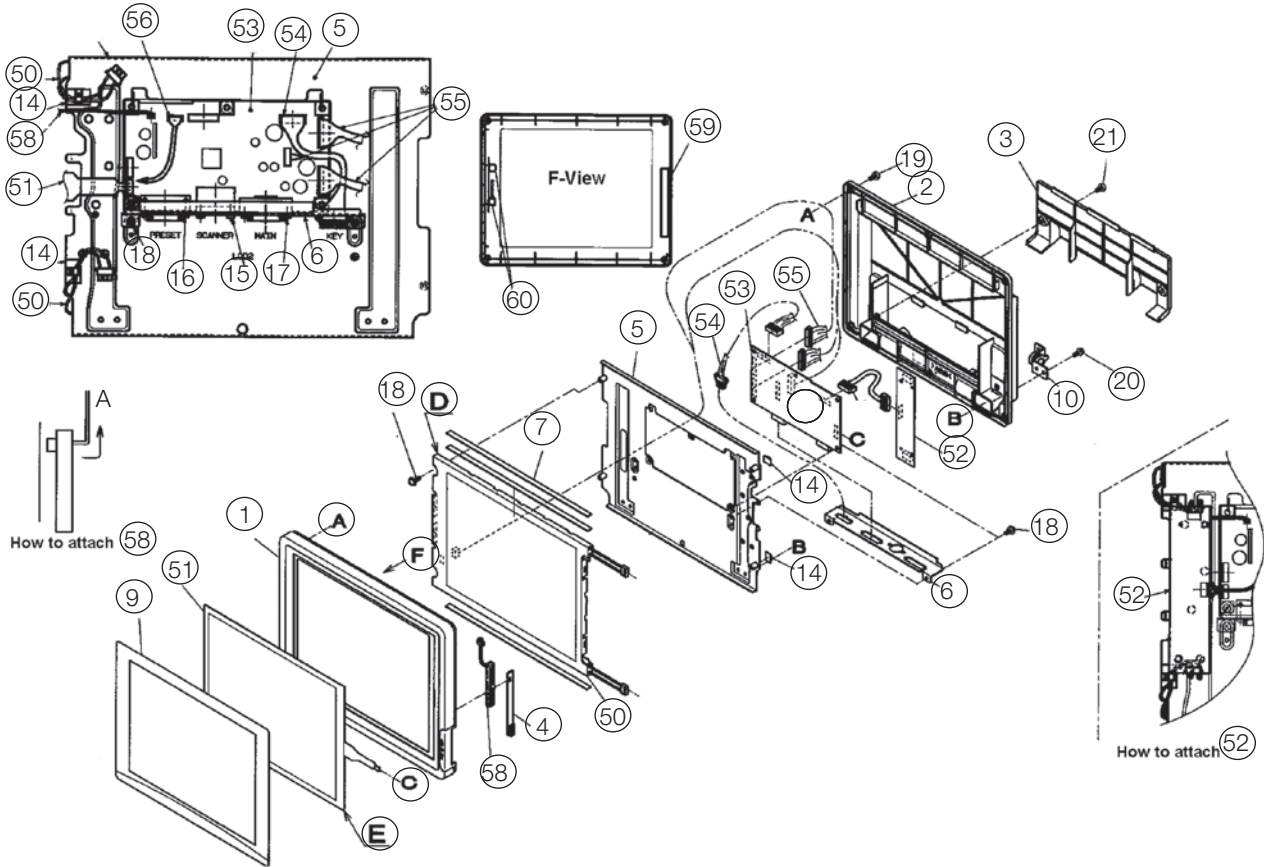
(Diagram IL-EMZ-B)

Parts not listed are no longer available. Some parts listed may not be available.

An ISO 9001 registered company © 2025 Rice Lake Weighing Systems Prices and specifications subject to change without notice. Visit [ricelake.com](http://ricelake.com) for current prices.

# IL-EMZ

Display Unit



IL-EMZ-B



**Part Number/Price**

Ref#	Part#	Description	Price
1	Consult	Plate assembly, peeling shaft, 075-5777-09	\$8.00
2	Consult	Bracket, print, 075-5715-08	\$13.00
3	Consult	Cover, harness, label sensor 075-5714-04	\$10.00
4	Consult	Label, break, 079-1435-00	\$9.00
5	Consult	Spring, C, 3 072-5491-11	\$5.00
6	Consult	Shaft, step, 072-5494-31	\$32.00
7	Consult	Roller, 072-5496-29	\$12.00
8	115145	Roller, print, 072-5497-22	\$24.00
9	Consult	Bracket, label, stopper 075-5778-02	\$9.00
10	Consult	Gear, idler, 25 074-7260-01	\$9.00
11	Consult	Gear, flat, 074-7262-08	\$2.00
12	Consult	Gear, flat, 074-7261-04	\$2.00
13	Consult	Plate A, sensor 072-8513-20	\$5.00
14	Consult	Block B, sensor 074-7264-14	\$2.00
15	Consult	Base assembly, printer 075-5787-06	\$55.00
16	Consult	Shaft, label, rear 072-8533-15	\$10.00
17	Consult	Threaded rod, round, mm 072-8832-19	\$10.00
18	Consult	Guide, label, 075-5773-04	\$9.00
19	Consult	Spring, plate, guide 075-5710-00	\$3.00
20	Consult	Bracket, holder, 075-5716-01	\$10.00
21	Consult	Holder, roller, 075-5775-01	\$7.00
22	Consult	Spring, coil, 074-0822-08	\$9.00
23	Consult	Shaft, label, 074-0823-11	\$10.00
24	Consult	Step screw, pan 074-7028-02	\$3.00
25	Consult	Frame, cassette, rear 111-5835-11	\$15.00
26	Consult	Frame, cassette, front 075-5779-06	\$32.00
27	Consult	Spring, plate, 075-5774-08	\$9.00
28	Consult	Guide, printer, cassette 075-5709-05	\$9.00
29	Consult	Roller, pole 011-0853-07	\$5.00
30	Consult	Guide, label 020-6991-20	\$6.00
31	Consult	Shaft, roller, assist 044-3821-17	\$6.00
32	110525	Roller, assist, 060-8956-04	\$37.00
33	Consult	Roller, assist, 069-4967-06	\$16.00
34	157781	Cover, winding, 064-0174-27	\$3.00
35	Consult	Bobbin, winding, 064-0176-24	\$4.00
36	Consult	Holder, winding, stopper 064-0189-22	\$2.00
37	157782	Spring, coil, compressive 064-0192-06	\$3.00
38	Consult	Bush, 064-0201-24	\$4.00
39	Consult	Spring pin, 017-2601-06	\$1.00
40	Consult	Spring, coil, compressive 053-8767-00	\$7.00
41	Consult	Spring, coil, compressive 059-8733-07	\$7.00
42	Consult	Collar, spacer 013-8288-06	\$1.00
43	Consult	Collar, spacer 000-0413-05	\$1.00
44	172635	Bearing, radial, 000-3727-05	\$14.00
45	Consult	Collar, spacer 074-7219-07	\$1.00
46	Consult	Tapping screw, plus, P tight 075-1405-09	\$1.00
47	Consult	Tapping screw, TP, B tight 075-1431-06	\$1.00
48	42728	TP tapping screw, 000-0436-01	\$2.00
49	Consult	TP screw, 010-0725-06	\$1.00
50	Consult	Hex bolt, bolt and washer AS S2P2, 000-5923-06	\$1.00
51	Consult	Screw, cross truss, 002-1933-03	\$1.00
52	200473	TP tapping screw, T2 019-8842-03	\$2.00
53	Consult	E-ring, 000-0290-04	\$1.00
54	Consult	E-ring, 000-0286-09	\$1.00

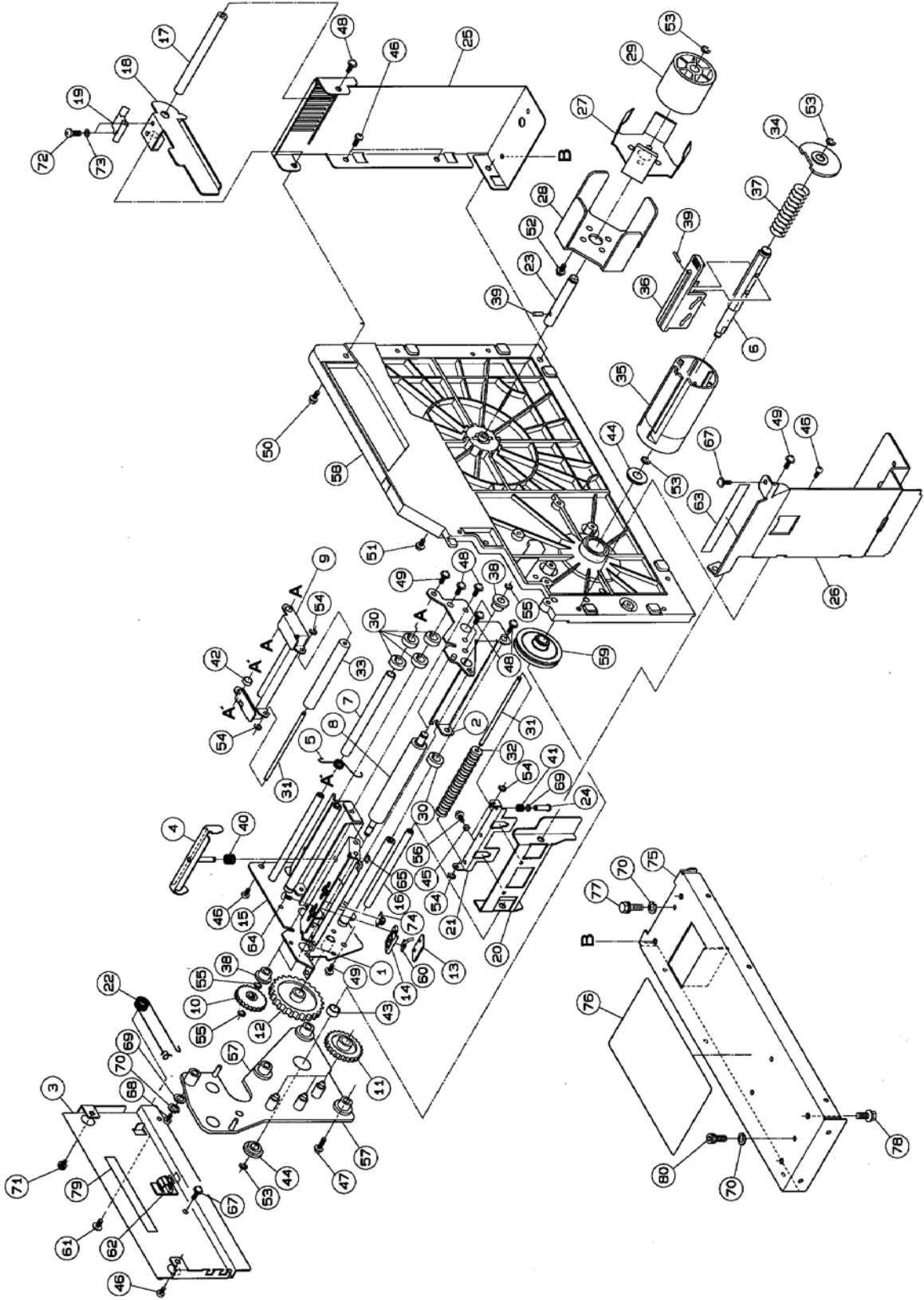
(Diagram IL-EMZ-C)

Parts not listed are no longer available. Some parts listed may not be available.

An ISO 9001 registered company © 2025 Rice Lake Weighing Systems Prices and specifications subject to change without notice. Visit ricelake.com for current prices.

# IL-EMZ

Cassette Unit



IL-EMZ-C

Discontinued Scales

Parts not listed are no longer available. Some parts listed may not be available.

An ISO 9001 registered company ©2025 Rice Lake Weighing Systems Prices and specifications subject to change without notice. Visit [ricelake.com](http://ricelake.com) for current prices.

# IL-EMZ

Cassette Unit



## Part Number/Price

Ref#	Part#	Description	Price
55	Consult	E-ring 000-0288-06	\$1.00
56	Consult	Screw, cross pan head 002-1849-03	\$1.00
57	Consult	Cover, gear 072-5489-22	\$8.00
58	Consult	Main body, printer, cassette 072-8839-14	\$31.00
59	Consult	Limiter A, assembly, 074-7421-03	\$34.00
60	Consult	Sensor AS, label 072-5369-29	\$19.00
61	Consult	Screw, cross truss 002-1926-07	\$1.00
62	Consult	Accessory, clamp, CKN clamp 007-5412-01	\$2.00
63	Consult	Tape rejection 079-8656-01	\$8.00
64	Consult	Screw, cross flat 000-0217-01	\$1.00
65	Consult	E-ring 000-0287-02	\$1.00
67	Consult	Screw, cross truss 000-0237-06	\$1.00
68	Consult	Screw, cross pan head 037-7757-00	\$1.00
69	Consult	Plain washer 000-0142-06	\$1.00
70	Consult	Spring washer 000-0172-08	\$1.00
71	Consult	Tapping screw, cross pan head 076-9733-07	\$1.00
72	Consult	Screw, cross pan head 000-0069-07	\$1.00
73	Consult	Spring washer 002-0480-00	\$1.00
74	Consult	Accessory, clamp, wire 022-7035-09	\$3.00
75	Consult	Base, cassette 075-5720-07	\$20.00
76	Consult	Nameplate, explanation 113-8367-01	\$69.00
77	Consult	Hex bolt 008-7015-00	\$1.00
78	Consult	Plus hex bolt 000-0337-05	\$1.00
79	Consult	Tape rejection 079-8657-05	\$8.00
80	Consult	Hex socket bolt 000-0191-09	\$1.00

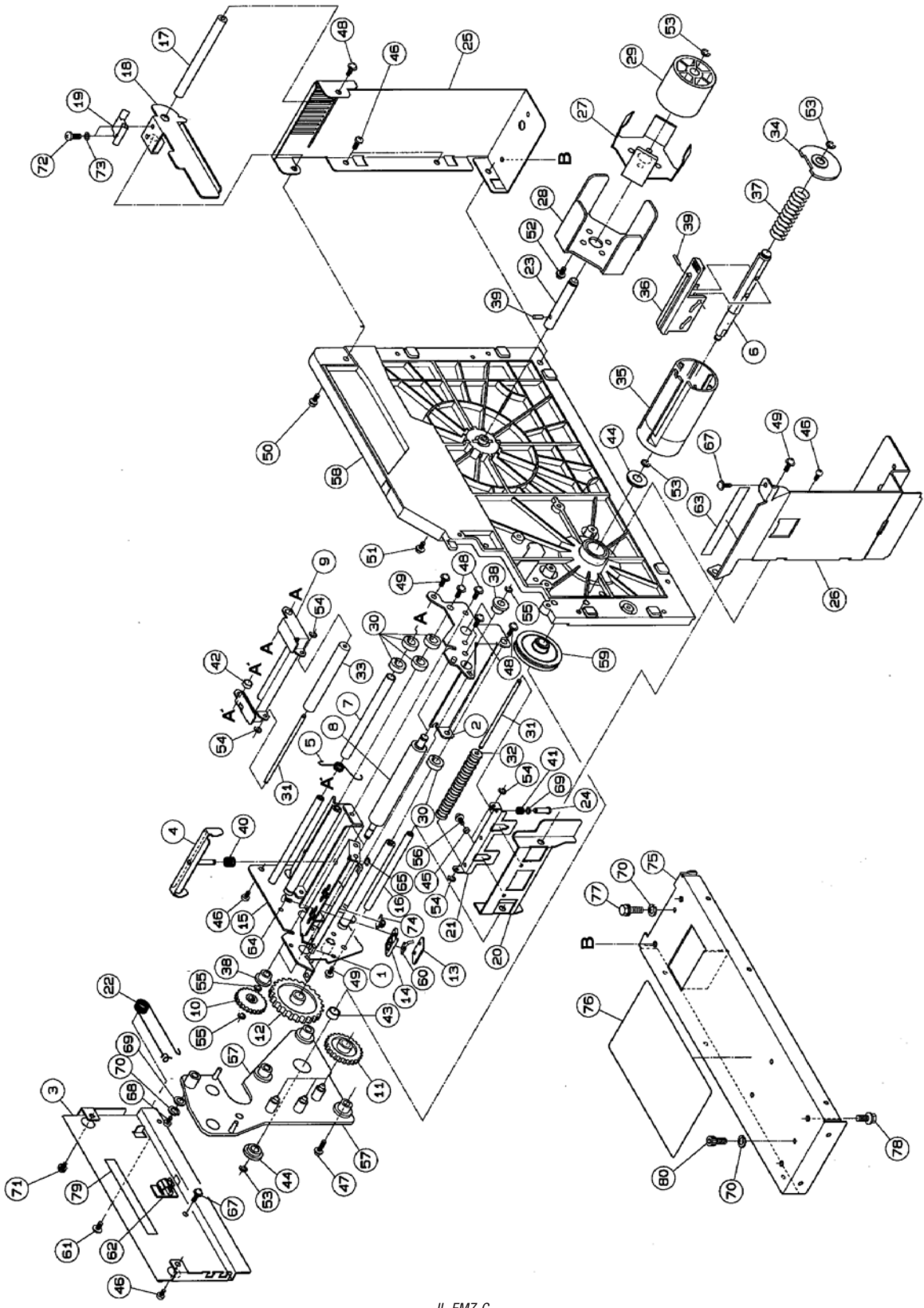
(Diagram IL-EMZ-C)

Parts not listed are no longer available. Some parts listed may not be available.

An ISO 9001 registered company © 2025 Rice Lake Weighing Systems Prices and specifications subject to change without notice. Visit [ricelake.com](http://ricelake.com) for current prices.

# IL-EMZ

Cassette Unit



IL-EMZ-C

Discontinued Scales

Parts not listed are no longer available. Some parts listed may not be available.

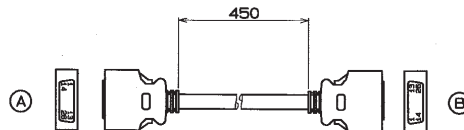
An ISO 9001 registered company ©2025 Rice Lake Weighing Systems Prices and specifications subject to change without notice. Visit [ricelake.com](http://ricelake.com) for current prices.



**Part Number/Price**

Ref#	Part#	Description	Price
E1	<b>98653</b>	PWB, P-910-R2, CPU board, 120-0298-14	\$1,003.00
E2	<b>Consult</b>	PWB, P-964, thermal printer board, 094-0243-28	\$443.00
E3	<b>Consult</b>	PWB, P-919-B3, display junction board, 101-1508-00	\$213.00
E4	<b>Consult</b>	PWB, P-918-A1, comms junction board, 069-6884-17	\$166.00
E5	<b>Consult</b>	Switch AS, power 109-5879-04	\$62.00
E7	<b>Consult</b>	Fuse holder AS 072-5374-28	\$12.00
E8	<b>Consult</b>	Harness, C3, power cord 114-6567-27	\$38.00
E9	<b>Consult</b>	Harness, S2, power 24V 072-8990-14	\$10.00
E10	<b>Consult</b>	Harness, C3, power DC 072-5382-46	\$16.00
E11	<b>Consult</b>	Harness, S2, power junction 063-8454-12	\$3.00
E12	<b>Consult</b>	Harness, C2, inverter junction 096-9769-09	\$11.00
E13	<b>Consult</b>	Harness, S2, RS-232C 096-9780-01	\$13.00
E14	<b>Consult</b>	Harness, S2, LCD1 072-5233-26	\$12.00
E15	<b>Consult</b>	Harness, S2, LCD2 072-5232-22	\$12.00
E16	<b>Consult</b>	Harness, C2, comm 072-5381-33	\$19.00
E17	<b>Consult</b>	Harness, C2, key 072-5378-22	\$10.00
E19	<b>Consult</b>	Sensor AS, head, 072-5385-38	\$23.00
E21	<b>Consult</b>	Sensor AS, label, receiver 074-0649-28	\$21.00
E22	<b>Consult</b>	Harness, C3, peel sensor 072-5380-02	\$13.00
E23	<b>Consult</b>	Harness, S2, thermal head 091-8799-01	\$25.00
E24	<b>Consult</b>	Keyboard AS,IL-EMZ 120-5588-03	\$325.00
E25	<b>87521</b>	Power supply, switching, 106-1434-04	\$346.00
E26	<b>87534</b>	Photo interrupter, trans, 064-5587-01	\$12.00
E27	<b>Consult</b>	Photo interrupter, trans, receive 066-4500-09	\$10.00
E28	<b>108946</b>	Printer, thermal, 068-0593-05	\$422.00
E29	<b>Consult</b>	Fuse capacity, glass tube, 8A, 250V 009-2449-01	\$3.00
E30	<b>Consult</b>	Connector, D sub, accessory 070-9748-09	\$3.00
E31	<b>Consult</b>	Connector, D sub, accessory 070-9749-02	\$2.00
E33	<b>Consult</b>	Harness,S2, ground 074-7114-19	\$5.00
E34	<b>Consult</b>	PWB, P-967, Ethernet junction board, 095-4469-06	\$21.00
E35	<b>Consult</b>	Harness, S2, ether 095-9479-01	\$29.00
E36	<b>Consult</b>	Filter, ferrite core, 048-2023-17	\$13.00
E37	<b>186416</b>	Filter, ferrite core, 074-0771-01	\$11.00
E38	<b>Consult</b>	Harness, C2, ground 096-9772-01	\$6.00
E39	<b>Consult</b>	Filter, noise, 096-9774-08	\$35.00
E60	<b>Consult</b>	Sensor AS, label, 072-5369-29	\$19.00
Accessory Parts			
8	<b>Consult</b>	Harness, S2, operation 074-0831-01	\$82.00
9	<b>Consult</b>	Harness, S2, ground wire 074-0547-03	\$4.00

(Diagram IL-EMZ-Wiring)



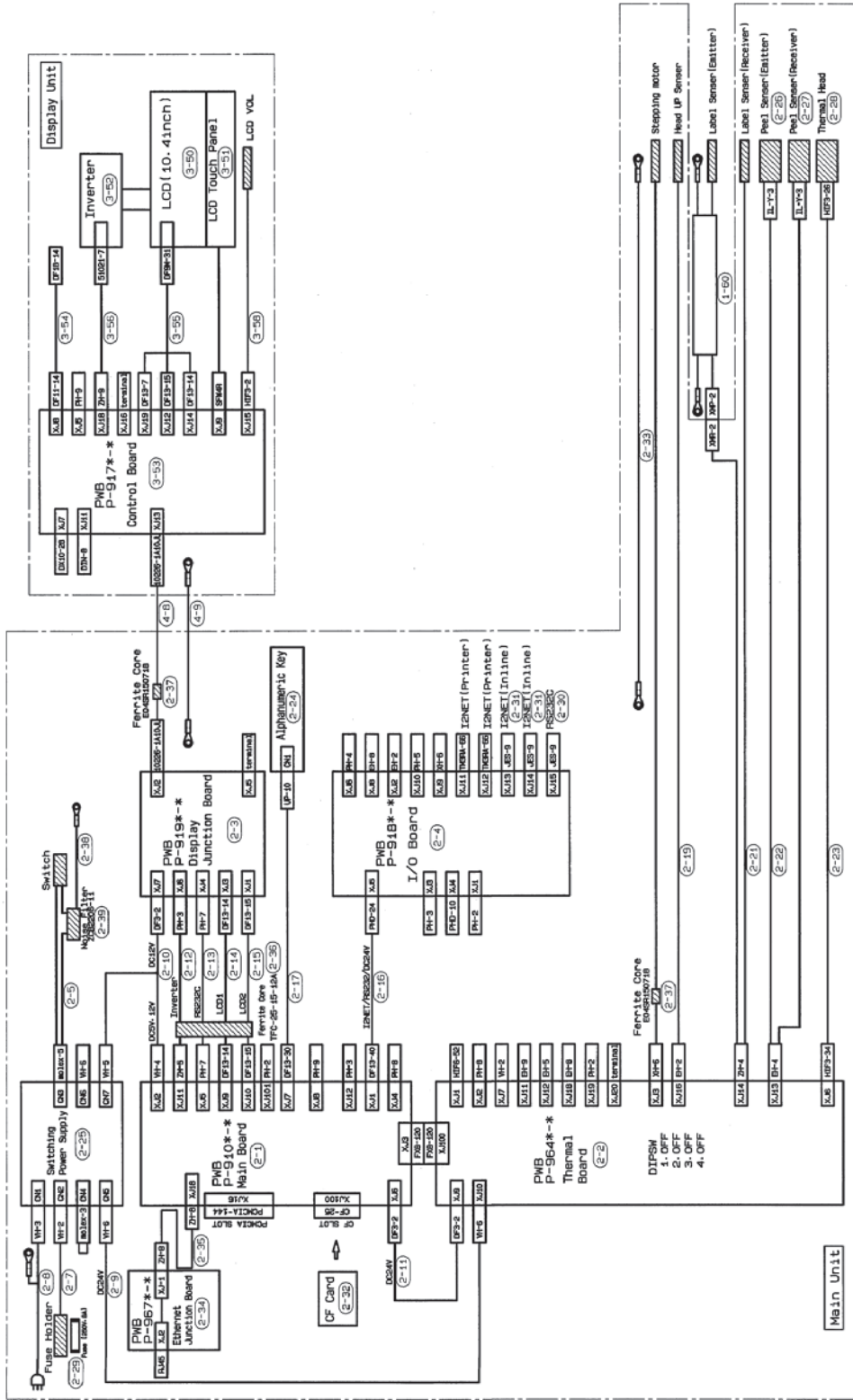
Ⓐ Ⓑ MDR CONNECTOR 26P (SUMITOMO 3M)

Parts not listed are no longer available. Some parts listed may not be available.

An ISO 9001 registered company © 2025 Rice Lake Weighing Systems Prices and specifications subject to change without notice. Visit ricelake.com for current prices.

# IL-EMZ

## Main Unit Electrical



### Legend

- 1: Cassette Unit
- 2: Main Unit
- 3: Display Unit
- 4: Accessory Parts (external)

IL-EMZ-WIRING

Parts not listed are no longer available. Some parts listed may not be available.

An ISO 9001 registered company ©2025 Rice Lake Weighing Systems Prices and specifications subject to change without notice. Visit ricelake.com for current prices.



# 24/7 EMERGENCY SUPPORT

Your service doesn't stop when the office is closed and neither does ours. **Simply call 800-472-6703 and press 1** to reach on-call personnel outside of our normal business hours for emergency support.

When you need help, rely on Rice Lake.  
We look forward to answering your call.



800-472-6703  
[www.ricelake.com](http://www.ricelake.com)

# Over 40,000 weighing products and 3 million parts distributed worldwide.

An ISO 9001 registered company



## **NORTH AMERICA**

**Corporate Headquarters**  
**Rice Lake, Wisconsin**

Jasper, Alabama  
Fernley, Nevada  
Seattle, Washington  
Concord, California  
Newtown, Connecticut  
Boston, Massachusetts  
Monterrey, Mexico

## **EUROPE**

Italy  
United Kingdom  
Netherlands  
France

## **ASIA**

China  
India

## **OCEANIA**

Australia

### **Extended Business Hours**

Monday through Friday from 6:30 a.m. to 6:30 p.m.  
Saturday from 8:00 a.m. to 12:00 p.m. Central Time

### **Emergency contact information**

Your service doesn't stop when the office is closed and neither does ours. Simply call 800-472-6703 and press 1 to reach on-call personnel outside of our normal business hours.

**RICE LAKE**<sup>®</sup>  
WEIGHING SYSTEMS

### **CORPORATE OFFICE**

230 W. Coleman Street, Rice Lake, WI 54868 • USA  
USA: 800-472-6703 Canada/Mexico: 800-321-6703  
Direct: 715-234-9171 Fax: 715-234-6967