

# Table of Contents

## Customer Assistance

CUSTOMER SERVICE CONTACTS	4
TRADEMARKS	6
TERMS AND CONDITIONS	7
WARRANTY AND LIMITATION OF LIABILITY	9

## Balances

TABLE OF CONTENTS	13
EQUIPOISE SERIES <i>Compact Balance</i>	14
TE SERIES <i>Tuning Fork Enhanced Balance</i>	16
TC SERIES <i>Tuning Fork Compact Balance</i>	18
TP SERIES <i>Tuning Fork Precision Balance</i>	20
TA PLUS <i>Tuning Fork Analytical Balance</i>	22

## Bench Scales

TABLE OF CONTENTS	25
RL-SEB <i>Bench Scales</i>	26
RL-MEB <i>Bench Scales</i>	28

## Calibration Weights

TABLE OF CONTENTS	31
CLASS M1 <i>Individual Weights, Cast Iron</i>	32
CLASS M1 <i>Individual Weights, Stainless Steel</i>	33
CLASS M1 <i>Individual Weights, Disk</i>	34
CLASS F1 <i>Individual Weights, Stainless Steel</i>	35
CLASS E2 <i>Individual Weights, Stainless Steel</i>	36
CLASS E1 <i>Individual Weights, Stainless Steel</i>	37
CLASS M1 <i>Weight Sets, Stainless Steel</i>	38
CLASS F1 <i>Weight Sets, Stainless Steel</i>	39
CLASS E2 <i>Weight Sets, Stainless Steel</i>	40
CIBE WEIGHTS <i>Cases and Accessories</i>	41

## Checkweighers

TABLE OF CONTENTS	43
CW-90 <i>Over/Under Checkweigher</i>	44
CW-90X <i>Over/Under Checkweigher Washdown</i>	46

## Crane Scales

TABLE OF CONTENTS	49
MSI-3460 CHALLENGER 3	50
MSI-4260 PORT-A-WEIGH	52
MSI-4260M PORT-A-WEIGH	54
MSI-4260 IS INTRINSICALLY SAFE CRANE SCALE PORT-A-WEIGH	56
MSI-4300 PORT-A-WEIGH PLUS	58
MSI-9300 PORT-A-WEIGH PLUS CELLSCALE™ RF	60
MSI-9300HT HI-TORQUE PORT-A-WEIGH PLUS CELLSCALE™ RF	62
MSI-6260CS TRANS-WEIGH CELLSCALE™ RF	64
MSI-7300 DYNA-LINK 2 <i>Digital Tension Dynamometer</i>	66
MSI DYNA-CLAMP <i>Tension Meter</i>	68

### RF TRANSCEIVERS

TRANSEND™ <i>Wireless Load Cell Interface System</i>	70
---	----

### REMOTE DISPLAY

MSI-8000 <i>RF Remote Display</i>	73
MSI-8004HD <i>Indicator/RF LED Remote Display</i>	74
MSI-8000HD <i>Indicator/Remote Display</i>	76
MSI-9020 CELLSCALE™ RF CELLMODEM	78

## Dimensioning

TABLE OF CONTENTS	79
iDIMENSION® PLUS <i>Static Dimensioning System</i>	80
iDIMENSION® PLUS XL <i>Static Dimensioning System</i>	82

## Dynamic Weighing

TABLE OF CONTENTS	85
BS143 <i>Medium to Heavy Capacity Belt Scale</i>	86
BS211 <i>Medium to Heavy Capacity Belt Scale</i>	87
BS221DB <i>Medium to Heavy Capacity Belt Scale</i>	88
BS311 <i>Medium to Heavy Capacity Belt Scale</i>	89
BS421 <i>Light Capacity Belt Scale</i>	90
BS611 <i>Light to Medium Capacity Belt Scale</i>	91
BS611HD <i>Medium Capacity Belt Scale</i>	92

SPU2160 <i>Speed Pickup</i>	93
SPU5020 <i>Speed Pickup</i>	94
SPU5026 <i>Speed Pickup</i>	95
SPU012P <i>Speed Pickup</i>	96
MASTER BULKSLIDE <i>Solids Flow Meter</i>	97
IFM30 <i>Impact Flow Meter System</i>	98
LOSS-IN-WEIGHT FLOW FEEDER	99
WS911 <i>Screw Weigher</i>	100
WEIGH BELT FEEDERS	101
882D BELT SCALE INTEGRATOR	102
920I® BELT SCALE INTEGRATOR	103
MASTER WE503 <i>Multi-Functional Weighing and Filling Programs</i>	104

## Floor Scales

TABLE OF CONTENTS	105
ROUGHDECK® HP <i>High Performance Low-Profile Floor Scale</i>	106
RL-MEF <i>Low-Profile Steel Floor Scale</i>	107
RL-SEF <i>Low-Profile Stainless Steel Floor Scale</i>	109

## Forklift/Pallet Jack Scales

TABLE OF CONTENTS	111
RL-HPJ <i>Hand Pallet Jack Scale</i>	112
RL-MFLS <i>Mobile Forklift Scale</i>	114
RL-MWF <i>Lift Truck Mobile Weighing Forks</i>	116

## Hanging Scales

TABLE OF CONTENTS	119
ON-SITE OS-10/OS-25/OS-45 <i>On-site Suspended Scale</i>	120

## Hardware

TABLE OF CONTENTS	121
EL147RP PLUS <i>Rodent Protection Cables</i>	122
HOSTILE ENVIRONMENT LOAD CELL CABLE	123
STANDARD LOAD CELL CABLE	123
EL147IS HAZARDOUS ENVIRONMENT BLUE JACKET CABLE	124
EL144 COMMUNICATIONS CABLE	124
BCD CABLE	124
SURVIVOR® EL620HE HIGH TEMPERATURE CABLE	125
FIBER-OPTIC CABLE	125

**SURVIVOR® CABLE ARMOR** ..... 125

**EL148HE REPLACEMENT METTLER TOLEDO® POWER CELL® CABLE** ..... 126

**CORD GRIP ASSEMBLIES** ..... 126

**EL214 CABLE SPLICING KIT** ..... 127

**EL214T CABLE SPLICING KIT** ..... 127

**EL215 CABLE SPLICING KIT** ..... 127

**FIVE-POSITION CONNECTORS, SHELL PLUGS, RECEPTACLES** ..... 128

**SEVEN-POSITION CONNECTORS, SHELL PLUGS, RECEPTACLES** ..... 128

**SIX-POSITION CONNECTORS, SHELL PLUGS, RECEPTACLES** ..... 128

**T-STRIP MOLDING** ..... 129

**T-GRIP MOLDING** ..... 129

## Indicators/Controllers

**TABLE OF CONTENTS** ..... 131

**CW-90 AND CW-90X** ..... 132  
*Checkweigher Indicator Only*

**480/480 PLUS LEGEND™ SERIES** ..... 134  
*Digital Weight Indicator*

**482/482 PLUS LEGEND™ SERIES** ..... 136  
*Digital Weight Indicator*

**680 SYNERGY SERIES** ..... 138  
*Digital Weight Indicator*

**880/880 PLUS PERFORMANCE™ SERIES** ..... 140  
*Programmable Digital Weight Indicator/Controller*

**920i® SERIES** ..... 143  
*Programmable Weight Indicator/Controller*

**1280 ENTERPRISE™ SERIES** ..... 148  
*Programmable Color Touchscreen Weight Indicator/Controller*

**920i® USER PROGRAMS** ..... 153

**920i® FLEXWEIGH SYSTEMS** ..... 154  
*Fillers/Batchers*

**920i® FLEXWEIGH SYSTEMS** ..... 156  
*Bulkweighers*

**920i® FLEXWEIGH SYSTEMS** ..... 157  
*Flow Rate Controllers*

**920i® FLEXWEIGH SYSTEMS** ..... 157  
*Hand Batching*

**MSI-8000** ..... 159  
*RF Remote Display*

**MSI-8000HD** ..... 160  
*Digital Weight Indicator*

**MSI-8004HD** ..... 162  
*Indicator/RF LED Remote Display*

**882D BELT SCALE INTEGRATOR** ..... 164

**SCT-1100 AND SCT-2200** ..... 166  
*Signal Conditioning Transmitter/Indicator*

**SCT-3300** ..... 167  
*Signal Conditioning Transmitter/Indicator*

**SCT-100** ..... 170  
*Digital Weight Indicator*

**RLT-200** ..... 171  
*Digital Weight Indicator*

**RLT-300** ..... 172  
*Digital Weight Indicator*

**RLT-400** ..... 173  
*Digital Weight Indicator*

**COUNTERPART®** ..... 174

*Configurable Counting Indicator*

**RELAYS AND RACKS** ..... 176

**GRAYHILL RELAYS AND RACKS** ..... 176

**882IS/882IS PLUS** ..... 178  
*Intrinsically Safe Digital Weight Indicator*

**PROTOCOL CARDS**

**PROFIBUS® DP INTERFACE** ..... 180  
*720i™/820i®/920i®*

**PROFINET IO INTERFACE** ..... 180  
*920i®*

**ETHERNET/IP® INTERFACE** ..... 181  
*720i™/820i®/920i®*

**ETHERNET TCP/IP INTERFACE** ..... 181  
*720i™/820i®/920i®*

**PROFIBUS® DP INTERFACE** ..... 182  
*880/1280™*

**PROFINET® INTERFACE** ..... 182  
*880/1280™*

**ETHERNET/IP® INTERFACE** ..... 183  
*880/1280™*

**MODBUS-TCP® INTERFACE** ..... 183  
*880/1280™*

**RF TRANSCEIVERS**

**TRANSEND™** ..... 185  
*Wireless Load Cell Interface System*

**INDUSTRIAL BROADBAND WIRELESS ETHERNET** ..... 188

**INDUSTRIAL CONTROL PRODUCTS**

**TRIPP-LITE USB TO SERIAL CONVERTERS** ..... 189  
*Serial Adapters*

**AMPHENOL® RJF 544** ..... 190  
*Harsh Environment Ethernet Connection System*

**ABLECABLE®** ..... 191  
*RS 232/USB Serial Smart Cable Direct, Keyboard Input Direct*

**GO-BETWEEN** ..... 192  
*Data Capture and Storage*

## Junction Boxes/Simulators

**TABLE OF CONTENTS** ..... 195

**JBSS** ..... 196  
*One-Cell Junction Box*

**JBW** ..... 197  
*Dual-Cell Junction Box*

**JBSA** ..... 197  
*One-Cell Junction Box*

**JBL** ..... 198  
*Four-Cell Junction Box*

**JBLJ** ..... 198  
*Four-Cell Junction Box*

**JBLA** ..... 199  
*Four-Cell Junction Box, ATEX Approved*

**JBLSA** ..... 199  
*Four-Cell Junction Box*

**EL168** ..... 200  
*One-Cell Junction Box*

**JB4SS** ..... 201  
*TuffSeal® Signal Trim Junction Box*

**JB4ES** ..... 202  
*TuffSeal® Excitation Trim Junction Box*

**JB4SP AND JB4SPT** ..... 203  
*TuffSeal® Signal Trim Junction Box*

**JB4EP AND JB4EPT** ..... 204  
*TuffSeal® Excitation Trim Junction Box*

**EL204** ..... 205  
*Signal Trim Junction Box*

**EL304A** ..... 206  
*Signal Trim Junction Box*

**EL504** ..... 207  
*Signal Trim Junction Box*

**JB8SP** ..... 208  
*TuffSeal® Signal Trim Junction Box*

**JB8SPT** ..... 209  
*TuffSeal® Signal Trim Junction Box*

**JB1010T** ..... 210  
*Signal/Excitation Trim Junction Box with Transient Protection*

**JB1010ST** ..... 211  
*Signal Trim Junction Box with Transient Protection*

**IQUBE 2®** ..... 212  
*Digital Diagnostic Junction Box*

**RANGER 1** ..... 215

**RANGER 3** ..... 216

**TRANSDUCER SIMULATOR 4** ..... 216

**RANGER 5** ..... 217

**RANGER 7** ..... 217

## Load Cells/Weigh Modules

**TABLE OF CONTENTS** ..... 219

**SINGLE-ENDED BEAM**

**RL35** ..... 221  
*Alloy or Stainless Steel, Hermetically Sealed, OIML C3, IP66 or IP68/IP69K*

**RL1415** ..... 222  
*Stainless Steel, Hermetically Sealed, C3, IP68*

**RL1425** ..... 223  
*Stainless Steel, Hermetically Sealed, C3, IP68*

**RL1434** ..... 224  
*Stainless Steel, Hermetically Sealed, C3, IP67*

**RL1443** ..... 225  
*Alloy Steel, Environmentally Sealed, C3, IP67*

**RL1444** ..... 226  
*Stainless Steel, Environmentally Sealed, C3, IP67*

**RL1436** ..... 227  
*Stainless Steel, Hermetically Sealed, C3, IP69K*

**RL1454** ..... 228  
*Stainless Steel, Welded Seal, C3/C4, IP67*

**RL1464** ..... 229  
*Stainless Steel, Welded Seal, C3/C4, IP67*

**RL1465** ..... 230  
*Stainless Steel, Welded Seal, C3/C4, IP68*

**RL1515** ..... 231  
*Stainless Steel, Welded Seal, C3, IP68*

**RL1525** ..... 232  
*Stainless Steel, Welded Seal, C3, IP68*

**RL1535** ..... 233  
*Stainless Steel, Welded Seal, C3, IP68*

**BENDING BEAM**

**RL30** ..... 234  
*Stainless Steel, Welded Seal, OIML C3, IP68/IP69K*

## DOUBLE-ENDED BEAM

<b>RL46</b> .....	<b>235</b>
<i>Stainless Steel, Hermetically Sealed, OIML C3, IP68</i>	
<b>RL92</b> .....	<b>236</b>
<i>Stainless Steel, Welded Seal, C3/C4/C5, IP67</i>	
<b>RL93</b> .....	<b>237</b>
<i>Stainless Steel, Welded Seal, C3/C4/C5/C6, IP67</i>	
<b>RL94</b> .....	<b>238</b>
<i>Stainless Steel, Welded Seal, C3, IP67</i>	

## SINGLE-POINT

<b>RL19</b> .....	<b>239</b>
<i>Stainless Steel, Hermetically Sealed, OIML C3, IP68/IP69K</i>	
<b>RL4413/RL4423</b> .....	<b>240</b>
<i>Alloy Steel, Environmentally Sealed, C3/C4/C5/C6, IP67</i>	
<b>RL4434</b> .....	<b>241</b>
<i>Stainless Steel, Environmentally Sealed, C6, IP67</i>	
<b>RL4435</b> .....	<b>242</b>
<i>Stainless Steel, Environmentally Sealed, C6, IP68</i>	
<b>RL4444</b> .....	<b>243</b>
<i>Stainless Steel, Environmentally Sealed, C3/C4, IP67</i>	
<b>RL4454</b> .....	<b>244</b>
<i>Stainless Steel, Environmentally Sealed, C3/C4, IP67</i>	
<b>RL4521</b> .....	<b>245</b>
<i>Aluminum, Environmentally Sealed, IP67</i>	
<b>RL4511</b> .....	<b>246</b>
<i>Aluminum, Environmentally Sealed, IP67</i>	
<b>RL4534</b> .....	<b>247</b>
<i>Stainless Steel, Potted, IP67</i>	

## S-BEAM

<b>RL65</b> .....	<b>248</b>
<i>Stainless Steel, Welded Seal, C3, IP68</i>	
<b>RL3413</b> .....	<b>249</b>
<i>Alloy Steel, Welded Seal, C3/C4/C5/C6, IP67</i>	
<b>RL3414</b> .....	<b>250</b>
<i>Stainless Steel, Welded Seal, C3/C4/C5/C6, IP67</i>	
<b>RL3423</b> .....	<b>251</b>
<i>Alloy Steel, Welded Seal, C3/C4, IP67</i>	
<b>RL3424</b> .....	<b>252</b>
<i>Stainless Steel, Welded Seal, C4, IP68</i>	
<b>RL3433</b> .....	<b>253</b>
<i>Alloy Steel, Welded Seal, C3/C4, IP67</i>	
<b>RL3434</b> .....	<b>254</b>
<i>Stainless Steel, Welded Seal, C4, IP67</i>	

## COMPRESSION CANISTER

<b>RL42</b> .....	<b>255</b>
<i>Stainless Steel, Hermetically Sealed, C1, IP68</i>	
<b>RL74</b> .....	<b>256</b>
<i>Stainless Steel, Hermetically Sealed, OIML C1/C4, IP68/IP69K</i>	
<b>RL96</b> .....	<b>257</b>
<i>Stainless Steel, Welded Seal, C3/C4, IP69K</i>	
<b>RL97</b> .....	<b>258</b>
<i>Stainless Steel, Welded Seal, C3/C4, IP69K</i>	
<b>RL98</b> .....	<b>259</b>
<i>Stainless Steel, Welded Seal, C3/C4, IP69K</i>	
<b>RL5416</b> .....	<b>260</b>
<i>Stainless Steel, Welded Seal, OIML C4, IP69K</i>	
<b>RL5416D</b> .....	<b>261</b>
<i>Digital Stainless Steel, Hermetically Sealed, C4, IP69K</i>	
<b>RL5416DC</b> .....	<b>262</b>
<i>Digital Stainless Steel, Hermetically Sealed, C4, IP68</i>	
<b>RL5426</b> .....	<b>263</b>
<i>Stainless Steel, Hermetically Sealed, OIML C6, IP69K</i>	
<b>RL5426D</b> .....	<b>264</b>
<i>Digital, Stainless Steel, Hermetically Sealed, C6, IP69K</i>	
<b>RL5426DC</b> .....	<b>265</b>
<i>Digital, Stainless Steel, Hermetically Sealed, C6, IP68</i>	

## COMPRESSION DISK

<b>RL6515</b> .....	<b>266</b>
<i>Stainless Steel, Welded Seal, IP68</i>	

## SENSORS

<b>MSI-LOAD PIN SENSORS</b> .....	<b>267</b>
<b>MSI-LOAD PIN QUESTIONNAIRE</b> .....	<b>268</b>

## WEIGH MODULES WITHOUT LOAD CELLS

<b>RL30</b> .....	<b>270</b>
<i>Small to Medium Capacity</i>	
<b>RL35</b> .....	<b>272</b>
<i>Mount Options, Small to Light Capacity</i>	
<b>RL42</b> .....	<b>275</b>
<i>Silo Mount, Small to Medium Capacity</i>	
<b>RL46</b> .....	<b>276</b>
<i>Medium to Heavy Capacity, Alloy or Stainless Steel</i>	
<b>RL74</b> .....	<b>278</b>
<i>Options for Silo Weighing</i>	
<b>RL921 (TETON TOP)</b> .....	<b>280</b>
<i>Mount Tank, Hopper and Vessel Weighing, Nickel or Stainless Steel</i>	
<b>RL923 (BALL MOUNT TOP)</b> .....	<b>281</b>
<i>Mount Tank, Hopper and Vessel Weighing, Nickel or Stainless Steel</i>	
<b>RL931 (ROUND TOP)</b> .....	<b>282</b>
<b>RL933 (BALL ROUND TOP)</b> .....	<b>282</b>
<i>Medium to Heavy Capacity</i>	
<b>RL932 (SQUARE TOP)</b> .....	<b>283</b>
<i>Medium to Heavy Capacity</i>	
<b>RL942</b> .....	<b>284</b>
<i>Mount Tank, Hopper and Vessel Weighing</i>	
<b>RL964</b> .....	<b>285</b>
<i>Heavy Capacity Pendulum Mount Tank, Hopper and Vessel Weighing</i>	
<b>RL972</b> .....	<b>286</b>
<i>Heavy Capacity, Square Top</i>	
<b>RL981</b> .....	<b>288</b>
<i>Heavy Capacity</i>	
<b>FLINTEC 52-18</b> .....	<b>289</b>
<i>Medium to Heavy Capacity</i>	
<b>RL1515/RL1525</b> .....	<b>290</b>
<b>RL1535</b> .....	<b>291</b>
<i>Nickel-plated/Stainless Steel</i>	

## WEIGH MODULES WITH LOAD CELLS

<b>PARAMOUNTS® EP</b> .....	<b>292</b>
<i>Environmentally Protected, Mild Steel, Light to Medium Capacity Tank Weighing Systems</i>	
<b>PARAMOUNTS® EP</b>	
<b>RL9000TWM SERIES</b> .....	<b>294</b>
<i>Tank, Hopper and Vessel Weighing Assembly</i>	
<b>RL9000TWM-HT</b> .....	<b>298</b>
<i>Tank, Hopper and Vessel Weigh Module</i>	
<b>EZ MOUNT 1</b> .....	<b>300</b>
<i>Mild Steel Weigh Modules</i>	
<b>EZ MOUNT 1</b> .....	<b>302</b>
<i>Stainless Steel Weigh Modules</i>	
<b>RL1600 SERIES</b> .....	<b>304</b>
<i>Cast Iron Weigh Modules</i>	
<b>RL1600 SERIES</b> .....	<b>306</b>
<i>Mild Steel Weigh Modules</i>	
<b>RL1600 SERIES</b> .....	<b>308</b>
<i>Stainless Steel Weigh Modules</i>	
<b>MOTOR TRUCK SCALE ELECTRONIC CONVERSION KIT</b> .....	<b>310</b>

## Portable Vehicle Scales

<b>TABLE OF CONTENTS</b> .....	<b>313</b>
<b>LOAD RANGER</b> .....	<b>314</b>
<i>Wireless Wheel Pad Scale</i>	

## Printers

<b>TABLE OF CONTENTS</b> .....	<b>317</b>
<b>RICE LAKE GUARDIAN™</b> .....	<b>318</b>
<i>Stainless Steel Printer Enclosure</i>	
<b>RICE LAKE GUARDIAN G-2™</b> .....	<b>318</b>
<i>Steel Printer Enclosure</i>	
<b>LP542S</b> .....	<b>319</b>
<i>Direct Thermal Labeler</i>	

## Software

<b>TABLE OF CONTENTS</b> .....	<b>321</b>
<b>INTERCHANGE</b> .....	<b>322</b>
<i>920®/1280 Database Management Software</i>	
<b>ONTRAK®</b> .....	<b>324</b>
<i>Truck Data Management Software</i>	
<b>WEIGHVAULT®</b> .....	<b>326</b>

# Customer Service Contacts

At Rice Lake Weighing Systems we strive to give you the best customer service in the industry. You can depend on our knowledgeable staff to deliver decisive, courteous assistance when you need it most.

Customer Service Representative Hours (CST):

Monday through Friday 8:00AM to 5:30PM Central European Time

## International Field Sales



**Manuel Talancon**  
International Sales  
Director



**Martin Devilla**  
Rice Lake de Mexico  
715-434-5258



**Jose Mathew**  
Middle East/Asia/Africa  
715-434-5048



**Jaap Oosterlee**  
Europe  
715-434-5816



**Frank Da Silva**  
Central/South America  
715-736-6498



**Alan Mostowfi**  
Middle East  
+39 344 2532967



**Phil Maillols**  
Oceania Territory  
+61 45 144 1755



**Marco Casolari**  
Northern Europe  
+39 329 6499997



**Steve Cox**  
England/Ireland  
+44 07716 329 580



**Luca Prampolini**  
Spain/Portugal  
+39 344 2528841



**Andrea Mazzone**  
Italy  
+39 377 1697446



**Stefano Ferli**  
Italy  
+39 351 273 1978



**Vitaliy Domalchuk**  
Central Europe/Russia  
+39 344 2686947  
+49 174 3048927



**Alessio Balatti**  
France  
+39 344 2528126



**Philippe Chikh**  
France  
+33 613 028 310



**Alessandro Mattioli**  
China  
+86-21-66314055



**Massimo Zanotti**  
Africa  
+39 348 8707493

# Customer Service Contacts Continued

At Rice Lake Weighing Systems we strive to give you the best customer service in the industry. You can depend on our knowledgeable staff to deliver decisive, courteous assistance when you need it most.

Corporate Office Customer Service Hours (Central Standard Time):  
Monday through Friday 6:30 AM to 6:30 PM; Saturday 8:00 AM to Noon

## Customer Relations



**Mark O. Johnson**  
Chief Executive Officer



**Mark Johnson, Jr.**  
President



**Steve Parkman**  
Chief Operating Officer



**Nick Peterson**  
Chief Financial Officer



**Joe Grell**  
Vice President Heavy Capacity



**Steve Hersman**  
Vice President of Global Sales



**Tom Kowalski**  
Vice President of Technology



**Patrick Ranfranz**  
Director of Marketing



**Tom Guest**  
Sales Resource Manager



**Tim Donahue**  
Senior Manager, Product Management



**Guru Ganesh**  
Managing Director, India



**Walter Hendriks**  
Managing Director, Europe



**Dominic Hodkiewicz**  
Vice President of Manufacturing



**Kevin Marshall**  
Logistics Manager



**Jim Norvid**  
Director of Mechanical Engineering



**Brandi Harder**  
Quality Manager



**Massimo Corrandini**  
General Manager  
Modena, Italy



**Enrico Tosi**  
Chief Financial Officer  
Modena, Italy

## International Sales Support



**Peter Allen**  
Export Customer Service Supervisor



**Jennifer Krahenbuhl**



**Gloria Miranda**  
Habla Español



**Bobbie Stiver**  
Habla Español  
Parle Français

# Trademarks

The following product names, logos, brands and other trademarks featured or referred to within this publication are the property of their respective trademark holders.

Access™	Flintec™	Novell®	SUREFOOT™
Adventure Pro®	Genius®	OHAUS®	Symbol®
Allen-Bradley®	Hewlett-Packard™	OKI®	TekLynx®
Amphenol®	Howe™	Pax®	Toledo®
AstraLabel™	IBM®	pcANYWHERE®	Torque™
AstraLink™	InCal™	Peachtree®	TRANSCORE®
AutoCal™	Intel®	Pioneer™	Trooper®
Beldfoil®	Interchange®	PowerCell®	Turck®
Bitstream®	Intercomp CS™	Powerware®	Valor®
Bluetooth®	Intercomp PT300DW™	PreVent™	Voyager®
Cardinal®	Intercomp PT300™	Prodigy Max™	Vulcan®
Cent-O-Gram®	IONMASTER™	Prodigy™	WinCT®
Centronics®	iPAQ™	Profibus®	Windows®
Citizen®	ISOBAR®	ProPrinter®	WinWedge®
ConnexLink™	ISOBLOK®	Quencharc®	Xscale®
ControlNet®	JavaPOS™	Quickbooks®	XTend-PKG™
Conxall®	LabelView™	QuickScan®	Zebra®
CRS™	LifeGuard™	QuikSharp™	ZigBee™
Cubis®	Linux®	R Stahl®	ZPL®
Datalogic QuickScan®	LoopTracker™	Ranger™	
Datamax-O'Neil®	Lotus™	Rapid Exchange®	
DeviceNet™	Maxi-Scoop™	Rockwell Automation®	
Dial-O-Gram®	MaxWax™	Roman and Swiss™	
DIGI®	Microline®	S4M™	
Discovery™	Microsoft®	Sartorius®	
Dymo®	Midrics®	Scout Pro®	
EPL®	MIFARE®	SI®	
EPL2®	Minebea Intec	STAR®	
EPSON®	Mobile 5.0™	The Crosby Group LLC	
ESC/POS®	Motiontrap™		
Excel™	Motorola ColdFire®		
Explorer®	MS-DOS™		
Fairbanks™	NatraSorb®		

The terms “buyer,” “authorized reseller,” and “customer” as used herein, shall mean the party placing the purchase order with Rice Lake Weighing Systems. No contractual relationship between Rice Lake Weighing Systems and said party shall arise until such time as a purchase order has been accepted by Rice Lake Weighing Systems and such acceptance has been indicated on a written acknowledgment. Tenders which do not stipulate an acceptance period shall not be binding. Orders shall be subject to Rice Lake Weighing Systems’ standard terms and conditions as printed below, subject to correction for clerical errors.

These sales terms and conditions shall be binding if declared applicable in the tender or in the order acknowledgement. Any conditions stipulated by the buyer which are in contradiction to these sales terms and conditions shall only be valid if expressly acknowledged by Rice Lake Weighing Systems in writing.

## 1. Prices

(a) Rice Lake Weighing Systems (Rice Lake) prices are net 30 days Ex Works Rice Lake plant. Orders are subject to approval of our credit department with rights reserved to change or withdraw credit terms without notice and to terminate any orders when invoices for work done thereon have gone unpaid for 60 days.

(b) Prices do not include taxes of any kind by federal, state, municipality or other governmental authority, which Rice Lake may be required to collect or pay with respect to the sale or shipment of goods sold hereunder. Regardless of when any such taxes are determined or become payable, all taxes would be the responsibility of the customer and would be in addition to the prices quoted hereon.

(c) This quotation is made upon the basis of the cost of materials and labor as of the date of this quotation. A change in such costs shall give Rice Lake the right to alter prices to reflect such changes in cost.

(d) Requests for additional documentation, drawings, audits of factories or inspection of equipment in-process, additional testing, additional inspections and record retention will be quoted as a separate item even if we have already issued quotations for products and services.

## 2. Shipment, Title, Risk of Loss

(a) All shipments are Ex Works point of shipment. Title and risk of loss or damage passes to the customer upon presentation of the goods to the customer’s carrier at Rice Lake’s facility, except that title and risk of loss or damage as to customer’s partially manufactured parts and raw materials delivered to Rice Lake, and as to jigs, fixtures and tools specially ordered for the customer shall at all times remain with the customer.

(b) Rice Lake does not carry fire insurance upon jigs, fixtures and tooling built by Rice Lake for customers or supplied to Rice Lake by customers, nor does Rice Lake carry insurance upon raw materials supplied to Rice Lake by customers. Customers assume all risk of loss, damage or destruction of jigs, fixtures, tooling or raw materials belonging to the customer in Rice Lake custody caused by fire, water, gas, natural disasters, strikes, insurrection, riots or by acts of the civil or military authorities and whether or not such loss, damage or destruction was the result of our negligence or misconduct or that of our agents or employees. The customer agrees to indemnify and hold Rice Lake harmless from all direct and consequential costs and damages resulting from such loss.

An ISO 9001 Registered Company ©2020 Rice Lake Weighing Systems 4/20 Prices and specifications subject to change without notice. Visit [ricelake.com/global](http://ricelake.com/global) for current prices.

(c) Except as hereinabove stated, we agree to maintain all jigs, fixtures and tooling built by Rice Lake in working condition for their normal life only, except that our liability in this respect shall not extend more than one year after the completion of the most recent production order.

## 3. Quantity, Materials and Tolerances

(a) Unless dimensions are limited by a specific tolerance, it is understood that the production variations as published by Rice Lake will be acceptable.

(b) Rice Lake will not be responsible for color, thickness variations, or flaws in sheets or parts from which fabrications are made, nor for other material variations beyond our control.

(c) Rice Lake assumes no responsibility for loss or damage occurring by reason of delay or inability to deliver caused by fires, strikes, accidents, embargoes, car shortages, delays of carriers, insurrection, riots, acts of the civil or military authorities, nor will we assume responsibility for any reason whatever for damages of any kind on account of failure to deliver at the time specified. The customer shall indemnify and hold Rice Lake harmless from all direct and consequential costs and damages resulting from such loss or delay.

(d) Unless otherwise specified, delivery of 10 percent more or less of completed parts than the quantity specified shall constitute fulfillment of this order and any excess not exceeding 10 percent shall be accepted and paid for by the customer.

(e) In the event any raw material specified for incorporation into the product covered by this proposal shall become unavailable, Rice Lake shall notify the customer and the customer may direct Rice Lake to substitute available material for that originally specified; it being understood and agreed that the customer shall assume any and all consequences resulting from such substitution.

## 4. Patents

If this quotation covers parts made specifically for the customer, the customer agrees to indemnify and hold Rice Lake harmless against any loss resulting from infringement of patents or trademarks, or from claims of such infringements and shall pay all legal and defense costs incurred by Rice Lake in the defense of such actions.

## 5. Software

Unless specifically otherwise stated, any and all software associated or part of any product sold, loaned on trial or demonstration to the customer is to be considered proprietary to Rice Lake. The customer agrees not to duplicate for distribution or to sell or distribute in any way without the prior written consent of Rice Lake.

## 6. Changes and Cancellation: Rejection, Claims

(a) Orders placed with Rice Lake are not subject to cancellation, change or reduction in amount or suspension of deliveries except with Rice Lake’s consent and upon terms that indemnify Rice Lake against loss. Unless confirmed in writing, all verbal agreements are void.

(b) Rice Lake will not be responsible for changes in design, deliveries or other instructions, unless they are furnished in writing. The customer agrees to pay for all tooling charges caused by changes in design or specifications.

# Terms and Conditions

(c) Samples submitted shall be deemed approved unless written rejection is received within two weeks of submission.

(d) Manufactured parts will be shipped and billed as they are produced.

(e) Claims for shortage or rejections for defects must be made within 10 days of receipt of goods. Credit will be rendered on such defective parts after we have had an opportunity to inspect them, provided they are returned to our factory, transportation charges prepaid, within 30 days, and provided they have not been altered or defaced in any way.

## 7. Tooling and Designing

(a) In consideration of the engineering service necessary in the designing of jigs, fixtures and tooling not being charged for, but being quoted on the basis of labor and material only, and not at their fair market value, such jigs, fixtures and tooling shall remain in our possession for at least one year. Thereafter, the customer desiring delivery of such jigs, fixtures and tooling shall pay an engineering charge of 50 percent of the original price of said jigs, fixtures and tooling and accept same as-is.

(b) When requested, we will submit suggestions concerning design and construction of parts, but we will not accept responsibility of liability for the practicability of these suggestions if adopted by the customer.

## 8. Delivery and Adjustment to Price

(a) If the customer requests that the goods be manufactured and shipped on a date (or dates) earlier than originally agreed to by Rice Lake and the customer, and Rice Lake agrees to by Rice Lake and the customer, any increase in the cost of performance incurred by Rice Lake resulting from earlier manufacture and shipment will be included in an adjustment of the purchase price to be made by Rice Lake and will be paid by the customer.

(b) Should shipments be held beyond scheduled date for convenience of the customer, goods will be billed and charges will be made for warehousing, trucking and other expenses incident to such delay. Reasonable and sufficient care is taken by Rice Lake in crating its goods. Rice Lake cannot be held responsible for breakage after having received "in-good-order" receipts from the transportation carrier. All claim for loss and damage must be made by the customer to the carrier, but we will assist insofar as practical in securing satisfactory adjustment of such claims.

## 9. Payment and Liens

(a) All invoices shall be due and payable when submitted for payment in accordance with the revisions of Rice Lake terms. No withholding of funds, back charges or credits against amounts otherwise due to Rice Lake will be permitted unless specifically agreed to in writing by Rice Lake. Settlement of any amounts due to the customer will be negotiated as separate items and not as offsets against amounts otherwise due to Rice Lake from the customer for products sold hereunder.

(b) Any unpaid account for work done shall constitute a lien on any jigs, fixtures, manufactured parts and raw materials in Rice Lake possession. In the event any account remains open and unpaid for 90 days, Rice Lake reserves the right to use the customer's jigs and fixtures to make parts therefrom, and to sell or dispose of manufactured parts and raw materials.

(c) The customer shall not assign or transfer any rights or obligations arising from this proposal, or monies payable thereunder, without the prior written consent of Rice Lake, and any such assignment or transfer made without such written consent shall be deemed null and void.

## 10. Additional Provisions

(a) Errors—stenographic and clerical errors are subject to correction.

(b) These terms and conditions constitute the entire contract between the customer and Rice Lake, transcending any oral arrangements or representations which may be inconsistent therewith.

(c) This quotation is made under and shall be governed by the laws of the state of Wisconsin.

## 11. Resale of Rice Lake Weighing Systems Products

In order to ensure compliance with the U.S. Export Administration Regulations we ask you to comply with the following:

(a) The customer shall not export or re-export Rice Lake Weighing Systems products, either directly or indirectly, in contravention of any applicable law, statute or regulation and will first obtain any required licenses or authorizations from the relevant government authority when necessary as prescribed by law.

(b) The customer confirms that it is familiar with and complies with the relevant national and international export control regulations and embargo regulations. The customer furthermore confirms that it is in particular familiar with and complies with the U.S. Department of Commerce, Export Administration Regulations; U.S. Department of Treasury, OFAC Sanctions; the U.S. Department of Defense, ITAR requirements and the U.S. Department of State regulations.

(c) If deemed necessary, Rice Lake Weighing Systems, in individual cases may make further requests from the customer for information required for export compliance.

(d) Should it be necessary for the customer to obtain an export license from the appropriate authorities pursuant to the aforementioned regulations, the customer shall apply for such a license autonomously and at their own expense.

**The foregoing warranties are exclusive and in lieu of all other express and implied warranties whatsoever, including but not limited to implied warranties of merchantability and fitness for a particular purpose. Rice Lake shall not be subject to any other obligations or liabilities whatsoever with respect to parts manufactured or supplied by Rice Lake or services rendered by it.**

**Anything herein to the contrary notwithstanding, Rice Lake shall not be liable for incidental and consequential damages, and in substitution for all remedies which the customer may have under any applicable law. The customer's sole and exclusive remedy against Rice Lake for any breach of warranty or any other breach relating to goods delivered pursuant hereto shall be for repair or replacement (at Rice Lake's option) of the goods or parts effected by such breach.**

# Warranty and Limitation of Liability

## Warranties

### Standard Product Limited Warranty

Rice Lake Weighing Systems (Rice Lake) warrants that all Rice Lake brand equipment and systems properly installed by an Authorized Reseller or original equipment manufacturer (OEM) will operate per written specifications as confirmed by the authorized reseller/OEM and accepted by Rice Lake. All systems and components are warranted against defects in materials and workmanship for one (1) year from the date of shipment from Rice Lake, unless otherwise stated in the product catalog or manual. Rice Lake warrants that the equipment sold here under will conform to the current written specifications authorized by Rice Lake. Rice Lake warrants the equipment against faulty workmanship and defective materials. If any equipment fails to conform to these warranties, **Rice Lake will, at its option, repair or replace such goods returned within the warranty period subject to the following conditions:**

Upon discovery by the Customer of such nonconformity, Rice Lake will be given prompt written notice with a detailed explanation of the alleged deficiencies.

Individual electronic components returned to Rice Lake for warranty purposes must be packaged to prevent electrostatic discharge (ESD) damage in shipment. Packaging requirements are listed in the publication, "Protecting Your Components From Static Damage in Shipment," available from the Rice Lake Equipment Return Department.

Examination of such equipment by Rice Lake confirms that the non-conformity actually exists, and was not caused by accident, misuse, neglect, alteration, improper installation, improper repair, or improper testing. Rice Lake shall be the sole judge of all alleged non-conformities.

Such equipment has not been modified, altered, or changed by any person other than Rice Lake or its duly authorized repair agents.

Cutting the load cell cable will void the warranty.

Rice Lake will have a reasonable time to repair or replace the defective equipment. The Customer is responsible for shipping the product to Rice Lake. Rice Lake is responsible for shipping the product back to the Customer.

In no event will Rice Lake be responsible for travel time or on-location repairs, including assembly or disassembly of equipment. Nor will Rice Lake be liable for the cost of any repairs made by others.

On all intrinsically safe equipment, any field repair or modifications voids any and all warranties expressed or implied and void F.M. approval.

Any loose hardware, screws, washers or non-ESD bags of hardware stored inside indicator will void warranty. This could cause harm to repair technician or damage CPU board.

If just the board is sent in for repair, the serial number of the product the board is from should accompany the board.

**These warranties exclude all other warranties, expressed or implied, including without limitation warranties of merchantability or fitness for a particular purpose. Neither Rice Lake nor the authorized reseller will, in any event, be liable for incidental or consequential damages at the point of use. Rice Lake and the Customer agree**

that Rice Lake's sole and exclusive liability here under is limited to repair or replacement of such goods. In accepting this warranty, the Customer waives any and all other claims to warranty.

**Should the seller be other than Rice Lake, the Customer agrees to look only to the seller for warranty claims.** No terms, conditions, understanding, or agreements purporting to modify the terms of this warranty shall have any legal effect unless made in writing and signed by a corporate officer of Rice Lake and the Customer.

### Carrier Product Damage

As part of our commitment to customer satisfaction and in accordance with ISO 9001 standards, we make every attempt to pack our products so they will arrive in new condition. Occasionally due to rough handling or carelessness, product may arrive in a damaged condition. When this happens, don't assume that the shipment left Rice Lake in that condition or that the original packing was not sufficient.

The receiver, whether it is the authorized reseller or their Customer, is responsible for making a notation of damaged or missing items when signing the carrier's delivery receipt. If you or your Customer are not sure whether there is damage, we suggest adding a statement "CONDITION UNKNOWN" to the delivery receipt. In the event that damage or missing items are not properly documented at time of receipt, the carrier is relieved of responsibility and the receiver is then responsible for the cost to get the product back to new condition.

After the damage or shortage has been properly noted with the carrier, contact Rice Lake immediately and keep all the original packaging material for inspection by the carrier's representative. It is also helpful in the claim process to take pictures of the condition of the packaging and damage.

When drop-shipping items to your Customers, it is imperative that you advise them of their responsibility in accepting shipments from common carriers. Even if the equipment is not expected to be installed or used for a period of time, the shipment must be inspected at time of receipt in order to preserve their rights for making a claim.

### Custom Software Limited Warranty

Rice Lake Weighing Systems (Rice Lake) warrants that (a) the software will perform in accordance with the specification and accompanying written endorsement by the Customer for a period of 90 days from the date of receipt; (b) any hardware accompanying the software will be free from defects in materials and workmanship under normal use and service for a period of one (1) year from the date of shipment from Rice Lake; and (c) the Customer should perform inspection and testing of software products prior to installation.

This limited warranty is void if failure of the software or hardware has resulted from accident, abuse, misapplication, or incorrect Customer specification. Any replacement software will be warranted for the remainder of the original warranty period or 30 days, whichever is longer.

If the software fails to conform to these warranties, Rice Lake will, at its option, repair or replace such goods returned within the warranty period subject to the following conditions:

## Warranty and Limitation of Liability

Upon discovery by the Customer of such nonconformity, Rice Lake will be given prompt written notice with a detailed explanation of the alleged deficiencies.

Examination of software by Rice Lake confirms that the nonconformity exists, and was not caused by accident, misuse, neglect, alteration, improper installation, improper repair, improper testing, or incorrect Customer specification. Rice Lake shall be the sole judge of all alleged non-conformities.

Rice Lake will have a reasonable time to repair or replace the software. The Customer is responsible for shipping charges both ways.

In no event will Rice Lake be responsible for travel time or on-location repairs, including assembly or disassembly of equipment. Nor will Rice Lake be liable for the cost of any repairs made by others.

**These warranties exclude all other warranties, expressed or implied, including without limitation warranties of merchantability or fitness for a particular purpose. Neither Rice Lake nor the authorized reseller will, in any event, be liable for incidental or consequential damages at the point of use.**

**Rice Lake and Customer agree that Rice Lake' sole and exclusive liability here under is limited to repair or replacement of such goods. In accepting this warranty, the Customer waives any and all other claims to warranty.**

**Should the seller be other than Rice Lake, the Customer agrees to look only to the seller for warranty claims.**

No terms, conditions, understanding, or agreements purporting to modify the terms of this warranty shall have any legal effect unless made in writing and signed by a corporate officer of Rice Lake and the Customer.

### Return Policies

Our commitment to our Customers states that if any standard product purchased from Rice Lake does not work, or if the incorrect product is shipped, **return it in its original shipping carton with all accessories in "like new" condition** for full credit or replacement within 30 days of purchase. **Electronic components returned to Rice Lake must be properly packaged to prevent electrostatic discharge (ESD) damage in shipment.** Packaging requirements are listed in the publication, "Protecting Your Components from Static Damage in Shipment," available online or from our Returns Department. This policy and the 30-day limit also apply to any products drop-shipped directly from the manufacturer.

Please note that if an incorrect quantity of product was shipped, Rice Lake must be contacted within 10 days of the purchase. Upon notification, we will immediately correct the situation.

**A restocking charge will apply if equipment is not in like-new condition.** The restocking charge is directly proportional to the amount of time and material required to return the item to resalable condition—we will make every effort to do this quickly and economically. Equipment that has been abused and/or shows signs of excessive wear and cannot be reconditioned and resold will not be accepted for return or credit after excessive wear or has been modified.

### As Applied to Drop Shipments

All Rice Lake return guidelines apply to products drop-shipped directly from the manufacturer. If a perceived error occurs, Rice Lake will investigate to the best of our ability to determine if the error occurred prior to shipping, during shipping, or at the end user site. If our records and subsequent investigation indicate that the shipment was correct when it left our factory, our responsibility extends only to the authorized reseller, not their end user. Our standard product warranty notes that our coverage extends only to equipment and systems **properly installed by an authorized reseller.**

### Obtaining an RMA

A return authorization number (RMA) is required for all materials being returned to Rice Lake for credit. Flat rate repairs require purchase orders at time of RMA issuance. When returning equipment for repair or warranty reimbursement consideration, these simple steps will help to expedite your request:

1. Call our Returns Department.
2. Please have your customer number and both the item description and problem for a repair.
3. Please have the original sales order or invoice number for items to be returned for credit or warranty.  
NOTE: See return policy
4. An RMA number will be given for eligible returns. This RMA number may also be faxed or emailed per your request.

### Return Shipments Outside the United States for Repair, Warranty, Calibration or Other Services and Re-export.

#### For shipment to the USA:

1. The commercial invoice must include the following statement:
  - i. "These goods are being returned for maintenance under"
  - ii. Goods Made in the USA -- "HTS 9801.00.1012"
  - iii. Goods NOT made in the USA -- "HTS 9801.00.2500"
2. The commercial invoice must list items individually and include the fair market value of the item based on its present condition for customs purposes only.
3. Please reference original Rice Lake commercial invoice number and date item was purchased if applicable.
4. Please note that failure to follow these procedures may cause delay and will certainly incur extra charges that will NOT be absorbed by Rice Lake.

### Return Shipments Outside the United States Other Than for Repair, or Service Work Not Being Returned.

#### For shipment to the USA:

1. The commercial invoice must include the following statement:
  - i. Goods Made in the USA -- "HTS 9801.00.1045"
  - ii. Goods NOT made in the USA -- "HTS 9801.00.2500"
2. The commercial invoice must list items individually and include the fair market value of the item based on its present condition for customs purposes only.
3. Please reference original Rice Lake commercial invoice number and date item was purchased if applicable.
4. Please note that failure to follow these procedures may cause delay and possible reduction in your refund.
5. Please be advised that you may qualify for a refund of your duties and should contact your local customs authority for instructions and forms.

# Warranty and Limitation of Liability

## Special Order, Modified, Non-Catalog, or Non-Stock Items

Due to the added resources and difficulty in reselling special or non-standard products, returns or credit are not allowed for special order equipment, special software programs, equipment physically modified or altered in the field, discrete electronic components, relays, manuals, or opened software packages.

## Calibration Test Weights

All weights returned for credit will be assessed a restocking charge because of the required inspection and verification. Credit is not allowed for serialized weights, calibration or traceable services performed on weights.

### Calibration Test Weights

No returns will be accepted for items that are specifically modified for the Customer's requirements. Examples of such modifications may include, but not necessarily limited to:

1. Weights that have been specifically built to the customer's specifications.
2. Standard product specifically modified to the customer's specifications.
3. Standard product engraved with serial numbers at the customer's request.
4. Laboratory procedure charges.
5. Laboratory documentation fees.

## Balances

Balances returned for credit within 30 days of purchase may be subject to a restocking fee if assessed by balance manufacturer.

### Balance Repair Policy and Rates

We offer repair support on the following balance models:

- All Rice Lake brand models: Once we receive the equipment and the RMA form, an estimate will be prepared.

A minimum charge of one hour will apply. All balance repairs are covered by a 90-day limited warranty on parts and workmanship performed and noted under the scope of the specific repair. Balances must be packaged to adequately protect them

from damage in transit. Please refer to "How to Prepare a Balance for Shipment" available on our website and from our Returns Department.

### How to Prepare a Balance for Shipment

The best and most effective method for shipping a balance at any time and for any reason is to use the original manufacturer's packaging materials and subsequently double box it as described below. Teach your Customers to retain the packing set. Please remember that due to the nature of the equipment, new packaging materials can be very expensive.

In the event that the original manufacturer's packaging materials are not available, follow these instructions for top loading balances.

1. Remove the weighing platform cover, support buttons, weighing platform, floor plate and other devices installed in the weighing chamber. Pack these pieces individually in bubble wrap and tape the wrapping closed. Follow this same procedure for AC adapters and power cords. Please note that AC adapters and

power cords are necessary to adequately evaluate the problem.

2. Examine the device (refer to the operating instructions) and if necessary, re-install or tighten any shipping screws/retaining devices to prevent damage to the weighing mechanism during shipment.
3. If the floor plate is not removable, ensure it is securely in place and cannot come loose during shipment, even if the balance is inverted. Do NOT invert the balance to test the security of the floor plate.
4. Clean the device of any loose debris or potential contaminants to our testing facility.
5. Prepare and sign a Statement of Decontamination (form #0679). This form MUST be included in a separate packing list envelope on the outside of the box with the "Statement of Decontamination Form" statement clearly visible.
6. Using Scotch tape or "speed" tape, tape all the glass doors on the device CLOSED. Be sure the tape is securely affixed and will not come off during shipment. Please note that on some devices, the glass breeze-break around the weighing chamber can actually be disassembled and packed separate prior to shipment. Refer to the manufacturer's operating instructions. If this is a feature of the device being return, disassemble the breeze break and pack it in its own packing material and box.
7. Use a large box that will provide a minimum of 3 inches of space around the device for loose-fill packing material.
8. Place a padding of foam or Styrofoam (at least 1 inch thick) at the bottom of the box.
9. Place the balance in a large plastic bag and seal the bag closed.
10. Please put the device on top of the foam padding or Styrofoam from step 8 above.
11. Ensure that there is at least three inches of clearance between the top of the balance and the top of the box.
12. Using generous amounts of anti-static loose-fill packing material, fill all the spaces around the balance. Shake the box to cause the material to settle and add additional loose fill as necessary.
13. Place the small box containing all the items from step 1 above on top of the loose fill covering the balance. Add additional loose fill to completely cover all items within the box.
14. Double pack this box in another box that will again provide an additional two inches of space around the inner box. Fill all existing space between the inner and outer box with copious amounts of anti-static loose fill packing material.
15. Seal the box and include all the necessary documentation on the outside of the box. Don't forget the Decontamination Form (form #0679) from step 5 above.

## Repair Service Policies

Our Service Department is staffed Monday through Friday from 6:30 A.M. to 6:30 P.M., and Saturday from 8:00 A.M. to noon, Central time. For those utilizing the conveniences of the internet, we have an e-mail address dedicated to technical support. Please contact Rice Lake at service@ricelake.com for answers to your technical questions and the status of repair products during normal business hours.

## Warranty and Limitation of Liability

We provide quality and timely repairs for the products we sell. Flat rate repair is offered for selected models of indicators, printers and remote displays. Prior to returning a product for repair, our returns department will work with you to determine some key factors that will help Rice Lake better serve you. Please provide the following via phone to extensions 5348 or an RMA form.

- **Customer Number:** Without a customer number we cannot issue an RMA number.
- **Ship-to Address:** Your customer number will bring up the bill-to address. You must inform Rice Lake of the ship-to address if it's different than the bill-to address.
- **Original sales and invoice orders: Required on warranty claims.**
- **Freight Type:** Unless stated otherwise, we ship the device back to you utilizing the same freight type in which we received it. If Rice Lake is responsible for freight charges, the carrier will be selected at the sole discretion of Rice Lake.
- **Definition of Product and Problem: Please provide as much detail as possible regarding the type of product, application and problem.**
- **Purchase Order Number for Flat Rate Repair:** Once we receive the equipment and the RMA, equipment for flat rate repair will be processed immediately. Other equipment will be evaluated and a minimum evaluation charge will apply (contact the factory for exact pricing).

You may be asked about the possibility of a new replacement product. It may be in your customer's best interest to explore the option of purchasing a new product if the repair will exceed 50 percent of authorized reseller net price, since new products carry full-warranty benefits.

Please note that our hourly service rate on all current Rice Lake products. Contact the factory for exact pricing. There is a 120-day limited warranty on parts and workmanship performed and noted under the scope of the specific repair.

## California Proposition 65

### Rice Lake Weighing Systems Statement

Proposition 65 requires businesses to inform Californians about exposures to chemicals that are known to cause cancer, birth defects or other reproductive harm. These chemicals may be in the products you purchase, or they may be exposed to you at home, at the workplace or within the environment. Proposition 65 enables Californians to make informed decisions about their exposures to these chemicals.

Rice Lake Weighing Systems wants to be proactive in regards to Proposition 65 and provide information about the products we produce, distribute and use to manufacture equipment we sell.

We are providing this warning based on the knowledge that one or more chemicals included in the California Proposition 65 list known to cause cancer, birth defects or other reproductive harm may be present in Rice Lake Weighing Systems products and workplaces.



**WARNING:** Chemicals listed in California Proposition 65 known to cause cancer, birth defects or other reproductive harm may be present only in trace amounts or contained within Rice Lake Weighing Systems products and proper encapsulation equipment. This warning is provided out of an abundance of caution to enable you to be an informed consumer.

More information about California Proposition 65 can be found at [www.P65Warnings.ca.gov](http://www.P65Warnings.ca.gov)

# Balances

## TABLE OF CONTENTS

<b>EQUIPOISE SERIES</b> .....	<b>14</b>
<i>Compact Balance</i>	
<b>TE SERIES</b> .....	<b>16</b>
<i>Tuning Fork Enhanced Balance</i>	
<b>TC SERIES</b> .....	<b>18</b>
<i>Tuning Fork Compact Balance</i>	
<b>TP SERIES</b> .....	<b>20</b>
<i>Tuning Fork Precision Balance</i>	
<b>TA PLUS</b> .....	<b>22</b>
<i>Tuning Fork Analytical Balance</i>	

### Looking for products?

Please visit [www.ricelake.com/global](http://www.ricelake.com/global) for current product pricing or call our European office at +31 (0) 26 472 1319 to talk to an industry expert about our product offerings and customized solutions.

**Equipoise Series**

Compact Balance

Capacity: 300g-6.000g    Readability: 0,01 g-0,2g

**Standard Features**

- Capacities between 300g and 6.000g
- Internal resolution: 1/600.000
- LCD display
- Quick response
- Accumulation, counting and percentage modes
- 13 different units of measure
- Detachable enclosed weighing chamber (in capacities ≤1 kg)
- Battery operation for up to 40 hours of continuous use (without backlight)
- Standard RS-232 interface for connecting to printer or PC
- Plastic enclosure
- AC adapter

APPROVALS

**Specifications**

	EQ-300 <sup>^</sup>	EQ-600 <sup>^</sup>	EQ-1500	EQ-3000	EQ-6000
Part#	165338	165339	165340	165341	132435
Price	€290,00	€290,00	€290,00	€290,00	€290,00
Capacity	300 g	600 g	1.500 g	3.000 g	6.000 g
Resolution	0,01 g	0,02 g	0,05 g	0,1 g	0,2 g
Weighing Units	Gram, Carat, Ounce, Ounce Troy, Pound, Pennyweight, Grain, Momme, Hong Kong Tael, Singapore Tael, Taiwan, Tael, Tola				
Operating Modes	Weighing, Percent Weighing, Parts Counting, Accumulation				
Repeatability (+/-)	0,01 g	0,02 g	0,05 g	0,1 g	0,2 g
Linearity (+/-)	0,02 g	0,04 g	0,1 g	0,2 g	0,4 g
Stabilization Time	2 seconds				
Operating Temperature	0° C to 40° C				
Weighing Chamber	170 x 145 x 80 mm		N/A	N/A	N/A
Pan Size	Ø 120 mm		122 mm x 142 mm		
Dimensions	180 x 220 x 85 mm				
Est. Ship Weight	3 kg				
Calibration Weight	300 g	600 g	1.500 g	3.000 g	6.000 g
Power	AC adapter (12V/500 mA); internal rechargeable battery (6V/1,2Ah)				
Warranty	One-year Limited Warranty				
Return Policy	Rice Lake Standard Policy				

<sup>^</sup>Weighing Chamber

### Part Number/Price

Part #	Model #	Capacity	Est. Weight	Price
165338	EQ-300	300 g x 0,01 g	2,7 kg	€290,00
165339	EQ-600	600 g x 0,02 g	2,7 kg	€290,00
165340	EQ-1500	1.500 g x 0,05 g	2,7 kg	€290,00
165341	EQ-3000	3.000 g x 0,1 g	2,7 kg	€290,00
132435	EQ-6000	6.000 g x 0,2 g	2,7 kg	€290,00

### Options/Accessories

Part #	Description	Price
41279	Printer cable, DB9M to 25-Pin M	€67,00
103141	SP712 dot matrix printer, tear bar	€333,00
119919	AbleCable RS-232/USB cable (requires 130789)	€181,00
130789	Slim line null modem adapter	€13,00
131135	Aluminum case	€98,00
165183	AC adapter, 110-240VAC, interchangeable plugs	€44,00



PN 165183 Multi-range AC adapter and multi-plug

**TE Series**

Tuning Fork Enhanced Balance

Capacity: 220 g - 15 kg    Readability: 0.001 g - 0.1 g

**Standard Features**

- External weight calibration
- Seven-segment (main) / 16-segment (sub) display
- Selectable modes: Weighing, Counting, Percentage, Coefficient, Specific Gravity, Statistics, Animal and Formulation
- Mono-Metal Tuning Fork Technology (MMTF) provides quick response and stability
- 30-step bar graph display
- 100-240VAC adapter included
- AA dry-cell port, (150 hours continuous use with LCD backlight and communication signal ON)
- RS-232 & USB (Type B)
- Glass breeze break

Additional models are available with the approvals shown below. Please consult the factory for part numbers.

**Specifications**

	TE-223	TE-623	TE-3202	TE-6202	TE-15001
Part#	187600	186030	186035	186036	186037
List Price	€1.028,00	€1.351,00	€1.121,00	€1.378,00	€1.079,00
Capacity	220 g	620 g	3,200 g	6,200 g	15,000 g
Resolution	0.001 g	0.001 g	0.01 g	0.01 g	0.1 g
Operating Modes	Weighing, Counting, Percentage, Coefficient, Specific Gravity, Statistics, Animal, Formulation				
Repeatability	1 division				
Linearity	1 division				
Operating Temperature	41° F to 95° F (5° C to 35° C)				
Pan Size	4.6 in (118 mm)		6.3 in x 7.1 in (160 mm x 180 mm)		
Dimensions	10.6 in x 8.1 in x 11.8 in (270 mm x 208 mm x 301 mm)		10.4 in x 7.5 in x 3.4 in (265 mm x 191.5 mm x 86 mm)		
RS-232 Specifications	Baud Rate 1200, 2400, 480, 9600, 19200, 38400, 57600, 115200 bps				
Est. Ship Weight	6.5 lb (3 kg)		6.0 lb (2.7 kg)		
Power	100-240VAC adapter, AA dry cell (batteries not included)				
Warranty	Five-year Limited Warranty				
Return Policy	Rice Lake Standard Policy				
Gram	220 x 0.001 g	620 x 0.001 g	3,200 x 0.01 g	6,200 x 0.01 g	15,000 x 0.1 g
Carat	1,100 x 0.01 ct	3,100 x 0.01 ct	16,000 x 0.1 ct	31,000 x 0.1 ct	75,000 x 1 g
Pound	0.48 x 0.0001 lb	1.3 x 0.0001 lb	7 x 0.0001 lb	13 x 0.0001 lb	33 x 0.001 lb
Ounce	7.7 x 0.0001 oz	21 x 0.0001 oz	110 x 0.001 oz	210 x 0.001 oz	520 x 0.01 oz
Troy Ounce	7 x 0.0001 ozt	19 x 0.0001 ozt	100 x 0.001 ozt	190 x 0.001 ozt	480 x 0.01 ozt
Grain	3,300 x 0.1 GN	9,500 x 0.1 GN	49,000 x 1 GN	95,000 x 1 GN	230,000 x 10 GN
Pennyweight	140 x 0.001 dwt	390 x 0.001 dwt	2,000 x 0.01 dwt	3,900 x 0.01 dwt	9,600 x 0.1 dwt
Momme	58 x 0.001 mom	160 x 0.001 mom	850 x 0.01 mom	1,600 x 0.01 mom	4,000 x 0.1 mom
MSG	47 x 0.001 MSG	130 x 0.001 MSG	690 x 0.01 MSG	1,300 x 0.01 MSG	3,200 x 0.1 MSG
Tael (Hong Kong)	5.8 x 0.0001 TL	16 x 0.0001 TL	85 x 0.001 TL	160 x 0.001 TL	400 x 0.01 TL
Tael (Singapore)	5.8 x 0.0001 TL	16 x 0.0001 TL	84 x 0.001 TL	160 x 0.001 TL	390 x 0.01 TL
Tael (Taiwan)	5.8 x 0.0001 TL	16 x 0.0001 TL	85 x 0.001 TL	160 x 0.001 TL	400 x 0.01 TL
Tola	18 x 0.0001 to	53 x 0.0001 to	270 x 0.001 to	530 x 0.001 to	1,200 x 0.01 to
Bat	14 x 0.0001 Bat	40 x 0.0001 Bat	210 x 0.001 Bat	400 x 0.001 Bat	980 x 0.01 Bat
Milligrams	220,000 x 1 mg	620,000 x 1 mg	3,200,000 x 10 mg	6,200,000 x 10 mg	15,000,000 x 100 mg

### Part Number/Price

Part#	Model#	Description	Price
187600	TE-223	220 g x 0.001 g	€1.028,00
186030	TE-623	620 g x 0.001 g	€1.351,00
186035	TE-3202	3,200 g x 0.01 g	€1.121,00
186036	TE-6202	6,200 g x 0.01 g	€1.378,00
186037	TE-15001	15,000 g x 0.1 g	€1.079,00

### Options/Accessories

Part#	Description	Price
186074	Power supply 100-240VAC, 50-60Hz	€64,00
186075	In-use dust cover 623 g models and lower	€26,00
186076	In-use dust cover 3,200 g models and higher	€26,00
186077	Specific Density Measurement Kit	€589,00
186079	Ethernet TCP/IP option card	€589,00



### Standard Features

- Large, 16,5 mm-high, backlit liquid crystal display (LCD)
- Selectable modes: Weight, Unit Count and Percentage
- 12 units of measurement
- Mono-Metal Tuning Fork Sensor (MMTF) provides quick response and stability
- 20-step bar graph display
- 115VAC adapter included (230VAC optional)
- Semi-automatic calibration, external weight
- Plastic housing on models < 1.000 g, plastic top and die cast bottom on models > 1.000 g

### Optional Features

- RS-232
- Rechargeable battery

### Specifications

	TC-620	TC-1200	TC-4200	TC-6200	
Part#	107232	107233	107234	107235	
Price	€701,00	€642,00	€701,00	€756,00	
Capacity	620 g	1.200 g	4.200 g	6.200 g	
Resolution	0,01 g	0,1 g	0,1 g	0,1 g	
Operating Modes	Count, Percentage, Limit Function (checkweighing)				
Repeatability	1 division				
Linearity	1 division				
Operating Temperature	5° C to 35° C				
Pan Size	139.7 mm	170.2 x 142.2 mm	177.8 x 157.5 mm		
Dimensions	234 x 180 x 74 mm		264 x 191 x 86 mm		
Weight (Approx.)	1,3 kg		2,7 kg		
Calibration Weight	600 g	1.200 g	4.000 g	6.200 g	
Power	120 VAC adapter				
Warranty	Five-year Limited Warranty				
Return Policy	Rice Lake Standard Policy				
UNIT OF MEASURE	Decimal Ounce	21 x 0,0005 oz	42 x 0,005 oz	140 x 0,005 oz	210 x 0,005 oz
	Decimal Pound	1,3 x 0,00005 lb	2,6 x 0,0005 lb	9,2 x 0,0005 lb	13 x 0,0005 lb
	Troy Ounce	19 x 0,0005 ozt	38 x 0,005 ozt	130 x 0,005 ozt	190 x 0,005 ozt
	Pennyweight	390 x 0,01 dwt	770 x 0,1 dwt	2.700 x 0,1 dwt	3.900 x 0,1 dwt
	Carat	3.100 x 0,05 ct	6.000 x 0,5 ct	21.000 x 0,5 ct	31.000 x 0,5 ct
	Momme	160 x 0,005 mom	320 x 0,05 mom	1.100 x 0,05 mom	1.600 x 0,05 mom
	Grain Unit	9.500 x 0,2 GN	18.000 x 2 GN	64.000 x 2 GN	95.000 x 2 GN
	Tael (Hong Kong)	16 x 0,0005 TL	32 x 0,005 TL	110 x 0,005 TL	160 x 0,005 TL
	Tael (Singapore, Malaysia, Taiwan)	16 x 0,0005 TL	31 x 0,005 TL	110 x 0,005 TL	160 x 0,005 TL
Tola	53 x 0,001 to	100 x 0,01 to	360 x 0,01 to	530 x 0,01 to	

### Part Number/Price

Part #	Model #	Description	Price
107232	TC-620	620 g x 0,01 g	€701,00
107233	TC-1200	1.200 g x 0,1 g	€642,00
107234	TC-4200	4.200 g x 0,1 g	€701,00
107235	TC-6200	6.200 g x 0,1 g	€756,00

### Options/Accessories

Part #	Description	Price
107236	Rechargeable battery-TC-620, TC-1200, 32 hr	€100,00
107237	Rechargeable battery-TC-4200, TC-6200, 32 hr	€105,00
107238	RS-232 option with DIN-5-Pin connector (not compatible with battery option) (TC-620, TC-1200)	€124,00
107239	RS-232 option with DIN-5-Pin connection (not compatible with battery option, (TC-4200,TC-6200)	€124,00
107240	In-use dust cover, 620 g to 1200 g	€26,00
107250	In-use dust cover, 4.200 g to 6.200 g	€26,00
109236	Underweigh hook TC-620, TC-1200	€26,00
109292	Underweigh hook TC-4200, TC-6200	€26,00
42566	120VAC adapter	€65,00
42168	230VAC adapter	€71,00
107243	Additional operating manual	€16,00
75351	WinWedge software	€309,00
115303	Five-pin to nine-pin RS-232 cable	€94,00
115148	RS-232 manual	€5,70

**TP Series**

Tuning Fork Precision Balance

Capacity: 220g-12,000g    Readability: 0.001g-0.1g

**Standard Features**

- External weight calibration
- Large, 16,5 mm-high backlit liquid crystal display (LCD)
- Selectable modes: Weight, Unit, Count and Percentage
- 12 units of measurement
- Mono-Metal Tuning Fork Sensor (MMTF) provides quick response and stability
- 20-step bar graph display
- 115VAC adapter included (230VAC optional)
- One part in 620,000 resolution
- RS-232 bidirectional
- Plastic housing on models < 1.000g, plastic top and die cast bottom on models > 1.000g

**Optional Features**

- Rechargeable battery

*Additional models are available with the approvals shown below. Please consult the factory for part numbers.*

**Specifications**

	TP-220 <sup>^</sup>	TP-420NT <sup>^</sup>	TP-820	TP-1200NT	TP-3200	TP-4200NT	TP-6200NT	TP-8200	TP-12K
Part #	107244	108155	107245	163604	107246	108154	163606	107247	107248
Price	€998,00	€1.069,00	€998,00	€922,00	€1.131,00	€1.069,00	€1.383,00	€998,00	€1.150,00
Capacity	220 g	420 g	820 g	1.200 g	3.200 g	4.200 g	6.200 g	8.200 g	12.000 g
Resolution	0,001 g	0,001 g	0,01 g	0,01 g	0,01 g	0,01 g	0,01 g	0,1 g	0,1 g
Operating Modes	Counting, Percentage, Limit Function (checkweighing)								
Repeatability	1 division								
Linearity	1 division								
Operating Temperature	5° C to 35° C								
Pan Size	116,8mm		167,6 x 139,7 mm			177,8 x 157,5 mm			
Dimensions	235 x 182 x 170 mm (including windshield)		235 x 182 x 75 mm			265 x 192 x 87 mm			
RS-232 Specifications	Baud rate - 1200/2400/2800/9600; Data bits - 8, Connector - DIN 5-Pin								
Est. Ship Weight	1,3kg				2,8kg				
Calibration Weight	200 g	400 g	800 g	1.000 g	3.000 g	4.000 g	6.000 g	8.000 g	12.000 g
Power	120VAC adapter								
Battery Option	Nickel Cadmium battery, 12-hour run time, 24-hour charge time								
Warranty	Five-year Limited Warranty								
Return Policy	Rice Lake Standard Policy								

## Specifications (cont)

	TP-220 <sup>^</sup>	TP-420NT <sup>^</sup>	TP-820	TP-1200NT	TP-3200	TP-4200NT	TP-6200NT	TP-8200	TP-12K	
<b>Part#</b>	<b>107244</b>	<b>-</b>	<b>107245</b>		<b>107246</b>	<b>-</b>		<b>107247</b>	<b>107248</b>	
<b>UNIT OF MEASURE</b>	Decimal Ounce	7,7 x 0,00005 oz	14 x 0,001 oz	28 x 0,0005 oz	42 x 0,0005 oz	110 x 0,0005 oz	140 x 0,01 oz	210 x 0,001 oz	280 x 0,005 oz	420 x 0,005 oz
	Decimal Pound	0,48 x 0,00001 lb	0,92 x 0,00001 lb	1,8 x 0,00005 lb	2,6 x 0,00005 lb	7,0 x 0,00005 lb	9,2 x 0,0001 lb	13 x 0,0001 lb	18 x 0,0005 lb	26 x 0,0005 lb
	Troy Ounce	7 x 0,00005 ozt	16 x 0,0001 ozt	26 x 0,0005 ozt	38 x 0,0005 ozt	100 x 0,0005 ozt	130 x 0,001 ozt	190 x 0,001 ozt	260 x 0,005 ozt	380 x 0,005 ozt
	Pennyweight	140 x 0,001 dwt		520 x 0,01 dwt	770 x 0,01 dwt	2.000 x 0,01 dwt	2.700 x 0,01 dwt	3.900 x 0,01 dwt	5.200 x 0,1 dwt	7.700 x 0,1 dwt
	Carat	1.100 x 0,01 ct	2.100 x 0,01 ct	4.100 x 0,05 ct	6.000 x 0,05 ct	160.000 x 0,05 ct	21.000 x 0,1 ct	31.000 x 0,1 ct	41.000 x 0,5 ct	60.000 x 0,5 ct
	Momme	58 x 0,0005 mom		210 x 0,005 mom	320 x 0,005 mom	850 x 0,01 mom	1.100 mom	1.600 x 0,01 mom	2.100 x 0,05 mom	3.200 x 0,05 mom
	Grain Unit	3.300 x 0,02 GN	6.400 x 0,02 GN	12.000 x 0,2 GN	1.200 x 0,01 GN	48.000 x 0,2 GN	64.000 x 0,2 GN	95.000 x 0,2 GN	120.000 x 2 GN	180.000 x 2 GN
	Tael	5,8 x 0,00005 TL		21 x 0,0005 TL		85 x 0,001 TL			210 x 0,005 TL	320 x 0,005 TL
	Tola	18 x 0,0001 to		70 x 0,001 to	100 x 0,001 to	270 x 0,001 to		530 x 0,001 to	700 x 0,01 to	1.000 x 0,01 to
	Measurable Unit Weight in Counting Mode	0,03 g	0,03 g	0,03 g	0,01 g	0,3 g	0,3 g	0,3 g	3 g	3 g

<sup>^</sup>Weighing Chamber

## Part Number/Price

Part#	Model#	Description	Price
107244	TP-220	220 g x 0,001 g	€998,00
108155	TP-420NT	420 g x 0,001 g	€1.069,00
107245	TP-820	820 g x 0,01 g	€998,00
163604	TP-1200NT	1.200 g x 0,1 g	€922,00
107246	TP-3200	3.200 g x 0,01 g	€1.131,00
108154	TP-4200NT	4.200 g x 0,01 g	€1.069,00
163606	TP-6200NT	6.200 g x 0,1 g	€1.383,00
107247	TP-8200	8.200 g x 0,1 g	€998,00
107248	TP-12K	12.000 g x 0,1 g	€1.150,00

## Options/Accessories

Part#	Description	Price
107249	Rechargeable battery	€100,00
107237	Rechargeable battery	€100,00
107250	In-use dust cover ≥ TP-3200	€26,00
107240	In-use dust cover ≤ TP-1200	€26,00
109236	Underweigh hook ≤ TP-1200	€26,00
109292	Underweigh hook ≥ TP-3200	€26,00
42566	115VAC adapter	€65,00
42168	230VAC adapter	€71,00
107251	Additional operating manual	€16,00
75351	WinWedge Tal software	€309,00
115303	Five-pin to nine-pin DB female RS-232 cable	€94,00

# NEW

RICE LAKE

## TA Plus

Tuning Fork Analytical Balance

Capacity: 120g-220g    Readability: 0.0001 g



### Standard Features

- Anti-electrostatic 360° transparent windshield
- Eight-digit, 16.5 mm-high liquid crystal display (LCD) with backlight
- Single-touch response setting for environment
- 40-step bar graph display
- RS-232C interface
- ISO/GLP/GMP compliant printing record
- Underweigh hook included
- Internal calibration
- Plastic housing

### Specifications

	TA Plus-124 <sup>^</sup>	TA Plus-224 <sup>^</sup>
Part#	196569	196570
List Price	Consult	Consult
Capacity	120 g	220 g
Resolution	0,0001 g	0,0001 g
Operating Modes	Counting, Percentage, Limit Function (Checkweighing), Specific Gravity	
Repeatability	1 division	
Linearity	1 division	
Operating Temperature	50° F to 86° F (10° C to 30° C) 80% RH or lower	
RS232 Specifications	Baud rate - 1200/2400/4800/9600/19200 bps, 8/7 data bits, Parity bit-None/Odd/Even	
Pan Size	Ø 80 mm	
Dimensions	290 x 200 x 306 mm	
Weight (Approx.)	2,9kg	
Calibration Weight	120 g	220 g
Power	120 VAC adapter	
Warranty	Five-year Limited Warranty	
Return Policy	Rice Lake Standard Policy	
<b>UNIT OF MEASURE</b>		
Decimal Ounce	4,2 x 0,000005 oz	7,7 x 0,000005 oz
Decimal Pound	0,26 x 0,000001 lb	0,48 x 0,000001 lb
Troy Ounce	3,8 x 0,000005 ozt	7 x 0,000005 ozt
Pennyweight	77 x 0,0001 dwt	140 x 0,0001 dwt
Carat	600 x 0,0005 ct	1100 x 0,001 ct
Momme	32 x 0,00005 mom	58 x 0,00005 mom
Grain Unit	1.800 x 0,002 GN	3.300 x 0,002 GN
Tael	3,2 x 0,000005 TL	5,8 x 0,00005 TL
Tola	10 x 0,00001 to	18 x 0,00001 to

<sup>^</sup> Weighing Chamber

### Part Number/Price

Part #	Model #	Description	Price
196569	TA Plus-124	120 g x 0,0001 g	Consult
196570	TA Plus-224	220 g x 0,0001 g	Consult

### Options/Accessories

Part #	Description	Price
108255	115VAC adapter	€50,00
108256	230VAC adapter	€76,00
108257	In-use cover	€50,00
107398	Additional operating manual	€16,00
75351	WinWedge® Tal software	€309,00
66535	Null modem cable	€44,00
119919	AbleCable, requires null modem cable PN 66535	€181,00

**BALANCES**

[www.ricelake.com/global](http://www.ricelake.com/global) | Phone: +31 (0) 26 472 1319



# Bench Scales

## TABLE OF CONTENTS

<b>RL-SEB</b> .....	<b>26</b>
<i>Bench Scales</i>	
<b>RL-MEB</b> .....	<b>28</b>
<i>Bench Scales</i>	

### Looking for products?

Please visit [www.ricelake.com/global](http://www.ricelake.com/global) for current product pricing or call our European office at +31 (0) 26 472 1319 to talk to an industry expert about our product offerings and customized solutions.

# RL-SEB

Bench Scales



## Specifications:

**Load Cell, OIML Certified:**  
Stainless steel, IP67

**Cable Length:**  
3 m

**Compensated Temperature Range:**  
0° C to 40° C

**Warranty:**  
One-year limited warranty

## Standard Features

- 304 stainless steel construction
- Specially designed adjustable support feet provide exceptional traction and will not scratch surfaces

## Approvals



## Part Number/Price

Part #	Dimensions L x W x H (mm)	Max (kg)	e* (g)	Price
185879	230 x 330 x 90	3	1	€748,00
185880	230 x 330 x 90	6	2	€748,00
185881	230 x 330 x 90	15	5	€748,00
185882	330 x 330 x 90	6	2	€858,00
185883	330 x 330 x 90	15	5	€858,00
185884	330 x 330 x 90	30	10	€858,00
185885	400 x 400 x 115	15	5	€935,00
185927	400 x 400 x 115	30	10	€935,00
185928	400 x 400 x 115	60	20	€935,00
185929	400 x 400 x 115	150	50	€935,00
185930	400 x 500 x 115	30	10	€1.100,00
185931	400 x 500 x 115	60	20	€1.100,00
185932	400 x 500 x 115	150	50	€1.100,00
185933	500 x 500 x 115	60	20	€1.188,00
185934	500 x 500 x 115	150	50	€1.188,00
185935	600 x 600 x 137	60	20	€1.529,00
185936	600 x 600 x 137	150	50	€1.529,00
185937	600 x 600 x 137	300	100	€1.529,00

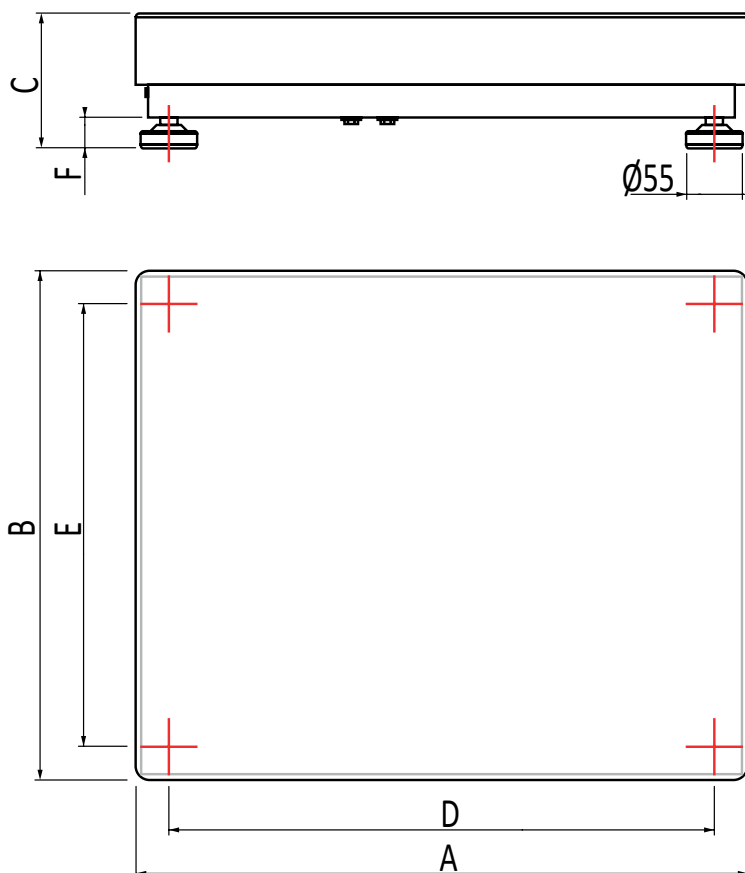
\*Certified division size for Legal for Trade application

## Options/Accessories

Part #	Description	Price
188201	Stainless steel column 350 mm with stainless steel fixings	€139,00
188202	Stainless steel column 500 mm with stainless steel fixings	€139,00
188203	Stainless steel column 700 mm with stainless steel fixings	€139,00
188204	Stainless steel column 450 x 450 x 917 mm Ø 38 mm, stainless steel base	€278,00
188205	Stainless steel column 450 x 450 x 917 mm Ø 38 mm, painted steel base	€212,00
188206	Stainless steel column 350 x 350 x 750 mm, painted steel base	€106,00
188240	Stainless steel fixing bracket for mounting RLT-200	€33,00
188241	Stainless steel fixing bracket for mounting RLT-400	€33,00
N/A	Installation, testing, configuration and verification	Consult factory

### Dimensions

A	B	C	D	E	F
230 mm	330 mm	93 mm	178 mm	290 mm	30 mm
330 mm	330 mm	93 mm	278 mm	290 mm	30 mm
400 mm	400 mm	115 mm	345 mm	345 mm	30 mm
400 mm	500 mm	115 mm	345 mm	445 mm	30 mm
500 mm	500 mm	115 mm	445 mm	445 mm	30 mm
500 mm	600 mm	137 mm	435 mm	535 mm	30 mm
600 mm	600 mm	137 mm	535 mm	535 mm	30 mm



# RL-MEB

## Bench Scales



### Specifications:

**Load Cell, OIML Certified:**  
Aluminum IP65

**Cable Length:**  
3m

**Compensated Temperature Range:**  
0° C to 40° C

**Warranty:**  
One-year limited warranty

### Standard Features

- 304 stainless steel cover with painted base frame
- Specially designed adjustable support feet provide exceptional traction and will not scratch surfaces

### Approvals



### Part Number/Price

Part #	Dimensions L x W x H (mm)	Max (kg)	e* (g)	Price
185817	230 x 330 x 93	3	1	€385,00
185819	230 x 330 x 93	6	2	€385,00
185820	230 x 330 x 93	15	5	€385,00
185821	330 x 330 x 93	6	2	€440,00
185824	330 x 330 x 93	15	5	€440,00
185825	330 x 330 x 93	30	10	€440,00
185826	400 x 400 x 115	15	5	€517,00
185827	400 x 400 x 115	30	10	€517,00
185828	400 x 400 x 115	60	20	€517,00
185829	400 x 400 x 115	150	50	€517,00
185830	400 x 500 x 115	30	10	€583,00
185831	400 x 500 x 115	60	20	€583,00
185833	400 x 500 x 115	150	50	€583,00
185834	500 x 500 x 110	30	10	€649,00
185835	500 x 500 x 110	60	20	€649,00
185836	500 x 500 x 110	150	50	€649,00
185837†	500 x 600 x 132	60	20	€748,00
185838†	500 x 600 x 132	150	50	€748,00
185839†	500 x 600 x 132	300	100	€748,00
185840†	600 x 600 x 137	60	20	€781,00
185841†	600 x 600 x 137	150	50	€781,00
185842†	600 x 600 x 137	300	100	€781,00
185843†	700 x 700 x 145	150	50	€1.210,00
185844†	700 x 700 x 145	300	100	€1.210,00
185845†	700 x 700 x 145	600	200	€1.210,00

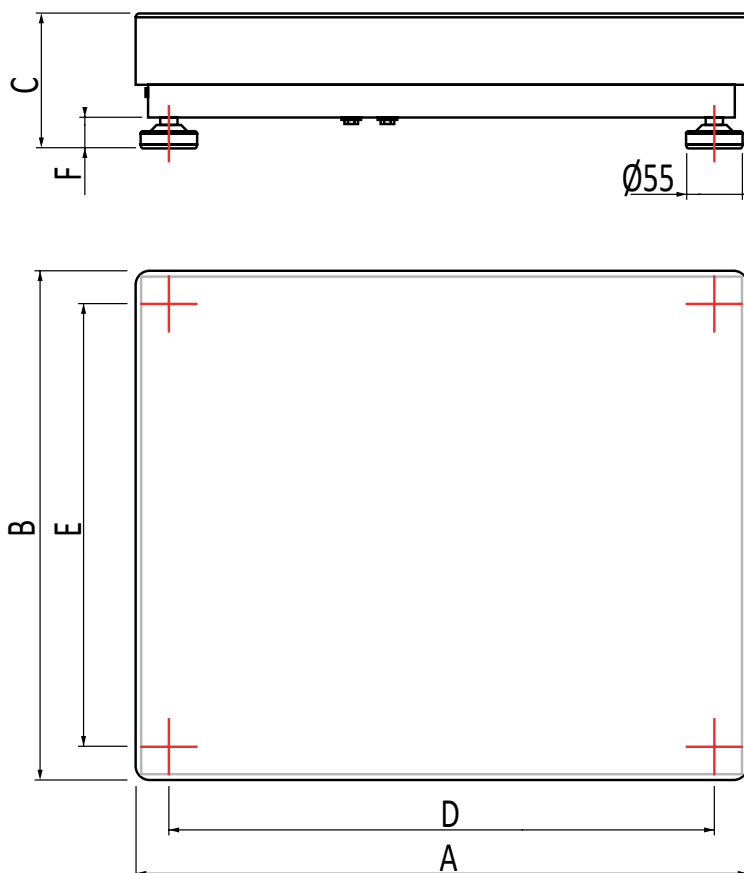
\*Certified division size for Legal for Trade application † OIML approved

### Options/Accessories

Part #	Description	Price
188198	Stainless steel column 350 mm with painted steel fixings	€86,00
188199	Stainless steel column 500 mm with painted steel fixings	€86,00
188200	Stainless steel column 700 mm with painted steel fixings	€86,00
188204	Stainless steel column 450 x 450 x 917 mm Ø 38 mm, stainless steel base	€278,00
188205	Stainless steel column 450 x 450 x 917 mm Ø 38 mm, painted steel base	€212,00
188206	Stainless steel column 350 x 350 x 750 mm, painted steel base	€106,00
188240	Stainless steel fixing bracket for mounting RLT-200	€33,00
188241	Stainless steel fixing bracket for mounting RLT-400	€33,00
N/A	Installation, testing, configuration and verification	Consult factory

### Dimensions

A	B	C	D	E	F
230 mm	330 mm	93 mm	178 mm	290 mm	30 mm
330 mm	330 mm	938 mm	278 mm	290 mm	30 mm
400 mm	400 mm	115 mm	345 mm	345 mm	30 mm
400 mm	500 mm	115 mm	345 mm	445 mm	30 mm
500 mm	500 mm	110 mm	445 mm	445 mm	30 mm
500 mm	600 mm	132 mm	435 mm	535 mm	30 mm
600 mm	600 mm	137 mm	535 mm	535 mm	30 mm
700 mm	700 mm	145 mm	635 mm	635 mm	30 mm





# CIBE Calibration Weights

## TABLE OF CONTENTS

<b>CLASS M1</b> .....	<b>32</b>
<i>Individual Weights, Cast Iron</i>	
<b>CLASS M1</b> .....	<b>33</b>
<i>Individual Weights, Stainless Steel</i>	
<b>CLASS M1</b> .....	<b>34</b>
<i>Individual Weights, Disk</i>	
<b>CLASS F1</b> .....	<b>35</b>
<i>Individual Weights, Stainless Steel</i>	
<b>CLASS E2</b> .....	<b>36</b>
<i>Individual Weights, Stainless Steel</i>	
<b>CLASS E1</b> .....	<b>37</b>
<i>Individual Weights, Stainless Steel</i>	
<b>CLASS M1</b> .....	<b>38</b>
<i>Weight Sets, Stainless Steel</i>	
<b>CLASS F1</b> .....	<b>39</b>
<i>Weight Sets, Stainless Steel</i>	
<b>CLASS E2</b> .....	<b>40</b>
<i>Weight Sets, Stainless Steel</i>	
<b>CIBE WEIGHTS</b> .....	<b>41</b>
<i>Cases and Accessories</i>	

### Looking for products?

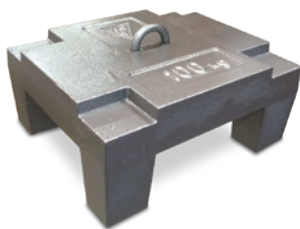
Please visit [www.ricelake.com/global](http://www.ricelake.com/global) for current product pricing or call our European office at +31 (0) 26 472 1319 to talk to an industry expert about our product offerings and customized solutions.

# Class M1

Individual Weights, Cast Iron



PN 189751



PN 189756



PN 189759



PN 189755



PN 189758

## Part Number/Price

Class M1			
Weight	Part #	Description	Price
5 kg	<b>189744</b>	Cast Iron, Painted. Density is 7.10 grams per cubic centimeter	€50,00
10 kg	<b>189745</b>	Cast Iron, Painted. Density is 7.10 grams per cubic centimeter	€66,00
20 kg	<b>189746</b>	Cast Iron, Painted. Density is 7.10 grams per cubic centimeter	€88,00
50 kg	<b>189747</b>	Cast Iron, Painted. Density is 7.10 grams per cubic centimeter	€253,00
5 kg	<b>189748</b>	Cast Iron, Nickel-Plated. Density is 7.10 grams per cubic centimeter	€88,00
10 kg	<b>189749</b>	Cast Iron, Nickel-Plated. Density is 7.10 grams per cubic centimeter	€116,00
20 kg	<b>189750</b>	Cast Iron, Nickel-Plated. Density is 7.10 grams per cubic centimeter	€138,00
100 kg	<b>189756</b>	Cast Iron, Painted. Density is 7.10 grams per cubic centimeter	€1.100,00
200 kg	<b>189757</b>	Cast Iron, Painted. Density is 7.10 grams per cubic centimeter	€1.457,00
500 kg	<b>189758</b>	Cast Iron, Painted. Density is 7.10 grams per cubic centimeter	€2.601,00
1.000 kg	<b>189759</b>	Cast Iron, Painted. Density is 7.10 grams per cubic centimeter	€4.261,00
500 kg	<b>189760</b>	Painted Steel. Density is 7.80 grams per cubic centimeter	€1.908,00
1.000 kg	<b>189761</b>	Painted Steel. Density is 7.80 grams per cubic centimeter	€3.481,00
2.000 kg	<b>189762</b>	Painted Steel. Density is 7.80 grams per cubic centimeter	€5.383,00
Case Options			
Weight Holder, 20 kg	<b>189751</b>	Stainless Steel. Suitable For Holding Up To 24 OIML 20 kg Weights, For A Total Combined Weight Of 500 kg. Dimensions - 832 x 518 x 387 mm	€759,00
Weight Case, Wooden	<b>189753</b>	For Individual Weights, 5 kg Cast Iron. Weight Sold Separately	€68,00
Weight Case, Wooden	<b>189754</b>	For Individual Weights, 10 kg Cast Iron. Weight Sold Separately	€71,00
Weight Case, Wooden	<b>189755</b>	For Individual Weights, 20 kg Cast Iron. Weight Sold Separately	€78,00
Calibration			
Calibration, ISO 17025	<b>189741</b>	For Individual Weight, 5 kg Class M1 ACCREDIA	€22,00
Calibration, ISO 17025	<b>189742</b>	For Individual Weight, 10 kg Class M1 ACCREDIA	€31,00
Calibration, ISO 17025	<b>189743</b>	For Individual Weight, 20 kg Class M1 ACCREDIA	€42,00
Calibration, ISO 17025	<b>189752</b>	For Individual Weight, 50 kg Class M1 ACCREDIA	€66,00
Calibration, ISO 17025	<b>189763</b>	For Individual Weight, 100 kg Class M1 ACCREDIA	€132,00
Calibration, ISO 17025	<b>189764</b>	For Individual Weight, 200 kg Class M1 ACCREDIA	€154,00
Calibration, ISO 17025	<b>189765</b>	For Individual Weight, 500 kg Class M1 ACCREDIA	€176,00
Calibration, ISO 17025	<b>189766</b>	For Individual Weight, 1,000 kg Class M1 ACCREDIA	€198,00
Calibration, ISO 17026	<b>189767</b>	For Individual Weight, 2,000 kg Class M1 ACCREDIA	€220,00

# Class M1

Individual Weights, Stainless Steel



CALIBRATION WEIGHTS

www.ricelake.com/global | Phone: +31 (0) 26 472 1319

RICE LAKE

## Part Number/Price

Class M1			
Weight	Part #	Description	Price
1 mg	189717	Stainless Steel. Density is 7.95 grams per cubic centimeter	€4,40
2 mg	189718	Stainless Steel. Density is 7.95 grams per cubic centimeter	€4,40
5 mg	189719	Stainless Steel. Density is 7.95 grams per cubic centimeter	€4,40
10 mg	189720	Stainless Steel. Density is 7.95 grams per cubic centimeter	€4,40
20 mg	189721	Stainless Steel. Density is 7.95 grams per cubic centimeter	€4,40
50 mg	189722	Stainless Steel. Density is 7.95 grams per cubic centimeter	€4,40
100 mg	189723	Stainless Steel. Density is 7.95 grams per cubic centimeter	€4,40
200 mg	189724	Stainless Steel. Density is 7.95 grams per cubic centimeter	€4,40
500 mg	189725	Stainless Steel. Density is 7.95 grams per cubic centimeter	€4,40
1 g	189726	Stainless Steel. Density is 7.95 grams per cubic centimeter	€5,10
2 g	189727	Stainless Steel. Density is 7.95 grams per cubic centimeter	€5,70
5 g	189728	Stainless Steel. Density is 7.95 grams per cubic centimeter	€6,20
10 g	189729	Stainless Steel. Density is 7.95 grams per cubic centimeter	€6,60
20 g	189730	Stainless Steel. Density is 7.95 grams per cubic centimeter	€7,20
50 g	189731	Stainless Steel. Density is 7.95 grams per cubic centimeter	€8,20
100 g	189732	Stainless Steel. Density is 7.95 grams per cubic centimeter	€13,00
200 g	189733	Stainless Steel. Density is 7.95 grams per cubic centimeter	€20,00
500 g	189734	Stainless Steel. Density is 7.95 grams per cubic centimeter	€31,00
1 kg	189735	Stainless Steel. Density is 7.95 grams per cubic centimeter	€48,00
2 kg	189736	Stainless Steel. Density is 7.95 grams per cubic centimeter	€85,00
5 kg	189737	Stainless Steel. Density is 7.95 grams per cubic centimeter	€165,00
10 kg	189738	Stainless Steel. Density is 7.95 grams per cubic centimeter	€308,00
20 kg	189739	Stainless Steel. Density is 7.95 grams per cubic centimeter	€649,00
Calibration			
Calibration, ISO 17025	189740	For Individual Weight, 1 mg to 1 kg Class M1 ACCREDIA	€20,00
Calibration, ISO 17025	189741	For Individual Weight, 2 kg to 5 kg Class M1 ACCREDIA	€22,00
Calibration, ISO 17025	189742	For Individual Weight, 10 kg Class M1 ACCREDIA	€31,00
Calibration, ISO 17025	189743	For Individual Weight, 20 kg Class M1 ACCREDIA	€42,00

# Class M1

Individual Weights, Disk

## Part Number/Price

Class M1			
Weight	Part #	Description	Price
5 kg	<b>189768</b>	Density is 7.80 grams per cubic centimeter	€314,00
10 kg	<b>189769</b>	Density is 7.80 grams per cubic centimeter	€347,00
5 kg	<b>189770</b>	Density is 7.80 grams per cubic centimeter	€325,00
10 kg	<b>189771</b>	Density is 7.80 grams per cubic centimeter	€358,00
20 kg	<b>189772</b>	Density is 7.80 grams per cubic centimeter	€429,00
Calibration			
Calibration, ISO 17025	<b>189740</b>	For Individual Weight, 1 mg to 1 kg Class M1 ACCREDIA	€20,00
Calibration, ISO 17025	<b>189741</b>	For Individual Weight, 2 kg to 5 kg Class M1 ACCREDIA	€22,00
Calibration, ISO 17025	<b>189742</b>	For Individual Weight, 10 kg Class M1 ACCREDIA	€31,00
Calibration, ISO 17025	<b>189743</b>	For Individual Weight, 20 kg Class M1 ACCREDIA	€42,00

# Class F1

Individual Weights, Stainless Steel

## Part Number/Price

Class F1			
Weight	Part #	Description	Price
1 mg	<b>189773</b>	Stainless Steel. Density is 7.95 grams per cubic centimeter	€7,70
2 mg	<b>189774</b>	Stainless Steel. Density is 7.95 grams per cubic centimeter	€7,70
5 mg	<b>189775</b>	Stainless Steel. Density is 7.95 grams per cubic centimeter	€7,70
10 mg	<b>189776</b>	Stainless Steel. Density is 7.95 grams per cubic centimeter	€7,70
20 mg	<b>189777</b>	Stainless Steel. Density is 7.95 grams per cubic centimeter	€7,70
50 mg	<b>189778</b>	Stainless Steel. Density is 7.95 grams per cubic centimeter	€7,70
100 mg	<b>189779</b>	Stainless Steel. Density is 7.95 grams per cubic centimeter	€7,70
200 mg	<b>189780</b>	Stainless Steel. Density is 7.95 grams per cubic centimeter	€7,70
500 mg	<b>189781</b>	Stainless Steel. Density is 7.95 grams per cubic centimeter	€7,70
1 g	<b>189782</b>	Stainless Steel. Density is 7.95 grams per cubic centimeter	€8,80
2 g	<b>189783</b>	Stainless Steel. Density is 7.95 grams per cubic centimeter	€8,80
5 g	<b>189784</b>	Stainless Steel. Density is 7.95 grams per cubic centimeter	€8,80
10 g	<b>189785</b>	Stainless Steel. Density is 7.95 grams per cubic centimeter	€14,00
20 g	<b>189786</b>	Stainless Steel. Density is 7.95 grams per cubic centimeter	€18,00
50 g	<b>189787</b>	Stainless Steel. Density is 7.95 grams per cubic centimeter	€18,00
100 g	<b>189788</b>	Stainless Steel. Density is 7.95 grams per cubic centimeter	€20,00
200 g	<b>189789</b>	Stainless Steel. Density is 7.95 grams per cubic centimeter	€24,00
500 g	<b>189790</b>	Stainless Steel. Density is 7.95 grams per cubic centimeter	€39,00
1 kg	<b>189791</b>	Stainless Steel. Density is 7.95 grams per cubic centimeter	€69,00
2 kg	<b>189792</b>	Stainless Steel. Density is 7.95 grams per cubic centimeter	€99,00
5 kg	<b>189793</b>	Stainless Steel. Density is 7.95 grams per cubic centimeter	€209,00
10 kg	<b>189794</b>	Stainless Steel. Density is 7.95 grams per cubic centimeter	€336,00
20 kg	<b>189795</b>	Stainless Steel. Density is 7.95 grams per cubic centimeter	€649,00
Calibration			
Calibration, ISO 17025	<b>189796</b>	For Individual Weight, 1 mg to 50 g Class F1 ACCREDIA	€20,00
Calibration, ISO 17025	<b>189797</b>	For Individual Weight, 400 g to 1 kg Class F1 ACCREDIA	€22,00
Calibration, ISO 17025	<b>189798</b>	For Individual Weight, 2 kg to 10 kg Class F1 ACCREDIA	€31,00
Calibration, ISO 17025	<b>189799</b>	For Individual Weight, 20 kg Class F1 ACCREDIA	€42,00

# Class E2

Individual Weights, Stainless Steel

## Part Number/Price

Class E2			
Weight	Part #	Description	Price
1 mg	<b>189800</b>	Stainless Steel. Density is 7.95 grams per cubic centimeter	€27,00
2 mg	<b>189801</b>	Stainless Steel. Density is 7.95 grams per cubic centimeter	€27,00
5 mg	<b>189802</b>	Stainless Steel. Density is 7.95 grams per cubic centimeter	€27,00
10 mg	<b>189803</b>	Stainless Steel. Density is 7.95 grams per cubic centimeter	€27,00
20 mg	<b>189804</b>	Stainless Steel. Density is 7.95 grams per cubic centimeter	€27,00
50 mg	<b>189805</b>	Stainless Steel. Density is 7.95 grams per cubic centimeter	€27,00
100 mg	<b>189806</b>	Stainless Steel. Density is 7.95 grams per cubic centimeter	€27,00
200 mg	<b>189807</b>	Stainless Steel. Density is 7.95 grams per cubic centimeter	€27,00
500 mg	<b>189808</b>	Stainless Steel. Density is 7.95 grams per cubic centimeter	€27,00
1 g	<b>189809</b>	Stainless Steel. Density is 7.95 grams per cubic centimeter	€39,00
2 g	<b>189810</b>	Stainless Steel. Density is 7.95 grams per cubic centimeter	€39,00
5 g	<b>189811</b>	Stainless Steel. Density is 7.95 grams per cubic centimeter	€39,00
10 g	<b>189812</b>	Stainless Steel. Density is 7.95 grams per cubic centimeter	€40,00
20 g	<b>189813</b>	Stainless Steel. Density is 7.95 grams per cubic centimeter	€43,00
50 g	<b>189814</b>	Stainless Steel. Density is 7.95 grams per cubic centimeter	€52,00
100 g	<b>189815</b>	Stainless Steel. Density is 7.95 grams per cubic centimeter	€60,00
200 g	<b>189816</b>	Stainless Steel. Density is 7.95 grams per cubic centimeter	€69,00
500 g	<b>189817</b>	Stainless Steel. Density is 7.95 grams per cubic centimeter	€121,00
1 kg	<b>189818</b>	Stainless Steel. Density is 7.95 grams per cubic centimeter	€259,00
2 kg	<b>189819</b>	Stainless Steel. Density is 7.95 grams per cubic centimeter	€379,00
5 kg	<b>189820</b>	Stainless Steel. Density is 7.95 grams per cubic centimeter	€671,00
10 kg	<b>189821</b>	Stainless Steel. Density is 7.95 grams per cubic centimeter	€935,00
Calibration			
Calibration, ISO 17025	<b>189822</b>	For Individual Weight, 1 mg to 50 g Class E2	€40,00
Calibration, ISO 17025	<b>189823</b>	For Individual Weight, 100 g to 1 kg Class E2	€55,00
Calibration, ISO 17025	<b>189824</b>	For Individual Weight, 2 kg to 10 kg Class E2	€66,00

# Class E1

Individual Weights, Stainless Steel

## Part Number/Price

Class E1			
Weight	Part #	Description	Price
1 mg	<b>189825</b>	Stainless Steel. Density is 7.95 grams per cubic centimeter	€105,00
2 mg	<b>189826</b>	Stainless Steel. Density is 7.95 grams per cubic centimeter	€105,00
5 mg	<b>189827</b>	Stainless Steel. Density is 7.95 grams per cubic centimeter	€105,00
10 mg	<b>189828</b>	Stainless Steel. Density is 7.95 grams per cubic centimeter	€105,00
20 mg	<b>189829</b>	Stainless Steel. Density is 7.95 grams per cubic centimeter	€105,00
50 mg	<b>189830</b>	Stainless Steel. Density is 7.95 grams per cubic centimeter	€105,00
100 mg	<b>189831</b>	Stainless Steel. Density is 7.95 grams per cubic centimeter	€105,00
200 mg	<b>189832</b>	Stainless Steel. Density is 7.95 grams per cubic centimeter	€105,00
500 mg	<b>189833</b>	Stainless Steel. Density is 7.95 grams per cubic centimeter	€105,00
1 g	<b>189834</b>	Stainless Steel. Density is 7.95 grams per cubic centimeter	€169,00
2 g	<b>189835</b>	Stainless Steel. Density is 7.95 grams per cubic centimeter	€180,00
5 g	<b>189836</b>	Stainless Steel. Density is 7.95 grams per cubic centimeter	€195,00
10 g	<b>189837</b>	Stainless Steel. Density is 7.95 grams per cubic centimeter	€211,00
20 g	<b>189838</b>	Stainless Steel. Density is 7.95 grams per cubic centimeter	€229,00
50 g	<b>189839</b>	Stainless Steel. Density is 7.95 grams per cubic centimeter	€275,00
100 g	<b>189840</b>	Stainless Steel. Density is 7.95 grams per cubic centimeter	€325,00
200 g	<b>189841</b>	Stainless Steel. Density is 7.95 grams per cubic centimeter	€392,00
500 g	<b>189842</b>	Stainless Steel. Density is 7.95 grams per cubic centimeter	€566,00
1 kg	<b>189843</b>	Stainless Steel. Density is 7.95 grams per cubic centimeter	€858,00
2 kg	<b>189844</b>	Stainless Steel. Density is 7.95 grams per cubic centimeter	€1.273,00
5 kg	<b>189845</b>	Stainless Steel. Density is 7.95 grams per cubic centimeter	€2.141,00
10 kg	<b>189846</b>	Stainless Steel. Density is 7.95 grams per cubic centimeter	€3.090,00
Calibration			
Calibration, ISO 17025	<b>189847</b>	For Individual Weight, 1mg to 500MG Class E1 ACCREDIA	€55,00
Calibration, ISO 17025	<b>189848</b>	DAKKS For Individual Weight, 1 g to 1 kg Class E1	€124,00
Calibration, ISO 17025	<b>189849</b>	DAKKS For Individual Weight, 2 kg to 10 kg Class E1	€147,00
Calibration, ISO 17025	<b>189850</b>	DAKKS For Individual Weight, 1 g to 1 kg Class E1. Includes Volume Determination.	€386,00
Calibration, ISO 17026	<b>189851</b>	DAKKS For Individual Weight, 2 kg to 10 kg Class E1. Includes Volume Determination.	€941,00

CALIBRATION WEIGHTS

www.ricelake.com/global | Phone: +31 (0) 26 472 1319

RICE LAKE

# Class M1

## Weight Sets, Stainless Steel



PN 189857



PN 189858



PN 189860

### Part Number/Price

Class M1			
Weight Set	Part #	Description	Price
1 mg to 500 mg	189852	Stainless Steel, Class M1. Density is 7.95 grams per cubic centimeter. Wooden case.	€77,00
1 mg to 50 g	189853	Stainless Steel, Class M1. Density is 7.95 grams per cubic centimeter. Wooden case.	€148,00
1 mg to 100 g	189854	Stainless Steel, Class M1. Density is 7.95 grams per cubic centimeter. Wooden case.	€160,00
1 mg to 200 g	189855	Stainless Steel, Class M1. Density is 7.95 grams per cubic centimeter. Wooden case.	€259,00
1 mg to 500 g	189856	Stainless Steel, Class M1. Density is 7.95 grams per cubic centimeter. Wooden case.	€281,00
1 mg to 1 kg	189857	Stainless Steel, Class M1. Density is 7.95 grams per cubic centimeter. Wooden case.	€325,00
1 mg to 2 kg	189858	Stainless Steel, Class M1. Density is 7.95 grams per cubic centimeter. Wooden case.	€523,00
1 mg to 5 kg	189859	Stainless Steel, Class M1. Density is 7.95 grams per cubic centimeter. Wooden case.	€704,00
1 mg to 10 kg	189860	Stainless Steel, Class M1. Density is 7.95 grams per cubic centimeter. Wooden case.	€1.089,00
1 g to 50 g	189861	Stainless Steel, Class M1. Density is 7.95 grams per cubic centimeter. Wooden case.	€95,00
1 g to 100 g	189862	Stainless Steel, Class M1. Density is 7.95 grams per cubic centimeter. Wooden case.	€107,00
1 g to 200 g	189863	Stainless Steel, Class M1. Density is 7.95 grams per cubic centimeter. Wooden case.	€209,00
1 g to 500 g	189864	Stainless Steel, Class M1. Density is 7.95 grams per cubic centimeter. Wooden case.	€242,00
1 g to 1 kg	189865	Stainless Steel, Class M1. Density is 7.95 grams per cubic centimeter. Wooden case.	€286,00
1 g to 2 kg	189866	Stainless Steel, Class M1. Density is 7.95 grams per cubic centimeter. Wooden case.	€506,00
1 g to 5 kg	189867	Stainless Steel, Class M1. Density is 7.95 grams per cubic centimeter. Wooden case.	€649,00
1 g to 10 kg	189868	Stainless Steel, Class M1. Density is 7.95 grams per cubic centimeter. Wooden case.	€1.023,00
Calibration			
Calibration, ISO 17025	189869	For Weight Set, 1 mg to 500 mg Class M1. ACCREDIA	€102,00
Calibration, ISO 17025	189870	For Weight Set, 1 mg to 50 g Class M1. ACCREDIA	€169,00
Calibration, ISO 17025	189871	For Weight Set, 1 mg to 100 g Class M1. ACCREDIA	€178,00
Calibration, ISO 17025	189872	For Weight Set, 1 mg to 200 g Class M1. ACCREDIA	€194,00
Calibration, ISO 17025	189873	For Weight Set, 1 mg to 500 g Class M1. ACCREDIA	€203,00
Calibration, ISO 17025	189874	For Weight Set, 1 mg to 1 kg Class M1. ACCREDIA	€211,00
Calibration, ISO 17025	189875	For Weight Set, 1 mg to 2 kg Class M1. ACCREDIA	€228,00
Calibration, ISO 17025	189876	For Weight Set, 1 mg to 5 kg Class M1. ACCREDIA	€236,00
Calibration, ISO 17025	189877	For Weight Set, 1 mg to 10 kg Class M1. ACCREDIA	€245,00
Calibration, ISO 17025	189878	For Weight Set, 1 g to 50 g Class M1. ACCREDIA	€68,00
Calibration, ISO 17025	189879	For Weight Set, 1 g to 100 g Class M1. ACCREDIA	€76,00
Calibration, ISO 17025	189880	For Weight Set, 1 g to 200 g Class M1. ACCREDIA	€93,00
Calibration, ISO 17025	189881	For Weight Set, 1 g to 500 g Class M1. ACCREDIA	€102,00
Calibration, ISO 17025	189882	For Weight Set, 1 g to 1 kg Class M1. ACCREDIA	€109,00
Calibration, ISO 17025	189883	For Weight Set, 1 g to 2 kg Class M1. ACCREDIA	€127,00
Calibration, ISO 17025	189884	For Weight Set, 1 g to 5 kg Class M1. ACCREDIA	€135,00
Calibration, ISO 17025	189885	For Weight Set, 1 g to 10 kg Class M1. ACCREDIA	€143,00

## Part Number/Price

Class F1			
Weight Set	Part #	Description	Price
1 mg to 500 mg	<b>189886</b>	Stainless Steel, Class F1. Density is 7.95 grams per cubic centimeter. Wooden case.	€116,00
1 mg to 50 g	<b>189887</b>	Stainless Steel, Class F1. Density is 7.95 grams per cubic centimeter. Wooden case.	€220,00
1 mg to 100 g	<b>189888</b>	Stainless Steel, Class F1. Density is 7.95 grams per cubic centimeter. Wooden case.	€237,00
1 mg to 200 g	<b>189889</b>	Stainless Steel, Class F1. Density is 7.95 grams per cubic centimeter. Wooden case.	€352,00
1 mg to 500 g	<b>189890</b>	Stainless Steel, Class F1. Density is 7.95 grams per cubic centimeter. Wooden case.	€385,00
1 mg to 1 kg	<b>189891</b>	Stainless Steel, Class F1. Density is 7.95 grams per cubic centimeter. Wooden case.	€457,00
1 mg to 2 kg	<b>189892</b>	Stainless Steel, Class F1. Density is 7.95 grams per cubic centimeter. Wooden case.	€66,00
1 mg to 5 kg	<b>189893</b>	Stainless Steel, Class F1. Density is 7.95 grams per cubic centimeter. Wooden case.	€935,00
1 mg to 10 kg	<b>189894</b>	Stainless Steel, Class F1. Density is 7.95 grams per cubic centimeter. Wooden case.	€1.336,00
1 g to 50 g	<b>189895</b>	Stainless Steel, Class F1. Density is 7.95 grams per cubic centimeter. Wooden case.	€138,00
1 g to 100 g	<b>189896</b>	Stainless Steel, Class F1. Density is 7.95 grams per cubic centimeter. Wooden case.	€160,00
1 g to 200 g	<b>189897</b>	Stainless Steel, Class F1. Density is 7.95 grams per cubic centimeter. Wooden case.	€275,00
1 g to 500 g	<b>189898</b>	Stainless Steel, Class F1. Density is 7.95 grams per cubic centimeter. Wooden case.	€292,00
1 g to 1 kg	<b>189899</b>	Stainless Steel, Class F1. Density is 7.95 grams per cubic centimeter. Wooden case.	€396,00
1 g to 2 kg	<b>189900</b>	Stainless Steel, Class F1. Density is 7.95 grams per cubic centimeter. Wooden case.	€627,00
1 g to 5 kg	<b>189901</b>	Stainless Steel, Class F1. Density is 7.95 grams per cubic centimeter. Wooden case.	€825,00
1 g to 10 kg	<b>189902</b>	Stainless Steel, Class F1. Density is 7.95 grams per cubic centimeter. Wooden case.	€1.243,00
Calibration			
Calibration, ISO 17025	<b>189903</b>	For Weight Set, 1 mg to 500 mg Class F1. ACCREDIA	€119,00
Calibration, ISO 17025	<b>189904</b>	For Weight Set, 1 mg to 50 g Class F1. ACCREDIA	€198,00
Calibration, ISO 17025	<b>189905</b>	For Weight Set, 1 mg to 100 g Class F1. ACCREDIA	€209,00
Calibration, ISO 17025	<b>189906</b>	For Weight Set, 1 mg to 200 g Class F1. ACCREDIA	€242,00
Calibration, ISO 17025	<b>189907</b>	For Weight Set, 1 mg to 500 g Class F1. ACCREDIA	€259,00
Calibration, ISO 17025	<b>189908</b>	For Weight Set, 1 mg to 1 kg Class F1. ACCREDIA	€264,00
Calibration, ISO 17025	<b>189909</b>	For Weight Set, 1 mg to 2 kg Class F1. ACCREDIA	€308,00
Calibration, ISO 17025	<b>189910</b>	For Weight Set, 1 mg to 5 kg Class F1. ACCREDIA	€330,00
Calibration, ISO 17025	<b>189911</b>	For Weight Set, 1 mg to 10 kg Class F1. ACCREDIA	€352,00
Calibration, ISO 17025	<b>189912</b>	For Weight Set, 1 g to 50 g Class F1. ACCREDIA	€83,00
Calibration, ISO 17025	<b>189913</b>	For Weight Set, 1 g to 100 g Class F1. ACCREDIA	€94,00
Calibration, ISO 17025	<b>189914</b>	For Weight Set, 1 g to 200 g Class F1. ACCREDIA	€121,00
Calibration, ISO 17025	<b>189915</b>	For Weight Set, 1 g to 500 g Class F1. ACCREDIA	€132,00
Calibration, ISO 17025	<b>189916</b>	For Weight Set, 1 g to 1 kg Class F1. ACCREDIA	€143,00
Calibration, ISO 17025	<b>189917</b>	For Weight Set, 1 g to 2 kg Class F1. ACCREDIA	€187,00
Calibration, ISO 17025	<b>189918</b>	For Weight Set, 1 g to 5 kg Class F1. ACCREDIA	€209,00
Calibration, ISO 17025	<b>189919</b>	For Weight Set, 1 g to 10kg Class F1. ACCREDIA	€231,00

# Class E2

Weight Sets, Stainless Steel

## Part Number/Price

Class E2			
Weight Set	Part #	Description	Price
1 mg to 500 mg	189920	Stainless Steel, Class E2. Density is 7.95 grams per cubic centimeter. Wooden case.	€352,00
1 mg to 50 g	189921	Stainless Steel, Class E2. Density is 7.95 grams per cubic centimeter. Wooden case.	€737,00
1 mg to 100 g	189922	Stainless Steel, Class E2. Density is 7.95 grams per cubic centimeter. Wooden case.	€798,00
1 mg to 200 g	189923	Stainless Steel, Class E2. Density is 7.95 grams per cubic centimeter. Wooden case.	€968,00
1 mg to 500 g	189924	Stainless Steel, Class E2. Density is 7.95 grams per cubic centimeter. Wooden case.	€1.117,00
1 mg to 1 kg	189925	Stainless Steel, Class E2. Density is 7.95 grams per cubic centimeter. Wooden case.	€1.375,00
1 mg to 2 kg	189926	Stainless Steel, Class E2. Density is 7.95 grams per cubic centimeter. Wooden case.	€2.178,00
1 mg to 5 kg	189927	Stainless Steel, Class E2. Density is 7.95 grams per cubic centimeter. Wooden case.	€2.925,00
1 mg to 10 kg	189928	Stainless Steel, Class E2. Density is 7.95 grams per cubic centimeter. Wooden case.	€3.898,00
1 g to 50 g	189929	Stainless Steel, Class E2. Density is 7.95 grams per cubic centimeter. Wooden case.	€380,00
1 g to 100 g	189930	Stainless Steel, Class E2. Density is 7.95 grams per cubic centimeter. Wooden case.	€418,00
1 g to 200 g	189931	Stainless Steel, Class E2. Density is 7.95 grams per cubic centimeter. Wooden case.	€649,00
1 g to 500 g	189932	Stainless Steel, Class E2. Density is 7.95 grams per cubic centimeter. Wooden case.	€798,00
1 g to 1 kg	189933	Stainless Steel, Class E2. Density is 7.95 grams per cubic centimeter. Wooden case.	€1.100,00
1 g to 2 kg	189934	Stainless Steel, Class E2. Density is 7.95 grams per cubic centimeter. Wooden case.	€1.870,00
1 g to 5 kg	189935	Stainless Steel, Class E2. Density is 7.95 grams per cubic centimeter. Wooden case.	€2.606,00
1 g to 10 kg	189936	Stainless Steel, Class E2. Density is 7.95 grams per cubic centimeter. Wooden case.	€3.519,00
Calibration			
Calibration, ISO 17025	189937	For Weight Set, 1 mg to 500 mg Class E2. ACCREDIA	€284,00
Calibration, ISO 17025	189938	For Weight Set, 1 mg to 50 g Class E2. ACCREDIA	€473,00
Calibration, ISO 17025	189939	For Weight Set, 1 mg to 100 g Class E2. ACCREDIA	€512,00
Calibration, ISO 17025	189940	For Weight Set, 1 mg to 200 g Class E2. ACCREDIA	€590,00
Calibration, ISO 17025	189941	For Weight Set, 1 mg to 500 g Class E2. ACCREDIA	€629,00
Calibration, ISO 17025	189942	For Weight Set, 1 mg to 1 kg Class E2. ACCREDIA	€668,00
Calibration, ISO 17025	189943	For Weight Set, 1 mg to 2 kg Class E2. ACCREDIA	€769,00
Calibration, ISO 17025	189944	For Weight Set, 1 mg to 5 kg Class E2. ACCREDIA	€819,00
Calibration, ISO 17025	189945	For Weight Set, 1 mg to 10 kg Class E2. ACCREDIA	€885,00
Calibration, ISO 17025	189946	For Weight Set, 1 g to 50 g Class E2. ACCREDIA	€190,00
Calibration, ISO 17025	189947	For Weight Set, 1 g to 100 g Class E2. ACCREDIA	€228,00
Calibration, ISO 17025	189948	For Weight Set, 1 g to 200 g Class E2. ACCREDIA	€307,00
Calibration, ISO 17025	189949	For Weight Set, 1 g to 500 g Class E2. ACCREDIA	€346,00
Calibration, ISO 17025	189950	For Weight Set, 1 g to 1 kg Class E2. ACCREDIA	€385,00
Calibration, ISO 17025	189951	For Weight Set, 1 g to 2 kg Class E2. ACCREDIA	€485,00
Calibration, ISO 17025	189952	For Weight Set, 1 g to 5 kg Class E2. ACCREDIA	€535,00
Calibration, ISO 17025	189953	For Weight Set, 1 g to 10 kg Class E2. ACCREDIA	€605,00

## Part Number/Price

Cases and Accessories			
Weight	Part #	Description	Price
Weight Case, Plastic	189954	For Individual Weights, 1 mg to 100 g. Weight Sold Separately	€3,30
Weight Case, Plastic	189955	For Individual Weights, 200 g. Weight Sold Separately	€3,30
Weight Case, Plastic	189956	For Individual Weights, 500 g. Weight Sold Separately	€3,30
Weight Case, Plastic	189957	For Individual Weights, 1 kg. Weight Sold Separately	€5,00
Weight Case, Plastic	189958	For Individual Weights, 2 kg. Weight Sold Separately	€5,00
Weight Case, Plastic	189959	For Individual Weights, 5 kg. Weight Sold Separately	€14,00
Weight Case, Plastic	189960	For Individual Weights, 10 kg. Weight Sold Separately	€14,00
Weight Case, Plastic	189961	For Set of Weights From 1 mg to 5 g	€33,00
Weight Case, Plastic	189962	For Set of Weights From 100 g to 5 kg	€27,00
Weight Case, Plastic	189963	For Set of Weights From 1 mg to 2 kg	€64,00
Weight Case, Plastic	189964	For Set of Weights From 1 g to 500 g	€77,00
Weight Case, Plastic	189965	For Set of Weights From 1 mg to 500 g	€110,00
Weight Case, Plastic	189966	For Set of Weights From 1 g to 5 kg	€193,00
Weight Case, Plastic	189967	For Set of Weights From 1 mg to 5 kg	€226,00
Weight Case, Wooden	189968	For Individual Weights, 1 mg to 500 mg. Weight Sold Separately	€27,00
Weight Case, Wooden	189969	For Individual Weights, 1 g. Weight Sold Separately	€27,00
Weight Case, Wooden	189970	For Individual Weights, 2 g. Weight Sold Separately	€27,00
Weight Case, Wooden	189971	For Individual Weights, 5 g. Weight Sold Separately	€27,00
Weight Case, Wooden	189972	For Individual Weights, 10 g. Weight Sold Separately	€27,00
Weight Case, Wooden	189973	For Individual Weights, 20 g. Weight Sold Separately	€27,00
Weight Case, Wooden	189974	For Individual Weights, 50 g. Weight Sold Separately	€27,00
Weight Case, Wooden	189975	For Individual Weights, 100 g. Weight Sold Separately	€27,00
Weight Case, Wooden	189976	For Individual Weights, 200 g. Weight Sold Separately	€27,00
Weight Case, Wooden	189977	For Individual Weights, 500 g. Weight Sold Separately	€33,00
Weight Case, Wooden	189978	For Individual Weights, 1 kg. Weight Sold Separately	€42,00
Weight Case, Wooden	189979	For Individual Weights, 2 kg. Weight Sold Separately	€49,00
Weight Case, Wooden	189980	For Individual Weights, 5 kg. Weight Sold Separately	€132,00
Weight Case, Wooden	189981	For Individual Weights, 10 kg. Weight Sold Separately	€149,00
Weight Case, Wooden	189982	For Individual Weights, 20 kg. Weight Sold Separately	€198,00
Weight Case, Aluminum	189983	For Individual Weights, 5 kg. Weight Sold Separately	€39,00
Weight Case, Aluminum	189984	For Individual Weights, 10 kg. Weight Sold Separately	€50,00
Weight Case, Aluminum	189985	For Individual Weights, 20 kg. Weight Sold Separately	€55,00
Weight Case, Aluminum	189986	For Individual Weight, 5 kg. Cast Iron Weight Sold Separately	€39,00
Weight Case, Aluminum	189987	For Individual Weight, 10 kg. Cast Iron Weight Sold Separately	€46,00
Weight Case, Aluminum	189988	For Individual Weight, 20 kg. Cast Iron Weight Sold Separately	€53,00
Weight Case, Wooden	189989	For Set of Weights From 1 mg to 100 g	€42,00
Weight Case, Wooden	189990	For Set of Weights From 1 mg to 1 kg. Class M1/F1	€127,00
Weight Case, Wooden	189991	For Set of Weights From 1 mg to 2 kg. Class M1/F1	€165,00
Weight Case, Wooden	189992	For Set of Weights From 1 mg to 5 kg. Class M1/F1	€198,00
Weight Case, Wooden	189993	For Set of Weights From 1 mg to 10 kg. Class M1/F1	€242,00
Weight Case, Wooden	189994	For Set of Weights From 1 mg to 1 kg. Class E2/E1	€198,00
Weight Case, Wooden	189995	For Set of Weights From 1 mg to 2 kg. Class E2/E1	€242,00
Weight Case, Wooden	189996	For Set of Weights From 1 mg to 5 kg. Class E2/E1	€275,00
Weight Case, Wooden	189997	For Set of Weights From 1 mg to 10 kg. Class E2/E1	€314,00
Glove, Cotton	189998		€6,60
Dust Brush	189999	100 mm Long	€5,00
Tweezers For Weights	190000	105 mm Long	€14,00
Tweezers For Weights	190001	130 mm Long	€14,00
Tweezers For Weights	190002	230 mm Long	€42,00
Handle, Weight	190003	For Use With 5 kg Weight	€16,00
Handle, Weight	190004	For Use With 10 kg Weight	€20,00
Handle, Weight	190005	For Use With 20 kg Weight	€28,00
Single Certificate	190006	Price Adder For Single Certificates	€1,10



PN 189957



PN 189961



PN 189967



PN 189990



PN 190001



PN 190004



# Checkweighers

## TABLE OF CONTENTS

<b>CW-90</b> .....	<b>44</b>
<i>Over/Under Checkweigher</i>	
<b>CW-90X</b> .....	<b>46</b>
<i>Over/Under Checkweigher Washdown</i>	

Checkweighing applications can benefit from WeighVault™ software, which provides detailed reports and increased ID storage over a network connection.

For more information on WeighVault software, please refer to page 326.



### Looking for products?

Please visit [www.ricelake.com/global](http://www.ricelake.com/global) for current product pricing or call our European office at +31 (0) 26 472 1319 to talk to an industry expert about our product offerings and customized solutions.

# CW-90

Over/Under Checkweigher



## Standard Features

- Membrane keypad consisting of zero, units, print, tare, over, under, ID, target, 0-9, clear, decimal, enter, menu, power
- 304 stainless steel, IP66 rated indicator
- PreVent™ breather vent
- Storage for up to 50 IDs
- Unit of measure: kg, gm, lb, oz, lb/oz (lb/oz is not Legal for Trade)
- High-intensity LED display
- Battery backed time and date
- Two full duplex RS-232 serial ports
- Configurable print formats
- Audit trail tracking
- Optional communications: Ethernet, USB or fiber optic
- Four configurable Digital I/O
- Reflash memory to upgrade firmware

### Scale:

- Aluminum, environmentally sealed load cell
- 304 stainless steel
- Meets HACCP requirements
- Five point overload protection

Additional models are available with the approvals shown here  
Please consult the factory for part numbers.



Measurement  
Canada  
Approved



## Specifications

### Power - AC:

Line voltages: 230VAC  
Frequency: 50/60 Hz

### Power Consumption:

0,75A at 230VAC (8W)

### Excitation Voltage:

+5VDC 8 x 350Ω or  
16 x 700Ω load cells

### Analog Signal Input Range:

-0,5 mV/V - 4,5 mV/V

### Analog Signal Sensitivity:

0,3 uV/graduation minimum, 1,5 uV/ graduation recommended

### Measurement Rate:

960, 480, 240, 120, 60, 30, 15, 7,5 per second

### System Linearity:

± 0,01% full scale

### Digital I/O:

Four channels on CPU board

### Circuit Protection:

RFI, EMI, ESD protection

### Display:

Large 20 mm 14 segment, six-digit high-intensity red LED display

### Status Annunciators:

Designators for percent, kg, gm, lb, oz, center of zero, G/B, N, T, PT, neg, motion

### Operating Temperature:

Legal: -10° C to 40° C

### Rating/Material:

IP66, stainless steel

### Display Resolution:

100.000 graduations maximum

### Load Cell:

Aluminum, environmentally sealed

### Warranty:

Two-year limited warranty

## Approvals



Part Number/Price

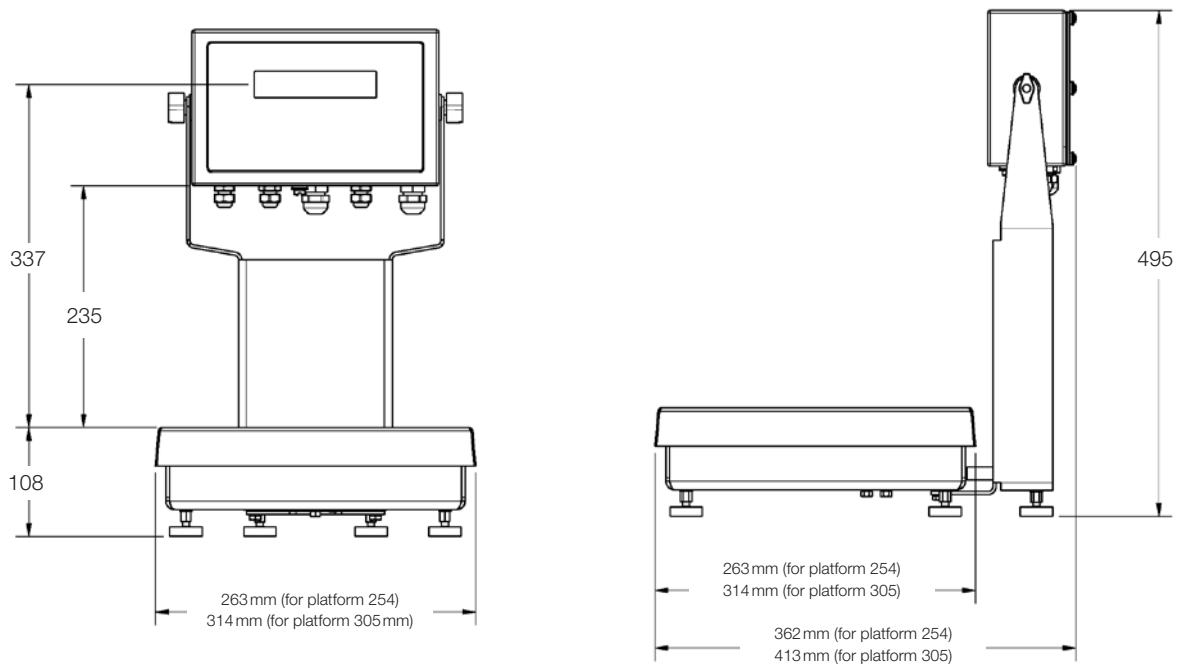
Part #	Capacity	Platform Dimensions	Column Height	Est. Weight	Price
<b>230 VAC CE marked/OIML approved</b>					
106123	3 x 0,001 kg	254 x 254 x 108 mm	305 mm	13,2 kg	€1.378,00
106124	6 x 0,002 kg	254 x 254 x 108 mm	305 mm	13,2 kg	€1.378,00
106125	15 x 0,005 kg	254 x 254 x 108 mm	305 mm	13,2 kg	€1.378,00
106126	15 x 0,005 kg	305 x 305 x 108 mm	305 mm	15 kg	€1.459,00
106127	30 x 0,01 kg	305 x 305 x 108 mm	305 mm	15 kg	€1.459,00
106128	60 x 0,02 kg	305 x 305 x 108 mm	305 mm	15 kg	€1.459,00



Options/Accessories

Part #	Description	Price
77142	Ethernet TCP/IP	€399,00
108671	Wireless LAN card Wi-Fi 802,11 A/B	€542,00
93245	USB Port (PC connection only) cable included	€176,00
95357	USB cable, Type A to mini-B, 1 meter	€11,00
96736	Fiber optic board	€262,00
78026	Fiber optic, duplex cable 30,480 mm	€152,00
80892	Fiber optic cutter	€11,00
117358	WeighVault™ (requires part number 77142 or 108671)	€238,00
Consult*	Calibration without certificate	Consult
Consult*	Verification 0-30 kg with certificate	Consult
Consult*	Verification 30-150 kg with certificate	Consult

\*Verification service fees are net charges, no discount



# CW-90X

Over/Under Checkweigher Washdown



## Specifications

### Power-AC:

Line voltages: 230 VAC  
Frequency: 50/60 Hz

### Power Consumption:

0,75 A at 230 VAC (8 W)

### Excitation Voltage:

+5 VDC 8 x 350 Ω or  
16 x 700 Ω load cells

### Analog Signal Input Range:

-0,5 mV/V - 4,5 mV/V

### Analog Signal Sensitivity:

0,3 uV/graduation minimum, 1,5 uV/ graduation recommended

### Measurement Rate:

960, 480, 240, 120, 60, 30, 15, 7,5 per second

### System Linearity:

± 0,01% full scale

### Digital I/O:

Four channels on CPU board

### Circuit Protection:

RFI, EMI, ESD protection

### Display:

Large 20 mm 14 segment, six-digit high-intensity red LED display

### Status Annunciators:

Designators for percent, kg, gm, center of zero, G/B, N, T, PT, neg, motion

### Operating Temperature:

Legal: -10° C to 40° C

### Rating/Material:

IP69K, stainless steel

### Display Resolution:

100.000 graduations maximum

### Load Cell:

IP69K, stainless steel hermetically sealed

### Warranty:

Three-year limited warranty

## Standard Features

- Piezo keypad consisting of zero, units, print, tare, over, under, ID, target, enter, menu, power
- 304 stainless steel, IP69K rated indicator
- PreVent™ breather vent
- Storage for up to 50 IDs
- Unit of measure: kg, gm, lb, oz, lb/oz (lb/oz is not Legal for Trade)
- High-intensity LED display
- Battery backed time and date
- Two full duplex RS-232 serial ports
- Configurable print formats
- Audit trail tracking
- Optional communications: Ethernet, USB or fiber optic
- Four configurable digital I/O
- Reflash memory to upgrade firmware

### Scale:

- IP69K, stainless steel hermetically sealed load cell
- 304 stainless steel
- Meets HACCP requirements
- Five point overload protection

## Approvals



Additional models are available with the approvals shown here  
Please consult the factory for part numbers.



Measurement  
Canada  
Approved



Part Number/Price

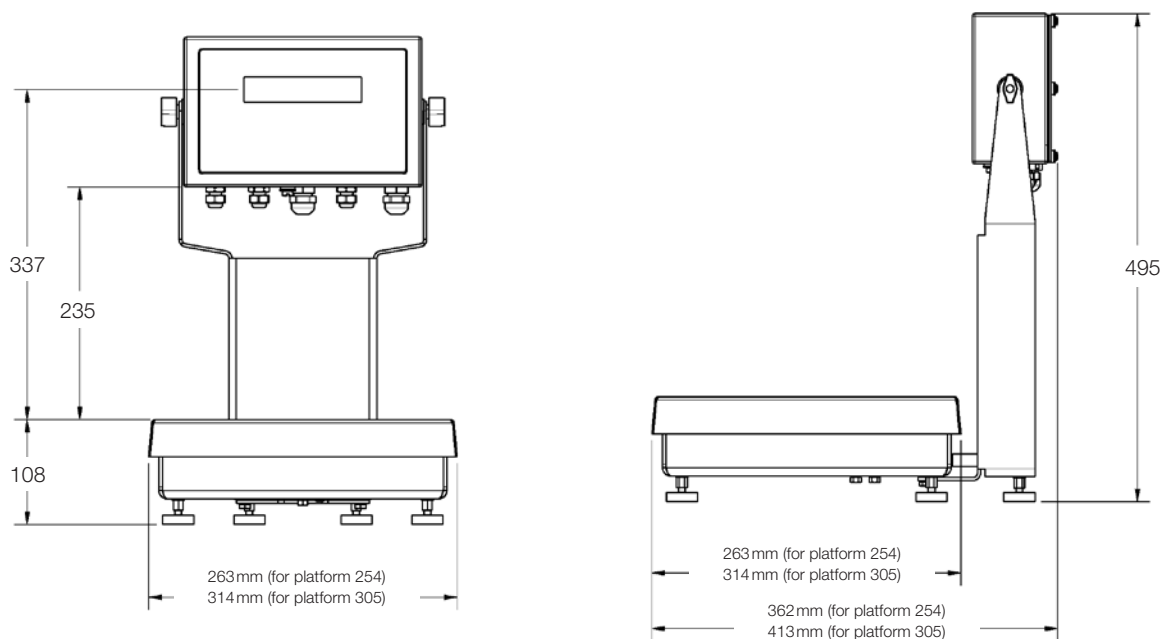
Part #	Capacity	Platform Dimensions	Column Height	Est. Weight	Price
<b>230 VAC CE Marked/OIML Approved</b>					
106129	3 x 0,001 kg	254 x 254 x 108 mm	305 mm	13,2 kg	€1.896,00
106130	6 x 0,002 kg	254 x 254 x 108 mm	305 mm	13,2 kg	€1.896,00
106131	15 x 0,005 kg	254 x 254 x 108 mm	305 mm	13,2 kg	€1.896,00
106132	15 x 0,005 kg	305 x 305 x 108 mm	305 mm	15 kg	€1.976,00
106133	30 x 0,01 kg	305 x 305 x 108 mm	305 mm	15 kg	€1.976,00
106134	60 x 0,02 kg	305 x 305 x 108 mm	305 mm	15 kg	€1.976,00



Options/Accessories

Part #	Description	Price
77142	Ethernet TCP/IP	€399,00
108671	Wireless LAN card Wi-Fi 802,11 A/B	€542,00
93245	USB Port (PC connection only) cable included	€176,00
95357	USB cable, Type A to mini-B, 1 meter	€11,00
96736	Fiber optic board	€262,00
78026	Fiber optic, duplex cable 30,5 meter	€152,00
80892	Fiber optic cutter	€11,00
117358	WeighVault™ (requires part number 77142 or 108671)	€238,00
Consult*	Calibration without certificate	Consult
Consult*	Verification 0-30 kg with certificate	Consult
Consult*	Verification 30-150 kg with certificate	Consult

\*Verification service fees are net charges, no discount





# Crane Scales

## TABLE OF CONTENTS

<b>MSI-3460 CHALLENGER 3</b> .....	50
<b>MSI-4260 PORT-A-WEIGH</b> .....	52
<b>MSI-4260M PORT-A-WEIGH</b> .....	54
<b>MSI-4260 IS INTRINSICALLY SAFE CRANE SCALE PORT-A-WEIGH</b> .....	56
<b>MSI-4300 PORT-A-WEIGH PLUS</b> .....	58
<b>MSI-9300 PORT-A-WEIGH PLUS CELLSCALE™ RF</b> .....	60
<b>MSI-9300HT HI-TORQUE PORT-A-WEIGH PLUS CELLSCALE™ RF</b> .....	62
<b>MSI-6260CS TRANS-WEIGH CELLSCALE™ RF</b> .....	64
<b>MSI-7300 DYNA-LINK 2</b> .....	66
<i>Digital Tension Dynamometer</i>	
<b>MSI DYNA-CLAMP</b> .....	68
<i>Tension Meter</i>	
RF TRANSCEIVERS	
<b>TRANSEND™</b> .....	70
<i>Wireless Load Cell Interface System</i>	
REMOTE DISPLAY	
<b>MSI-8000</b> .....	73
<i>RF Remote Display</i>	
<b>MSI-8004HD</b> .....	74
<i>Indicator/RF LED Remote Display</i>	
<b>MSI-8000HD</b> .....	76
<i>Indicator/Remote Display</i>	
<b>MSI-9020 CELLSCALE™ RF CELLMODEM</b> .....	78

## Looking for products?

Please visit [www.ricelake.com/global](http://www.ricelake.com/global) for current product pricing or call our European office at +31 (0) 26 472 1319 to talk to an industry expert about our product offerings and customized solutions.

# MSI-3460 Challenger 3



## Standard Features

- Crane unit with five-digit, 38 mm LED display
- Top lifting eye and bottom swivel hook
- Lb/kg switch selectable
- Six volt rechargeable battery and universal 115/230 VAC, 50/60 Hz battery charger (NA plug standard)
- Meets or exceeds OSHA, ANSI, ASME and other safety design standards (5:1 Ultimate Safety Factor)
- NTEP Certified (250 lb-10,000 lb capacities)

## Additional Options

(Contact MSI for application consultation)

- Rugged remote control (control for Off, Zero, Tare and other functions)
- RF modem install for connectivity to MSI-8000, MSI-8000HD RF, MSI-8004HD RF remote display (30,5 m line of sight), TranSend and LaserLight2 remote display
- Universal direct power supply (115/230 VAC)
- Audible alarm
- Wi-Fi and Bluetooth® communication are available for specialty applications.



Optional rugged remote

## Specifications

### Accuracy:

+ or - 0,1% or +1 d of applied load

### Resolution:

2.000 to 3.750 d standard (up to 10,000 d available)

### Enclosure:

NEMA Type 4, IP65, powder coated cast aluminum

### Lifting Eye & Hook:

Crosby® or equivalent with 360° non-bearing swivel hook

### Design Overload:

200% Safe / 500% Ultimate

### Functions:

Power: Turns unit on or off

Zero: Zeros applied load up to 100% of capacity (limited range in NTEP/OIML configurations)

Tare: Tares applied load and displays weight in Net mode User: Programmable as test, units, net/gross, total, peak hold and setpoints

### Display:

Five-digit, 38 mm LED with programmable brightness control

### Displayable Units:

Pounds or kilogram selectable

### Annunciators:

COZ, Net, Gross, Total, Peak, Low Battery, lb/kg, Motion, Setpoints, ack in, ack out, rf

### Power:

6 volt rechargeable battery. 115/230 VAC battery charger is included

### Operating Time:

Up to 80 hours between charging with typical use, less with optional RF Modem

### Operating Temperature:

-40° C to 40° C

### Auto-Off Mode:

Select for 15, 30, 45, 60 minutes or select Off

### Auto-Sleep Mode:

Power down during non-use and power up with weight change or any key press

### Service Counters:

Counts number of lifts over percentage of capacity and lifts over capacity

### Calibration:

Digital

### Filtering:

OFF, LO, HI-1, HI-2 selectable

### Warranty:

One-year limited

### Approvals:

NTEP CC 86-021 - 125kg-5,000 kg  
OIML (pending)

## Approvals



pending



pending



## Part Number/Price

Part #	MSI Part #	Description	Capacity	Resolution	Est. Weight	Price
139102	502887-0001	MSI-3460 125 kg/250 kg cap F/A	125 kg 250 kg	0,05 kg 0,1 kg	10 kg	€1.796,00
139103	502887-0002	MSI-3460 500 kg/1.000 kg cap F/A	500 kg 1.000 kg	0,2 kg 0,5 kg	10 kg	€1.891,00
139104	502887-0003	MSI-3460 2.500 kg/5.000 kg cap F/A	2.500 kg 5.000 kg	1 kg 2 kg	18 kg	€2.371,00
139105	502887-0004	MSI-3460 7.000 kg cap F/A	7.000 kg	2 kg	30 kg	€3.245,00
139110	502887-0005	MSI-3460 125 kg/250 kg cap F/A (with RF modem for connectivity to model MSI-8000 and remote)	125 kg 250 kg	0,05 kg 0,1 kg	10 kg	€1.962,00
139111	502887-0010	MSI-3460 500 kg/1.000 kg cap F/A (with RF modem for connectivity to model MSI-8000 and remote)	500 kg 1.000 kg	0,2 kg 0,5 kg	10 kg	€2.086,00
139112	502887-0011	MSI-3460 2.500 kg/5.000 kg cap F/A (with RF modem for connectivity to model MSI-8000 and remote)	2.500 kg 5.000 kg	1 kg 2 kg	18 kg	€2.513,00
139113	–	MSI-3460RF 7.000 kg cap FA (with RF modem for connectivity to model MSI-8000 and remote) Capacity: 7,000 kg Resolution: 2 kg	7.000 kg	2 kg	30 kg	€3.439,00
176905 *	–	MSI-3460 125 kg/250 kg cap F/A with Bluetooth®	125 kg 250 kg	0,05 kg 0,1 kg	10 kg	Consult
176906 *	–	MSI-3460 500 kg/1.000 kg cap F/A with Bluetooth®	500 kg 1.000 kg	0,2 kg 0,5 kg	10 kg	Consult
176907 *	–	MSI-3460 2.500 kg/5.000 kg cap F/A with Bluetooth®	2.500 kg 5.000 kg	1 kg 2 kg	18 kg	Consult
176908 *	–	MSI-3460 7.000 kg cap F/A with Bluetooth®	7.000 kg	2 kg	30 kg	Consult
176909	–	MSI-3460 125 kg/250 kg cap F/A with Wi-Fi	125 kg 250 kg	0,05 kg 0,1 kg	10 kg	€2.000,00
176910	–	MSI-3460 500 kg/1.000 kg cap F/A with Wi-Fi	500 kg 1.000 kg	0,2 kg 0,5 kg	10 kg	€2.109,00
176911	–	MSI-3460 2.500 kg/5.000 kg cap F/A with Wi-Fi	2.500 kg 5.000 kg	1 kg 2 kg	18 kg	€2.565,00
176912	–	MSI-3460 7.000 kg cap F/A with Wi-Fi	7.000 kg	2 kg	30 kg	€3.511,00

\* Bluetooth modems only work with certain Android devices. Please contact office for potential applications.

## Options/Accessories

Part #	MSI Part #	Description	Est. Weight	Price
140049	C00502-0001	Battery assembly, 6 volt rechargeable	1,4 kg	€108,00
139152	502956-0001	Universal 115/230 VAC, 50/60 Hz battery charger (NA plug standard)	2,25 kg	€147,00
139153	502956-0002	Battery charger 115/230 VAC, 50/60 Hz (EC plug standard)	2,25 kg	€147,00
149549	503486-0001	Universal 115/230 VAC 50/60 Hz (NA plug standard) battery charger for MSI-8000 remote display	1,4 kg	€117,00
178004		LaserLight 2 101 mm six-digit RF scoreboard (requires MSI-3460 with RF modem)	10 kg	€1.845,00
178006		LaserLight 2 152 mm six-digit RF scoreboard (requires MSI-3460 with RF modem)	17 kg	€2.199,00
Consult		AC power supply		Consult
Consult		Audible setpoint alarm		Consult
139395		Challenger retrofit to 3460 electronics	1 lb	Consult
173014		Rugged remote control (requires MSI-3460 with RF modem)		€255,00
139381	503208-0001	MSI-8000 RF remote display (requires MSI-3460 equipped with RF modem)	2,25 kg	€1.029,00
153591		MSI-8000HD ScaleCore RF remote display (requires MSI-3460 with RF modem)	—	€1.124,00

# MSI-4260 Port-A-Weigh



## Specifications

### Accuracy:

± (0,1% +1 d) of applied load

### Resolution:

3.000 to 5.000 d standard (up to 10.000 d available)

### Enclosure:

NEMA Type 4, IP66 marine grade 356 alloy anodized cast aluminum

### Lifting Eye, Shackle & Hook:

Crosby® or equal with 360° thrust-bearing swivel hook

### Design Overload:

200% Safe / 500% Ultimate (except where noted)

### Functions:

Power: Turns unit on or off

Zero: Zeros applied load up to 100% of capacity (limited range in NTEP Certified configuration)

Tare: Tares applied load and displays weight in Net mode F1: Programmable as test, units, net/gross, total and peak hold

### Display:

Five-digit, 30 mm LED with programmable brightness control

### Displayable Units:

Pounds or kilograms selectable

### Annunciators:

COZ, Net, Gross, Total, Peak, Low Battery, lb/kg, Motion, Setpoints

### Power:

12 volt rechargeable battery. 115/230 VAC battery charger is included

### Operating Time:

Up to 200 hours between charging with typical use, less with RF Modem option

### Operating Temperature:

-40° C to 50° C (Industrial)

### Auto-Off Mode:

Select for 15, 30, 45 minutes, 1 hour or select Off

### Auto-Sleep Mode:

Power down during non-use and power up with weight change or any key press

### Service Counters:

Counts number of lifts over percentage of capacity and lifts over capacity

### Calibration:

Digital

### Filtering:

OFF, LO, HI-1, HI-2 selectable

### Warranty:

One-year limited warranty

### Approvals:

NTEP CC 89-090 - 250 kg-1.000 kg

NTEP CC 89-090A1 - 2.000 kg-35.000 kg

NTEP CC 88-098A2 - 2,000 kg-35,000 kg

## Standard Features

- Crane unit with five-digit, 30 mm LED display
- Top lifting eye or shackle, bottom thrust-bearing swivel hook
- 12 volt rechargeable battery and universal 115/230 VAC, 50/60 Hz battery charger (NA plug standard)

## Additional Options

(Contact MSI for application consultation)

- Rugged remote control (control for Off, Zero, Tare and other functions)
- RF modem install for connectivity to MSI-8000, MSI-8000HD RF, MSI-8004HD RF remote display (30,5 m line of sight), TranSend and LaserLight2 remote display
- Anti-heat shielding for high temperature applications
- Substitute bottom swivel hook with shackle
- Oversized top lifting eye or shackle
- Oversized bottom hook
- Universal direct power supply; 85-265 VAC, 47-440 Hz / 130-300 VDC
- Low headroom top adapter
- Audible alarm
- Wi-Fi and Bluetooth® communication are available for specialty applications. (Contact MSI for application consultation)
- Custom top and bottom interfaces
- Factory Mutual and ATEX approved Intrinsically Safe models available

## Approvals



Optional rugged remote

## Part Number/Price

Part #	MSI Part #	Description	Capacity	Resolution	Est. Weight	Price
139460	503413-0001	MSI-4260B 250 kg F/A	250 kg	0,1 kg	24 kg	€3.526,00
139461	503413-0002	MSI-4260B 1.000 kg F/A	1.000 kg	0,5 kg	24 kg	€3.526,00
139462	503413-0003	MSI-4260B 2.500 kg F/A	2.500 kg	0,5 kg	28 kg	€3.621,00
139463	503413-0004	MSI-4260B 5.000 kg F/A	5.000 kg	1,0 kg	28 kg	€3.806,00
139464	503413-0005	MSI-4260B 10.000 kg F/A	10.000 kg	2,3 kg	48 kg	€5.115,00
139465	503413-0006	MSI-4260B 15.000 kg F/A	15.000 kg	4,5 kg	57 kg	€5.400,00
139466*	503413-0007	MSI-4260B 25.000 kg F/A	25.000 kg	4,5 kg	107 kg	€7.897,00
139467**	503413-0008	MSI-4260B 35.000 kg F/A	35.000 kg	9,1 kg	123 kg	€9.833,00
139468***	503413-0009	MSI-4260B 50.000 kg F/A	50.000 kg	9,1 kg	191 kg	€15.470,00

## Options/Accessories

Part #	MSI Part #	Description	Est. Weight	Price
150971	503508-0001	Option kit 4260B RF remote display (RF modem install for connectivity with MSI-8000 remote display and rugged remote)	N/A	€182,00
139381	503208-0001	MSI-8000 RF remote display (requires MSI-4260 equipped with RF modem option 2)	2,27 kg	€1.029,00
173014	N/A	RF rugged remote control (requires MSI-4260 equipped with RF modem)	N/A	€255,00
153591	N/A	MSI-8000HD Remote Display, AC power and tilt bracket option	1,4 kg	€1.124,00
159221	N/A	Universal crane scale transport cart	82 kg	€882,00
178004	N/A	LaserLight2, 4 in (101 mm) six-digit RF scoreboard (requires MSI-4260 equipped with RF modem)	10 kg	€1.845,00
178006	N/A	LaserLight2, 6 in (152 mm) six-digit RF scoreboard (requires MSI-4260 equipped with RF modem)	17 kg	€2.199,00
Consult	N/A	AC direct power supply		Consult
Consult	N/A	Audible set point alarm		Consult
Consult	N/A	Anti-heat shield		Consult
152123	N/A	Retrofit kit 4260 to 4260B	8 lb	Consult
176956	N/A	Option kit, 4260B Wi-Fi RF	0 kg	€359,00
176954	N/A	Option kit, 4260B Bluetooth® RF	0 kg	€376,00

### Accessories

150367	D00559-0004	Battery assembly, 12V rechargeable	3 kg	€100,00
138006	502221-0001	Universal 115/230 VAC, 50/60 Hz battery charger (NA plug standard)	2 kg	€255,00
138007	502221-0002	Universal 115/230 VAC, 50/60 Hz battery charger (UK plug standard)	2 kg	€255,00
138008	502221-0003	Universal 115/230 VAC, 50/60 Hz battery charger (EC plug standard)	2 kg	€255,00
149549	503486-0001	Universal 115/ 230 VAC 50/60 Hz (NA plug standard) battery charger for MSI-8000 remote display	1,4 kg	€117,00

### 4260 Sub Hook with Shackle

Consult	N/A	250 to 5.000 kg, 6,5 ton shackle		Consult
Consult	N/A	10.000 to 15.000 kg, 17 ton shackle		Consult
Consult	N/A	25.000 kg, 25 ton shackle		Consult
Consult	N/A	35.000 kg, 40 ton shackle		Consult
Consult	N/A	50.000 kg, 55 ton shackle		Consult

### 4260 Oversize Lifting Eye/Shackle

Consult	N/A	250 to 5.000 kg capacity		Consult
Consult	N/A	10.000 to 15.000 kg capacity, adapter with 25 ton shackle		Consult
Consult	N/A	25.000 to 35.000 kg capacity		Consult
Consult	N/A	50.000 kg capacity		Consult

\* 490% of kg capacity

\*\* 475% of lb capacity/430% of kg capacity

\*\*\*450% of kg capacity

# MSI-4260M Port-A-Weigh



## Standard Features

- IP66 cast aluminum
- Top lifting eye with lower link interface
- Five-digit, 44.5 mm LCD with programmable brightness control
- Battery operated, six (6) D cell 1.5V alkaline batteries
- Meets or exceeds OSHA, ANSI, ASME and other safety design standards (5:1 Ultimate Safety Factor)
- NTEP Certified configuration

## Additional Options

(Contact MSI for application consultation)

- Rugged remote control (control for On/Off, Zero, Tare and other functions)
- RF modem install for connectivity to MSI-8000, MSI-8000HD RF, MSI-8004HD RF remote display (30,5 m line of sight), TranSend and LaserLight2 remote display
- Wi-Fi and Bluetooth® communication are available for specialty applications. (Contact MSI for application consultation)

## Approvals



## Specifications

### Accuracy:

± (0.1% +1 d) of applied load

### Resolution:

Max NTEP Approved Class III: 2,500 Divisions  
Max NTEP Approved Class IIII: 5,000 Divisions  
Max Non NTEP Approved: 10,000 Divisions

### Enclosure:

IP66 cast aluminum

### Lifting Eye, Link & Hook:

Top lifting eye with lower link interface

### Design Overload:

200% Safe / 500% Ultimate

### Functions:

Power: Turns unit on or off  
Zero: Zeros applied load up to 100% of capacity (limited range in NTEP configurations)  
Tare: Tares applied load and displays weight in Net mode  
User: Programmable as test, total, unit, peak hold, net/gross, view total and print

### Display:

Five-digit, 44.5 mm LCD with programmable brightness control

### Displayable Units:

Pounds or kilograms selectable

### Annunciators:

COZ, Battery Level, Net, Total, lb/kg, Stability, RF and Setpoint LEDs

### Power:

Battery operated, six (6) D cell 1.5 V alkaline batteries

### Operating Time:

Up to 1,000 hours of battery life with typical use, less with RF Modem option

### Operating Temperature:

Legal for Trade: -10°C to 40°C  
Operating: -28°C to 50°C

### Auto-Off Mode:

Powers off after the scale is not used for the set time (in minutes); 15, 30, 45, 60 or OFF selectable

### Auto Sleep Mode:

Powers down during non-use after the set time (in minutes) and powers up with weight change or any key press; 5, 15, 30 or OFF selectable

### Service Counters:

Counts number of lifts over percentage of capacity and lifts over capacity

### Calibration:

Digital (procedure initiated by calibration switch)

### Filtering:

OFF, LO, HI-1 or HI-2 selectable

### Radio Link:

802.15.4 at 2.4 GHz

### Radio Effective Range:

Typically 100-300 ft line of sight

### Warranty:

One-year limited warranty

### Approvals:

NTEP COC 19-122

# MSI-4260M Port-A-Weigh

## Part Number/Price

Part #	MSI Part #	Description	Capacity	Resolution	Est. Weight	Price
194593		MSI-4260M	2,268kg			Consult
196908		MSI-4260M w/RF	2,268kg			Consult

## Options/Accessories

Part #	MSI Part #	Description	Est. Weight	Price
150971	503508-0001	Option kit 4260M RF modem (RF modem install for connectivity with MSI-8000 modem and rugged remote)	N/A	€182,00
139381	503208-0001	MSI-8000 RF remote display (requires MSI-4260M equipped with RF modem)	2.25 kg	€1.029,00
173014	N/A	RF rugged remote control (requires MSI-4260M equipped with RF modem)	N/A	€255,00
153591	N/A	MSI-8000HD Remote Display, AC power and tilt bracket option (requires MSI-4260M equipped with RF modem)	1.36kg	€1.124,00
159221	N/A	Universal crane scale transport cart	82 kg	€882,00
178004	N/A	LaserLight2, 4 in (101 mm) six-digit RF scoreboard (requires MSI-4260M equipped with RF modem)	10 kg	€1.845,00
178006	N/A	LaserLight2, 6 in (152 mm) six-digit RF scoreboard (requires MSI-4260M equipped with RF modem)	17 kg	€2.199,00
Consult	N/A	Option kit, 4260M Wi-Fi	0 kg	Consult
Consult	N/A	Option kit, 4260M Bluetooth®	0 kg	Consult

# MSI-4260 IS Intrinsically Safe Crane Scale Port-A-Weigh



## Standard Features

- Crane unit with five-digit, 30 mm LED display
- Top lifting eye or shackle, bottom thrust-bearing swivel hook
- 12 volt rechargeable battery and universal 115/230 VAC, 50/60 Hz battery charger (NA plug standard)

## Approvals



## Specifications

### Accuracy:

± (0,1% +1 d) of applied load

### Resolution:

3.000 to 5.000 d standard  
(up to 10.000 d available)

### Enclosure:

NEMA Type 4, IP66 marine grade 356 alloy  
anodized cast aluminum

### Intrinsic Safety:

#### US Listings

FM16US0156X

IS / I, II, III / 1 / CDEFG / T4 Ta = -20°C to 50°C

I / 0 / AEx ia / IIB / T4 Ta = -20°C to 50°C Ga

20 / AEx ia / IIIC / T135°C Ta = -20°C to 50°C Da

#### Canadian Listings

FM16CA0092X

IS / I / 1 / CD / T4 Ta = -10°C to 50°C

IS / II, III / 1 / EFG / T4 Ta = -10°C to 50°C

I / 0 / Ex ia / IIB / T4 Ta = -10°C to 50°C Ga

20 / Ex ia / IIIC / T135°C Ta = -10°C to 50°C Da

#### ATEX Listings

FM18ATEX0052X

II 1 G Ex ia IIB T4 Ga -10°C ≤ Ta ≤ 50°C

II 1 D Ex ia IIIC T135°C Da -10°C ≤ Ta ≤ 50°C

### Lifting Eye, Shackle & Hook:

Crosby® or equal with 360° thrust-bearing  
swivel hook

### Design Overload:

200% Safe / 500% Ultimate (except where noted)

### Functions:

Power: Turns unit on or off

Zero: Zeros applied load up to 100% of capacity  
(limited range in NTEP Certified configuration)

Tare: Tares applied load and displays weight in Net  
mode F1: Programmable as test, units, net/gross,  
total and peak hold

### Display:

Five-digit, 30 mm LED with programmable  
brightness control

### Displayable Units:

Pounds or kilograms selectable

### Annunciators:

COZ, Net, Gross, Total, Peak, Low Battery, lb/kg,  
Motion, Setpoints

### Power:

12 volt rechargeable battery

115/230 VAC approved battery charger is included

### Operating Time:

Up to 200 hours between charging with typical use

### Auto-Off Mode:

Select for 15, 30, 45 minutes, 1 hour or select Off

### Auto-Sleep Mode:

Power down during non-use and power up with  
weight change or any key press

### Service Counters:

Counts number of lifts over percentage of capacity  
and lifts over capacity

### Calibration:

Digital

### Filtering:

OFF, LO, HI-1, HI-2 selectable

### Warranty:

One-year limited warranty

### Approvals:

NTEP CC 19-122

# MSI-4260 IS Intrinsically Safe Crane Scale Port-A-Weigh

## Part Number/Price

Part #	Description	Capacity	Resolution	Price
156013	227 kg, Swivel Hook	500 lb (250 kg)	0.2 lb (0.1 kg)	Consult
156014	907 kg, Swivel Hook	2,000 lb (1,000 kg)	1.0 lb (0.5 kg)	Consult
156015	2.268 kg, Swivel Hook	5,000 lb (2,500 kg)	1.0 lb (0.5 kg)	Consult
156016	4.536 kg, Swivel Hook	10,000 lb (5,000 kg)	2.0 lb (1.0 kg)	Consult
156017	9.072 kg, Swivel Hook	20,000 lb (10,000 kg)	5.0 lb (2.0 kg)	Consult
156018	13.608 kg, Swivel Hook	30,000 lb (15,000 kg)	10 lb (5.0 kg)	Consult
159019	22.680 kg, Swivel Hook	50,000 lb (25,000 kg)	10 lb (5.0 kg)	Consult
156020	31.752 kg, Swivel Hook	70,000 lb (35,000 kg)	20 lb (10 kg)	Consult
156021	45.359 kg, Swivel Hook	100,000 lb (50,000 kg)	20 lb (10 kg)	Consult
156022	22.680 kg, No attachments	50,000 lb (25,000 kg)	10 lb (5.0 kg)	Consult
156023	31.752 kg, No Attachments	70,000 lb (35,000 kg)	20 lb (10 kg)	Consult
156024	45.359 kg, No Attachments	100,000 lb (50,000 kg)	20 lb (10 kg)	Consult

## Options/Assessories

Part #	Description	Price
170606	Battery Charger	Consult
167777	Spare Battery	Consult

# MSI-4300 Port-A-Weigh Plus



## Standard Features

- Crane scale unit with six-digit, 40 mm, backlight LCD display
- Top lifting eye or shackle, bottom thrust bearing swivel hook
- 12 volt rechargeable battery and universal 115/230 VAC, 50/60 Hz battery charger (NA plug standard)
- Meets or exceeds OSHA, ANSI, ASME and other safety design standards (5:1 Ultimate Safety Factor)
- NTEP Certified configuration

## Options

(Contact MSI for application consultation)

- D-cell battery option, provides up to 2,000 hours of operation
- Substitute bottom swivel hook with shackle
- Oversized top-lifting eye or shackle
- Oversized bottom hook
- Universal direct power supply; 85-265 VAC, 47-440 Hz /130-300 VDC
- Low headroom top adapter
- Audible setpoint alarm
- Custom top and bottom interfaces
- Crane scale cart



Optional crane scale cart

## Specifications

### Accuracy:

± (0,1% +1 d) of applied load

### Resolution:

3.000 to 5.000 d standard (Up to 10.000 d available)

### Enclosure:

NEMA 4, IP66, marine grade 356 alloy anodized cast aluminum

### Top Lifting Eye, Shackle and Hook:

Crosby® or equal with 360° thrust-bearing swivel hook

### Design Overload:

200% Safe / 500% ultimate (except where noted)

### Functions:

Power, zero, net/gross, tare and programmable test/user

### Display:

Six-digit, 40 mm LCD (upper) eight-digit, 20 mm LCD (lower) with adjustable display contrast

### Displayable Units:

Pounds, kilograms, tons, and metric tons selectable

### Power:

12 volt rechargeable battery. 115/230VAC battery charger included

### Operating Time:

300 hours with typical use

### Operating Temperature:

-10° C to 35° C

### Filtering:

OFF, LO, Medium and HI selectable

### Warranty:

One-year limited warranty

### Approvals:

NTEP CC 92-176 - 2,500 kg  
Measurement Canada AM-4984

## Approvals



Measurement  
Canada  
Approved

# MSI-4300 Port-A-Weigh Plus

## Part Numbers

Part #	MSI Part #	Description	Capacity	Resolution	Est. Weight	Price
138825	502666-0013	MSI-4300 250 kg F/A	250 kg	0,1 kg	24 kg	€4.096,00
138826	502666-0014	MSI-4300 1.000 kg F/A	1.000 kg	0,5 kg	24 kg	€4.096,00
138827	502666-0015	MSI-4300 2.500 kg F/A	2.500 kg	0,5 kg	28 kg	€4.200,00
138828	502666-0016	MSI-4300 5.000 kg F/A	5.000 kg	1,0 kg	28 kg	€4.416,00
138069	502235-0032	MSI-4300 10.000 kg F/A	10.000 kg	2,0 kg	47 kg	€5.513,00
138070	502235-0033	MSI-4300 15.000 kg F/A	15.000 kg	5,0 kg	55 kg	€5.794,00
138071*	502235-0034	MSI-4300 25.000 kg F/A	25.000 kg	5,0 kg	106 kg	€8.113,00
138072**	502235-0035	MSI-4300 35.000 kg F/A	35.000 kg	10 kg	121 kg	€10.019,00
138073***	502235-0036	MSI-4300 50.000 kg F/A	50.000 kg	10 kg	189 kg	€16.399,00

## Options/Accessories

Part #	MSI Part #	Description	Est. Weight	Price
159221	N/A	Universal crane scale transport cart	82 kg	€882,00
Consult	N/A	Audible set point alarm		Consult
Consult	N/A	AC power supply		Consult
Consult	N/A	D cell battery option		Consult
<b>Accessories</b>				
150367	D00559-0004	Battery assembly, 12 volt rechargeable	3 kg	€100,00
138006	502221-0001	Universal 115/230 VAC, 50/60 Hz battery charger (NA plug standard)	2 kg	€255,00
138007	502221-0002	Universal 115/230 VAC, 50/60 Hz battery charger (UK plug standard)	2 kg	€255,00
138008	502221-0003	Universal 115/230 VAC, 50/60 Hz battery charger (EC plug standard)	2 kg	€255,00
<b>4300 Sub Hook with Shackle</b>				
Consult	N/A	250 to 5.000 kg, 6,5 ton shackle		Consult
Consult	N/A	10.000 to 15.000 kg, 17 ton shackle		Consult
Consult	N/A	25.000 kg, 25 ton shackle		Consult
Consult	N/A	35.000 kg, 40 ton shackle		Consult
Consult	N/A	50.000 kg, 55 ton shackle		Consult
<b>4300 Oversize Lifting Eye/Shackle</b>				
Consult	N/A	250 to 5.000 kg capacity		Consult
Consult	N/A	10.000 to 15.000 kg capacity, adapter with 25 ton shackle		Consult
Consult	N/A	25.000 to 35.000 kg capacity		Consult
Consult	N/A	50.000 kg capacity		Consult

\* 490% of kg capacity

\*\* 475% of lb capacity/430% of kg capacity

\*\*\* 450% of kg capacity

# MSI-9300 Port-A-Weigh Plus CellScale™ RF



## Standard Features

- Crane unit with 2,4GHz FHSS transceiver
- Six-digit, 30 mm LED display and annunciators
- Top lifting eye or shackle, bottom thrust-bearing swivel hook
- 12 volt rechargeable battery and universal 115/230 VAC, 50/60 Hz battery charger (NA plug standard)
- NTEP Certified Configuration

## Additional Options

(Contact MSI for application consultation)

- RF remote crane unit control, includes On/Off, Zero, Tare, Net/Gross, Total and programmable function keys
- Audible alarm
- Anti-heat shielding for high temperature applications
- Substitute bottom swivel hook with shackle
- Low headroom top adapter
- Oversized top lifting eye or shackle
- Oversized bottom hook
- Universal direct power supply; 85-265 VAC, 47-440 Hz / 130-300 VDC
- Wireless 802.11 b/g Ethernet connectivity
- MSI-9300 retrofit kit - conversion kit to upgrade existing MSI-4300 crane scale to 9300 RF unit
- Custom top and bottom interfaces
- Potential receivers: MSI-9850, 9750A, remote RF Indicators or LaserLight 2 (each sold separately).
- Crane scale cart

## Approvals



## Specifications

### Accuracy:

± (0,1% +1 d) of applied load

### Resolution:

3.000 to 5.000 d standard (up to 10.000 d available)

### Enclosure:

NEMA Type 4, IP66, marine grade 356 alloy anodized cast aluminum

### Lifting Eye, Shackle & Hook:

Crosby® or equal with 360° thrust-bearing swivel hook.

### Design Overload:

200% Safe / 500% Ultimate (except where noted)

### Functions:

Power, zero, net/gross, tare and programmable test/user

### Display:

Six-digit, 30 mm LED with 14 feature annunciators and programmable brightness control

### Displayable Units:

Pounds or kilograms selectable

### Power:

12 volt rechargeable battery, 115-230 VAC battery charger included

### Operating Time:

Up to 30 hours between charging with typical use

### Operating Temperature:

-20° C to 60° C

### Calibration:

Digital via MSI-9750A or MSI-9850 RF indicators or via serial interface with PC terminal program.

### Filtering:

LO, Medium and HI selectable

### Radio Link:

FHSS at 2,4 GHz

### Radio Effective Range:

Typically 150 m indoor, 300 m outdoor with standard antennas.

### Warranty:

One-year limited warranty

### Approvals:

NTEP CC 07-007; 2.500 kg-35.000 kg capacities



Optional crane scale cart

# MSI-9300 Port-A-Weigh Plus CellScale™ RF

## Part Numbers

Part #	MSI Part #	Description	Capacity	Resolution	Est. Weight	Price
138704	502654-0001	MSI-9300 250 kg F/A	250 kg	0,1 kg	24 kg	€5.604,00
138705	502654-0002	MSI-9300 1.000 kg F/A	1.000 kg	0,5 kg	24 kg	€5.604,00
138706	502654-0003	MSI-9300 2.500 kg F/A	2.500 kg	0,5 kg	28 kg	€5.703,00
138707	502654-0004	MSI-9300 5.000 kg F/A	5.000 kg	1,0 kg	28 kg	€5.910,00
138409	502518-0005	MSI-9300 10.000 kg F/A	10.000 kg	2,0 kg	47 kg	€7.003,00
138410	502518-0006	MSI-9300 15.000 kg F/A	15.000 kg	5,0 kg	55 kg	€7.314,00
138419*	502518-0015	MSI-9300 25.000 kg F/A	25.000 kg	5,0 kg	106 kg	€9.604,00
138420**	502518-0016	MSI-9300 35.000 kg F/A	35.000 kg	10 kg	121 kg	€11.518,00
138421***	502518-0017	MSI-9300 50.000 kg F/A	50.000 kg	10 kg	189 kg	€17.920,00

## Options/Accessories

Part #	MSI Part #	Description	Est. Weight	Price
159625	N/A	MSI-9850 RF remote indicator (wall or desk mount)	5 kg	€2.281,00
138486	502541-0001	MSI-9750 RF portable indicator	1 kg	€1.711,00
178004	N/A	LaserLight2, 4 in (101 mm) six-digit RF scoreboard (requires MSI-9300 equipped with RF modem)	10 kg	€1.845,00
178006	N/A	LaserLight2, 6 in (152 mm) six-digit RF scoreboard (requires MSI-9300 equipped with RF modem)	17 kg	€2.199,00
138341	502488-0001	Universal mounting bracket for MSI-9850 RF remote indicator	1 kg	€121,00
159221	N/A	Universal crane scale transport cart	82 kg	€882,00
138298	502434-0001	RF remote controller	0,45 kg	€281,00
138317	502452-0001	Spare RF remote	0,45 kg	€100,00
Consult	N/A	AC power supply		Consult
Consult	N/A	Anti-heat shield		Consult
Consult	N/A	Audible alarm		Consult
Consult	N/A	Wi-Fi Ethernet option		Consult
138452	502520-0001	Retrofit kit 4300 D cell to 9300 12V	1 lb	Consult
138453	502520-0002	Retrofit kit 4300 D cell to 9300 no modem	1 lb	Consult
138454	502520-0003	Retrofit kit 4300 to 9300	1 lb	Consult
138455	502520-0004	Retrofit kit 4300 to 9300 no modem	1 lb	Consult
<b>9300 Sub Hook with Shackle</b>				
Consult	N/A	250 kg to 5.000 kg, 6,5 ton shackle		Consult
Consult	N/A	10.000 to 15.000 kg, 17 ton shackle		Consult
Consult	N/A	25.000 kg, 25 ton shackle		Consult
Consult	N/A	35.000 kg, 40 ton shackle		Consult
Consult	N/A	50.000 kg, 55 ton shackle		Consult
<b>9300 Oversize Lifting Eye/Shackle</b>				
Consult	N/A	250 kg to 5.000 kg capacity		Consult
Consult	N/A	10.000 to 15.000 kg capacity, adapter with 25 ton shackle		Consult
Consult	N/A	25.000 to 50.000 kg capacity		Consult
Consult	N/A	50.000 kg capacity		Consult
<b>Accessories</b>				
150367	D00559-0004	Battery assembly, 12 volt rechargeable	3 kg	€100,00
148624	501705-0001	RS-232/RS-485 serial cable	0,45 kg	€100,00
138006	502221-0001	Universal 115/230 VAC, 50/60 Hz battery charger (NA plug standard)	2 kg	€255,00
138007	502221-0002	Universal 115/230 VAC, 50/60 Hz battery charger (UK plug standard)	2 kg	€255,00
138008	502221-0003	Universal 115/230 VAC, 50/60 Hz battery charger (EC plug standard)	2 kg	€255,00

\* 490% of kg capacity

\*\* 475% of lb capacity/430% of kg capacity

\*\*\* 450% of kg capacity

# MSI-9300HT Hi-Torque Port-A-Weigh Plus CellScale™ RF



## Specifications

**Accuracy:**

± (0,1% +1 d) of capacity

**Resolution:**

3.000 to 5.000 d standard (up to 10.000 d available)

**Enclosure:**

NEMA Type 4, IP66, marine grade 356 alloy anodized cast aluminum

**Lifting Eye, Shackle & Hook:**

Shackle is optional and Crosby® fixed hook provided as standard.

**Design Overload:**

200% Safe / 500% Ultimate

**Functions:**

Power, zero, net/gross, tare and programmable test/user

**Display:**

Six-digit, 30 mm LED with 14 feature annunciators and programmable brightness control

**Displayable Units:**

Pounds or kilograms selectable

**Power:**

12 volt rechargeable battery, 115-230 VAC battery charger included

**Operating Time:**

Up to 30 hours between charging with typical use

**Operating Temperature:**

-20° C to 60° C

**Calibration:**

Digital via MSI-9750A or MSI-9850 RF indicators or via serial interface with PC terminal program.

**Filtering:**

LO, Medium and HI selectable

**Radio Link:**

FHSS at 2,4 GHz

**Radio Effective Range:**

Typically 150 m indoor, 300 m outdoor with standard antennas.

**Warranty:**

One-year limited warranty

## Standard Features

- Crane unit with 2.4 GHz spread spectrum transceiver
- Six-digit, 30 mm LED display and annunciators
- Top shackle (sold separately), bottom thrust bearing swivel hook
- 12 volt rechargeable battery and universal 115/230 VAC, 50/60 Hz battery charger (NA plug standard)
- Hi-torque load train designed for use with powered rotation

## Options

(Contact MSI for application consultation)

- RF remote crane unit control, includes On/Off, Zero, Tare, Net/Gross, Total and programmable function keys
- Anti-heat shielding for high-temperature applications
- Substitute bottom swivel hook with shackle
- Oversized top or shackle
- Oversized bottom hooks
- Universal direct power supply; 85-265 VAC, 47-440 Hz / 130-300 VDC
- Wireless 802.11 b/g Ethernet connectivity
- Low headroom top adaptor
- Top shackle
- Audible alarm
- Custom top and bottom interfaces
- Potential receivers: MSI-9850, 9750A, remote RF Indicators (each sold separately)

# MSI-9300HT Hi-Torque Port-A-Weigh Plus CellScale™ RF

## Part Number/Price

Part #	MSI Part #	Description	Capacity	Resolution	Est. Weight	Price
138440	502519-0001	MSI-9300HT 15.000 kg F/A	15.000 kg	5.0 kg	55 kg	€12.611,00
138441	502519-0002	MSI-9300HT 35.000 kg F/A	35.000 kg	10 kg	121 kg	€14.883,00
162377	N/A	MSI-9300HT 60.000 kg F/A	60.000 kg	20 kg	250 kg	€30.236,00

## Options/Accessories

Part #	MSI Part #	Description	Est. Weight	Price
141992	10539	Top lifting shackle Crosby® G2130 17 ton for 15.000 kg cap unit	8.9 kg	€294,00
146335	23650-0040	Top lifting shackle Crosby® G2140 40 ton for 35.000 kg cap unit	15 kg	€839,00
146336	23650-0050	Top lifting shackle Crosby® G2140 55 ton* for 60.000 kg cap unit	47 kg	€1.284,00
159625	N/A	MSI-9850 RF remote indicator (wall or desk mount)	5 kg	€2.281,00
138486	502541-0001	MSI-9750 RF portable Indicator	1 kg	€1.711,00
178004	N/A	LaserLight2, 4 in (101 mm) six-digit RF scoreboard (requires MSI-9300HT equipped with RF modem)	10 kg	€1.845,00
178006	N/A	LaserLight2, 6 in (152 mm) six-digit RF scoreboard (requires MSI-9300HT equipped with RF modem)	17 kg	€2.199,00
138341	502488-0001	Universal mounting bracket for MSI-9850 RF remote indicator	1 kg	€121,00
159221	N/A	Universal crane scale transport cart	82 kg	€882,00
138298	502434-0001	RF remote controller	0.45 kg	€281,00
138317	502452-0001	Spare RF remote	0.45 kg	€100,00
Consult	N/A	AC direct power supply		Consult
Consult	N/A	Anti-heat shield		Consult
Consult	N/A	Audible alarm		Consult
Consult	N/A	Wi-Fi Ethernet option		Consult
<b>Accessories</b>				
148624	501705-0001	RS-232/RS-485 serial cable	0,45 kg	€100,00
150367	D00559-0004	Battery assembly, 12 volt rechargeable	3 kg	€100,00
138006	502221-0001	Universal 115/230 VAC, 50/60 Hz battery charger (NA plug standard)	1,8 kg	€255,00
138007	502221-0002	Universal 115/230 VAC, 50/60 Hz battery charger (UK plug standard)	1,8 kg	€255,00
138008	502221-0003	Universal 115/230 VAC, 50/60 Hz battery charger (EC plug standard)	1,8 kg	€255,00

\* 55 Metric Tons = 121,254 lbs

# MSI-6260CS Trans-Weigh CellScale™ RF



## Standard Features

- Crane unit with 2,4GHz spread spectrum transceiver
- Top lifting eye or shackle, bottom thrust-bearing swivel hook
- 12 volt rechargeable battery and universal 115/230 VAC, 50/60 Hz battery charger (NA plug standard)
- Meets or exceeds OSHA, ANSI, ASME and other safety design standards (5:1 Ultimate Safety Factor)
- NTEP Certified configuration

## Additional Options

(Contact MSI for application consultation)

- ScaleCore configurations available
- Anti-heat shielding for high-temperature applications
- Substitute bottom swivel hook with shackle
- Oversized top lifting eye or shackle
- Oversized bottom hook
- Low headroom top adaptor
- Universal direct power supply; 85-265 VAC, 47-440 Hz / 130-300 VDC
- Wireless 802.11 b/g Ethernet connectivity
- MSI-6260CS retrofit kit - conversion kit to upgrade existing MSI-4260 crane scales to MSI-6260CS
- Custom top and bottom interfaces
- Potential receivers: MSI-9850, MSI-9750A, Scoreboard, TranSend
- Crane scale cart
- (Each sold separately.)
- Crane scale cart

## Approvals



## Specifications

### Accuracy:

± (0,1% +1 d) of applied load

### Resolution:

3.000 to 5.000 d standard (up to 10.000 d available)

### Enclosure:

NEMA Type 4, IP66, marine grade 356 alloy anodized cast aluminum

### Lifting Eye, Shackle & Hook:

Crosby® or equivalent with 360° thrust-bearing swivel hook

### Design Overload:

200% Safe / 500% Ultimate (except where noted)

### Functions:

Power on/off (all other scale functions are controlled from optional networked MSI scale indicators MSI-9850 and/or MSI-9750A)

### Displayable Units:

Pounds or kilograms selectable

### Power:

12 volt rechargeable battery, 115/230 VAC battery charger included

### Operating Time:

Up to 40 hours between charging with typical use

### Operating Temperature:

-20° C to 60° C

### Calibration:

Digital via MSI-9750A or MSI-9850 RF indicators or via serial interface with PC terminal program

### Radio Link:

FHSS at 2,4 GHz

### Radio Link Effective Range:

Typically 150 m indoor, 300 m outdoor with standard antennas

### Warranty:

One-year limited warranty

### Approvals:

NTEP CC 07-007: 2.500 kg to 35.000 kg



Optional crane scale cart

# MSI-6260CS Trans-Weigh CellScale™ RF

## Part Number/Price

Part #	MSI Part #	Description	Capacity	Resolution	Est. Weight	Price
138729	502655-0001	MSI-6260 250 kg F/A	250 kg	0,1 kg	24 kg	€4.476,00
138730	502655-0002	MSI-6260 1000 kg F/A	1000 kg	0,5 kg	24 kg	€4.476,00
138731	502655-0003	MSI-6260 2500 kg F/A	2500 kg	0,5 kg	28 kg	€4.567,00
138732	502655-0004	MSI-6260 5000 kg F/A	5000 kg	1,0 kg	28 kg	€4.765,00
138506	502559-0005	MSI-6260 10.000 kg F/A	10.000 kg	2,0 kg	47 kg	€5.807,00
138507	502559-0006	MSI-6260 15.000 kg F/A	15.000 kg	5,0 kg	55 kg	€6.092,00
138508*	502559-0007	MSI-6260 25.000 kg F/A	25.000 kg	5,0 kg	106 kg	€8.286,00
138509**	502559-0008	MSI-6260 35.000 kg F/A	35.000 kg	10 kg	121 kg	€10.096,00
138510***	502559-0009	MSI-6260 50.000 kg F/A	50.000 kg	10 kg	189 kg	€16.179,00

## Options/Accessories

Part #	MSI Part #	Description	Est. Weight	Price
159625	N/A	MSI-9850 RF remote indicator (wall or desk mount)	5 kg	€2.281,00
138486	502541-0001	MSI-9750 RF portable indicator	1 kg	€1.711,00
138341	502488-0001	Universal mounting bracket for MSI-9850 RF remote indicator	1 kg	€121,00
159221	N/A	Universal crane scale transport cart	82 kg	€882,00
178004	N/A	LaserLight2, 4 in (101 mm) six-digit RF scoreboard (requires MSI-6260CS equipped with RF modem)	10 kg	€1.845,00
178006	N/A	LaserLight2, 6 in (152 mm) six-digit RF scoreboard (requires MSI-6260CS equipped with RF modem)	17 kg	€2.199,00
Consult	N/A	AC power supply		Consult
Consult	N/A	Anti-heat shield		Consult
Consult	N/A	Audible alarm		Consult
Consult	N/A	Wi-Fi Ethernet option		Consult
138575	N/A	Retrofit kit 4260 to 6260 CS	0,45 kg	Consult
<b>6260 Sub Hook with Shackle</b>				
Consult	N/A	250 to 5.000 kg, 6.5 ton shackle		Consult
Consult	N/A	10.000 to 15.000 kg, 17 ton shackle		Consult
Consult	N/A	25.000 kg, 25 ton shackle		Consult
Consult	N/A	35.000 kg, 40 ton shackle		Consult
Consult	N/A	50.000 kg, 55 ton shackle		Consult
<b>6260 Oversize Lifting Eye/Shackle</b>				
Consult	N/A	250 to 5.000 kg capacity		Consult
Consult	N/A	10.000 to 15.000 kg capacity, adapter with 25 ton shackle		Consult
Consult	N/A	25.000 to 35.000 kg capacity		Consult
Consult	N/A	50.000 kg capacity		Consult
<b>Accessories</b>				
148624	501705-0001	RS-232/RS-485 serial cable	0,45 kg	€100,00
150367	D00559-0004	Battery assembly, 12 volt rechargeable	3 kg	€100,00
138006	502221-0001	Universal 115/230 VAC, 50/60 Hz battery charger (NA plug standard)	2 kg	€255,00
138007	502221-0002	Universal 115/230 VAC, 50/60 Hz battery charger (UK plug standard)	2 kg	€255,00
138008	502221-0003	Universal 115/230 VAC, 50/60 Hz battery charger (EC plug standard)	2 kg	€255,00

\* 490% of kg capacity

\*\* 475% of lb capacity/430% of kg capacity

\*\*\* 450% of kg capacity

# MSI-7300 Dyna-Link 2

Digital Tension Dynamometer



Optional rugged remote

## Standard Features

- Tension dynamometer with six-digit, 25,4 mm LCD display
- Two C alkaline batteries for capacities up to 5.000 kg
- Two D alkaline batteries for capacities 12.500 kg and above

## Additional Options

(Contact MSI for application consultation)

- Crosby® top and bottom shackles
- Portable transport case
- Serial output cable
- Rugged remote control (control for Off, Zero, Tare and other functions)
- RF modem install for connectivity to MSI-8000, MSI-8000HD RF, MSI-8004HD RF remote display (30,5m line of sight) and TranSend
- Heavy capacity configurations (60 to 275 Ton)
- Audible alarm
- Wi-Fi or Bluetooth® communications are available for specialty applications. (Contact MSI for application consultation)

## Part Number/Price

Part #	MSI Part #	Description	Capacity	Resolution	Est. Weight	Price
139162	502967-0001	MSI-7300 500 kg F/A	500 kg	0,2 kg	3,6 kg	€1.383,00
139163	502967-0002	MSI-7300 1.250 kg F/A	1.250 kg	0,5 kg	4,0 kg	€1.383,00
139164	502967-0003	MSI-7300 2.500 kg F/A	2.500 kg	1,0 kg	4,0 kg	€1.383,00
139165	502967-0004	MSI-7300 5.000 kg F/A	5.000 kg	2,0 kg	5,0 kg	€1.478,00
139166	502967-0005	MSI-7300 12.500 kg F/A	12.500 kg	5 kg	8,6 kg	€1.986,00
139167	502967-0006	MSI-7300 25.000 kg F/A	25.000 kg	10 kg	13 kg	€2.570,00
139168*	502967-0007	MSI-7300 50.000 kg F/A	50.000 kg	20 kg	30 kg	€3.359,00
<b>Optional Configurations (for connectivity to MSI-8000 RF Remote Display) F/A</b>						
139441	503381-0001	MSI-7300 RF module	500 kg	0,2 kg	3,6 kg	€1.554,00
139442	503381-0002	MSI-7300 RF module	1.250 kg	0,5 kg	4 kg	€1.554,00
139443	503381-0003	MSI-7300 RF module	2.500 kg	1 kg	4 kg	€1.554,00
139444	503381-0004	MSI-7300 RF module	5.000 kg	2 kg	5 kg	€1.653,00
139445	503381-0005	MSI-7300 RF module	12.500 kg	5 kg	8,6 kg	€2.147,00
139446	503381-0006	MSI-7300 RF module	25.000 kg	10 kg	13 kg	€2.736,00
139447*	503381-0007	MSI-7300 RF module	50.000 kg	20 kg	30 kg	€3.534,00
159168*	N/A	MSI-7300 RF module	60.000 kg	20 kg	26 kg	€4.546,00
159169*	N/A	MSI-7300 RF module	90.000 kg	50 kg	36 kg	€6.916,00
159170*	N/A	MSI-7300 RF module	130.000 kg	50 kg	45 kg	€9.253,00
159171*	N/A	MSI-7300 RF module	190.000 kg	100 kg	77 kg	€10.474,00
159172**	N/A	MSI-7300 RF module	275.000 kg	100 kg	152 kg	€19.760,00

## Specifications

### Accuracy:

- 0.1% FS of rated capacity (up to 50 ton)
- 0.5% FS of rated capacity (50 ton and above)

### Enclosure:

NEMA Type 4, IP65, anodized corrosion-resistant finish

### Material:

2024 aircraft grade aluminum  
Capacities above 100 K have zinc plated enclosures and 4340 load cell bodies

### Design Overload:

200% Safe / 700% Ultimate\* (except where noted)

### Functions:

On/Off, Zero, Hi-Speed Peak Hold, Setpoints, Total, Tare, Auto-Off, Motion Filter

### Display:

Six-digit, 25,4 mm LCD

### Displayable Units:

Pounds, kilograms, kilonewtons, tons, metric tons

### LED Annunciators:

Function 1, Function 2, Setpoint 1, Setpoint 2

### LCD Annunciators:

Net, Center of Zero, Stable, Battery Test, Peak Hold, Total

### Power:

Two C alkaline batteries for capacities up to 5.000 kg  
two D alkaline batteries for capacities 12.500 kg–50.000 kg

### Operating Time:

From 150 to 300 hours in typical use depending on unit capacity and battery configuration. Approximately 25 to 30 hours with optional RF modem link installed.

### Operating Temperature:

-20°C to 60°C

### Calibration:

Digital

### Filtering:

OFF, LO, HI selectable

### Data Output:

Serial RS-232

### Warranty:

Two-year limited warranty

# MSI-7300 Dyna-Link 2

Digital Tension Dynamometer

CRANE SCALES

www.ricelake.com/global | Phone: +31 (0) 26 472 1319

RICE LAKE

67

## Part Number/Price

Part #	MSI Part #	Description	Capacity	Resolution	Est. Weight	Price
176806	N/A	MSI-7300 500 kg F/A with Bluetooth® ***	500 kg	0,2 kg	3,6 kg	Consult
176807	N/A	MSI-7300 1.250 kg F/A with Bluetooth® ***	1.250 kg	0,5 kg	4,0 kg	Consult
176808	N/A	MSI-7300 2.500 kg F/A with Bluetooth® ***	2.500 kg	1 kg	4,0 kg	Consult
176809	N/A	MSI-7300 5.000 kg F/A with Bluetooth® ***	5.000 kg	2 kg	5,0 kg	Consult
176810	N/A	MSI-7300 12.500 kg F/A with Bluetooth® ***	12.500 k	5 kg	8,6 kg	Consult
176811	N/A	MSI-7300 25.000 kg F/A with Bluetooth® ***	25.000 kg	10 kg	13 kg	Consult
176812	N/A	MSI-7300 50.000 kg F/A with Bluetooth® ***	50.000 kg	20 kg	30 kg	Consult
176822*	N/A	MSI-7300 60.000 kg F/A with Bluetooth® ***	60.000 kg	20 kg	26 kg	Consult
176823	N/A	MSI-7300 90.000 kg F/A with Bluetooth® ***	90.000 kg	50 kg	36 kg	Consult
176824	N/A	MSI-7300 130.000 kg F/A with Bluetooth® ***	130.000 kg	50 kg	45 kg	Consult
176825	N/A	MSI-7300 190.000 kg F/A with Bluetooth® ***	190.000 kg	100 kg	77 kg	Consult
176826**	N/A	MSI-7300 275.000 kg F/A with Bluetooth® ***	275.000 kg	100 kg	152 kg	Consult
176813	N/A	MSI-7300 500 kg F/A with Wi-Fi	500 kg	0,2 kg	3,6 kg	€1.577,00
176814	N/A	MSI-7300 1.250 kg F/A with Wi-Fi	1.250 kg	0,5 kg	4,0 kg	€1.577,00
176815	N/A	MSI-7300 2.500 kg F/A with Wi-Fi	2.500 kg	1 kg	4,0 kg	€1.577,00
176816	N/A	MSI-7300 5.000 kg F/A with Wi-Fi	5.000 kg	2 kg	5,0 kg	€1.687,00
176817	N/A	MSI-7300 12.500 kg F/A with Wi-Fi	12.500 kg	5 kg	8,6 kg	€2.185,00
176818	N/A	MSI-7300 25.000 kg F/A with Wi-Fi	25.000 kg	10 kg	13 kg	€2.860,00
176819	N/A	MSI-7300 50.000 kg F/A with Wi-Fi	50.000 kg	20 kg	30 kg	Consult
176827	N/A	MSI-7300 60.000 kg F/A with Wi-Fi	60.000 kg	20 kg	26 kg	€4.627,00
176828	N/A	MSI-7300 90.000 kg F/A with Wi-Fi	90.000 kg	50 kg	36 kg	€7.049,00
176829	N/A	MSI-7300 130.000 kg F/A with Wi-Fi	130.000 kg	50 kg	45 kg	€9.424,00
176830	N/A	MSI-7300 190.000 kg F/A with Wi-Fi	190.000 kg	100 kg	77 kg	€10.683,00
176831	N/A	MSI-7300 275.000 kg F/A with Wi-Fi	275.000 kg	100 kg	152 kg	€19.760,00

\* 500% Ultimate overload

\*\* 440% Ultimate overload

\*\*\* Bluetooth modems only work with certain Android devices. Please contact office for potential applications.

## Options/Accessories

Part #	MSI Part #	Description	Est. Weight	Price
151357	10541	Shackle anchor, bolt type 3,25 ton for 250 kg-2.500 kg unit	1,4 kg/pair	€39,00
151355	10538	Shackle anchor, bolt type 6,5 ton for 5.000 kg unit	2,7 kg/pair	€74,00
141992	10539	Shackle anchor, bolt type 17 ton for 12.500 kg unit	17,7 kg/pair	€294,00
151356	10540	Shackle anchor, bolt type 25 ton for 25.000 kg unit	28,6 kg/pair	€450,00
146336	23650-0050	Shackle anchor, bolt type 55 ton for 50.000 kg unit	82 kg/pair	€1.284,00
151359	N/A	Shackle anchor, bolt type 85 ton for 90.000 kg unit	93 kg/pair	Consult
151360	N/A	Shackle anchor, bolt type 120 ton for 130.000 kg unit	102 kg/pair	€3.672,00
151361	N/A	Shackle anchor, bolt type 175 ton for 190.000 kg unit	590 kg/pair	€10.109,00
151358	N/A	Shackle anchor, bolt type 250 ton for 275.000 kg unit	318 kg/pair	€14.040,00
139381	503208-0001	MSI-8000 RF remote display (requires MSI-7300 equipped with optional RF modem)	2,25 kg	€1.029,00
153591	N/A	MSI-8000HD RF remote display, A/C powered with tilt stand (requires MSI-7300 equipped with optional RF modem)	2,25 kg	€1.124,00
165313	N/A	Heavy duty pelican transport case with precision cut Heavy duty foam for 250 kg-5.000 kg capacity units	4,5 kg	€281,00
145076	14317	Transport crate for 12.500 kg and 25.000 kg capacity unit	15,9 kg	€342,00
145073	14311	Transport crate for 50.000 kg capacity unit	19,1 kg	€342,00
139470	503414-0002	RS-232 serial cable for MSI-7300	0,45 kg	€117,00
178004	N/A	LaserLight2, 4 in (101 mm) six-digit RF scoreboard (requires MSI-7300 equipped with optional RF modem)	10 kg	€1.845,00
178006	N/A	LaserLight2, 6 in (152 mm) six-digit RF scoreboard (requires MSI-7300 equipped with optional RF modem)	17 kg	€2.199,00
149549	503486-0001	Universal 115/ 230 VAC 50/60 Hz (NA plug standard) battery charger for MSI-8000 remote display	1,4 kg	€117,00
182223		12V car charger adapter for MSI-8000	1 lb	€100,00
173014		Rugged remote control (requires MSI-7300 equipped with optional RF modem)	N/A	€255,00
150964	503489-0001	RS-232 4 m serial cable for MSI-8000	0.45 kg	€147,00
139438	N/A	Audible set point	N/A	€329,00
149550	503486-0002	Battery charger for MSI-8000 EC plug	N/A	€113,00



Optional rugged remote

# NEW MSI Dyna-Clamp Tension Meter



## Standard Features

- Dual line LCD display
- Two user-programmable function keys
- IP65 powder-coated aluminum frame
- RS-232 port

## Additional Options

(Contact MSI for application consultation)

- Heavy-duty carrying case

## Part Number/Price

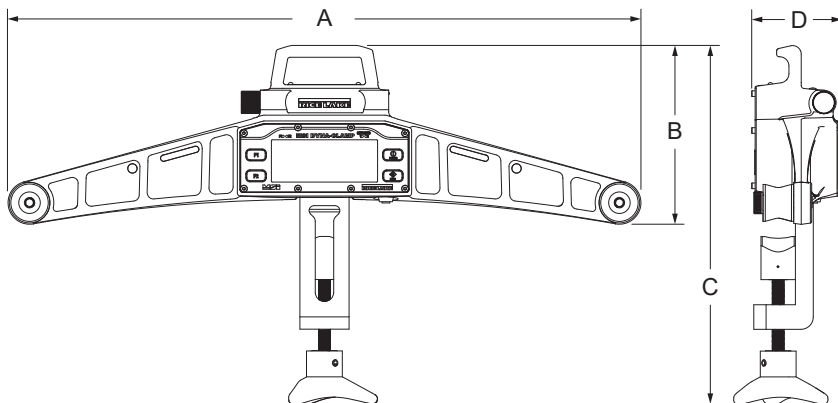
Part #	Description	Tension	Price
189581	MSI Dyna-Clamp Tension Meter	5,670 kgf / 55.60 kN	Consult

## Options/Accessories

Part #	Description	Price
198418	Heavy-duty carrying case	Consult

## Dimensions

A	652.80 mm	C	349.25 mm-393.70 mm
B	185.50 mm	D	94 mm



## Specifications

### Power:

Battery operated two AA Cell 1.5 V alkaline batteries (can be replaced with rechargeable NiMH cells)

### Max Tension:

5,670 kgf / 55.60 kN

### Operating Time:

Alkaline AA Cells 24 hours

### Wire Rope:

Diameter 5 mm – 25 mm

### Accuracy:

Rated Accuracy  $\pm 3\%$  of capacity

### Units:

lbf, kgf, kN

### Resolution:

Standard: 2500 divisions

### Two-Line LCD Display:

Primary display (bottom) six, 18 mm numeric digits  
Secondary display (top) eight, 13 mm numeric digits

### Function Keys:

Two programmable keys (user-defined) – F1, F2 (TEST, UNIT, PRINT, SCROLL, ACTFUN)  
Two permanent keys – POWER, ZERO

### Setpoints:

Two dedicated setpoints for minimum and maximum allowable wire rope tension (LEDs for measurements outside of allowable range)

### Auto-Off Mode:

Prolongs battery life by turning power OFF after 15, 30, 45 or 60 minutes of no scale activity (user determined)

### Enclosure:

IP65 powder-coated aluminum frame

### Calibration:

Up to eight (8) factory programmed wire rope calibrations

### Operating Temp:

-40°C to 50°C

### Operator Use:

Outdoor

### Storage:

Indoor

### Warranty:

Two-year limited





MSI-7000HD



TranSend

## Specifications

**Power:**

5-6 VDC, 7-36 VDC 85-265 VAC

**Excitation Voltage:**

Transmitter: +4,8 VDC, 16x 350Ω or 32x 700Ω load cells

**Standard Antenna:**

1/2 wave 2 dBi, articulated

**Frequency:**

Direct sequence spread spectrum at 2,4GHz, 802.15.4

**Effective Range:**

30,5 m or more

**Digital I/O:**

Three coil relays available on select models and 7000HD units

**Circuit Protection:**

RFI, EMI, ESD protection

**Serial Port:**

Full duplex RS-232

**Operating Temperature:**

-40° C to 85° C

**Enclosure:**

NEMA Type 4 (IP66), aluminum black powder coated (excludes wall cube model)

7000HD and 7001HD: IP68

**Additional RF Options:**

Wi-Fi

Bluetooth®

Cellular (consult)

802.15.4 FHSS

**Warranty:**

One-year limited warranty

## Standard Features

- Works with any basic digital weight indicator
- Excitation to load cell(s) provided by the transmitter, not the indicator
- Each transmitter/receiver set is individually paired
- Auto-off mode - selectable for 15, 30, 45, 60 minutes or off
- Auto-sleep mode - power down during non-use, power up with weight change or key press
- Serial communication cable included with all transmitters

## Additional HD Features

- IP68 milled aluminum enclosure
- Second radio modem available

## Part Number/Price

Part #	Description	Est. Weight	Price
<b>Transmitters</b>			
<b>5-6 VDC Power Input</b>			
160330	Single-channel transmitter, no relays, RF 802.15.4, 2.4 GHz	0,9 kg	€798,00
159207	Four-channel transmitter, no relays, RF 802.15.4, 2.4 GHz	0,9 kg	Consult
161949	Four-channel transmitter, includes three coil relays, RF 802.15.4, 2.4 GHz	0,9 kg	€877,00
176644 *	Single-channel transmitter, no relays, Bluetooth	0,9 kg	Consult
176638 *	Four-channel transmitter, no relays, Bluetooth	0,9 kg	Consult
176641 *	Four-channel transmitter, includes three coil relays, Bluetooth	0,9 kg	Consult
176655	Single-channel transmitter, no relays, Wi-Fi	0,9 kg	€841,00
176648	Four-channel transmitter, no relays, Wi-Fi	0,9 kg	€889,00
176652	Four-channel transmitter, includes three coil relays, Wi-Fi	0,9 kg	€1.012,00
<b>7-36 VDC Power Input</b>			
160329	Single-channel transmitter, no relays, RF 802.15.4, 2.4 GHz	0,9 kg	Consult
159470	Four-channel transmitter, no relays, RF 802.15.4, 2.4 GHz	0,9 kg	€791,00
161951	Four-channel transmitter, includes three coil relays, RF 802.15.4, 2.4 GHz	0,9 kg	€916,00
176645 *	Single-channel transmitter, no relays, Bluetooth	0,9 kg	Consult
176639 *	Four-channel transmitter, no relays, Bluetooth	0,9 kg	Consult
176642 *	Four-channel transmitter, includes three coil relays, Bluetooth	0,9 kg	Consult
176656	Single-channel transmitter, no relays, Wi-Fi	0,9 kg	€889,00
176650	Four-channel transmitter, no relays, Wi-Fi	0,9 kg	€912,00
176653	Four-channel transmitter, includes three coil relays, Wi-Fi	0,9 kg	€1.064,00
<b>85-265 VAC Power Input</b>			
160328	Single-channel transmitter, no relays, RF 802.15.4, 2.4 GHz	0,9 kg	€870,00
159469	Four-channel transmitter, no relays, RF 802.15.4, 2.4 GHz	0,9 kg	€813,00
161950	Four-channel transmitter, includes three coil relays, RF 802.15.4, 2.4 GHz	0,9 kg	€1.041,00
176643 *	Single-channel transmitter, no relays, Bluetooth	1 kg	Consult
176637 *	Four-channel transmitter, no relays, Bluetooth	1 kg	Consult
176640 *	Four-channel transmitter, includes three coil relays, Bluetooth	1 kg	Consult
176654	Single-channel transmitter, no relays, Wi-Fi	0,9 kg	€912,00
176647	Four-channel transmitter, no relays, Wi-Fi	0,9 kg	€941,00
176651	Four-channel transmitter, includes three coil relays, Wi-Fi	0,9 kg	€1.093,00

Part #	Description	Est. Weight	Price
<b>Receivers</b>			
<b>5-6 VDC Power Input</b>			
160337	Receiver to provide a mV signal to a digital weight indicator, RF 802.15.4, 2.4 GHz	0,9kg	€846,00
160334	Receiver to provide an analog output signal: 4-20 mA, 0-20 mA, 0-5 VDC, 0-10 VDC, ±5 VDC, ±10VDC, RF 802.15.4, 2.4 GHz	0,9kg	€893,00
160016	Receiver to provide an analog output signal: 4-20 mA, 0-20 mA, 0-5 VDC, 0-10 VDC, ±5 VDC, ±10VDC, includes three coil relays, RF 802.15.4, 2.4 GHz	0,9kg	€921,00
<b>7-36 VDC Power Input</b>			
160336	Receiver to provide a mV signal to a digital weight indicator. RF 802.15.4, 2.4 GHz	0,9kg	€917,00
160333	Receiver to provide an analog output signal: 4-20 mA, 0-20 mA, 0-5 VDC, 0-10 VDC, ±5 VDC, ±10 VDC, RF 802.15.4, 2.4 GHz	0,9kg	€1.012,00
159476	Receiver to provide an analog output signal: 4-20 mA, 0-20 mA, 0-5 VDC, 0-10 VDC, ±5 VDC, ±10 VDC, includes three coil relays, RF 802.15.4, 2.4 GHz	0,9kg	€1.136,00
<b>85-265 VAC Power Input</b>			
160335	Receiver to provide a mV signal to a digital weight indicator, RF 802.15.4, 2.4 GHz	0,9kg	€960,00
160332	Receiver to provide an analog output signal: 4-20 mA, 0-20 mA, 0-5 VDC, 0-10 VDC, ±5 VDC, ±10 VDC, RF 802.15.4, 2.4 GHz	0,9kg	€1.064,00
159475	Receiver to provide an analog output signal: 4-20 mA, 0-20 mA, 0-5 VDC, 0-10 VDC, ±5 VDC, ±10 VDC, includes three coil relays, RF 802.15.4, 2.4 GHz	0,9kg	€1.231,00
<b>7000HD</b>			
177942	MSI-7000HD 4CH 85-265 VAC, Three Coil Relays, 802.15.4		€1.824,00
177944	MSI-7000HD 4CH 7-36 VDC, Three Coil Relays, 802.15.4		€1.791,00
177945	MSI-7000HD 4CH 9-36 VDC Iso, Three Coil Relays, 802.15.4		Consult
177950 *	MSI-7000HD 4CH 85-265 VAC, Three Coil Relays, Bluetooth®		Consult
177952 *	MSI-7000HD 4CH 7-36 VDC, Three Coil Relays, Bluetooth		Consult
177953 *	MSI-7000HD 4CH 9-36 VDC Iso, Three Coil Relays, Bluetooth		Consult
177995	MSI-7000HD 4CH 85-265 VAC, Three Coil Relays, WiFi		€1.839,00
177997	MSI-7000HD 4CH 7-36 VDC, Three Coil Relays, WiFi		€1.801,00
177998	MSI-7000HD 4CH 9-36 VDC Iso, Three Coil Relays, WiFi		€1.881,00
<b>7001HD</b>			
178021	MSI-7001HD 2CH 85-265 VAC, 802.15.4		€1.093,00
178010	MSI-7001HD 2CH 5-6 VDC, 802.15.4		€988,00
178011	MSI-7001HD 2CH 7-36 VDC, 802.15.4		€1.060,00
178012	MSI-7001HD 2CH 9-36 VDC Isolated, 802.15.4		€1.069,00
178013 *	MSI-7001HD 2CH 85-265 VAC, Bluetooth		Consult
178014 *	MSI-7001HD 2CH 5-6 VDC, Bluetooth		Consult
178015 *	MSI-7001HD 2CH 7-36 VDC, Bluetooth		Consult
178016 *	MSI-7001HD 2CH 9-36 VDC Isolated, Bluetooth		Consult
178017	MSI-7001HD 2CH 85-265 VAC, WiFi		€1.117,00
178018	MSI-7001HD 2CH 5-6 VDC, WiFi		€1.069,00
178019	MSI-7001HD 2CH 7-36 VDC, WiFi		€1.079,00
178020	MSI-7001HD 2CH 9-36 VDC Isolated, WiFi		€1.140,00

\* Bluetooth modems only work with certain Android devices. Please contact office for potential applications.

### Options/Accessories

Part #	Description	Price
162172	Charger, TranSend™ for 6V SLA battery	€52,00
162173	Battery, TranSend 6V SLA	€91,00
162175	Enclosure, TranSend for 6V SLA battery	€260,00
150964	RS-232 4 m serial cable with nine-pin (female) connector	€147,00
150965	RS-232 4 m serial cable with nine-pin (male) connector	€147,00
160109	AC adaptor, TranSend 6V	€44,00
162178	Antenna extension kit for enclosures	€359,00
139309	Antenna kit, long range Omni with 3 m coax cable	€376,00
139310	Antenna kit, corner reflector 9 dbi with 3 m coax cable	€372,00
139311	Antenna kit, corner reflector 12 dbi with 3 m coax cable	€398,00
139312	Antenna kit, Yagi 15 dbi with 3 m coax	€307,00
144345	30 m coaxial cable, for use with non-vehicle mount antenna kits	€350,00
139313	Antenna kit, vehicle mount. 5 dbi with 5 m coaxial cable	€113,00
162177	Cordset, TranSend, pre-wired for use with single channel transmitters or non-relay based receivers	€96,00
162184	Load cell connector, TranSend, Field wireable, 4-6 mm straight. For use with single channel transmitters and all receivers	€48,00
162185	Load cell connector, TranSend, Field wireable, 6-8 mm straight. For use with single channel transmitters and all receivers	€48,00
162186	Load cell connector, TranSend, Field wireable, 4-6 mm right angle. For use with single channel transmitters and all receivers	€48,00

**Options/Accessories**

Part #	Description	Price
162187	Load cell connector, TranSend, Field wireable, 6-8 mm right angle. For use with single channel transmitters and all receivers	€48,00
143531	Power cord, 6 V SLA battery charger EU	€22,00
143533	Power cord, 6 V SLA battery charger, Australia	€38,00
143534	Power cord, 6 V SLA Battery charger, UK	€38,00
160110	265 VAC to 6 VDC wall adapter US/UK/EU/AUS/China	€44,00
145085	RS-232 serial cable, nine-pin unterminated	€96,00
164865	Cable, 4 m, one-channel, mV/V output, LC input	€117,00
165648	Cable, 5 m, one-channel, mV/V output, LC input	€117,00
165651	Cable, 10 m, one-channel, mV/V output, LC input	€169,00
145084	Cable, 2 m, one-channel, analog output	€48,00
144400	Cable, 5 m, one-channel, analog output	€74,00
168903	Cable, 10 m, one-channel, analog output	€108,00
Consult	Straight connector, analog output, field wire able, 4-6 mM OD	Consult
Consult	Straight connector, analog output, field wire able, 6-8 mM OD	Consult
Consult	Right angle connector, analog output, field wire able, 4-6 mM OD	Consult
Consult	Right angle connector, analog output, field wire able, 6-8 mM OD	Consult
184002	7000HD Half-plate mounted, FHSS, DC (battery) powered	€2.086,00
182244	GoDex portable printer	€946,00

## Specifications

### Enclosure:

NEMA Type 4, IP65

### Weight:

445 grams

### Keypad:

On/Off, Zero (100%), Tare, Print, and two user-defined keys for the following functions: Peak hold, high resolution, total, view total, net/gross, units switching

### Display:

Six-digit 26,4 mm LCD

### Units Displayed:

Pounds, kilograms, tons, metric tons, kilonewtons

### Annunciators:

Stable, COZ, low battery, peak, net, kg, kN, lb, M, ton, setpoint, function LEDs

### Power:

Integral lithium ion battery  
 Universal 115/230 VAC, 50/60 Hz battery charger (NA plug included)

### Operating Time:

Up to 24 hours of continuous use (15 minute auto-shutoff with non-use)

### Operating Temperature:

-20° C to 60° C

### RF Radio Link:

2,4 GHz 802.15.4  
 Communicates with RF 3460, 4260, 7300, 7000 & 7001

### RF Effective Range:

Typically 33 m

### Connector:

Four-pin Turck connector for charging and RS-232 communication

### Warranty:

One-year limited warranty



## Standard Features

- Handheld RF remote display with six-digit 26,4 mm LCD screen
- Membrane keypad for remote control functionality
- User-definable function keys for added versatility
- Universal 115/230 VAC, 50/60 Hz battery charger (NA plug included)
- Communicates with RF MSI-3460 Challenger 3, MSI-4260 Port-A-Weigh, MSI-7300 Dyna-Link 2, MSI-7000 and MSI-7001 TranSend™

## Part Number/Price

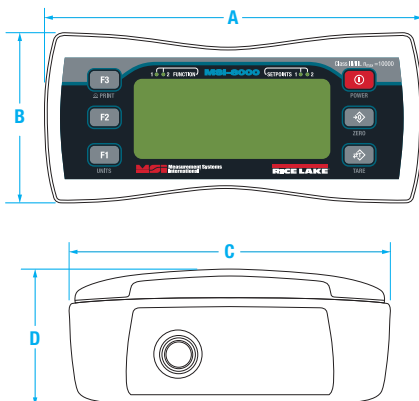
Part #	MSI Part #	Description	Est. Weight	Price
139381	503208-0001	MSI-8000 RF remote display (requires ScaleCore™ equipped MSI-7300, MSI-4260, MSI-3460 and TranSend receivers)	2,27 kg	€1.029,00

## Options/Accessories

Part #	MSI Part #	Description	Est. Weight	Price
149549	503486-0001	Universal 115/230 VAC 50/60 Hz (NA plug standard) battery charger for MSI-8000 RF remote display	1,36 kg	€117,00
149550	503486-0002	Universal 115/230 VAC 50/60 Hz (EC plug standard) battery charger for MSI 8000 RF remote display	0,45 kg	€113,00
150964	503489-0001	DB9 female serial interface cable for MSI-8000 RF remote display	0,45 kg	€147,00
151095	503506-0001	Audible alarm	0 kg	Consult
182223		12V car charger adapter for MSI-8000	0,45 kg	€100,00

## Dimensions

	A	B	C	D
A	203 mm		C	98 mm
B	98 mm		D	35 mm



# MSI-8004HD

Indicator/RF LED Remote Display



## Standard Features

- IP65 rugged milled aluminum enclosure
- Backlit membrane keypad for user functioning and controls
- Tilt bracket included
- NTEP certified configuration

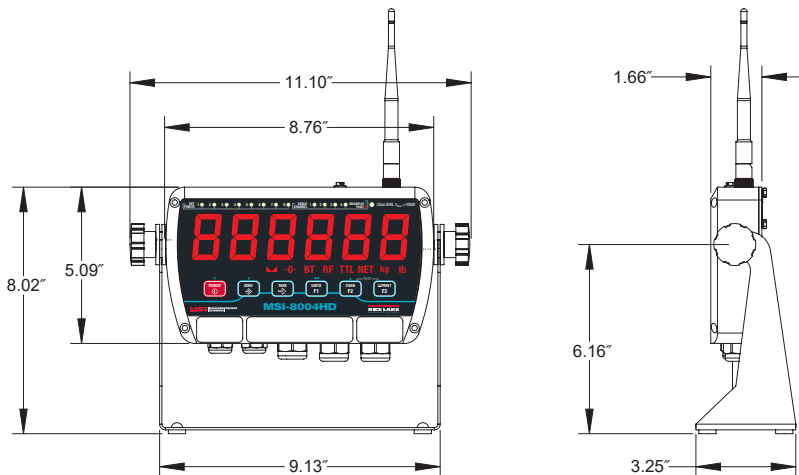
## Options

- Expanded relay outputs
- Battery pack for mobile operation
- Second radio module for additional network connectivity

## Approvals



Measurement  
Canada  
Approved



## Specifications

### Display

Six-digit, 38 mm LED display with red/green coloring

### Enclosure:

NEMA Type 4, IP65 milled anodized aluminum

### Keypad:

On/Off, Zero, Tare, Print and two user-defined keys

### Functions:

Peak hold, high resolution, total, view total, net/gross, units switching

### Units:

Pounds, kilograms, tons, metric tons, kilonewtons

### Annunciators:

Stable, COZ, kg, lb, setpoint, channel LEDs,

### Channels:

1, 2, 3, 4, TTL

### Power:

90-267 VAC, 9-36 VDC, 18-72 VDC, 120-300 VDC, 8-32V, external battery options

### Temperature:

-20° C to 60° C

### RF Remote Channels:

Up to four remote sensors monitored individually, in pairs or sum all (non-A/D version only) (when used with TranSend)

### Service Counters:

A/D version only

### A/D Inputs:

Four independent or summing load cell inputs

### Relays:

Two 5V coil, 250VAC, 5A relays

### Excitation:

4.8 V current limited and over-voltage protected

### Filtering:

Off, Low, Hi-1, Hi-2

### RF Radio Link:

2.4 GHz 802.15.4, optional second channel for Serial RF, 802.11 Wi-Fi, cellular connectivity or Bluetooth®

### RF Effective Range:

Typically 91,44 m line of sight

### Data I/O:

Two RS-232 hard wired communication ports

### Approvals:

NTEP COC #17-036 (-5° C to 40° C)  
Measurement Canada

### Warranty:

One-year limited warranty

**Part Number/Price**

Indicator		
Part #	Description	Price
178265	MSI-8004HD Indicator, 4CH AC, Red/Green 85~264 VAC, 47~440 Hz, 120~370VDC	€1.582,00
178269	MSI-8004HD Indicator, 4CH DC 8-32V, Red/Green Best for external 12V SLA Batteries	€1.612,00
178271	MSI-8004HD Indicator, 4CH DC 9-36V Iso, Red/Green Do not use on 12V Vehicle Systems	€1.681,00
178274	MSI-8004HD Indicator, 4CH DC 18-75V Iso, Red/Green	Consult
178278	MSI-8004HD Indicator, 4CH DC 5V Red/Green for use with external 15W, 5V power supplies	Consult
183481	MSI-8004HD Indicator, 4CH 5V Red/Green with external rechargeable battery	€1.590,00
196904	MSI-8004HD Indicator, 4CH AC, Red/Green Instant Power-On, 85-264VAC	Consult
Remote Display		
178281	MSI-8004HD Display, AC, Red/Green 85~264 VAC, 47~440 Hz, 120~370 VDC	€1.543,00
178283	MSI-8004HD Display, DC 8-32V, Red/Green Best for external 12 V SLA Batter	€1.508,00
178285	MSI-8004HD Display, DC 9-36V Iso, Red/Green Do not use on 12 V Vehicle Systems	€1.573,00
183479	MSI-8004HD Display, 4CH 5V Red/Green with external rechargeable battery	€1.366,00

**Options**

Part #	Description	Price
148624	Serial Cable, RS-232 9000 Serial Cable, DCE	€100,00
139309	Antenna Kit, Long Range Omni-directional, 9 dBi with 3 m Coax Intended for omni-directional mast mounting (up to 51 mm Ø). Beam-width. Must be mounted vertically.	€376,00
139310	Antenna Kit, Corner Reflector, 9 dBi with 3 m coax intended for directional wall or mast mounting (up to 51 mm Ø). Beam-width: 75° Elevation, 65° Azimuth	€372,00
139311	Antenna Kit, Corner Reflector, 12 dBi with 3 m coax intended for directional wall or mast mounting (up to 51 mm Ø). Beam-width: 50° Elevation, 36° Azimuth	€398,00
139312	Antenna Kit, YAGI, 15 dBi with 3 m coax highly directional wall or mast mounting (up to 51 mm Ø). Beam-width: 30° Elevation, 34° Azimuth	€307,00
139313	Antenna Kit, Vehicle Mount, 5 dBi with 5 m coax omni-directional. Mounts in 19,1 mm Hole.	€113,00
162178	Antenna extension kit	€359,00
197013	Antenna extension kit, 20 ft	Consult
155173	Option kit, tilt stand	€65,00
171203	Audible alarm Not compatible with battery versions 22436	€273,00
22436	Cable, Comm DB9F 9 Pin Fem One end stripped and tinned on other end 6 Pin 2 (Brown) Pin 3 (Red) Pin 5 (Yellow) For use with MSI-8004HD serial ports to connect to: Scoreboard displays, printers, computers & other equipment that supports RS-232	€64,00
183437	Battery, 5V Li-ion battery with USB power ports. Output 5V/3,0A per port (6,0 A max)Rate, 2A per port (4A if both ports are used)	€173,00
184132 *	8004 option kit, Bluetooth® with SMA antenna	€129,00
184131	8004 option kit, WiFi with SMA antenna	€147,00
187424	8004 option kit, 2nd Xbee with TNC antenna	Consult
182224	Power Adapter, 12VDC 5VDC Dual USB Car Charger plus 0,9m USB Cable	€44,00
Relays		
172500	Expanded Relays Option Kit, four-channel, 3A, 60VPK SSR form C	€886,00
172501	Expanded Relays Option Kit, eight-channel, 3A 60VPK, SSR form C	€1.180,00
Consult	Expanded Relays Option Kit, four-channel, 0.9A 200VPK, AC/DC SSR Form C	\$750,00
172502	Expanded Relays Option Kit, eight-channel, 0.9A 200VPK, SSR form C	€1.033,00
172492	Expanded Relays Option Kit, four-channel, 12A 5V, momentary	€627,00
172495	Expanded Relays Option Kit, eight-channel, 12A 5V, momentary	€648,00
172490	Expanded Relays Option Kit, four-channel, 12A 5V, latching relays	€644,00
171676	Expanded Relays Option Kit, eight-channel, 12A 5V, latching relays	€696,00

\* ScaleConnect app only works with certain Android devices. Please contact MSI for potential applications.

# MSI-8000HD

Indicator/Remote Display



Shown with tilt stand.

## Standard Features

- Indicator or RF remote display with six-digit 26,4 mm LCD screen
- IP68 milled aluminum enclosure
- Membrane keypad for remote-control functionality
- User-definable function keys for added versatility
- Compatible with all ScaleCore™-based products including: MSI-7300 Dyna-Link 2, MSI-3460 Challenger 3, MSI-4260 Port-A-Weigh, MSI-7000 and MSI-7001 TranSend™
- Swivel tilt stand
- NTEP certified configuration

## Optional Features

- Up to 8 configurable relay outputs
- Wi-Fi communications
- Bluetooth® communications
- 802.15.4 Serial RF
- FHSS
- Wired Ethernet

### Dimensions

A	12.82 in (326 mm)	B	11.05 in (281 mm)
---	-------------------	---	-------------------



## Approvals



## Specifications

### Enclosure:

NEMA Type 4, IP68 milled anodized aluminum with O-ring gaskets

### Keypad:

On/Off, Zero (100%), Tare, Print, and two user-defined keys for the following functions: peak hold, high resolution, total, view total, net/gross, units switching

### Display:

Six-digit 26,4 mm LCD

### Units Displayed:

Pounds, kilograms, tons, metric tons, kilonewtons

### Annunciators:

Stable, COZ, peak, kg, kN, lb, M, ton, setpoint, function LEDs. Channels: 1, 2, 3, 4, TTL

### Power:

90-267 VAC, 9-36 VDC, 18-72 VDC, 120-300 VDC  
Optional battery power module available

### Operating Temperature:

-20° C to 60° C

### RF Remote Channels:

Up to four remote sensors, monitored individually, in pairs, or sum all (non-A/D version only)

### Service Counters

A/D version only

### A/D Inputs:

Two independent or summing load cell inputs

### Excitation:

4.8 V current limited and over-voltage protected

### Filtering:

Off, Low, Hi-1, Hi-2

### RF Radio Link:

2.4 GHz 802.15.4

Compatible with all ScaleCore™-based products including: MSI-7300 Dyna-Link 2, MSI-3460 Challenger 3, MSI-4260 Port-A-Weigh, MSI-7000 and MSI-7001

### RF Effective Range:

Typically 33 m or more

### Data I/O:

Dual RS-232 comm ports

### Wired Ethernet:

Up to 8 configurable relay outputs

### Optional Communications:

Wi-Fi  
Bluetooth®  
Serial RF (Single Sequence or FHSS)

### Warranty:

One-year limited warranty

### Approvals:

NTEP COC#15-110 (-10°C to 40°C)

**Part Number/Price**

Part #	Description	Est. Weight	Price
153591	MSI 8000HD ScaleCore RF/Remote Display/85-265 VAC	2.5 kg	€1.124,00
154853	MSI 8000HD ScaleCore RF/Remote Display/Internal Battery	2.5 kg	€1.214,00
160476	MSI 8000HD ScaleCore RF/Remote Display/7-36 VDC	2.5 kg	€1.085,00
159377	MSI 8000HD ScaleCore RF/Remote Display/18-72 VDC	2.5 kg	€1.111,00
159376	MSI 8000HD ScaleCore RF/Remote Display/9-36 VDC	2.5 kg	€1.111,00
158427	MSI 8000HD Meter/2 A/D Inputs/85-265 VAC (non RF)	2.5 kg	€1.366,00
158428	MSI 8000HD Meter/2 A/D Inputs/Internal Battery (non RF)	2.5 kg	€1.456,00
160478	MSI 8000HD Meter/2 A/D Inputs/7-36 VDC (non RF)	2.5 kg	€1.214,00
159381	MSI 8000HD Meter/2 A/D Inputs/18-72 VDC (non RF)	2.5 kg	€1.245,00
159380	MSI 8000HD Meter/2 A/D Inputs/9-36 VDC (non RF)	2.5 kg	€1.245,00
158425	MSI-8000HD RF Meter/2 A/D Inputs/85-265 VAC	2.5 kg	€1.379,00
158426	MSI-8000HD RF Meter/2 A/D Inputs/Internal Battery	2.5 kg	€1.500,00
160477	MSI 8000HD RF Meter/2 A/D Inputs/7-36 VDC	2.5 kg	€1.379,00
159379	MSI 8000HD RF Meter/2 A/D Inputs/18-72 VDC	2.5 kg	€1.387,00
159378	MSI 8000HD RF Meter/2 A/D Inputs/9-36VDC	2.5 kg	€1.387,00
176957 *	MSI 8000HD BT Meter/85-265 VAC	2.5 kg	Consult
176958	MSI 8000HD Wi-Fi Meter/85/265 VAC	2.5 kg	€1.150,00
176959 *	MSI 8000HD BT Meter/Internal Battery	2.5 kg	Consult
176960	MSI 8000HD Wi-Fi Meter/Internal Battery	2.5 kg	€1.245,00
176962 *	MSI 8000HD BT Meter/7-36 VDC	2.5 kg	Consult
176964	MSI 8000HD Wi-Fi Meter/7-36 VDC	2.5 kg	€1.106,00
176965 *	MSI 8000HD BT Meter/9-36 VDC	2.5 kg	Consult
176966	MSI 8000HD Wi-Fi Meter/9-36 VDC	2.5 kg	€1.137,00
176967 *	MSI 8000HD BT Meter/18-72 VDC	2.5 kg	Consult
176968	MSI 8000HD Wi-Fi Meter/18-72 VDC	2.5 kg	€1.137,00

\* Bluetooth modems only work with certain Android devices. Please contact office for potential applications.

**Options/Accessories**

Part #	Description	Price
155173	MSI-8000HD spare tilt stand option kit	€65,00
155193	MSI-8000HD Ethernet TCP/IP option kit wired	€352,00
162178	Antenna extension kit	€359,00
148624	MSI-8000HD serial RS-232 cable	€100,00
158779	MSI-8000HD two each coil relay option kit, 250 VAC/30 VDC 5A or 100 VDC 0,4A	€273,00
158780	MSI-8000HD two each solid state relay option kit, 60 Vpk 2,7A	€273,00
158781	MSI-8000HD two each solid state relay option kit, 200 Vpk 0,9A	€273,00
149549	Universal 115/230 VAC 50/60 Hz (NA plug standard) battery charger for MSI-8000HD battery powered device	€117,00
149550	Universal 115/230 VAC 50/60 Hz (international plugs) battery charger for MSI-8000HD battery powered device	€113,00
171203	Audible alarm kit	€273,00
176963	Serial print cable	Consult
<b>Relays</b>		
172490	Expanded Relay Kit, Four-Channel, 12A 5V, Latching Relays	€644,00
172492	Expanded Relay Kit, Four-Channel, 12A 5V, Momentary Relays	€627,00
Consult	Expanded Relay Kit, Four-Channel, 0,9A 200Vpk, AC/DC Solid State Relays	€680,00
172495	Expanded Relay Kit, Eight-Channel, 12A 5V, Momentary Relays	€648,00
172500	Expanded Relays Option Kit, Four-Channel, 3A, 60Vpk Solid State Form C Relays	€886,00
172501	Expanded Relays Option Kit, Eight-Channel, 3A 60Vpk, Solid State Form C Relays	€1.180,00
172502	Expanded Relays Option Kit, Eight-Channel, 0,9A 200Vpk, Solid State Form C Relays	€1.033,00
171676	Expanded Relays Option Kit, Eight-Channel, 12A 5V, Latching Relays	€696,00

# MSI-9020 CellScale™ RF CellModem



## Standard Features

- Modem-only component; provides serial interface with computers, printers and scoreboards to a CellScale network
- 2,4GHz spread spectrum frequency hopping
- Power cable, 4 m for 9-30 VDC input
- One communication port; RS-232 or RS-422, 4 m interface cable
- NEMA Type 4, IP65 enclosure (NEMA Type 6, IP67 with long range antenna)

## Approvals



## Part Number/Price

Part #	MSI Part #	Description	Est. Weight	Price
138477	502536-0001	MSI-9020 RF CellModem	3,5 kg	€2.096,00
138478		MSI-9020 RF CellModem, AC/DC power		Consult

## Options/Accessories

Part #	MSI Part #	Description	Est. Weight	Price
Consult	Consult	Internal 85-265 VAC, 47-440 Hz power supply	-	Consult
143466	12147	Long range antenna, 300 m-500 m omni-directional with 9dBi gain, includes 3 m coaxial cable	0,45 kg	€385,00
Consult	Consult	9 dBi or 14 dBi gain corner reflector antenna	0,45 kg	Consult
Consult	Consult	5 dBi gain vehicle/cab mount whip antenna, includes 5,2 m coaxial cable	0,45 kg	Consult
137567	502046-0001	Non-terminated serial cable for communication port connection, 4 m longer lengths available by special order	0,45 kg	€96,00
Consult	Consult	CellScale Virtual Monitor (CVM) application software (enables PC to emulate scale indicator)	Consult	Consult

## Specifications

### Enclosure:

NEMA Type 4, IP65 milled anodized aluminum with O-ring gaskets  
NEMA Type 6, IP67 with optional long range antenna

### Weight:

1,6 kg

### Annunciators:

Three LED status lamps for power, data TX/RX and configuration

### Power Input:

9-30 VDC (Internal 85-265 VAC, 47-440 Hz power supply optional)

### Operating Temperature:

-20° C to 70° C

### Radio Link:

FHSS at 2,4 GHz (up to 64 network selections)

### Radio Link Effective Range:

Typically 150 m indoor, 300 m outdoor with standard antennas. (See optional antennas for longer range)

### Standard Antenna:

1/2 wave 2 dBi, articulated

### RF/EMI Shielding:

Exceeds NIST HB44 and CE standards

### Data I/O:

One comm port with two connector interfaces for RS-232 and RS-422

### Warranty:

One-year limited

### Approvals:

NTEP CC 05-077

# Dimensioning

## TABLE OF CONTENTS

<b>IDIMENSION® PLUS</b> .....	<b>80</b>
<i>Static Dimensioning System</i>	
<b>IDIMENSION® PLUS XL</b> .....	<b>82</b>
<i>Static Dimensioning System</i>	

### Looking for products?

Please visit [www.ricelake.com/global](http://www.ricelake.com/global) for current product pricing or call our European office at +31 (0) 26 472 1319 to talk to an industry expert about our product offerings and customized solutions.

NEW

# iDimension® Plus

Static Dimensioning System



The iDimension Plus static dimensioning system automatically measures parcels and irregular packages in less than 0.2 seconds. A small footprint allows for easy integration into current workstations or retail environments.

## Standard Features

- Displays dimensions in less than 0.2 seconds
- Dimensions parcels at 0.2 in Legal for Trade accuracy
- Dimensions irregular shape packages, polybags and uneven shapes to 0.5 in Legal for Trade accuracy
- Dimensions flats, parcels, letters or items less than 1.2 in H with scale attached or flat detection trigger located on the base plate
- 7 in USB touch screen display provides results, operator controls for operator standard functions
- Automatic Operating and Manual modes
- Easy to assemble with limited operator training
- Captures overhead photo of every item, available in .bmp or .jpg format through XML API integration
- PC interface
  - Static IP or DHCP for use with standard web service API, TCP or HTTP interface or data extraction RS-232 or USB for use with UPS Worldship®, Cubiscan 110/150 emulation and simple command response format
- Peripherals: Optional powered USB Hub for use of more than one peripheral and UPS Worldship interface. Optional USB barcode scanner with keyboard wedge emulation will manually trigger dimensioning and add barcode text data into web service API. Optional parcel and shipping scales
- The iDimension Plus is not limited to the maximum and minimum Legal for Trade measurements-it is limited to the object fitting within the field of view of the overhead sensor. See Measuring Capabilities table for example.

## Specifications

### Physical Dimensions:

Length: 63.5 cm (25 in)  
Width: 56 cm (14.25 in)  
Height: 162 cm (63.8 in)  
Weight: 13 kg (28.5 lb)

### Power Requirements:

Single power source 110-240 V external power supply, US power cord

### Object Colors:

All opaque packaging

### Measurement Time:

0.2 seconds, scale settling times vary by manufacturer

### Operating Temperature:

0° C to 30° C (32° F to 86° F)

### Humidity:

Non-condensing

### Mechanical Environment Class:

M1

### Electromagnetic Class:

E1

### I/O Ports:

(1) USB type A port (interface to scale)  
(1) 10/100/100BASE-T Ethernet port (interface to PC)

### Software Integration:

API and SDK files available for network device integration

### Package Contents:

iDimension Plus, calibration object, USB display and US power cord

### Warranty:

One-year limited warranty

### Approvals:

NTEP  
CE  
FCC

**NTEP Certified Measurement Ranges - Cube**

	Min (In)	Max (In)	Division (in)
Length	5.6	48	0.2
Width	5.6	28	0.2
Height	2.4	28	0.2

**NTEP Certified Measurement Ranges - Irregular**

	Min (In)	Max (In)	Division (in)
Length	6	48	0.5
Width	6	28	0.5
Height	6	28	0.5

**Measuring Capabilities**

Length	Width	Height
54	35	2
50	34	6
46	32	10
42	31	14
38	28	18
34	25	22
28	21	28

*Note: Measurements shown include maximum a 4 in H scale installed*

**Part Numbers/Price**

Part #	Description	Capacity	Dimen- sions	Est. Weight	Price
<b>196452</b>	iDimension Plus	–	–	44 lb	Consult
<b>Options/Accessories</b>					
<b>194625</b>	BP-P postal scale with painted mild steel weight platter & RS-232/USB cable	0-7 lb x 0.05 oz/7-70 lb x 0.2 oz	12 x 14 in		Consult
<b>184585</b>	BP-S USB shipping scale with painted mild steel weight platter	150 x 0.05 lb (75 x 0.02 kg)	12 x 14 in	17 lb	€613,00
<b>182994</b>	BP-S USB shipping scale with painted mild steel weight platter	150 x 0.05 lb (75 x 0.02 kg)	12 x 16 in	31 lb	Consult
<b>182379</b>	BP-S USB shipping scale with painted mild steel weight platter	150 x 0.05 lb (75 x 0.02 kg)	18 x 18 in	63 lb	€1.041,00
<b>182383</b>	BP-S USB shipping scale with painted mild steel weight platter	300 x 0.1 lb (150 x 0.05 kg)	18 x 18 in	63 lb	€1.041,00
<b>182396</b>	BP-S USB shipping scale with painted mild steel weight platter	300 x 0.1 lb (150 x 0.05 kg)	20 x 20 in	76 lb	Consult
<b>182400</b>	BP-S USB shipping scale with painted mild steel weight platter	300 x 0.1 lb (150 x 0.05 kg)	24 x 24 in	131 lb	Consult
<b>180007</b>	Kit, USB Hub for use with barcode scanner and scale	–	–	–	Consult
<b>176307</b>	QuickScan QD2131 barcode scanner with USB cable	–	–	4 lb	€246,00



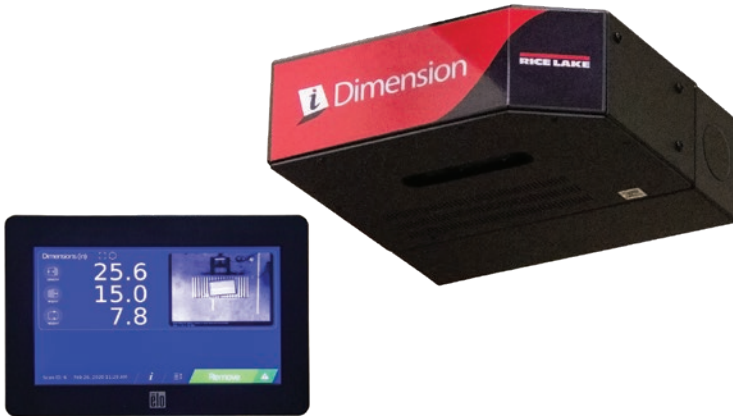
*BenchPro with mild steel shroud*

NEW

# iDimension® Plus XL

Static Dimensioning System

DIMENSIONING



The iDimension Plus XL is specifically designed for integrators to provide flexibility in the installation of a dimensioning solution anywhere over a conveyor, table or scale from a pole, ceiling mount or support beam. An optional stand is available for ease of integration over a static roller conveyor at 60.2 inches (NTEP approved) or 79 inches above the platform.

## Standard Features

- Displays dimensions in 0.2 seconds
- Dimensions parcels at 0.2 in Legal for Trade accuracy
- Dimensions irregular shape packages, polybags and uneven shapes to 0.5 in Legal for Trade accuracy
- Dimensions flats, parcels, letters or items less than 2.4 in H when installed at 79 in above platform
- 7 in USB touch screen displays weight, dimensions and functions keys required for day-day use
- Automatic Operating and Manual modes
- Limited operator training required
- Captures overhead photo of every item, available in .bmp or .jpg format through XML API integration
- PC interface
  - Static IP or DHCP for use with standard web service API, TCP or HTTP interface or data extraction
  - RS-232 or USB for use with UPS Worldship®, Cubiscan 110/150 emulation and simple command response format
- Peripherals: Optional powered USB Hub for use of more than one peripheral and UPS Worldship interface. Optional USB barcode scanner with keyboard wedge emulation will manually trigger dimensioning and add barcode text data into web service API. Optional BenchPro parcel and shipping scales are also available
- The iDimension Plus is not limited to the maximum and minimum Legal for Trade measurements-it is limited to the object fitting within the field of view of the overhead sensor. See Measuring Capabilities table for example.
- Mounting bracket with 110 – 240 V power supply mount and 25 foot US power cord provided

### Mounting and Installation Considerations:

The sensor must be installed level, free from vibration and positioned centrally over the measuring platform 1.5 m (60.2 in) height to perform to certified measurement range. Alternate mounting height of 2.0 m (79 in) is configurable.

## Specifications

### Power Requirements:

Single power source 110-240 V external power supply, 25ft US power cord

### Object Colors:

All opaque packaging

### Measurement Time:

0.2 seconds, scale settling times vary by manufacturer

### Operating Temperature:

0° C to 30° C (32° F to 86° F)

### Humidity:

Non-condensing

### Mechanical Environment Class:

M1

### Electromagnetic Class:

E1

### I/O Ports:

(3) USB type A port (scale, USB display, barcode scanner)

(1) 10/100/100BASE-T Ethernet port (interface to PC)

### Software Integration:

API and SDK files available for network device integration

### Package Contents:

iDimension 100XL sensor, mounting bracket, USB display, calibration object, DC power supply with 25 ft power US cord, 118" Micro b USB display and USB-A extension cable

### Warranty:

One-year limited warranty

### Approvals:

NTEP FCC



www.ricelake.com/global | Phone: +31 (0) 26 472 1319

RICE LAKE

**NTEP Certified Measurement Ranges - Cube**

	Min (In)	Max (In)	Division (in)
Length	5.6	48	0.2
Width	5.6	28	0.2
Height	2.4	28	0.2

**NTEP Certified Measurement Ranges - Irregular**

	Min (In)	Max (In)	Division (in)
Length	6	48	0.5
Width	6	28	0.5
Height	6	28	0.5

**Measuring Capabilities @ 60.2in high**

Length	Width	Height
58	26	2
54	35	6
52	32	10
46	32	14
40	30	18
38	28	22
32	24	28
28	21	32

**Measuring Capabilities @ 79in high**

Length	Width	Height
76	57	4
72	54	8
68	51	12
64	48	16
60	45	20
56	42	24
52	39	28
48	36	32
44	33	36
36	27	44
30	22	50

**Part Numbers/Price**

Part #	Description	Capacity	Dimensions	Est. Weight	Price
<b>198587</b>	iDimension Plus XL	–	–	–	Consult
<b>Floor Stand Options/Accessories</b>					
<b>174660</b>	Single sensor iDimension XL floor mount stand with packaging, ships only LTL	–	–	–	Consult
<b>185107</b>	Single sensor iDimension XL floor mount stand, no packaging for on purchasing two or more systems	–	–	–	Consult
<b>182195</b>	Dual sensor iDimension XL floor mount stand, with packaging, ships only LTL	–	–	–	Consult
<b>182265</b>	iDimension stand packaging only	–	–	–	Consult
<b>184262</b>	iDimension XL USB display RAM mount kit for use with stand	–	–	–	€138,00
<b>iDimension 100XL Plus Options/Accessories</b>					
<b>194625</b>	BP-P postal scale with painted mild steel weight platter & RS-232/USB cable	0-7 lb x 0.05 oz/7-70 lb x 0.2 oz	12 x 14 in		Consult
<b>184585</b>	BP-S USB shipping scale with painted mild steel weight platter	150 x 0.05 lb (75 x 0.02 kg)	12 x 14 in	17 lb	€613,00
<b>182994</b>	BP-S USB shipping scale with painted mild steel weight platter	150 x 0.05 lb (75 x 0.02 kg)	12 x 16 in	31 lb	Consult
<b>182379</b>	BP-S USB shipping scale with painted mild steel weight platter	150 x 0.05 lb (75 x 0.02 kg)	18 x 18 in	63 lb	€1.041,00
<b>182383</b>	BP-S USB shipping scale with painted mild steel weight platter	300 x 0.1 lb (150 x 0.05 kg)	18 x 18 in	63 lb	€1.041,00
<b>182396</b>	BP-S USB shipping scale with painted mild steel weight platter	300 x 0.1 lb (150 x 0.05 kg)	20 x 20 in	76 lb	Consult
<b>182400</b>	BP-S USB shipping scale with painted mild steel weight platter	300 x 0.1 lb (150 x 0.05 kg)	24 x 24 in	131 lb	Consult
<b>176307</b>	QuickScan QD2131 barcode scanner with USB cable	–	–	4 lb	€246,00
<b>198590</b>	Cable assy USB, USB 2.0 Type A male to type A female 3 meters	–	–	–	Consult
<b>180007</b>	Kit, USB Hub for use with barcode scanner and scale	–	–	–	Consult



# Dynamic Weighing

## TABLE OF CONTENTS

<b>BS143</b> .....	86
<i>Medium to Heavy Capacity Belt Scale</i>	
<b>BS211</b> .....	87
<i>Medium to Heavy Capacity Belt Scale</i>	
<b>BS221DB</b> .....	88
<i>Medium to Heavy Capacity Belt Scale</i>	
<b>BS311</b> .....	89
<i>Medium to Heavy Capacity Belt Scale</i>	
<b>BS421</b> .....	90
<i>Light Capacity Belt Scale</i>	
<b>BS611</b> .....	91
<i>Light to Medium Capacity Belt Scale</i>	
<b>BS611HD</b> .....	92
<i>Medium Capacity Belt Scale</i>	
<b>SPU2160</b> .....	93
<i>Speed Pickup</i>	
<b>SPU5020</b> .....	94
<i>Speed Pickup</i>	
<b>SPU5026</b> .....	95
<i>Speed Pickup</i>	
<b>SPU012P</b> .....	96
<i>Speed Pickup</i>	
<b>MASTER BULKSLIDE</b> .....	97
<i>Solids Flow Meter</i>	
<b>IFM30</b> .....	98
<i>Impact Flow Meter System</i>	
<b>LOSS-IN-WEIGHT FLOW FEEDER</b> .....	99
<b>WS911</b> .....	100
<i>Screw Weigher</i>	
<b>WEIGH BELT FEEDERS</b> .....	101
<b>882D BELT SCALE INTEGRATOR</b> .....	102
<b>920I® BELT SCALE INTEGRATOR</b> .....	103
<b>MASTER WE503</b> .....	104
<i>Multi-Functional Weighing and Filling Programs</i>	

## Looking for products?

Please visit [www.ricelake.com/global](http://www.ricelake.com/global) for current product pricing or call our European office at +31 (0) 26 472 1319 to talk to an industry expert about our product offerings and customized solutions.

## BS143

### Medium to Heavy Capacity Belt Scale



#### Standard Features

- Custom-made weighframe for application
- Inner frame is free-floating platform
- Weighframe fits standard conveyor system
- Multiple idler

#### Options Available

- Models available for ATEX, categories II2D and II3D (zone 21 and 22)

#### Applications

- Medium to heavy capacity belt scales

#### Part Number/Price

Part #	Description	Price
Consult	BS143 belt scale	Consult

#### Specifications

**Conveyor Width:**  
500 - 3.000 mm

**Capacity:**  
20-20.000 t/h

**Belt Speed:**  
0,1-7 m/s

**Inclination:**  
Max 25 degrees

**Integrator:**  
WE403D, WE404D, WE503D, 920BCi, 882

**Accuracy Guidelines:**  
MID approval, Class 0,5 / 1 / 2

**System Accuracy:**  
Application specific from  $\pm 0,5\%$

**Material:**  
Powder coated steel / galvanised steel / stainless steel

**Junction Box:**  
JBL

**Speed Pickups:**  
**Application will determine:**  
SPU5020, SPU5826, SPU012P, SPU2160N, SPU2160EN

**Warranty:**  
One-year limited warranty

# BS211

Medium to Heavy Capacity Belt Scale

## Specifications

**Conveyor Width:**  
500 to 2,000 mm

**Capacity:**  
1-3,000 t/h

**Belt Speed:**  
0,1-2,5 m/s

**Inclination:**  
Max 25 degrees

**Integrator:**  
WE403D, WE404D, WE503D, 920BCi, 882

**Accuracy Guidelines:**  
MID approval, Class 1 / 2

**System Accuracy:**  
Application specific from  $\pm 0,5\%$ -1%

**Material:**  
Powder coated steel, galvanized steel,  
stainless steel

**Junction Box:**  
JBW

**Speed Pickups:**  
**Application will determine:**  
SPU5020, SPU5826, SPU012P, SPU2160N,  
SPU2160EN

**Warranty:**  
One-year limited warranty



## Standard Features

- Friction-free pivots
- One load cell carrier beam
- Fits standard conveyor
- Custom made

## Options Available

- Models available for ATEX, categories II2D and II3D (zone 21 and 22)

## Applications

- Medium to heavy capacity belt scales

## Part Number/Price

Part #	Description	Price
Consult	BS211 belt scale	Consult

## BS221DB

Medium to Heavy Capacity Belt Scale



### Standard Features

- Weighframe is mounted on outside of conveyor
- Minimum modifications to conveyor are required
- Service friendly
- Friction-free pivot supports
- Two support beams
- Fits standard conveyors - mounts with four bolts

### Options Available

- Models available for ATEX, categories II2D and II3D (zone 21 and 22)

### Applications

- Medium to heavy capacity belt scales

### Part Number/Price

Part #	Description	Price
Consult	BS221DB belt scale	Consult

### Specifications

**Conveyor Width:**  
500 - 3.000 mm

**Capacity:**  
1-2.000 t/h

**Belt Speed:**  
0,1-2,5 m/s

**Inclination:**  
Max 25 degrees

**Integrator:**  
WE403D, WE404D, WE503D, 920BCi, 882

**Accuracy Guidelines:**  
MID approval, Class 1 / 2

**System Accuracy:**  
Application specific from  $\pm 1\%$

**Material:**  
Powder coated steel, galvanized steel,  
stainless steel

**Junction Box:**  
JBW, IP66

**Speed Pickups:**  
**Application will determine:**  
SPU5020, SPU5826, SPU012P, SPU2160N,  
SPU2160EN

**Warranty:**  
One-year limited warranty

## Specifications

**Conveyor Width:**  
500-1.200 mm

**Capacity:**  
1-1.500 t/h

**Belt Speed:**  
0,1-1,5 m/s

**Inclination:**  
Max 10 degrees

**Integrator:**  
WE403D, WE404D, WE503D, 920BCi, 882

**Accuracy Guidelines:**  
MID approval, Class 1 / 2

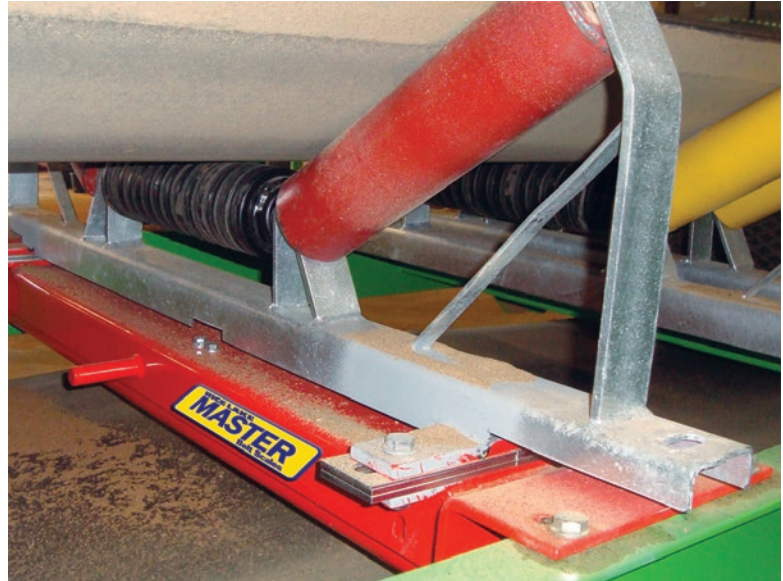
**System Accuracy:**  
Application specific from  $\pm 1\%$

**Material:**  
Powder coated steel, galvanized steel,  
stainless steel

**Junction Box:**  
JBW

**Speed Pickups:**  
**Application will determine:**  
SPU5020, SPU5826, SPU012P, SPU2160N,  
SPU2160EN

**Warranty:**  
One-year limited warranty



## Standard Features

- Minimum modifications to conveyor are required
- Weighframe without moving parts
- Fits standard conveyors - mounts with four bolts

## Applications

- Medium to heavy capacity belt scales

## Options Available

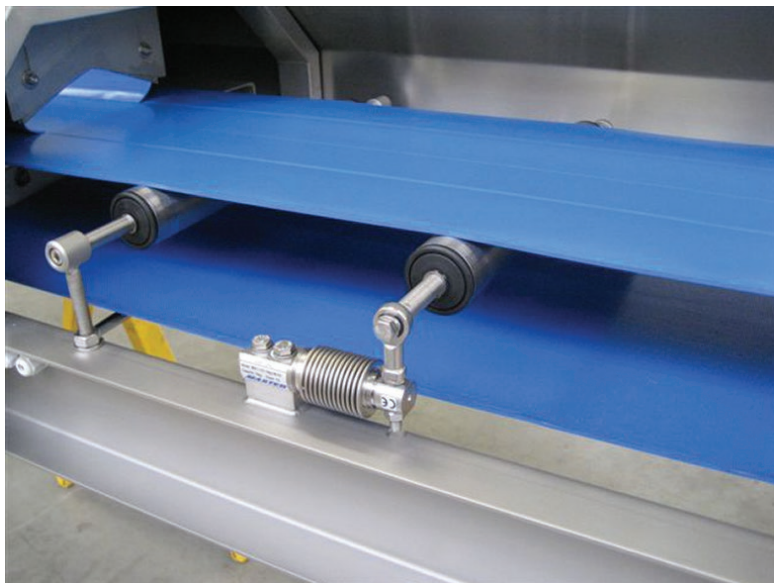
- Models available for ATEX, categories II2D and II3D (zone 21 and 22)

## Part Number/Price

Part #	Description	Price
Consult	BS311 belt scale	Consult

## BS421

Light Capacity Belt Scale



### Standard Features

- Plane roller supported on both sides by load cell construction
- Open design - facilitates easy cleaning

### Options Available

- Models available for ATEX, categories II2D and II3D (zone 21 and 22)

### Applications

- Light capacity belt scales

### Part Number/Price

Part #	Description	Price
Consult	BS421 belt scale	Consult

### Specifications

**Conveyor Width:**

300 to 1.600 mm

**Capacity:**

0,1-60 t/h

**Belt Speed:**

Max 1,0 m/s

**Inclination:**

0 degrees

**Integrator:**

WE403D, WE404D, WE503D, 920BCi, 882

**Accuracy Guidelines:**

MID approval, Class 1 / 2

**System Accuracy:**

Application specific from  $\pm 1\%$

**Material:**

Stainless steel 304

**Junction Box:**

JBW

**Speed Pickups:****Application will determine:**

SPU5020, SPU5826, SPU012P, SPU2160N, SPU2160EN

**Warranty:**

One-year limited warranty

## Specifications

**Conveyor Width:**  
500 to 800 mm

**Capacity:**  
1-100 t/h

**Belt Speed:**  
0,1-1,5 m/s

**Inclination:**  
Max 15 degrees

**Integrator:**  
WE403D, WE404D, WE503D, 920BCi, 882

**System Accuracy:**  
Application specific from  $\pm 1\%$

**Material:**  
Powder coated steel

**Junction Box:**  
JBW

**Speed Pickups:**  
**Application will determine:**  
SPU5020, SPU5826, SPU012P, SPU2160N,  
SPU2160EN

**Warranty:**  
One-year limited warranty



## Standard Features

- Outer frame with friction-free pivots
- Fits standard conveyor

## Applications

- Light to medium capacity belt scales

## Options Available

- Models available for ATEX, categories II2D and II3D (zone 21 and 22)

## Part Number/Price

Part #	Description	Price
Consult	BS611 belt scale	Consult

## BS611HD

Medium Capacity Belt Scale



### Specifications

**Conveyor Width:**

650 to 1.200 mm

**Capacity:**

1-200 t/h

**Belt Speed:**

0,1-1,5 m/s

**Inclination:**

Max 15 degrees

**Integrator:**

WE403D, WE404D, WE503D, 920BCi, 882

**System Accuracy:**

Application specific from  $\pm 1\%$

**Material:**

Powder coated steel

**Junction Box:**

JBW

**Speed Pickups:****Application will determine:**

SPU5020, SPU5826, SPU012P, SPU2160N, SPU2160EN

**Warranty:**

One-year limited warranty

### Standard Features

- Outer frame with friction-free pivots
- Fits standard conveyor

### Applications

- Medium capacity belt scales

### Options Available

- Models available for ATEX, categories II2D and II3D (zone 21 and 22)

### Part Number/Price

Part #	Description	Price
Consult	BS611HD belt scale	Consult

## Specifications

### Mechanical Characteristics:

Enclosure: aluminum, IP65

### Cable input/output: 1 x NPT 13 mm

Connection: terminal block 3 x 1,5 mm<sup>2</sup>

### Minimum Speed:

20 revolutions per minute (16,6Hz)

### Maximum Speed:

1.500 revolutions per minute (1.250 Hz)

### Generated Signal:

50 pulses per revolution

### Operating Temperature:

-25°C to 65°C

### Shaft:

Stainless steel

### Warranty:

One-year limited warranty

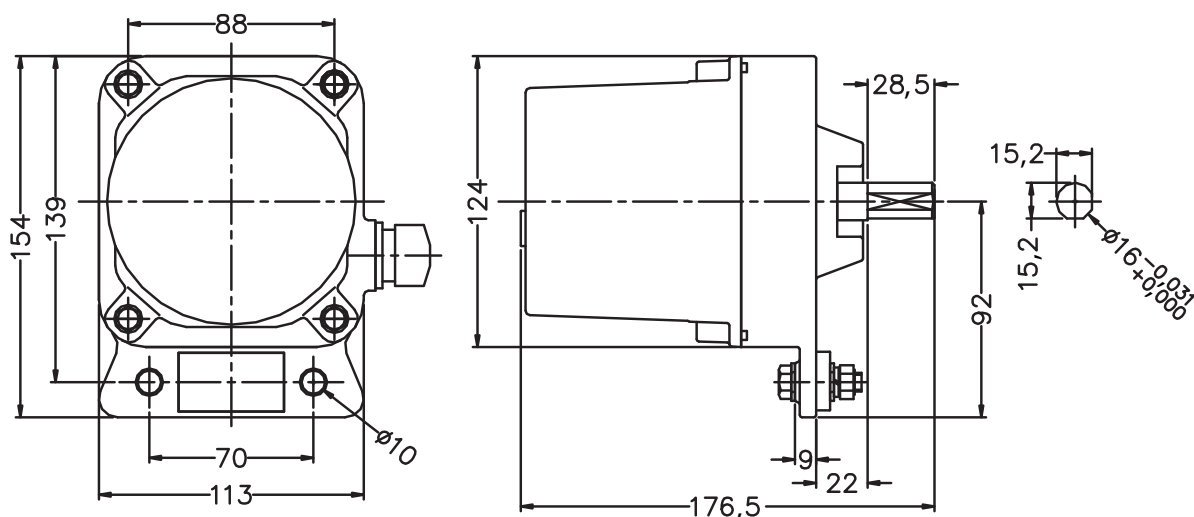


## Standard Features

- Rigid speed sensing device for dynamic weighing
- Features direct coupling to the conveyor tail pulley
- No wheels ride on the belt

## Part Number/Price

Part #	Description	Est. Weight	Price
157689	SPU2160N-0050, 50 ppr (generator style)	2,2 kg	€715,00
157690	SPU2160EN-0600, 600 ppr (encoder style)	2,2 kg	€858,00



# SPU5020

Speed Pickup



## Standard Features

- Reliable mounting in wide variety of installation situations
- Standard encoder for use worldwide
- Sturdy (Safety-lock™) design bearing structure
- Resistant die-cast housing

## Part Number/Price

Part #	Description	Est. Weight	Price
157682	Speed pickup, SPU5020-0100; 100ppr	0,4 kg	€506,00
157683	Speed pickup, SPU5020-0500; 500ppr	0,4 kg	€506,00
157684	Speed pickup, SPU5020-0100C; 100ppr anti-corrosion protection	0,4 kg	€675,00
157685	Speed pickup, SPU5020-0100-M12; 100ppr M12 connector	0,4 kg	€560,00
160155	Speed pickup, SPU5020-0100-ATEX; 100 ppr ATEX approval	0,4 kg	€610,00

## Specifications

### Material Characteristics:

IP67

### Rotor Moment of Inertia:

Shaft version: approx. 1,8 x 10<sup>-6</sup> kgm<sup>2</sup>

Hollow shaft version: approx. 6 x 10<sup>-6</sup> kgm<sup>2</sup>

Radial load capacity shaft: 80N

Axial load capacity shaft: 40N

### CE Requirements:

EN61000-6-4, EN61000-6-4, and EN61000-6-3

### Operating Temperature:

-40° C to 85° C

### Connection:

M23 or M12 connector

### Electrical Characteristics:

Output circuit: TTL compatible

Supply voltage: push-pull 10 50 30VDC (or 7272 - 5 to 30VDC)

Power consumption: push-pull 50 mA to 100 mA

Permissible load/channel: ±20 MA to 300 kHz

Signal level high: push-pull min UB-1V (7272-UB-2.0V)

Rise time/fall time : push-pull max 1 µs

### Dimensions:

OD 50,8 mm, installation depth max 47 mm

### Shaft:

N/A

### Warranty:

One-year limited warranty

## Specifications

### Mechanical Characteristics:

Speed without sealing: max 12.000 min (continuous operation max 1.500 min)  
 Speed with sealing: max 6.000 min (continuous max 1.500 min)  
 Rotor moment of inertia: approximately 6 x 10-6k gm<sup>2</sup>  
 Starting torque without sealing: < 0,01 Nm  
 Starting torque with sealing: <0,05 Nm  
 Protection: EN60529 without sealing IP40;  
 EN60529 with sealing IP68

### Material Characteristics:

IP67

### Shock Resistant:

2.000 m/s<sup>2</sup>, 6 ms

### Vibration Resistant:

100 m/s<sup>2</sup>, 10 ... 2.000 Hz

### Electrical Characteristics:

Output circuit: TTL-compatible  
 Supply voltage: push-pull 10 to 30VDC or 5 to 30 FDC  
 Power consumption (no load); push-pull type  
 55 mA,  
 max 125 mA (without inverted signals)  
 Permissible load/channel: push-pull - ± 30 mA  
 Pulse frequency: 300 kHz max  
 Signal level high: push-pull U<sub>b</sub>-3V  
 Signal level low: push-pull 2,5V or 1,5V  
 Rise/Fall time: push-pull 1 µs

### Dimensions:

58 x 40,4 mm

### Protection:

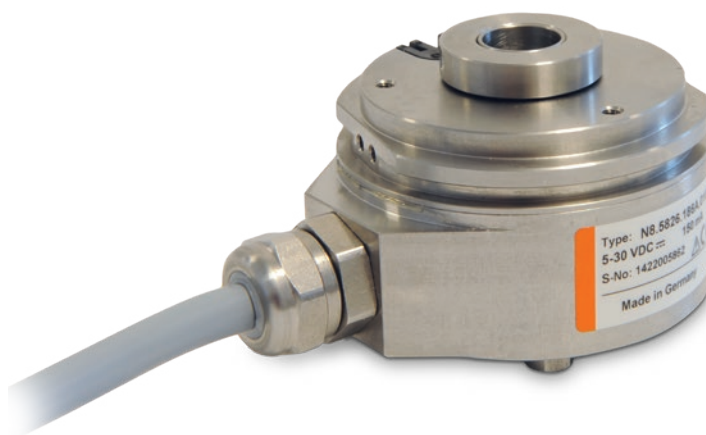
IP66

### Operating Temperature:

Without sealing: -20° C to 90° C  
 Sealed: -20° C to 85° C

### Shaft:

N/A



## Standard Features

- Stainless steel speed sensor
- Direct coupling to conveyor tail pulley
- Low-profile 42mm package design

## Part Number/Price

Part #	Description	Est. Weight	Price
157686	Speed pickup, SPU5826-0100; 100 ppr	0,4 kg	€930,00
157687	Speed pickup, SPU5826-1000; 1000 ppr	0,4 kg	€930,00

*Through-shaft design*

# SPU012P

Speed Pickup

## Specifications

**Material Characteristics:**  
Galvanized steel

**Sensor:**  
M12 proximity  
10 pulses per turn

**Shaft:**  
Stainless steel

**Warranty:**  
One-year limited warranty

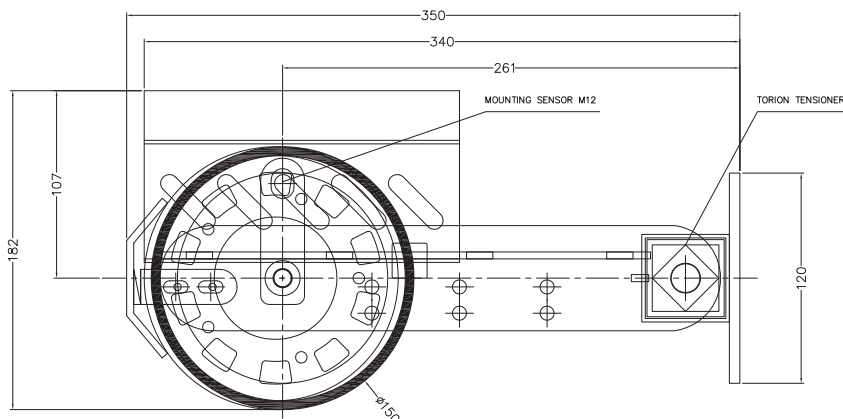
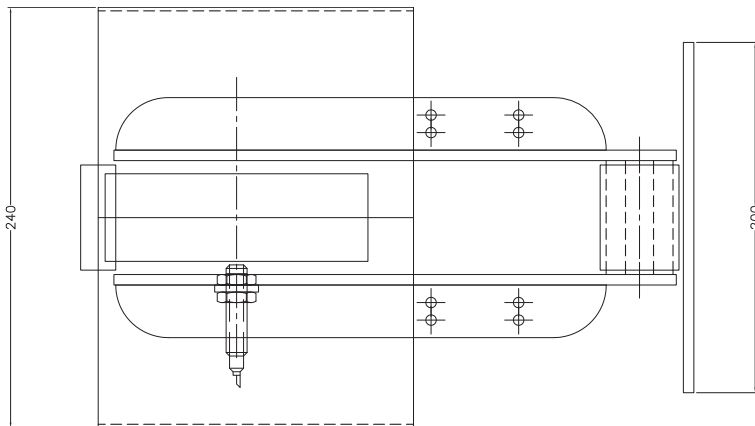


## Standard Features

- Run wheel type
- Replacement part

## Part Number/Price

Part #	Description	Price
157692	Speed pickup, SPU012P-W010 run wheel, proximity sensor, powder coated steel	€812,00
160030	Speed pickup, SPU012P-W010G, run wheel, proximity sensor, steel galvanized	€1.000,00
157693	Speed pickup, SPU012P sensor, proximity sensor, M12 with M12 cable set	€154,00
157694	Speed pickup, SPU018P sensor, proximity sensor, M18 with 1 m cable	€154,00



# Master Bulkslide

Solids Flow Meter

## Specifications

**System Dimensions:**

Height from 320 up to 1.250 mm

**Construction:**

Carbon Steel or Stainless Steel anti wear by Hardox, Ceramic, etc.

**Capacity:**

from 0,5 up to 600 m3/hr

**Speed:**

-40 to +75°C, optional up to +160°C

**Approvals:**

Ex, ATEX

**System Accuracy:**

from  $\pm 0,5\%$

**Warranty:**

One-year limited warranty



## Standard Features

- Pre-calibrated
- Accuracy from  $\pm 0,5\%$
- Independent from density
- Custom made with 4-20mA or fieldbus communication option

## Part Number/Price

Part #	Description	Price
Consult	BulkSlide solids flow meter	Consult

## IFM30

### Impact Flow Meter System



### Specifications

**Material:**

Mild steel  
Flange and membrane: rubber

**Load Cell:**

Aluminum, optional stainless steel or ATEX versions available

**Power Supply:**

5-15VDC (stabilized from electronics)

**Signal:**

2 mV/V at 100% load

**Junction Box:**

ABS plastic model JBS

**Dimensions:**

Plate and housing: 300 x 300 mm

**Warranty:**

One-year limited warranty

### Standard Features

- No moving parts
- Sensing element is mounted in sensor housing
- Easy access door
- One basic sensor design works all measuring ranges
- Mild steel (also available in SS304, SS316 or food grade)
- Optional ATEX approved for II2D and II3D (zone 21 and 22)
- Complete system is made up of IFM30 sensor, IFP30 sensing plate, IFH30 housing and flow meter integrator (model WE302D)

### Applications

- Continuous mass flow measurement in bulk solids conveying systems

### Part Number/Price

Part #	Description	Est. Weight	Price
Consult	Impact sensor IFM30-MD3, 60 m3/hr.	30 kg	Consult
Consult	Impact plate IFP30-MD	10 kg	Consult
Consult	Impact plate housing IFH30-MD	40 kg	Consult

### Options/Accessories

Part #	Description	Price
Consult	Custom sensing plate sizes	Consult
Consult	ATEX approved II2D and II3D (Zone 21 and 22)	Consult

# Loss-In-Weight Flow Feeder



With Loss-In-Weight, the weight reduction per time interval is measured and integrated to a flow. A regulation can then be added to create a closed regulation loop by dosing. Product could be conveyed by a screw conveyor, vibrating conveyor, belt conveyor or others. The scale by itself, or the complete system with dosing conveyor can be purchased.

Depending on the material's behavior, an agitation may have to be added. This could be a flexible wall, an agitation screw, pneumatically moving plates or air pads. Our expertise and customer support ensure the correct system is chosen to fit your application.

## Standard Features

- Agitation of the flexible hopper with paddles
- Equipped with two motors for independent motion of the agitation
- Screws are easily replaceable for running different capacities or products
- Flexible hopper easily replaceable for cleaning or product change
- Self-supporting, fully welded frame, so an extension hopper can be mounted
- Execution in mild steel or in SS304

## Applications

- Continuous flow measurement and control

## Part Number/Price

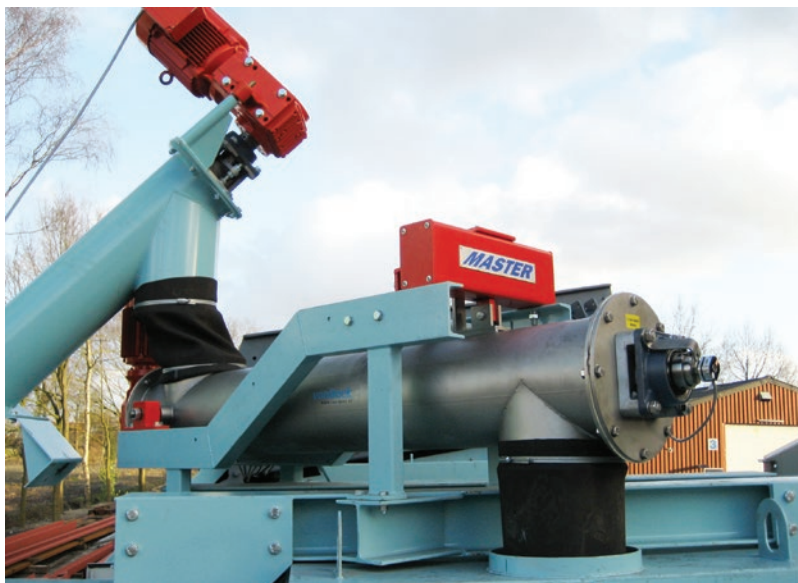
Part #	Description	Price
Consult	Model FW42 up to maximum 150 ltr/hr	Consult
Consult	Model FW62 up to maximum 1.300 ltr/hr	Consult
Consult	Model FW82 up to maximum 32.000 ltr/hr	Consult



Refer to Controller/Indicators for indicators on page 125  
Refer to Speed Pick ups starting on page 93

# WS911

Screw Weigher



## Standard Features

- Creates an in-line measurement without disturbing the product flow
- Inlet and outlet are mechanically isolated with flexible connection
- Dust closed design, dust-free

## Options

- ATEX approval

## Part Number/Price

Part #	Description	Price
Consult	Weighframe WS911 - add controller and speed pickup	Consult

## Specifications

### Weighframe:

Powder coated steel frame, stainless steel available  
 Fixed frame with frictionless pivots and load cell carrier  
 Screw conveyor mounted in load cell carrier and the pivots

### Mounting:

Six bolts

### Load Cell:

Stainless steel, IP67

### Accuracy Guidelines:

Consult

### Junction Box:

JBW shockproof reinforced polycarbonate, IP66  
 Four or six wire load cell cable

### Speed Pick-up:

Model SPU5020 or 5826  
 Mounted directly on axle end

### Indicator:

WE302D, WE303D, WE304D, OR WE404D

### Warranty:

One-year limited warranty

# Weigh Belt Feeders

## Specifications

- Belt Scale:**  
Integrated model: BS421, BS211DB, BS311, BS143
- Integrator:**  
WE403D, WE404D, WE503D, 920BCi, 882
- Accuracy Guidelines:**  
MID approval, Class 1 / 2
- System Accuracy:**  
Application specific from  $\pm 1\%$
- Material:**  
Powder coated steel, galvanized steel, stainless steel
- Junction Box:**  
JBW
- Electronics:**  
WE302D, WE303D, WE403D or WE404D
- Waranty:**  
One-year limited warranty



## Standard Features

- Standard range in different dimensions
- Customized execution on request
- Customized for application requirements

## Applications

- Food grade units available to meet HACCP requirements
- Low load applications with metering tubes

## Part Number/Price

Part #	Description	Price
Consult	Weigh belt feeder	Consult

# 882D Belt Scale Integrator



## Standard Features

- LCD display, seven-digit, seven-segment weight display, 3 x 20 pixelated prompt area
- RS-232 or RS-485 serial port
- USB device port connects directly to a PC
- Ethernet TCP/IP polled or continuous
- AC or DC models
- Hardware slot for two option cards
- Operator functions through menu key for audit trail, preset tare, accumulator, time & date and setpoints
- Audit trail tracking for configuration and calibration changes. Password protection for user and configuration changes
- Setpoints for control and alarms
- Four onboard digital I/O channels
- Four programmable ticket formats up to 1,000 characters
- Filter settings for light, medium and heavy noise
- Speed inputs

## Approvals



## Specifications

- Power:**  
Input voltages: 100-240 VAC; 9-36 VDC  
Input frequency: 47-63 Hz
- Power Consumption:**  
AC: 15 watts; DC: 20 watts
- Excitation Voltage:**  
10 VDC 8 x 350 Ω (16 x 700 Ω) load cells
- Analog Signal Input Range:**  
-45 mV to 45 mV
- Analog Signal Sensitivity:**  
0.3 μV/graduation minimum at 7.5 Hz;  
1.0 μV/graduation typical at 120 Hz
- Sample Rate:**  
7.5 to 120 Hz, software selectable
- Resolution:**  
Internal: 8 million counts 23 bit weight display:  
100,000
- System Linearity:**  
± 0.01% full scale
- Digital I/O:**  
Four I/O onboard primary keys, pseudo functions, batching functions
- Circuit Protection:**  
18 KV, 10 V/meter
- Communication Ports:**  
RS-232 full duplex or RS-485 half duplex; USB micro A/B connector 2.0; Ethernet TCP/IP
- Pulse Input:**  
Dual inputs for redundancy
- Display:**  
LCD display, seven-digit, seven-segment weight display, 3 x 20 pixelated prompt area
- Status Annunciators:**  
Load, total, rate, speed, zero
- Keyboard:**  
Flat membrane panel, tactile feel
- Operating Temperature:**  
Industrial: -10° C to 50° C
- Dimensions (W x H x D):**  
Universal: 250,7 x 238 x 110mm
- Weight:**  
Universal: 5.4 kg
- Rating:**  
IP66
- Material:**  
Universal: stainless steel
- Warranty:**  
Two-year limited warranty
- Approvals:**  
CE Marked  
UL/c-UL Listed
- 
- Options**
- Analog Output:**  
16-bit resolution, 0-10 VDC, 0-20 mA, 4-20 mA
- Relay Board:**  
Four dry contact relays; DC Max: 30 VDC at 3 amps  
AC max: 250 VAC at 3 amps per contact
- EtherNet/IP Interface:**  
According to EN 50325-2
- Profinet Interface:**  
According to IEC 61784 (CPF-3/3)
- Modbus/TCP Interface:**  
Up to 8 bytes of I/O data, 100Mbps full duplex  
Ethernet
- DeviceNet Interface:**  
According to EN 50325-2
- Profibus DP Interface:**  
According to EN 50170
- EtherCAT**  
According to IEEE 802.3
- Digital I/O**  
24 channel I/O expansion boards available

## Part Number/Price

Part #	Description	Price
<b>Integrators</b>		
177708	120VAC	€1.829,00
180847	220VAC Euro power cord	€1.829,00
184683	9-36VDC	€1.972,00

## Options/Accessories

Part #	Description	Price
190527	882D option, digital I/O	€309,00
190528	882D option, single analog out	€342,00
190529	882D option, relay interface	€404,00
177850	Panel mount kit	€186,00
<b>Network Cards</b>		
190530	882D option, Ethernet/IP	€570,00
190531	882D option, DeviceNet	€547,00
190532	882D option, Profinet	€547,00
190534	882D option, Profibus	€547,00
190533	882D option, Modbus TCP	€547,00
190535	882D option, EtherCAT	€547,00

## Specifications

**Line Voltages:** 115 or 230 VAC,  
Frequency: 50 or 60 Hz

**Power Consumption:**  
340 mA, maximum at 115VAC (26W)  
240 mA at 230VAC (26W)

**Excitation Voltage:**  
10 ± VDC, 16 x 350 Ω or 32 x 700 Ω load cells per  
A/D card

**Analog Signal Input Range:**  
-10 mV to +45 mV

**Analog Signal Sensitivity:**  
0.3 μV/graduation minimum at 7.5 Hz  
1.0 μV/graduation typical at 120 Hz  
4.0 μV/graduation typical at 960 Hz

**A/D sample rate:**  
7.5 to 960 Hz, software selectable

**Resolution:**  
Internal Resolution: Eight million counts

**Weight Display Resolution:**  
9,999,999

**System Linearity:**  
± 0.01% full scale

**Digital I/O:**  
Six I/O channels on CPU board; optional 24-channel  
I/O expansion boards available

**Circuit Protection:**  
RFI, EMI, ESD protection

**Serial Ports:**  
Four ports on CPU board support up to 115,200  
bps; optional dual-channel serial expansion  
boards available  
Port 1: Full duplex RS-232  
Port 2: RS-232 with CTS/RTS;  
PS/2 keyboard interface via DB-9 connector  
Port 3: Full duplex RS-232, 20 mA output  
Port 4: Full duplex RS-232, 2-wire RS-485,  
20 mA output

**Display:**  
(W x H) 116 x 86 mm  
320 x 240 pixel VGA liquid crystal display (LCD)  
module with adjustable contrast

**Keyboard:**  
27-key membrane panel, tactile feel, PS/2 port for  
external keyboard connection

**Operating Temperature:**  
-10° C to 40° C

**Industrial:**  
-10° C to 50° C

**Dimensions:**  
Universal: (W x H x D) 266 x 215 x 114 mm  
Deep Universal: (W x H x D) 273 x 273 x 137 mm

**Weight:**  
Panel Mount Enclosure: 3.9 kg  
Deep Universal: 5.0 kg

**Rating/Material:**  
NEMA Type 4X/IP66, stainless steel

**Warranty:**  
Two-year limited warranty on integrator and load  
cells

**Approvals:**  
CE Marked  
UL and C-UL listed (universal, deep and wall  
mount enclosure)  
Custom wall mount approved for 508A (optional)  
Panel mount UL recognized



## Standard Features

- Large (W x H) 116 x 86mm 320 x 240 pixel backlit LCD graphical display
- NEMA Type 4X/IP66 stainless steel display enclosure
- Four bidirectional communication ports
- Rate and speed time displayed by the hour, minute or second
- Measurement displayed in feet or meters
- Unit of rate displayed in tons, pounds, kilograms, metric tons or long tons
- Digital I/O for totalizer
- Optional analog and alarm outputs
- For added security, integrator has the ability to be password protected
- Optional communication protocol cards include ControlNet, Rockwell Automation's DeviceNet, Rockwell Automation's Remote I/O, Rockwell Automation's EtherNet IP, Profibus DP, 0-10 VAC or 4-20 mA analog output, Ethernet TCP/IP,
- Standard communication RS-232, RS-485, 20 mA current loop
- Built-in support for ticket printing

## APPROVALS



## Part Number/Price

Part #	Description	Price
<b>Integrators</b>		
95214	Belt scale integrator 115VAC, deep enclosure	€2,523,00
95215	Belt scale integrator 230VAC, deep enclosure	€2,523,00
170693	Belt scale integrator, panel mount	€2,523,00
170694	Belt scale integrator, wall mount	€2,969,00
107615	Belt scale integrator with UPS 115VAC	€2,618,00
107616	Belt scale integrator with UPS 230VAC	€2,618,00
120551	Belt scale integrator with deep enclosure, two slot expansion, EtherNet IP for A-B, 230V	€3,606,00
150811	Belt scale integrator with deep enclosure, two slot expansion, analog output	€3,178,00
69782	Two-slot expansion board (wall mount)	€300,00
71743	Two-slot expansion board (panel mount & deep universal)	€300,00
98057	Ethernet TCP/IP, wireless LAN card 802.11 B/G	€642,00
87803	Ethernet IP (specifically for A-B PLC)	€798,00
67602	Analog output: selectable 0-10V, 0-20 mA	€309,00

See Indicators for additional 920i options

# Master WE503

Multi-Functional Weighing and Filling Programs



## Specifications

- Power:**  
110 to 240VAC and 12/24VDC
- Excitation Voltage:**  
5VDC, 16 analog 350 Ohm load cells
- Analog Signal Input Range:**  
10 mV
- Analog Signal Sensitivity:**  
0,3 µV/e
- Resolution:**  
3.000.000 d
- Measurement Rate:**  
Up to 3200 updates/second
- Circuit Protection:**  
EN 45501 and EN 61000-6-2
- Load Cell Connection:**  
Four or six wires
- Internal Data Archive:**  
Alibi memory
- Display:**  
Graphic LCD display
- Keyboard:**  
Programmable function keys

## Standard Features/Applications

- Industrial design with modular hardware ideal choice for:
  - Belt scales
  - Weigh belt feeders
  - Screw weigh systems
  - Bulkslide flowmeters
  - Impact flowmeters
  - Loss-in-Weight feeders
  - Shipping and receiving
  - Filling of liquid and solid material
  - Checkweighers
  - Dynamic weighing and batching systems
  - Vehicle weighing
  - Mobile data capture systems

## Approvals



- Digital I/O:**  
2 inputs and 4 outputs
- Interfaces:**  
2 x RS232, 1 x RS232/RS485,
- Optional:**  
Fieldbus, Ethernet, Bluetooth®, Analog Input, Analog Output  
Additional digital IO, 6 inputs and 12 outputs  
USB stick for data storage 5.000.000
- Material:**  
Stainless steel
- Rating:**  
IP68
- Dimensions:**  
243 x 265 x 145 mm
- Operating Temperature:**  
-10° C to 40° C
- Warranty:**  
One-year limited warranty

## Part Number/Price

Part #	Description	Price
<b>Wall Mount, Table Top and Panel Mount</b>		
185147	WE503	€1.540,00

## Options/Accessories

Part #	Description	Price
185254	Analog output 0/4-20 mA, 0-10VDC	Consult
Consult	Analog input	Consult
Consult	Profibus	Consult
Consult	Profinet	Consult
Consult	Ethernet/IP	Consult
Consult	EtherCAT	Consult
Consult	CANOpen	Consult
Consult	DeviceNET	Consult
Consult	Modbus TCP	Consult
193815	Expansion board (required for analog output option)	Consult

- Approvals:**  
OIML R76 / MID R51,  
10000e or multirange 3 x 3.000e (\*\*)  
Single, multi-range or multi-interval

# Floor Scales

## TABLE OF CONTENTS

<b>ROUGHDECK® HP</b> .....	106
<i>High Performance Low-Profile Floor Scale</i>	
<b>RL-MEF</b> .....	107
<i>Low-Profile Steel Floor Scale</i>	
<b>RL-SEF</b> .....	109
<i>Low-Profile Stainless Steel Floor Scale</i>	

*For customized floor scales that fit your specific application, call our European office at +31 (0) 26 472 1319 to talk to an industry expert.*

### **RoughDeck CS**

The RoughDeck CS coil scale is reinforced with a wider capacity range and heavier construction for the demanding process of weighing dense coils of steel.

### **Roughdeck HP-H**

For heavy-duty, industrial settings, the RoughDeck HP-H is available in 10 to 15 ton capacities and delivers reliable performance for the most demanding applications.

### **RoughDeck BDP**

Available in both stainless and mild steel construction, the RoughDeck BDP easily accommodates a range of applications. The low-profile design allows ramps to sit flush with the ground for smooth loading of barrels, drums and pallets. Siderails allow the scale to weigh pallets or other large items that may exceed the platform dimensions.

### **RoughDeck QC-X**

The base of the RoughDeck QC-X is composed of solid, stainless steel, vertical plates—providing superior protection against bacteria and mold growth. The rugged design incorporates 304 stainless steel construction and four welded-seal load cells with PTFE cable for steam cleaning and washdown areas. The RoughDeck QC-X is designed to create ideal cleaning conditions for strict sanitation requirements.

### **RoughDeck QC**

For food, chemical and other demanding washdown applications, the RoughDeck QC is the weighing solution for efficiency and safety in hostile environments. The exclusive gas-shock design offers easy operator lifting and closing.

### **AutoLift HE**

With its own pneumatic lifting arm, the low-profile AutoLift HE floor scale takes efficiency and safety further by providing hands-free access for washdown demands. The remote, stainless steel NEMA 4X junction box can be remotely mounted up to three meters from the scale, keeping sensitive electronics far from damaging chemicals and moisture.

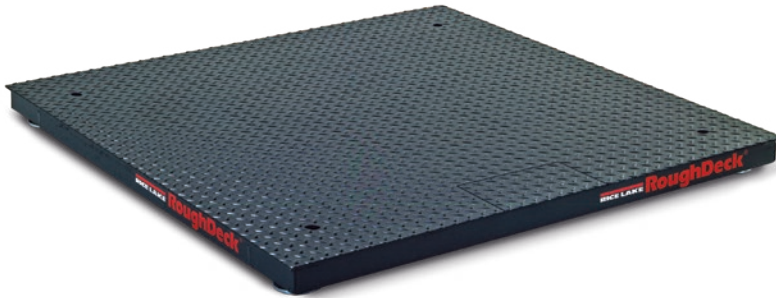
# RoughDeck® HP

High Performance Low-Profile Floor Scale

## Specifications

### Warranty:

RoughDeck HP weldment five-year limited, load cells two-year limited, all other components one-year limited warranty



## Standard Features

- Heavy duty industrial design
- Structural steel channel frame
- Four RL35N nickel-plated, IP66, OIML C3 shear beam load cells
- 6m SURVIVOR® EL147HE hostile environment load cell cable to connect junction box to indicator
- Top-access junction box
- Rugged diamond safety treadplate deck
- Four adjustable stainless steel leveling feet
- Threaded eyebolt holes for easy lifting

## Approvals



Measurement  
Canada  
Approved



Additional models are available with the approvals shown here  
Please consult the factory for part numbers.

## Part Number/Price

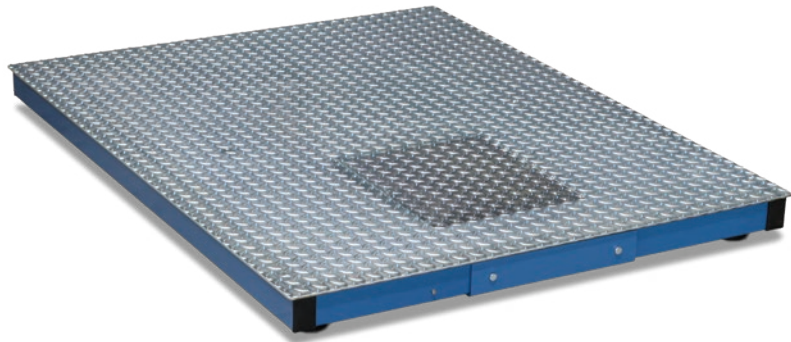
Part #	Size (W x L x H)	Capacity x Readability	Price
<b>With Quick Connector</b>			
162706	1.500 x 1.500 x 108 mm	1.500 kg x 500 g	€1.843,00
162707	1.500 x 1.500 x 108 mm	3.000 kg x 1.000 g	€1.843,00
162708	1.500 x 1.500 x 108 mm	6.000 kg x 2.000 g	€2.185,00
162709	1.500 x 1.250 x 108 mm	1.500 kg x 500 g	€1.672,00
162710	1.500 x 1.250 x 108 mm	3.000 kg x 1.000 g	€1.672,00
162711	1.500 x 1.250 x 108 mm	6.000 kg x 2.000 g	€1.957,00
162712	1.250 x 1.250 x 108 mm	1.500 kg x 500 g	€1.530,00
162713	1.250 x 1.250 x 108 mm	3.000 kg x 1.000 g	€1.530,00
162714	1.250 x 1.250 x 108 mm	6.000 kg x 2.000 g	€1.801,00

## Options/Accessories

Part #	Description	Price
19352	RoughDeck floor stand for indicator, 920 mm high, mild steel	€224,00
126384	RoughDeck floor stand for indicator, 1.220 mm high, mild steel	€247,00
N/A	Installation, testing, configuration and verification	Consult factory

## Specifications

**Warranty:**  
Two-year limited warranty



### Standard Features

- IP68 stainless steel shear beam, OIML C3, load cells
- Heavy duty industrial design with powder coat finish on lower frame
- Removable galvanized steel deck
- 5 m load cell cable to connect scale to indicator
- Top-access IP67 junction box
- Four adjustable stainless steel leveling feet

### Approvals



### Part Number/Price

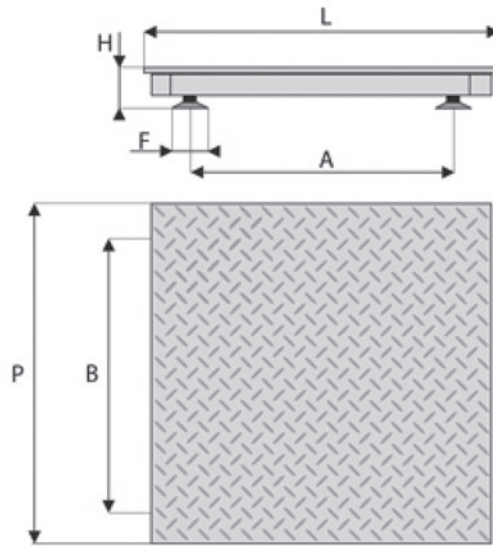
Part #	Size (W x L x H)	Capacity x Readability	Price
185956	1.000 x 1.000 x 90 mm	300 kg x 100 g	€2.079,00
185957	1.000 x 1.000 x 90 mm	600 kg x 200 g	€2.079,00
185958	1.000 x 1.000 x 90 mm	1.500 kg x 500 g	€2.079,00
185959	1.000 x 1.250 x 90 mm	300 kg x 100 g	€2.189,00
185960	1.000 x 1.250 x 90 mm	600 kg x 200 g	€2.189,00
185961	1.000 x 1.250 x 90 mm	1.500 kg x 500 g	€2.189,00
185962	1.250 x 1.250 x 90 mm	300 kg x 100 g	€2.365,00
185963	1.250 x 1.250 x 90 mm	600 kg x 200 g	€2.365,00
185964	1.250 x 1.250 x 90 mm	1.500 kg x 500 g	€2.365,00
185965	1.250 x 1.250 x 90 mm	3.000 kg x 1.000 g	€2.365,00
185966	1.250 x 1.500 x 115 mm	600 kg x 200 g	€2.584,00
185967	1.250 x 1.500 x 115 mm	1.500 kg x 500 g	€2.584,00
185968	1.250 x 1.500 x 115 mm	3.000 kg x 1.000 g	€2.584,00
185969	1.250 x 1.500 x 115 mm	600 kg x 200 g	€2.738,00
185971	1.250 x 1.500 x 115 mm	1.500 kg x 500 g	€2.738,00
185972	1.250 x 1.500 x 115 mm	3.000 kg x 1.000 g	€2.738,00
185973	1.500 x 2.000 x 130 mm	600 kg x 200 g	€3.244,00
185974	1.500 x 2.000 x 130 mm	1.500 kg x 500 g	€3.244,00
185975	1.500 x 2.000 x 130 mm	3.000 kg x 1.000 g	€3.244,00
185976	1.500 x 2.000 x 150 mm	6.000 kg x 2.000 g	€4.168,00
185977	1.500 x 2.500 x 180 mm	3.000 kg x 1.000 g	€4.718,00
185978	1.500 x 2.500 x 180 mm	6.000 kg x 2.000 g	€4.718,00
185979	1.500 x 2.500 x 180 mm	10.000 kg x 5.000 g	€4.718,00
185980	2.000 x 2.500 x 180 mm	3.000 kg x 1.000 g	€5.608,00
185981	2.000 x 2.500 x 180 mm	6.000 kg x 2.000 g	€5.608,00
185982	2.000 x 2.500 x 180 mm	10.000 kg x 5.000 g	€5.608,00

# RL-MEF

Low-Profile Steel Floor Scale

## Options/Accessories

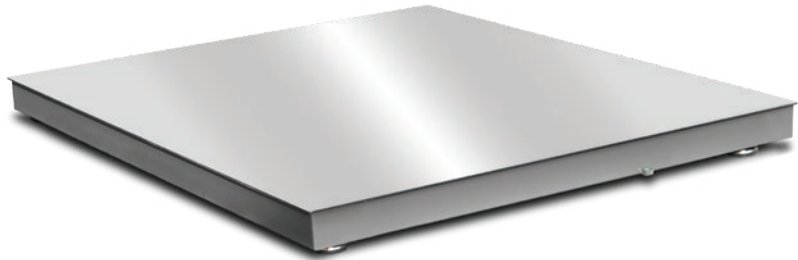
Part #	Description	Price
188204	Stainless steel column 450 x 450 mm, h=971 mm Ø 38 mm (designed to work with RLT-100, RLT-200, RLT-300 and RLT-400 indicators)	€278,00
188205	Stainless steel column 450 x 450 mm, h=971 mm Ø 38 mm. Painted steel base (designed to work with RLT-100, RLT-200, RLT-300 and RLT-400 indicators)	€212,00
188206	Stainless steel column 350 x 350 mm, h=750 mm. Painted steel base (designed to work with RLT-100, RLT-200, RLT-300 and RLT-400 indicators)	€106,00
188250	Painted steel ramp, 1.000 x 9.000 x 90 mm for PN 185956, PN 185957, PN 185958, PN 185959, PN 185960 and PN 185961	€462,00
188251	Painted steel ramp, 1.250 x 900 x 90 mm for PN 185962, PN 185963, PN 185964 and PN 185965	€515,00
188252	Painted steel ramp, 1.250 x 1.100 x 115 mm for PN 185966, PN 185967 and PN 185968	€594,00
188253	Painted steel ramp, 1.500 x 1.100 x 115 mm for PN 185969, PN 185971 and PN 185972	€621,00
188242	Kit of four stainless steel plates for fixing on the floor	€119,00
N/A	Installation, testing, configuration and verification.	Consult factory



Dimensions	L	P	H	A	B	F
185956 185957 185958	1.000	1.000	90	850	850	60
185959 185960 185961	1.000	1.250	90	850	1.100	60
185962 185963 185964 185965	1.250	1.250	90	1.070	1.070	60
185966 185967 185968	1.250	1.500	115	1.070	1.320	60
185969 185971 185972	1.500	1.500	115	1.320	1.320	60
185973 185974 185975	1.500	2.000	130	1.300	1.800	60
185976	1.500	2.000	150	1.300	1.800	60
185977 185978 185979	1.500	2.500	180	1.280	2.280	60
185980 185981 185982	2.000	2.500	180	1.780	2.280	60

**Specifications**

**Warranty:**  
Two-year limited warranty



**Standard Features**

- IP68 stainless steel shear beam, OIML C3, load cells
- Heavy duty industrial design
- Removable stainless steel deck except on PN 185989, PN 185990 and PN 185991
- 5 m load cell cable to connect scale to indicator
- Four adjustable stainless steel leveling feet

**Approvals**



**Part Number/Price**

Part #	Size (W x L x H)	Capacity x Readability	Price
185989	800 x 800 x 90 mm	300 kg x 100 g	€2.428,00
185990	800 x 800 x 90 mm	600 kg x 200 g	€2.428,00
185991	800 x 800 x 90 mm	1.500 kg x 500 g	€2.428,00
185992	1.000 x 1.000 x 90 mm	300 kg x 100 g	€2.837,00
185993	1.000 x 1.000 x 90 mm	600 kg x 200 g	€2.837,00
185994	1.000 x 1.000 x 90 mm	1.500 kg x 500 g	€2.837,00
185995	1.000 x 1.250 x 90 mm	300 kg x 100 g	€3.009,00
185996	1.000 x 1.250 x 90 mm	600 kg x 200 g	€3.009,00
185998	1.000 x 1.250 x 90 mm	1.500 kg x 500 g	€3.009,00
185999	1.250 x 1.250 x 90 mm	300 kg x 100 g	€3.537,00
186000	1.250 x 1.250 x 90 mm	600 kg x 200 g	€3.537,00
186001	1.250 x 1.250 x 90 mm	1.500 kg x 500 g	€3.537,00
186002	1.250 x 1.250 x 90 mm	3.000 kg x 1.000 g	€3.537,00
186003	1.250 x 1.500 x 115 mm	600 kg x 200 g	€3.800,00
186004	1.250 x 1.500 x 115 mm	1.500 kg x 500 g	€3.800,00
186005	1.250 x 1.500 x 115 mm	3.000 kg x 1.000 g	€3.800,00
186006	1.500 x 1.500 x 115 mm	600 kg x 200 g	€4.328,00
186007	1.500 x 1.500 x 115 mm	1.500 kg x 500 g	€4.328,00
186008	1.500 x 1.500 x 115 mm	3.000 kg x 1.000 g	€4.328,00
186009	1.500 x 2.000 x 130 mm	600 kg x 200 g	€8.577,00
186010	1.500 x 2.000 x 130 mm	1.500 kg x 500 g	€8.577,00
186012	1.500 x 2.000 x 130 mm	3.000 kg x 1.000 g	€8.577,00
186013	1.500 x 2.000 x 150 mm	6.000 kg x 2.000 g	€8.973,00
186014	1.500 x 2.500 x 180 mm	3.000 kg x 1.000 g	€23.223,00
186015	1.500 x 2.500 x 180 mm	6.000 kg x 2.000 g	€23.223,00
186016	1.500 x 2.500 x 180 mm	10.000 kg x 5.000 g	€23.223,00
186017	2.000 x 2.500 x 180 mm	3.000 kg x 1.000 g	€26.125,00
186018	2.000 x 2.500 x 180 mm	6.000 kg x 2.000 g	€26.125,00
186019	2.000 x 2.500 x 180 mm	10.000 kg x 5.000 g	€26.125,00

## RL-SEF

### Low-Profile Stainless Steel Floor Scale

#### Options/Accessories

Part #	Description	Price
188204	Stainless steel column 450 x 450 mm, h=917 mm Ø 38 mm (designed to work with RLT-100, RLT-200, RLT-300 and RLT-400 indicators)	€278,00
188205	Stainless steel column 450 x 450 mm, h=917 mm Ø 38 mm. Painted steel base (designed to work with RLT-100, RLT-200, RLT-300 and RLT-400 indicators)	€212,00
188206	Stainless steel column 350 x 350 mm, h=750 mm. Painted steel base (designed to work with RLT-100, RLT-200, RLT-300 and RLT-400 indicators)	€106,00
188254	Stainless steel ramp, 1.000 x 9.000 x 90 mm for PN 185992, PN 185993, PN 185994, PN 185995, PN 185996 and PN 185998	€924,00
188255	Stainless steel ramp, 1.250 x 900 x 90 mm for PN 185999, PN 186000, PN 186001 and PN 186002	€1.148,00
188256	Stainless steel ramp, 1.250 x 1.100 x 115 mm for PN 186003, PN 186004 and PN 186005	€1.254,00
188257	Stainless steel ramp, 1.500 x 1.100 x 115 mm for PN 186006, PN 186007 and PN 186008	€1.386,00
188242	Kit of four stainless steel plates for fixing on the floor	€119,00
N/A	Installation, testing, configuration and verification.	Consult factory

# Forklift/ Pallet Jack Scales

## TABLE OF CONTENTS

<b>RL-HPJ</b> .....	<b>112</b>
<i>Hand Pallet Jack Scale</i>	
<b>RL-MFLS</b> .....	<b>114</b>
<i>Mobile Forklift Scale</i>	
<b>RL-MWF</b> .....	<b>116</b>
<i>Lift Truck Mobile Weighing Forks</i>	

### Looking for products?

Please visit [www.ricelake.com/global](http://www.ricelake.com/global) for current product pricing or call our European office at +31 (0) 26 472 1319 to talk to an industry expert about our product offerings and customized solutions.

## RL-HPJ

### Hand Pallet Jack Scale



### Specifications

**Fork Dimensions:**

Powder coated: 1,150 mm x 550 mm x 85 mm  
 Stainless steel: 1,180 mm x 550 mm x 80 mm

**Weight:**

Approx. 125 kg

**Capacity and Resolution:**

Maximum lifting capacity 2.000 kg  
 2.000 kg x 1 kg (approved)  
 1.000 kg x 0,5 kg (approved)

**Accuracy:**

± 0,05% of the maximum capacity

### Standard Features

- Heavy-gauge steel and powder coated finish or stainless steel models available
- Steering wheels and double loading polyurethane rollers (painted model) or nylon wheels (stainless steel model)
- Four stainless steel IP68 load cells
- Weight indicator in IP65 stainless steel water-resistant enclosure, which is easy to clean and resistant to harsh and corrosive environments
- Large 25 mm LCD display high contrast digits, which are clearly visible even in poor lighting conditions, and waterproof membrane keyboard, with 17 functional keys
- Configuration, calibration and diagnostics from keyboard
- Rechargeable battery mounted on the pallet jack (painted model) or internal battery (stainless steel model)
- Operating time of about 80 hours of continuous use or one month with the typical non-continuous use, thanks to its programmable automatic power saving function
- Includes a 230VAC 50Hz battery charger
- Fitted with a thermal printer in the RL-HPJ-EP and RL-HPJ-ESSP models with date and time card
- Function modes:
  - o High resolution x 10 display
  - o Net/Gross
  - o Meter and litre counter function with conversion factor
  - o Weigh totalizing
  - o Formula weighing
  - o +/- checkweighing with quick target and threshold input
  - o Percentage weighing
  - o Percentage batching with programmable target
  - o Piece counter
  - o Hold

### APPROVALS

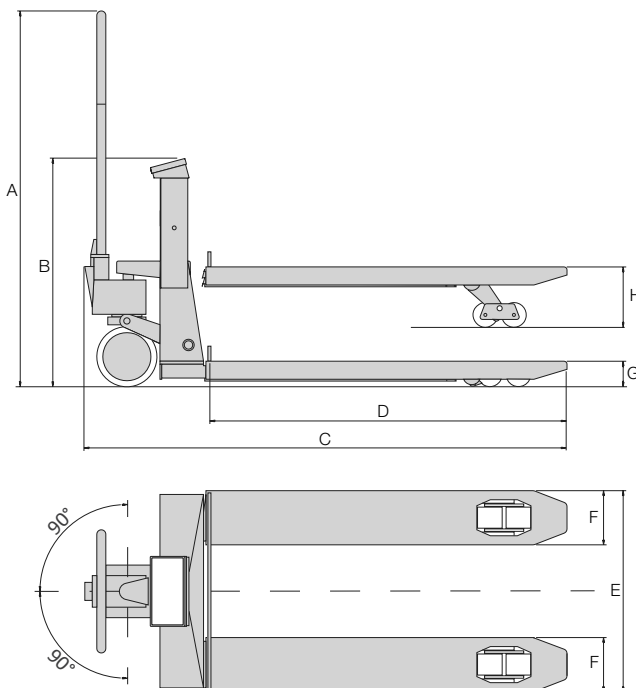


## Part Number/Price

Part #	Description	Est. Weight	Price
181824	Pallet Jack Scale RL-HPJ-E, powder coated pallet jack scale	125 kg	€1.994,00
181825	Pallet Jack Scale RL-HPJ-EP, Powder coated pallet jack scale with printer	125 kg	€2.269,00
188666	Pallet Jack Scale RL-HPJ-ESS, stainless steel pallet jack scale	135 kg	€6.365,00
188667	Pallet Jack Scale RL-HPJ-ESSP, stainless steel pallet jack scale with printer	135 kg	€6.667,00

## Options/Accessories

Part #	Description	Price
189086	Power supply, for Pb battery (to be used with 181824 and 181825)	€90,00
189085	Battery, rechargeable (to be used with 181824 and 181825)	€114,00
N/A	Installation, testing, configuration and verification	Consult
192480	Power supply, for NiMH (to be used with 188666 and 188667)	Consult
192482	Replacement paper rolls	Consult



Dimensions			
A	1.200 mm	E	550 mm
B	760 mm	F	180 mm
C	1.630 mm	G	85 mm (80mm SST)
D	1.150 mm (1.180mm SST)	H	200 mm

# RL-MFLS

Mobile Forklift Scale



Forks not included

The RL-MFLS is designed for indoor use to accurately weigh pallets throughout warehouse environments with Legal for Trade approved accuracy. Install on any forklift carriage class type Fem II using a DIN 15173 FEM holder plate.

RL-MFLS includes carriage plate scale assembly and battery-powered RLT-300 indicator with cabled connection. Includes tilt sensor for approval purposes.

## Standard Features

### Weighing Carriage:

- Two shear beam IP68 stainless steel load cells
- Hermetically sealed junction box

### Cab-Mounted RLT-300 Indicator:

- Six-digit backlit LCD display, h=25 mm
- ABS housing – IP68
- Waterproof keyboard functions
  - o Zero
  - o Semi automatic or preset tare
  - o Function mode
  - o Print or data transmission
  - o On/Off
- Forklift cab mounting bracket
- Rechargeable battery operation
  - o Provides power to indicator and carriage
  - o Operating time of approximately 40 hours continuous use on included rechargeable battery kit
  - o Programmable auto off feature
  - o Battery charger included
- Function modes
  - o High resolution x 10 display
  - o Net/Gross
  - o Meter and litre counter function with conversion factor
  - o Weigh totalizing
  - o Formula weighing
  - o +/- checkweighing with quick target and threshold input
  - o Percentage weighing
  - o Percentage batching with programmable target
  - o Piece counter
  - o Hold

## APPROVALS



## Specifications

### Carriage Class Type:

RL-MFLS 15A - Fem IIA

### Capacity and Resolution (Dual Range):

#### RL-MFLS 15A:

0 – 600 x 1 kg / 600 – 1.500 x 2 kg (approved)

0 – 600 x 0,2 kg / 600 – 1.500 x 0,5 kg

#### RL-MFLS 25A:

0 – 1.500 x 2 kg / 600 – 2.500 x 5 kg (approved)

0 – 1.500 x 0,5 kg / 1.500-2.500 x 1 kg

### Carriage Weight:

190 kg

### Accuracy:

0,05% of nominal capacity

### Max Horizontal Inclination Accuracy:

+/- 2 degrees

### Max Barycentric Shifting:

55 mm

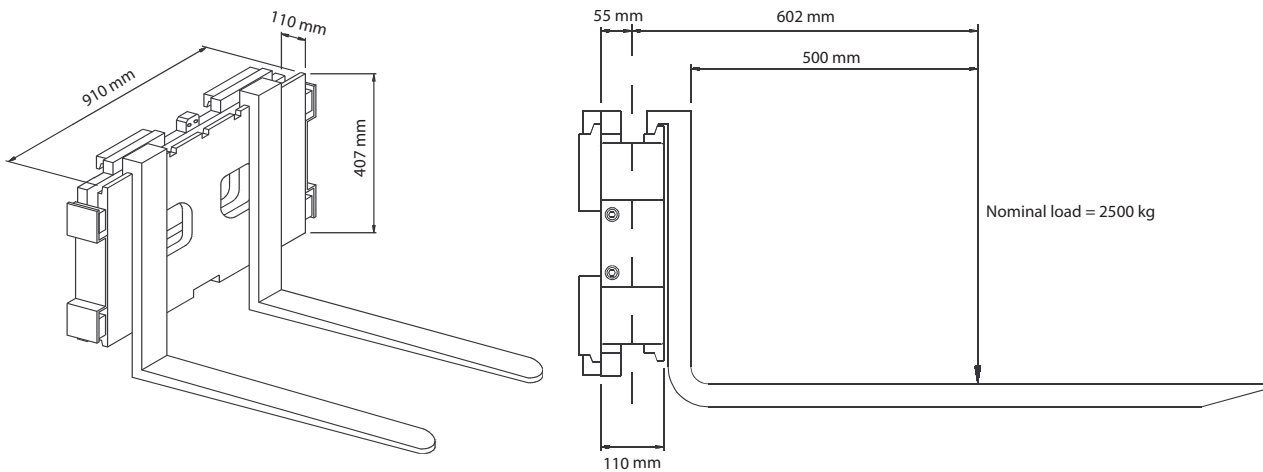
### Warranty:

1 year limited warranty

**Part Number/Price**

Part #	Description	Price
186151	RL-MFLS – 15A 1500 kg capacity kit (includes RLT-300 indicator, tilt sensor, mounting bracket and extension cable) Includes calibration	€5.113,00
192377	RL-MFLS – 25A 2500 kg capacity kit (includes RLT-300 indicator, tilt sensor, mounting bracket and extension cable) Includes calibration	€5.113,00
N/A	Approval	Consult

**Plate Type:** FEM 2  
**Thickness:** 110 mm  
**Barycentre:** 55 mm  
**Equipment Weight:** 190 kg  
**Nominal Capacity:** 2.500 kg with load's barycentre at 500 mm from the back of the forks



**Replacement Parts**

Part #	Description	Price
186156	Extension cable assembly	€253,00

# RL-MWF

Lift Truck Mobile Weighing Forks



The RL-MFW is designed for light duty indoor use to accurately weigh pallets throughout warehouse environments with Legal for Trade approved accuracy. Install on any forklift carriage class type Fem IIA or IIIA using a DIN 15173 FEM holder plate. Provides legal weight without derating lift truck capacity.

RL-MWF includes a pair of forks with rechargeable battery and RLT-300 weight indicator mounted on one fork to allow for ease of installation. Optional in-cab indicator provides access to weighing functionality, via Bluetooth®.

## Standard Features

### Weighing Forks:

- Four shear beam IP68 load cells
- Painted steel forks
- 0,05% of nominal capacity
- Includes inclinometer

### Integrated RLT-300 Indicator:

- Six-digit backlit LCD display, h=25 mm
- Steel housing
- Waterproof keyboard functions
  - o Zero
  - o Semi automatic or preset tare
  - o Function mode
  - o Print or data transmission
  - o On/Off
- Rechargeable battery operation:
  - o Provides power to fork mounted indicator and weighing forks
  - o IP 65
  - o Operating time of approximately 40 hours continuous use on included rechargeable battery kit
  - o Programmable auto off feature
  - o Battery charger included, 230VAC 50/60 Hz, approx. 8 hours charge time
- Function modes:
  - o High resolution x 10 display
  - o Net/Gross
  - o Meter and litre counter function with conversion factor
  - o Weigh totalizing
  - o Formula weighing
  - o +/- checkweighing with quick target and threshold input
  - o Percentage weighing
  - o Percentage batching with programmable target
  - o Piece counter
  - o Hold

## APPROVALS



## Specifications

### Carriage Class Type:

RL-MWF 1125 AM-2 – Fem IIA  
RL-MWF 1150 AM-2 – Fem IIIA

### Capacity and Resolution (Dual Range):

#### RL-MWF 1125 AM-2:

0 – 1.000 x 2 kg / 1.000 – 2.500 x 5 kg (approved)  
0 – 500 x 1 kg / 500 – 1.000 x 2 kg / 1.000 – 2.500 x 5 kg

#### RL-MWF 1150 AM-2:

0 – 2.500 x 5 kg / 2500 – 5.000 x 10 kg (approved)  
0 – 1.000 x 2 kg / 1.000 – 2.500 x 5 kg / 2.500 – 5.000 x 10 kg

### Accuracy:

0,05% of nominal capacity

### Fork Weight:

RL-MWF 1125 AM-2 – 75 kg each  
RL-MWF 1150 AM-2 – 90 kg each

### Max Horizontal Inclination Accuracy:

+/- 2 degrees

### Max Allowable Overload Protection:

200% of nominal capacity

### Warranty:

1 year limited warranty

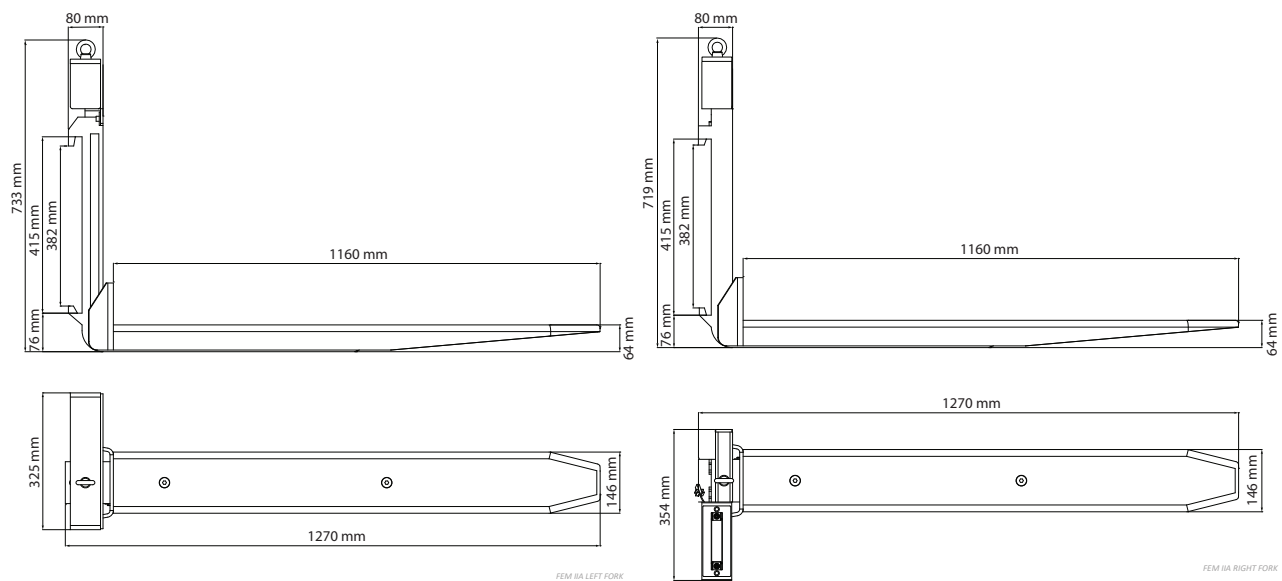
**Part Number/Price**

Part #	Description	Price
186143	RL-MWF 1125 AM-2 2500 kg capacity	€3.761,00
186144	RL-MWF 1150 AM-2 5000 kg capacity	€6.268,00
N/A	Approval	Consult

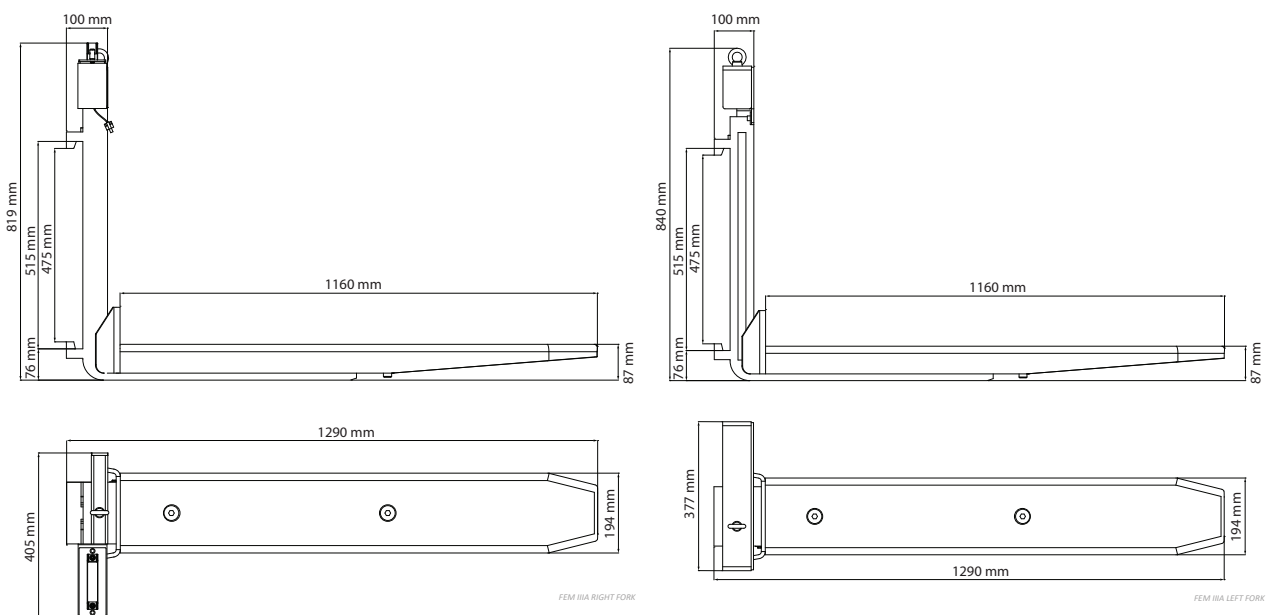
**Options/Accessories**

Part #	Description	Price
N/A	In-cab kit (display includes indicator, printer, mounting kit, USB storage and program)	Consult
186145	Optional spare battery kit	€297,00
192278	Battery charger	€146,00

**RL-MWF 1125 AM-2 2500 kg Capacity FEM IIA**



**RL-MWF 1150 AM-2 5000 kg Capacity FEM IIIA**





# Hanging Scales

## TABLE OF CONTENTS

**ON-SITE OS-10/OS-25/OS-45 ..... 120**

*On-site Suspended Scale*

### Looking for products?

Please visit [www.ricelake.com/global](http://www.ricelake.com/global) for current product pricing or call our European office at +31 (0) 26 472 1319 to talk to an industry expert about our product offerings and customized solutions.

RICE LAKE

## On-site OS-10/OS-25/OS-45

On-site Suspended Scale



### Standard Features

- Hold function
- Units of measure: kg/lb/lb-oz
- Adjustable automatic shutoff
- Ergonomic handheld design
- Battery operated, two AA batteries included
- Carrying case and top s-hook included
- Limited one-year warranty

### Part Number/Price

Part #	Model	Capacity	Est. Weight	Price
130292	OS-10	10 kg x 0,01 kg (22 lb x 0,02 lb) (22 lb x 1/4 oz)	0,57 kg	€81,00
130293	OS-25	25 kg x 0,02 kg (55 lb x 0,05 lb) (55 lb x 1/2 oz)	0,57 kg	€76,00
130294	OS-45	45 kg x 0,05 kg (99 lb x 0,1 lb) (99 lb x 1 oz)	0,57 kg	€76,00



# Hardware and Accessories

## TABLE OF CONTENTS

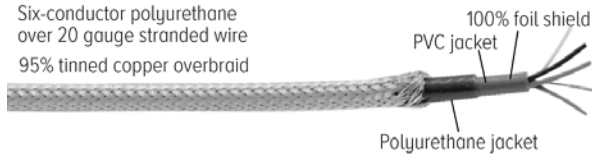
EL147RP PLUS .....	122
<i>Rodent Protection Cables</i>	
HOSTILE ENVIRONMENT	
LOAD CELL CABLE .....	123
STANDARD LOAD CELL CABLE .....	123
EL147IS HAZARDOUS ENVIRONMENT	
BLUE JACKET CABLE .....	124
EL144 COMMUNICATIONS CABLE .....	124
BCD CABLE .....	124
SURVIVOR® EL620HE	
HIGH TEMPERATURE CABLE .....	125
FIBER-OPTIC CABLE .....	125
SURVIVOR® CABLE ARMOR .....	125
EL148HE REPLACEMENT METTLER	
TOLEDO® POWER CELL® CABLE .....	126
CORD GRIP ASSEMBLIES .....	126
EL214 CABLE SPLICING KIT .....	127
EL214T CABLE SPLICING KIT .....	127
EL215 CABLE SPLICING KIT .....	127
FIVE-POSITION CONNECTORS, SHELL PLUGS, RECEPTACLES .....	128
SEVEN-POSITION CONNECTORS, SHELL PLUGS, RECEPTACLES .....	128
SIX-POSITION CONNECTORS, SHELL PLUGS, RECEPTACLES .....	128
T-STRIP MOLDING .....	129
T-GRIP MOLDING .....	129

### Looking for products?

Please visit [www.ricelake.com/global](http://www.ricelake.com/global) for current product pricing or call our European office at +31 (0) 26 472 1319 to talk to an industry expert about our product offerings and customized solutions.

# EL147RP Plus

Rodent Protection Cables

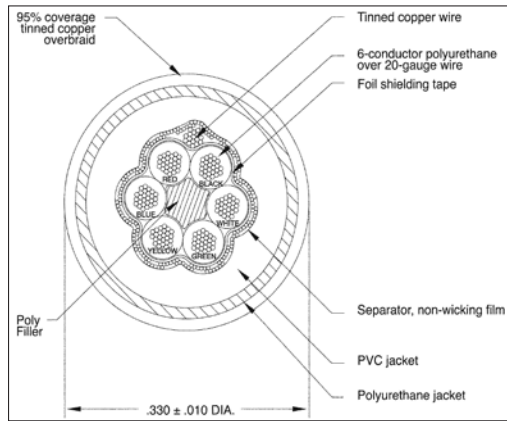


## Standard Features

- Tinned copper overbraid provides superior rodent and abrasion deterrent
- Enhanced EMI/RFI protection
- Six-conductor industry-standard color code
- Ideal for truck and railroad scales
- Diameter: 8,38 mm
- Temperature rating -30°C to 80°C
- Jacket coating enhanced with a chemical coating "NAW" that is distasteful to rodents

## Part Number/Price

Part#	Continuous Roll	Description	Price
31475	Custom length	Six-conductor hostile environment cable	€10,94
131964	30,5 m	Six-conductor hostile environment cable	€357,00
131965	76,2 m	Six-conductor hostile environment cable	€822,00
131966	152,4 m	Six-conductor hostile environment cable	€1.630,00
131967	304,8 m	Six-conductor hostile environment cable	€3.159,00

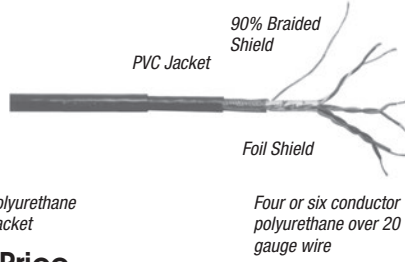


EL147RP Plus

# Hostile Environment Load Cell Cable

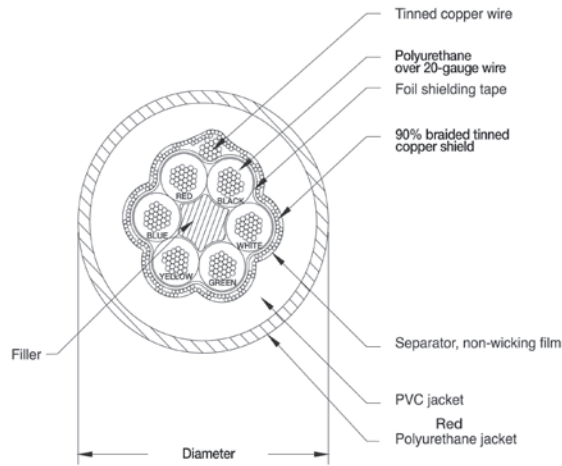
## Standard Features

- EL146HE—four-wire load cell cable
- EL147HE—six-wire load cell cable
- Designed for use in hostile environments
- Polyurethane jacketing provides superior chemical and abrasion resistance
- RFI and EMI protected with foil overbraid shield
- Unmatched durability, yet extremely flexible
- All conductors are industry-standard color coded
- Diameter—EL146HE: 7.1 mm; EL147HE: 8.1 mm
- The six-wire cable is best suited for longer runs where remote sense lines can be used
- Use the four-wire cable for repairing or extending existing cable
- Temperature rating: -30°C to 80°C
- 500 V rating



## Part Number/Price

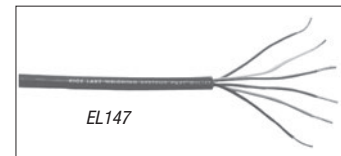
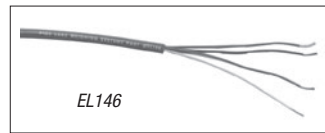
Part #	Continuous Roll	Description	Price
15510	30,5 m	Four-conductor hostile environment cable	€157,00
15511	76,2 m	Four-conductor hostile environment cable	€380,00
15512	152,4 m	Four-conductor hostile environment cable	€722,00
15513	304,8 m	Four-conductor hostile environment cable	€1.440,00
15494	Custom Length	Four-conductor hostile environment cable	€4,84
15520	30,5 m	Six-conductor hostile environment cable	€238,00
15521	76,2 m	Six-conductor hostile environment cable	€570,00
15522	152,4 m	Six-conductor hostile environment cable	€1.060,00
15523	304,8 m	Six-conductor hostile environment cable	€1.839,00
15496	Custom Length	Six-conductor hostile environment cable	€7,36



# Standard Load Cell Cable

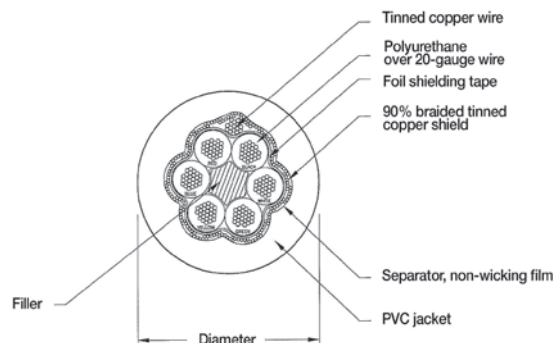
## Standard Features

- EL146—four-wire load cell cable
- EL147—six-wire load cell cable
- 20 AWG tinned copper wire stranded for flexibility
- Braided shielding is encased in red PVC
- All conductors are industry-standard color coded
- Diameter—EL146: 6.4 mm; EL147: 7.4 mm
- The six-wire cable is best suited for longer runs where remote sense lines can be used
- Use the four-wire cable for repairing or extending existing cable
- Temperature rating: -30°C to 80°C



## Part Number/Price

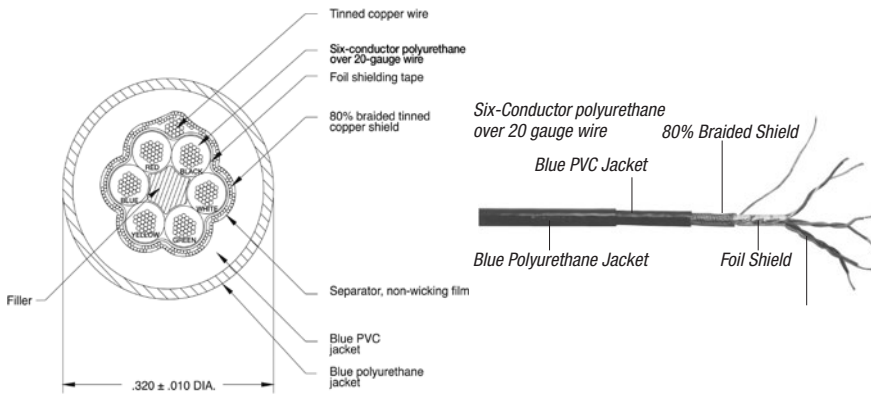
Part #	Continuous Roll	Description	Price
15505	30,5 m	Four-conductor cable	€129,00
15506	76,2 m	Four-conductor cable	€300,00
15507	152,4 m	Four-conductor cable	€585,00
15508	304,8 m	Four-conductor cable	€965,00
15493	Custom Length	Four-conductor cable	€3,90
15515	30,5 m	Six-conductor cable	€205,00
15516	76,2 m	Six-conductor cable	€452,00
15517	152,4 m	Six-conductor cable	€841,00
15518	304,8 m	Six-conductor cable	€1.639,00
15495	Custom Length	Six-conductor cable	€6,10



## APPROVALS



# EL147IS Hazardous Environment Blue Jacket Cable

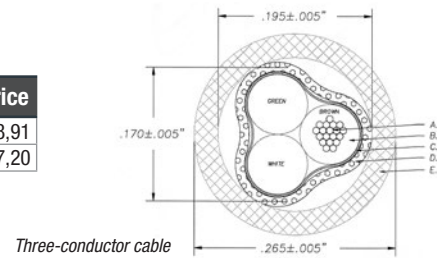


## Standard Features

- Designed for intrinsically safe applications (must be wired according to Factory Mutual System-approved diagram)
- Polyurethane over PVC double jacketing provides superior chemical and abrasion resistance
- Both foil and braided wire shields for added RFI and EMI protection
- Six-conductor is industry-standard color coded (Three-conductor also available)
- Diameter: 8,1 mm
- Suited for longer runs where remote sense lines can be used
- Temperature rating: -30°C to 80°C

## Part Number/Price

Part#	Description	Price
32817	EL147IS, blue jacket six-conductor	€8,91
72241	Blue jacket, shielded three-conductor	€7,20



# EL144 Communications Cable



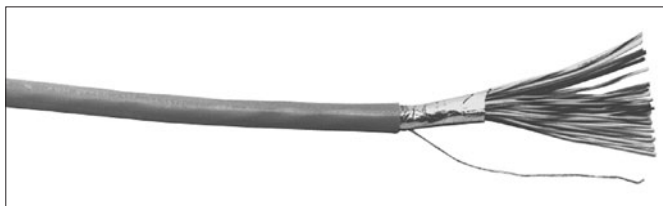
## Standard Features

- Two-conductor with bare ground
- RFI/EMI protected with foil shield
- 20 gauge conductors
- Perfect for RS-232, two-wire RS-485 and 20 mA current loop communications
- Diameter: 4,8 mm

## Part Number/Price

Part#	Description	Price
32803	EL144	€2,70
72691	EL11, 30,5 m	€81,00
72072	EL144, 152,4 m	€428,00
72693	EL144, 304,8 m	€775,00

# BCD Cable



## Standard Features

- Sheathed in gray PVC
- Mylar aluminum foil shield with stranded tinned copper drain wire
- Diameter: 9,5 mm

## Part Number/Price

Part#	Description	Price
15497	BCD, 24 AWG, 30-conductor	€65,97

# Fiber-Optic Cable

## Standard Features

- Duplex cable polyethylene black jacket material
- 4,4 + 0,10 mm outer diameter of duplex cable
- 2,2 + 0,007 mm single cable outer diameter
- Operating temperature: 0°C to 70°C



Color Code: Black-TXD, Blue-RXD

## Part Number/Price

Part #	Description	Price
78910	Custom length	€4,24
78026	30,5 m cable	€152,00
78027	60,96 m cable	€285,00
78028	91,44 m cable	€404,00
83052*	Fiber optic connector	€43,00
80892	Fiber optic cable cutter	€11,00
85548	Fiber optic hot knife	€50,00

\*Duplex fiber cable requires two connectors

\*Maximum guaranteed transmission distance when used with the 320IS/10 module is 73,2 m

# SURVIVOR® EL620HE High Temperature Cable

## Standard Features

- Multi-conductor overall foil and braid shield
- Suitable for temperatures from -40°C to 200°C
- Insulation thickness 0,25 mm
- Jacket thickness 0,43 mm
- 18 gauge, tinned copper conductors
- Six-wire or six-conductor
- FEP jacket, resistant to chemical corrosion and high temperature
- Aluminum-polyester shield with 85% tinned copper braid shield
- 150 V NEC 725 Class 2 classified for use in an airplenum non-conduit
- 6,1 mm diameter cable



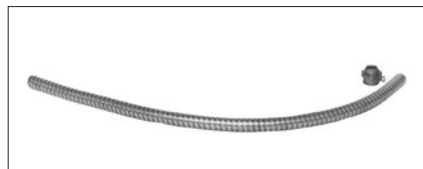
## Part Number/Price

Part #	Description	Price
15605	EL620HE	€30,79

# SURVIVOR® Cable Armor

## Standard Features

- Flexible all-metal protective armor
- Ideal for protecting load cell cable from mechanical abrasion or rodents
- Available in stainless steel and galvanized steel
- 12,7 mm internal diameter, 50,8 mm minimum bend radius
- Optional end fitting with 12,7 mm male pipe thread



## Part Number/Price

Part #	Description	Price
17808	Galvanized steel	€11,11
17806	Stainless steel	€13,41
17807	Optional end fitting	€2,40

# EL148HE Replacement Mettler Toledo® Power Cell® Cable



## Standard Features

- 100% stainless steel military connector-electro deposited nickel plating with stainless banding and epoxy heat-shrink strain relief
- Stainless steel artic ring precision cut for improved connection
- Textured rubber boot for additional grip
- Standard Mettler Toledo color code
- Custom lengths available including standard lengths listed below cables

## Part Number/Price

Part#	Cable Length Each	Price
100268	2,4 m	€347,00
101102	3,7 m	€357,00
104164	4,6 m	€341,00
100269	7,9 m	€376,00
100270	10,7 m	€395,00

## Cord Grip Assemblies

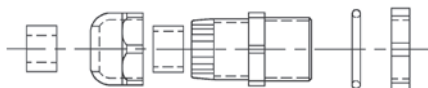


## Standard Features

- Assemblies include cord grip, locknut, O-ring seal, gray and black reducer glands
- Fittings are made of weather- and corrosion-resistant nylon

## Part Number/Price

Part #	Thread	Panel Hole Diameter	Regular (Black)	Reducer (Gray)	Price
<b>Gland Cable Ranges</b>					
15669	PCN9	15.9 mm	4.0 mm-8.0 mm	3.0 mm-6.0 mm	€4,80
15670	3/8 NPT	17.4 mm	4.0 mm-8.0 mm	3.0 mm-6.0 mm	€4,30
15671	1/2 NPT	21.4mm	6.0 mm-12.0 mm	5.1 mm-9.0mm	€5,00



## EL214 Cable Splicing Kit

### Specifications

**Dimensions:**

(W x H x D) 76,2 mm x 25,4 mm x 38,1 mm

**Mounting Centers:**

63,5 mm

**Number of Connections:**

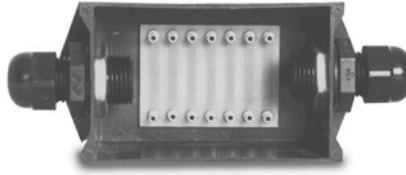
Seven

**Cable Diameter:**

4,7 mm-7,9 mm

**Cure Time For Potting:**

Epoxy-polyamide resin cures in two hours at 23°C



### Standard Features

- Designed for a complete, professional transducer cable splice
- Prevents moisture from entering the load cell through the cable connector
- Each kit contains a high-impact plastic splicing box, liquid-tight cable fittings, circuit card, PTFE sleeving, pre-measured potting compound and complete instructions

### Part Number/Price

Part #	Description	Price
15485	EL214	€129,00

## EL214T Cable Splicing Kit

### Specifications

**Dimensions:**

(W x H x D) 76,2 mm x 25,4 mm x 38,1 mm

**Mounting Centers:**

63,5 mm

**Number of Connections:**

Seven

**Cable Diameter:**

6,9 mm-12,2 mm

**Cure Time For Potting:**

Epoxy-polyamide resin cures in two hours at 23°C



### Standard Features

- Designed to accommodate cables larger than the EL214; all other dimensions and performance features are the same

### Part Number/Price

Part #	Description	Price
15486	EL214T	€138,00

### Specifications

**Dimensions:**

(W x L) 34,9 mm x 152,4 mm

**Number of Connections:**

Seven

**Cable Diameter:**

Up to 19,1 mm

**Cure Time For Potting:**

Two hours at 21°C



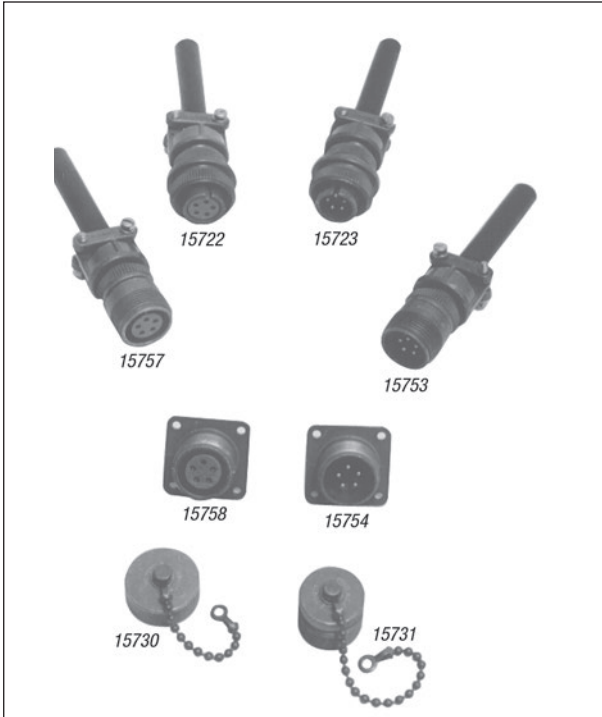
### Standard Features

- Designed for use in weather-exposed or direct-burial locations
- Each kit contains plastic splicing tube, circuit board, insulating resin and instructions

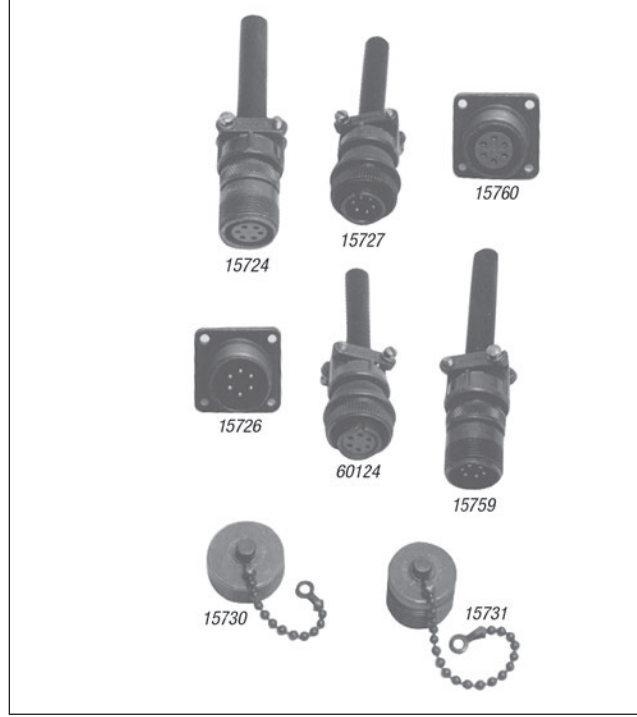
### Part Number/Price

Part #	Description	Price
15612	EL215	€105,00

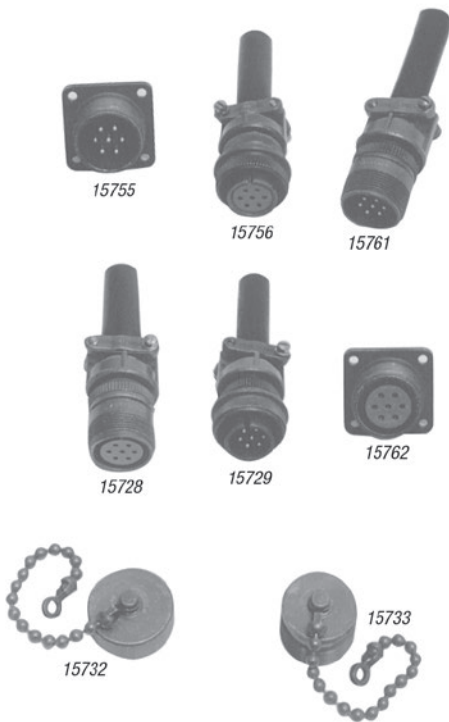
## Five-Position Connectors, Shell Plugs, Receptacles



## Six-Position Connectors, Shell Plugs, Receptacles



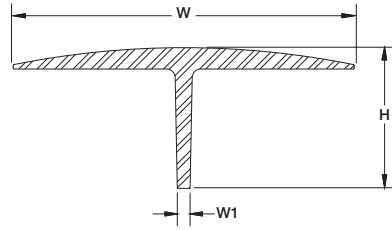
## Seven-Position Connectors, Shell Plugs, Receptacles



### Part Number/Price

Part #	Description	Price
15753	Five-Pin, external thread	€31,00
15722	Five-socket, internal thread	€32,00
15723	Five-Pin, internal thread	€31,00
15757	Five-socket, external thread	€36,00
15754	Five-Pin chassis mount, external thread	€36,00
15758	Five-socket chassis mount, external thread	€22,00
15730	Dust cap for ext. thread five-position connector	€14,00
15731	Dust cap for int. thread five-position connector	€19,00
15759	Six-Pin, external thread, male	€31,00
60124	Six-socket, internal thread connector, female fits Toledo load cells, Condec indicators	€26,00
15727	Six-Pin, internal thread, male	€30,00
15724	Six-socket, external thread	€34,00
15726	Six-Pin chassis mount, external thread	€23,00
15760	Six-socket chassis mount, external thread	€22,00
15730	Dust cap for ext. thread six-position connector	€14,00
15731	Dust cap for int. thread six-position connector	€19,00
15761	Seven-Pin, external thread	€32,00
15756	Seven-socket, internal thread	€34,00
15729	Seven-Pin, internal thread	€34,00
15728	Seven-socket, external thread	€34,00
15755	Seven-Pin chassis mount, external thread	€23,00
15762	Seven-socket chassis mount, external thread	€26,00
15732	Dust cap for ext. thread seven-position connector	€19,00
15733	Dust cap for int. thread seven-position connector	€30,00

## T-Grip Molding



### Standard Features

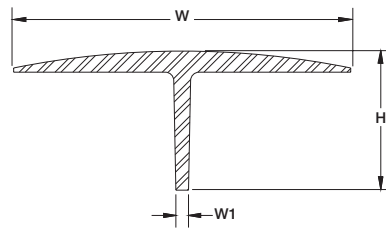
- Designed for use in truck scale applications to prevent spill-over into the pit
- Impact, tear, and weather-resistant EPDM rubber
- Barbed web to hold molding in place
- Web thickness 5,6 mm
- Available by the meter-3,1 m, 3,4 m, 21,34 m, 24,4 m and 30,5 m lengths.
- Maximum continuous length is 137 m

### Part Number/Price

Part #	H	W	W1	Length	Price
18799	65,0 mm	146,1 mm	5,6 mm	Sold by the meter	€21,00
18800	65,0 mm	146,1 mm	5,6 mm	3,05 m	€69,00
18801	65,0 mm	146,1 mm	5,6 mm	3,35 m	€76,00
18802	65,0 mm	146,1 mm	5,6 mm	21,34 m	€452,00
33219	65,0 mm	146,1 mm	5,6 mm	24,4 m	€490,00
33222	65,0 mm	146,1 mm	5,6 mm	30,5 m	€618,00

Note: Maximum continuous length is 450 ft. Call for price and availability.

## T-Strip Molding



### Standard Features

- Designed for use in truck scale applications to prevent spill-over into the pit
- Impact, tear, and weather-resistant SBR rubber
- Web thickness 6,4 mm
- Available by the meter-3,1 m, 3,4 m, 21,34 m, 24,4 m and 30,5 m lengths. Maximum continuous length is 137 m

### Part Number/Price

Part #	H	W	W1	Length	Price
18736	50,8 mm	114,3 mm	6,4 mm	Sold by the meter	€19,15
18776	50,8 mm	114,3 mm	6,4 mm	3,05 m	€65,00
18797	50,8 mm	114,3 mm	6,4 mm	3,35 m	€71,00
18798	50,8 mm	114,3 mm	6,4 mm	21,34 m	€414,00
33223	50,8 mm	114,3 mm	6,4 mm	24,4 m	€461,00
33224	50,8 mm	114,3 mm	6,4 mm	30,5 m	€556,00

Note: Maximum continuous length is 137,2 m. Call for price and availability.



# Indicators / Controllers

## TABLE OF CONTENTS

<b>CW-90 AND CW-90X</b> .....	<b>132</b>	<b>GRAYHILL RELAYS AND RACKS</b> .....	<b>176</b>
<i>Checkweigher Indicator Only</i>		<b>882IS/882IS PLUS</b> .....	<b>178</b>
<b>480/480 PLUS LEGEND® SERIES</b> .....	<b>134</b>	<i>Intrinsically Safe Digital Weight Indicator</i>	
<i>Digital Weight Indicator</i>		<b>PROTOCOL CARDS</b>	
<b>482/482 PLUS LEGEND® SERIES</b> .....	<b>136</b>	<b>PROFIBUS® DP INTERFACE</b> .....	<b>180</b>
<i>Digital Weight Indicator</i>		<i>720i®/820i®/920i®</i>	
<b>680 SYNERGY SERIES</b> .....	<b>138</b>	<b>PROFINET IO INTERFACE</b> .....	<b>180</b>
<i>Digital Weight Indicator</i>		<i>920i®</i>	
<b>880/880 PLUS PERFORMANCE® SERIES</b> .....	<b>140</b>	<b>ETHERNET/IP® INTERFACE</b> .....	<b>181</b>
<i>Programmable Digital Weight Indicator/Controller</i>		<i>720i®/820i®/920i®</i>	
<b>920i® SERIES</b> .....	<b>143</b>	<b>ETHERNET TCP/IP INTERFACE</b> .....	<b>181</b>
<i>Programmable Weight Indicator/Controller</i>		<i>720i®/820i®/920i®</i>	
<b>1280 ENTERPRISE™ SERIES</b> .....	<b>148</b>	<b>PROFIBUS® DP INTERFACE</b> .....	<b>182</b>
<i>Programmable Color Touchscreen Weight Indicator/Controller</i>		<i>880/1280™</i>	
<b>920i® USER PROGRAMS</b> .....	<b>153</b>	<b>PROFINET® INTERFACE</b> .....	<b>182</b>
<b>920i® FLEXWEIGH SYSTEMS</b> .....	<b>154</b>	<i>880/1280™</i>	
<i>Fillers/Batchers</i>		<b>ETHERNET/IP® INTERFACE</b> .....	<b>183</b>
<b>920i® FLEXWEIGH SYSTEMS</b> .....	<b>156</b>	<i>880/1280™</i>	
<i>Bulkweighers</i>		<b>MODBUS-TCP® INTERFACE</b> .....	<b>183</b>
<b>920i® FLEXWEIGH SYSTEMS</b> .....	<b>157</b>	<i>880/1280™</i>	
<i>Flow Rate Controllers</i>		<b>RF TRANSCEIVERS</b>	
<b>920i® FLEXWEIGH SYSTEMS</b> .....	<b>157</b>	<b>TRANSEND™</b> .....	<b>185</b>
<i>Hand Batching</i>		<i>Wireless Load Cell Interface System</i>	
<b>MSI-8000</b> .....	<b>159</b>	<b>INDUSTRIAL BROADBAND WIRELESS ETHERNET</b> .....	<b>188</b>
<i>RF Remote Display</i>		<b>INDUSTRIAL CONTROL PRODUCTS</b>	
<b>MSI-8000HD</b> .....	<b>160</b>	<b>TRIPP-LITE USB TO SERIAL CONVERTERS</b> .....	<b>189</b>
<i>Digital Weight Indicator</i>		<i>Serial Adapters</i>	
<b>MSI-8004HD</b> .....	<b>162</b>	<b>AMPHENOL® RJF 544</b> .....	<b>190</b>
<i>Indicator/RF LED Remote Display</i>		<i>Harsh Environment Ethernet Connection System</i>	
<b>882D BELT SCALE INTEGRATOR</b> .....	<b>164</b>	<b>ABLECABLE®</b> .....	<b>191</b>
<b>SCT-1100 AND SCT-2200</b> .....	<b>166</b>	<i>RS 232/USB Serial Smart Cable Direct, Keyboard Input Direct</i>	
<i>Signal Conditioning Transmitter/Indicator</i>		<b>GO-BETWEEN</b> .....	<b>192</b>
<b>SCT-3300</b> .....	<b>167</b>	<i>Data Capture and Storage</i>	
<i>Signal Conditioning Transmitter/Indicator</i>			
<b>SCT-100</b> .....	<b>170</b>		
<i>Digital Weight Indicator</i>			
<b>RLT-200</b> .....	<b>171</b>		
<i>Digital Weight Indicator</i>			
<b>RLT-300</b> .....	<b>172</b>		
<i>Digital Weight Indicator</i>			
<b>RLT-400</b> .....	<b>173</b>		
<i>Digital Weight Indicator</i>			
<b>COUNTERPART®</b> .....	<b>174</b>		
<i>Configurable Counting Indicator</i>			
<b>RELAYS AND RACKS</b> .....	<b>176</b>		

## Looking for products?

Please visit [www.ricelake.com/global](http://www.ricelake.com/global) for current product pricing or call our European office at +31 (0) 26 472 1319 to talk to an industry expert about our product offerings and customized solutions.

# CW-90 and CW-90X

Checkweigher Indicator Only



## Standard Features

- PreVent™ breather vent
- Storage for up to 50 IDs
- Unit of measure: kg, gm, lb, oz, lb/oz
- LED display, 20 mm, six-digit, 14-segment
- Two full duplex serial ports
- Configurable print formats
- Audit trail tracking
- Optional communications: Ethernet, USB or fiber optic
- Four configurable digital I/O
- Reflash memory to upgrade firmware
- Auto print capability

### CW-90

- Membrane keypad consisting of zero, units, print, tare, over, under, ID, target, 0-9, clear, decimal, enter, menu, power
- 304 stainless steel, IP66 rated
- Time and date

### CW-90X

- Piezo keypad consisting of zero, units, print, tare, over, under, ID, target, enter, menu, power
- 304 stainless steel, IP69K rated
- Battery-backed time and date

Additional models are available with the approvals shown here  
Please consult the factory for part numbers.



Measurement  
Canada  
Approved



## Approvals



## Specifications

### Power - AC:

Line voltages: 115/230 VAC  
Frequency: 50/60 Hz

### Power Consumption:

1,5 A at 115 VAC (8 W)  
0,75 A at 230 VAC (8 W)

### Excitation Voltage:

+5 VDC 8 x 350Ω or 16 x 700Ω load cells

### Analog Signal Input Range:

-0,5 mV/V - 4,5 mV/V

### Analog Signal Sensitivity:

0,3 μV/graduation minimum  
1,5 μV/graduation recommended

### A/D Sample Rate:

7,5 to 960 Hz software selectable

### Resolution:

Display: 100.000 graduations maximum

### System Linearity:

± 0,01% full scale

### Digital I/O:

Four channels on CPU board

### Circuit Protection:

RFI, EMI, ESD protection

### Status Annunciators:

Designators for percent, kg, gm, lb, oz, center of zero, G/B, N, T, PT, neg, motion

### Display:

Large 20 mm 14-segment, six-digit high-intensity red LED display

### Keys/Buttons:

CW-90: Membrane keypad, 23 keys with international symbols  
CW-90X: Piezo keypad, 11 keys with international symbols

### Temperature Range:

Certified: -10°C to 40°C

### Rating/Material:

CW-90: IP66, stainless steel  
CW-90X: IP69K, stainless steel

### Warranty:

CW-90: Two-year limited warranty  
CW-90X: Three-year limited warranty

### Approvals:

CW-90: NTEP CC 08-092, CW-90X: NTEP CC 08-092,  
Class III/IIIL 10,0000  
Measurement Canada AM-5710  
OIML R76/2006-GBI-10.02  
EU Test Certificate GB-1385  
UL/cUL Listed  
CE marked

# CW-90 and CW-90X

Checkweigher Indicator Only

## CW-90 Part Number/Price

Part #	Description	Est. Weight	Price
105970	CW-90, 115 VAC	3 kg	€784,00
105971 <sup>††</sup>	CW-90, 230 VAC, CE marked/OIML approved	3 kg	€784,00
118888	CW-90, 230 VAC	3 kg	€784,00
171247	CW-90, 230 VAC	3 kg	€784,00

## CW-90X Part Number/Price

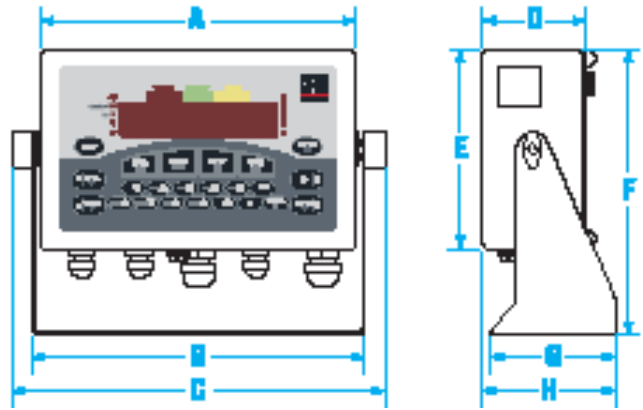
Part #	Description	Est. Weight	Price
105972	CW-90X, 115 VAC	3 kg	€827,00
105973 <sup>††</sup>	CW-90X, 230 VAC, CE marked/OIML approved	3 kg	€827,00
118889	CW-90X, 230 VAC	3 kg	€827,00
171248	CW-90X, 230 VAC	3 kg	€827,00



†† CEE 7/7 plug (Euro)

## CW-90 and CW90X Options/Accessories

Part #	Description	Price
77142	Ethernet TCP/IP	€399,00
108671	Wireless LAN card Wi-Fi 802.11 A/B	€542,00
93245	USB Port (PC connection only)	€176,00
95357	USB cable, Type A to mini-B, 1 m	€11,00
171968	Firmware download cable	€34,00
96736	Fiber optic board	€262,00
78026	Fiber optic, duplex cable 100 ft	€152,00
80892	Fiber optic cutter	€11,00
117358	WeighVault™ (requires part number 77142 or 108671)	€238,00



### Dimensions

A	241 mm	D	79 mm	G	95 mm
B	255 mm	E	152 mm	H	102 mm
C	285 mm	F	218 mm		

# 480/480 Plus Legend™ Series

Digital Weight Indicator



480 Plus

## Standard Features

- LED display, 20 mm, six-digit, seven-segment
- Time and date, battery-backed
- Local/remote operation
- Numeric keypad (480 Plus)
- Keyed entries for setpoint values (480 Plus)
- Two independent serial ports, RS-232 and 20 mA
- NEMA Type 4X/IP66 stainless steel washdown enclosure
- Programmable ticket formats for gross, net, accumulator and setpoints
- Five continuous stream formats
- Adapter filter or rolling average filter
- Operator functions through menu for audit trail, preset tare, unit ID, accumulator, time and date, setpoints, communications and print formats
- Eight setpoints, sequenced batch engine
- Configurable with Revolution® software

## Options

- Analog output, 0-10 VDC, 0-20 mA, 4-20 mA, selection for 20% offset
- Relay output, two digital inputs, four dry contact relays (supports 2 boards)
- Ethernet TCP/IP and USB interface (requires cable)
- Battery, rechargeable lithium ion  
Power for 18 hours of battery life on one 350 ohm load  
Power-saving modes for sleep and wake-up threshold

## Approvals



Measurement  
Canada  
Approved



## Specifications

### Power:

Line voltages: 100-240 VAC  
Frequency: 50-60 Hz  
DC voltages: n/a  
Power Consumption: 8 W

### Excitation Voltage:

5 VDC, 8 x 350Ω or 16 x 700Ω load cells

### Analog Signal Input Range:

±7 mV/V

### Analog Signal Sensitivity:

0.1 μV/graduation minimum  
0.5 μV/graduation recommended

### A/D Sample Rate:

5, 10, 20, 40 Hz, software selectable

### Resolution:

Internal: 523.000 counts  
Display: 100.000 graduations

### System Linearity / PI Rating:

Within 0,01% of full scale

### Digital I/O:

RFI capacitor bypass and ESD suppressors

### Communication Ports:

Com 1: RS-232 full duplex  
Com 2: RS-232 full duplex or 20 mA simplex, continuous  
Both ports 1200, 2400, 4800, 9600, 19200, 38400  
baud seven or eight data bits, even, odd or no parity

### (Optional) Analog Output:

16-bit resolution, voltage output 0-10 VDC, current output 0-20 mA / 4-20 mA

### (Optional) Relay Board:

Two opto-isolated, 5 to 24 VDC, active high inputs.  
Two inputs (requires relay output option). Primary keys, pseudo functions, batching functions.  
(4) 30 VDC, 2 amp dry-contact relays

### (Optional) Ethernet and USB Board:

USB five-pin header for PC, printer or flash drive.  
Ethernet TCP/IP, RJ45 jack, server and client ports.

### Display:

LED display, 20 mm, six-digit, seven-segment

### Status Annunciators:

Gross, net, center of zero, stand still, lb, kg, tare, preset tare

### Keys/Buttons:

Flat membrane panel, embossed keys, tactile feel

### Temperature Range:

Certified: -10°C to 40°C  
Operating: -10°C to 50°C

### Weight:

3 kg

### Rating/Material:

Enclosure: NEMA Type 4X/IP66, heavy-gauge stainless steel

### Warranty:

Two-year limited warranty

### EMC Immunity:

EN 50082 Part 2 IEC EN 61000-4-2, 3, 4, 5, 6, 8, and 11

### Approvals:

OIML R76/2006-NL1-12.48,  
EU Test Certificate TC8322  
Accuracy Class III, 10,000d  
CE Marked  
Measurement Canada AM-5892,  
Accuracy Class III/IIIHD, 10,000d  
NTEP CC 12-123, Accuracy Class III/III, 10,000d  
UL/cUL Listed

## 480/480 Plus Legend™ Series

Digital Weight Indicator

### Part Number/Price: 480

Part #	Description	Est. Weight	Price
<b>480 90-264 VAC ††</b>			
126565	480 LED	4 kg	€651,00
130339	480 LED with analog output	4 kg	€993,00
130341	480 LED with relay output	4 kg	€832,00
164595	480 LED with USB/Ethernet	4 kg	€993,00

### Part Number/Price: 480 Plus

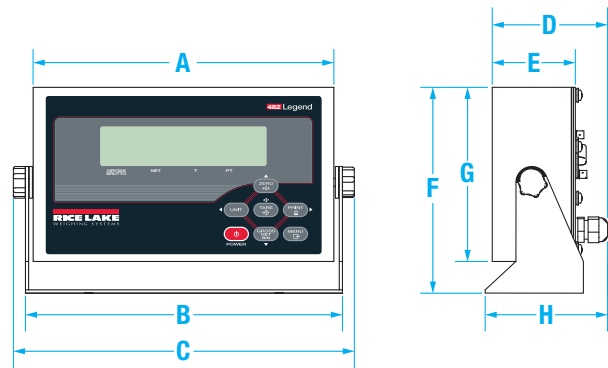
Part #	Description	Est. Weight	Price
<b>480 Plus 90-264 VAC ††</b>			
164591	480 Plus LED	4 kg	€651,00
164592	480 Plus LED with analog output	4 kg	€993,00
164593	480 Plus LED with relay output	4 kg	€832,00
164597	480 Plus LED with USB/Ethernet	4 kg	€993,00

 †† CEE 7/7 plug (Euro)

### Options/Accessories

Part #	Description	Price
131340	Mounting bracket for option boards	€27,00
131341	Analog output, 0-10 VDC, 4-20 mA (requires 131340)	€338,00
131342	Relay board, two digital inputs, four dry contact outputs (requires 131340)	€186,00
164600	USB and Ethernet TCP/IP (requires 131340)	€338,00
164604	Ethernet cable with cord grip, 1,8 m	€53,00
164602	USB cable with cord grip, type A female, 152 mm	€53,00
167707	USB cable with cord grip, type A male, 1,8 m	Consult
167708	USB cable with cord grip, type B male, 1,8 m	€53,00
165379	Flash update cable	€66,00
164650	Battery kit, rechargeable lithium ion	€214,00
151100	A/D sealing kit, used with audit trail tracking	€34,00
151099	Panel mount bezel (not NEMA Type rated)	€157,00
83564	Clear protective overlay (package of five)	€65,00
77925*	Revolution® scale software, CD	€34,00
119201	Installation manual	€26,00
<b>Primary Replacement Components</b>		
131345	Overlay, 480 six-key, red window	€62,00
159612	Overlay, 480 Plus with numeric keys, red window	€62,00
131346	Display board, LED	€138,00
131316	Power supply, 85-265 VAC	€55,00
131318	CPU board	€243,00
131319	A/D board	€186,00

\* Revolution can be downloaded for free at [www.ricelake.com](http://www.ricelake.com)



### Dimensions

A	241 mm	D	92 mm	G	152 mm
B	254 mm	E	70 mm	H	95 mm
C	279 mm	F	178 mm		

# 482/482 Plus Legend™ Series

Digital Weight Indicator



## Standard Features

- LCD backlit display, 20 mm, six-digit, seven-segment
- Time and date, battery-backed
- Local/remote operation
- Numeric keypad (482 Plus)
- Keyed entries for setpoint values (482 Plus)
- Two independent serial ports, RS-232 and 20 mA
- NEMA Type 4X/IP66 stainless steel washdown enclosure
- Programmable ticket formats for gross, net, accumulator and setpoints
- Five continuous stream formats
- Adaptive filter or rolling average filter
- Configurable with Revolution® software
- Operator functions through menu for audit trail, preset tare, unit ID, accumulator, time and date, setpoints, communications and print formats
- Eight setpoints, sequenced batch engine

## Options

- Analog output, 0-10 VDC, 0-20 mA, 4-20 mA, selection for 20% offset
- Relay output, two digital inputs, four dry contact relays (supports 2 boards)
- Ethernet TCP/IP and USB interface (requires cable)
- Battery, rechargeable lithium ion  
Power for 40 hours of battery life on one 350 ohm load  
Power-saving modes for sleep and wake-up threshold

## Approvals



Measurement  
Canada  
Approved



## Specifications

### Power:

Line voltages: 100-240 VAC  
Frequency: 50-60 Hz  
DC voltages: n/a  
Power Consumption: 8 W

### Excitation Voltage:

5 VDC, 8 x 350Ω or 16 x 700Ω load cells

### Analog Signal Input Range:

±7 mV/V

### Analog Signal Sensitivity:

0.1 μV/graduation minimum  
0.5 μV/graduation recommended

### A/D Sample Rate:

5, 10, 20, 40 Hz, software selectable

### Resolution:

Internal: 523,000 counts  
Display: 100,000 graduations

### System Linearity / PI Rating:

Within 0,01% of full scale

### Digital I/O:

RFI capacitor bypass and ESD suppressors

### Communication Ports:

Com 1: RS-232 full duplex  
Com 2: RS-232 full duplex or 20 mA simplex, continuous  
Both ports 1200, 2400, 4800, 9600, 19200, 38400  
baud seven or eight data bits, even, odd or no parity

### (Optional) Analog Output:

16-bit resolution, voltage output 0-10 VDC, current output 0-20 mA / 4-20 mA

### (Optional) Relay Board:

Two opto-isolated, 5 to 24 VDC, active high inputs.  
Two inputs (requires relay output option). Primary keys, pseudo functions, batching functions.  
(4) 30 VDC, 2 amp dry-contact relays

### (Optional) Ethernet and USB Board:

USB five-pin header for PC, printer or flash drive.  
Ethernet TCP/IP, RJ45 jack, server and client ports.

### Display:

LED display, 20 mm, six-digit, seven-segment

### Status Annunciators:

Gross, net, center of zero, stand still, lb, kg, tare, preset tare

### Keys/Buttons:

Flat membrane panel, embossed keys, tactile feel

### Temperature Range:

Certified: -10°C to 40°C  
Operating: -10°C to 50°C

### Weight:

3 kg

### Rating/Material:

Enclosure: NEMA Type 4X/IP66, heavy-gauge stainless steel

### Warranty:

Two-year limited warranty

### EMC Immunity:

EN 50082 Part 2 IEC EN 61000-4-2, 3, 4, 5, 6, 8, and 11

### Approvals:

OIML R76/2006-NL1-12.48,  
EU Test Certificate TC8322  
Accuracy Class III, 10,000d  
CE Marked  
Measurement Canada AM-5892,  
Accuracy Class III/IIHD, 10,000d  
NTEP CC 12-123, Accuracy Class III/IIIL, 10,000d  
UL/cUL Listed

# 482/482 Plus Legend™ Series

Digital Weight Indicator

## Part Number/Price: 482

Part #	Description	Est. Weight	Price
<b>482 90-264 VAC ††</b>			
164672	482 LCD	4 kg	€756,00
164583	482 LCD with internal battery	4 kg	€974,00

## Part Number/Price: 482 Plus

Part #	Description	Est. Weight	Price
<b>482 Plus 90-264 VAC ††</b>			
164673	482 Plus LCD	4 kg	€756,00
164586	482 Plus LCD with internal battery	4 kg	€974,00

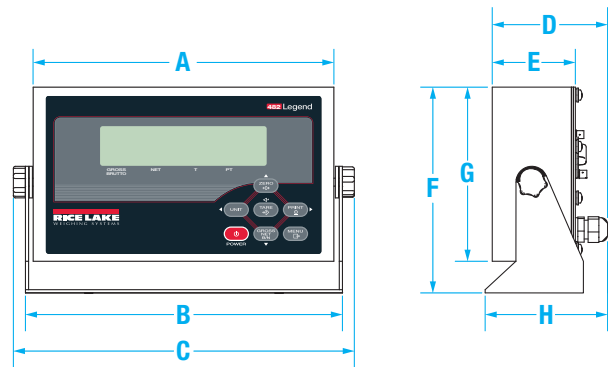


†† CEE 7/7 plug (Euro)

## Options/Accessories

Part #	Description	Price
131340	Mounting bracket for option boards	€27,00
131341	Analog output, 0-10 VDC, 4-20 mA (requires 131340)	€338,00
131342	Relay board, two digital inputs, four dry contact outputs (requires 131340)	€186,00
164600	USB and Ethernet TCP/IP (requires 131340)	€338,00
164604	Ethernet cable with cord grip, 1,8 m	€53,00
164602	USB cable with cord grip, type A female, 152 mm	€53,00
167707	USB cable with cord grip, type A male, 1,8 m	€53,00
167708	USB cable with cord grip, type B male, 1,8 m	€53,00
165379	Flash update cable	€66,00
164650	Battery kit, rechargeable lithium ion	€214,00
151100	A/D sealing kit, used with audit trail tracking	€34,00
151099	Panel mount bezel (not NEMA Type rated)	€157,00
83564	Clear protective overlay (package of five)	€65,00
77925*	Revolution® scale software, CD	€34,00
165124	Installation manual	€24,00
<b>Primary Replacement Components</b>		
161048	Overlay, 482 6-key, green window	€62,00
161049	Overlay, 482 Plus with numeric keys, green window	€62,00
153776	Display board, LCD	€129,00
131316	Power supply, 85-265 VAC	€55,00
131318	CPU board	€243,00
131319	A/D board	€186,00

\* Revolution can be downloaded for free at [www.ricelake.com](http://www.ricelake.com)



## Dimensions

A	241 mm	D	92 mm	G	152 mm
B	254 mm	E	70 mm	H	95 mm
C	279 mm	F	178 mm		

**NEW**  
**680 Synergy Series**  
 Digital Weight Indicator

Replacement for  
 IQ355/420 Plus



**Specifications**

- Power:**  
 Line voltages: 100-240 VAC  
 Frequency: 50-60 Hz
- Power consumption:**  
 ~2W (AC) with one 350 ohm load cell, 15W max
- Excitation Voltage:**  
 10 VDC ( $\pm 5$  VDC), 8 x 350 $\Omega$  or 16 x 700 $\Omega$  load cells
- Analog Output (optional):**  
 Type: Voltage or current output, 16-bit resolution
- Voltage Output:**  
 0-5 VDC, 0-10 VDC, +/- 5 VDC, +/- 10 VDC
- Voltage Load Resistance:**  
 1 K $\Omega$  minimum
- Current Output:**  
 0-20 mA, 0-24 mA, 4-20 mA
- Current Loop Resistance:**  
 1,000 $\Omega$  maximum
- Analog Signal Input Range:**  
 -0.5 mV/V to +7 mV/V
- Analog Signal Sensitivity:**  
 1  $\mu$ V/graduation recommended
- A/D Sample Rate:**  
 6.25-120 Hz, software selectable
- Resolution:**  
 Internal: 8,000,000 counts  
 Display: 1,000,000
- System Linearity / PI Rating:**  
 Within 0.01% full scale
- Digital I/O:**  
 Four configurable I/O - 5V logic
- Communication Ports:**  
 Two RS-232 full duplex  
 RS-485 full duplex  
 USB (device)  
 Ethernet (10/100)
- Status Annunciators:**  
 Eight LED annunciators
- Display:**  
 Seven 0.8 in tall, seven-segment digits
- Keys/Buttons:**  
 Flat membrane panel, tactile feel  
 (18 buttons plus ON/OFF)
- Temperature Range**  
 Legal: 14°F to 104°F (-10°C to 40°C)  
 Industrial: 14°F to 122°F (-10°C to 50°C)
- Weight:**  
 6.25 lb (3 kg)
- Rating/Material:**  
 Rating: IP69K  
 Material: AISI 304 Stainless Steel
- Warranty:**  
 Two-year limited warranty
- EMC Immunity:**  
 10 V/m
- Approvals:**  
 NTEP CC 12-123, Class III/IIIL, 10,000d  
 Measurement Canada AM-5892, Class III/IIHD, 10,000d  
 OIML  
 UL/cUL Listed  
 CE Marked

**Standard Features**

- Bright seven-digit, seven-segment LED display
- Battery backed time and date
- Full numeric keypad
- Three serial ports: two RS-232, one full duplex RS-485
- Numeric keyed entry allowed for tare and setpoint entry
- Formattable tickets
- Ethernet TCP/IP
- USB device
- Stainless steel IP69K enclosure
- Four onboard configurable digital I/O points, TTL logic

**Options**

- Analog output: 16-bit resolution, 0-10VDC, 0-20 mA, 4-20 mA

**Approvals**



# NEW 680 Synergy Series Digital Weight Indicator

## Part Number/Price

Part #	Description	Est. Weight	Price
193152 †	680 Plus indicator, LED display, 115-230VAC, US power cord	7 lb	€803,00
193153 ††	680 Plus indicator, LED display, 115-230VAC, EU power cord	7 lb	€803,00
196326 †††	680 Plus indicator, LED display, 115-230VAC, UK power cord	7 lb	€803,00
196327 ††††	680 Plus indicator, LED display, 115-230VAC, AUS power cord	7 lb	€803,00
<b>With Analog Output Card</b>			
195176 †	680 Plus indicator, LED display, 115-230VAC with analog output card, US power cord	7 lb	€1.088,00
195177 ††	680 Plus indicator, LED display, 115-230VAC with analog output card, EU power cord	7 lb	€1.088,00
196539 †††	680 Plus indicator, LED display, 115-230VAC with analog output card, UK power cord	7 lb	€1.088,00
196538 ††††	680 Plus indicator, LED display, 115-230VAC with analog output card, AUS power cord	7 lb	€1.088,00



† US plug (NA) - Type B



†† Euro Plug - Type E



††† BS1363 (UK) - Type G

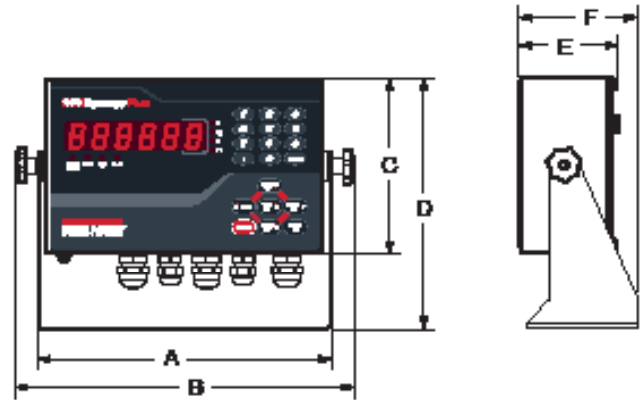


†††† AS 3112 (Australian) - Type I

## Options/Accessories

Part #	Description	Price
195084	Analog output option card	€309,00

To have your option factory installed, please specify when placing your order.



## Dimensions

A	10.02 in (254.5 mm)	D	8.57 in (217.6 mm)
B	11.58 in (294.1 mm)	E	3.40 in (86.3 mm)
C	6.00 in (152.4 mm)	E	4.05 in (26.67 mm)

# 880/880 Plus Performance™ Series

Programmable Digital Weight Indicator/Controller



880 Plus Universal



880 Panel Mount

Board information:  
Previous version green CPU board is 127 mm (5.0 in) wide  
Current version blue CPU board is 140 mm (5.5 in) wide

## Standard Features

- LED display, 14 mm, six-digit, 14-segment
- RS-232 or RS-485 serial port
- USB device port connects directly to a PC
- Ethernet TCP/IP polled or continuous
- AC or DC models
- Built-in DIN-rail clips on controller box (panel mount)
- Display and controller can be separated up to 75 m (panel mount)
- Hardware slot for one option card
- Operator functions through menu key for audit trail, preset tare, accumulator, time & date and setpoints
- Audit trail tracking for configuration and calibration changes. Password protection for user and configuration changes.
- 20 setpoints with latched batch engine or unlatched outputs
- Four onboard digital I/O channels
- Programmable ticket formats up to 1,000 characters for header text, gross, net, accumulator and setpoints
- Local/remote operation
- Multi-range or multi-interval weighing
- Filter settings for light, medium and heavy noise

### Options/Accessories

- Metrological hardware sealing kit
- Adapter plate for converting 310A and 520 panel mounts
- Panel mount kit for universal enclosure

## Specification Options

### Analog Output:

16-bit resolution, 0-10 VDC, 0-20 mA, 4-20 mA

### Relay Board:

Four dry contact relays; DC Max: 30 VDC at 3 amps; AC max: 250 VAC at 3 amps per contact

### EtherNet/IP Interface:

According to EN 50325-2

### Profinet Interface:

According to IEC 61784 (CPF-3/3)

### Modbus/TCP Interface:

Up to 8 bytes of I/O data, 100 Mbps full duplex Ethernet

### Profibus DP Interface:

According to EN 50170

### EtherCAT

According to IEEE 802.3

Additional models are available with the approvals shown below.  
Please consult the factory for part numbers.

## Specifications

### Power:

Line voltages: 100-240 VAC  
Frequency: 50-60 Hz  
DC voltages: 12-24 VDC  
Power consumption: AC: 15 W, DC: 20 W

### Excitation Voltage:

10 VDC, 16 x 350Ω or 32 x 700Ω load cells

### Analog Signal Input Range:

-45 mV to 45 mV

### Analog Signal Sensitivity:

0.3 μV/graduation minimum at 7.5 Hz;  
1.0 μV/graduation recommended

### A/D Sample Rate:

7.5 to 960 Hz, software selectable

### Resolution:

Internal: 8 million counts/8,000,000 23 bit  
Display: 999,999

### System Linearity:

± 0.01% full scale

### Digital I/O:

Four I/O onboard (max), primary keys, pseudo functions, batching functions

### Communication Ports:

RS-232 full duplex or RS-485 half duplex; USB micro A/B connector 2.0; Ethernet TCP/IP

### Status Annunciators:

Gross, net, center of zero, standstill, lb, kg, tare, preset tare, multi-range/interval 1/2/3

### Display:

LED, 0.56 in (14 mm), six-digit, 14-segment with decimal or comma

### Keys/Buttons:

Membrane panel, tactile feel

### Temperature Range:

Certified: 14°F to 104°F (-10°C to 40°C)  
Operating: 14°F to 122°F (-10°C to 50°C)

### Dimensions (W x H x D):

Panel: 6 in x 4 in x 4.95 in  
(152 mm x 102 mm x 126 mm)  
Universal: 9.87 in x 9.38 in x 4.33 in  
(251 mm x 238 mm x 110 mm)

### Weight:

Panel: 2.5 lb (1.2 kg);  
Universal: 12 lb (5.4 kg)

### Rating/Material:

Display bezel NEMA Type 4X, Type 12, and IP69K  
Panel display: stainless steel  
Controller box: aluminum  
Universal: stainless steel

### Warranty:

Two-year limited warranty

### EMC Immunity:

EN 50082 Part 2 IEC EN 61000-4-2, 3, 4, 5, 6, 8, and 11

### Approvals:

NTEP CC 13-080 Class III/IIIL, 10,000d  
Measurement Canada AM-5931C Class III/IIILD, 10,000d  
OIML R76/1992-GB1-04.02 Class III, 10,000d  
EU Test Certificate TC8463  
UL/cUL Listed (universal)  
UL/cUL Recognized (panel mount)  
CE Marked

## Approvals



Measurement  
Canada  
Approved



# 880/880 Plus Performance™ Series

Digital Weight Indicator/Controller

## Part Number/Price

Part #	Description	Est. Weight	Price
<b>880 Panel Mount AC Powered</b>			
151674*	Display only	1 kg	€357,00
177977*	115-230VAC, controller only	2 kg	€808,00
177976*	115-230VAC, without installed option	2 kg	€1.117,00
177979*	115-230VAC with analog output	2 kg	€1.449,00
177980*	115-230VAC with relay board	2 kg	€1.449,00
177982*	115-230VAC with EtherNet/IP	2 kg	€1.687,00
177983*	115-230VAC with ProfiNet	2 kg	€1.687,00
177984*	115-230VAC with Modbus/TCP	2 kg	€1.687,00
177985*	115-230VAC with Profibus DP	2 kg	€1.687,00
179155*	115-230VAC with EtherCAT	2 kg	€1.687,00
<b>880 Panel Mount DC Powered</b>			
177987*	12-24VDC, without installed option	2 kg	€1.212,00
177988*	12-24VDC controller only	2 kg	€903,00
<b>880 Plus Universal AC Powered</b>			
177990 ††	115-230VAC, without installed option	4 kg	€1.330,00
178497 ††	115-230VAC with analog	4 kg	€1.663,00
178497 ††	115-230VAC, with relay board	4 kg	€1.663,00
<b>880 Plus Universal DC Powered</b>			
178495	12-24VDC, without installed option	4 kg	€1.449,00

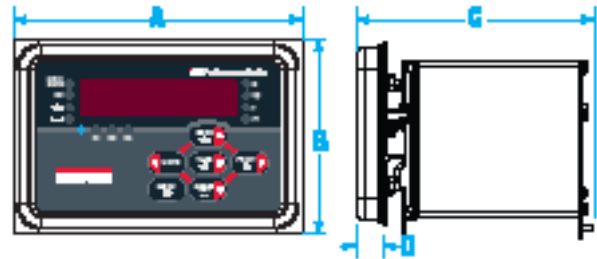
\*Power cable not included



†† CEE 7/7 plug (Euro)

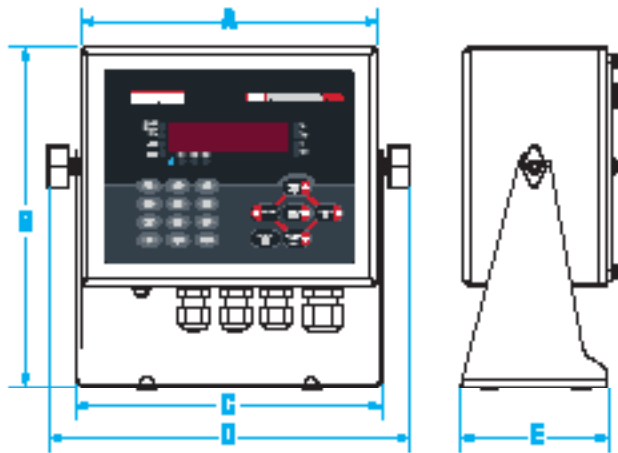
## Options/Accessories

Part #	Description	Price
<b>Option Cards (5.5 in CPU only)</b>		
179156	Analog output, 0-10VDC, 0-20 mA, 4-20 mA	€333,00
179157	Relay board, four dry contact outputs	€333,00
<b>Network Cards</b>		
179158	EtherCAT interface	€570,00
179159	EtherNet/IP® interface	€570,00
179160	ProfiNet® interface	€570,00
179161	Modbus/TCP® interface	€570,00
179163	Profibus DP interface	€570,00
<b>Hardware</b>		
153660	Metrological sealing kit	€11,00
158404	Adapter plate for IQ310 and 520 replacement	€70,00
101923	Relay box enclosure, does not include relay	€224,00
177850	Panel mount kit for universal enclosure	€186,00
15436	Power cord, pigtail with US NEMA 5-15 plug	€18,00
105382	Power cord, pigtail with Euro Plug CEE 7/7	€18,00
<b>Cables</b>		
152434	Cable, USB A to micro A shielded, 2 meters	€15,00
156817	Cable, Ethernet TCP/IP CAT.5E shielded RoHS compliant blue RJ45 connectors 1 meter	€34,00
156818	Cable, Ethernet TCP/IP CAT.5E shielded RoHS compliant blue RJ45 connectors 3 meters	€40,00
156821	Cable, Ethernet TCP/IP CAT.5E shielded RoHS compliant blue RJ45 connectors 5 meters	€48,00
<b>Manuals and Software</b>		
77925	Revolution™ scale software	€34,00
152240	Operators manual	€24,00
158387	Technical manual	€24,00



### 880 Panel Mount Dimensions

A	152 mm	C	126 mm
B	102 mm	D	14 mm BEZEL DEPTH



### 880 Universal Dimensions

A	206 mm	D	248 mm
B	235 mm	E	102 mm
C	213 mm		

## Options/Accessories

Part #	Description	Price
<b>Primary Component Parts (5.5 in CPU only)</b>		
131740	Overlay, panel mount, six-key	€66,00
163986	Overlay, universal with numeric keypad	€66,00
131598	Display board	€228,00
175603 *	Power supply, 100-240 VAC	€200,00
175604 *	Power supply, 12-24VDC	€300,00
175109 *	CPU board	€547,00

\* Design change in 2017 to 140 mm wide controller, see replacement parts catalog for the 127 mm wide boards.



## Specifications

### Power:

Line voltages: 230 VAC  
Frequency: 50 or 60 Hz  
Power consumption: 340 mA,  
maximum at 115 VAC (26 W)  
240 mA at 230 VAC (26 W)

### Excitation Voltage:

10 ± VDC, 16 x 350 Ω or 32 x 700 Ω load cells  
per A/D card

### Analog Signal Input Range:

-10 mV to +45 mV

### Analog Signal Sensitivity:

0,3 µV/graduation minimum at 7,5 Hz  
1,0 µV/graduation typical at 120 Hz  
4,0 µV/graduation typical at 960 Hz

### A/D Sample Rate:

7,5 to 960 Hz, software selectable

### Resolution:

Internal resolution: 8 million counts  
Weight display resolution: 9.999.999

### System Linearity:

± 0,01% full scale

### Digital I/O:

Six I/O channels on CPU board; optional  
24-channel I/O expansion boards available

### Circuit Protection:

RFI, EMI, ESD protection

### Serial Ports:

Four ports on CPU board support up to 115.200  
bps; optional dual-channel serial expansion  
boards available

Port 1: full duplex RS-232

Port 2: USB Type A and Type B connectors

Port 3: full duplex RS-232, 20 mA output

Port 4: full duplex RS-232, two-wire RS-485,  
20 mA output

### Display (W x H):

116 x 86 mm, 320 x 240 pixel VGA Liquid Crystal  
Display (LCD) module with adjustable contrast  
Transmissive display - standard  
Transflective display - option

### Keyboard:

27-key membrane panel, tactile feel

### Operating Temperature:

Legal: -10° C to 40° C  
Industrial: -10° C to 50° C

### Weight:

Universal enclosure: 4,3 kg  
Wall mount enclosure: 10,4 kg  
Panel mount enclosure: 3,9 kg  
Deep universal: 5,0 kg

### Rating/Material:

NEMA 4X/IP66, stainless steel

### Warranty:

Two-year limited warranty

### Approvals:

OIML UK 2658, 6.000/10.000  
CE marked



## Approvals



Board information:  
previous version CPU board is green in color  
current version CPU board is blue in color

## Standard Features

- Graphical, LCD display
- Selectable character sizes from 6 mm to 30 mm
- 60 configurable operator prompts
- Display up to four scale channels per screen with required Legal for Trade information
- 32 scale accumulators
- Ten programmable display screens
- Five softkeys with 10 user-defined keys or 14 preset functions per screen
- Millivolt calibration, 5-point linearization and geographical calibration
- NEMA Type 4X/IP66 stainless steel enclosure
- Selectable A/D measurement rate up to 960/second
- 100 setpoints, 30 configurable setpoint types
- Two slots for option cards
- 1,000-ID truck register for in/out weighing
- 64K user on-board NV RAM
- User programmable 128K flash memory
- Reflash memory to upgrade firmware
- Power for 16 (350 ohm) load cells per A/D board
- Local-remote indicators
- Multi range/interval
- Alibi storage
- Audit trail tracking
- Peak hold
- Rate of change

## USB Standard Features

- USB interface card on Port 2
- USB replaces RS-232 and PS/2 interface

### Connector Types:

- Standard Type A: 920i connects to keyboard, ASCII font label ticket printers and flash drives
- Standard Type B: 920i connects to PC

### USB Interface Functions:

- Supports weigh mode and configuration mode functions
- Supports upload of databases and .920 configuration file
- Supports download of databases, .920 configuration file, iRite, COD file and firmware file
- Sanity checks for command errors

### Flash Drives:

- Supports USB 2.0
- Create sub directories by unit ID and database name
- Use the root directory for generic files

### Optional Washdown Connectors page 146

- Sealed receptacle mounted externally
- Sealed cables
- Receptacle covers

Additional models are available with the approvals shown below.  
Please consult the factory for part numbers.



Measurement  
Canada  
Approved



# 920i® Series

Programmable Weight Indicator/Controller



## 920i Universal Part Number/Price

Part #	Description	USB	Est.Weight	Price
<b>Single-Channel</b>				
69522	230 VAC <sup>††</sup>		5 kg	€2.209,00
120074	230 VAC <sup>††</sup>	USB	5 kg	€2.304,00
107713 *	12-24 VDC, 25 watt		5 kg	€2.304,00
120080 *	12-24 VDC, 25 watt	USB	5 kg	€2.399,00
<b>Dual-Channel</b>				
69774	230 VAC <sup>††</sup>		5 kg	€2.304,00
120096	230 VAC <sup>††</sup>	USB	5 kg	€2.399,00
<b>No A/D Channel</b>				
77791	230 VAC <sup>††</sup>		5 kg	€2.067,00
120104	230 VAC <sup>††</sup>	USB	5 kg	€2.162,00

\*DC/DC converter installed option, not UL approved or CE marked



†† CEE 7/7 plug (Euro)

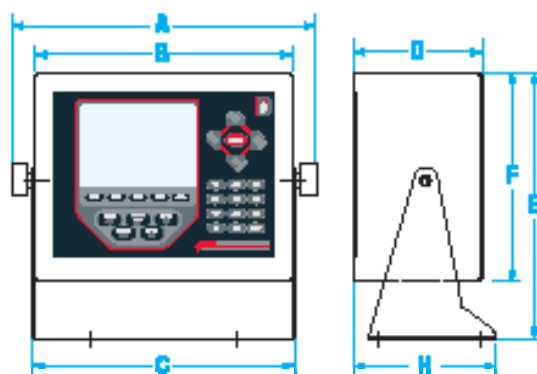
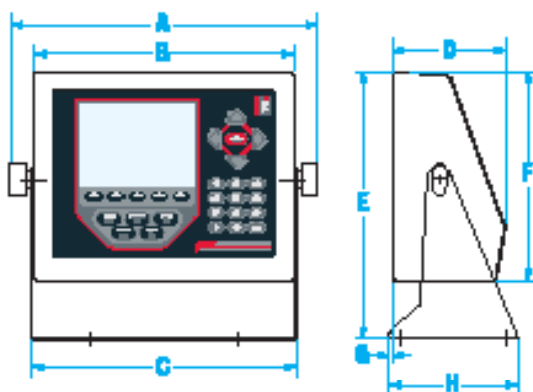
## 920i Deep Universal Part Number/Price

Part #	Description	USB	Est. Weight	Price
<b>Single-Channel</b>				
82459	230 VAC <sup>††</sup>		5 kg	€2.399,00
120075	230 VAC <sup>††</sup>	USB	5 kg	€2.494,00
107714 *	12-24 VDC, 25 watt		5 kg	€2.494,00
120081 *	12-24 VDC, 25 watt	USB	5 kg	€2.589,00
<b>Dual-Channel</b>				
82460	230 VAC <sup>††</sup>		5 kg	€2.494,00
120097	230 VAC <sup>††</sup>	USB	5 kg	€2.589,00
<b>No A/D Channel</b>				
93244	230 VAC <sup>††</sup>		5 kg	€2.257,00
120105	230 VAC <sup>††</sup>	USB	5 kg	€2.352,00

\*DC/DC converter installed option, not UL approved or CE marked



†† CEE 7/7 plug (Euro)



### 920i Universal Dimensions

A	318 mm	D	117 mm	G	3,5 mm
B	268 mm	E	276 mm	H	206 mm
C	277 mm	F	216 mm		

### 920i Deep Universal Dimensions

A	318 mm	D	216 mm	F	216 mm
B	273 mm	E	276 mm	H	149 mm
C	277 mm				



**920i Wall Mount Part Number/Price**

Part #	Description	USB	Est. Weight	Price
<b>Single-Channel</b>				
72133	230 VAC <sup>††</sup>		10 kg	€2.827,00
120078	230 VAC <sup>††</sup>	USB	10 kg	€2.922,00
107715 *	12-24 VDC, 25 watt		10 kg	€2.922,00
120082 *	12-24 VDC, 25 watt	USB	10 kg	€2.874,00
<b>Dual-Channel</b>				
72134	230 VAC <sup>††</sup>		10 kg	€2.922,00
120098	230 VAC <sup>††</sup>	USB	10 kg	€3.017,00
<b>No A/D Channel</b>				
77795	230 VAC <sup>††</sup>		10 kg	€2.684,00
120106	230 VAC <sup>††</sup>	USB	10 kg	€2.779,00

\*DC/DC converter installed option, not UL approved or CE marked

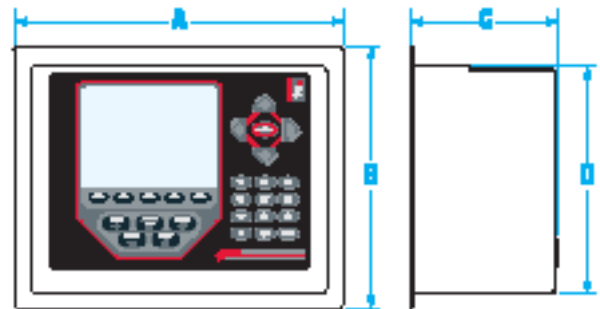
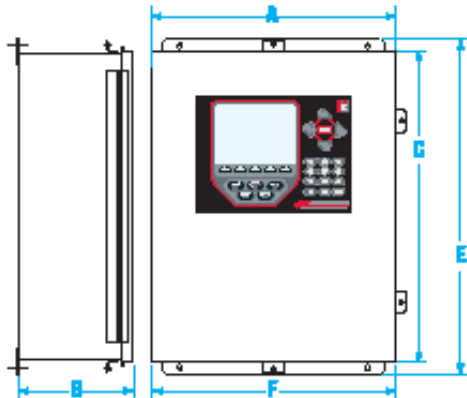
†† CEE 7/7 plug (Euro)

**920i Panel Mount Part Number/Price**

Part #	Description	USB	Est. Weight	Price
<b>Single-Channel</b>				
72137	230 VAC <sup>††</sup>		4 kg	€2.209,00
120079	230 VAC <sup>††</sup>	USB	4 kg	€2.304,00
107716 *	12-24 VDC, 25 watt		4 kg	€2.304,00
120083 *	12-24 VDC, 25 watt	USB	4 kg	€2.399,00
<b>Dual-Channel</b>				
72138	230 VAC <sup>††</sup>		4 kg	€2.304,00
120099	230 VAC <sup>††</sup>	USB	4 kg	€2.399,00
<b>No A/D Channel</b>				
77793	230 VAC <sup>††</sup>		4 kg	€2.067,00
120107	230 VAC <sup>††</sup>	USB	4 kg	€2.162,00

\*DC/DC converter installed option, not UL approved or CE marked

†† CEE 7/7 plug (Euro)



920i Wall Mount Dimensions			
A	363 mm	D	479 mm
B	279 mm	E	499 mm
C	462 mm	F	363 mm
		G	171 mm

920i Panel Mount Dimensions			
A	294 mm	C	132 mm
B	233 mm	D	202 mm

# 920i® Series

Programmable Weight Indicator/Controller

## Options/Accessories

Part #	Description	Price
<b>Option Cards</b>		
68532	A/D, single-channel	€300,00
68533	A/D, dual-channel	€452,00
67600	Memory, 1 MB NV RAM	€285,00
67601	Digital I/O, 24-channel TTL output	€285,00
67602	Analog output: selectable 0-10 V, 0-20 mA	€309,00
103138	Analog output, dual-channel 0-10 V, 0-20 mA	€523,00
67603	Pulse input, single-channel	€285,00
67604	Serial port card, dual-channel, RS-232 and RS-485	€333,00
87697	Analog input +/-10 VDC, 0-20 mA and thermocouple	€594,00
<b>Network Cards</b>		
65383	Ethernet Thin Server (external)	€281,00
71986	Ethernet TCP/IP 10/100 module (internal) page 181	€399,00
98057	Ethernet TCP/IP, wireless LAN module 802.11 b/g page 181	€642,00
87803	EtherNet/IP® page 181	€798,00
68540	Profibus® DP interface page 180	€665,00
187816	Profinet® I/O interface page 181	€798,00
<b>Expansion Cards</b>		
69782	Two-slot expansion board (wall mount)	€300,00
71743	Two-slot expansion board (panel mount and deep universal)	€300,00
179488	Two-slot expansion board (wall mount DC powered)	€300,00
180047	Two-slot expansion board (deep universal and panel mount, DC powered)	€300,00
69783	Six-slot expansion board (wall mount)	€399,00
<b>Hardware</b>		
83569	Clear protective overlay (package of 5)	€76,00
70056	Cable, DB9M to DB9F, Straight Cable	€38,00
99149	Keyboard, QWERTY 109-key USB, flexible, washable	€129,00
77788	Fiber optic board, installed in 920i	€190,00
19368	Start/stop controls without box, for use on wall mount	€395,00
19369	Start/stop switch with FRP box	€395,00
<b>Manuals and Software</b>		
69781	iRev™ scale software	€95,00
72809	920i interchange™ database software	€281,00
67887	Additional installation manual	€34,00
67888	Additional programming reference	€34,00
<b>Primary Component Parts</b>		
186272 ***	CPU board assembly for LED backlight, (blue color)	€950,00
186275 ***	Display board, LED back light, transmissive	€271,00
186276 ***	Display board, LED back light, transmissive	€271,00
67613	AC power supply, 25 watt for universal	€152,00
71333	AC power supply, 65 watt for deep, panel and wall mount	€176,00
132791	Power supply 12-24VDC, 25 watt	€186,00
66502	Switch panel membrane	€66,00

\*\*\*Design change in 2018 to LED backlight display. See replacement parts for CCFL backlight display and green CPU board Rev N or older.

The LED backlight display can be used with green CPU board Rev N or older by replacing the power supply cable. Universal 186464 (AC) 186464 (DC); Deep universal 186278 (AC) 187603 (DC); Panel 186278 (AC) 187603 (DC); Wall 186760 (AC) 188345 (DC); Two-slot expansion for wall 188716 (AC) 189724 (DC); Two-slot expansion panel for deep universal 188717 (AC) 189725 (DC); Six-slot expansion for wall 188774 (AC).

## Options/Accessories

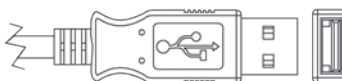
Part #	Description	Connector Type				Price
		Sealed		Un-sealed		
USB Cable Options		A	B	A	B	
<b>Note: Connector is a male plug</b>						
79074	Unsealed connectors USB-A to USB-B, 2 m cable			X	X	€34,00
124700	Sealed connectors, USB-A to USB-B, 3 m IP68 cable	X	X			€86,00
126477	Sealed connector USB-A to unsealed connector USB-A, 3 m IP68 cable	X		X		€86,00
124701	Sealed connector USB-A to unsealed connector USB-B, 3 m IP68 cable	X			X	€86,00
124702	Sealed connector USB-B to unsealed connector USB-A, 3 m IP68 cable		X	X		€86,00
124695	Panel plug 1.125 in diameter					€5,70
<b>USB Receptacles</b>						
<b>Note: Receptacle is a socket</b>						
		Sealed		Un-sealed		
126476	Sealed receptacle USB-A for wall mount, 0.5 m cable	X		X		€86,00
124703	Sealed receptacle USB-A to unsealed connector USB-B, 0.5 m cable	X			X	€86,00
124704	Sealed receptacle USB-B to unsealed connector USB-B, 0.5 m cable		X		X	€86,00
125998 *	Sealed receptacle USB-A to five-pin connector, 0.28 m cable (internal to 920i)	X				€86,00
125999 *	Sealed receptacle USB-B to five-pin connector, 0.28 m cable (internal to 920i)	X				€86,00
124694	Cover for sealed receptacles					€13,00
124689	Cover for flash driver mounts on sealed receptacle					€24,00
125077	Rice Lake USB flash drive, 1 GB					€18,00
<b>Ethernet Cables</b>						
		Sealed		Un-sealed		
124706	Sealed to sealed, 3 m cable	X				€86,00
124707	Sealed to unsealed connector, 3 m cable	X		X		€86,00
<b>Ethernet Receptacles</b>						
		Sealed		Un-sealed		
126353 *	RJ-45 receptacle sealed, 0.28 m internal to 920i (requires Ethernet TCP/IP option installed)	X				€86,00

\*These options require a milled back plate which has two cutouts. If ordering only one receptacle, a plug (PN 124695) is required for the second cutout. USB enclosure parts with cutout: PN 119891 (Universal) PN 115118 (Universal Deep) PN 126585 (Wall Mount)

Unsealed Connectors



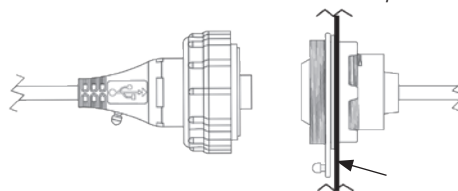
Type B



Type A

Sealed Connector

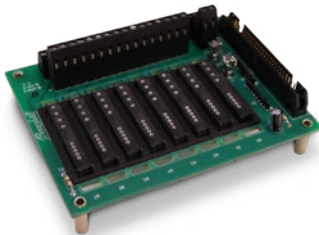
Sealed Receptacle



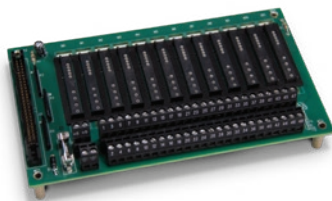
Backplate



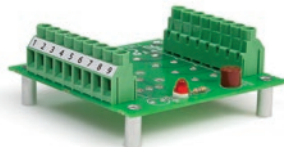
8-channel relay rack PN 52312



16-channel relay rack PN 52314



24-channel relay rack PN 52315



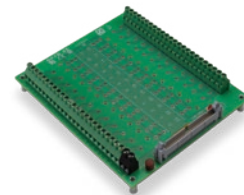
OPTO 22 G4 PN-15973



OPTO 22 G4 PN-45408



OPTO 22 16-channel relay rack



OPTO 22 24-channel relay rack

### Grayhill Relays and Racks

Part #	Description	Price
52332	Two-channel input relay, 2,5-28VDC	€43,00
52318	Two-channel input relay, 120 VAC	€43,00
52319	Two-channel input relay, 240 VAC	€43,00
52331	Two-channel input relay, 10-32 VDC	€43,00
52316	Two-channel output relay, 120-140 VAC at 2 amp	€58,00
52317	Two-channel output relay, 240-280 VAC at 7 amp	€62,00
71376	Two-channel output relay, 3-60 VDC at 1 amp	€60,00
71377	Two-channel output relay, 0-200 VDC/VAC at 1,5A/10W (dry contact)	€77,00
84698	Two-channel output relay, inductive load, 120-140 VAC at 2A	€60,00
84699	Two-channel output relay, inductive load, 240-280 VAC at 2A	€95,00
54215	Fuse, 3,15 amp, Grayhill	€3,80
52312	Eight-channel relay rack, panel mount and wall mount, requires 50-Pin flat or round ribbon cable - 4 slots	€147,00
52314	16-channel relay rack, panel mount and wall mount, requires 50-Pin flat or round ribbon cable - 8 slots	€271,00
52315	24-channel relay rack, panel mount and wall mount, requires 50-Pin flat or round ribbon cable - 12 slots	€437,00
46189	Jumper strap, 10 position for Grayhill	€4,80
108396	Digital input 5 VDC, 15-30 VAC/10-32 VDC	€34,00
108397	Digital output 5VDC, 3-60 VDC	€34,00
70780	Cable, 50-Pin flat ribbon for digital I/O, 24 in	€48,00
70779	Cable, 50-Pin round ribbon for digital I/O with cord grip, 60 in	€148,00
72442	Cable, 50-Pin round ribbon for digital I/O without cord grip, 60 in	€143,00
93577	Cable, 50-Pin flat ribbon for digital I/O, 31 in	Consult
94384	Cable, 50-Pin flat ribbon for digital I/O, 50 in	Consult

### OPTO 22 Relays and Racks

Part #	Description	Price
15969	G4IDC5 10-32VDC input relay module, white (N/O)	€36,00
15970	G40DC5R dry contact 100 VDC/1.5A output, red (N/O)	€36,00
22848	G40DC5R5 dry contact 100 VDC/1.5A output, red (N/C)	€36,00
15971	G40AC5 115 VAC output relay module, black (N/O)	€36,00
15972	G4IAC5 115 VAC input relay module, yellow (N/O)	€36,00
22847	G40AC5A5 115/230 VAC output relay module, black (N/C)	€36,00
36632	G40AC5A 115/230 VAC output relay module, black (N/O)	€34,00
36631	G4IAC5A 230 VAC input relay module, yellow (N/O)	€36,00
16478	Quencharc arc suppressor	€11,00
101923	FRP enclosure with Opto four-channel rack	€224,00
15973	Four-channel relay rack, 83 x 83 mm	€100,00
45408	Four-channel relay rack 155 x 30 mm	€151,00
33206	16-channel relay rack	Consult
33205	24-channel relay rack	Consult
99032	Adapter plate, for four-channel Opto rack 33490	€4,80
26834	Fuse, 1A 250V (for PN 15970 and PN 22848)	€7,20
21735	Fuse, 4A 250V (for PN 15971, PN 22847 and PN 36632)	€9,50

# 1280 Enterprise™ Series

Programmable Color Touchscreen Weight Indicator/Controller



## Standard Features

- Seven-inch, 800 x 480 pixel, graphical color display that adjusts for ambient light conditions
- Twelve-inch, 1280 x 800 pixel, graphical color display that adjusts for ambient light conditions
- Highly customizable graphical user interface
- Three different enclosure types: universal with tilt stand, panel mount and wall mount
- Resistive color touchscreen that can be used with gloves
- On-screen keyboard available during entry mode or use an external keyboard
- Multi-language operation and text entry
- Keypad for scale operations, numeric entry and navigation
- More than 150 built-in functions for programming
- Customize applications and data tables with iRite™ software
- Built-in web server for remote access, systems integration and data monitoring
- Up to eight scales supporting five scale types:
  - Analog load cell scales
  - Total scales
  - Serial scales
  - Program scales
  - iQube2 scales
- Multi-range/interval weighing functions
- Eight digital I/O for control and pulse count
- 100 setpoints, 18 configurable setpoint types
- 22 soft keys with 10 user-defined
- Two RS-232 and RS-485 serial ports
- USB, Ethernet TCP/IP, Wi-Fi Direct and Bluetooth® ports

## Options

- Six option slots that support:
  - A/D scale channels
  - Analog Input/Thermocouple
  - Digital input and outputs
  - Analog outputs
  - Serial ports
  - Four channel dry-contact relay
  - Various protocol interfaces

Additional models are available with the approvals shown below. Please consult the factory for part numbers.

## Approvals\*



\* Touch-only units pending approvals

## Specifications

### Power:

AC voltages: 100-240 VAC; 50-60 Hz  
DC voltages: 11-30 VDC  
Consumption: 60 W

### Excitation Voltage:

10 ± 0,5 VDC  
16 x 350Ω or 16 x 700Ω load cells per A/D card

### Analog Signal Input Range:

-60 mV to 60 mV

### Analog Signal Sensitivity:

0,3 μV/graduation minimum at 7,5 Hz–120 Hz  
1,0 μV/graduation recommended

### A/D Sample Rate:

7,5 to 960 Hz, software selectable

### Resolution:

Internal: 8 million counts/8.000.000  
Display: Seven digits/1.000.000

### System Linearity

± 0,01% full scale

### Digital I/O:

Eight I/O channels on CPU board  
Optional 24-channel I/O expansion boards

### Communication Ports:

Port 1 & 2: Full duplex RS-232 with CTS/RTS, RS-422/485  
Baud Rate: 1200 to 115200  
Port 3: USB 2.0 Device (Micro)  
Port 4: Bluetooth® SPP 2.1+EDR  
USB Host: (2) Type A Connectors max 500 mA  
Ethernet: Wired 10/100 Auto-MDX  
Ethernet: Wireless 802.11 b/g/n 2.4GHz

### Onboard:

Selectable filters: Three stage, Adaptive or Damping  
Embedded Linux® OS  
8 GB eMMC (system use)  
1 GB DDR3 RAM  
460 MB onboard database (SQLite) storage  
Up to 32 GB micro SD card (sold separately)

### Display:

178 mm, 800 x 480 pixel, graphical color TFT display 500 or 1000 NIT  
305 mm, 1280 x 800 pixel, graphical color TFT display 1500 NIT

### Keys/Buttons:

22-key membrane panel, tactile buttons, on-screen keyboard for text and numeric entry, USB port for flash drive, keyboard and printer

### Temperature Range:

Certified: -10°C to 40°C  
Operating: -20°C to 55°C

### Weight:

Universal enclosure: 5 kg  
Panel mount enclosure: 4 kg  
Wall mount enclosure: 10 kg  
Panel mount 178 mm touch-only enclosure: 3 kg  
Panel mount 305 mm touch-only enclosure: 5 kg

### Rating/Material:

Stainless steel 304 enclosure  
Universal: IP69K  
Wall mount: IP66  
Panel mount: IP69K, NEMA Type 4X and 12

### Warranty:

Two-year limited warranty

### EMC Immunity:

EN 50082 Part 2 IEC EN 61000-4-2, 3, 4, 5, 6, 8, and 11

### Approvals:

NTEP CC 15-00/Class III/III 10,000d  
Measurement Canada AM-5980C, Class III/III HD 10,000d  
OIML R76/2006-NL1-16.04 Class III/III 10,000d  
EU Test Certificate TC8596  
UL/cUL Listed (universal)  
UL/cUL Recognized (panel mount)  
CE Marked



Measurement  
Canada  
Approved



# 1280 Enterprise™ Series

Programmable Color Touchscreen Weight Indicator/Controller



7-inch model with keypad

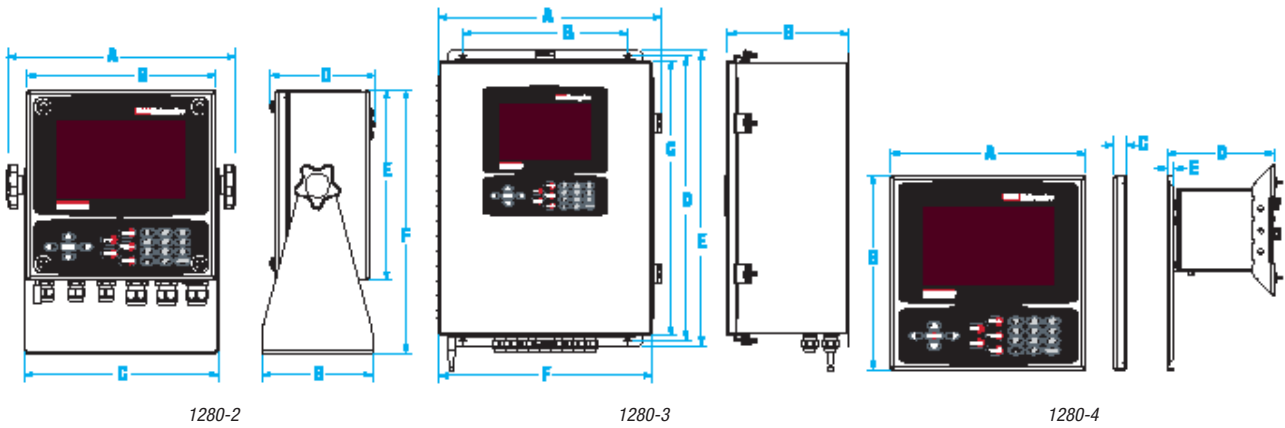


7-inch touch-only model



12-inch touch-only model

## Numeric Keypad Models:

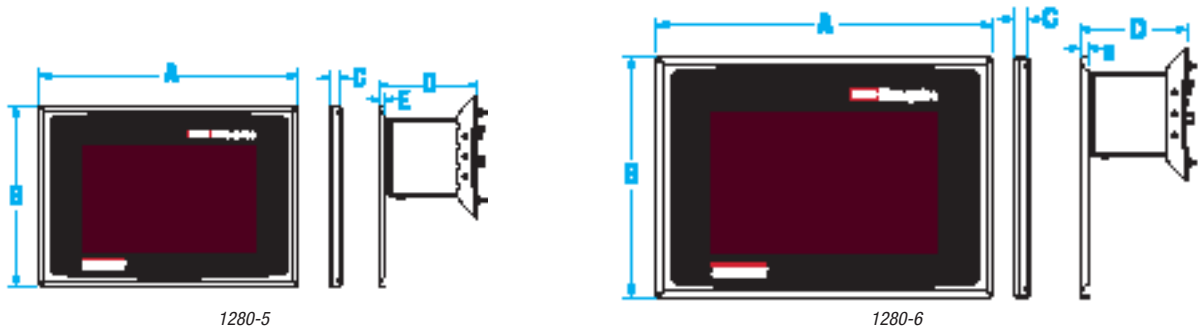


Universal (1280-2) Dimensions			
A	276 mm	B	158 mm
C	235 mm	D	126 mm
E	229 mm	F	318 mm
G	133 mm		

Wall Mount (1280-3) Dimensions			
A	379 mm	B	279 mm
C	463 mm	D	479 mm
E	499 mm	F	361 mm
G	205 mm		

Panel Mount (1280-4) Dimensions			
A	229 mm	B	229 mm
C	15 mm	D	136 mm
E	8 mm		

## Touch-only Models:



7-inch Touch-only (1280-5) Dimensions			
A	9.00 in (229 mm)	B	6.22 in (158 mm)
C	0.58 in (15 mm)	D	5.34 in (136 mm)
E	0.32 in (8 mm)		

12-inch Touch-only (1280-6) Dimensions			
A	14.00 in (356 mm)	B	10 in (254 mm)
C	0.58 in (15 mm)	D	5.34 in (136 mm)
E	0.32 in (8 mm)		

# 1280 Enterprise™ Series

Programmable Color Touchscreen Weight Indicator/Controller

## Generate a 1280 Enterprise Series Model Reference Code

This reference number can be used at time of ordering.



ENCLOSURE TYPE	POWER TYPE	CORD TYPE	DISPLAY TYPE	OPTION CARDS ALL SLOTS MUST BE FILLED
<ul style="list-style-type: none"> <li>1 Universal (1280-2)</li> <li>2 Panel (1280-4)</li> <li>3 Wall (1280-3)</li> <li>4 Touch-only Panel 7 in (1280-5)</li> <li>5 Touch-only Panel 12 in (1280-6)</li> </ul>	<ul style="list-style-type: none"> <li>1 AC</li> <li>2 DC</li> </ul>	<ul style="list-style-type: none"> <li>1 NEMA 5-15 Universal</li> <li>- None</li> <li>3 CEE 7/7 Universal</li> <li>4 NEMA 5-15 Wall</li> <li>5 CEE 7/7 Wall</li> </ul>	<ul style="list-style-type: none"> <li>1 500NIT 7 in Universal</li> <li>2 1000NIT 7 in Universal</li> <li>3 500NIT 7 in Panel/Wall</li> <li>4 1000NIT 7 in Panel/Wall</li> <li>5 1500NIT 12 in Panel</li> </ul>	<ul style="list-style-type: none"> <li>A Blank <i>If no option, controller will need 6 blanks</i></li> <li>B Single A/D Scale</li> <li>C Dual A/D Scale</li> <li>D 24 Channel Digital I/O</li> <li>E Dual Serial Channel</li> <li>F 4-dry Contact Relay</li> <li>G Single Analog Out</li> <li>H Dual Analog Out</li> <li>I Analog Input</li> <li>J EtherNet/IP</li> <li>K DeviceNet</li> <li>L ProfiNet</li> <li>M Modbus TCP</li> <li>N Profibus DP</li> <li>O EtherCat</li> <li>P PowerLink</li> </ul>

### Part Number

Part #	Reference #	Description	Power	Display	Option Installed	Price
<b>Universal Enclosure with 500 NIT Display (1280-2)</b>						
171441 ††	1131BAAAAA	1280 Universal	100-240 VAC	500 NIT	Single Scale Card	€3.112,00
172188 ††	1131CAAAAA	1280 Universal	100-240 VAC	500 NIT	Dual Scale Card	€3.278,00
<b>Panel Mount Enclosure with 500 NIT Display (1280-4)</b>						
171663*	21-3BAAAAA	1280 Panel Mount	100-240 VAC	500 NIT	Single Scale Card	€2.922,00
172186*	21-3CAAAAA	1280 Panel Mount	100-240 VAC	500 NIT	Dual Scale Card	€3.088,00
<b>Wall Mount Enclosure with 500 NIT Display (1280-3)</b>						
174143 ††	3153BAAAAA	1280 Wall Mount	100-240 VAC	500 NIT	Single Scale Card	€3.492,00
174145 ††	3153CAAAAA	1280 Wall Mount	100-240 VAC	500 NIT	Dual Scale Card	€3.658,00
<b>Wall Mount Enclosure with 1000 NIT Display (1280-3)</b>						
172185 ††	3154BAAAAA	1280 Wall Mount	100-240 VAC	1000 NIT	Single Scale Card	€3.587,00
172187 ††	3154CAAAAA	1280 Wall Mount	100-240 VAC	1000 NIT	Dual Scale Card	€3.753,00
<b>Touch-only 7 inch with 500 NIT Display (1280-5)</b>						
186618 *	41-3BAAAAA	1280 Touch-only 7 in	100-240 VAC	500 NIT	Single Scale Card	€2.922,00
<b>Touch-only 12 inch with 1500 NIT Display (1280-6)</b>						
186465 *	51-5BAAAAA	1280 Touch-only 12 in	100-240 VAC	1500 NIT	Single Scale Card	€3.610,00

\* Power cable not included



†† CEE 7/7 plug (Euro)

# 1280 Enterprise™ Series

Programmable Color Touchscreen Weight Indicator/Controller

INDICATORS / CONTROLLERS

www.ricelake.com/global | Phone: +31 (0) 26 472 1319

RICE LAKE

## Single A/D Scale



**Excitation Voltage:**  
10 VDC bi-polar, 4 or 6 wire sensing  
16 x 350 ohms per channel  
**Analog Input Signal:**  
-10 to +40 mV

Part #	Description	Price
164085	Single scale A/D	€357,00
166957	A/D sealing kit	€13,00

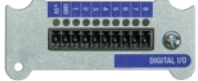
## Dual A/D Scale



**Excitation Voltage:**  
10 VDC bi-polar, 4 or 6 wire sensing  
8 x 350 ohms per channel  
**Analog Input Signal:**  
-10 to +40 mV

Part #	Description	Price
164683	Dual scale A/D	€523,00
166957	A/D sealing kit	€13,00

## Digital I/O



24 channels, configurable as inputs or outputs. Inputs: 5 VDC max, active low; Outputs: 20 mA max per channel, active low; 5 VDC source available; 500 mA max

Part #	Description	Price
164684	Digital I/O	€309,00
170008	DIO adapter, includes 60 pin flat ribbon cable, 24 in	€124,00
170009	DIO adapter, includes 60 pin round cable, 60 in	€148,00
170736	DIO adapter, includes 60 pin cable and cord grip, 60 in	€148,00

For 24 I/O ribbon cable required.

## Dual Serial Channel



Two-channel, full duplex RS-232 with CTS/RTS, RS-485 or RS-422, 1200-115200 baud

Part #	Description	Price
164685	Dual serial channel	€357,00

## Single Analog Out



16 bit, voltage output 0-10 VDC, current output 0-20mA, 4-20mA

Part #	Description	Price
165366	Single analog out	€357,00

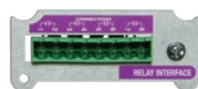
## Dual Analog Out



16 bit, voltage output 0-10 VDC, current output 0-20mA, 4-20mA

Part #	Description	Price
164686	Dual analog out	€523,00

## Relay Card



Relay four-dry contact, max current 3A @ 30 VDC, 3A @ 250VAC

Part #	Description	Price
164689	Relay card	€404,00

## Analog Input



**Analog Input Signal:**  
±10VDC, ±100mV, 0-20mA

Part #	Description	Price
164687	Dual analog input	€618,00

## Data Exchange with PLC/DCS Systems

### EtherNet/IP



Part #	Description	Price
165792	EtherNet/IP	€570,00

### DeviceNet



Part #	Description	Price
165793	DeviceNet	€570,00

### Profinet



Part #	Description	Price
165794	Profinet	€570,00

### Modbus TCP



Part #	Description	Price
165796	Modbus TCP	€570,00

### Profibus DP



Part #	Description	Price
165795	Profibus DP	€570,00

### EtherCAT



Part #	Description	Price
179533	EtherCAT	€570,00

### PowerLink



Part #	Description	Price
182319	PowerLink	€808,00

# 1280 Enterprise™ Series

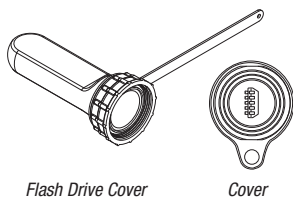
Programmable Color Touchscreen Weight Indicator/Controller

## Grayhill Relays and Racks

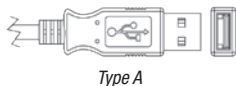
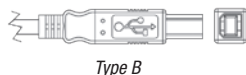
Part #	Description	Price
52332	Two-channel input relay, 2.5-28 VDC	€43,00
52318	Two-channel input relay, 120 VAC	€43,00
52319	Two-channel input relay, 240 VAC	€43,00
52331	Two-channel input relay, 10-32 VDC	€43,00
52316	Two-channel output relay, 120-140 VAC at 2 amp	€58,00
52317	Two-channel output relay, 240-280 VAC at 7 amp	€62,00
71376	Two-channel output relay, 3-60 VDC at 1 amp	€60,00
71377	Two-channel output relay, 0-200 VDC/VAC at 1,5A/10W (dry contact)	€77,00
84698	Two-channel output relay, inductive load, 120-140 VAC at 2A	€60,00
84699	Two-channel output relay, inductive load, 240-280 VAC at 2A	€95,00
52312	Eight-channel relay rack, panel mount and wall mount, requires 50-Pin flat or round ribbon cable - 4 slots	€147,00
52314	16-channel relay rack, panel mount and wall mount, requires 50-Pin flat or round ribbon cable - 8 slots	€271,00
52315	24-channel relay rack, panel mount and wall mount, requires 50-Pin flat or round ribbon cable - 12 slots	€437,00
170008	Cable, 60-Pin flat ribbon with 50-Pin adapter, 610 mm length	€124,00
170009	Cable, 60-Pin round with 50-Pin adapter, 1.524 mm length	€148,00
170736	Cable, 60-Pin round with cord grip and 50-Pin adapter, 1.524 mm length	€148,00

## Options

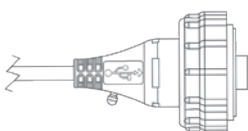
Part #	Description	Price
<b>Manuals and Software</b>		
77925	Revolution scale software	€34,00
166046	Manual, Operation	€24,00
167659	Manual, Technical	€34,00
167660	CD, 1280 Documents	€24,00
164939	8 GB Micro SD card with SD and USB adapter	€24,00
173046	USB flash drive, 1 GB	€9,50



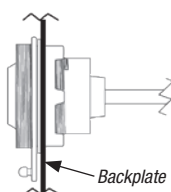
Unsealed Connectors



Sealed Connector



Sealed Receptacle



## Options

Part #	Description	Price
<b>Primary Component Parts</b>		
163400	7 in 500 NIT display	€333,00
163399	7 in 1000 NIT display	€428,00
182992	12 in 1500 NIT display	€832,00
179992	CPU board assembly includes face plate & fan plate	Consult
160758	Back Plane board	€200,00
162693	AC power supply board	€162,00
162694	DC power supply board	€162,00
164121	Overlay, keypad, for panel & wall mount	€72,00
164120	Overlay, touchscreen, for panel & wall mount	Consult
161731	Overlay, keypad, for universal	€72,00
161730	Overlay, touchscreen, for universal	€124,00
178498	Overlay, touchscreen, for 7 in touch-only panel mount	€200,00
176126	Overlay, touchscreen, for 12 in touch-only panel mount	€380,00
178161	Clear protective overlay display (pack of 5)	Consult
178163	Clear protective overlay keypad (pack of 5)	Consult

## Options/Accessories

Part #	Description	Connector Type				Price
		Sealed		Unsealed		
USB Cables (Note: Cables have a plug)		A	B	A	B	
152434	Unsealed connectors USB-A to USB micro A, 2 m cable			X		€15,00
79074	Unsealed connectors USB-A to USB-B, 2 m cable			X	X	€34,00
124700	Sealed connectors, USB-A to USB-B, 3 m IP68 cable	X	X			€86,00
126477	Sealed connector USB-A to unsealed connector USB-A, 3 m IP68 cable	X		X		€86,00
124701	Sealed connector USB-A to unsealed connector USB-B, 3 m IP68 cable	X			X	€86,00
124702	Sealed connector USB-B to unsealed connector USB-A, 3 m IP68 cable		X	X		€86,00
<b>USB Receptacles (Note: Receptacles have a socket)</b>						
176790	Sealed receptacle USB-A for panel mount, 0,75 m cable	X		X		€100,00
126476	Sealed receptacle USB-A for wall mount, 0,5 m cable	X		X		€86,00
172735	Sealed receptacle USB-A for universal, 0,25 m cable	X		X		€86,00
124694	Cover for sealed receptacles					€13,00
124689	Cover for flash driver mounts on sealed receptacle					€24,00
<b>Ethernet Cables</b>						
72697	Unsealed Ethernet, RJ45 to RJ45, 2 m cable			X		€38,00
124706	Sealed to sealed Ethernet 3 m cable	X				€86,00
124707	Sealed to unsealed Ethernet 3 m cable	X		X		€86,00
<b>Ethernet Receptacles</b>						
176789	Sealed receptacle Ethernet RJ-45, 0,75 m cable	X				€100,00
172734	Sealed receptacle Ethernet RJ-45, 0,5 m cable	X				€86,00
126353	Sealed receptacle Ethernet RJ-45, 0,25 m cable	X				€86,00

## Dual Kiosk Truck In/Out Single Scale

PN 156959:

System consists of a bidirectional single platform truck scale, inbound truck kiosk and outbound truck kiosk. Inbound (if two outbound kiosks are used) and outbound tickets with transaction storage of each weighment.



## Grain Program with Shrink Calculator

PN 156886:

This custom application for the 920i supports weighing trucks of grain. Up to 200 grain types, associated divisors and accumulator can be stored. Up to 500 accounts and 1.000 trucks can be stored.

## Truck In/Out with Products/Customers/Trucks and Reports

PN 77297:

This program supports truck in/out weighing program for manual truck transactions using Rice Lake Weighing Systems' 920i digital weight indicator. Stored IDs allow you to keep a database of truck IDs, customer, product, project information and weigh-in weights in the indicator's memory. Parameters are accessed by simply scrolling through the Supervisor main menu using the down arrow on the 920i. The 920i can automatically store up to 100 truck IDs and tare weights, 950 customers, 1.000 products and 1.000 projects.

## Short Axle Weighing Program

PN 153146:

920i custom program will interface to a short axle scale and direct each axle across the scale using traffic lights.

## Truck In/Out with Report

PN SZ99999:

920i program allows trucks to weigh in and out (saves inbound weight after weighing out and has value swapping) and stores the transaction after each weigh out with truck ID, gross, tare and net. Transactions may be printed or cleared at any time through the Setup menu. An HID scanner is available as a peripheral piece of hardware.

## Standard Features

- Pre-programmed software to carry out specific weighing functions
- Utilize Rice Lake's iRite™ programming language
- For use with all Rice Lake 920i models (hardware requirements may apply)
- Available pre-installed with purchase of new equipment, or via iRev™ for installation on existing 920i models
- Fully customizable

## Part Number/Price

Part #	Description	Price
153146	Short axle weighing program	€566,00
SZ99999	Truck in/out with report	Consult
77297	Truck in/out with products/customers/trucks and reports	€471,00
156886	Grain program with shrink calculation	€376,00
156959	Dual kiosk truck in/out single scale	€998,00

*Please consult factory for hardware suggestions*

# 920i® FlexWeigh Systems

Fillers/Batchers



**Manufacturer-Approved**  
DIRECT REPLACEMENT FOR FLEXWEIGH'S DWM-IV

## Standard Features

- Wall mount stainless steel enclosure
- Application program 101, 102, 103, 104, 201, 202
- Front panel switches E-Stop, Reset/Resume, Start
- Softkeys for presets, CN#, ID#, formula#, totals
- Accumulating subtotal & total registers
- Transmitted audit trail
- Digital I/O board
- Relay rack and SSR relay outputs

## Approvals



Standard Switches	101	102	103	104	201	202
E-Stop mushroom	X	X	X	X	X	X
Reset/resume	X	X	X	X	X	X
Start	X	X	X	X	X	X
Discharge	-	X	-	-	-	X

Standard Outputs	101	102	103	104	201	202
Fast fill**	X	X	X	X	X	X
Slow fill***	X	X	X	X	X	X
Fill complete*	OPT	OPT	X	X	OPT	OPT
Zero tolerance	OPT	OPT	-	-	OPT	OPT
Discharge	-	X	-	-	-	X
Refill	-	-	X	-	-	-
Refill complete	-	-	OPT	-	-	-
Slow cycle	-	-	OPT	X	-	-

\* Dispense for 103 and 104

\*\* Fast Fill Ingredient 1 201/202

\*\*\* Fast Fill Ingredient 2 201/202

## 101 Basic Filler

Place an empty container on the scale. Automatically fill the container to a preset weight. Remove the container from the scale. Replace it on the scale with an empty container and repeat the process.

## 102 Automatic Fill, Automatic Discharge

Place an empty container under the scale. Automatically fill the scale to a preset weight. Discharge the scale into the container. Remove the container from under the scale. Replace it under the scale with another empty container and repeat the process.

## 103 Loss-In-Weight Filler

Dispense preset net weight quantities from the scale until either low level or less-than-preset gross weight is achieved. Then refill to high level.

## 104 Loss-In-Weight Filler

Product supply containers are placed on the scale. Net weight quantities are dispensed from the containers until empty. When containers empty in the middle of a dispense cycle, the cycle is paused and allowed to resume where it left off when the empty containers are replaced on the scale with filled ones.

## 201 Four Ingredient Dual Speed or Eight Ingredient Single Speed Batcher

Place empty container on scale, automatically fill multiple ingredients in a sequential order to preset formula weights. Remove the container, replace with empty and repeat.

## 202 Four Ingredient Dual Speed or Eight Ingredient Single Speed With Discharge

Fill tank or hopper with multiple ingredients in a sequential order then empty into a vessel below.

## Part Number/Price

Part #	Description	Est. Weight	Price
<b>Consult</b>	920i FlexWeigh Systems 101	10,4 kg	Consult
<b>Consult</b>	920i FlexWeigh Systems 102	10,4 kg	Consult
<b>Consult</b>	920i FlexWeigh Systems 103	10,4 kg	Consult
<b>Consult</b>	920i FlexWeigh Systems 104	10,4 kg	Consult
<b>Consult</b>	920i FlexWeigh Systems 201	10,4 kg	Consult
<b>Consult</b>	920i FlexWeigh Systems 202	10,4 kg	Consult
<b>Relays</b>			
<b>52312</b>	Eight-channel relay rack (4 slots)		€147,00
<b>52316</b>	Two-channel output relay, 120 - 140 VAC at 2A		€58,00
<b>52317</b>	Two-channel output relay, 240-280 VAC at 2A		€62,00

## Options/Accessories

Part #	Description	Price
<b>120491</b>	920i FlexWeigh Systems 101 manual	€24,00
<b>120493</b>	920i FlexWeigh Systems 102 manual	€24,00
<b>124473</b>	920i FlexWeigh Systems 103 manual	€24,00
<b>120496</b>	920i FlexWeigh Systems 104 manual	€24,00
<b>152146</b>	920i FlexWeigh Systems 201/202 manual	Consult

## Optional Switches

	Switch Part #	Legend Part #	101	102	103, 104	201	202
Selector 3 position	94296						
Manual/ Off/ Auto		121035	X	X	X	X	X
Manual Ingredient Select						X	X
Push-button	94276						
Fill		121036	X	X		X	X
Discharge		121037		X			X
Dispense		121038			X		
Refill		121039			X		
Maintained/Off/Spring Return	94299						
Fill On/-/Jog		121040	X	X		X	X
Fill Fast/-/Slow		121041	X	X		X	X
Discharge On/-/Jog		121043		X			X
Discharge Fast/-/Slow		121044		X			X
Dispense On/-/Jog		121046			X		
Dispense Fast/-/Slow		121048			X		
Refill On/-/Jog		121049			X		
Manual Feed		—				X	X

## Optional Front Panel Lights

	Lamp	Legend	101, 102	103	104	201	202
Ready	94289 Green	121051	X			X	X
Fill Complete	94290 Red	121052	X			X	X
Filling	98760 Amber	121053	X				
Filling Fast	98760 Amber	121054	X				
Filling Slow	98760 Amber	121055	X				
Discharging	94292 Blue	121056	X			X	X
Discharging Fast	94292 Blue	121057	X				
Discharging Slow	94292 Blue	121058	X				
Dispensing	98760 Amber	121059		X	X		
Dispensing Fast	98760 Amber	121060		X	X		
Dispensing Slow	98760 Amber	121061		X	X		
Dispensing Complete	94290 Red	121062		X	X		
Refilling	94292 Blue	121063		X			
Refill Complete	94290 Red	121064		X			
Low Supply	94290 Red	121065		X	X		
Fill Time Alarm	94290 Red	121066		X	X		
Feeding (1-4)	98760 Amber	—				X	X
Slow Cycle	94290 Red	—	X	X	X		
Gate Fault	94290 Red	—	X	X	X		
Scale Overfill	94290 Red	—	X	X	X		
Surge Backup	94290 Red	—	X	X	X		
Printer	94290 Red	—	X	X	X		

# 920i® FlexWeigh Systems

Bulkweighers



**Manufacturer-Approved**  
DIRECT REPLACEMENT FOR FLEXWEIGH'S DWM-IV

## Standard Features

- Wall mount stainless steel enclosure
- Application program 107,108,109
- Front panel switches E-Stop, Start/Resume, End Cycle, Ship/Recv (only 109)
- Softkeys for presets, ID1 and ID2
- Accumulating weight streaming
- Fill and discharge sequence controls
- Fill and discharge gate monitoring
- Printer online checking
- Weigh and surge hopper overflow monitoring
- Transmitted audit trail
- Digital I/O board
- Relay rack and SSR relay outputs

## Approvals



Standard Switches	107	108	109
E-Stop mushroom	X	X	X
Start/Resume	X	X	X
End cycle	X	X	X
Ship/Recv	-	-	X

Standard Outputs	107	108	109
Slow cycle alarm	OPT	OPT	OPT
Gate alarm	OPT	OPT	OPT
Scale over fill alarm	OPT	OPT	OPT
Lower surge alarm	OPT	OPT	OPT
Printer alarm	OPT	OPT	OPT
Open fill gate	X	X	X
Open discharge gate	X	X	X

Standard Inputs	107	108	109
Fill gate closed	X	X	X
Discharge gate closed	X	X	X
Surge hopper not full	X	X	X
Weigh hopper not full	X	X	X
Printer online	X	X	X

## Options

- Pilot lights for error indication
- Manual override switches

## Part Number/Price

Part #	Description	Est. Weight	Price
Consult	920i FlexWeigh Systems 107	10,4 kg	Consult
Consult	920i FlexWeigh Systems 108	10,4 kg	Consult
Consult	920i FlexWeigh Systems 109	10,4 kg	Consult

## 107 Shipping Bulkweigher

The 920i FlexWeigh 107 is designed for basic shipping-mode bulkweighing applications. In shipping mode, a scale is loaded and discharged repetitively until the accumulated weight meets the overall target value.

## 108 Receiving Bulkweigher

The 920i FlexWeigh 108 is designed for basic receiving mode bulkweighing applications. In receiving mode, a scale is loaded and discharged until there is no more product to receive. To end the cycle, the End Cycle button is pressed.

## 109 Ship/Receive Bulkweigher

The 920i FlexWeigh 109 allows the user to select which mode of operation to use. This is done with a three-position locking key switch.

## Options/Accessories

Part #	Description	Price
151848	920i FlexWeigh Systems 107/108/109 manual	€24,00

## Optional Switches

Installed Price: Consult

Type	107	108	109	
Manual/Off/Auto	3-position key selector	X	X	X
Man Fill On/-/Jog	Maintained/Off/Spring Return		X	X
Man Disch On/-/Jog		X	X	

# 920i® FlexWeigh Systems

Flow Rate Controllers



**Manufacturer-Approved**  
DIRECT REPLACEMENT FOR FLEXWEIGH'S DWM-IV

## 105 Basic Flow-Rate Controller

Dispense preset net weight quantities at preset flow-rate values.

## 106 Loss-In-Weight with Flow-Rate Control and Automatic Refill

Dispense preset net weight quantities at preset flow-rate values with automatic refill when gross weight drops below threshold.

## 205 Eight Ingredient Batcher with Flow-Rate Control Discharge

Batch up to eight ingredients in sequential order to preset formula weights. Discharge to net quantities via preset flow-rate control.

### Standard Switches/Outputs

Standard Switches	105	106	205
E-Stop mushroom	X	X	X
Reset/Resume	X	X	X
Start	X	X	X
Discharge	-	-	X

Outputs	105	106	205
Fast fill**	X	-	X
Slow fill***	X	-	X
Fill complete*	X	-	X
Zero tolerance	Opt	-	Opt
Discharge	X	X	X
Refill	-	X	-
Refill complete	-	Opt	--
Slow cycle	Opt	Opt	Opt

\* Dispense for 105 and 106

\*\* Fast Fill Ingredient 1 205

\*\*\* Fast Fill Ingredient 2 205

## 211 Manual Batching System

Prompts the user through manual weight additions based on a pre-entered formula

### Standard Features

- Wall mount stainless steel enclosure
- Application program 105, 106, 205
- Front panel switches E-Stop, Reset/Resume, Start
- Softkeys for presets, CN#, ID#, formula#, totals
- Accumulating subtotal & total registers
- Transmitted audit trail
- Digital I/O board
- Relay rack and SSR relay outputs

### Approvals



### Part Number/Price

Part #	Description	Est. Weight	Price
Consult	920i FlexWeigh Systems 105	10,4 kg	Consult
Consult	920i FlexWeigh Systems 106	10,4 kg	Consult
Consult	920i FlexWeigh Systems 205	10,4 kg	Consult
Relays			
52312	Eight-channel relay rack (4 slots)		€147,00
52316	Two-channel output relay, 120 - 140 VAC at 2A		€58,00
52317	Two-channel output relay, 240-280 VAC at 2A		€62,00

### Options/Accessories

Part #	Description	Price
Consult	920i FlexWeigh Systems 105 manual	Consult
Consult	920i FlexWeigh Systems 106 manual	Consult
Consult	920i FlexWeigh Systems 205 manual	Consult

# 920i® FlexWeigh Systems

Hand Batching



**Manufacturer-Approved**  
DIRECT REPLACEMENT FOR FLEXWEIGH'S DWM-IV

### Standard Features

- Stainless deep universal mount enclosure
- Application program 211
- Softkeys for presets ID#; Formulas; Accumulating, Subtotal and Total Registers
- Switch for manual confirmation
- 20 ingredient database
- 100 formula database
- Audit trail data output
- Ingredient usage totals

### Approvals



### Part Number/Price

Part #	Description	Est. Weight	Price
Consult	920i Flexweigh Systems 211	5,9 kg	Consult



## Specifications

**Enclosure:**

NEMA 4, IP65

**Weight:**

445 g

**Keypad:**

On/off, zero (100%), tare, print, and two user-defined keys for the following functions: peak hold, high resolution, total, view total, net/gross, units switching

**Display:**

Six-digit 26,4 mm LCD

Units Displayed:

Pounds, kilograms, tons, metric tons, kilonewtons

**Annunciators:**

Stable, COZ, low battery, peak, net, kg, kN, lb, M, ton, setpoint, function LEDs

**Power:**

Integral lithium ion battery

Universal 115/230 VAC, 50/60 Hz battery charger (NA plug included)

**Operating Time:**

Up to 24 hours of continuous use (15 minute auto-shutoff with non-use)

**Operating Temperature:**

-20° C to 60° C

**RF Radio Link:**

2,4 GHz 802.15.4

Communicates with RF 3460, 4260, 7300, 7000 & 7001

**RF Effective Range:**

Typically 33 m

**Connector:**

4-Pin Turck connector for charging and RS-232 communication

**Warranty:**

One-year limited



## Standard Features

- Handheld RF remote display with six-digit 26,4 mm LCD screen
- Membrane keypad for remote control functionality
- User-definable function keys for added versatility
- Universal 115/230 VAC, 50/60 Hz battery charger (NA plug standard)
- Communicates with RF 4260, 7300, 7000 & 7001
- Communicates with RF MSI-3460 Challenger 3, MSI-4260 Port-A-Weigh, MSI-7300 Dyna-Link 2, MSI-7000 and MSI-7001 TranSend™

## Part Number/Price

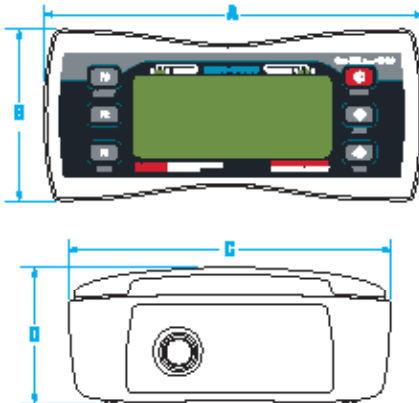
Part #	MSI Part #	Description	Price
139381	503208-0001	MSI-8000 RF remote display (requires ScaleCore™ equipped MSI-7300, MSI-4260, MSI-3460 and TranSend receivers)	€1.029,00

## Options/Accessories

Part #	MSI Part #	Description	Price
149550	503486-0002	Universal 115/230 VAC 50/60 Hz (EC plug standard) battery charger for MSI 8000 RF remote display	€113,00
150964	503489-0001	DB9 female serial interface cable for MSI-8000 RF remote display	€147,00
151095	503506-0001	Audible alarm	Consult
182223		12V car charger adapter for MSI-8000	€100,00

## Dimensions

	A	B	C	D
A	203 mm		98 mm	
B		98 mm		35 mm



# MSI-8000HD

## Digital Weight Indicator



### Standard Features

- Indicator or RF remote display with six-digit 26,4 mm LCD screen
- IP68 milled aluminum enclosure
- Membrane keypad for remote-control functionality
- User-definable function keys for added versatility
- Compatible with all ScaleCore™-based products including: MSI-7300 Dyna-Link 2, MSI-3460 Challenger 3, MSI-4260 Port-A-Weigh, MSI-7000 and MSI-7001 TranSend™
- Swivel tilt stand
- NTEP certified configuration

### Optional Features

- Up to 8 configurable relay outputs
- Wi-Fi communications
- Bluetooth® communications
- 802.15.4 Serial RF
- FHSS
- Wired Ethernet

### Dimensions

A	12.82 in (326 mm)	B	11.05 in (281 mm)
---	-------------------	---	-------------------



### Approvals



### Specifications

#### Enclosure:

NEMA Type 4, IP68 milled anodized aluminum with O-ring gaskets

#### Keypad:

On/Off, Zero (100%), Tare, Print, and two user-defined keys for the following functions: peak hold, high resolution, total, view total, net/gross, units switching

#### Display:

Six-digit 26,4 mm LCD

#### Units Displayed:

Pounds, kilograms, tons, metric tons, kilonewtons

#### Annunciators:

Stable, COZ, peak, kg, kN, lb, M, ton, setpoint, function LEDs. Channels: 1, 2, 3, 4, TTL

#### Power:

90-267 VAC, 9-36 VDC, 18-72 VDC, 120-300 VDC  
Optional battery power module available

#### Operating Temperature:

-20° C to 60° C

#### RF Remote Channels:

Up to four remote sensors, monitored individually, in pairs, or sum all (non-A/D version only)

#### Service Counters

A/D version only

#### A/D Inputs:

Two independent or summing load cell inputs

#### Excitation:

4.8V current limited and over-voltage protected

#### Filtering:

Off, Low, Hi-1, Hi-2

#### RF Radio Link:

2.4 GHz 802.15.4

Compatible with all ScaleCore™-based products including: MSI-7300 Dyna-Link 2, MSI-3460 Challenger 3, MSI-4260 Port-A-Weigh, MSI-7000 and MSI-7001

#### RF Effective Range:

Typically 33 m or more

#### Data I/O:

Dual RS-232 comm ports

#### Wired Ethernet:

Up to 8 configurable relay outputs

#### Optional Communications:

Wi-Fi  
Bluetooth®  
Serial RF (Single Sequence or FHSS)

#### Warranty:

One-year limited warranty

#### Approvals:

NTEP COC#15-110 (-10°C to 40°C)

**Part Number/Price**

Part #	Description	Est. Weight	Price
153591	MSI 8000HD ScaleCore RF/Remote Display/85-265 VAC	2.5 kg	€1.124,00
154853	MSI 8000HD ScaleCore RF/Remote Display/Internal Battery	2.5 kg	€1.214,00
160476	MSI 8000HD ScaleCore RF/Remote Display/7-36 VDC	2.5 kg	€1.085,00
159377	MSI 8000HD ScaleCore RF/Remote Display/18-72 VDC	2.5 kg	€1.111,00
159376	MSI 8000HD ScaleCore RF/Remote Display/9-36 VDC	2.5 kg	€1.111,00
158427	MSI 8000HD Meter/2 A/D Inputs/85-265 VAC (non RF)	2.5 kg	€1.366,00
158428	MSI 8000HD Meter/2 A/D Inputs/Internal Battery (non RF)	2.5 kg	€1.456,00
160478	MSI 8000HD Meter/2 A/D Inputs/7-36 VDC (non RF)	2.5 kg	€1.214,00
159381	MSI 8000HD Meter/2 A/D Inputs/18-72 VDC (non RF)	2.5 kg	€1.245,00
159380	MSI 8000HD Meter/2 A/D Inputs/9-36 VDC (non RF)	2.5 kg	€1.245,00
158425	MSI-8000HD RF Meter/2 A/D Inputs/85-265 VAC	2.5 kg	€1.379,00
158426	MSI-8000HD RF Meter/2 A/D Inputs/Internal Battery	2.5 kg	€1.500,00
160477	MSI 8000HD RF Meter/2 A/D Inputs/7-36 VDC	2.5 kg	€1.379,00
159379	MSI 8000HD RF Meter/2 A/D Inputs/18-72 VDC	2.5 kg	€1.387,00
159378	MSI 8000HD RF Meter/2 A/D Inputs/9-36VDC	2.5 kg	€1.387,00
176957 *	MSI 8000HD BT Meter/85-265 VAC	2.5 kg	Consult
176958	MSI 8000HD Wi-Fi Meter/85/265 VAC	2.5 kg	€1.150,00
176959 *	MSI 8000HD BT Meter/Internal Battery	2.5 kg	Consult
176960	MSI 8000HD Wi-Fi Meter/Internal Battery	2.5 kg	€1.245,00
176962 *	MSI 8000HD BT Meter/7-36 VDC	2.5 kg	Consult
176964	MSI 8000HD Wi-Fi Meter/7-36 VDC	2.5 kg	€1.106,00
176965 *	MSI 8000HD BT Meter/9-36 VDC	2.5 kg	Consult
176966	MSI 8000HD Wi-Fi Meter/9-36 VDC	2.5 kg	€1.137,00
176967 *	MSI 8000HD BT Meter/18-72 VDC	2.5 kg	Consult
176968	MSI 8000HD Wi-Fi Meter/18-72 VDC	2.5 kg	€1.137,00

\* Bluetooth modems only work with certain Android devices. Please contact office for potential applications.

**Options/Accessories**

Part #	Description	Price
155173	MSI-8000HD spare tilt stand option kit	€65,00
155193	MSI-8000HD Ethernet TCP/IP option kit wired	€352,00
162178	Antenna extension kit	€359,00
148624	MSI-8000HD serial RS-232 cable	€100,00
158779	MSI-8000HD two each coil relay option kit, 250 VAC/30 VDC 5A or 100 VDC 0,4A	€273,00
158780	MSI-8000HD two each solid state relay option kit, 60 Vpk 2,7A	€273,00
158781	MSI-8000HD two each solid state relay option kit, 200 Vpk 0,9A	€273,00
149549	Universal 115/230 VAC 50/60 Hz (NA plug standard) battery charger for MSI-8000HD battery powered device	€117,00
149550	Universal 115/230 VAC 50/60 Hz (international plugs) battery charger for MSI-8000HD battery powered device	€113,00
171203	Audible alarm kit	€273,00
176963	Serial print cable	Consult
<b>Relays</b>		
172490	Expanded Relay Kit, Four-Channel, 12A 5V, Latching Relays	€644,00
172492	Expanded Relay Kit, Four-Channel, 12A 5V, Momentary Relays	€627,00
Consult	Expanded Relay Kit, Four-Channel, 0,9A 200Vpk, AC/DC Solid State Relays	€680,00
172495	Expanded Relay Kit, Eight-Channel, 12A 5V, Momentary Relays	€648,00
172500	Expanded Relays Option Kit, Four-Channel, 3A, 60Vpk Solid State Form C Relays	€886,00
172501	Expanded Relays Option Kit, Eight-Channel, 3A 60Vpk, Solid State Form C Relays	€1.180,00
172502	Expanded Relays Option Kit, Eight-Channel, 0,9A 200Vpk, Solid State Form C Relays	€1.033,00
171676	Expanded Relays Option Kit, Eight-Channel, 12A 5V, Latching Relays	€696,00

# MSI-8004HD

Indicator/RF LED Remote Display



## Specifications

### Display

Six-digit, 38 mm LED display with red/green coloring

### Enclosure:

NEMA Type 4, IP65 milled anodized aluminum

### Keypad:

On/Off, Zero, Tare, Print and two user-defined keys

### Functions:

Peak hold, high resolution, total, view total, net/gross, units switching

### Units

Pounds, kilograms, tons, metric tons, kilonewtons

### Annunciators:

Stable, COZ, kg, lb, setpoint, channel LEDs,

### Channels:

1, 2, 3, 4, TTL

### Power:

90-267 VAC, 9-36 VDC, 18-72 VDC, 120-300 VDC, 8-32V, external battery options

### Temperature:

-20° C to 60° C

### RF Remote Channels:

Up to four remote sensors monitored individually, in pairs or sum all (non-A/D version only) (when used with TranSend)

### Service Counters:

A/D version only

### A/D Inputs:

Four independent or summing load cell inputs

### Relays:

Two 5V coil, 250VAC, 5A relays

### Excitation:

4,8 V current limited and over-voltage protected

### Filtering:

Off, Low, Hi-1, Hi-2

### RF Radio Link:

2,4 GHz 802.15.4, optional second channel for Serial RF, 802.11 Wi-Fi, cellular connectivity or Bluetooth™

### RF Effective Range:

Typically 91,44 m line of sight

### Data I/O:

Two RS-232 hard wired communication ports

### Approvals:

NTEP COC #17-036 (-5° C to 40° C)  
Measurement Canada

### Warranty:

One-year limited warranty

## Standard Features

- IP65 rugged milled aluminum enclosure
- Backlit membrane keypad for user functioning and controls
- Tilt bracket included
- NTEP certified configuration

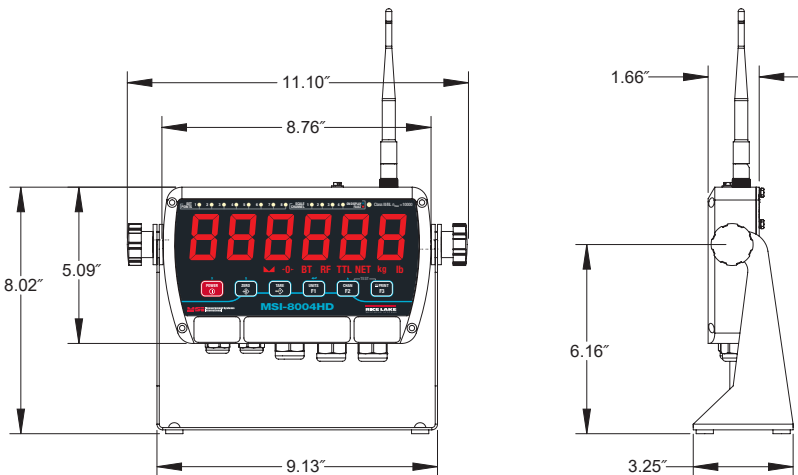
## Options

- Expanded relay outputs
- Battery pack for mobile operation
- Second radio module for additional network connectivity

## Approvals



Measurement  
Canada  
Approved



## Part Number/Price

Indicator		
Part #	Description	Price
178265	MSI-8004HD Indicator, 4CH AC, Red/Green 85~264 VAC, 47~440 Hz, 120~370VDC	€1.582,00
178269	MSI-8004HD Indicator, 4CH DC 8-32V, Red/Green Best for external 12V SLA Batteries	€1.612,00
178271	MSI-8004HD Indicator, 4CH DC 9-36V Iso, Red/Green Do not use on 12V Vehicle Systems	€1.681,00
178274	MSI-8004HD Indicator, 4CH DC 18-75V Iso, Red/Green	Consult
178278	MSI-8004HD Indicator, 4CH DC 5V Red/Green for use with external 15W, 5V power supplies	Consult
183481	MSI-8004HD Indicator, 4CH 5V Red/Green with external rechargeable battery	€1.590,00
196904	MSI-8004HD Indicator, 4CH AC, Red/Green Instant Power-On, 85-264VAC	Consult
Remote Display		
178281	MSI-8004HD Display, AC, Red/Green 85~264 VAC, 47~440 Hz, 120~370 VDC	€1.543,00
178283	MSI-8004HD Display, DC 8-32V, Red/Green Best for external 12 V SLA Batter	€1.508,00
178285	MSI-8004HD Display, DC 9-36V Iso, Red/Green Do not use on 12 V Vehicle Systems	€1.573,00
183479	MSI-8004HD Display, 4CH 5V Red/Green with external rechargeable battery	€1.366,00

## Options

Part #	Description	Price
148624	Serial Cable, RS-232 9000 Serial Cable, DCE	€100,00
139309	Antenna Kit, Long Range Omni-directional, 9 dBi with 3 m Coax Intended for omni-directional mast mounting (up to 51 mm Ø). Beam-width. Must be mounted vertically.	€376,00
139310	Antenna Kit, Corner Reflector, 9 dBi with 3 m coax intended for directional wall or mast mounting (up to 51 mm Ø). Beam-width: 75° Elevation, 65° Azimuth	€372,00
139311	Antenna Kit, Corner Reflector, 12 dBi with 3 m coax intended for directional wall or mast mounting (up to 51 mm Ø). Beam-width: 50° Elevation, 36° Azimuth	€398,00
139312	Antenna Kit, YAGI, 15 dBi with 3 m coax highly directional wall or mast mounting (up to 51 mm Ø). Beam-width: 30° Elevation, 34° Azimuth	€307,00
139313	Antenna Kit, Vehicle Mount, 5 dBi with 5 m coax omni-directional. Mounts in 19,1 mm Hole.	€113,00
162178	Antenna extension kit	€359,00
197013	Antenna extension kit, 20 ft	Consult
155173	Option kit, tilt stand	€65,00
171203	Audible alarm Not compatible with battery versions 22436	€273,00
22436	Cable, Comm DB9F 9 Pin Fem One end stripped and tinned on other end 6 Pin 2 (Brown) Pin 3 (Red) Pin 5 (Yellow) For use with MSI-8004HD serial ports to connect to: Scoreboard displays, printers, computers & other equipment that supports RS-232	€64,00
183437	Battery, 5V Li-ion battery with USB power ports. Output 5V/3,0A per port (6,0 A max)Rate, 2A per port (4A if both ports are used)	€173,00
184132 *	8004 option kit, Bluetooth® with SMA antenna	€129,00
184131	8004 option kit, WiFi with SMA antenna	€147,00
187424	8004 option kit, 2nd Xbee with TNC antenna	Consult
182224	Power Adapter, 12VDC 5VDC Dual USB Car Charger plus 0,9m USB Cable	€44,00
Relays		
172500	Expanded Relays Option Kit, four-channel, 3A, 60VPK SSR form C	€886,00
172501	Expanded Relays Option Kit, eight-channel, 3A 60VPK, SSR form C	€1.180,00
Consult	Expanded Relays Option Kit, four-channel, 0.9A 200VPK, AC/DC SSR Form C	\$750,00
172502	Expanded Relays Option Kit, eight-channel, 0.9A 200VPK, SSR form C	€1.033,00
172492	Expanded Relays Option Kit, four-channel, 12A 5V, momentary	€627,00
172495	Expanded Relays Option Kit, eight-channel, 12A 5V, momentary	€648,00
172490	Expanded Relays Option Kit, four-channel, 12A 5V, latching relays	€644,00
171676	Expanded Relays Option Kit, eight-channel, 12A 5V, latching relays	€696,00

\* ScaleConnect app only works with certain Android devices. Please contact MSI for potential applications.

# 882D Belt Scale Integrator



## Standard Features

- LCD display, seven-digit, seven-segment weight display, 3 x 20 pixelated prompt area
- RS-232 or RS-485 serial port
- USB device port connects directly to a PC
- Ethernet TCP/IP polled or continuous
- AC or DC models
- Hardware slot for two option card
- Operator functions through menu key for audit trail, preset tare, accumulator, time & date and setpoints
- Audit trail tracking for configuration and calibration changes. Password protection for user and configuration changes
- Setpoints for control and alarms
- Four onboard digital I/O channels
- Four programmable ticket formats up to 1.000 characters
- Filter settings for light, medium and heavy noise
- Speed inputs

## Specification Options

### Analog Output:

16-bit resolution, 0-10 VDC, 0-20 mA, 4-20 mA

### Relay Board:

Four dry contact relays; DC Max: 30 VDC at 3 amps  
AC max: 250 VAC at 3 amps per contact

### EtherNet/IP Interface:

According to EN 50325-2

### Profinet Interface:

According to IEC 61784 (CPF-3/3)

### Modbus/TCP Interface:

Up to 8 bytes of I/O data, 100 Mbps full duplex Ethernet

### DeviceNet Interface:

According to EN 50325-2

### Profibus DP Interface:

According to EN 50170

### EtherCAT

According to IEEE 802.3

### Digital I/O

24 channel I/O expansion boards available

## Specifications

### Power:

Input voltages: 100-240 VAC; 9-36 VDC  
Input frequency: 47-63 Hz

### Power Consumption:

AC: 15 watts; DC: 20 watts

### Excitation Voltage:

10 VDC 8 x 350  $\Omega$  (16 x 700  $\Omega$ ) load cells;

### Analog Signal Input Range:

-45 mV to 45 mV

### Analog Signal Sensitivity:

0,3  $\mu$ V/graduation minimum at 7,5 Hz;  
1,0  $\mu$ V/graduation typical at 120 Hz

### Sample Rate:

7,5 to 120 Hz, software selectable

### Resolution:

Internal: 8 million counts 23 bit weight display:  
100.000

### System Linearity:

$\pm$  0,01% full scale

### Digital I/O:

Four I/O onboard primary keys, pseudo functions,  
batching functions

### Circuit Protection:

18 KV, 10 V/meter

### Communication Ports:

RS-232 full duplex or RS-485 half duplex; USB  
micro A/B connector 2.0; Ethernet TCP/IP

### Pulse Input:

Dual inputs for redundancy

### Display:

LCD display, seven-digit, seven-segment weight  
display, 3 x 20 pixelated prompt area

### Status Annunciators:

Load, total, rate, speed, zero

### Keyboard:

Flat membrane panel, tactile feel

### Operating Temperature:

Industrial: -10° C to 50° C

### Dimensions (W x H x D):

250,7 mm x 238,3 mm x 110 mm

### Weight:

5 kg

### Material:

Stainless steel

### Rating:

IP66

### Warranty:

Two-year limited warranty

### Approvals:

CE Marked (pending)  
UL/c-UL Listed (pending)

## Approvals



# 882D Belt Scale Integrator

## Part Number/Price

Part #	Description	Price
<b>Integrators</b>		
177708	120VAC	€1.829,00
180847	220VAC Euro power cord	€1.829,00
184683	9-36VDC	€1.972,00

## Options/Accessories

Part #	Description	Price
190527	882D option, digital I/O	€309,00
190528	882D option, single analog out	€342,00
190529	882D option, relay interface	€404,00
<b>Network Cards</b>		
190530	882D option, Ethernet/IP	€570,00
190531	882D option, DeviceNet	€547,00
190532	882D option, ProfiNet	€547,00
190534	882D option, Profibus	€547,00
190533	882D option, Modbus TCP	€547,00
190535	882D option, EtherCAT	€547,00

# SCT-1100 and SCT-2200

Signal Conditioning Transmitter/Indicator

**APPROVALS**



SCT1100-AN with Analog Output

**APPROVALS**



SCT2200 with EtherNet/IP Fieldbus Module

	SCT-1100 Specifications	SCT-2200 Specifications
<b>Power</b>	12/24 VDC, Power Consumption: 70 mA min – 100 mA max	12/24 VDC, Power Consumption: 70 mA min – 100 mA max
<b>Excitation Voltage</b>	5VDC, 120 mA, 8 x 350 Ω	5 VDC, 120 mA, 8 x 350 Ω
<b>Analog Signal Input Range</b>	± 39 mV	± 39 mV
<b>Analog Signal Sensitivity</b>	0.03 µV/graduation minimum 0.3 µV/graduation recommended	0.03 µV/graduation minimum 0.3 µV/graduation recommended
<b>A/D Sample Rate</b>	Four channel A/D 24-bit sigma-delta conversion, up to 200 conv. /sec. auto select	One channel A/D 24-bit sigma-delta conversion, up to 200 conv. /sec. auto select
<b>Resolution</b>	Internal resolution: 1.5 million counts Weight display resolution: 800,000	Internal resolution: 1.5 million counts Weight display resolution: 800,000
<b>Digital Inputs/Outputs</b>	Two inputs: 12/24 VDC Two outputs: 150 mA 48 VAC/ 150 mA 60 VDC	Two inputs: 12/24 VDC Two outputs: 150 mA 48 VAC/ 150 mA 60 VDC
<b>Serial Port</b>	(1) RS-485, (1) RS-232	(1) RS-485, (1) RS-232
<b>Analog Output (if equipped)</b>	Opt isolated, 16-bit 0-20mA, 4-20mA (Maximum 350 ohm) 0-5VDC, 0-10VDC (Minimum 10,000 ohm)	Opt isolated, 16-bit 0-20mA, 4-20mA (Maximum 350 ohm) 0-5VDC, 0-10VDC (Minimum 10,000 ohm)
<b>Display</b>	Six-digit 0.51 in (13 mm), red LED Annunciators: Net, center of zero, stability	Six-digit 0.31 in (8 mm), red LED Annunciators: Net, center of zero, stability
<b>Keyboard</b>	Five key, membrane panel, tactile feel Zero (Down), Tare (Up), Mode (Right), Print (Enter), C (On/Off)	Five key, tactile feel Zero (Down), Tare (Up), Mode (Right), Print (Enter), C (On/Off)
<b>Temperature &amp; Humidity</b>	Working Temperature: -15° C to 40° C (5° F to 104° F) Humidity: 85% non-condensing	Working Temperature: -10° C to 50° C (14° F to 122° F) Humidity: 85% non-condensing
<b>Dimensions (W x H x D)</b>	4.17 in x 3.54 in x 2.28 in (106 mm x 90 mm x 58 mm)	0.98 in x 4.52 in x 4.72 in (25 mm x 115 mm x 120 mm)
<b>Weight</b>	1 lb (0.5 kg)	1 lb (0.5 kg)
<b>Rating/Material</b>	NEMA Type 1 plastic pluggable connectors	NEMA Type 1 plastic pluggable connectors
<b>Warranty</b>	One-year limited warranty	One-year limited warranty

**Standard Features**

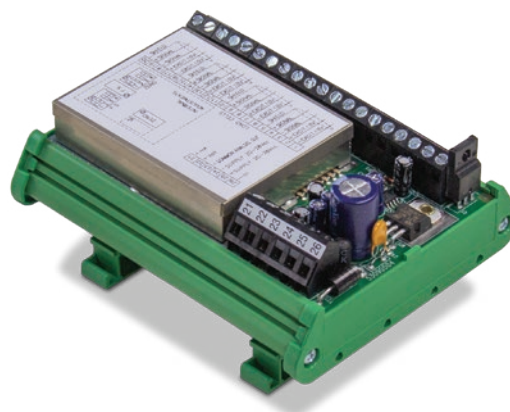
- Up to four independent scales or four load cell inputs
- Quick menu for real and theoretical calibration
- Red LED display (13mm) and six LEDs show active functions
- Standard DIN rail-mounting with power supply and enclosures
- Configurable calibration and setup parameters from keyboard
- Up to three calibration linearization points or three from the keyboard
- Reading of the net, gross and tare weights, clearing, semi-automatic and presettable tare, scale switch, setting of outputs application thresholds
- Diagnostic information via serial port, message display, printing, setting of APW in counting mode, simulation of key pressure

**Standard Features**

- HUB Mode connects up to 16 transmitters to one fieldbus
- Quick menu for real and theoretical calibration
- Red LED display with six-digits (8 mm) and six LEDs show active functions
- Standard DIN rail mounting with power supply and enclosures
- Configurable calibration and setup parameters from keyboard
- Up to three calibration linearization points or three from the keyboard
- Reading of the net, gross and tare weights, clearing, semi-automatic and presettable tare, scale switch, setting of outputs application thresholds
- Diagnostic information via serial port, message display, printing, setting of APW in counting mode, simulation of key pressure, Modbus RTU
- Double RS-485 port for a quick network connection
- Printer management on second serial port available
- Multi-range function allows for subdividing the scale capacity in two, each up to 3,000 divisions

## SCT-3300

Signal Conditioning Transmitter/Indicator



SCT-3300 Specifications	
Power	Input: 20-28 VDC Power consumption: 8W
Excitation Voltage	10VDC, 170 mA, 6 x 350 $\Omega$
Analog Signal Input Range	3.5 to 24 mV
Analog Signal Sensitivity	0.1 $\mu$ V/graduation minimum 1.0 $\mu$ V/graduation recommended
A/D Sample Rate	300 Hz
Resolution	System linearity: $\pm$ 0.01% full scale
Analog Output (if equipped)	Optoisolated 0-20 mA, 4-20 mA (max 300 ohm) 0-10 VDC (min 10,000 ohm)
Temperature & Humidity	Working temperature: 14° F to 122° F (-10° C to 50° C) Humidity: 85% non-condensing
Dimensions (W x H x D)	4.56 in x 3.72 in x 2.4 in (114 mm x 93 mm x 60 mm)
Weight	0.5 lb (0.2 kg)
Rating/Material	DIN rail mount: NEMA Type 1
Warranty	One-year limited warranty

### Standard Features

- Powers up to six (350 ohm) load cells in parallel (with a 24-bit A/D converter)
- A/D converter 24-bit (16,000,000 points)
- 12-bit analog output: 0-20 mA, 4-20 mA, 0-10 V
- Mounting on Omega/DIN rail for back panel or junction box
- IP67-rated enclosed versions

# SCT-1100, SCT-2200 and SCT-3300 Advanced Series

Signal Conditioning Transmitter/Indicator

## SCT-1100

### Part Number/Price

Part #	Description	Est. Weight	Price
182588	Indicator, SCT1100-AN four load cell input with analog output	0,5 kg	€385,00

## SCT-2200

### Part Number/Price

Part #	Description	Est. Weight	Price
<b>Transmitters</b>			
182587	Indicator, SCT2200 for scale input to be used with fieldbus module	0.5 kg	€276,00
182589	Indicator, SCT2200-AN Analog Output	0.5 kg	€385,00
<b>Fieldbus</b>			
182592	Fieldbus, SCT2200,Profinet Module	0.5 kg	€471,00
182594	Fieldbus, SCT2200, Wi-Fi Module	0.5 kg	€437,00
182593	Fieldbus, SCT2200, Profibus Module	0.5 kg	€300,00
182591	Fieldbus, SCT2200, EtherNet/IP Module	0.5 kg	€471,00
182596	Fieldbus, SCT2200, DeviceNet Module	0.5 kg	€471,00
182598	Fieldbus, SCT2200, EtherCAT Module	0.5 kg	€471,00
182597	Fieldbus, SCT2200, CANopen Module	0,5 kg	€471,00
182599	Cable (needed to connect SCT-2200 indicator to fieldbus module)	0,5 kg	Consult
<b>Power Supply</b>			
88792	12VDC 1.2A DIN rail mounted power supply	0,5 kg	€124,00
119244	24VDC 1.3A DIN rail mounted power supply	0,5 kg	€143,00

#### How to Order the SCT-2200

Order SCT-2200 transmitter.

Order fieldbus module (HUB mode connects up to 16 transmitters to one fieldbus module). Order cables: (Number of SCTs — 1) + (1 for Fieldbus).

## SCT-3300

### Part Number/Price

Part #	Description	Est. Weight	Price
<b>Transmitters</b>			
188725	Indicator, SCT3300 four load cell input with analog output	0,5 kg	€290,00

### Power Supply

### Part Number/Price

Part #	Description	Est. Weight	Price
88792	12VDC 1.2A DIN rail mounted power supply	0,5 kg	€124,00
119244	24VDC 1.3A DIN rail mounted power supply	0,5 kg	€143,00



# SCT-100

## Digital Weight Indicator



### Standard Features

- Five-key waterproof keypad
- Six-digit 20,0mm LED screen with six LEDs showing active functions
- Selectable functions: high resolution x 10, net/gross, lb/kg conversion, accumulation, formulation, counting, hold, peak
- IP68, AISI304 stainless steel enclosure
- 212 x 169,5 x 91 mm, fitted with support bracket
- Theoretical calibration
- Panel mount ability with optional hardware

### Part Number/Price

Part #	Description	Price
191650	SCT-100, 12-24VDC	€475,00
191651	SCT-100, 12-24VDC, with analog output	Consult

### Options/Accessories

Part #	Description	Price
185300	Alibi memory	€105,00
193747	RJ11 serial cable with PG9, 1.5 m	Consult
193746	DB9/RJ11 serial cable, 1.5 m	Consult
193745	Converter cable with PG9 USB/RJ11 connector, 1.5 m	Consult
193500	EPROM	Consult

### APPROVALS



### Specifications

#### Keyboard:

Five key, membrane panel, tactile feel  
Zero (Down), Tare (Up), Mode (Right), Print (Enter), C (On/Off)

#### Display:

Six-digit (13 mm), red LED  
Annunciators: Net, center of zero, stability

#### Power:

12/24 VDC,  
Power Consumption: 70 mA min – 100 mA max

#### Temperature & Humidity:

Working Temperature: -15° C to 40° C  
Humidity: 85% non-condensing

#### Analog Signal Input Range:

± 39 mV

#### Analog Signal Sensitivity:

0,03 µV/graduation minimum  
0,3 µV/graduation approved

#### A/D Sample Rate:

Four channel A/D 24-bit sigma-delta conversion,  
up to 200 conv. /sec. auto select

#### Resolution:

Internal resolution: 3 million counts  
Weight display resolution: 1.000.000 minimum

#### Excitation:

5 VDC, 120 mA, 8 x 350 Ω

#### Digital Inputs/Outputs:

Two inputs: 12/24 VDC  
Two outputs: 150 mA 48 VAC/ 150 mA 60 VDC

#### Serial Port:

1-RS-485, 1-RS-232

#### Analog Output:

4 - 20 VAC  
0-5 VDC  
0 - 10 VDC  
16 bit analog output

#### Rating/Material:

NEMA Type 1 plastic pluggable connectors

#### Warranty:

One-year limited warranty

## Specifications

**Enclosure:**

ABS IP54 case

**Keyboard:**

Five-key functional waterproof, On/Off, Zero, Tare, Mode and Print

**Display:**

Six-digit 25 mm LCD backlight

**Units Displayed:**

Kilograms, pounds, tons, grams

**Power:**

12 VDC with included external power adapter (240 VAC, 50/60 Hz)  
4-AA batteries

**Operating Temperature:**

Legal for Trade: -10° C to 40° C  
Industrial: -10° C to 60° C

**A/D Inputs:**

24 bit, four-channel converter, max. 200 conv./sec. autoselect, and up to eight signal linearisation points

**Resolution:**

Up to 1.000.000 displayable divisions with internal resolution up to 3.000.000 points

**Load Cell Excitation:**

5 VDC

**Data I/O:**

(2) RS-232/C (1) printer (1) PC

**Optional Communications:**

RS-485, Bluetooth

**Printer Compatibility:**

LP542S

**Warranty:**

Two-year

**Approvals:**

EC Type Approval (EN45501)



## Standard Features

- Five-key waterproof keypad
- High contrast six-digit and icon, 25 mm LCD backlit screen
- Selectable function modes: high resolution x 10, net/gross, lb to kg conversion, total, formulation, +/- controller with quick target and threshold input, percentage weighing, piece counter, hold
- Easy-to-clean ABS IP54 case, resistant to harsh and corrosive environments

## APPROVALS



## Part Number/Price

Part #	Description	Price
185279	RLT-200, 5-12VDC, 4AA batteries	€188,00

## Options/Accessories

Part #	Description	Price
185299	RS-485	€34,00
185300	Alibi memory (includes clock)	€105,00
181885	Bluetooth	Consult
193500	EPROM	Consult

# RLT-300

Digital Weight Indicator



## Standard Features

- Five-key waterproof keypad
- High contrast six-digit and icon, 25 mm LCD backlit screen
- Selectable function modes high resolution x 10, net/gross, lb to kg conversion, total, formulation, +/- controller with quick target and threshold input, percentage weighing, piece counter, hold
- Easy-to-clean ABS IP68 enclosure, resistant to harsh and corrosive environments

## APPROVALS



## Part Number/Price

Part #	Description	Price
189060	RLT-300, battery powered	€265,00

## Options/Accessories

Part #	Description	Price
185299	RS-485	€34,00
185300	Alibi memory (includes clock)	€105,00
181885	Bluetooth	€86,00
193500	EPR0M	Consult

## Specifications

### Enclosure:

ABS IP68 case

### Keyboard:

Five-key functional waterproof, On/Off, Zero, Tare, Mode and Print

### Display:

Six-digit 25 mm LCD backlight

### Units Displayed:

Kilograms, pounds, tons, metric tons, kilonewtons

### Power:

Includes internal rechargeable battery and external battery charger

### Operating Temperature:

Legal for Trade: -10° C to 40° C  
Industrial: -10° C to 60° C

### A/D Inputs:

24 bit, four-channel converter, max. 200 conv./sec. autoselect, and up to eight signal linearisation points

### Resolution:

Up to 1.000.000 displayable divisions with internal resolution up to 3.000.000 points

### Load Cell Excitation:

5 VDC

### Data I/O:

(2) RS-232/C bidirectional port (1) IPC (1) printer

### Optional Communications:

RS-485, Bluetooth

### Printer Compatibility:

LP542S

### Warranty:

Two-year

### Approvals:

EC Type Approval (EN45501)

## Specifications

### Enclosure:

IP68 stainless steel case with sealed rubber gasket

### Keypad:

17-key functional waterproof, Zero, Automatic Tare, Presetable Tare, Print, On/Off, Database of 30 Tares, Two Numeric IDs, Keyboard Lock, and Repetition of last printout

### Display:

Six-digit 25 mm LCD backlight

### Units Displayed:

Kilograms, pounds, tons, grams

### Power:

110-240 VAC internal power adapter

### Operating Temperature:

Legal for Trade: -10° C to 40° C  
Industrial: -10° C to 60° C

### A/D Inputs:

24 bit, four-channel converter, max. 200 conv./sec. autoselect, and up to eight signal linearisation points

### Resolution:

Up to 1.000.000 displayable divisions with internal resolution up to 3.000.000 points

### Load Cell Excitation:

5 VDC

### Data I/O:

(2) RS-232/C bidirectional port (1) IPC (1) printer

### Optional Communications:

RS-485, Bluetooth

### Warranty:

Two-year

### Approvals:

EC Type Approval (EN45501)



## Standard Features

- 17-key waterproof keypad
- High contrast six-digit and icon, 25 mm LCD backlit screen
- Selectable function modes high resolution x 10, net/gross or lb to kg conversion, total, formulation, +/- checkweighing, percentage weighing, counting
- IP68 stainless steel case with sealed rubber gasket

## APPROVALS



## Part Number/Price

Part #	Description	Price
185262	RLT-400, 110-240 VAC	€344,00

## Options/Accessories

Part #	Description	Price
185348	Digital I/O	€157,00
185298	Ethernet	€190,00
185299	RS-485	€34,00
185300	Alibi memory (includes clock)	€105,00
181885	Bluetooth®	€86,00
185360	UK power cord	€2,90
185361	Swiss power cord	€2,90
193500	EPRM	Consult

# Counterpart®

Configurable Counting Indicator



## Specifications

### Power Source:

Input: 100-240 VAC, 47-63 Hz, 5 watts, US power cord  
Output: 9-12 V, 1,5 A max.

### Excitation Voltage:

5 VDC

### Analog Signal Input Range:

0-4,5 mV/V

### Analog Specifications:

Grad minimum: 0,3  $\mu$ V/grad  
Input sensitivity: 1,5  $\mu$ V/grad recommended  
Zero adjustment range: 0-100% or per region settings  
A/D conversion rate: 7,5/15/30 samples per second  
Load cells per scale: 8 x 350  $\Omega$ ; 16 x 700  $\Omega$   
Scale channels: one or two  
Linearity:  $\pm$  0,017 full scale

### Circuit Protection:

RFI, EMI, ESD protection

### Digital I/O:

Four

### Display:

Viewing area: 240 x 64 pixels, transmissive VGA LCD with adjustable contrast

### Keyboard:

24 buttons, full keypad-alphanumeric

### Resolution:

Weight display resolution: up to 100.000 graduations  
Counting resolution: 1/1.000.000

### Communications and Setpoint:

Two RS-232 ports supports up to 115, 200 bps, 20 mA, Ethernet port, setpoint output

### Status Enunciators:

PCS, motion, low battery, insuff, recomp, scale number, gross, net, zero

### Units of Measure:

Grams, kilograms

### Prints:

Standard EPL label format; format is changeable to work with virtually any printer

### Optional Battery:

Type: lithium ion, charge time: six to eight hours, charge cycles: 400-1200  
Estimated runtime: 24-32 hours with one 350  $\Omega$  load cell base

### Operating Temperature:

0° C to 40° C

### Operating Humidity:

85%

### Physical Dimensions:

Indicator only: 311 x 159 x 102 mm

### Warranty:

Two-year limited warranty

### Approvals:

CE  
UL listed

## Standard Features

- AC operated (battery operation is optional)
- LCD graphic transmissive display for indoor viewing
- Lb/kg/oz/g weight display conversion
- Single- or dual-channel models with serial scale input
- Mix and match platforms with console
- Four setpoint outputs for counting
- Two RS-232 ports for connecting peripherals
- Ethernet TCP/IP
- Scanner input (RS-232)
- PC software utility (Revolution®) for setup
- 150 item memory

## Options

- Battery
- USB for USB keyboard
- WeighVault™ for Counterpart

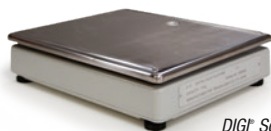
## Approvals\*



Additional models are available with the approvals shown here  
Please consult the factory for part numbers.



Measurement  
Canada  
Approved



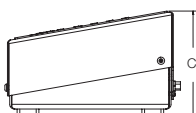
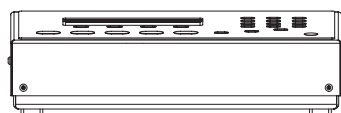
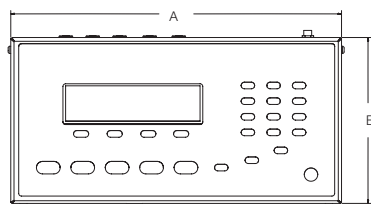
DIGI Scale Base



Shown with BenchMark Scale Base and Bracket

## Dimensions

A	312 mm	C	100 mm
B	157 mm		



### Part Number/Price

Part #	Model #	Capacity	Platter Dimensions	Est. Weight	Price
132429	CP single-channel, EU power cord	Console only	n/a	5 kg	€946,00
132431	CP dual-channel, EU power cord	Console only	n/a	5 kg	€974,00

### Options/Accessories

Part #	Description	Price
124692	Rechargeable lithium-ion battery option	€281,00
53828	14-Pin Y-cable, connects 2 remote DIGI bases	€81,00
32375	Connector, 14-Pin Amphenol load cell (can be soldered to home run cable)	€20,00
125062	Ethernet quick access coverplate for Counterpart	€19,00
130537	USB for Counterpart, keyboard only	€143,00
125079	Quick access 9-Pin cover plate	€9,50
120767	Quick access 14-Pin Amphenol cover plate	€15,00
125495	Wireless LAN card Wi-Fi 802.11 A/B, optional kit	€542,00
125546	WeighVault™ for Counterpart	€238,00
77925	Revolution® PC software utility for setup	€34,00
118677	Operators manual (Part #129606 Spanish operator's manual)	€24,00
121459	Front mount bracket for Benchmark™ scales, S-XL bases	€48,00
121474	Firmware download cable	€34,00
121501	Stand, angled free standing for table top	€76,00
128063	Power supply, 12 V (power cord sold separately)	€53,00
72512	Power cord	€20,00

# Relays and Racks

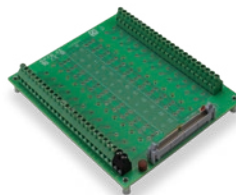
Input/Output Components



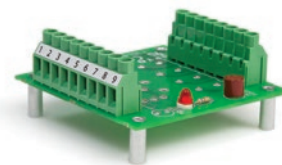
OPTO 22 16-channel relay rack



OPTO 22 G4 PN45408

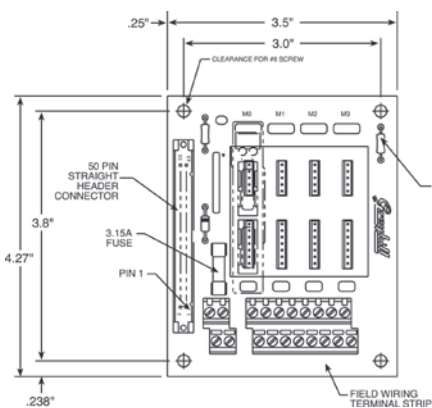


OPTO 22 24-channel relay rack

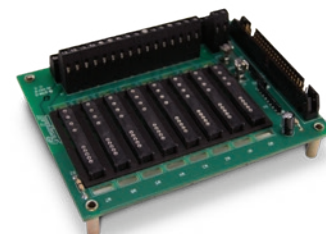
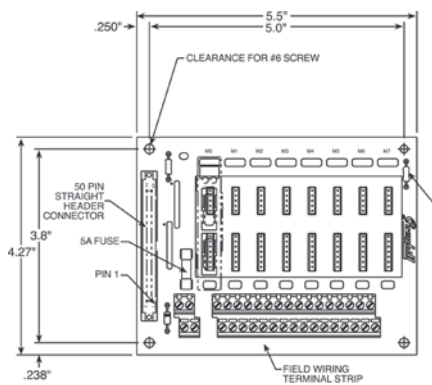


OPTO 22 G4 PN15973

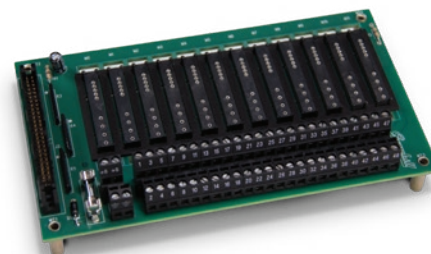
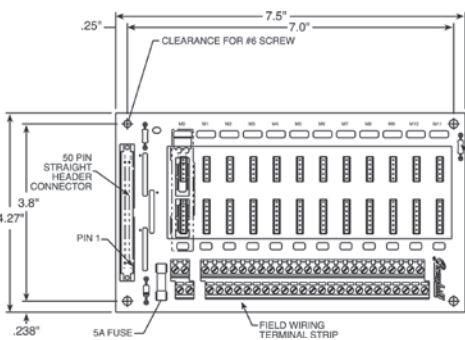
# Grayhill Relays and Racks



8-channel relay rack



16-channel relay rack



24-channel relay rack

# Input and Output Components/ Grayhill and OPTO 22 Relays and Racks

## Part Number/Price

Part #	Description	Price
<b>Input/Output Component</b>		
43942	Allen-Bradley® multi-function relay with digital display	€395,00
29616	Dayton multi-function relay	€195,00
<b>Other Relays</b>		
15952	Eight-pin octal relay, AC/DC output, 10A, 120 VAC coil	€55,00
15960	Eight-pin octal relay, AC/DC output, 10A, 6 VDC coil	€26,00
15961	Eight-pin octal socket	€20,00
<b>Grayhill Relays and Racks</b>		
52332	Two-channel input relay, 2,5-28 VDC	€43,00
52318	Two-channel input relay, 120 VAC	€43,00
52319	Two-channel input relay, 240 VAC	€43,00
52331	Two-channel input relay, 10-32 VDC	€43,00
52316	Two-channel output relay, 120-140 VAC at 2 amp	€58,00
52317	Two-channel output relay, 240-280 VAC at 2 amp	€62,00
71376	Two-channel output relay, 3-60 VDC t 1 amp	€60,00
71377	Two-channel output relay, 0-200 VDC/VAC at 1,5A/10W (dry contact)	€77,00
52331	Two-channel input relay, 10-32 VDC	€43,00
84698	Two-channel output relay, inductive load, 120-140 VAC at 2A	€60,00
84699	Two-channel output relay, inductive load, 240-280 VAC at 2A	€95,00
52312	Eight-channel relay rack, 920i panel mount, wall mount requires 50-Pin connector (4 slots)	€147,00
52314	16-channel relay rack, 920i panel mount, wall mount requires 50-Pin connector (8 slots)	€271,00
52315	24-channel relay rack, 920i panel mount, wall mount requires 50-Pin connector (12 slots)	€437,00
46189	Jumper strap, 10 position for Grayhill	€4,80
108396	Digital input 5 VDC, 15-30 VAC/10-32 VDC	€34,00
108397	Digital output 5 VDC, 3-60 VDC	€34,00
70780	Cable, 50-Pin flat ribbon for digital I/O, 609,6 mm	€48,00
70779	Cable, 50-Pin round ribbon for digital I/O with cord grip, 1.524 mm	€148,00
72442	Cable, 50-Pin round ribbon for digital I/O without cord grip, 1.524 mm	€143,00
93577	Cable, 50-Pin flat ribbon for digital I/O, 787,4 mm	Consult
94384	Cable, 50-Pin flat ribbon for digital I/O, 1.270 mm	Consult

## OPTO 22 Relays and Racks

Part #	Description	Price
15969	G4IDC5 10-32 VDC Input relay module, white (N/O)	€36,00
15970	G40DC5R dry contact 100 VDC/1,5A output, red (N/O)	€36,00
22848	G40DC5R5 dry contact 100 VDC/1,5A output, red (N/C)	€36,00
15971	G40AC5 115 VAC Output relay module, black (N/O)	€36,00
15972	G4IAC5 115 VAC Input relay module, yellow (N/O)	€36,00
22847	G40AC5A5 115/230 VAC Output relay module, black (N/C)	€36,00
36632	G40AC5A 115/230 VAC Output relay module, black (N/O)	€34,00
36631	G4IAC5A 230 VAC Input relay module, yellow (N/O)	€36,00
26834	Fuse, 1A 250V (for PN 15970 and PN 22848)	€7,20
21735	Fuse, 4A 250V (for PN 15971, PN 22847 and PN 36632)	€9,50
16478	Quencharc® arc suppressor	€11,00
101923	Remote relay box, does not include relay	€224,00
15973	Four-channel relay rack, 83 mm x 83 mm	€100,00
45408	Four-channel relay rack 155 mm x 30 mm (non UL)	€151,00
33206	16-channel relay rack	Consult
33205	24-channel relay rack	Consult
99032	Adapter plate, for four-channel Opto rack 33490	€4,80
155253	Board assembly, DWM IV, eight-channel, Opto 22 GU series compatible, (non UL)	€148,00
<b>Relay Boards Fixed Dry Contact Relay</b>		
30549	2-channel 120-240 VAC or 30 VDC/5A	€151,00

NEW

# 882IS/882IS Plus

Intrinsically Safe Digital Weight Indicator



## Standard Features

- 0.8in, seven-digit, seven-segment LCD display with white LED backlight
- Stainless steel IP66 enclosure
- T4 temperature rating
- Front panel digital calibration
- Automatic zero and span temperature compensation
- Excitation for four 350-ohm or eight 700-ohm load cells
- Gross/tare/net computation
- Tilt stand
- Numeric keypad (882IS Plus only)
- Duplex fiber optic interface
- Power ON/OFF; battery save mode
- I/O module option: one serial port, optional analog outputs, optional fieldbus cards
- Time & date (requires I/O module)
- FM Entity Approved for use in hazardous locations per Rice Lake Weighing Systems control drawing file number 180948
- OPTIONS
- Battery option, IS6V2 VDC
- Battery charger, 6 VDC
- Power supply, 882IS mb-EPS-100-240-X2, dual output 6,8 VDC 200mA
- Cable, M12 power 22 in hazardous location (for battery version)
- Cable, M12 power 10 ft hazardous location
- Cable, M12 power 50 ft hazardous location
- Cable, M12 power 100 ft hazardous location
- Tilt stand, 882IS battery option
- Module, 882 smart I/O interface

Rice Lake Weighing Systems® warrants that all Rice Lake Weighing Systems intrinsically safe (IS) equipment and systems installed by a qualified electrician will operate per written specifications as confirmed by the distributor/OEM and accepted by Rice Lake Weighing Systems. All systems and components are warranted against defects in materials and workmanship for one year. All Rice Lake Weighing Systems intrinsically safe equipment carries a Factory Mutual approval and is documented on various control drawings. Each device is manufactured by a Rice Lake Weighing Systems factory authorized personnel. To preserve the warranty and Factory Mutual approval, all repairs or replacement of circuit boards or components housed within the enclosures must be performed by Rice Lake Weighing Systems factory authorized personnel.



**CAUTION!** The equipment contained within this Explosive Environment section requires greater attention to specification and installation guidelines. Improper specification, installation or service of these products can result in loss of equipment or serious injury.

## Specifications

### Load Cell Excitation:

3,0 VDC at 87,5 Ω  
4,6 VDC at 700 Ω

### Load Cell Current:

34 mA (4 x 350 Ω load cells) or (8 x 700 Ω load cells)

### Load Cell Cabling:

Four and six-wire with remote sensing (recommended)

### Analog Signal Input Range:

0,6 mV/V - 4,0 mV/V

### Analog Signal Sensitivity:

0,2 μV/graduation minimum  
1,5 μV/graduation recommended

### Conversion Rate:

60 updates/second

### Resolution:

10.000 displayed graduations (Legal for Trade),  
1.000.000 expanded  
The maximum number of allowed graduations will vary by application

### Display Increments:

1, 2, 5

### Display:

Seven-digit, seven-segment LCD display  
121 x 24 dot  
matrix messaging area with white LED backlight

### Decimal Point:

Configurable with dead zeros

### Unit Switching:

Configurable for two units of measurement with front panel operation with conversion for tare and setpoint values

### Front Panel Control Switches:

882IS: Zero, Gross/Net, Tare, Print, Units Conv, Start, Stop  
882IS Plus: Zero, Gross/Net, Tare, Print, Units Conv, Start, Stop, Full numeric keypad

### Front Panel:

Ten-button plus power button flat membrane panel

### Front Panel Annunciators:

Center Zero, Gross, Net, Motion, lb, kg, oz, g

### Motion Band:

Configurable to ± 1 or ± 3 graduations,  
1 second delay (or Off)

### Power Input:

5,8-7,9 VDC, 100-175 mA  
, maximum power consumption 0,25 watts

### Operating Temperature:

-10° C to 40° C legal

### Electrical Operating Temperature:

-10° C to 40° C legal

### Rating/Material:

Stainless steel IP66 enclosure

### Optional Battery:

Operating times: 4 x 350 Ω = 60 hrs.  
1 x 350 Ω = 80-100 hrs.  
Charging times: 8-10 hrs

### Weight:

2,8 kg

### Warranty:

One-year limited warranty

### Intrinsic Safety:

FM/cFM:  
Class I,II,III, Division 1, Groups ABCDEFG T4  
Class I, Zone 0 AEx/Ex ia IIC T4 Ga  
Zone 20 AEx/Ex ia IIIC T135° C Da  
Ta = -10° C to +40° C (14° F to 104° F)  
ATEX/IECEx:  
II 1 G Ex ia IIC T4 Ga  
II 1 D Ex ia IIIC T135° C Da

### Approvals:

UL/cUL Listed\*  
FM Entity  
ATEX  
IECEx  
NTEP  
Measurement Canada

\*UL is only applicable to 882IS I/O and battery charger

## Approvals



## IECEx



Measurement  
Canada  
Approved

\*UL is only applicable to  
882IS I/O and battery charger

**NEW**  
**882IS/882IS Plus**  
Intrinsically Safe Digital Weight Indicator

INDICATORS / CONTROLLERS

www.ricelake.com/global | Phone: +31 (0) 26 472 1319

**RICE LAKE**

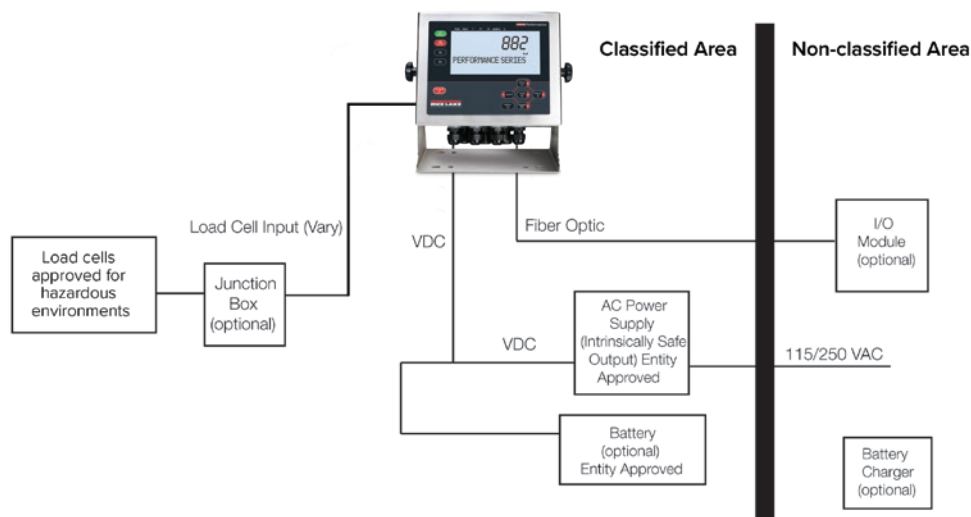
**Part Number/Price**

Part #	Description	Price
<b>882IS</b>		
195091	882IS 7.5VDC with standard tilt stand	€1.307,00
185288	882IS with battery and charger (North American plug)	€2.114,00
194231	882IS with battery and charger (EU plug)	€2.114,00
194232	882IS with battery and charger (UK plug)	€2.114,00
196273	882IS with battery and charger (AU plug)	Consult
185290	882IS with power supply	€2.314,00
194235	882IS indicator with power supply and metric thread adapter	€2.361,00
<b>882IS Plus</b>		
195092	882IS Plus 7.5VDC with standard tilt stand	€1.307,00
185291	882IS Plus with battery and charger (North American plug)	€2.114,00
194233	882IS Plus with battery and charger (EU plug)	€2.114,00
194234	882IS Plus with battery and charger (UK plug)	€2.114,00
196274	882IS Plus with battery and charger (AU plug)	Consult
185293	882IS Plus with power supply	€2.314,00
194236	882IS Plus indicator with power supply and metric thread adapter	€2.361,00

- † US plug (NA) - Type B
  †† Euro Plug - Type E
- ††† BS1363 (UK) - Type G
  †††† AS 3112 (Australian) - Type I

**Options/Accessories**

Part #	Description	Price
180831	Battery option, IS6V2	€594,00
194191	Battery charger, IS6V2, 100-240VAC NEMA 5-15 (North American plug)	€233,00
194189	Battery charger, IS6V2 100-240VAC (EU plug)	€233,00
194192	Battery charger, IS6V2 100-240VAC (UK plug)	€233,00
180837	Power supply, 882IS mb-EPS-100-240-X2, dual output 6.8 VDC 200mA	€898,00
195109	Power supply, 882IS mb-EPS-100-240-X2, dual output 6.8 VDC 200mA, 1/2 in NPT-M20	€946,00
179668	Cable, M12 power 22 in hazardous location (for battery version)	€66,00
179669	Cable, M12 power 10 ft hazardous location	€129,00
179670	Cable, M12 power 50 ft hazardous location	€157,00
179671	Cable, M12 power 100 ft hazardous location	€309,00
163751	Tilt stand, 882IS	€36,00
179678	Tilt stand, 882IS battery option	€38,00

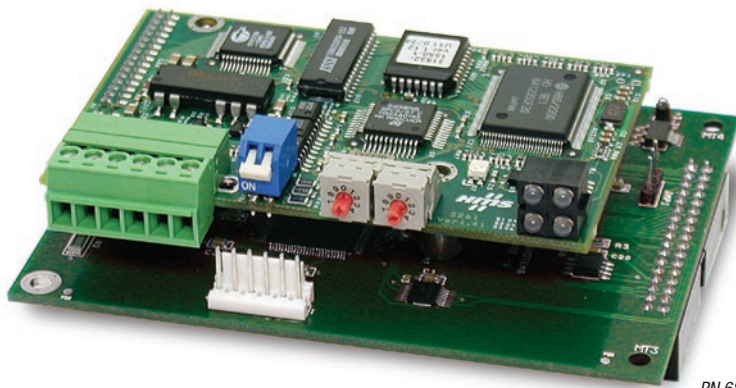


Complete Control Drawings available at [www.ricelake.com](http://www.ricelake.com)

PROTOCOL CARDS

# Profibus® DP Interface

720i™/820i®/920i®



PN 68540

## Part Number/Price

Part #	Description	Est. Weight	Price
68540	Profibus DP interface kit (internal), for use with 720i/820i/920i	1 kg	€665,00

NOTE: Because Profibus DP option boards interface with programs written by non-Rice Lake Weighing Systems parties, please consult factory for latest technical updates before quoting.

## Options/Accessories

Part #	Description	Price
73754	Additional GSD file	€36,00
69948	Additional Profibus DP operating manual, (720i/820i/920i)	€40,00

## Standard Features

- DP intelligent slave
- Standard GSD file on disk
- 128 selectable addresses
- Auto baud rate up to 56K
- Registered with Profibus Trade Organization

## Specifications

### 920i® Power Requirements:

Bus adapter card with DeviceNet Module, DC power  
Supply voltage 6VDC, supplied by 920i bus

**Typical current draw:**  
370 mA

**Power consumption:**  
2,22W

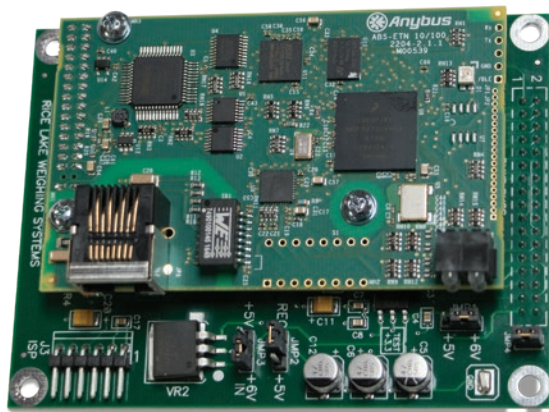
**Operating Temperature:**  
-10° C to 40° C

**Warranty:**  
One-year limited warranty

PROTOCOL CARDS

# Profinet IO Interface

920i®



PN 187816

## Part Number/Price

Part #	Description	Price
187816	Profinet IO protocol card for 920i	€798,00

## Options/Accessories

Part #	Description	Price
187907	Additional Profinet IO operating manual	€34,00
187908	Additional Profinet IO CD	€34,00

## Standard Features

- CE marked and UL conformance
- Onboard diagnostic LED
- Control Protocols
- Profinet protocol for PLC IP addresses settings configurable through web page or Anybus IP configuration utility

## Specifications

### Physical Specifications:

Length: 86 mm  
Width: 54 mm  
Height: 15 mm

### Power Requirements:

+5 VDC ± 5%, powered by indicator

### Power Consumption:

350 mA on the 5V power connection

### Operating Temperature:

-10° C to 70° C

### Non-Operating Temperature:

-25° C to 85° C

### Relative Humidity:

5 - 95% non-condensing

### Diagnostic Leds:

Link status, module status, network status, activity

### Field Bus Interface:

RJ- 45

# EtherNet/IP® Interface

720i™/820i®/920i®

## Standard Features

- Industrial protocol for Allen-Bradley PLC
- IP address settings configurable with onboard DIP switched, web page, or ARP or DHCP
- Supports Rockwell Automation® EtherNet/IP level
- CE marked and UL conformance
- Onboard diagnostic LED
- Control Protocols
- Supports the Modbus/TCP protocol and conforms to Modbus/TCP specification 1.0

## Specifications

### Physical Specifications:

Length: 86 mm  
Width: 54 mm  
Height: 15 mm

### Power Requirements:

+5 VDC ± 5%, powered by indicator

### Power Consumption:

350 mA on the 5V power connection

### Operating Temperature:

-10° C to 70° C

### Non-Operating Temperature:

-25° C to 85° C

### Relative Humidity:

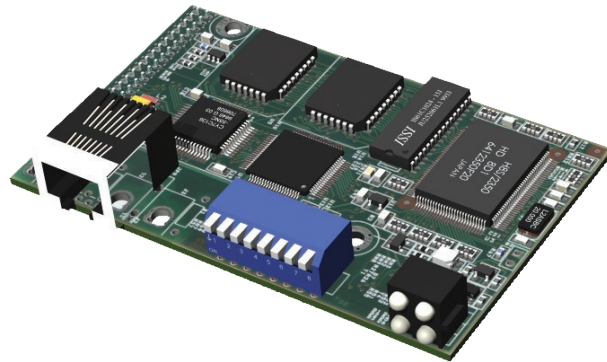
5 - 95% non-condensing

### Diagnostic Leds:

Link status, module status, network status, activity

### Field Bus Interface:

RJ- 45



PN 87803

## Part Number/Price

Part #	Description	Price
87803	EtherNet/IP protocol card for 720i/820i/920i	€798,00

## Options/Accessories

Part #	Description	Price
72763	Additional EtherNet/IP CD	€34,00
88537	Additional EtherNet/IP operating manual	€38,00

## Standard Features

- Supports any serial devices with 7 or 8 data requiring Ethernet access
- Compact size for internal installation in 720i™, 820i® and 920i® indicators
- Can be used in other applications requiring 5-volt power supplied
- 10/100 megabyte through RJ-45 connector or wireless option
- HTTP, serial, telnet and SNMP management

## Specifications

### Supported Protocols:

ARP, UDP, TCP, Telnet, SNMP, ICMP, HTTP, BOOTP, DHCP and TFTP

### Compatibility:

Ethernet: Version 2.0/IEEE 802.3

### Network Interface:

Ethernet: RJ-45 (10/100 Base-T) or AUI (transformer and resistors/capacitors required)

### Serial Interface:

1 serial interface

### Data Rates:

300 bps to 115,2Kbps

### Serial Line Formats:

Characters: 7 or 8 data bits  
Stop bits: 1 or 2  
Parity: odd, even, none

### Diagnostic LEDs:

TX/RX data, Good link, Status, Diagnostics

### Power Requirements:

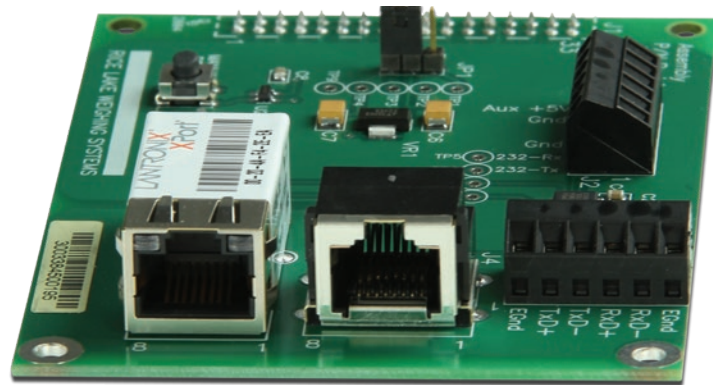
5 V regulated  
250 mA (Ethernet model)

### Operating Temperature:

5° C to 50° C

# Ethernet TCP/IP Interface

720i™/820i®/920i®



PN 71986

## Part Number/Price

Part #	Description	Est. Weight	Price
71986	Ethernet TCP/IP interface for use with 720i/820i/920i	1 kg	€399,00
98057	Wireless Ethernet TCP/IP interface for use with 720i, 820i and 920i	1 kg	€642,00

## Options/Accessories

Part #	Description	Price
72763	Ethernet CD	€34,00
72117	Additional operating manual	€13,00
<b>Cables</b>		
72697	RJ-45 to RJ-45, straight	€38,00
78860	RJ-45 to RJ-45, cross over	€38,00

## PROTOCOL CARDS

**Profibus® DP Interface**

880/1280™

**Part Number/Price**

Part #	Description	Est. Weight	Price
179163	Profibus DP interface kit, for use with 880 indicator	1 kg	€570,00
165795	Profibus DP interface kit for 1280 (single port)	1 kg	€570,00

**Options/Accessories**

Part #	Description	Price
157941	Additional GSD file	€34,00
156784	Additional operating manual	€38,00

**Standard Features**

- DP intelligent slave
- Standard GSD file on disk
- 100 selectable addresses
- Up to 12Mbps baud rate

**Specifications****Dimensions:**

52 x 48 x 19mm

**Power Requirements:**

3,15-3,45 VDC

**Operating Temperature:**

-40° C to 85° C

**Warranty:**

One-year limited warranty

## PROTOCOL CARDS

**Profinet® Interface**

880/1280™

**Part Number/Price**

Part #	Description	Est. Weight	Price
179160	Profinet interface kit for 880 (single port)	1 kg	€570,00
165794	Profinet interface kit for 1280 (single port)	1 kg	€570,00

**Options/Accessories**

Part #	Description	Price
157940	Additional Profinet CD	€34,00
156781	Additional operating manual	€38,00

**Standard Features**

- Profinet communication adapter
- Onboard diagnostic LEDs
- 100Mbps Baud Rate
- Works as an I/O device on the ProfiNet network
- PROFinergy compliant

**Specifications****Dimensions:**

52 x 48 x 19mm

**Power Requirements:**

3,15-3,45 VDC

**Operating Temperature:**

-40° C to 85° C

**IP Address Range:**

Full IP address range DHCP

**Configuration:**

GSDML file

**Connector Type:**

RJ-45 (two with dual port version)

PROTOCOL CARDS  
**MODBUS-TCP® Interface**  
 880/1280™

**Standard Features**

- Active module with serial and parallel application interface
- Complete Modbus-TCP server
- Up to 8 bytes of I/O data in each direction
- Transformer isolated interface 100Mbps full duplex Ethernet
- Onboard diagnostic LEDs
- CE and UL compliant

**Specifications**

**Dimensions:**

52 x 48 x 19 mm

**Power Requirements:**

3,15-3,45 VDC

**Operating Temperature:**

-40° C to 85° C

**Relative Humidity:**

5-95% non-condensing

**Connector Type:**

RJ-45 (two with dual port version)



**Part Number/Price**

Part #	Description	Est. Weight	Price
179161	Modbus-TCP Interface kit for 880 (single port)	1 kg	€570,00
165796	Modbus-TCP Interface kit for 1280 (single port)	1 kg	€570,00

**Options/Accessories**

Part #	Description	Price
157939	Additional Modbus-TCP CD	Consult
156782	Additional operating manual	€38,00

INDICATORS / CONTROLLERS

PROTOCOL CARDS  
**EtherNet/IP® Interface**  
 880/1280™

**Standard Features**

- Industrial protocol for AB PLC
- IP address settings configurable with web page, ARP or DHCP
- Supports Rockwell Automation EtherNet/IP
- Diagnostic LEDs
- CE marked and UL conformance

**Specifications**

**Dimensions:**

52 x 48 x 19 mm

**Power Requirements:**

3,15-3,45 VDC

**Operating Temperature:**

-40° C to 85° C

**Relative Humidity:**

5-95% non-condensing

**Address Range:**

Full IP address range



**Part Number/Price**

Part #	Description	Est. Weight	Price
179159	EtherNet/IP interface kit for 880 (single port)	1 kg	€570,00
165792	EtherNet/IP interface kit for 1280 (single port)	1 kg	€570,00

**Options/Accessories**

Part #	Description	Price
157943	Additional EtherNet/IP CD	€34,00
156861	Additional operating manual	€38,00

www.ricelake.com/global | Phone: +31 (0) 26 472 1319

**RICE LAKE**

A large grid of empty cells for data entry, consisting of 20 columns and 40 rows.

## Specifications

### Power:

5-6 VDC, 7-36 VDC 85-265 VAC

### Excitation Voltage:

Transmitter: +4,8 VDC, 16x 350Ω or 32x 700Ω load cells

### Standard Antenna:

1/2 wave 2dBi, articulated

### Frequency:

Direct sequence spread spectrum at 2,4 GHz, 802.15.4

### Effective Range:

30,5m or more

### Digital I/O:

Three coil relays available on select models and 7000HD units

### Circuit Protection:

RFI, EMI, ESD protection

### Serial Port:

Full duplex RS-232

### Operating Temperature:

-40° C to 85° C

### Enclosure:

NEMA Type 4 (IP66), aluminum black powder coated (excludes wall cube model)  
7000HD and 7001HD: IP68

### Additional RF Options:

Wi-Fi  
Bluetooth  
Cellular (consult)  
802.15.4 FHSS

### Warranty:

One-year limited warranty



## Standard Features

- Works with any basic digital weight indicator
- Excitation to load cell(s) provided by the transmitter, not the indicator
- Each transmitter/receiver set is individually paired
- Auto-off mode - selectable for 15, 30, 45, 60 minutes or off
- Auto-sleep mode - power down during non-use, power up with weight change or key press
- Serial communication cable included with all transmitters

## Additional HD Features

- IP68 milled aluminum enclosure
- Second radio modem available

## Part Number/Price

Part #	Description	Est. Weight	Price
<b>Transmitters</b>			
<b>5-6 VDC Power Input</b>			
160330	Single-channel transmitter, no relays, RF 802.15.4, 2.4 GHz	0,9 kg	€798,00
159207	Four-channel transmitter, no relays, RF 802.15.4, 2.4 GHz	0,9 kg	Consult
161949	Four-channel transmitter, includes three coil relays, RF 802.15.4, 2.4 GHz	0,9 kg	€877,00
176644 *	Single-channel transmitter, no relays, Bluetooth	0,9 kg	Consult
176638 *	Four-channel transmitter, no relays, Bluetooth	0,9 kg	Consult
176641 *	Four-channel transmitter, includes three coil relays, Bluetooth	0,9 kg	Consult
176655	Single-channel transmitter, no relays, Wi-Fi	0,9 kg	€841,00
176648	Four-channel transmitter, no relays, Wi-Fi	0,9 kg	€889,00
176652	Four-channel transmitter, includes three coil relays, Wi-Fi	0,9 kg	€1.012,00
<b>7-36 VDC Power Input</b>			
160329	Single-channel transmitter, no relays, RF 802.15.4, 2.4 GHz	0,9 kg	Consult
159470	Four-channel transmitter, no relays, RF 802.15.4, 2.4 GHz	0,9 kg	€791,00
161951	Four-channel transmitter, includes three coil relays, RF 802.15.4, 2.4 GHz	0,9 kg	€916,00
176645 *	Single-channel transmitter, no relays, Bluetooth	0,9 kg	Consult
176639 *	Four-channel transmitter, no relays, Bluetooth	0,9 kg	Consult
176642 *	Four-channel transmitter, includes three coil relays, Bluetooth	0,9 kg	Consult
176656	Single-channel transmitter, no relays, Wi-Fi	0,9 kg	€889,00
176650	Four-channel transmitter, no relays, Wi-Fi	0,9 kg	€912,00
176653	Four-channel transmitter, includes three coil relays, Wi-Fi	0,9 kg	€1.064,00
<b>85-265 VAC Power Input</b>			
160328	Single-channel transmitter, no relays, RF 802.15.4, 2.4 GHz	0,9 kg	€870,00
159469	Four-channel transmitter, no relays, RF 802.15.4, 2.4 GHz	0,9 kg	€813,00
161950	Four-channel transmitter, includes three coil relays, RF 802.15.4, 2.4 GHz	0,9 kg	€1.041,00
176643 *	Single-channel transmitter, no relays, Bluetooth	1 kg	Consult
176637 *	Four-channel transmitter, no relays, Bluetooth	1 kg	Consult
176640 *	Four-channel transmitter, includes three coil relays, Bluetooth	1 kg	Consult
176654	Single-channel transmitter, no relays, Wi-Fi	1 kg	€912,00
176647	Four-channel transmitter, no relays, Wi-Fi	1 kg	€941,00
176651	Four-channel transmitter, includes three coil relays, Wi-Fi	1 kg	€1.093,00

## Part Number/Price

Part #	Description	Est. Weight	Price
<b>Receivers</b>			
<b>5-6 VDC Power Input</b>			
160337	Receiver to provide a mV signal to a digital weight indicator, RF 802.15.4, 2.4 GHz	0,9 kg	€846,00
160334	Receiver to provide an analog output signal: 4-20 mA, 0-20 mA, 0-5 VDC, 0-10 VDC, ±5 VDC, ±10VDC, RF 802.15.4, 2.4 GHz	0,9 kg	€893,00
160016	Receiver to provide an analog output signal: 4-20 mA, 0-20 mA, 0-5 VDC, 0-10 VDC, ±5 VDC, ±10VDC, includes three coil relays, RF 802.15.4, 2.4 GHz	0,9 kg	€921,00
<b>7-36 VDC Power Input</b>			
160336	Receiver to provide a mV signal to a digital weight indicator. RF 802.15.4, 2.4 GHz	0,9 kg	€917,00
160333	Receiver to provide an analog output signal: 4-20 mA, 0-20 mA, 0-5 VDC, 0-10 VDC, ±5 VDC, ±10 VDC, RF 802.15.4, 2.4 GHz	0,9 kg	€1.012,00
159476	Receiver to provide an analog output signal: 4-20 mA, 0-20 mA, 0-5 VDC, 0-10 VDC, ±5 VDC, ±10 VDC, includes three coil relays, RF 802.15.4, 2.4 GHz	0,9 kg	€1.136,00
<b>85-265 VAC Power Input</b>			
160335	Receiver to provide a mV signal to a digital weight indicator, RF 802.15.4, 2.4 GHz	0,9 kg	€960,00
160332	Receiver to provide an analog output signal: 4-20 mA, 0-20 mA, 0-5 VDC, 0-10 VDC, ±5 VDC, ±10 VDC, RF 802.15.4, 2.4 GHz	0,9 kg	€1.064,00
159475	Receiver to provide an analog output signal: 4-20 mA, 0-20 mA, 0-5 VDC, 0-10 VDC, ±5 VDC, ±10 VDC, includes three coil relays, RF 802.15.4, 2.4 GHz	0,9 kg	€1.231,00
<b>7000HD</b>			
177942	MSI-7000HD 4CH 85-265 VAC, Three Coil Relays, 802.15.4		€1.824,00
177944	MSI-7000HD 4CH 7-36 VDC, Three Coil Relays, 802.15.4		€1.791,00
177945	MSI-7000HD 4CH 9-36 VDC Iso, Three Coil Relays, 802.15.4		Consult
177950 *	MSI-7000HD 4CH 85-265 VAC, Three Coil Relays, Bluetooth*		Consult
177952 *	MSI-7000HD 4CH 7-36 VDC, Three Coil Relays,Bluetooth		Consult
177953 *	MSI-7000HD 4CH 9-36 VDC Iso, Three Coil Relays,Bluetooth		Consult
177995	MSI-7000HD 4CH 85-265 VAC, Three Coil Relays, WiFi		€1.839,00
177997	MSI-7000HD 4CH 7-36 VDC, Three Coil Relays, WiFi		€1.801,00
177998	MSI-7000HD 4CH 9-36 VDC Iso, Three Coil Relays, WiFi		€1.881,00
<b>7001HD</b>			
178021	MSI-7001HD 2CH 85-265 VAC, 802.15.4		€1.093,00
178010	MSI-7001HD 2CH 5-6 VDC, 802.15.4		€988,00
178011	MSI-7001HD 2CH 7-36 VDC, 802.15.4		€1.060,00
178012	MSI-7001HD 2CH 9-36 VDC Isolated, 802.15.4		€1.069,00
178013 *	MSI-7001HD 2CH 85-265 VAC, Bluetooth		Consult
178014 *	MSI-7001HD 2CH 5-6 VDC, Bluetooth		Consult
178015 *	MSI-7001HD 2CH 7-36 VDC, Bluetooth		Consult
178016 *	MSI-7001HD 2CH 9-36 VDC Isolated, Bluetooth		Consult
178017	MSI-7001HD 2CH 85-265 VAC, WiFi		€1.117,00
178018	MSI-7001HD 2CH 5-6 VDC, WiFi		€1.069,00
178019	MSI-7001HD 2CH 7-36 VDC, WiFi		€1.079,00
178020	MSI-7001HD 2CH 9-36 VDC Isolated, WiFi		€1.140,00

\* Bluetooth modems only work with certain Android devices. Please contact office for potential applications.

## Options/Accessories

Part #	Description	Price
162172	Charger, TranSend™ for 6V SLA battery	€52,00
162173	Battery, TranSend 6V SLA	€91,00
162175	Enclosure, TranSend for 6V SLA battery	€260,00
150964	RS-232 4 m serial cable with nine-pin (female) connector	€147,00
150965	RS-232 4 m serial cable with nine-pin (male) connector	€147,00
160109	AC adaptor, TranSend 6V	€44,00
162178	Antenna extension kit for enclosures	€359,00
139309	Antenna kit, long range Omni with 3 m coax cable	€376,00
139310	Antenna kit, corner reflector 9 dbi with 3 m coax cable	€372,00
139311	Antenna kit, corner reflector 12 dbi with 3 m coax cable	€398,00
139312	Antenna kit, Yagi 15 dbi with 3 m coax	€307,00
144345	30 m coaxial cable, for use with non-vehicle mount antenna kits	€350,00
139313	Antenna kit, vehicle mount. 5 dbi with 5 m coaxial cable	€113,00
162177	Cordset, TranSend, pre-wired for use with single channel transmitters or non-relay based receivers	€96,00
162184	Load cell connector, TranSend, Field wireable, 4-6 mm straight. For use with single channel transmitters and all receivers	€48,00
162185	Load cell connector, TranSend, Field wireable, 6-8 mm straight. For use with single channel transmitters and all receivers	€48,00

## Options/Accessories

Part #	Description	Price
162186	Load cell connector, TranSend, Field wireable, 4-6 mm right angle. For use with single channel transmitters and all receivers	€48,00
162187	Load cell connector, TranSend, Field wireable, 6-8 mm right angle. For use with single channel transmitters and all receivers	€48,00
143531	Power cord, 6 V SLA battery charger EU	€22,00
143533	Power cord, 6 V SLA battery charger, Australia	€38,00
143534	Power cord, 6 V SLA Battery charger, UK	€38,00
160110	265 VAC to 6 VDC wall adapter US/UK/EU/AUS/China	€44,00
150964	RS-232 serial cable, nine-pin female	€147,00
150965	RS-232 serial cable, nine-pin male	€147,00
145085	RS-232 serial cable, nine-pin unterminated	€96,00
164865	Cable, 4 m, one-channel, mV/V output, LC input	€117,00
165648	Cable, 5 m, one-channel, mV/V output, LC input	€117,00
165651	Cable, 10 m, one-channel, mV/V output, LC input	€169,00
145084	Cable, 2 m, one-channel, analog output	€48,00
144400	Cable, 5 m, one-channel, analog output	Consult
168903	Cable, 10 m, one-channel, analog output	€108,00
Consult	Straight connector, analog output, field wire able, 4-6 mM OD	Consult
Consult	Straight connector, analog output, field wire able, 6-8 mM OD	Consult
Consult	Right angle connector, analog output, field wire able, 4-6 mM OD	Consult
Consult	Right angle connector, analog output, field wire able, 6-8 mM OD	Consult
184002	7000HD Half-plate mounted, FHSS, DC (battery) powered (half plate battery power supply sold separately)	€2.086,00
182244	GoDex portable printer (compatible with android tablet app)	€946,00

# Industrial Broadband Wireless Ethernet



## Specifications

### Frequency Band (varies by country):

2,412 GHz to 2,462 GHz (FCC)  
 2,412 GHz to 2,472 GHz (ETSI)  
 5,150 GHz to 5,250 GHz (FCC/ETSI)  
 5,725 GHz to 5,850 GHz (FCC)

### Wireless Standards:

802.11a, 802.11b, 802.11g and 802.11i

### Transmit Power; Programmable (varies by country):

2,4 GHz: up to 100 mW (20 dBm)  
 5 GHz: up to 64 mW (18 dBm)

### Channel Data Rates (modulation):

802.11b, 11, 5.5, 2, 1 Mbps (DSSS, BPSK, QPSK, CCK)  
 802.11g: 54, 48, 36, 24, 18, 12, 9, 6 Mbps (OFDM)  
 802.11a: 54, 48, 36, 24, 18, 9, 6 Mbps (OFDM)

### Receiver Sensitivity (Typical):

-90 dBm at 1 Mbps  
 -85 dBm at 11 Mbps  
 -82 dBm at 24 Mbps  
 -75 dBm at 54 Mbps

### Channels Selection (varies by country):

1 to 13 (802.11a)

### Security:

WPA2 - 802.11i with 128 bit AES-CCM legacy  
 WPA TKIP, WEP support MAC ID filter, admin password

## Standard Features

- Serial and Ethernet connectivity
- Configures as 802.11 a/b/g access point, wireless bridge, wireless repeater and client
- Secure WPA2/128 bit encryption
- Dual band 2,4 GHz or 5 GHz bands
- Robust design for extreme temperatures (-40°C to 75°C) high vibration/shock and hazardous locations (UL Class 1, Division 2 / ATEX Zone 2)\*

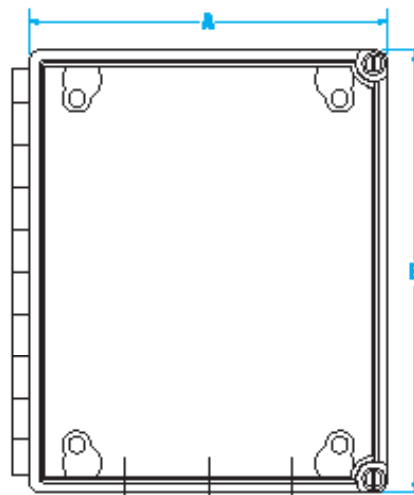
## Part Number/Price

Part #	Description	Price
166630	Industrial hot spot, 802.11abg*	€1.136,00
161954	Industrial hot spot in FRP enclosure*	€2.846,00
161955	Paired radios for serial data tunneling*	Consult

\*Special ordered power supplies and antennas required

## Dimensions FRP Enclosure

A	216 mm	B	267 mm
---	--------	---	--------



161954 Industrial Hot Spot

# Tripp-Lite USB to Serial Converters

Serial Adapters

## Specifications

**Data Transfer Rate:**

More than 500 Kbps

**LED:**

Data transfer/handshaking (orange)

**Power Consumption:**

450 mW

**USB Specification:**

V1.1 compliant



## Standard Features

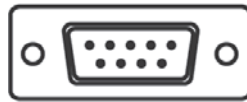
- Portable design—no AC power required
- Simple plug-and-play setup
- Supports data transfer rates of more than 500Kbps
- Hot swappable

## Part Number/Price

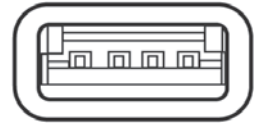
Part #	Description	Est. Weight	Price
153603	USB to serial converter	1 kg	€92,00
22436	Cable DB9F to blunt end, 6 ft	1 kg	€64,00

### DB-9 PIN Assignments:

PIN	Assignment	PIN	Assignment
1	CD	6	DSR
2	RXD	7	RTS
3	TXD	8	CTS
4	DTR	9	RI
5	GND		



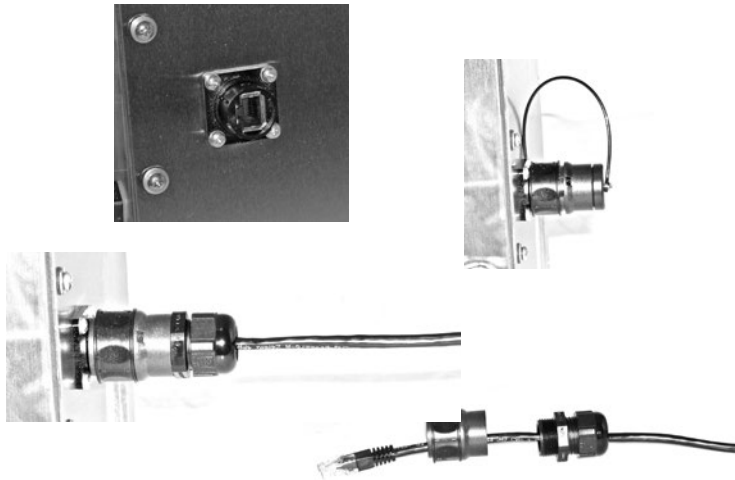
DB9 (Male) Connector



Type A USB Connector

# Amphenol® RJF 544

Harsh Environment Ethernet Connection System



## Specifications

### Data Transmission:

10Base-T, 100Base-TX and 1000Base-T networks Category 5e per TIA/EIA 568B and ClassD per ISO/IEC 11801

### Mechanical:

Quick push/pull coupling  
 RJ-45 cordset retention in the plug:  
 100N in the axis  
 Mating cycles: 500 min

### Environmental Protection:

Sealing: IP67  
 Salt spray > 1000h  
 Fire retardant/low smoke: UL94 V0 and NFF 16 16102, DIN 5510-2  
 Vibrations: 10-500 Hz, 10 g, 3 axes  
 No discontinuity > 10 nanos  
 Thermal shock: 5 cycles at -40° C / +100° C

### Operating Temperature:

-40° C to 85° C

### Applications:

Telecom equipment, video control, robotics, industrial process control, CNC machines, motion control, tele-maintenance

## Standard Features

- Allows an Ethernet Class D/Category 5e connection for 10Base-T, 100Base-TX, or 1000Base-T networks in harsh environments
- Sealed against fluids and dusts (IP67)
- Shock, vibration and traction resistant
- No cabling operation in the field
- No tools required
- Improved EMI protection
- Uses a standard RJ-45 cordset in protective composite plug to protect from shocks, dust and fluids
- In-field cabling and grounding not necessary

## Part Number/Price

Part #	Description	Price
87326	RJF 544 kit	€148,00
87285	Square flange female connector	€34,00
87286	Dust cap for harsh environment receptacles	€34,00
87287	Gasket for harsh environment receptacles	€4,80
87288	Ethernet plug	€34,00
87289	Dust cap for harsh environment plugs	€34,00

## Specifications

**Baud Rate:**

9600

**Data Bits:**

8

**Parity:**

None

**Color:**

Black

**Cable Length:**

1.880 mm

**Bluetooth Cable Length:**

406 mm

**Power:**

USB power, no external power supply

**Host:**

PC and MAC compliant

**Connection:**
DB9 male connector, Pin 2 RX, Pin 3 TX and Pin 5 Ground  
USBA connector

## Standard Features

- Converts serial data such as barcode reader or scale into keyboard input to software program
- Works with PC and MAC
- Requires no driver installation (identifies itself as additional HID keyboard)
- Cable draws power from USB port (no external power supply needed)
- Test cable to be connected with adapter scale cable or connector
- Bluetooth version allows Bluetooth connection to devices like iPad, Playbook, Android tablets and smart cell phones

## Part Number/Price

Part #	Description	Est. Weight	Price
119919	RS-232/USB serial cable	1 kg	€181,00
132452	RS-232/USB serial cable plus Bluetooth*	1 kg	€247,00

## Options/Accessories

Part #	Description	Price
119064	Slimline null modem, gender changer DB9 female to female	€11,00
22436	Blunt-end to DB9 female, straight cable	€64,00
50749	DB9 female to DB9 female	€57,00
130789	Null model DB9 adapter female to male	€13,00

**go-between**

Data Capture and Storage



**Specifications**

- Baud Rate:**  
9600
- Data Bits:**  
8
- Parity:**  
None
- Power:**  
Requires 5 VDC
- Customer Supplied:**  
Power and USB flash drive
- Industrial Enclosure Option:**  
19 x 19 x 12 cm  
Latch for lock
- Warranty:**  
One-year limited warranty

**Standard Features**

- Onboard LED for testing data transmission
- Captures data and stores it on a USB flash drive up to 8 GB (not included)
- Transfer data to your PC using the USB flash drive

**Part Number/Price**

Part #	Description	Price
153265	go-between board	€390,00
153266	go-between industrial enclosure	€570,00
153267	go-between desk enclosure	€475,00
158778	go-between desk enclosure, EU power supply	€475,00

**Options and Accessories**

Part #	Description	Price
154797	Adapter, power 5 VDC 2A 90-264 VAC, U.S. plug, UL/cUL	€34,00
170935	Overlay, desk	Consult

Text file examples (actual text will be dependent on transmitted file)
02:50PM 11/13/2012 GROSS 58 lb
02:50PM 11/13/2012 GROSS 68 lb





# Junction Boxes/ Simulators

## TABLE OF CONTENTS

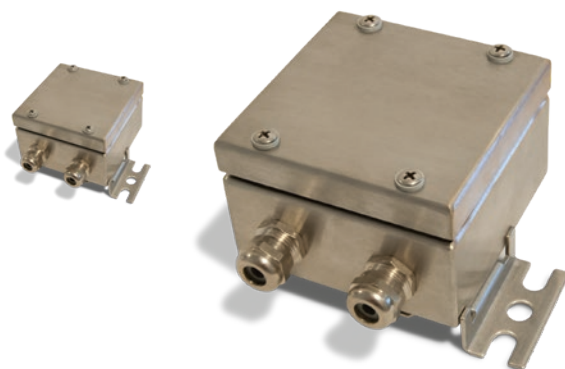
<b>JBSS</b> ..... 196	<i>One-Cell Junction Box</i>
<b>JBW</b> ..... 197	<i>Dual-Cell Junction Box</i>
<b>JBSA</b> ..... 197	<i>One-Cell Junction Box</i>
<b>JBL</b> ..... 198	<i>Four-Cell Junction Box</i>
<b>JBLS</b> ..... 198	<i>Four-Cell Junction Box</i>
<b>JBLA</b> ..... 199	<i>Four-Cell Junction Box, ATEX Approved</i>
<b>JBLSA</b> ..... 199	<i>Four-Cell Junction Box</i>
<b>EL168</b> ..... 200	<i>One-Cell Junction Box</i>
<b>JB4SS</b> ..... 201	<i>TuffSeal® Signal Trim Junction Box</i>
<b>JB4ES</b> ..... 202	<i>TuffSeal® Excitation Trim Junction Box</i>
<b>JB4SP AND JB4SPT</b> ..... 203	<i>TuffSeal® Signal Trim Junction Box</i>
<b>JB4EP AND JB4EPT</b> ..... 204	<i>TuffSeal® Excitation Trim Junction Box</i>
<b>EL204</b> ..... 205	<i>Signal Trim Junction Box</i>
<b>EL304A</b> ..... 206	<i>Signal Trim Junction Box</i>
<b>EL504</b> ..... 207	<i>Signal Trim Junction Box</i>
<b>JB8SP</b> ..... 208	<i>TuffSeal® Signal Trim Junction Box</i>
<b>JB8SPT</b> ..... 209	<i>TuffSeal® Signal Trim Junction Box</i>
<b>JB1010T</b> ..... 210	<i>Signal/Excitation Trim Junction Box with Transient Protection</i>
<b>JB1010ST</b> ..... 211	<i>Signal Trim Junction Box with Transient Protection</i>
<b>IQUBE 2®</b> ..... 212	<i>Digital Diagnostic Junction Box</i>
<b>RANGER 1</b> ..... 215	
<b>RANGER 3</b> ..... 216	
<b>TRANSDUCER SIMULATOR 4</b> ..... 216	
<b>RANGER 5</b> ..... 217	
<b>RANGER 7</b> ..... 217	

### Looking for products?

Please visit [www.ricelake.com/global](http://www.ricelake.com/global) for current product pricing or call our European office at +31 (0) 26 472 1319 to talk to an industry expert about our product offerings and customized solutions.

## JBSS

### One-Cell Junction Box



## Specifications

**Cable Fittings:**

Cord grip

**Enclosure:**

Stainless steel

**Connection:**

Terminal block

**Dimensions:**

100 x 100 x 50 mm (excluding cable glands)

**Warranty:**

One-year limited

## Standard Features

- Connection device for one load cell
- Connection for one speed pickup

## Applications

- For splicing or extending load cell cables

## Part Numbers

Part #	Description	Price
157581	J-Box, JBSS	€261,00

*Note: Do not mix junction box models or use other brands of junction boxes with Rice Lake junction boxes. There is a risk of system instability.*

## Specifications

- Cable Fittings:**  
Two cord grips
- Enclosure:**  
Aluminum
- Connection:**  
Terminal block
- Operating Temperature:**  
-40° C to 80° C
- Dimensions:**  
125 x 100 mm
- Warranty:**  
One-year limited warranty
- Approvals:**  
ATEX



## Standard Features

- Connection device for one load cell
- Connection for one speed pickup
- ATEX approved

Approvals



## Applications

- For splicing or extending load cell cables

## Part Numbers

Part #	Description	Price
157583	J-Box, JBSA	€189,00

*Note: Do not mix junction box models or use other brands of junction boxes with Rice Lake junction boxes. There is a risk of system instability.*

## Specifications

- Cable Fittings:**  
3 x M12, from load cell or speed pickup  
2 x M16, to electronics
- Enclosure:**  
Reinforced polycarbonate, impact proof
- Connection:**  
Terminal block, 12 x 2 mm<sup>2</sup>
- Operating Temperature:**  
-40° C to 80° C
- Protection:**  
IP66
- Dimensions:**  
180 x 110 x 90 mm
- Warranty:**  
One-year limited warranty



## Standard Features

- Connection device for two load cell
- Connection for one speed pickup

## Applications

- Summing two load cells, belt scales and screw weigher

## Part Numbers

Part #	Description	Est. Weight	Price
157579	J-Box, JBW, two cells	800 g	€143,00

*Note: Do not mix junction box models or use other brands of junction boxes with Rice Lake junction boxes. There is a risk of system instability.*

## JBL

### Four-Cell Junction Box



#### Standard Features

- Connection device for four load cells
- Connection for one speed pickup

#### Applications

- Summing four load cells
- Static weighing, belt scales

#### Part Numbers

Part #	Description	Est. Weight	Price
157580	J-Box, JBL, four cells	1.200 g	€210,00

*Note: Do not mix junction box models or use other brands of junction boxes with Rice Lake junction boxes. There is a risk of system instability.*

#### Specifications

**Cable Fittings:**

4 x M12, from load cells

**2 x M20/M12 from load cells or speed pickup**

1 x M16 electronics

**Enclosure:**

Reinforced polycarbonate, impact proof

**Connection:**

Terminal block, 12 x 2 mm<sup>2</sup>

**Operating Temperature:**

-40° C to 80° C

**Protection:**

IP66

**Dimensions:**

254 x 180 x 90 mm

**Warranty:**

One-year limited warranty

## JBLS

### Four-Cell Junction Box



#### Standard Features

- Connection device for four load cells
- Connection for one speed pickup

#### Applications

- Summing four load cells
- Static weighing and belt scales

#### Part Numbers

Part #	Description	Est. Weight	Price
157582	J-Box, JBLS	1.200 g	€460,00

*Note: Do not mix junction box models or use other brands of junction boxes with Rice Lake junction boxes. There is a risk of system instability.*

#### Specifications

**Cable Fittings:**

4 x M16, from load cell

1 x M16, to electronics

**Enclosure:**

Stainless steel

**Connection:**

Terminal block, 1 mm<sup>2</sup>

**Operating Temperature:**

-40° C to 80° C

**Protection:**

IP65

**Dimensions:**

200 x 120 x 64 mm

**Warranty:**

One-year limited warranty

**Specifications**

- Cable Fittings:**  
4 x M16, from load cells  
1 x M16 from speed pickup
- Enclosure:**  
Reinforced ABS, impact proof
- Connection:**  
Terminal block, 2 mm<sup>2</sup>
- Operating Temperature:**  
-40° C to 80° C (T6 as with II 2D)
- Protection:**  
IP66
- Dimensions:**  
260 x 160 x 90 mm
- Warranty:**  
One-year limited warranty
- Approvals:**  
ATEX



**Standard Features**

- Connection device for four load cells
- Connection for one speed pickup

**Applications**

- Summing four load cells
- Static weighing and belt scales

**Part Numbers**

Part #	Description	Est. Weight	Price
157584	J-Box, JBLA	2.050 g	€317,00

*Note: Do not mix junction box models or use other brands of junction boxes with Rice Lake junction boxes. There is a risk of system instability.*

**Specifications**

- Cable Fittings:**  
Two cord grips
- Enclosure:**  
Stainless steel
- Connection:**  
Terminal block
- Protection:**  
IP66, T6 temperature
- Dimensions:**  
200 x 120 x 64 mm
- Warranty:**  
One-year limited warranty
- Approvals:**  
ATEX



**Standard Features**

- Connection device for four load cells
- Connection for one speed pickup
- ATEX approved II2 G/D



**Applications**

- Summing four load cells
- Static weighing and belt scales

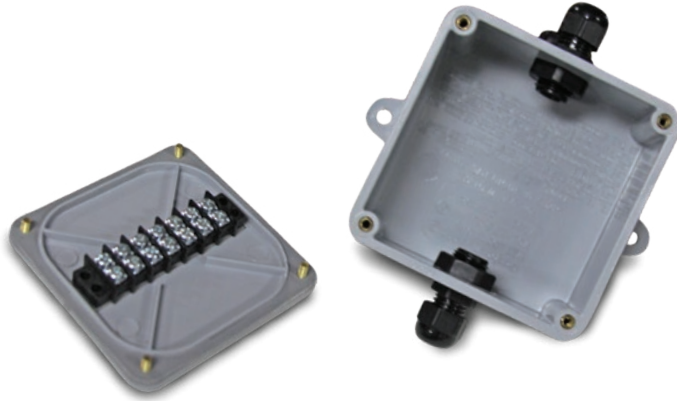
**Part Numbers**

Part #	Description	Price
157585	J-Box, JBLSA	€603,00

*Note: Do not mix junction box models or use other brands of junction boxes with Rice Lake junction boxes. There is a risk of system instability.*

# EL168

One-Cell Junction Box



## Specifications

**Dimensions:**

W x L x D 102 x 102 x 64 mm

**Mounting Centers:**

95 x 59 mm

**Cable Fittings:**

Nylon waterproof strain-relief type

**Cable Diameter:**

2 to 8 mm

**Terminal Block:**

Rated 300V/15A; seven position, screw terminal can each accommodate up to # 16 AWG

**Warranty:**

One-year limited warranty

## Standard Features

- Non-metallic PVCX enclosure with separate input and output cable fittings
- No soldering, compression or swagged fittings are required

## Applications

- For splicing or extending load cell cable

## Part Numbers

Part #	Description	Price
21161	EL168 one cell junction box	€72,00

*Note: Do not mix junction box models or use other brands of junction boxes with Rice Lake junction boxes. There is a risk of system instability.*

**Specifications**

**Cable Fittings:**

**P/N 88956:**

- (4) PG7 0,118-0,255 strain relief
- (2) PG11 0,197-0,394 strain relief
- (1) PreVent™ breather vent

**P/N 107700:**

- (4) PG9 0,138-0,315 strain relief
- (2) PG11 0,197-0,394 strain relief
- (1) PreVent™ breather vent

**Enclosure:**

Stainless steel NEMA 4X/IP66

**Connectors:**

Spring clamp screwless, 12-28 AWG

**Trimming:**

Individual cell, signal trim

**Potentiometers:**

100 k ohm, 25 turn cermet

**Circuit Board:**

97 x 58 mm, with conformal coating

**Warranty:**

One-year limited warranty



**Standard Features**

- Stainless steel, NEMA 4X/IP66 enclosure
- Shunt jumpers to disable a load cell
- PreVent™ breather vent
- Conformal coated circuit board
- Number of cells: two to four single cells
- Expansion port

**Approvals**



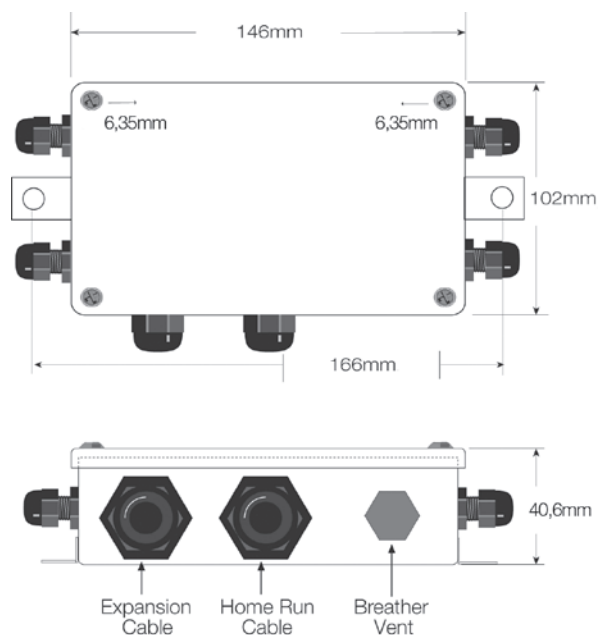
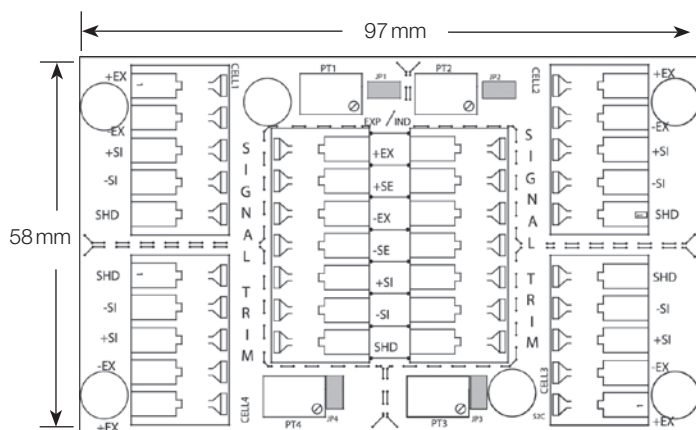
**Applications**

- Floor, tank, hopper scales

**Part Numbers**

Part #	Description	Price
88956	JB4SS signal trim junction box with PG7 cord grips for load cells	€247,00
107700	JB4SS signal trim junction box with PG9 cord grips for load cells	€262,00
88958	Board only	€152,00

*Note: Do not mix junction box models or use other brands of junction boxes with Rice Lake junction boxes. There is a risk of system instability.*



# JB4ES

TuffSeal® Excitation Trim Junction Box



## Specifications

### Cable Fittings:

- (4) PG7 0,118-0,255 strain relief
- (2) PG11 0,197-0,394 strain relief
- (1) PreVent™ breather vent

### Enclosure:

Stainless steel NEMA4X

### Connectors:

Spring clamp screwless, 12-28 AWG

### Trimming:

Individual cell, excitation trim

### Potentiometers:

100 ohm, 25 turn cermet

### Circuit Board:

97 x 58 mm, with conformal coating

### Warranty:

One-year limited warranty

## Standard Features

- Stainless steel, NEMA 4X (IP66) enclosure
- Jumpers to enable trimming
- PreVent™ breather vent
- Conformal coated circuit board
- Number of cells: 2 to 4 single cells
- Expansion port

## Approvals



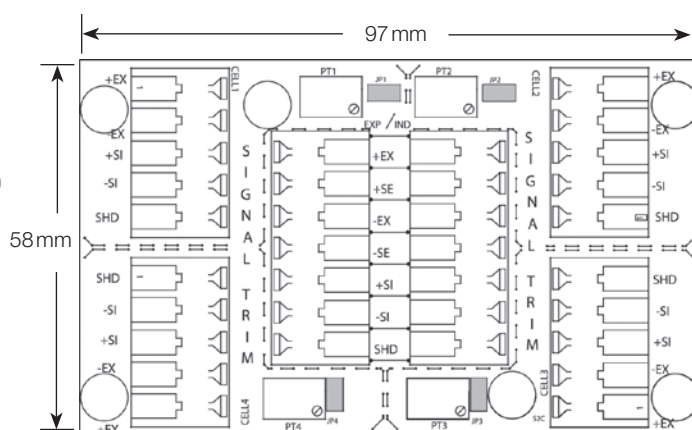
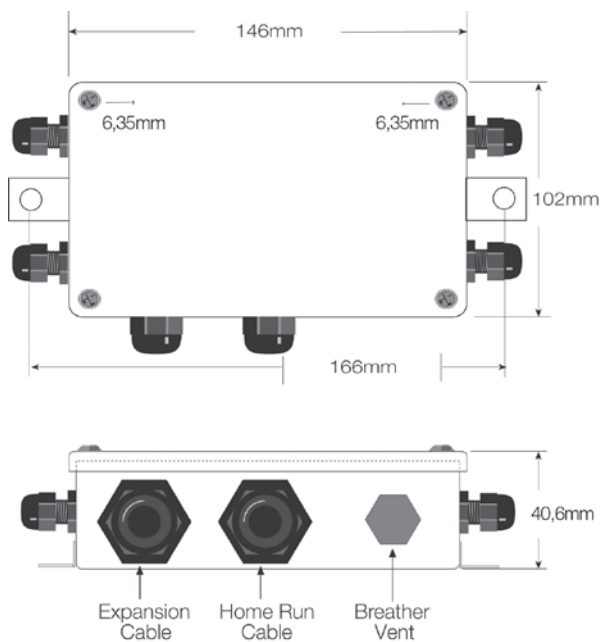
## Applications

- Floor, tank, hopper scales

## Part Numbers

Part #	Description	Price
91779	JB4ES excitation trim junction box	€247,00
89446	Board only	€152,00

*Note: Do not mix junction box models or use other brands of junction boxes with Rice Lake junction boxes. There is a risk of system instability.*



# JB4SP and JB4SPT

TuffSeal® Signal Trim Junction Box

## Specifications

### Cable Fittings:

- (4) PG7 0.118-0.255 strain relief
- (2) PG11 0.197-0.394 strain relief
- (1) PreVent™ breather vent

### Enclosure:

Molded FRP NEMA 4X/IP66 enclosure with overlapping solid cover, stainless steel screws

### Connectors:

Spring clamp screwless, 12-28 AWG

### Trimming:

Individual cell, signal trim

### Potentiometers:

100.000 ohm, 25 turn cermet

### Circuit Board:

97 x 58 mm, with conformal coating

### Warranty:

One-year limited warranty



## Standard Features

- Fiberglass Reinforced Polyester (FRP) NEMA 4X/IP66 enclosure with stainless steel cover screws
- Jumpers to enable/disable a load cell
- PreVent™ breather vent
- Conformal coated circuit board
- Number of cells: Two, three or four single cells
- Expansion port

## Approvals



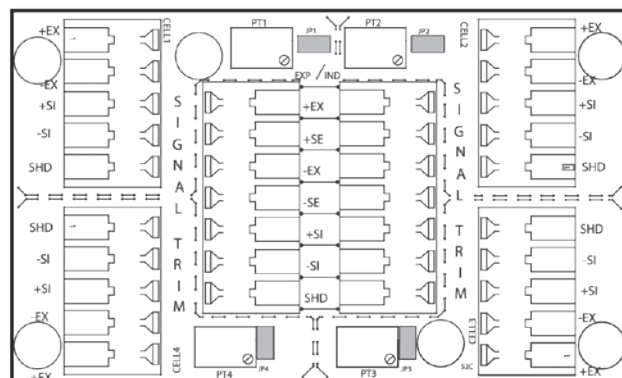
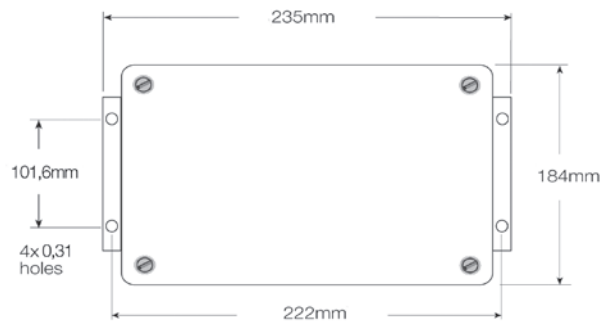
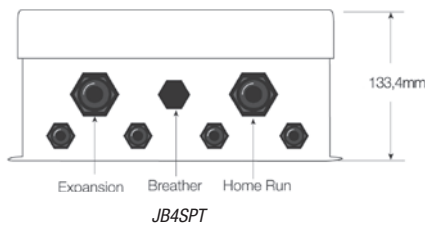
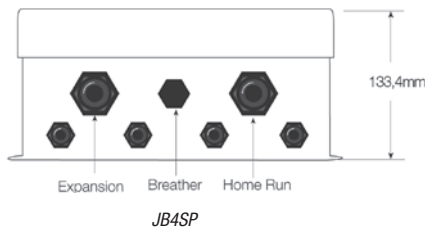
## Applications

- Tank and hopper scales

## Part Numbers

Part #	Description	Price
91780	JB4SP signal trim four-channel with expansion	€257,00
92762	JB4SPT signal trim with transient protection	€442,00
88958	Board only	€152,00
89894	Transient board	€214,00

Note: Do not mix junction box models or use other brands of junction boxes with Rice Lake junction boxes. There is a risk of system instability.



# JB4EP and JB4EPT

TuffSeal® Excitation Trim Junction Box

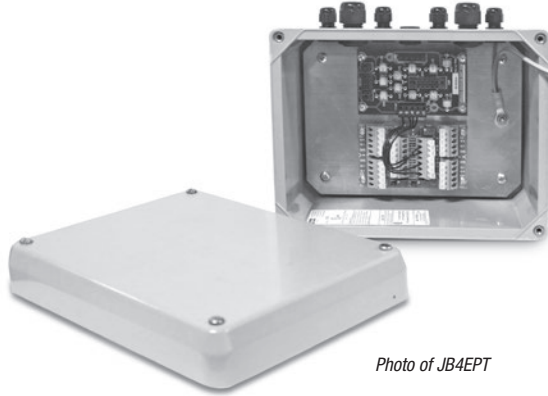


Photo of JB4EPT



## Specifications

### Cable Fittings:

- (4) PG7 0,118-0,255 strain relief
- (2) PG11 0,197-0,394 strain relief
- (1) PreVent™ breather vent

### Enclosure:

Molded FRP NEMA 4X/IP66 enclosure with overlapping solid cover, stainless steel screws

### Connectors:

Spring clamp screwless, 12-28 AWG

### Trimming:

Individual cell, excitation trim

### Potentiometers:

100 ohm, 25 turn cermet

### Circuit Board:

97 x 58 mm, with conformal coating

### Warranty:

One-year limited warranty

## Standard Features

- Fiberglass Reinforced Polyester (FRP) NEMA 4X/IP66 enclosure with stainless steel cover screws
- Jumpers to enable/disable a load cell
- PreVent™ breather vent
- Conformal coated circuit board
- Number of cells: Two, three or four single cells
- Expansion port

## Approvals



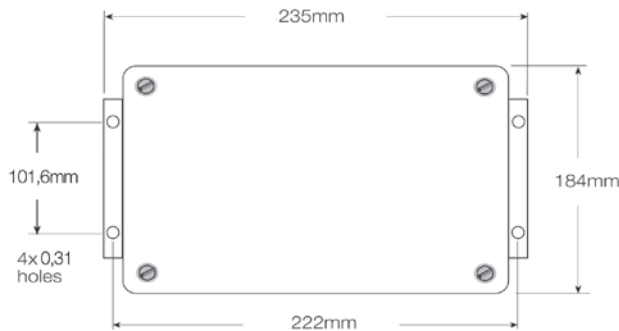
## Applications

- Tank and hopper scales

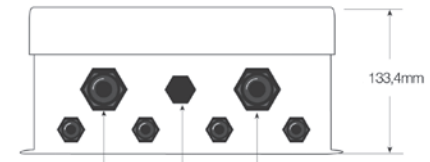
## Part Numbers

Part #	Description	Price
91781	JB4EP excitation trim junction box	€257,00
92763	JB4EPT excitation trim junction box with transient protection	€442,00
89446	Board only	€152,00
89894	Transient board	€214,00

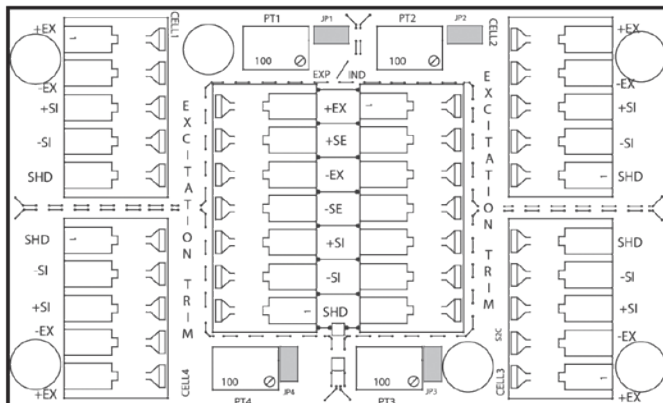
Note: Do not mix junction box models or use other brands of junction boxes with Rice Lake junction boxes. There is a risk of system instability.



Load Cell Cord Grips on Bottom  
JB4EP



JB4EPT



### Specifications

**Cable Fittings:**

Five water tight nylon compression fittings, 5 x 7 mm

**Connectors:**

Spring clamp screwless, 12-28 AWG

**Trimming:**

Individual cell trim, signal trim

**Potentiometers:**

100.000 ohm, 25 turn cermet

**Enclosure:**

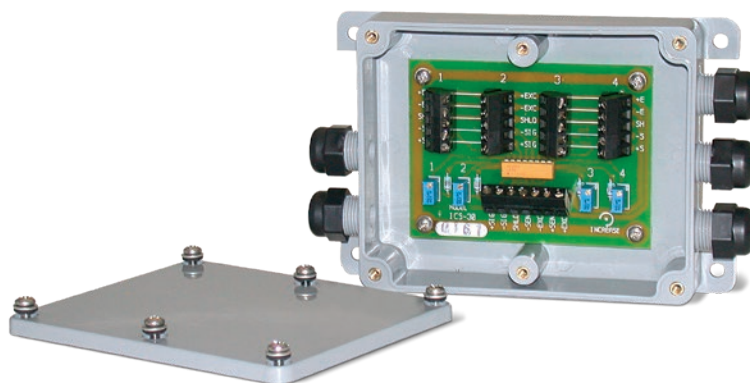
ABS with molded through-fittings, sealed 6-screw lid

**Circuit Board:**

97 x 58 mm; with conformal coating

**Warranty:**

One-year limited warranty



### Standard Features

- ABS enclosure with molded-in cable fittings
- Premium screw terminals
- 6-screw attachment to lid, die cut gasket for superior environment protection
- Number of cells: Two, three or four single cells

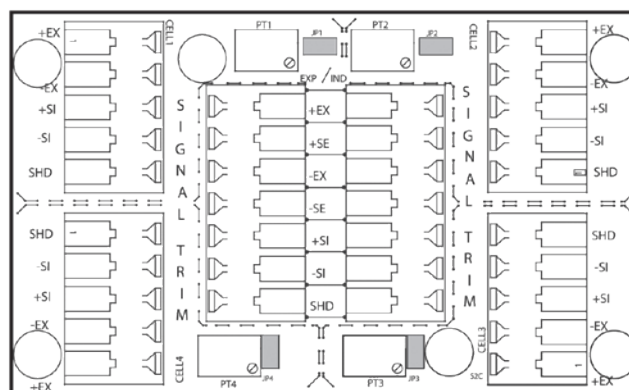
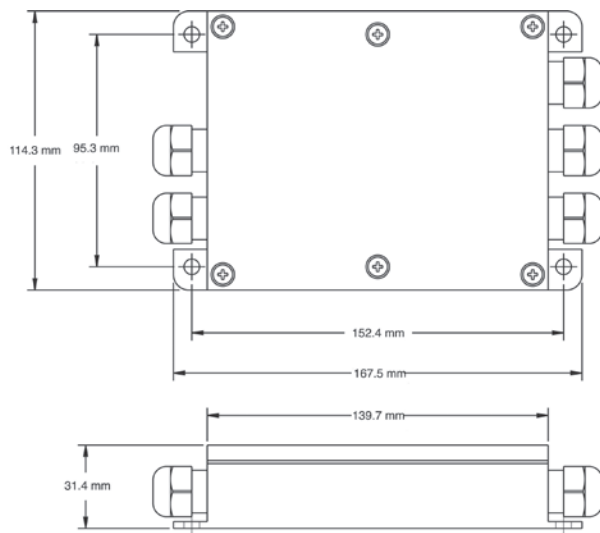
### Applications

- Floor, hopper, tank or livestock applications

### Part Numbers

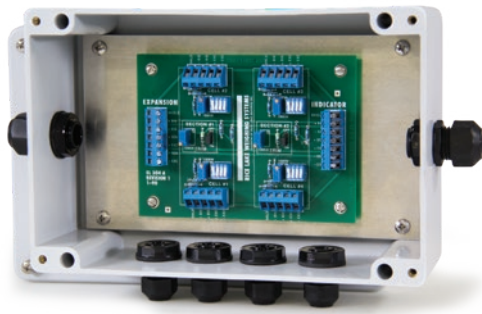
Part #	Description	Price
73428	EL204 junction box	€186,00
88958	Board only	€152,00

*Note: Do not mix junction box models or use other brands of junction boxes with Rice Lake junction boxes. There is a risk of system instability.*



# EL304A

Signal Trim Junction Box



## Specifications

**Cable Fittings:**

- (4) nylon cable strain reliefs 2-6 mm
- (2) nylon cable strain reliefs 6-9 mm

**Connectors:**

Electrovert 5 mm miniature screw terminals.  
Maximum wire size # 14 AWG

**Trimming:**

Individual cell and section, signal trim

**Potentiometers:**

100.000 ohms, 25-turn cermet

**Enclosure:**

FRP NEMA 4X, 40 PSI washdown

**Circuit Board:**

140 x 102 mm with anti-fungal coating

**Warranty:**

One-year limited warranty

## Standard Features

- Fiberglass-Reinforced Polyester (FRP), NEMA Type 4X enclosure
- Strain relief cable fittings
- Individual cell signal disconnect switches
- Number of cells: Two to four single cells (even number of cells only)
- Expansion port

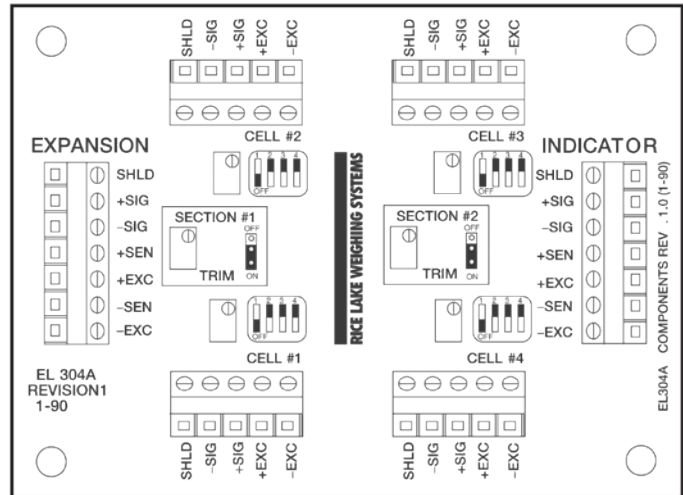
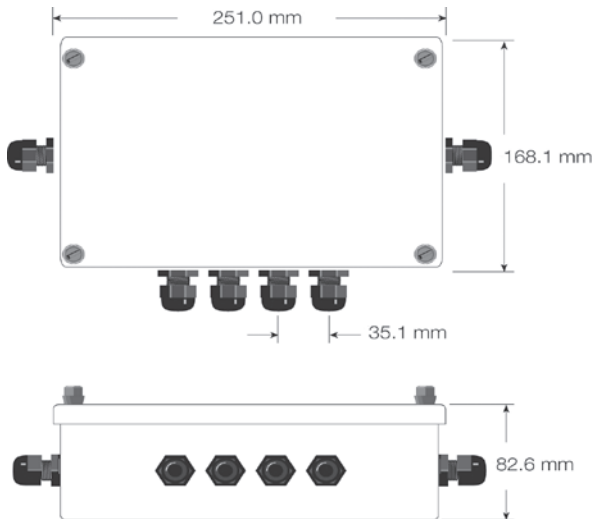
## Applications

- Livestock scales
- Tank and vessel weighing
- Corner and/or section trim applications

## Part Numbers

Part#	Description	Price
21169	EL304A signal trim four-channel junction box	€300,00
21301	Board only	€214,00

*Note: Do not mix junction box models or use other brands of junction boxes with Rice Lake junction boxes. There is a risk of system instability.*



**Specifications**

**Cable Fittings:**

(5) nylon 5-8 mm cable strain reliefs

**Connectors:**

Electrovert 5 mm miniature two piece connectors.  
Maximum wire size # 14 AWG, connectors are removable for easy wiring

**Trimming:**

Individual cell trim, signal trim

**Potentiometers:**

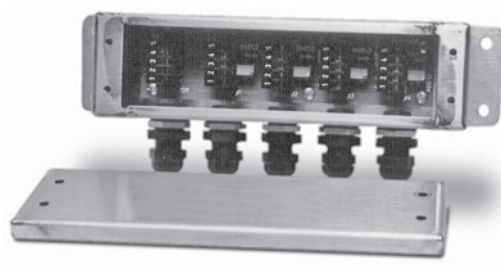
100.000 ohms, 25-turn cermet

**Enclosure:**

Stainless steel NEMA 4X, 40 PSI washdown

**Circuit Board:**

165 x 38 mm with anti-fungal coating



**Standard Features**

- Stainless steel, NEMA 4X enclosure
- Strain relief cable fittings
- Removable connectors for easy wiring
- Number of cells: Two to four single cells (even number of cells only)
- Any unused channels require modification

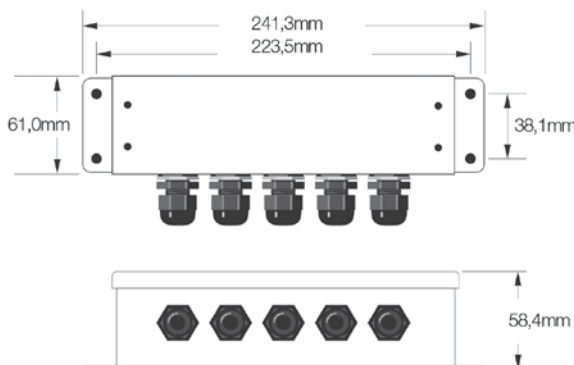
**Applications**

- Weighbridges
- Floor scales
- Limited space installations

**Part Numbers**

Part#	Description	Price
21165	EL504 signal trim junction box	€357,00
21296	Board only	€252,00

*Note: Do not mix junction box models or use other brands of junction boxes with Rice Lake junction boxes. There is a risk of system instability.*



# JB8SP

TuffSeal® Signal Trim Junction Box



## Specifications

### Cable Fittings:

- (9) 10 mm NPT 4-8 mm
- (2) 13 mm NPT 7-12 mm
- (1) PreVent™ breather unit

### Enclosure:

Molded FRP NEMA 4X enclosure with overlapping solid cover, stainless steel screws

### Connectors:

Pluggable screw type, 12-28 AWG

### Trimming:

Individual cell trim, range

### Potentiometers:

100.000 ohm, 25 turn cermet

### Circuit Board:

145 x 183 mm with conformal coating

### Warranty:

One-year limited warranty

## Standard Features

- Fiberglass Reinforced Polyester (FRP) NEMA 4X enclosure
- PreVent™ breather vent
- Conformal coated circuit board
- Removable load cell connectors
- Section and individual cell trim capability
- Number of cells: Two, four, six or eight single load cells (even number only)
- Expansion port

## Approvals



## Applications

- Weighbridges, livestock and railroad scales

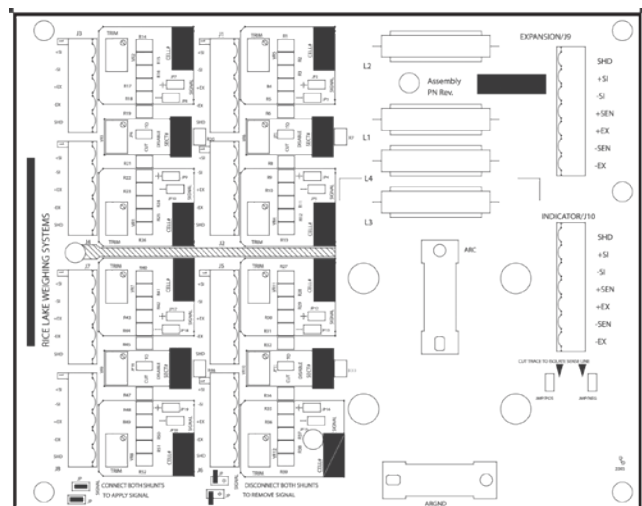
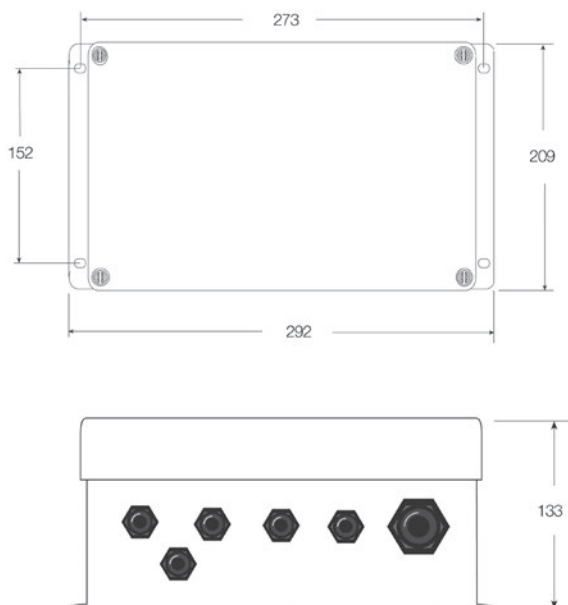
## Part Numbers

Part#	Description	Price
91782	JB8SP signal trim eight channel with expansion	€428,00
89889	Board only	€357,00

*Note: Do not mix junction box models or use other brands of junction boxes with Rice Lake junction boxes. There is a risk of system instability.*

## Options/Accessories

Part#	Description	Price
92734	Coupling, 13 mm NPT cord grip to 19 mm NPT conduit fitting	€24,00
92735	Coupling, 10 mm NPT cord grip to 19 mm NPT conduit fitting	€24,00



**Specifications**

**Cable Fittings:**

- (9) 10 mm NPT 4-8 mm
- (2) 13 mm NPT 7-12 mm
- (1) PreVent™ breather unit

**Enclosure:**

Molded FRP NEMA 4X enclosure with overlapping solid cover, stainless steel screws

**Connectors:**

Pluggable screw type, 12-28 AWG

**Trimming:**

Individual cell trim

**Potentiometers:**

100.000 ohm, 25 turn cermet

**Circuit Board:**

145 x 183 mm with conformal coating

**Warranty:**

One-year limited warranty



**Standard Features**

- Fiberglass Reinforced Polyester (FRP) NEMA 4X/IP66 enclosure
- PreVent™ breather vent
- Conformal coated circuit board
- Removable load cell connectors
- Section and individual cell trim capability
- Field replaceable transient protection
- (1) coupling, 1/2 NPT cord grip to 19 mm NPT conduit fitting for homerun cable
- Number of cells: Two, four, six or eight single load cells (even number only)
- Expansion board

**Applications**

- Weighbridges, livestock and railroad scales

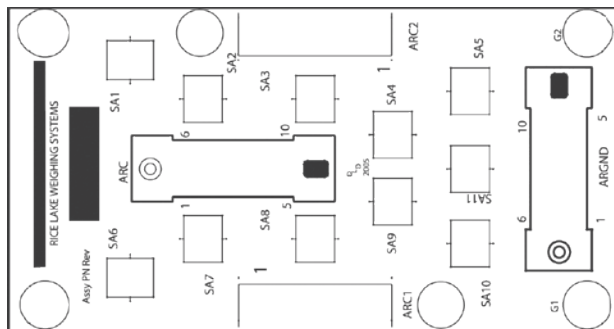
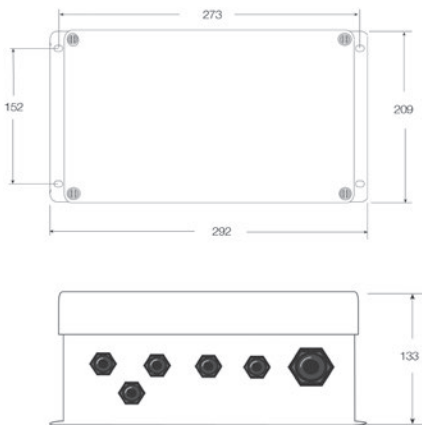
**Part Numbers**

Part#	Description	Price
91783	JB8SPT signal trim junction box with transient protection	€618,00
89889	Board only	€357,00
89894	Transient board	€214,00

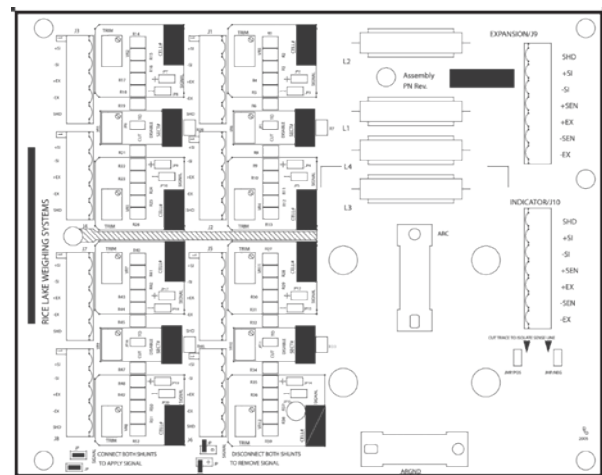
*Note: Do not mix junction box models or use other brands of junction boxes with Rice Lake junction boxes. There is a risk of system instability.*

**Options/Accessories**

Part#	Description	Price
92734	Coupling, 13mm NPT cord grip to 19 mm NPT conduit fitting	€24,00
92735	Coupling, 8 mm NPT cord grip to 19 mm NPT conduit fitting	€24,00



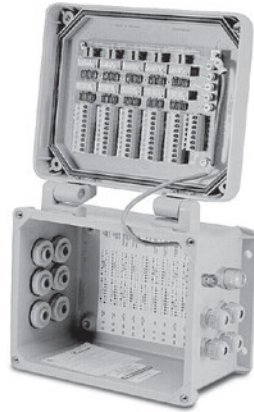
Transient Board



Load Cell Board

# JB1010T

Signal/Excitation Trim Junction Box with Transient Protection



## Specifications

**Mounting Centers:**

95 x 59 mm

**Cable Fittings:**

Nylon waterproof strain-relief type

**Cable Diameter:**

2-8 mm

**Terminal Block:**

Rated 300V/15A; seven position screw terminal can each accommodate up to # 16 AWG

**Warranty:**

One-year limited warranty

## Standard Features

- NEMA 4X/IP66 Fiberglass-Reinforced Polyester (FRP) enclosure
- Load cell transient protection
- Signal or excitation trim
- Front panel mounting
- Strain relief cable fittings
- Number of cells: one through 10 with expansion
- Trims odd numbers of cells without modification

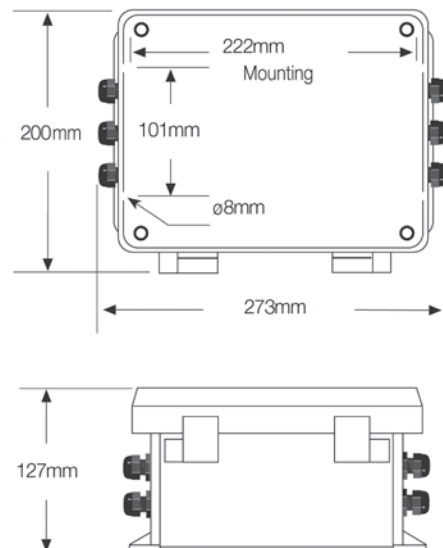
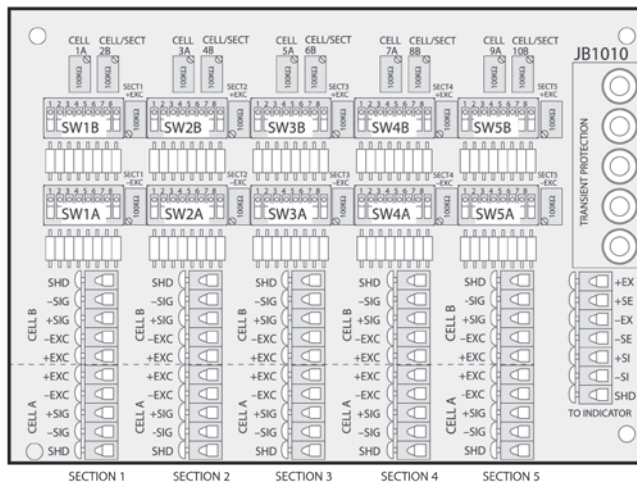
## Applications

- Tank, weighbridge, railroad, hopper and floor scales
- Universal field replacement of existing boxes
- Paralleling load cells
- Expansion of existing scales

## Part Numbers

Part #	Description	Price
36231	JB1010 signal/excitation trim junction box	€642,00
36351	Board only	€442,00

*Note: Do not mix junction box models or use other brands of junction boxes with Rice Lake junction boxes. There is a risk of system instability.*



### Specifications

#### Cable Fittings:

11 nylon cable strain relief for cable dimension range: 2-8 mm

#### Connectors:

Electrovert 0,197 miniature screw terminals, five positions  
Maximum wire size: # 14 AWG  
External enclosure ground stud

#### Trimming:

Individual cell and section signal trim

#### Potentiometers:

100.000 ohm, 25 turns cermet

#### Enclosure:

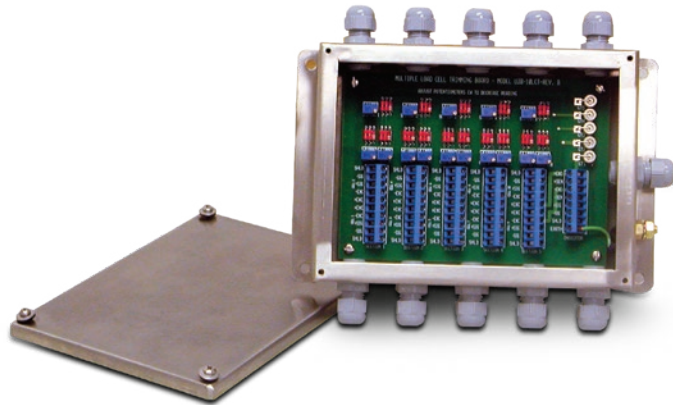
Stainless steel

#### Circuit Board:

165 x 114 mm

#### Warranty:

One-year limited warranty



### Standard Features

- NEMA 4X stainless steel enclosure
- Transient protection using gas discharge tubes
- Section and individual cell trim capability
- Compact enclosure only 45 mm deep
- Strain relief cable fitting
- Number of cells: Two, four, six, eight or 10 single load cells
- Any unused channels require modification

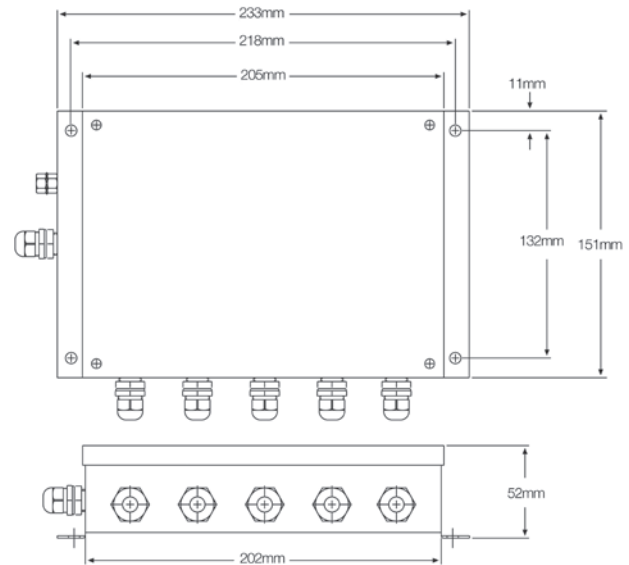
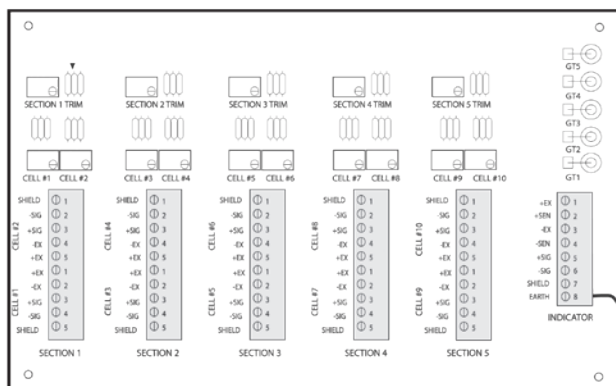
### Applications

- Tank, truck and railroad scales
- Summing 10 load cells with individual and section trimming capability

### Part Numbers

Part #	Description	Price
68813	JB 1010ST signal trim junction box	€556,00
68811	Board only	€428,00

*Note: Do not mix junction box models or use other brands of junction boxes with Rice Lake junction boxes. There is a risk of system instability.*



# iQUBE 2®

Digital Diagnostic Junction Box

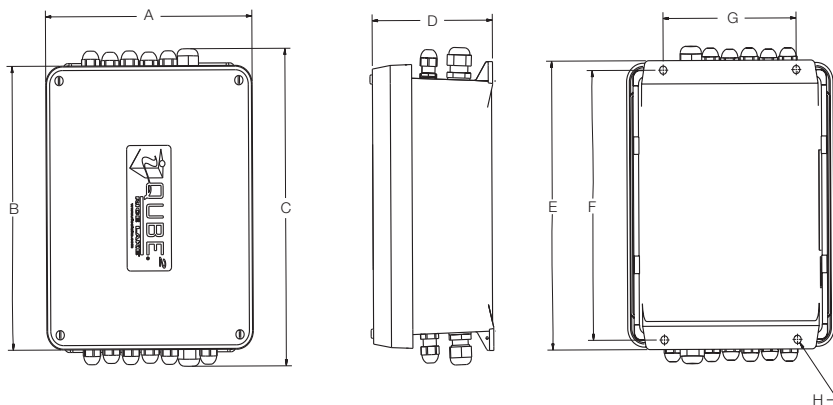


## Standard Features:

- iQUBE<sup>2</sup> board has four A/D channels
- Stainless steel or Fiberglass Reinforced Polyester (FRP), NEMA Type 4X polyester enclosure
- Supports networking up to four boards, for 16 A/D channels. Connection can be up to four separate platforms with a system total, or four separate scales systems
- Diagnostic routines for weighing errors and system health
- Cell tests for overloaded, underloaded, zero reference, drift, noise, and unbalanced conditions
- Onboard status LEDs for communications and visual bi-color indication of cell health
- Cell emulator compensates for load cell failure until a repair can be made
- Cal-Match<sup>®</sup> algorithm automatically trims and calibrates the scale in one pass of test weights (stopping over each mount)
- Standard communication RS-232/RS-422
- Option card slot for fiber-optic, Ethernet TCP/IP, wireless TCP/IP, USB or RS-232/485
- Four digital I/O per card, for push button operation, setpoint controller cell status

## Dimensions

Stainless Steel 8 in x 10 in			
A	226,3 mm	E	292,1 mm
B	257,3 mm	F	268,5 mm
C	319,3 mm	G	152,4 mm
D	109 mm	H	7,9 mm
FRP Large 10 in x 12 in			
A	287 mm	E	343,7 mm
B	338,6 mm	F	324,1 mm
C	355,6 mm	G	203,2 mm
D	141,5 mm	H	7,9 mm
FRP Small 8 in x 10 in			
A	236,5 mm	E	287,2 mm
B	287,2 mm	F	273,1 mm
C	326,4 mm	G	152,4 mm
D	137,7 mm	H	7,9 mm



## Specifications:

### Enclosure:

Stainless steel or Fiberglass Reinforced Polyester (FRP), NEMA Type 4X enclosure

### Voltage Input:

115/230 VAC power supply DC/DC converter for 9-36 V  
6-12 VDC to CPU

### Load Cell Inputs:

Four channels per board up to four networked boards

### A/D Sampling Rate:

2.5-500 Hz (selectable)

### Temperature Range:

-10°C to 40°C

### Analog Signal Sensitivity:

0,3 uV/grad at 30 Hz  
0,5 uV/grad at 100 Hz  
1,2 uV/grad at 500 Hz

### Load Cell Excitation:

5 VDC, 57 mA maximum per channel

### Analog Range:

-4,5 mV/V to 4,5 mV/V

### Approvals:

NTEP 03-032  
Measurement Canada - AM-5561, Rev. 1  
UL E151461  
CE

### Warranty:

Two-year limited warranty

## Applications:

- Truck and railroad scales
- Tank and hopper scales
- Multi-channel scales
- Interfaces to 920i<sup>®</sup>, Virtui2<sup>®</sup>, and ASCII serial commands

Part Number/Price

Part #	Description	Est. Weight	Price
<b>With AC Power Supply</b>			
108425*	iQUBE2, four-channel, FRP 203 mm x 254 mm junction box	4 kg	€1.045,00
108426	iQUBE2, four-channel, FRP 254 mm x 305 mm junction box	5 kg	€1.235,00
108427	iQUBE2, eight-channel, FRP 254 mm x 305 mm junction box	5 kg	€1.995,00
108428*	iQUBE2, four-channel, stainless steel 203 mm x 254 mm junction box	5,9 kg	€1.710,00
<b>Without Power Supply</b>			
108429*	iQUBE2, four-channel, FRP 203 mm x 254 mm junction box	3,6 kg	€950,00
108430	iQUBE2, four-channel, FRP 254 mm x 305 mm junction box	4,5 kg	€1.140,00
108431	iQUBE2, eight-channel, FRP 254 mm x 305 mm junction box	4,5 kg	€1.900,00
108432*	iQUBE2, four-channel, stainless steel 203 mm x 254 mm junction box	5,4 kg	€1.710,00
<b>Conduit Adaptors</b>			
92734	Conduit adaptor 3/8 in NPT to 3/4 in NPT		€24,00
92735	Conduit adaptor 1/2 in NPT to 3/4 in NPT		€24,00

\* Enclosure size 8 in x 10 in required for truck scale junction box pocket

Note: Do not mix junction box models or use other brands of junction boxes with Rice Lake junction boxes. There is a risk of system instability.

Options/Accessories

Part #	Description	Price
108433	Four-channel iQUBE2 board with cables and connectors	€760,00
97475	DC/DC power supply, 9-36 VDC (requires factory installation)	€167,00
108434	Remote power supply 115/230 VAC and transient board with enclosure	€262,00
109396	Transient board	€62,00
110949	Transient board with mount	€76,00
161936	Hotspot Wi-Fi 802.11 a, b, g	€1.136,00
161954	Hotspot in FRP enclosure	€2.846,00
<b>Communication Card</b>		
108579	RS-232/RS-485 port	€247,00
77142	Ethernet TCP/IP	€399,00
108671	Wireless LAN 802.11 B/G	€542,00
93245	USB port	€176,00
77143	Fiber-optic board	€190,00
77788	Fiber-optic board (installed in 920i)	€190,00
<b>Duplex Fiber (Max Run 350 ft)</b>		
78026	Fiber-optic cable, 100 ft	€152,00
78027	Fiber-optic cable, 200 ft	€285,00
78910	Fiber-optic cable, custom length	€4,24
<b>Home Run Cable</b>		
116587	EL166 16 gauge, six conductor, shielded	€2,60
<b>Software</b>		
77925	Revolution <sup>®</sup> configuration software	€34,00
108435	Virtui2 <sup>®</sup> virtual indicator demo CD	Consult
108436	Virtui2 activation part number	€475,00
112262	Firmware update flash cable	€48,00
<b>920i<sup>®</sup> Indicators for use with iQUBE2, requires version 4 software</b>		
77790	920i universal, 115 VAC, without A/D	€2.067,00
77791	920i universal, 230 VAC, without A/D	€2.067,00
93243	920i deep universal, 115 VAC, without A/D	€2.257,00
93244	920i deep universal, 230 VAC, without A/D	€2.257,00
77792	920i panel mount, 115 VAC, without A/D	€2.067,00
77793	920i panel mount, 230 VAC, without A/D	€2.067,00
77794	920i wall mount, 115 VAC, without A/D	€2.684,00
77795	920i wall mount, 230 VAC, without A/D	€2.684,00



## iQUBE<sup>2</sup><sup>®</sup>

Digital Diagnostic Junction Box

### Options/Accessories

Part #	Description	Price
<b>1280 Indicators for use with iQUBE2</b>		
189623	1280 7 in touch-only, AC power supply, no power cord, standard display, without A/D	Consult
188526	1280 7 in touch-only, AC power supply, no power cord, high visibility display, without A/D	Consult
188395	1280 12 in touch-only, AC power supply, no power cord, high visibility display, without A/D	€3.259,00
181073	1280 panel mount, DC power supply, no power cord, standard display, without A/D	Consult
178473	1280 panel mount, AC power supply, no power cord, high visibility display, without A/D	Consult
176214	1280 wall mount, AC power supply, U.S. power cord, standard display, without A/D	Consult
171667	1280 wall mount, AC power supply, U.S. power cord, high visibility display, without A/D	Consult
174750	1280 panel mount, AC power supply, no power cord, standard display, without A/D	Consult
174207	1280 universal, AC power supply, Europe power cord, standard display, without A/D	Consult
171582	1280 universal, AC power supply, U.S. power cord, standard display, without A/D	Consult
188713	1280 universal, DC power supply, no power cord, standard display, without A/D	Consult
171540	1280 universal, DC power supply, no power cord, high visibility display, without A/D	Consult
172419	1280 universal, AC power supply, U.S. power cord, high visibility display, without A/D	Consult

## Specifications:

**Range:**

0-3 mV/V, variable

**Impedance:**

700 ohm nominal

**Connectors:**

Binding posts suitable for banana plug or 14 gauge wire

**Temperature Coefficient:**

±100 ppm/°C

**Dimensions:**

(L x W x H) 114,3 mm x 88,9 mm x 31,8 mm

**Warranty:**

One-year limited warranty



## Standard Features:

- ABS plastic case, weighs less than 0,5 kg
- Large vernier knob, smooth 10 turn potentiometer
- Ideal tool for troubleshooting a scale system, bench testing stability of indicators and setpoint simulation
- Binding posts are color coded to ISA S37.8 standard

## Part Number/Price

Part #	Description	Price
68029	Ranger 1 variable range simulator	€148,00

## Options/Accessories

Part #	Description	Price
21116	Cable with banana plugs	€62,00

# Ranger 3



## Standard Features:

- ABS plastic case, weighs less than 0,5kg
- Fixed rotary switch, -0,5 mV/V to 4,5mV/V in nine steps of 0,5mV/V per step
- Ideal tool for calibrating the indicator A-D offset and gain setting
- A-D calibration steps for -0,5 mV/V for offset and 4,5mV/V for gain
- Used in testing, troubleshooting and digital weight indicators
- Binding posts are color coded to ISA S37.8 standard

## Part Number/Price

Part#	Description	Price
68030	Ranger 3 simulator	€357,00

## Options/Accessories

Part#	Description	Price
21116	Cable with banana plugs	€62,00

## Specifications:

- Range:**  
-0,5 mV/V-4,5 mV/V, fixed
- Impedance:**  
350 ohm nominal
- Nonlinearity:**  
Less than 0,02%
- Connectors:**  
Binding posts suitable for banana plug or 14-gauge wire
- Temperature Coefficient:**  
±5 ppm/°C
- Dimensions:**  
(L x W H) 114,3 mm x 88,9 mm x 31,8 mm
- Warranty:**  
One-year limited warranty

# Transducer Simulator 4



## Standard Features:

- Designed for high accuracy
- Sealed lid with neoprene O-ring
- Dust proof and crush tested to 226,8kg
- Four operational modes including vernier adjustment, adjustment, 0,25 mV/V offset and 0,50 mV/V offset
- Ideal for setpoint or batching simulation

## Part Number/Price

Part#	Description	Price
22513	Transducer simulator 4	€784,00

## Options/Accessories

Part#	Description	Price
21116	Cable with banana plugs	€62,00

## Specifications:

- Range:**  
Choose any fixed setting ± 0,25 mV/V or 0,50 mV/V through a ten-turn wire-wound potentiometer with locking clutch, fixed and variable
- Maximum Voltage:**  
15V
- Linearity:**  
Less than ± 0,02% full scale
- Temperature Coefficient:**  
Absolute 5 ppm/°C; Tracking less than 0,5 ppm/°C
- Load Factors:**  
Simulates one, two, three, four or eight 350-ohm load cells or two, four, six, eight or 16 700-ohm load cells
- Offset:**  
+0,25 mV/V for use with digitally calibrated meters requiring positive dead load for calibration
- Connectors:**  
Six-way binding posts, suitable for loose wires or banana plug
- Warranty:**  
One-year limited warranty

## Ranger 5

### Specifications:

**Range:**

-0,5 mV/V–4,5 mV/V, fixed

**Vernier:**

Variable range: up to 0,5 mV/V, up to 1 mV/V, up to 1,5 mV/V

**Impedance:**

350 ohm nominal

**Nonlinearity:**

Less than 0,02%

**Connectors:**

Binding posts suitable for banana plug or 14 gauge wire

**Temperature Coefficient:**

±5 ppm/°C

**Dimensions:**

(W x L x H) 114,3 mm x 88,9 mm x 31,8 mm

**Warranty:**

One-year limited warranty



### Standard Features:

- ABS plastic case, weighs less than 0,5 kg
- Fixed rotary switch, -0,5 mV/V to 4,5 mV/V in nine steps of 0,5 mV/V per step
- 10 turn vernier with locking graduated dial
- Vernier selection of four ranges: Off, Fine, Medium and Coarse
- Ideal tool for calibrating indicator A-D offset and gain setting
- A-D calibration steps for -0,5 mV/V for offset and 4,5 mV/V for gain
- Used in testing, troubleshooting and digital weight indicators
- Binding posts are color coded to ISA S37.8 standard

### Part Number/Price

Part #	Description	Price
68031	Ranger 5 simulator	€452,00

### Options/Accessories

Part #	Description	Price
21116	Cable with banana plugs	€62,00

## Ranger 7

### Specifications:

**Vernier:**

Two ranges; one is equal to the sum of the 0,05 mV/V switch and the 0-0,5 mV/V switch. The other is the sum of the 0,5 mV/V, 0,1 mV/V and 0,01 mV/V switches

**Load Impedance:**

Three settings: X0.5= 700Ω, X1= 350Ω (one standard load cell), X4= 87,5Ω (four load cell platform)

**Linearity:**

± 0,01% + 1µV

**Connectors:**

Low thermal electronics, type 2758 precision gold plated binding posts standard banana jacks or 14 AWG wire

**Temperature Coefficient:**

5 ppm/°C

**Zero Offset:**

± 0,0005 mV/V

**Output Range:**

0-3 mV/V in 0,01 mV/V steps

**LED Annunciators:**

EXC +  
EXC -  
Offset ON  
0,5 mV/V  
0,1 mV/V



### Standard Features:

- Designed for high resolution, used in high precision testing, troubleshooting and calibrating of digital weight indicators
- Switchable offset
- Painted die cast enclosure

### Part Number/Price

Part #	Description	Price
157323	Ranger 7 high resolution calibration simulator	€855,00

### Options/Accessories

Part #	Description	Price
21116	Cable with banana plugs	€62,00



# Load Cells

## TABLE OF CONTENTS

### SINGLE-ENDED BEAM

<b>RL35</b> .....	<b>221</b>
<i>Alloy or Stainless Steel, Hermetically Sealed, OIML C3, IP66 or IP68/IP69K</i>	
<b>RL1415</b> .....	<b>222</b>
<i>Stainless Steel, Hermetically Sealed, C3, IP68</i>	
<b>RL1425</b> .....	<b>223</b>
<i>Stainless Steel, Hermetically Sealed, C3, IP68</i>	
<b>RL1434</b> .....	<b>224</b>
<i>Stainless Steel, Hermetically Sealed, C3, IP67</i>	
<b>RL1443</b> .....	<b>225</b>
<i>Alloy Steel, Environmentally Sealed, C3, IP67</i>	
<b>RL1444</b> .....	<b>226</b>
<i>Stainless Steel, Environmentally Sealed, C3, IP67</i>	
<b>RL1436</b> .....	<b>227</b>
<i>Stainless Steel, Hermetically Sealed, C3, IP69K</i>	
<b>RL1454</b> .....	<b>228</b>
<i>Stainless Steel, Welded Seal, C3/C4, IP67</i>	
<b>RL1464</b> .....	<b>229</b>
<i>Stainless Steel, Welded Seal, C3/C4, IP67</i>	
<b>RL1465</b> .....	<b>230</b>
<i>Stainless Steel, Welded Seal, C3/C4, IP68</i>	
<b>RL1515</b> .....	<b>231</b>
<i>Stainless Steel, Welded Seal, C3, IP68</i>	
<b>RL1525</b> .....	<b>232</b>
<i>Stainless Steel, Welded Seal, C3, IP68</i>	
<b>RL1535</b> .....	<b>233</b>
<i>Stainless Steel, Welded Seal, C3, IP68</i>	

### BENDING BEAM

<b>RL30</b> .....	<b>234</b>
<i>Stainless Steel, Welded Seal, OIML C3, IP68/IP69K</i>	

### DOUBLE-ENDED BEAM

<b>RL46</b> .....	<b>235</b>
<i>Stainless Steel, Hermetically Sealed, OIML C3, IP68</i>	
<b>RL92</b> .....	<b>236</b>
<i>Stainless Steel, Welded Seal, C3/C4/C5, IP67</i>	
<b>RL93</b> .....	<b>237</b>
<i>Stainless Steel, Welded Seal, C3/C4/C5/C6, IP67</i>	
<b>RL94</b> .....	<b>238</b>
<i>Stainless Steel, Welded Seal, C3, IP67</i>	

### SINGLE-POINT

<b>RL19</b> .....	<b>239</b>
<i>Stainless Steel, Hermetically Sealed, OIML C3, IP68/IP69K</i>	
<b>RL4413/RL4423</b> .....	<b>240</b>
<i>Alloy Steel, Environmentally Sealed, C3/C4/C5/C6, IP67</i>	
<b>RL4434</b> .....	<b>241</b>
<i>Stainless Steel, Environmentally Sealed, C6, IP67</i>	

<b>RL4435</b> .....	<b>242</b>
<i>Stainless Steel, Environmentally Sealed, C6, IP68</i>	
<b>RL4444</b> .....	<b>243</b>
<i>Stainless Steel, Environmentally Sealed, C3/C4, IP67</i>	
<b>RL4454</b> .....	<b>244</b>
<i>Stainless Steel, Environmentally Sealed, C3/C4, IP67</i>	
<b>RL4521</b> .....	<b>245</b>
<i>Aluminum, Environmentally Sealed, IP67</i>	
<b>RL4511</b> .....	<b>246</b>
<i>Aluminum, Environmentally Sealed, IP67</i>	
<b>RL4534</b> .....	<b>247</b>
<i>Stainless Steel, Potted, IP67</i>	

### S-BEAM

<b>RL65</b> .....	<b>248</b>
<i>Stainless Steel, Welded Seal, C3, IP68</i>	
<b>RL3413</b> .....	<b>249</b>
<i>Alloy Steel, Welded Seal, C3/C4/C5/C6, IP67</i>	
<b>RL3414</b> .....	<b>250</b>
<i>Stainless Steel, Welded Seal, C3/C4/C5/C6, IP67</i>	
<b>RL3423</b> .....	<b>251</b>
<i>Alloy Steel, Welded Seal, C3/C4, IP67</i>	
<b>RL3424</b> .....	<b>252</b>
<i>Stainless Steel, Welded Seal, C4, IP68</i>	
<b>RL3433</b> .....	<b>253</b>
<i>Alloy Steel, Welded Seal, C3/C4, IP67</i>	
<b>RL3434</b> .....	<b>254</b>
<i>Stainless Steel, Welded Seal, C4, IP67</i>	

### COMPRESSION CANISTER

<b>RL42</b> .....	<b>255</b>
<i>Stainless Steel, Hermetically Sealed, C1, IP68</i>	
<b>RL74</b> .....	<b>256</b>
<i>Stainless Steel, Hermetically Sealed, OIML C1/C4, IP68/IP69K</i>	
<b>RL96</b> .....	<b>257</b>
<i>Stainless Steel, Welded Seal, C3/C4, IP69K</i>	
<b>RL97</b> .....	<b>258</b>
<i>Stainless Steel, Welded Seal, C3/C4, IP69K</i>	
<b>RL98</b> .....	<b>259</b>
<i>Stainless Steel, Welded Seal, C3/C4, IP69K</i>	
<b>RL5416</b> .....	<b>260</b>
<i>Stainless Steel, Welded Seal, OIML C4, IP69K</i>	
<b>RL5416D</b> .....	<b>261</b>
<i>Digital Stainless Steel, Hermetically Sealed, C4, IP69K</i>	
<b>RL5416DC</b> .....	<b>262</b>
<i>Digital Stainless Steel, Hermetically Sealed, C4, IP68</i>	
<b>RL5426</b> .....	<b>263</b>
<i>Stainless Steel, Hermetically Sealed, OIML C6, IP69K</i>	
<b>RL5426D</b> .....	<b>264</b>
<i>Digital, Stainless Steel, Hermetically Sealed, C6, IP69K</i>	
<b>RL5426DC</b> .....	<b>265</b>
<i>Digital, Stainless Steel, Hermetically Sealed, C6, IP68</i>	

### COMPRESSION DISK

<b>RL6515</b> .....	<b>266</b>
<i>Stainless Steel, Welded Seal, IP68</i>	

### SENSORS

<b>MSI-LOAD PIN SENSORS</b> .....	<b>267</b>
<b>MSI-LOAD PIN QUESTIONNAIRE</b> .....	<b>268</b>

### WEIGH MODULES WITHOUT LOAD CELLS

<b>RL30</b> .....	<b>270</b>
<i>Small to Medium Capacity</i>	
<b>RL35</b> .....	<b>272</b>
<i>Mount Options, Small to Light Capacity</i>	
<b>RL42</b> .....	<b>275</b>
<i>Silo Mount, Small to Medium Capacity</i>	
<b>RL46</b> .....	<b>276</b>
<i>Medium to Heavy Capacity, Alloy or Stainless Steel</i>	
<b>RL74</b> .....	<b>278</b>
<i>Options for Silo Weighing</i>	
<b>RL921 (TETON TOP)</b> .....	<b>280</b>
<i>Mount Tank, Hopper and Vessel Weighing, Nickel or Stainless Steel</i>	
<b>RL923 (BALL MOUNT TOP)</b> .....	<b>281</b>
<i>Mount Tank, Hopper and Vessel Weighing, Nickel or Stainless Steel</i>	
<b>RL931 (ROUND TOP)</b> .....	<b>282</b>
<b>RL933 (BALL ROUND TOP)</b> .....	<b>282</b>
<i>Medium to Heavy Capacity</i>	
<b>RL932 (SQUARE TOP)</b> .....	<b>283</b>
<i>Medium to Heavy Capacity</i>	
<b>RL942</b> .....	<b>284</b>
<i>Mount Tank, Hopper and Vessel Weighing</i>	
<b>RL964</b> .....	<b>285</b>
<i>Heavy Capacity Pendulum Mount Tank, Hopper and Vessel Weighing</i>	
<b>RL972</b> .....	<b>286</b>
<i>Heavy Capacity, Square Top</i>	
<b>RL981</b> .....	<b>288</b>
<i>Heavy Capacity</i>	
<b>FLINTEC 52-18</b> .....	<b>289</b>
<i>Medium to Heavy Capacity</i>	
<b>RL1515/RL1525</b> .....	<b>290</b>
<b>RL1535</b> .....	<b>291</b>
<i>Nickel-plated/Stainless Steel</i>	
<b>WEIGH MODULES WITH LOAD CELLS</b>	
<b>PARAMOUNTS® EP</b> .....	<b>292</b>
<i>Environmentally Protected, Mild Steel, Light to Medium Capacity Tank Weighing Systems</i>	
<b>PARAMOUNTS® EP</b>	
<b>RL9000TWM SERIES</b> .....	<b>294</b>
<i>Tank, Hopper and Vessel Weighing Assembly</i>	
<b>RL9000TWM-HT</b> .....	<b>298</b>
<i>Tank, Hopper and Vessel Weigh Module</i>	
<b>EZ MOUNT 1</b> .....	<b>300</b>
<i>Mild Steel Weigh Modules</i>	
<b>EZ MOUNT 1</b> .....	<b>302</b>
<i>Stainless Steel Weigh Modules</i>	
<b>RL1600 SERIES</b> .....	<b>304</b>
<i>Cast Iron Weigh Modules</i>	
<b>RL1600 SERIES</b> .....	<b>306</b>
<i>Mild Steel Weigh Modules</i>	
<b>RL1600 SERIES</b> .....	<b>308</b>
<i>Stainless Steel Weigh Modules</i>	
<b>MOTOR TRUCK SCALE</b>	
<b>ELECTRONIC CONVERSION KIT</b> .....	<b>310</b>

## Looking for products?

Please visit [www.ricelake.com/global](http://www.ricelake.com/global) for current product pricing or call our European office at +31 (0) 26 472 1319 to talk to an industry expert about our product offerings and customized solutions.



**Specifications**

- Full Scale Output:**  
2,0mV/V
- Output Resistance:**  
350 ohms, ±3
- Input Resistance:**  
400 ohms, ±20
- Material Finish:**  
Alloy or stainless steel
- Temperature:**  
-10° C to 40° C
- Seal Type:**  
Hermetically sealed, IP66 or IP68/IP69K
- Safe Overload:**  
200%
- Rated Excitation:**  
10V
- Combined Error:**  
<± 0,017%
- Insulation Resistance:**  
>5.000
- Cable Length:**  
5 m
- Cable Construction:**  
PVC
- Cable Color Code:**  
Green .....+ Excitation  
Black .....- Excitation  
Red .....+ Signal  
White .....- Signal  
Blue .....+ Sense  
Yellow .....- Sense
- Warranty:**  
One-year limited warranty

**Approvals:**



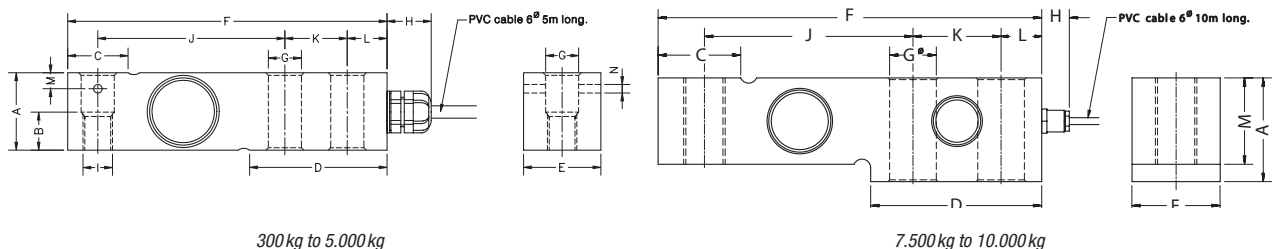
**Order Information**

*Picture is a representation of actual product*

Load Rating	Part #	Est. Weight	Price
<b>RL35N / Alloy Steel / IP66</b>			
300 kg	163160	0,9 kg	€112,00
500 kg	163161	0,9 kg	€112,00
750 kg	163162	0,9 kg	€112,00
1.000 kg	163163	0,9 kg	€112,00
2.000 kg	163164	0,9 kg	€112,00
<b>RL35A / Stainless Steel / IP66</b>			
300 kg	163165	0,9 kg	€134,00
500 kg	163166	0,9 kg	€134,00
750 kg	163167	0,9 kg	€134,00
1.000 kg	163168	0,9 kg	€134,00
1.500 kg	163169	0,9 kg	€134,00
2.000 kg	163170	0,9 kg	€134,00
3.000 kg	163171	2,2 kg	€274,00
5.000 kg	163172	2,2 kg	€274,00
<b>RL35 / Stainless Steel / Hermetically Sealed / IP68/IP69K</b>			
300 kg	160836	0,9 kg	€143,00
500 kg	160837	0,9 kg	€143,00
750 kg	160838	0,9 kg	€143,00
1.000 kg	160839	0,9 kg	€143,00
1.500 kg	160840	0,9 kg	€143,00
2.000 kg	160841	0,9 kg	€143,00
3.000 kg	160842	2,2 kg	€295,00
5.000 kg	160843	2,2 kg	€295,00
7.500 kg	160844	4,3 kg	€417,00
10.000 kg	160845	4,3 kg	€417,00
<b>Options</b>			
Consult	ATEX versions		Consult
RL35T	Blind loading hole		Consult

**Dimensions**

Rated Capacity	A	B	C	D	E	F	G	H	I	J	K	L	M	N
<b>mm</b>														
300-2.000 kg	32	15	25	56	32	130	13,5	18	M12	76	25	16	7	3,5
3.000-5.000 kg	48	-	37	76	42	172	21,5	18	-	95	38	19	-	-
7.500-10.000 kg	60	-	48	99	51	222	27	16	M24x2	121	51	24	50	-



300 kg to 5.000 kg

7.500 kg to 10.000 kg

SINGLE-ENDED BEAM

# RL1415

Stainless Steel, Hermetically Sealed, C3, IP68



## Specifications

**Full Scale Output:**

2,0 mV/V

**Output Resistance:**

350 ohms ± 3

**Input Resistance:**

350 ohms ± 3

**Material/Finish:**

Stainless steel

**Temperature:**

-10° C to 40° C

**Seal Type:**

Hermetically sealed, IP68

**Rated Excitation:**

15V

**Insulation Resistance:**

5000 Megohms

**Cable Length:**

5 m

**Cable Construction:**

PVC

**Cable Color Code:**

Red .....+ Excitation  
 Black.....- Excitation  
 Green .....+ Signal  
 White .....- Signal  
 Yellow .....+ Sense  
 Blue .....- Sense

**Warranty:**

One-year limited warranty

**Approvals:**

Complies with  
 OIML R60 C3  
 C4 available



## Order Information

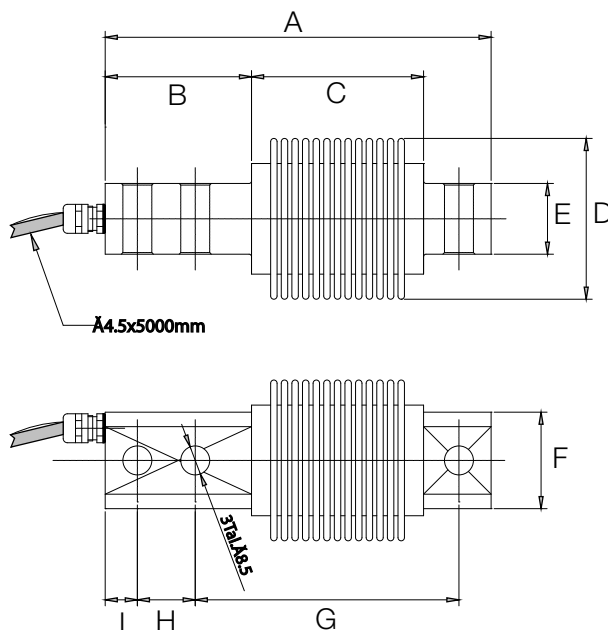
Picture is a representation of actual product

Load Rating	Part#	Price
10 kg*	169840	€170,00
15 kg*	169841	€170,00
25 kg	169842	€170,00
50 kg	169843	€170,00
100 kg	169844	€170,00
150 kg	169845	€170,00
200 kg	169846	€170,00


\* Capacities without CE Test Certificate

## Dimensions

Nominal Capacity	A	B	C	D	E	F	G	H	I
mm									
10-200 kg	120	46,5	51,5	∅42	22	∅31	82,5	18	10



**Specifications**

- Full Scale Output:**  
2,0 mV/V
- Output Resistance:**  
350 ohms ± 3
- Input Resistance:**  
350 ohms ± 3
- Material/Finish:**  
Stainless steel
- Temperature:**  
-10° C to 40° C
- Seal Type:**  
Hermetically sealed, IP68
- Rated Excitation:**  
15V
- Insulation Resistance:**  
5.000 Megohms
- Cable Length:**  
5m
- Cable Construction:**  
PVC
- Cable Color Code:**  
 Red .....+ Excitation  
 Black.....- Excitation  
 Green .....+ Signal  
 White .....- Signal  
 Yellow .....+ Sense  
 Blue .....- Sense
- Warranty:**  
One-year limited warranty
- Approvals:**  
 Complies with  
 OIML R60 C3  
 C4 available
 



**Order Information**

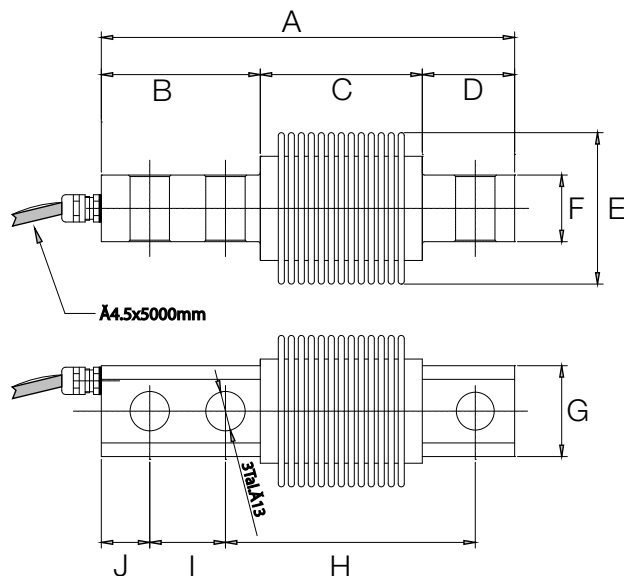
*Picture is a representation of actual product*

Load Rating	Part#	Price
10 kg*	169825	€170,00
15 kg*	169826	€170,00
25 kg	169827	€170,00
30 kg	169828	€170,00
50 kg	169829	€170,00
75 kg	169830	€170,00
100 kg	169831	€170,00
150 kg	169832	€170,00
200 kg	169839	€170,00
250 kg	169833	€170,00
300 kg	169834	€170,00
500 kg	169835	€170,00
750 kg	169836	€170,00
1000 kg	169837	€170,00
1500 kg	169838	€170,00

\* Capacities without CE Test Certificate

**Dimensions**

Nominal Capacity	A	B	C	D	E	F	G	H	I	J
mm										
10-1500 kg	136,5	52,5	53,5	30,5	∅50	22	∅30	82,5	25	16



# RL1434

Stainless Steel, Hermetically Sealed, C3, IP67



## Specifications

- Full Scale Output:**  
2,0 mV/V
- Output Resistance:**  
350 ohms ± 3
- Input Resistance:**  
350 ohms ± 3
- Material/Finish:**  
Stainless steel
- Temperature:**  
-10° C to 40° C
- Seal Type:**  
Hermetically sealed, IP69K
- Rated Excitation:**  
15V
- Insulation Resistance:**  
5.000 Megohms
- Cable Length:**  
5 m
- Cable Construction:**  
PVC
- Cable Color Code:**  
Red .....+ Excitation  
Black.....- Excitation  
Green .....+ Signal  
White .....- Signal  
Yellow .....+ Sense  
Blue .....- Sense

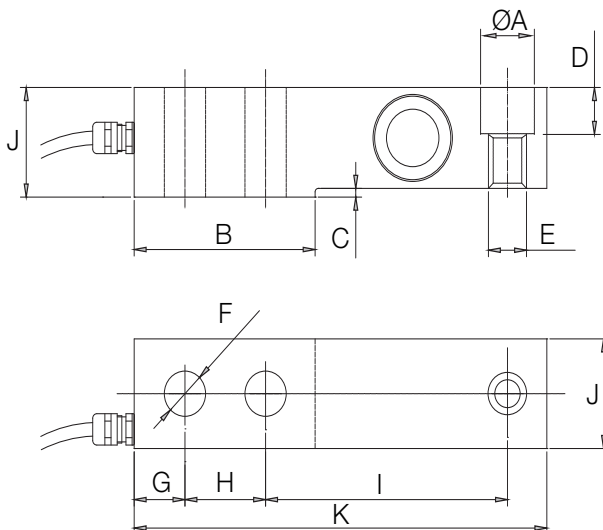
## Order Information

Picture is a representation of actual product

Load Rating	Part#	Price
500 kg	173220	€140,00
550 kg	173221	€140,00
750 kg	173222	€140,00
1000 kg	173223	€140,00
1100 kg	173224	€140,00
1500 kg	173225	€140,00
1760 kg	173226	€140,00

## Dimensions

Nominal Capacity	A	B	C	D	E	F	G	H	I	J	K
mm											
500/750/1000/1500 kg	13,5	57	2,5	13,5	M12	∅13	16	25,4	76,2	31,5	130
550/1100/1760 kg	20,6	57	2,5	13,5	M12	∅13	16	25,4	76,2	31,5	130




**Warranty:**  
One-year limited warranty

### Approvals:

Complies with  
OIML R60 C3  
C4 available



**Specifications**

- Full Scale Output:**  
2,0 mV/V
- Output Resistance:**  
350 ohms ± 3
- Input Resistance:**  
350 ohms ± 3
- Material/Finish:**  
Alloy steel
- Temperature:**  
-10° C to 40° C
- Seal Type:**  
Environmentally sealed, IP67
- Rated Excitation:**  
15V
- Insulation Resistance:**  
5.000 Megohms
- Cable Length:**  
5 m
- Cable Construction:**  
PVC
- Cable Color Code:**  
 Red .....+ Excitation  
 Black.....- Excitation  
 Green .....+ Signal  
 White .....- Signal  
 Yellow .....+ Sense  
 Blue .....- Sense
- Warranty:**  
One-year limited warranty
- Approvals:**  
 Complies with  
 OIML R60 C3  
 C4 available
 



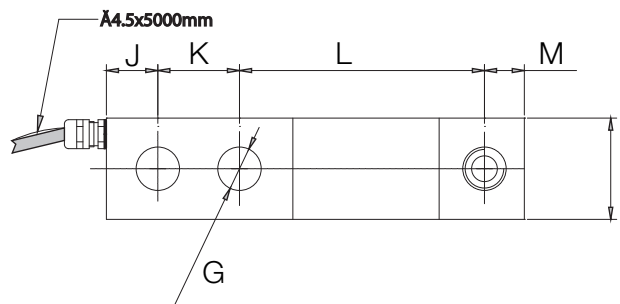
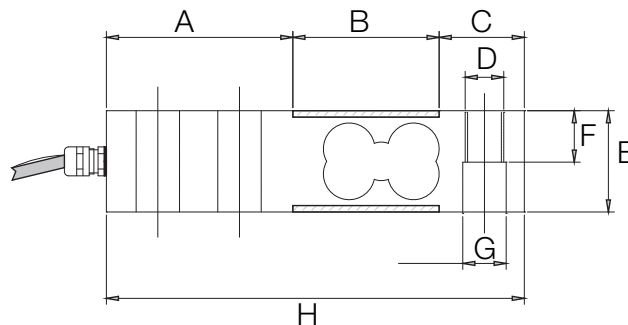
**Order Information**

*Picture is a representation of actual product*

Load Rating	Part#	Price
30 kg	173235	€173,00
50 kg	173236	€173,00
75 kg	173237	€173,00
100 kg	173238	€173,00
150 kg	173239	€173,00
200 kg	173240	€173,00
250 kg	173241	€173,00
300 kg	173242	€173,00

**Dimensions**

Nominal Capacity	A	B	C	D	E	F	G	H	I	J	K	L	M
mm													
30-300 kg	58	45,5	26,5	M12	31,5	15,5	13	130	31,5	16	25,4	76,2	12,4



SINGLE-ENDED BEAM

# RL1444

Stainless Steel, Environmentally Sealed, C3, IP67



## Specifications

**Full Scale Output:**  
2,0 mV/V

**Output Resistance:**  
350 ohms ± 3

**Input Resistance:**  
350 ohms ± 3

**Material/Finish:**  
Stainless steel

**Temperature:**  
-10° C to 40° C

**Seal Type:**  
Environmentally sealed, IP67

**Rated Excitation:**  
15V

**Insulation Resistance:**  
5.000 Megohms

**Cable Length:**  
5 m

**Cable Construction:**  
PVC

**Cable Color Code:**  
Red .....+ Excitation  
Black.....- Excitation  
Green .....+ Signal  
White .....- Signal  
Yellow .....+ Sense  
Blue .....- Sense

**Warranty:**  
One-year limited warranty

**Approvals:**  
Complies with  
OIML R60 C3  
C4/C5/C6 available

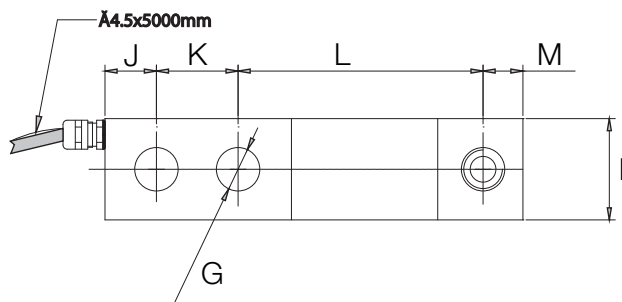
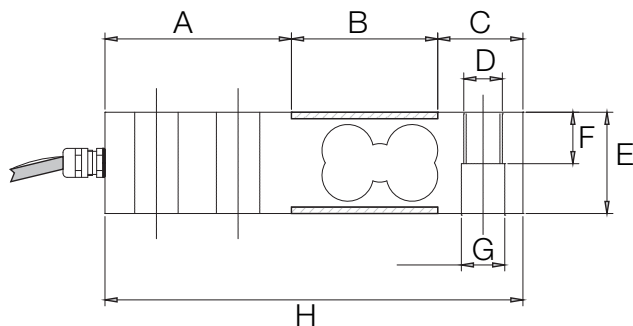
## Order Information

Picture is a representation of actual product

Load Rating	Part #	Price
30 kg	169803	€173,00
50 kg	169804	€173,00
75 kg	169805	€173,00
100 kg	169806	€173,00
150 kg	169807	€173,00
200 kg	169808	€173,00
250 kg	169809	€173,00
300 kg	169810	€173,00

## Dimensions

Nominal Capacity	A	B	C	D	E	F	G	H	I	J	K	L	M
mm													
30-300 kg	58	45,5	26,5	M12	31,5	15,5	13	130	31,5	16	25,4	76,2	12,4



**Specifications**

- Full Scale Output:**  
2,0 mV/V
- Output Resistance:**  
350 ohms ± 3
- Input Resistance:**  
350 ohms ± 3
- Material/Finish:**  
Stainless steel
- Temperature:**  
-10° C to 40° C
- Seal Type:**  
Hermetically sealed, IP69K
- Rated Excitation:**  
15V
- Insulation Resistance:**  
5.000 Megohms
- Cable Length:**  
5 m
- Cable Construction:**  
PVC
- Cable Color Code:**  
 Red .....+ Excitation  
 Black.....- Excitation  
 Green .....+ Signal  
 White .....- Signal  
 Yellow .....+ Sense  
 Blue .....- Sense
- Warranty:**  
One-year limited warranty
- Approvals:**  
 Complies with  
 OIML R60 C3  
 C4 available



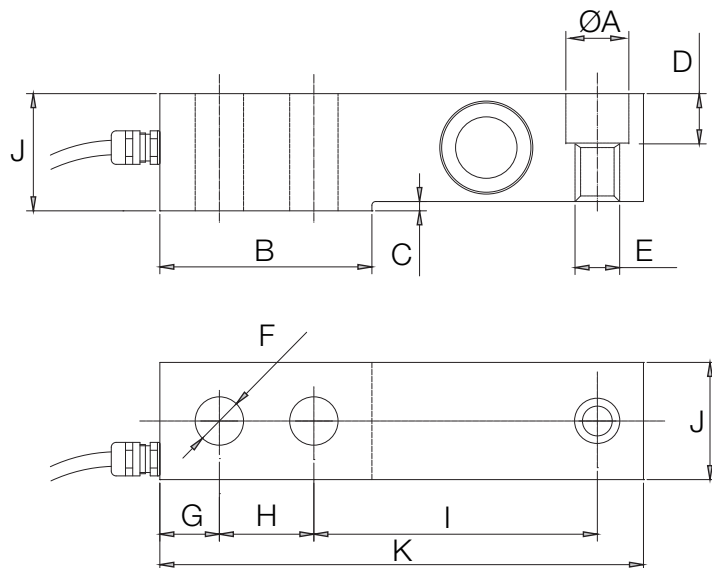
**Order Information**

*Picture is a representation of actual product*

Load Rating	Part#	Price
500 kg	169812	€155,00
550 kg	169813	€155,00
750 kg	169815	€155,00
1000 kg	169814	€155,00
1100 kg	169816	€155,00
1500 kg	169817	€155,00
1760 kg	169818	€155,00

**Dimensions**

Nominal Capacity	A	B	C	D	E	F	G	H	I	J	K
mm											
500/750/1000/1500 kg	13,5	57	2,5	13,5	M12	∅13	16	25,4	76,2	31,5	130
550/1100/1760 kg	20,6	57	2,5	13,5	M12	∅13	16	25,4	76,2	31,5	130



SINGLE-ENDED BEAM

# RL1454

Stainless Steel, Welded Seal, C3/C4, IP67



## Specifications

**Full Scale Output:**  
2,0 mV/V ± 0,1% mV/V

**Output Resistance:**  
350 ohms ± 3

**Input Resistance:**  
350 ohms ± 3

**Material/Finish:**  
Stainless steel

**Temperature:**  
-30° C to 70° C

**Seal Type:**  
Welded seal, IP67

**Rated Excitation:**  
5–15 VDC max.

**Insulation Resistance:**  
> 5.000 Megohms

**Cable Length:**  
5 m

**Cable Color Code:**  
Red .....+ Excitation  
Black.....- Excitation  
Green.....+ Signal  
White .....- Signal  
Yellow .....+ Sense  
Blue .....- Sense

**Warranty:**  
One-year limited warranty

**Approvals:**



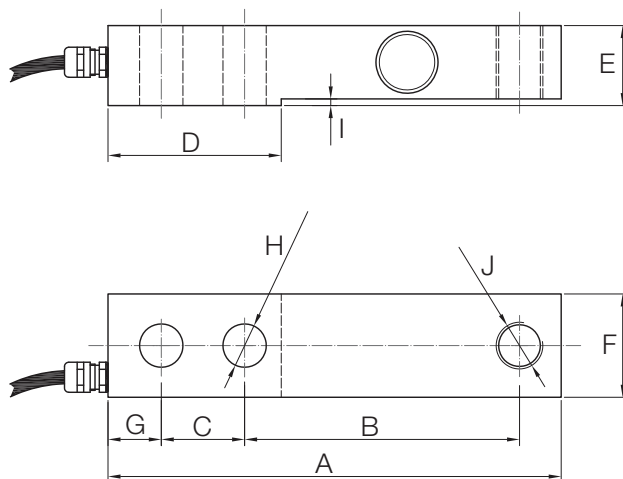
## Order Information

Picture is a representation of actual product

Load Rating	Part#	Price
300 kg	173243	€175,00
500 kg	173244	€175,00
750 kg	173245	€175,00
1000 kg	173246	€175,00
1500 kg	173247	€175,00

## Dimensions

Nominal Capacity	A	B	C	D	E	F	G	H	I	J
mm										
300–1500 kg	136	82,5	25	52	24	31	16	13	2	M14



## Specifications

**Full Scale Output:**  
2,0mV/V  $\pm$  0,1% mV/V

**Output Resistance:**  
350 ohms  $\pm$  3

**Input Resistance:**  
350 ohms  $\pm$  3

**Material/Finish:**  
Stainless steel

**Temperature:**  
-30°C to 70°C

**Seal Type:**  
Welded seal, IP67

**Rated Excitation:**  
5-15 VDC max.

**Insulation Resistance:**  
> 5.000 Megohms

**Cable Length:**  
5 m

**Cable Color Code:**

Red .....	+ Excitation
Black .....	- Excitation
Green .....	+ Signal
White .....	- Signal
Yellow .....	+ Sense
Blue .....	- Sense

**Warranty:**  
One-year limited warranty

**Approvals:**



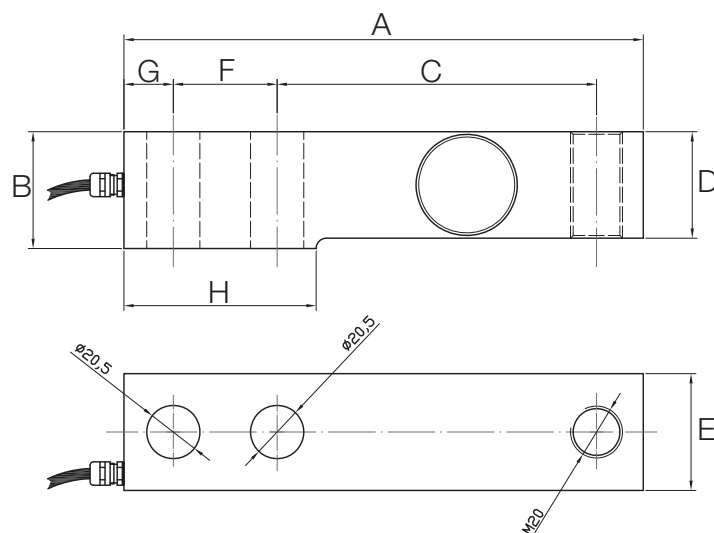
## Order Information

*Picture is a representation of actual product*

Load Rating	Part#	Price
2000 kg	173248	€235,00
3000 kg	173249	€235,00
4000 kg	173250	€235,00
5000 kg	173251	€270,00
7500 kg	173252	€270,00

## Dimensions

Nominal Capacity	A	B	C	D	E	F	G	H
mm								
2000-4000 kg	175	35	98	32	45	40	19	74
5000-7500 kg	200	45	123	41	45	40	19	74



SINGLE-ENDED BEAM

# RL1465

Stainless Steel, Welded Seal, C3/C4, IP68



## Specifications

**Full Scale Output:**  
2,0mV/V ± 0.1% mV/V

**Output Resistance:**  
350 ohms ± 3

**Input Resistance:**  
350 ohms ± 3

**Material/Finish:**  
Stainless steel

**Temperature:**  
-30° C to 70° C

**Seal Type:**  
Welded seal, IP68

**Rated Excitation:**  
5–15 VDC max.

**Insulation Resistance:**  
> 5.000 Megohms

**Cable Length:**  
5 m

**Cable Color Code:**  
Red .....+ Excitation  
Black .....- Excitation  
Green .....+ Signal  
White .....- Signal  
Yellow .....+ Sense  
Blue .....- Sense

**Warranty:**  
One-year limited warranty

**Approvals:**

Complies with OIML  
R60 C3/C4

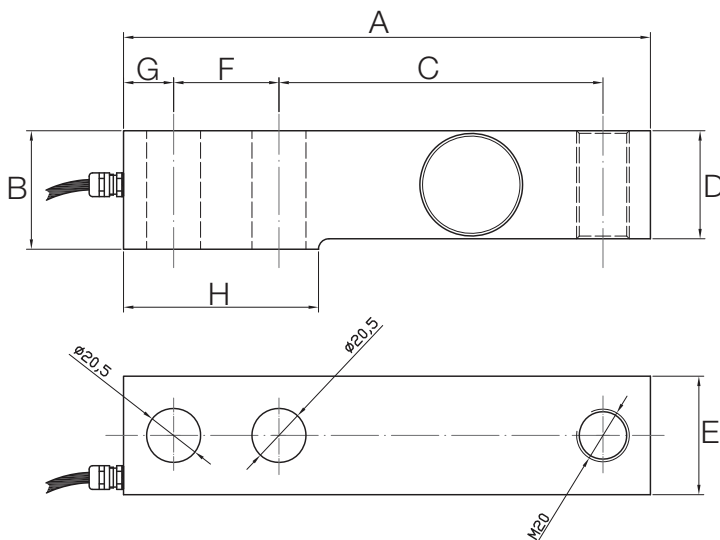
## Order Information

Picture is a representation of actual product

Load Rating	Part#	Price
2000 kg	173253	€258,00
3000 kg	173254	€258,00
4000 kg	173255	€258,00
5000 kg	173256	€290,00
7500 kg	173257	€290,00

## Dimensions

Nominal Capacity	A	B	C	D	E	F	G	H
mm								
2000–4000 kg	175	35	98	32	45	40	19	74
5000–7500 kg	200	45	123	41	45	40	19	74



## Specifications

**Full Scale Output:**

2,0mV/V

**Output Resistance:**
350 ohms  $\pm$  5
**Input Resistance:**
385 ohms  $\pm$  20
**Material/Finish:**

Stainless steel

**Temperature:**

-10° C to 40° C

**Seal Type:**

Welded seal, IP68

**Safe Overload:**

200% FS

**Rated Excitation:**

10VDC (15VDC Max)

**Combined Error:**

0.017% FS

**Insulation Resistance:**

&gt; 5.000 Megohms

**Cable Length:**

3 m, 4 conductor

**Cable Color Code:**

Red .....+ Excitation

White .....- Excitation

Black .....+ Signal

Blue .....- Signal

**Warranty:**

One-year limited warranty

**Approvals:**


Complies with  
OIML R60 C3  
C4 available



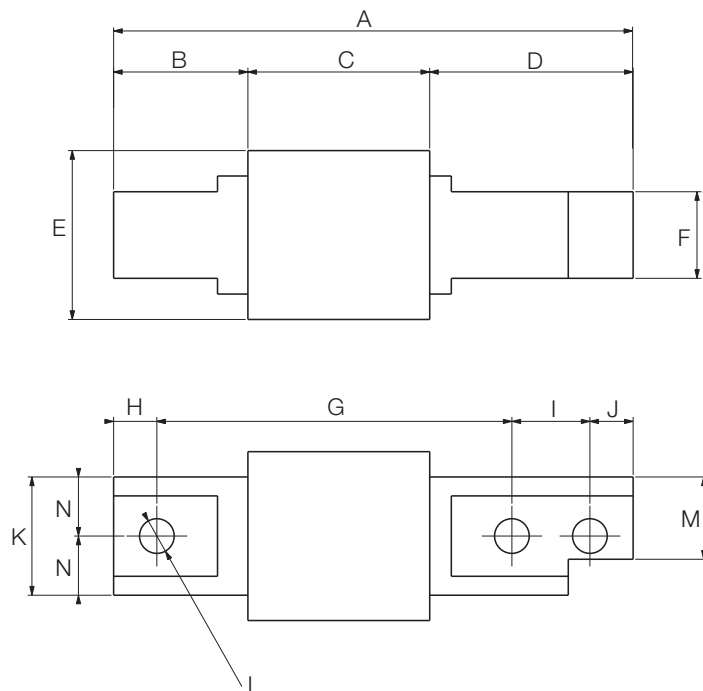
## Order Information

*Picture is a representation of actual product*

Load Rating	Part Number	Price
10 kg	185182	€317,00
20 kg	185183	€317,00
50 kg	185184	€317,00
100 kg	185185	€317,00
200 kg	185186	€317,00
300 kg	185187	€317,00
500 kg	185188	€317,00

## Dimensions

Nominal Capacity	A	B	C	D	E	F	G	H	I	J	K	L	M	N
mm														
10-500 kg	120	31	42	47	Ø 39	Ø 20	82	10	18	10	Ø 27,3	N° 308	Ø 19	13,65



SINGLE ENDED BEAM

# RL1525

Stainless Steel, Welded Seal, C3, IP68



## Specifications

**Full Scale Output:**

2,0mV/V

**Output Resistance:**

352 ohms ± 3

**Input Resistance:**

400 ohms ± 20

**Material/Finish:**

Stainless steel

**Temperature:**

-10° C to 40° C

**Seal Type:**

Welded seal, IP68

**Safe Overload**

120% FS

**Rated Excitation:**

10VDC (15VDC Max)

**Combined Error:**

0.0017% FS

**Insulation Resistance:**

> 5.000 Megohms

**Cable Length:**

3 m, 4 conductor

**Cable Color Code:**

Green .....+ Signal  
 White .....- Signal  
 Red .....+ Excitation  
 Black.....- Excitation

**Warranty:**

One-year limited warranty

**Approvals:**



Complies with  
 OIML R60 C3  
 C4 available

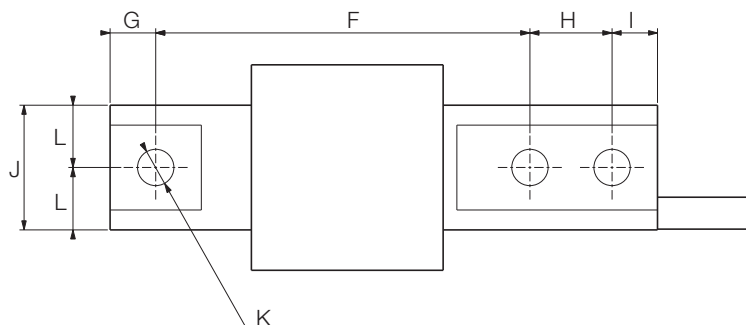
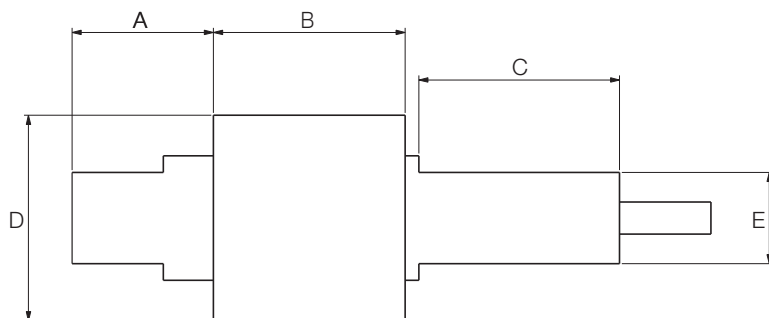
## Order Information

Picture is a representation of actual product

Load Rating	Part Number	Price
100 kg	<b>185189</b>	€291,00
200 kg	<b>185190</b>	€291,00
300 kg	<b>185191</b>	€291,00
500 kg	<b>185192</b>	€291,00

## Dimensions

Nominal Capacity	A	B	C	D	E	F	G	H	I	J	K	L
mm												
10-500 kg	31	42	44	∅ 45	∅ 20	82	10	18	10	∅ 27,3	N° 308	13.65



**Specifications**

- Full Scale Output:**  
2,0mV/V
- Output Resistance:**  
1.000 ohms ± 5
- Input Resistance:**  
1.100 ohms ± 20
- Material/Finish:**  
Stainless steel
- Temperature:**  
-10° C to 50° C
- Seal Type:**  
Welded seal, IP68
- Safe Overload**  
150% FS
- Rated Excitation:**  
10VDC (15VDC Max)
- Combined Error:**  
0.017% FS
- Insulation Resistance:**  
> 5.000 Megohms
- Cable Length:**  
5 m, 6 conductor
- Cable Color Code:**  
Brown .....+ Excitation  
Green .....- Excitation  
Yellow .....+ Signal  
White .....- Signal  
Grey .....+ Sense  
Pink .....- Sense
- Warranty:**  
One-year limited warranty
- Approvals:**



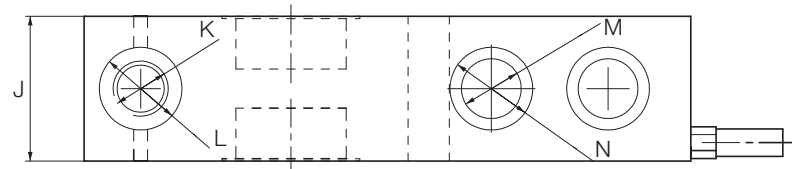
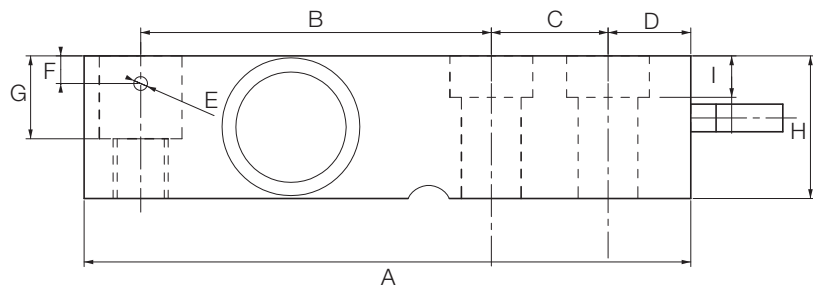
**Order Information**

*Picture is a representation of actual product*

Load Rating	Part Number	Price
500 kg	<b>185178</b>	€165,00
1.000 kg	<b>185179</b>	€165,00
2.000 kg	<b>187627</b>	€165,00
2.500 kg	<b>185181</b>	€165,00

**Dimensions**

Nominal Capacity	A	B	C	D	E	F	G	H	I	J	K	L	M	N
mm														
500-2.500 kg	132	76,3	25,4	18	Ø 3	6	18	31	9	31,5	M 12	Ø18	N°2 Ø13	N°2 Ø18



# RL30

Stainless Steel, Welded Seal, OIML C3, IP68/IP69K



## Specifications

- Full Scale Output:**  
2,0 mV/V
- Output Resistance:**  
350 ohms, ± 3
- Input Resistance:**  
400 ohms, ± 2
- Material Finish:**  
Stainless steel
- Temperature:**  
-10° C to 40° C
- Seal Type:**  
Welded seal, IP68/IP69K
- Safe Overload:**  
200%
- Rated Excitation:**  
10V
- Combined Error:**  
<± 0,017%

**Insulation Resistance:**  
>5.000 Megohms

**Cable Length:**  
3 m

**Cable Construction:**  
PVC

**Cable Color Code:**  
 Green .....+ Excitation  
 Black.....- Excitation  
 Red .....+ Signal  
 White .....- Signal  
 Blue .....+ Sense  
 Yellow .....- Sense

**Warranty:**  
One-year limited warranty

**Approvals:**



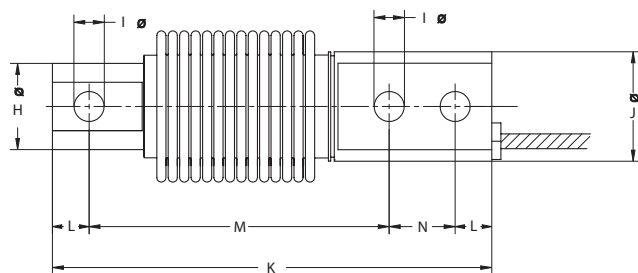
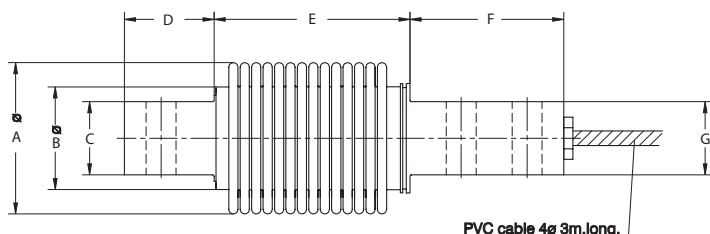
## Order Information

Picture is a representation of actual product

Load Rating	Part #	Est. Weight	Price
5 kg	160824	0,5 kg	€158,00
10 kg	160825	0,5 kg	€158,00
20 kg	160826	0,5 kg	€158,00
30 kg	160827	0,5 kg	€158,00
50 kg	160828	0,5 kg	€158,00
75 kg	160829	0,5 kg	€158,00
100 kg	160830	0,5 kg	€158,00
150 kg	160831	0,5 kg	€158,00
200 kg	160832	0,5 kg	€158,00
250 kg	160833	0,5 kg	€158,00
300 kg	160834	0,5 kg	€158,00
500 kg	160835	0,5 kg	€158,00
<b>Options</b>			
Consult	ATEX versions		Consult

## Dimensions

Nominal Capacity	A	B	C	D	E	F	G	H	I	J	K	L	M	N
mm														
5-500 kg	42	28	20	25	54	42	20	23,5	8,2	30	120	10	82	18



**Specifications**

- Full Scale Output:**  
2,0mV/V
- Output Resistance:**  
700 ohms, ± 5
- Input Resistance:**  
800 ohms, ± 30
- Material Finish:**  
Stainless steel
- Temperature:**  
-10° C to 40° C
- Seal Type:**  
Hermetically sealed, IP68
- Safe Overload:**  
200%
- Rated Excitation:**  
10V
- Combined Error:**  
<± 0,017%
- Insulation Resistance:**  
>5.000 Megohms
- Cable Length:**  
12 m
- Cable Construction:**  
PVC
- Cable Color Code:**
  - Green .....+ Excitation
  - Black .....- Excitation
  - Red .....+ Signal
  - White .....- Signal
  - Blue .....+ Sense
  - Yellow .....- Sense
- Warranty:**  
One-year limited warranty

**Approvals:**



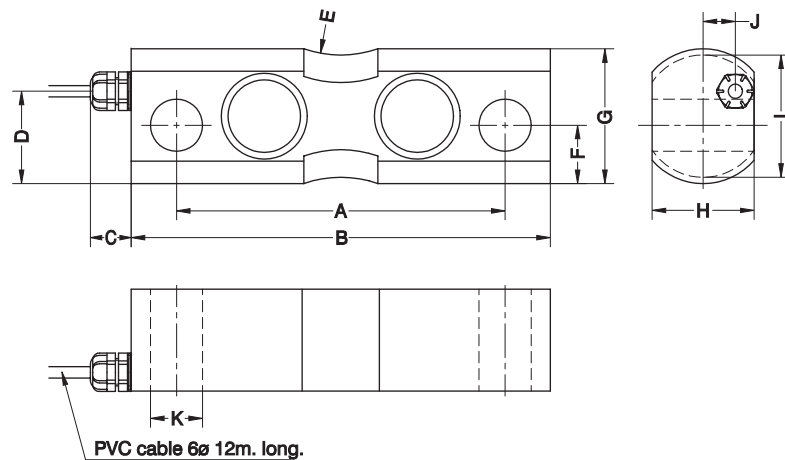
**Order Information**

*Picture is a representation of actual product*

Load Rating	Part #	Est. Weight	Price
5t	160851	3,2 kg	€518,00
10t	160852	3,2 kg	€518,00
20t	160853	3,2 kg	€518,00
30t	160854	8,5 kg	€778,00
50t	160855	8,5 kg	€778,00
75t	160856	16,2 kg	€1.235,00
100t	160857	16,2 kg	€1.235,00
Options			
Consult	ATEX versions		Consult

**Dimensions**

Rated Capacity	A	B	C	D	E	F	G	H	I	J	K
mm											
5-20 t	145	185	16	41	r.50	26	60	45	55	14	23
30-50 t	220	285	16	48	r.50	30	75	60	66	22	30
75-100 t	260	340	16	66	r.50	37	100	80	91	32	50



DOUBLE-ENDED BEAM

# RL92

Stainless Steel, Welded Seal, C3/C4/C5, IP67



Shown with optional foot plate

## Specifications

**Full Scale Output:**  
2,0mV/V

**Output Resistance:**  
700 ohms, ±3

**Input Resistance:**  
700 ohms, ±3

**Material Finish:**  
Stainless steel

**Temperature:**  
-10° C to 40° C

**Seal Type:**  
Welded seal, IP67

**Rated Excitation:**  
15V

**Insulation Resistance:**  
5.000 megohms

**Cable Length:**  
5m

**Cable Construction:**  
PVC

**Cable Color Code:**  
Red .....+ Excitation  
Black .....- Excitation  
Green .....+ Signal  
White .....- Signal  
Yellow .....+ Sense  
Blue .....- Sense

**Warranty:**  
One-year limited warranty

**Approvals:**

Complies with  
OIML R60 C3/  
C4/C5



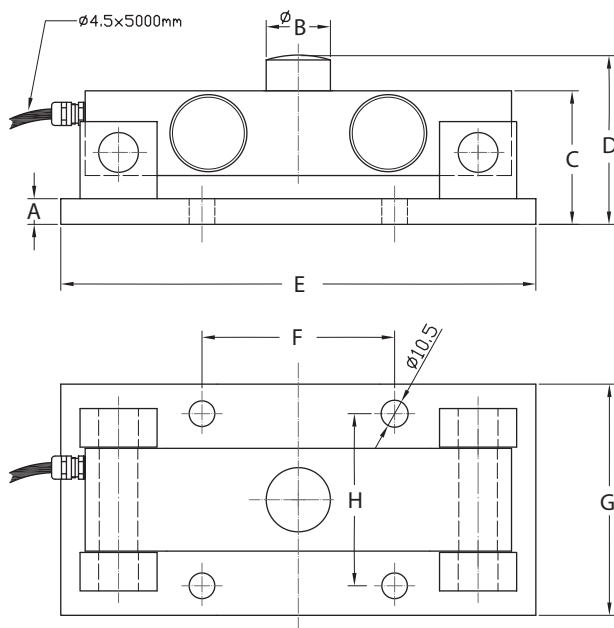
## Order Information

Picture is a representation of actual product

Load Rating	Part #	Price
3.000 kg	161142	€300,00
4.000 kg	161143	€300,00
5.000 kg	161144	€300,00
7.500 kg	161145	€300,00
10.000 kg	161146	€300,00
Options		
Consult	ATEX versions	Consult

## Dimensions

Rated Capacity	A	B	C	D	E	F	G	H
mm								
3.000-10.000 kg	10	32	52	67	185	75	90	67



**Specifications**

**Full Scale Output:**  
2,0mV/V

**Output Resistance:**  
700 ohms, ± 3

**Input Resistance:**  
700 ohms, ± 3

**Material Finish:**  
Stainless steel

**Temperature:**  
-10° C to 40° C

**Seal Type:**  
Welded seal IP67

**Rated Excitation:**  
15V

**Insulation Resistance:**  
>5.000 megohms

**Cable Length:**  
15 m

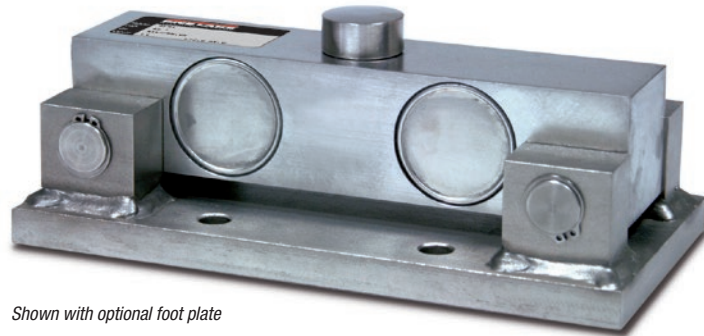
**Cable Construction:**  
PVC

**Cable Color Code:**  
Red .....+ Excitation  
Black.....- Excitation  
Green .....+ Signal  
White .....- Signal  
Yellow .....+ Sense  
Blue .....- Sense

**Warranty:**  
One-year limited warranty

**Approvals:**

Complies with  
OIML R60 C3/  
C4/C5/C6



Shown with optional foot plate

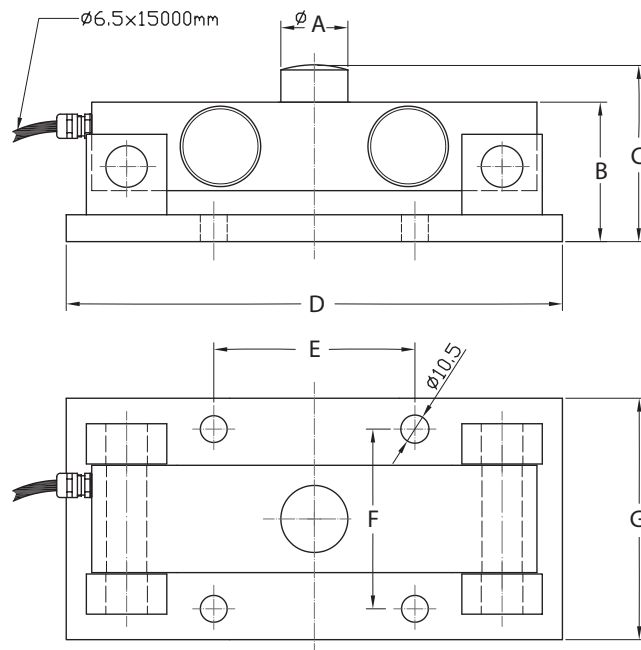
**Order Information**

Picture is a representation of actual product

Load Rating	Part#	Price
5t	161169	€475,00
10t	161170	€475,00
15t	161171	€475,00
20t	161172	€475,00
25t	161173	€475,00
Options		
Consult	ATEX versions	Consult

**Dimensions**

Rated Capacity	A	B	C	D	E	F	G
mm							
5-25t	32	76	91	243	90	86	120



DOUBLE-ENDED BEAM

# RL94

Stainless Steel, Welded Seal, C3, IP67



Shown with optional foot plate

## Specifications

**Full Scale Output:**  
2,0 mV/V nominal

**Output Resistance:**  
700 ohms, ±3

**Input Resistance:**  
700 ohms, ±3

**Material Finish:**  
Stainless steel

**Temperature:**  
-10° C to 40° C

**Seal Type:**  
Welded seal, IP67

**Rated Excitation:**  
15V

**Insulation Resistance:**  
>5.000 megohms

**Cable Length:**  
15 m

**Cable Construction:**  
PVC

**Cable Color Code:**  
Red .....+ Excitation  
Black.....- Excitation  
Green .....+ Signal  
White .....- Signal  
Yellow .....+ Sense  
Blue .....- Sense

**Warranty:**  
One-year limited warranty

**Approvals:**  
Complies with  
OIML R60 C3

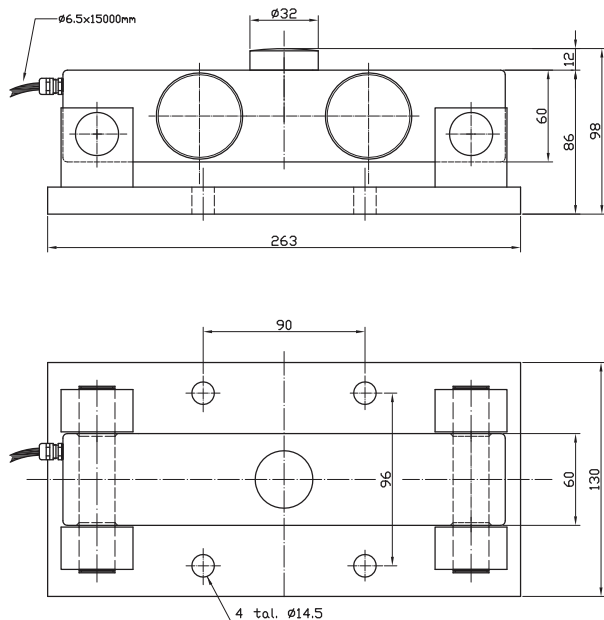
## Order Information

Picture is a representation of actual product

Load Rating	Part#	Price
20t	161206	€495,00
25t	161207	€495,00
30t	161208	€495,00
40t	161209	€495,00
50t	161210	€495,00

## Dimensions

Rated Capacity	A	B	C	D	E	F	G	H	I
mm									
20-50t	32	60	86	98	243	90	130	60	96



**Specifications**

- Full Scale Output:**  
2,0mV/V
- Output Resistance:**  
350 ohms, ±3
- Input Resistance:**  
400 ohms, ±20
- Material Finish:**  
Stainless steel
- Temperature:**  
-10° C to 40° C
- Seal Type:**  
Hermetically sealed, IP68/IP69K
- Safe Overload:**  
200%
- Rated Excitation:**  
10V
- Combined Error:**  
<± 0,017%
- Insulation Resistance:**  
>5.000 Megohms
- Cable Length:**  
5 m
- Cable Construction:**  
PVC
- Cable Color Code:**  
Green .....+ Excitation  
Black.....- Excitation  
Red .....+ Signal  
White .....- Signal  
Blue .....+ Sense  
Yellow .....- Sense

**Warranty:**  
One-year limited warranty

**Approvals:**



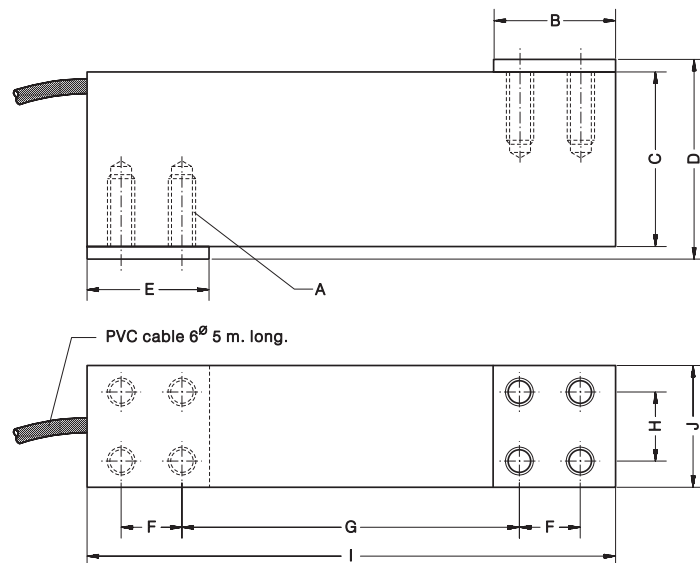
**Order Information**

*Picture is a representation of actual product*

Load Rating	Part#	Est. Weight	Price
15 kg	<b>160816</b>	1,8 kg	€285,00
20 kg	<b>160817</b>	1,8 kg	€285,00
30 kg	<b>160818</b>	1,8 kg	€285,00
50 kg	<b>160819</b>	1,8 kg	€285,00
75 kg	<b>160820</b>	1,8 kg	€285,00
120 kg	<b>160821</b>	1,8 kg	€285,00
200 kg	<b>160822</b>	1,8 kg	€285,00
350 kg	<b>160823</b>	1,8 kg	€285,00
250 kg	<b>161136</b>	4,3 kg	€575,00
400 kg	<b>161137</b>	4,3 kg	€575,00
Options			
Consult	ATEX versions		Consult

**Dimensions**

Rated Capacity	A	B	C	D	E	F	G	H	I	J
mm										
15, 20, 30, 50, 75, 120, 200, 300 kg	8 x M8 x 1 x 14	35	50	56	35	17	96	20	150	35
250 - 400 kg	8 x M10 x 2 x 20	50	60	66	50	30	100	40	180	60



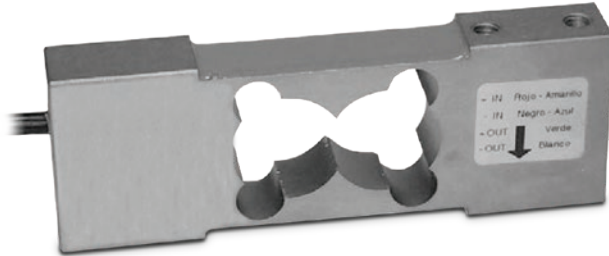
SINGLE-POINT

# RL4413/RL4423

Alloy Steel, Environmentally Sealed, C3/C4/C5/C6, IP67



RL4413



RL4423

## Specifications

**Full Scale Output:**  
2,0 mV/V

**Output Resistance:**  
350 ohms ± 3

**Input Resistance:**  
390 ohms ± 3

**Material/Finish:**  
Alloy steel

**Temperature:**  
-20° C to 70° C

**Seal Type:**  
Environmentally sealed, IP67

**Rated Excitation:**  
5–15 VDC max.

**Insulation Resistance:**  
> 5000 Megohms

**Cable Length:**  
5 m

**Cable Color Code:**

- Red .....+ Excitation
- Black.....- Excitation
- Green .....+ Signal
- White .....- Signal
- Yellow .....+ Sense
- Blue .....- Sense

**Warranty:**  
One-year limited warranty

**Approvals:**  
Complies with  
OIML R60 C3/  
C4/C5/C6



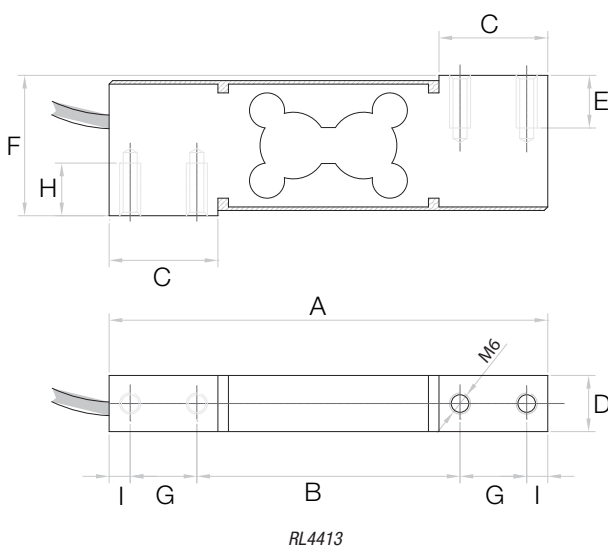
## Order Information

Picture is a representation of actual product

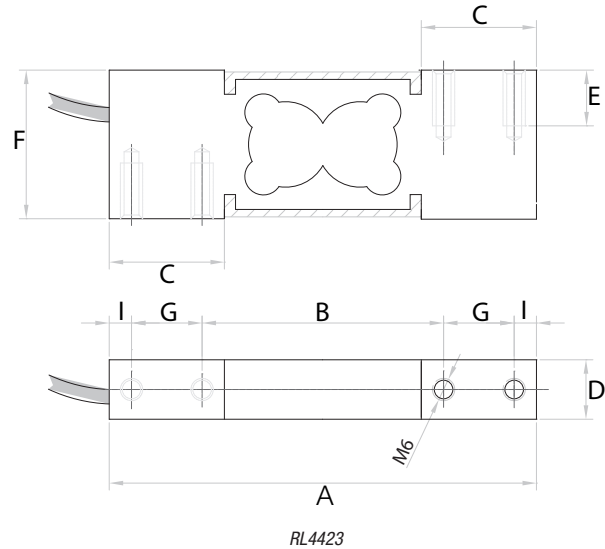
Load Rating	Part #	Price
<b>RL4413 Models</b>		
5 kg	173352	€130,00
7 kg	173355	€130,00
10 kg	173356	€130,00
20 kg	173357	€130,00
40 kg	173358	€130,00
<b>RL4423 Models</b>		
10 kg	173364	€130,00
18 kg	173365	€130,00
36 kg	173366	€130,00

## Dimensions

Nominal Capacity	A	B	C	D	E	F	G	H	I
<b>mm (RL4413 model)</b>									
5 - 40 kg	125	75	31	16	15	40	19	15	6
<b>mm (RL4423 model)</b>									
10 - 36 kg	115	65	31	16	15	40	19	-	6



RL4413



RL4423

## Specifications

- Full Scale Output:**  
2,0 mV/V
- Output Resistance:**  
350 ohms ± 3
- Input Resistance:**  
390 ohms ± 3
- Material/Finish:**  
Stainless steel
- Temperature:**  
-20°C to 70°C
- Seal Type:**  
Environmentally sealed, IP68  
IP68 rating with fully welded seal is available
- Rated Excitation:**  
5–15 VDC
- Insulation Resistance:**  
> 5000 Megohms
- Cable Length:**  
5 m
- Cable Color Code:**  
Red .....+ Excitation  
Black .....- Excitation  
Green .....+ Signal  
White .....- Signal  
Yellow .....+ Sense  
Blue .....- Sense
- Warranty:**  
One-year limited warranty
- Approvals:**  
Complies with  
OIML R60 C6

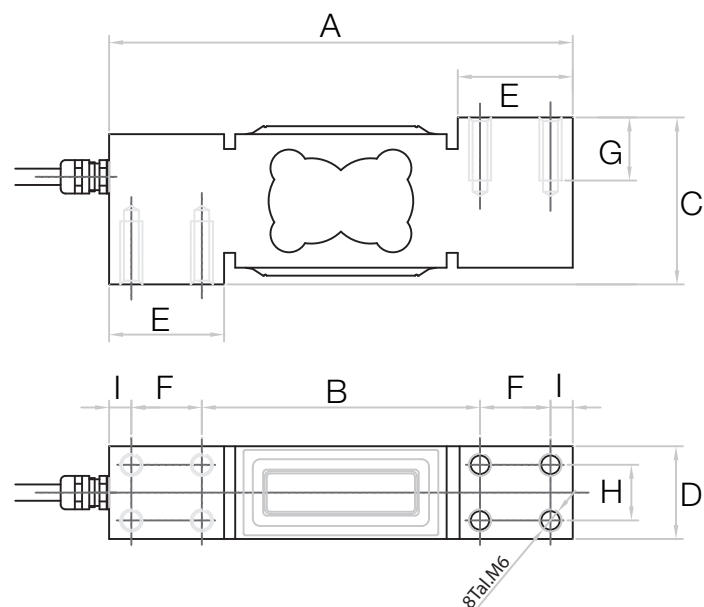


## Order Information

Load Rating	Part#	Price
25 kg	173370	€165,00
50 kg	173371	€165,00
75 kg	173372	€165,00
100 kg	173373	€165,00
150 kg	173374	€165,00
200 kg	173375	€165,00
250 kg	173376	€165,00

## Dimensions

Nominal Capacity	A	B	C	D	E	F	G	H	I
mm									
25 - 250 kg	125	75	45	25	31	19	17	15	6



SINGLE-POINT

# RL4435

Stainless Steel, Environmentally Sealed, C6, IP68



## Specifications

**Full Scale Output:**  
2,0mV/V

**Output Resistance:**  
350 ohms ± 3

**Input Resistance:**  
390 ohms ± 3

**Material/Finish:**  
Stainless steel

**Temperature:**  
-20° C to 70° C

**Seal Type:**  
Environmentally sealed, IP68


**Rated Excitation:**  
5-15 VDC

**Insulation Resistance:**  
> 5000 Megohms

**Cable Length:**  
5 m

**Cable Color Code:**  
 Red .....+ Excitation  
 Black .....- Excitation  
 Green .....+ Signal  
 White .....- Signal  
 Yellow .....+ Sense  
 Blue .....- Sense

**Warranty:**  
One-year limited warranty

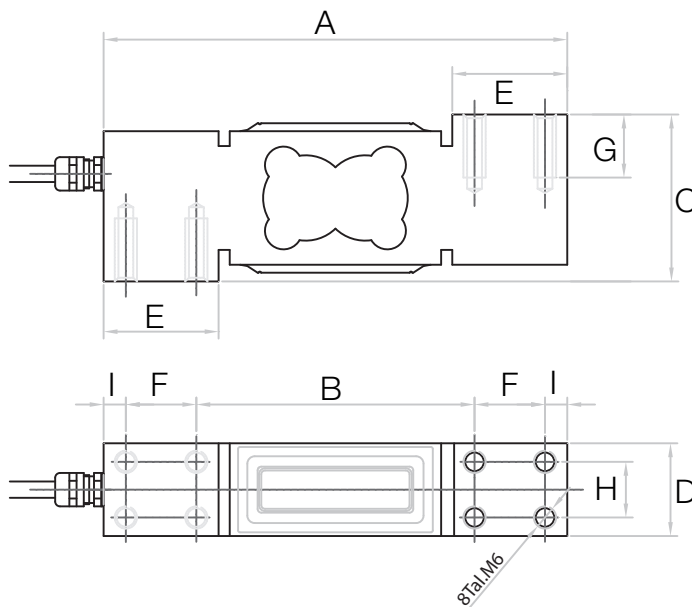
**Approvals:**  
Complies with  
OIML R60 C6 

## Order Information

Load Rating	Part#	Price
25 kg	173377	€200,00
50 kg	173378	€200,00
75 kg	173379	€200,00
100 kg	173380	€200,00
150 kg	173381	€200,00
200 kg	173383	€200,00
250 kg	173384	€200,00

## Dimensions

Nominal Capacity	A	B	C	D	E	F	G	H	I
mm									
25 - 250 kg	125	75	45	25	31	19	17	15	6



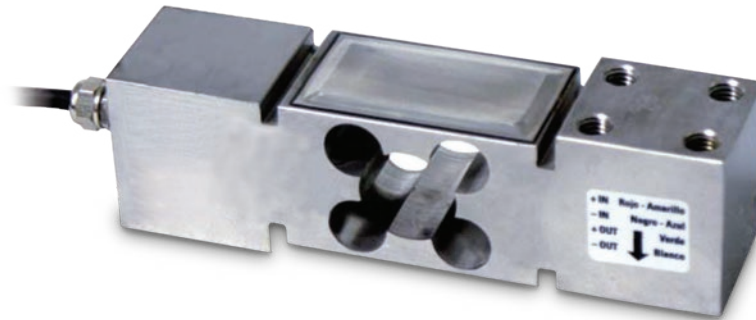
**Specifications**

- Full Scale Output:**  
2,0mV/V
- Output Resistance:**  
350 ohms ± 3
- Input Resistance:**  
390 ohms ± 3
- Material/Finish:**  
Stainless steel
- Temperature:**  
-30°C to 70°C
- Seal Type:**  
Environmentally sealed, IP67  
IP68 rating with fully welded seal is available
- Rated Excitation:**  
5-15 VDC
- Insulation Resistance:**  
> 5000 Megohms
- Cable Length:**  
5 m
- Cable Color Code:**  
 Red .....+ Excitation  
 Black.....- Excitation  
 Green .....+ Signal  
 White .....- Signal  
 Yellow .....+ Sense  
 Blue .....- Sense

**Warranty:**  
One-year limited warranty

**Approvals:**

Complies with  
OIML R60 C3/C4



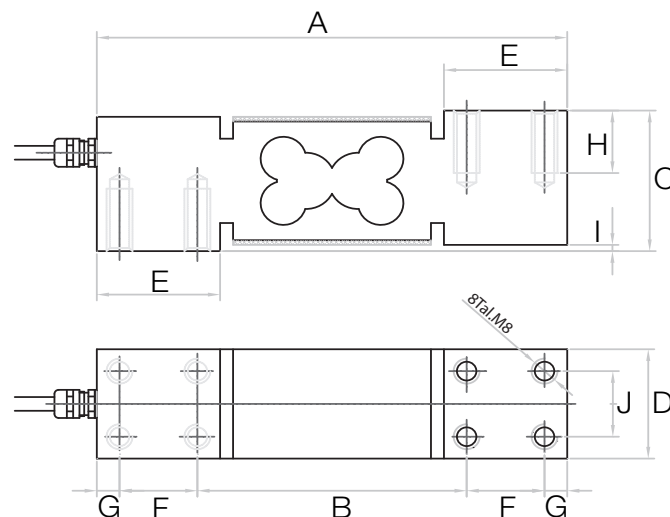
**Order Information**

*Picture is a representation of actual product*

Load Rating	Part#	Price
50 kg	173385	Consult
75 kg	173386	€217,00
100 kg	173387	€217,00
150 kg	173388	€217,00
200 kg	173389	€217,00
250 kg	173390	€217,00
300 kg	173391	€217,00
500 kg	173392	€217,00

**Dimensions**

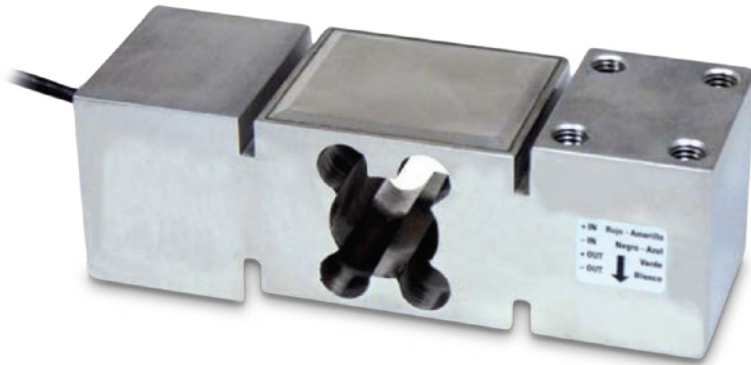
Nominal Capacity	A	B	C	D	E	F	G	H	I	J
mm										
50 - 500 kg	145	83	45	35	38	24	7	20	2	21



SINGLE-POINT

# RL4454

Stainless Steel, Environmentally Sealed, C3/C4, IP67



## Specifications

**Full Scale Output:**

2,0 mV/V

**Output Resistance:**

350 ohms ± 3

**Input Resistance:**

390 ohms ± 3

**Material/Finish:**

Stainless steel

**Temperature:**

-30° C to 70° C

**Seal Type:**

Environmentally sealed, IP67

IP68 rating with fully welded seal is available

**Rated Excitation:**

5-15 VDC max.

**Insulation Resistance:**

> 5.000 Megohms

**Cable Length:**

5 m

**Cable Color Code:**

Red .....+ Excitation

Black.....- Excitation

Green .....+ Signal

White .....- Signal

Yellow .....+ Sense

Blue .....- Sense

**Warranty:**

One-year limited warranty

**Approvals:**

Complies with  
OIML R60 C3/C4



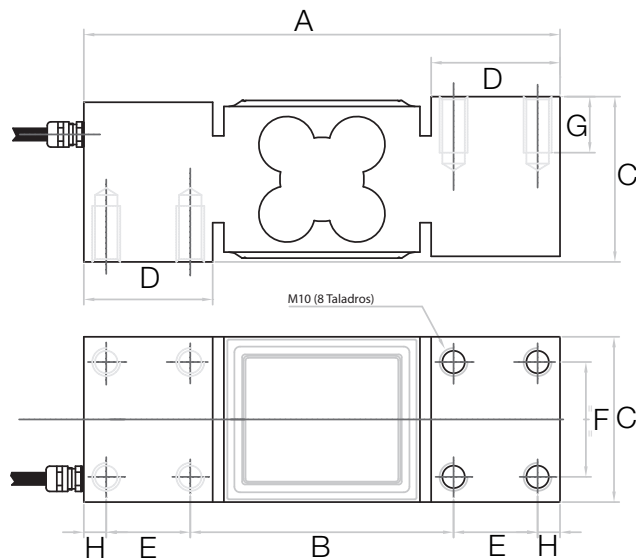
## Order Information

Picture is a representation of actual product

Load Rating	Part#	Price
150 kg	173408	€310,00
300 kg	173409	€310,00
500 kg	173410	€310,00
750 kg	173411	€310,00
1.000 kg	173412	€310,00

## Dimensions

Nominal Capacity	A	B	C	D	E	F	G	H
mm								
150 - 1.000 kg	170	94	59	46	30	41	20	8



**Specifications**

- Full Scale Output:**  
2,0mV/V
- Output Resistance:**  
300-500 ohms
- Input Resistance:**  
300-500 ohms
- Material Finish:**  
Aluminum
- Temperature:**  
-10° C to 50° C
- Seal Type:**  
Environmentally sealed, IP67
- Safe Overload:**  
150% FS
- Rated Excitation:**  
10VDC (15VDC Max)
- Combined Error:**  
0,03% FS
- Insulation Resistance:**  
>2.000 ohms
- Cable Length:**  
3 m, 6 conductor
- Cable Color Code:**  
Blue .....+ Excitation  
Black .....- Excitation  
White .....+ Signal  
Red .....- Signal  
Green .....+ Sense  
Grey .....- Sense
- Warranty:**  
One-year limited warranty
- Max Platform Size:**  
450 x 450 mm

**Approvals:**



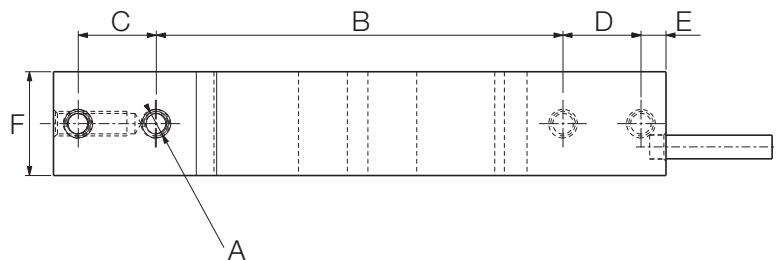
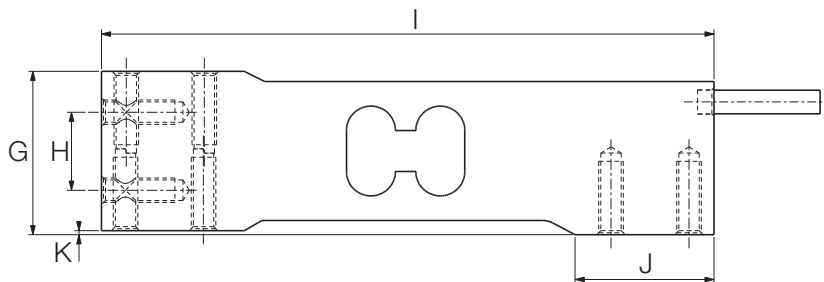
**Order Information**

*Picture is a representation of actual product*

Load Rating	Part#	Price
10 kg	185159	€106,00
15 kg	185160	€106,00
20 kg	185161	€106,00
30 kg	185162	€106,00
50 kg	185163	€106,00
100 kg	185164	€106,00
200 kg	185165	€106,00

**Dimensions**

Rated Capacity	A	B	C	D	E	F	G	H	I	J	K
mm											
10-200 kg	N°7 M6	99,6	19,1	19,1	6,1	25,4	40	19,1	150	34	1



SINGLE-POINT

# RL4511

Aluminum, Environmentally Sealed, IP67



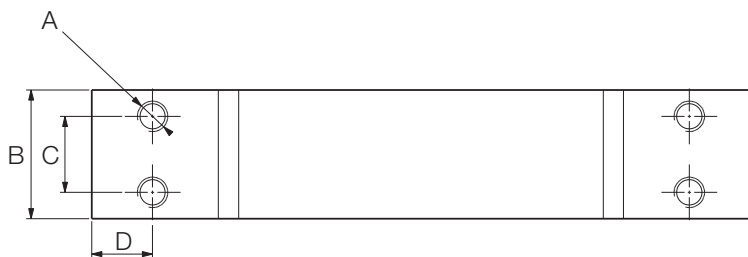
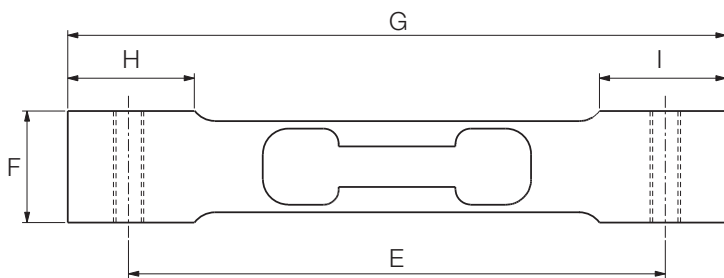
## Order Information

Picture is a representation of actual product

Load Rating	Part#	Price
3 kg	185152	€86,00
5 kg	185153	€86,00
10 kg	185154	€86,00
15 kg	185155	€86,00
20 kg	185156	€86,00
30 kg	185157	€86,00
40 kg	185158	€86,00

## Dimensions

Rated Capacity	A	B	C	D	E	F	G	H	I
mm									
3-40 kg	n° 4 M6	25,4	15	12	106	22	130	25	25



## Specifications

**Full Scale Output:**  
2,0 mV/V

**Output Resistance:**  
300-500 ohms

**Input Resistance:**  
300-500 ohms

**Material Finish:**  
Aluminum

**Temperature:**  
-10° C to 50° C

**Seal Type:**  
Environmentally sealed, IP67

**Safe Overload:**  
150% FS

**Rated Excitation:**  
10VDC (15VDC Max)

**Insulation Resistance:**  
>2.000 ohms

**Cable Length:**  
40 cm, 4 conductor

**Cable Construction:**  
PVC

**Cable Color Code:**  
Blue .....+ Excitation  
Black.....- Excitation  
White .....+ Signal  
Red .....- Signal

**Warranty:**  
One-year limited warranty

**Max Platform Size:**  
300 x 300 mm

**Approvals:**



## Specifications

**Full Scale Output:**  
2,0mV/V

**Output Resistance:**  
359 ohms, ± 5

**Input Resistance:**  
380 ohms, ± 15

**Material Finish:**  
Stainless steel

**Temperature:**  
-10° C to 50° C

**Seal Type:**  
Potted, IP67

**Safe Overload:**  
300% FS

**Rated Excitation:**  
10VDC (15VDC Max)

**Insulation Resistance:**  
>1.000 Megohms

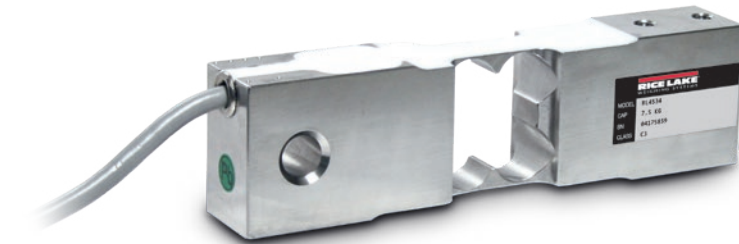
**Cable Length:**  
3 m, 6 conductor

**Cable Color Code:**  
 White .....+ Excitation  
 Red .....- Excitation  
 Blue .....+ Signal  
 Black.....- Signal  
 Green ..... + Sense  
 Grey .....- Sense

**Warranty:**  
One-year limited warranty

**Max Platform Size:**  
500 x 400 mm

**Approvals:**



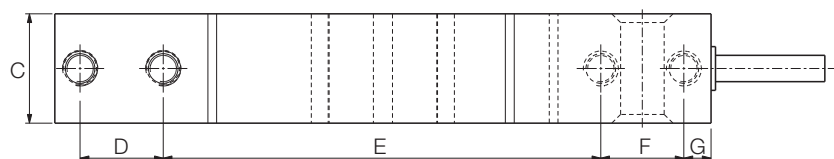
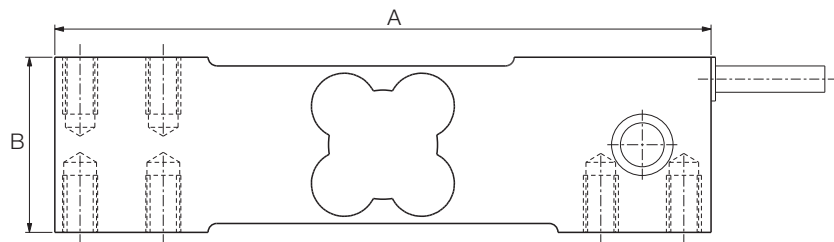
## Order Information

*Picture is a representation of actual product*

Load Rating	Part #	Price
7,5 kg	185166	€423,00
15 kg	185167	€423,00
30 kg	185168	€423,00
50 kg	185169	€423,00
100 kg	185170	€423,00
200 kg	185171	€423,00

## Dimensions

Rated Capacity	A	B	C	D	E	F	G
7,5-200 kg	150	40	25	19	100	19	6,2



S-BEAM

# RL65

Stainless Steel, Welded Seal, C3, IP68



## Specifications

**Full Scale Output:**  
2,0 mV/V nominal

**Output Resistance:**  
350 ohms, ±3

**Input Resistance:**  
400 ohms, ±20

**Material Finish:**  
Stainless steel

**Temperature:**  
-10° C to 55° C

**Seal Type:**  
Welded seal IP68

**Safe Overload:**  
200%

**Rated Excitation:**  
10V DC

**Combined Error:**  
<± 0,017%

**Insulation Resistance:**  
>5.000 megohms

**Cable Length:**  
5 m

**Cable Construction:**  
PVC

**Cable Color Code:**  
Green .....+ Excitation  
Black .....- Excitation  
Red .....+ Signal  
White .....- Signal  
Blue .....+ Sense  
Yellow .....- Sense

**Warranty:**  
One-year limited warranty

**Approvals:**

Complies with  
OIML R60 C3



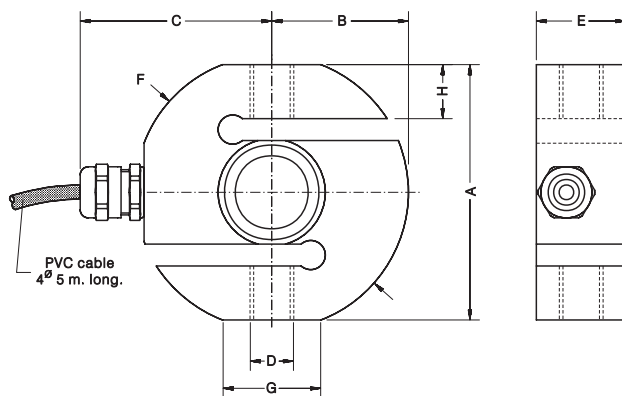
## Order Information

Picture is a representation of actual product

Load Rating	Part #	Est. Weight	Price
250 kg	160858	1 kg	€290,00
500 kg	160859	1 kg	€290,00
1.000 kg	160860	2 kg	€346,00
2.000 kg	160861	2 kg	€346,00
5.000 kg	160862	4 kg	€422,00
7.500 kg	160863	5,5 kg	€463,00
Options			
Consult	ATEX versions		Consult

## Dimensions

Rated Capacity	A	B	C	D	E	F	G	H
mm								
250-500 kg	70	38	50	M12x2	25	75	27	15
1.000-2.000 kg	95	50	60	M20x2	30	100	31	26
5.000 kg	120	63	73	M24x2	40	125	35	34
7.500 kg	120	63	73	M24x2	56	125	35	34



## Specifications

**Full Scale Output:**  
2,0 mV/V  $\pm$  0.1% mV/V

**Output Resistance:**  
350 ohms  $\pm$  3

**Input Resistance:**  
350 ohms  $\pm$  3

**Material/Finish:**  
Alloy steel

**Temperature:**  
-20° C to 70° C

**Seal Type:**  
Welded seal, IP67

**Rated Excitation:**  
5–15 VDC max.

**Insulation Resistance:**  
> 5000 Megohms

**Cable Length:**  
5 m

**Cable Color Code:**

Red .....	+ Excitation
Black .....	- Excitation
Green .....	+ Signal
White .....	- Signal
Yellow .....	+ Sense
Blue .....	- Sense

**Warranty:**  
One-year limited warranty

**Approvals:**  
Complies with  
OIML R60 C3/  
C4/C5/C6



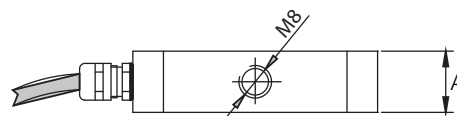
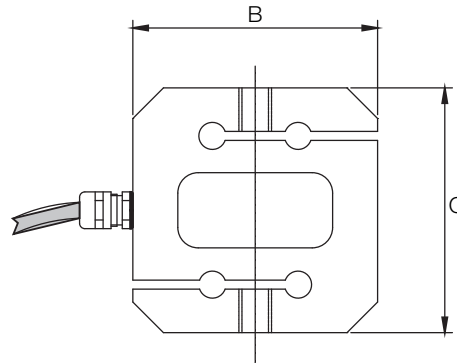
## Order Information

Picture is a representation of actual product

Load Rating	Part#	Price
30 kg	173279	€195,00
50 kg	173281	€195,00
75 kg	173282	€195,00
100 kg	173283	€195,00
150 kg	173284	€195,00

## Dimensions

Nominal Capacity	A	B	C
mm			
30 - 100 kg	15	60	60
150 kg	20	60	60



S-BEAM

# RL3414

Stainless Steel, Welded Seal, C3/C4/C5/C6, IP67



## Specifications

**Full Scale Output:**  
2,0 mV/V ± 0.1% mV/V

**Output Resistance:**  
350 ohms ± 3

**Input Resistance:**  
350 ohms ± 3

**Material/Finish:**  
Alloy steel

**Temperature:**  
-20° C to 70° C

**Seal Type:**  
Welded seal, IP67

**Rated Excitation:**  
5–15 VDC max.

**Insulation Resistance:**  
> 5000 Megohms

**Cable Length:**  
5 m

**Cable Color Code:**  
 Red ..... + Excitation  
 Black ..... - Excitation  
 Green ..... + Signal  
 White ..... - Signal  
 Yellow ..... + Sense  
 Blue ..... - Sense

**Warranty:**  
One-year limited warranty

**Approvals:**  
Complies with  
OIML R60 C3/  
C4/C5/C6 **CE**

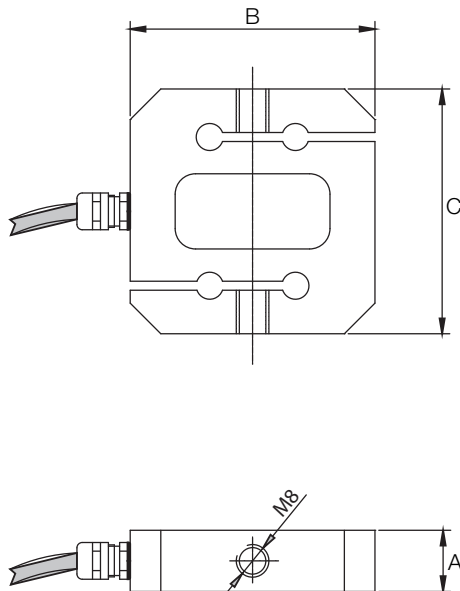
## Order Information

Picture is a representation of actual product

Load Rating	Part#	Price
30 kg	173285	€195,00
50 kg	173287	€195,00
75 kg	173288	€195,00
100 kg	173289	€195,00
150 kg	173290	€195,00

## Dimensions

Nominal Capacity	A	B	C
mm			
30 - 100 kg	15	60	60
150 kg	20	60	60



## Specifications

**Full Scale Output:**  
2,0 mV/V  $\pm$  0.1% mV/V

**Output Resistance:**  
350 ohms  $\pm$  3

**Input Resistance:**  
350 ohms  $\pm$  3

**Material/Finish:**  
Alloy steel

**Temperature:**  
-30° C to 70° C

**Seal Type:**  
Welded seal, IP67

**Rated Excitation:**  
5–15 VDC max.

**Insulation Resistance:**  
> 5000 Megohms

**Cable Length:**  
5 m

**Cable Color Code:**

Red .....+ Excitation  
Black .....- Excitation  
Green .....+ Signal  
White .....- Signal  
Yellow .....+ Sense  
Blue .....- Sense

**Warranty:**  
One-year limited warranty

**Approvals:**

Complies with  
OIML R60 C3/C4



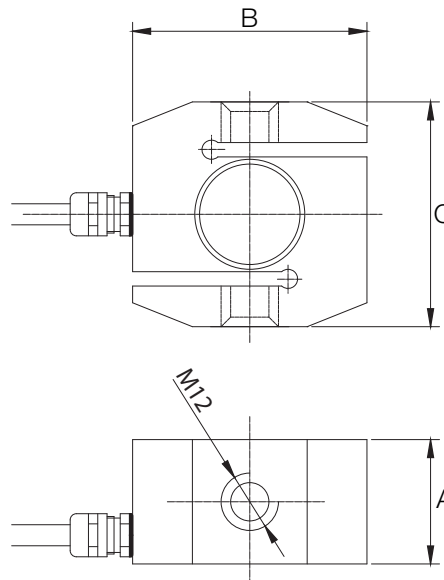
## Order Information

*Picture is a representation of actual product*

Load Rating	Part#	Price
300 kg	173291	€175,00
750 kg	173293	€175,00
1000 kg	173294	€175,00

## Dimensions

Nominal Capacity	A	B	C
mm			
300 kg	20	49	47
500 - 1000 kg	26	49	47



S-BEAM

# RL3424

Stainless Steel, Welded Seal, C4, IP68



## Specifications

**Full Scale Output:**  
2,0 mV/V ± 0.1% mV/V

**Output Resistance:**  
350 ohms ± 3

**Input Resistance:**  
350 ohms ± 3

**Material/Finish:**  
Stainless steel

**Temperature:**  
-30° C to 70° C

**Seal Type:**  
Welded seal, IP68

**Rated Excitation:**  
5–15 VDC max.

**Insulation Resistance:**  
> 5000 Megohms

**Cable Length:**  
5 m

**Cable Color Code:**  
Red .....+ Excitation  
Black.....- Excitation  
Green .....+ Signal  
White .....- Signal  
Yellow .....+ Sense  
Blue .....- Sense

**Warranty:**  
One-year limited warranty

**Approvals:**

Complies with  
OIML R60 C4



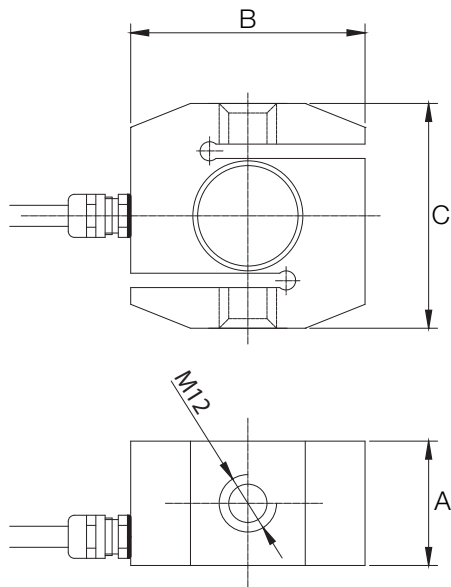
## Order Information

Picture is a representation of actual product

Load Rating	Part#	Price
300 kg	173295	€175,00
500 kg	173296	€175,00
750 kg	173297	€175,00
1000 kg	173298	€175,00

## Dimensions

Nominal Capacity	A	B	C
mm			
300 kg	20	49	47
500 - 1000 kg	26	49	47



## Specifications

**Full Scale Output:**  
2,0mV/V  $\pm$  0.1% mV/V

**Output Resistance:**  
350 ohms  $\pm$  3

**Input Resistance:**  
350 ohms  $\pm$  3

**Material/Finish:**  
Alloy steel

**Temperature:**  
-30° C to 70° C

**Seal Type:**  
Welded seal, IP67

**Rated Excitation:**  
5–10 VDC max.

**Insulation Resistance:**  
> 5000 Megohms

**Cable Length:**  
5 m

**Cable Color Code:**

Red .....+ Excitation  
Black.....- Excitation  
Green .....+ Signal  
White .....- Signal  
Yellow .....+ Sense  
Blue .....- Sense

**Warranty:**  
One-year limited warranty

**Approvals:**

Complies with  
OIML R60 C3/C4



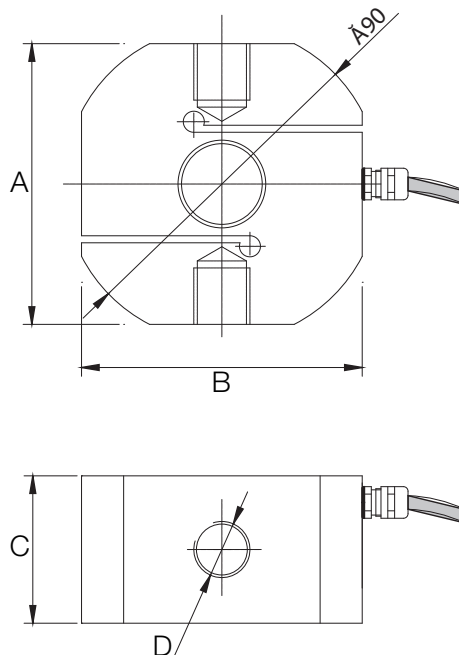
## Order Information

Picture is a representation of actual product

Load Rating	Part#	Price
750 kg	173299	€245,00
1000 kg	173300	€245,00
1500 kg	173301	€245,00
2000 kg	173302	€245,00
2500 kg	173303	€245,00
3000 kg	173304	€245,00
4000 kg	173305	€245,00
5000 kg	173306	€245,00
6000 kg	173307	€245,00
10000 kg	173308	€250,00

## Dimensions

Nominal Capacity	A	B	C	D
mm				
750 kg	80	80	35	M12
1.000 kg	80	80	35	M12
1.500 kg	80	80	35	M16
2.000 kg	80	80	42	M16
3.000 kg	80	80	42	M24x2
5.000 kg	80	80	42	M24x2
6.000 kg	80	80	42	M24x2
10.000 kg	80	80	52	M24x2



S-BEAM

# RL3434

Stainless Steel, Welded Seal, C4, IP67



## Specifications

- Full Scale Output:**  
2,0 mV/V  $\pm$  0.1% mV/V
- Output Resistance:**  
350 ohms  $\pm$  3
- Input Resistance:**  
350 ohms  $\pm$  3
- Material/Finish:**  
Stainless steel
- Temperature:**  
-30° C to 70° C
- Seal Type:**  
Welded seal, IP67
- Rated Excitation:**  
5–15 VDC max.
- Insulation Resistance:**  
> 5000 Megohms
- Cable Length:**  
5 m
- Cable Color Code:**

- Red .....+ Excitation
- Black.....- Excitation
- Green.....+ Signal
- White .....- Signal
- Yellow .....+ Sense
- Blue .....- Sense

**Warranty:**  
One-year limited warranty

**Approvals:**

Complies with  
OIML R60 C4



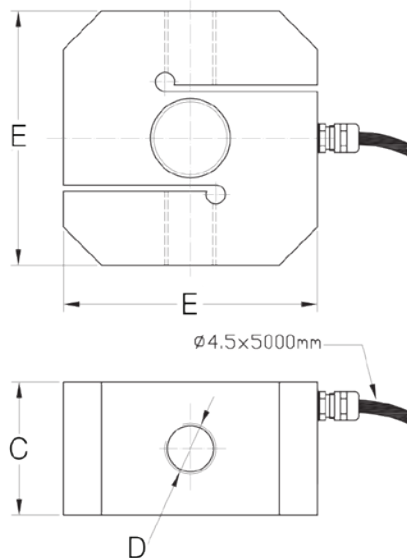
## Order Information

Picture is a representation of actual product

Load Rating	Part #	Price
750 kg	173309	€245,00
1.000 kg	173310	€245,00
1.500 kg	173311	€245,00
2.000 kg	173312	€245,00
2.500 kg	173313	€245,00
4.000 kg	173314	€245,00
5.000 kg	173315	€245,00
6.000 kg	173316	€245,00
10.000 kg	173317	€270,00

## Dimensions

Nominal Capacity	C	D	E
mm			
750 kg	35	M12	80
1.000 kg	35	M12	80
1.500 kg	35	M16	80
2.000 kg	42	M16	80
2.500 kg	42	M16	80
4.000 kg	42	M24x2	80
5.000 kg	42	M24x2	80
6.000 kg	42	M24x2	80
10.000 kg	52	M24x2	80



**Specifications**

- Full Scale Output:**  
2,0 mV/V
- Output Resistance:**  
700 ohms, ± 5
- Input Resistance:**  
800 ohms, ± 30
- Material Finish:**  
Stainless steel
- Temperature:**  
-10° C to 40° C
- Seal Type:**  
Hermetically sealed, IP68
- Safe Overload:**  
200%
- Rated Excitation:**  
10V
- Combined Error:**  
<± 0,05%
- Insulation Resistance:**  
>5.000 megohms
- Cable Length:**  
10 m
- Cable Construction:**  
PVC
- Cable Color Code:**
  - Green .....+ Excitation
  - Black .....- Excitation
  - Red .....+ Signal
  - White .....- Signal
  - Blue .....+ Sense
  - Yellow .....- Sense

**Warranty:**  
One-year limited warranty

**Approvals:**

Complies with  
OIML R60 C1



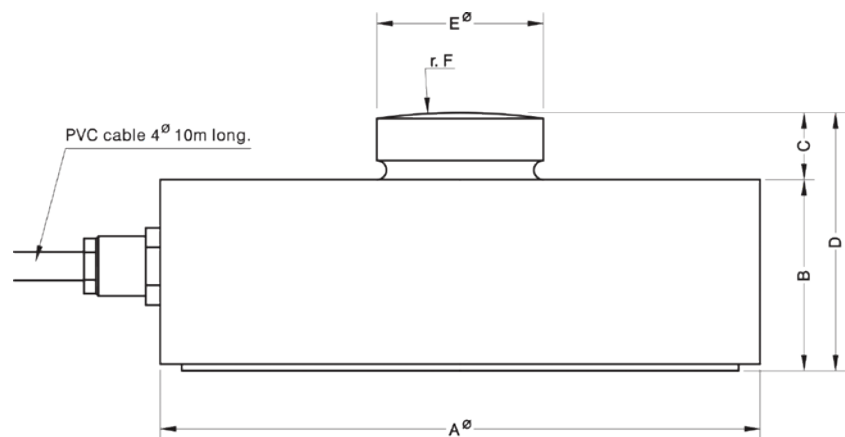
**Order Information**

*Picture is a representation of actual product*

Load Rating	Part #	Est. Weight	Price
2,5t	<b>160846</b>	1,1 kg	€219,00
5t	<b>160847</b>	1,1 kg	€219,00
10t	<b>160848</b>	1,1 kg	€219,00
20t	<b>160849</b>	2,8 kg	€427,00
30t	<b>160850</b>	2,8 kg	€427,00
Options			
Consult	ATEX versions		Consult

**Dimensions**

Rated Capacity	A	B	C	D	E	R.F
mm						
2,5-10t	82	32	12	44	22	130
20-30t	126	40	14	54	35	200



# RL74

Stainless Steel, Hermetically Sealed, OIML C1/C4, IP68/IP69K



## Specifications

- Full Scale Output:**  
2,0mV/V
- Output Resistance:**  
705 ohms, ± 5
- Input Resistance:**  
800 ohms, ± 5
- Material Finish:**  
Stainless steel
- Temperature:**  
-10° C to 40° C
- Seal Type:**  
Hermetically sealed, IP68/IP69K
- Safe Overload:**  
150%
- Rated Excitation:**  
10V
- Combined Error:**  
<± 0,013%
- Insulation Resistance:**  
>5.000 megohms
- Cable Length:**  
18 m
- Cable Construction:**  
PVC
- Cable Color Code:**  
Green .....+ Excitation  
Black.....- Excitation  
Red .....+ Signal  
White .....- Signal  
Blue .....+ Sense  
Yellow .....- Sense
- Warranty:**  
One-year limited warranty

## Order Information

Picture is a representation of actual product

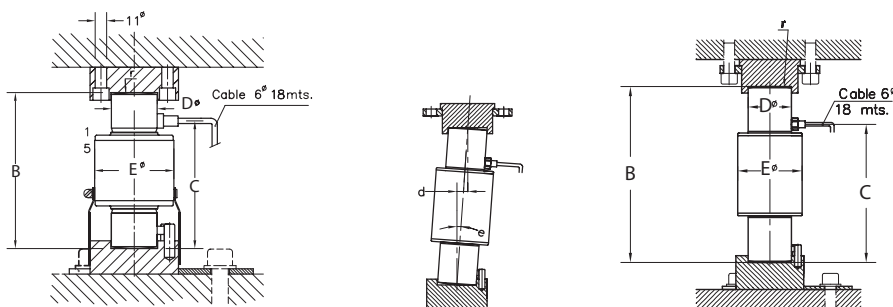
Load Rating	Part#	Est. Weight	Price
*15t	160864	2,5 kg	€264,00
*20t	160865	2,5 kg	€264,00
*25t	160866	2,6 kg	€264,00
*30t	160867	2,6 kg	€264,00
*40t	160868	2,8 kg	€264,00
*60t	160869	3,8 kg	€574,00
**100t	161138	11 kg	€854,00
**200t	161139	11 kg	€854,00
**400t	161140	23 kg	€1.230,00
**600t	161141	27 kg	€1.398,00
Consult	Digital	15-60t	Consult
Options			
Consult	ATEX versions		Consult

\*15t to 60t OIML approved at 4.000 divisions

\*\*100t to 600t OIML approved at 1.000 divisions

## Dimensions

Rated Capacity	B	C	D	E
mm				
15-20t	150	123	44	76
25t	150	123	44	76
30t	150	123	44	76
40t	150	123	44	76
60t	210	153	44	76
100t	260	208	64	104
200t	260	208	64	104
400t	260	208	109	140
600t	260	208	118	140



## Approvals:



**Specifications**

**Full Scale Output:**  
2,0mV/V

**Output Resistance:**  
700 ohms, ± 3

**Input Resistance:**  
800 ohms, ± 3

**Material Finish:**  
Stainless steel

**Temperature:**  
-10° C to 40° C

**Seal Type:**  
Welded seal, IP69K

**Safe Overload:**  
150%

**Rated Excitation:**  
15V

**Combined Error:**  
0.02%

**Insulation Resistance:**  
>5000 megohms

**Cable Length:**  
5m

**Cable Construction:**  
PVC

**Cable Color Code:**  
 Red .....+ Excitation  
 Black .....- Excitation  
 Green .....+ Signal  
 White .....- Signal  
 Yellow .....+ Sense  
 Blue .....- Sense

**Warranty:**  
One-year limited warranty

**Approvals:**

Complies with OIML  
R60 C3/C4



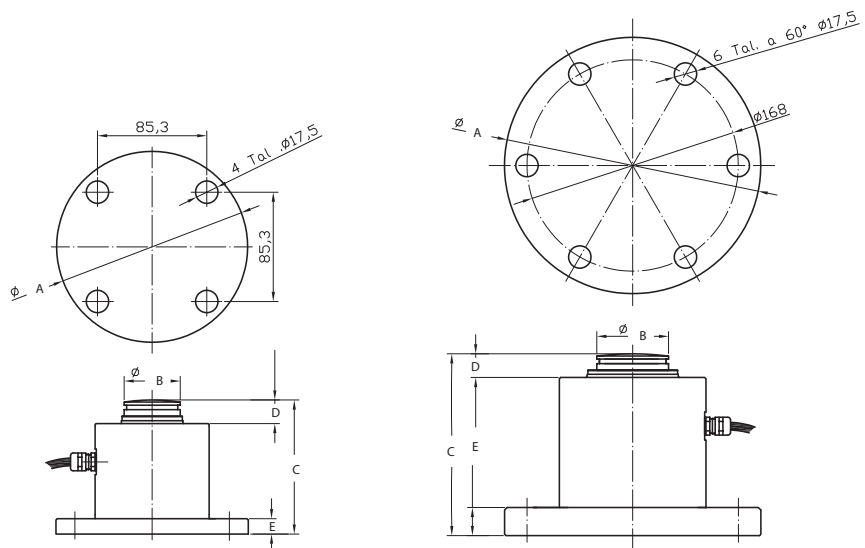
**Order Information**

Picture is a representation of actual product

Load Rating	Part#	Price
15t	161223	€405,00
20t	161224	€405,00
25t	161225	€405,00
30t	161226	€405,00
35t	161227	€405,00
40t	161226	€405,00
50t	161229	€1.060,00
75t	161230	€1.060,00
100t	161231	€1.060,00
200t	161232	€2.380,00

**Dimensions**

Rated Capacity	A	B	C	D	E
mm					
15 - 40t	150	44	104	18	12
50 - 200t	200	56	142	18	17



# RL97

Stainless Steel, Welded Seal, C3/C4, IP69K



## Specifications

- Full Scale Output:**  
2,0 mV/V
- Output Resistance:**  
700 ohms, ±3
- Input Resistance:**  
800 ohms, ±3
- Material Finish:**  
Stainless steel
- Temperature:**  
-10° C to 40° C
- Seal Type:**  
Welded seal, IP69K
- Safe Overload:**  
150%
- Rated Excitation:**  
15V
- Combined Error:**  
0,02%
- Insulation Resistance:**  
>5.000 megohms
- Cable Length:**  
15 m
- Cable Construction:**  
PVC
- Cable Color Code:**  
Red .....+ Excitation  
Black.....- Excitation  
Green .....+ Signal  
White .....- Signal  
Yellow .....+ Sense  
Blue .....- Sense
- Warranty:**  
One-year limited warranty

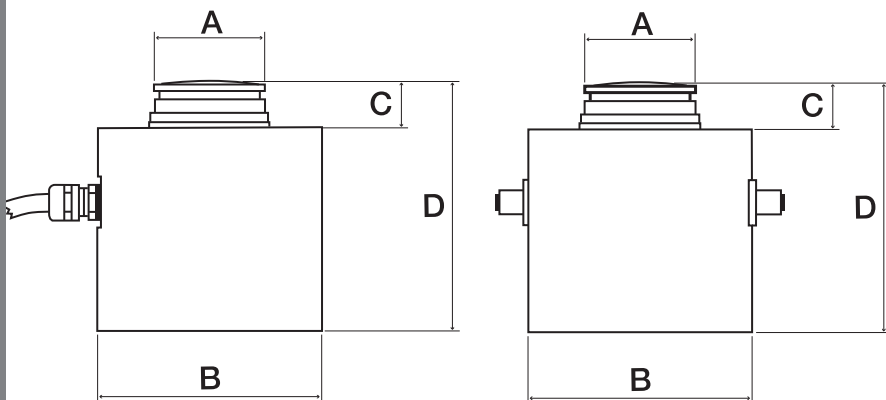
## Order Information

Picture is a representation of actual product

Load Rating	Part#	Price
15t	161293	€415,00
20t	161294	€415,00
25t	161295	€415,00
30t	161296	€415,00
35t	161297	€415,00
40t	161298	€345,00
50t	161299	€415,00
75t	161300	€740,00
100t	161301	€740,00
200t	161302	€665,00

## Dimensions

Rated Capacity	A	B	C	D
mm				
15 - 40t	44	89	18	99
50 - 100t	56	114	19	127



## Approvals:

Complies with  
OIML R60 C3/C4

**Specifications**

**Full Scale Output:**  
2,0mV/V

**Output Resistance:**  
700 ohms, ± 3

**Input Resistance:**  
800 ohms, ± 3

**Material Finish:**  
Stainless steel

**Temperature:**  
-10° C to 40° C

**Seal Type:**  
Welded seal, IP69K

**Safe Overload:**  
150%

**Rated Excitation:**  
15V

**Combined Error:**  
0,02%

**Insulation Resistance:**  
>5.000 megohms

**Cable Length:**  
15 m

**Cable Construction:**  
PVC

**Cable Color Code:**  
Red .....+ Excitation  
Black .....- Excitation  
Green .....+ Signal  
White .....- Signal  
Yellow .....+ Sense  
Blue .....- Sense

**Warranty:**  
One-year limited warranty

**Approvals:**  
Complies with  
OIML R60 C3/C4



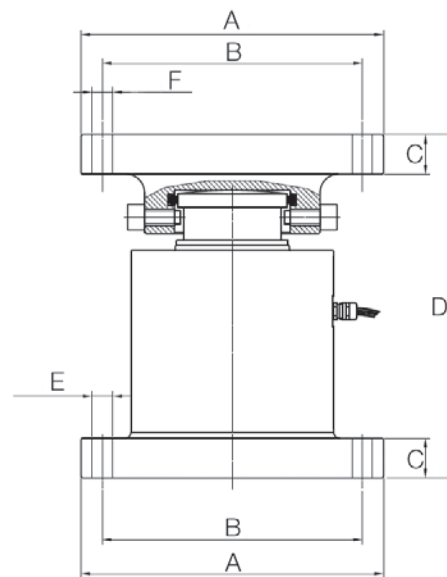
**Order Information**

*Picture is a representation of actual product*

Load Rating	Part#	Price
15t	161329	€410,00
20t	161330	€410,00
25t	161331	€410,00
30t	161332	€410,00
35t	161333	€410,00
40t	161334	€410,00
50t	161335	€1.060,00
75t	161336	€1.060,00
100t	161337	€1.060,00
200t	161338	€424,00

**Dimensions**

Rated Capacity	A	B	C	D	F	F	G
mm							
15 - 40t	250	215	32	277	150	.ø17	.ø17
50 - 200t	250	215	32	277	150	.ø17	.ø17



# RL5416

Stainless Steel, Welded Seal, OIML C4, IP69K



## Specifications

- Full Scale Output:**  
2,0 mV/V
- Output Resistance:**  
700 ohms, ± 3
- Input Resistance:**  
800 ohms, ± 3
- Material Finish:**  
Stainless steel
- Compensated Temperature:**  
-10° C to 40° C
- Operating Temperature:**  
-10° C to 70° C
- Seal Type:**  
Welded seal IP69 K
- Rated Excitation:**  
15V

- Vmin:**  
Emax/14000
- Insulation Resistance:**  
>5.000 megohms
- Cable Length:**  
20 m
- Cable Construction:**  
PVC
- Cable Color Code:**  
Red .....+ Excitation  
Black.....- Excitation  
Green .....+ Signal  
White .....- Signal  
Yellow .....+ Sense  
Blue .....- Sense

**Warranty:**  
Two-year limited warranty

**Approvals:**



R60 C4

## Order Information

Picture is a representation of actual product

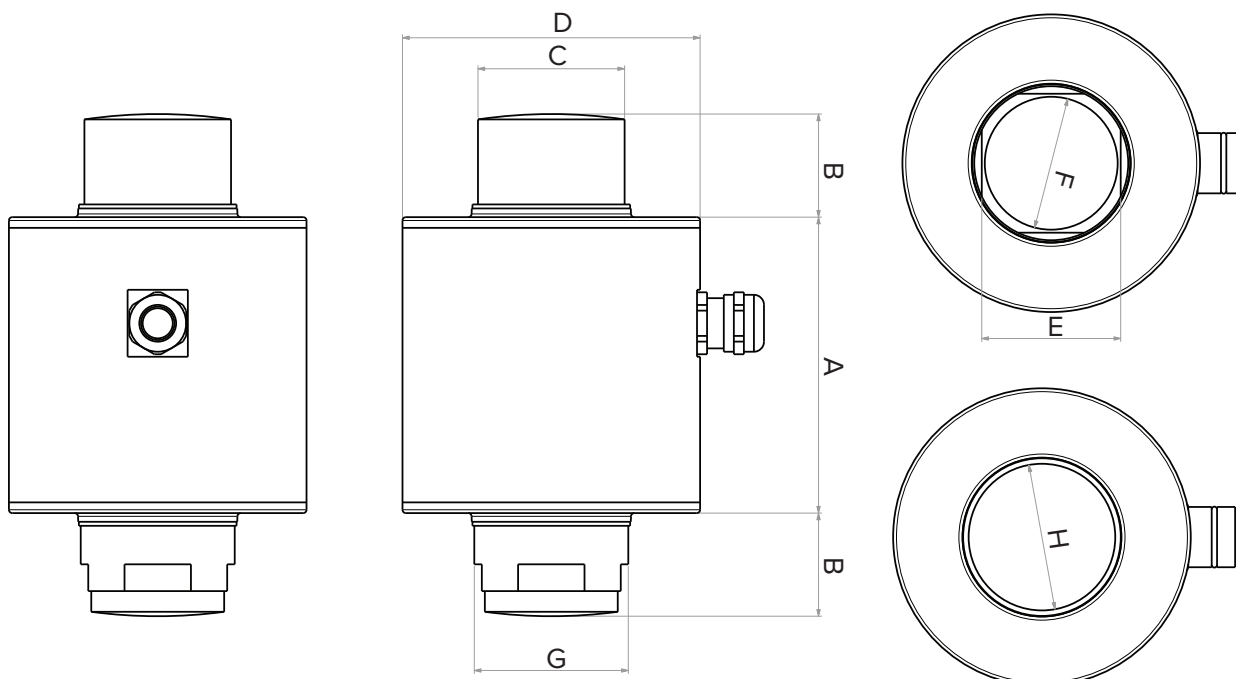
Load Rating	Part #	Price
10t	168082	€250,00
15t	168083	€250,00
20t	168084	€250,00
25t	168085	€250,00
30t	168087	€250,00
35t	168088	€250,00
40t	168089	€250,00
50t	168090	€250,00

## Options


Part #	Description	Price
173793	Stainless steel cup set	€50,00

## Dimensions

Rated Capacity	A	B	C	D	E	F	G	H
mm								
10 - 50t	88,4	30,8	Ø43,8	Ø88,9	41,5	Ø39,7	Ø46	Ø43,8



**Specifications**

- Transmission Speed:**  
100 kHz (max)
- Current Consumption:**  
35 mA
- Conversions Per Second:**  
40/s
- Material Finish:**  
Stainless steel
- Certified Temperature:**  
-10° C to 40° C
- Operating Temperature:**  
-20° C to 70° C
- Seal Type:**  
Hermetically sealed, IP69K
- Rated Excitation:**  
15V
- Vmin:**  
Emax/15000
- Insulation Resistance:**  
>5.000 megohms
- Cable Length:**  
15 m
- Cable Construction:**  
PVC
- Warranty:**  
Two-year limited warranty
- Approvals:**  




**Order Information**

*Picture is a representation of actual product*

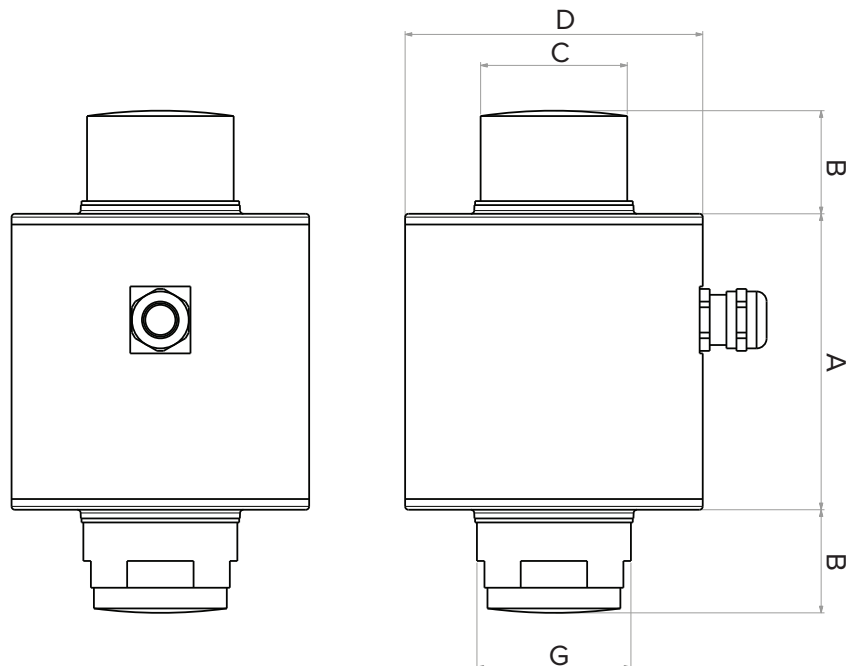
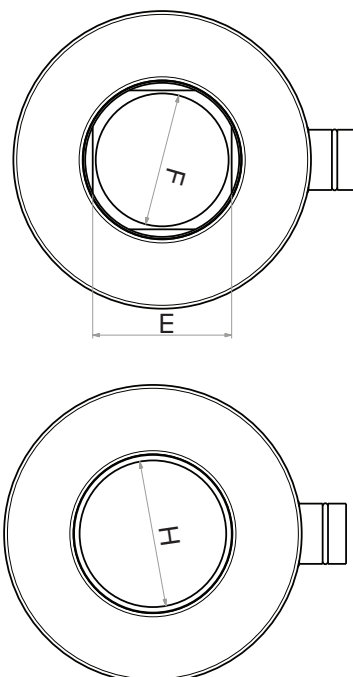
Load Rating	Part#	Price
10 t	173429	€350,00
15 t	173430	€350,00
20 t	173431	€350,00
25 t	173432	€350,00
30 t	173433	€350,00
35 t	173434	€350,00
40 t	173435	€365,00
50 t	173436	€365,00

**Options**

Part#	Description	Price
173793	Stainless steel cup set	€50,00

**Dimensions**

Rated Capacity	A	B	C	D	E	F	G	H
mm								
10 - 50 t	88,4	30,8	Ø43,8	Ø88,9	41,5	Ø39,7	Ø46	Ø43,8



# RL5416DC

Digital Stainless Steel, Hermetically Sealed, C4, IP68



## Specifications

**Transmission Speed:**  
100 kHz (max)

**Current Consumption:**  
35 mA

**Conversions Per Second:**  
40 s

**Material Finish:**  
Stainless steel

**Certified Temperature:**  
-10° C to 40° C

**Operating Temperature:**  
-35° C to 70° C

**Seal Type:**  
Hermetically sealed, IP68

**Rated Excitation:**  
15V

**Vmin:**  
Emax/15000

**Insulation Resistance:**  
>5.000 megohms

**Cable Length:**  
4 m, 7 m, 9 m, 15 m, 25 m, 50 m

**Cable Construction:**  
PVC

**Warranty:**  
Two-year limited warranty

**Approvals:**



## Order Information

Picture is a representation of actual product

Load Rating	Part #	Price
30t	195843	Consult
40t	195844	Consult

Cables					
1 Connector			2 Connector		
Length	Part #	Price	Length	Part #	Price
15 m	182733	Consult	4 m	182736	€86,00
25 m	182734	€86,00	7 m	182737	€92,00
50 m	182735	Consult	9 m	182738	€97,00

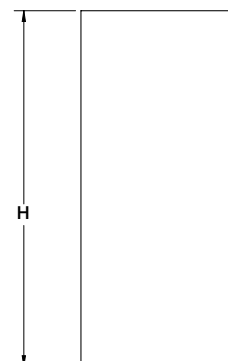
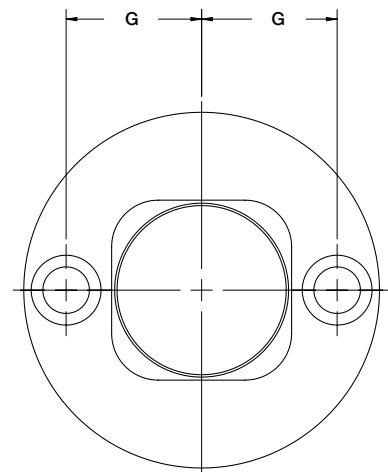
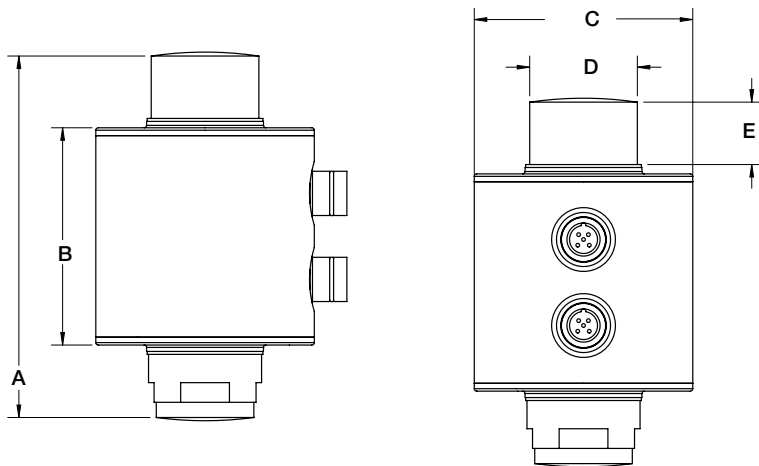
## Options

Picture is a representation of actual product

Part #	Description	Price
173798	Stainless steel cup set	€50,00

## Dimensions

Rated Capacity	A	B	C	D	E	F	G	H
mm								
30 - 40t	150	88	Ø89	Ø44	25	36	32	Ø84



**Specifications**

- Full Scale Output:**  
2 mV/V
- Output Resistance:**  
700 ohms ± 3
- Input Resistance:**  
800 ohms ± 5
- Material/Finish:**  
Stainless steel
- Compensated Temperature:**  
-10° C to 40° C
- Operating Temperature:**  
-10° C to 70° C
- Seal Type:**  
Hermetically sealed, IP69K
- Rated Excitation:**  
15V
- Vmin:**  
Emax/18000
- Insulation Resistance:**  
5000 Megohms
- Cable Length:**  
20 m
- Cable Construction:**  
PVC
- Cable Color Code:**  
 Red .....+ Excitation  
 Black.....- Excitation  
 Green .....+ Signal  
 White .....- Signal  
 Yellow .....+ Sense  
 Blue .....- Sense

**Warranty:**  
Two-year limited warranty

**Approvals:**



**Order Information**

*Picture is a representation of actual product*

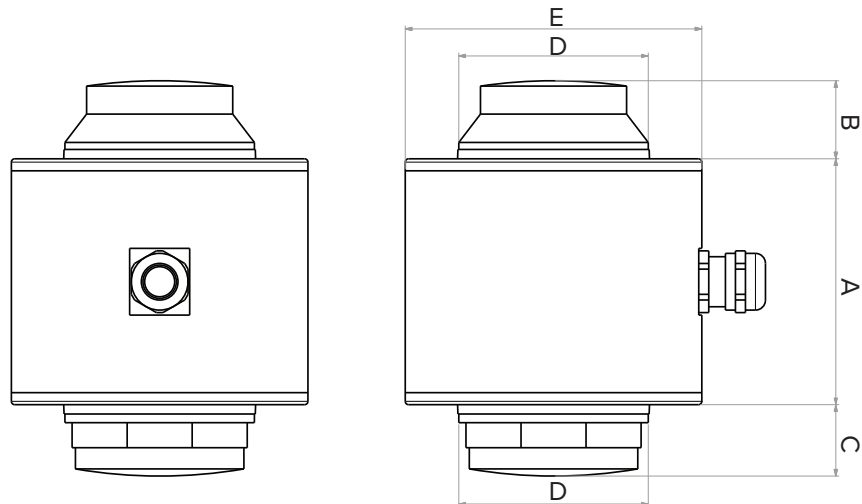
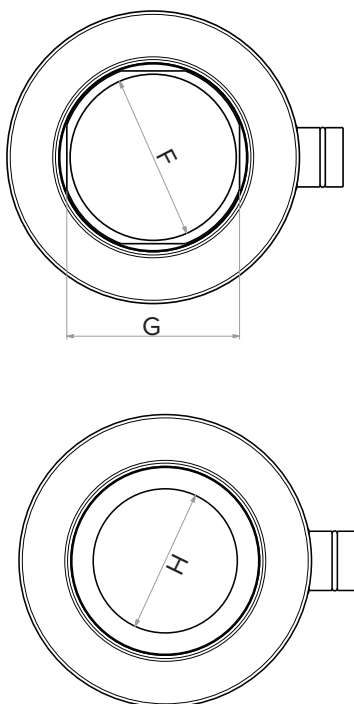
Load Rating	Part #	Price
10t	177959	€300,00
15t	177960	€300,00
20t	177961	€300,00
25t	177962	€300,00
30t	177963	€300,00
35t	177964	€300,00
40t	177965	€300,00
50t	177967	€300,00

**Options**

Part #	Description	Price
173798	Stainless steel cup set	€50,00

**Dimensions**

Rated Capacity	A	B	C	D	E	F	G	H
mm								
10 - 50t	73,7	23,4	21,4	Ø56,8	Ø88,9	Ø50,5	52,5	Ø43,8



# RL5426D

Digital, Stainless Steel, Hermetically Sealed, C6, IP69K



## Specifications

- Transmission Speed:**  
100 kHz (max)
- Current Consumption:**  
35 mA
- Conversion per Second:**  
40 s
- Material/Finish:**  
Stainless steel
- Certified Temperature:**  
-10° C to 40° C
- Operating Temperature:**  
-20° C to 70° C
- Seal Type:**  
Hermetically sealed, IP69K
- Rated Excitation:**  
15V
- Vmin:**  
Emax/18000
- Insulation Resistance:**  
>5000 Megohms
- Cable Length:**  
15 m
- Cable Construction:**  
PVC
- Warranty:**  
Two-year limited warranty
- Approvals:**  
**EU**  
LEGAL FOR TRADE CERTIFIED

## Order Information

Picture is a representation of actual product

Load Rating	Part#	Price
10 t	177779	€400,00
15 t	177780	€400,00
20 t	177781	€400,00
25 t	177782	€400,00
30 t	177783	€400,00
35 t	177784	€400,00
40 t	177785	€400,00
50 t	177786	Consult

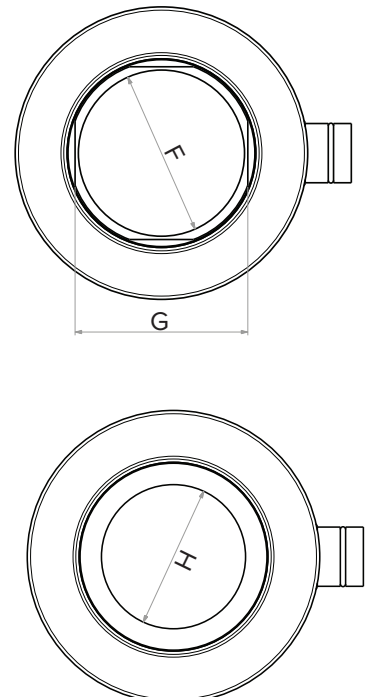
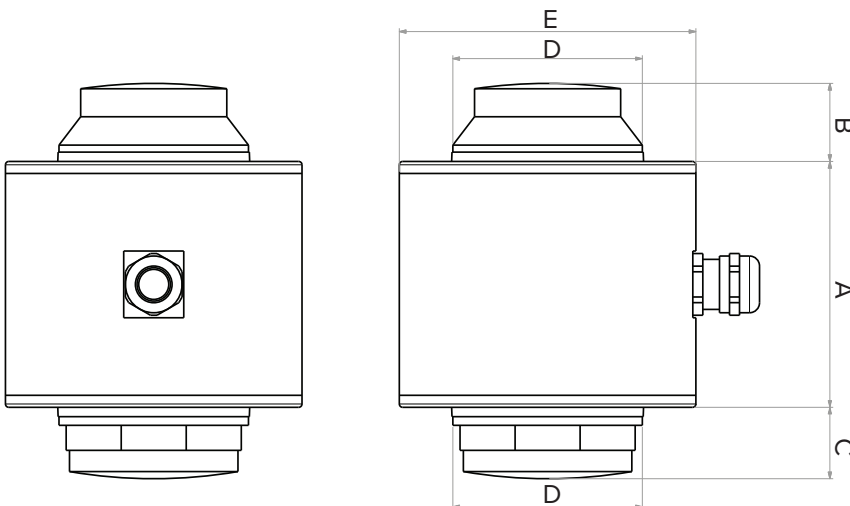
\*Versions with connectors available, consult factory

## Options

Part#	Description	Price
173798	Stainless steel cup set	€50,00

## Dimensions

Rated Capacity	A	B	C	D	E	F	G	H
mm								
10 - 50t	73,7	23,4	21,4	Ø56,8	Ø88,9	Ø50,5	52,5	Ø43,8



**Specifications**

- Transmission Speed:**  
100 kHz (max)
- Current Consumption:**  
35 mA
- Conversion per Second:**  
40 s
- Material/Finish:**  
Stainless steel
- Certified Temperature:**  
-10° C to 40° C
- Operating Temperature:**  
-35° C to 70° C
- Seal Type:**  
Hermetically sealed, IP68
- Rated Excitation:**  
15VDC / 8 ÷ 15
- Vmin:**  
Emax/18000
- Insulation Resistance:**  
5000 Megohms
- Cable Length:**  
4 m, 7 m, 9m, 15 m, 25 m, 50 m
- Cable Construction:**  
Polyurethane
- Warranty:**  
Two-year limited warranty
- Approvals:**



**Order Information**

*Picture is a representation of actual product*

Load Rating	Part #	Price
30t	195845	Consult
40t	195846	Consult

Cables					
Length	1 Connector		2 Connector		Price
	Part #	Price	Part #	Price	
15m	182733	Consult	4 m	182736	€86,00
25m	182734	€86,00	7 m	182737	€92,00
50m	182735	€130,00	9m	182738	€97,00

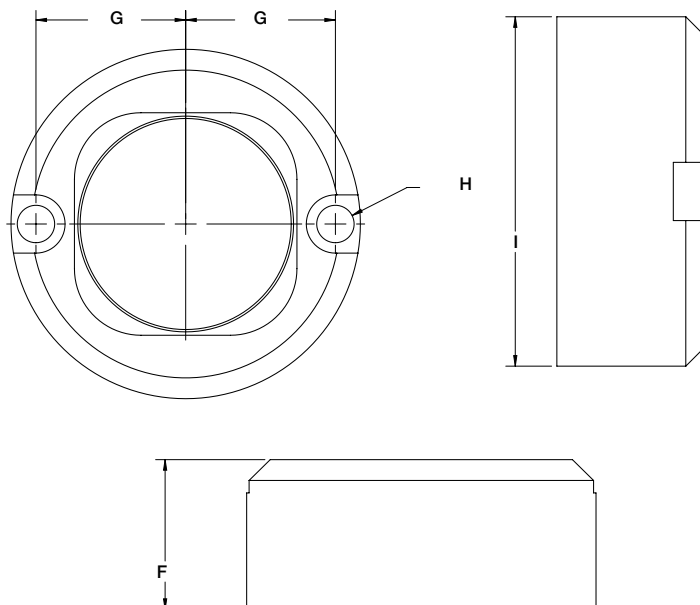
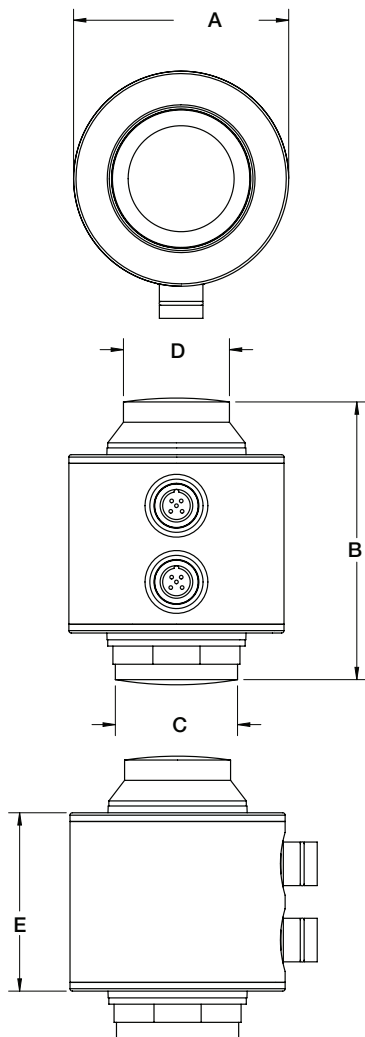
**Options**

*Picture is a representation of actual product*

Part #	Description	Price
173798	Stainless steel cup set	€50,00

**Dimensions**

Rated Capacity	A	B	C	D	E	F	G	H	I
mm									
30 - 40t	ø089	114	ø51	ø44	74	36	36	ø9	ø84



# RL6515

Stainless Steel, Welded Seal, IP68



## Specifications

- Full Scale Output:**  
2,0mV/V
- Output Resistance:**  
700 ohms ± 5
- Input Resistance:**  
750 ohms ± 10
- Material/Finish:**  
Stainless steel
- Temperature:**  
-10° C to 40° C
- Seal Type:**  
Welded seal, IP68
- Safe Overload:**  
120% FS
- Rated Excitation:**  
10 VDC (15VDC max)
- Combined Error:**  
0.05% FS
- Insulation Resistance:**  
> 5.000 Megohms

- Cable Length:**  
5 m 250-5.000 kg  
10 m 7.500-100.000 kg

- Cable Color Code:**  
Red .....+ Excitation  
Black.....- Excitation  
Green.....+ Signal  
White .....- Signal

- Warranty:**  
One-year limited warranty

**Approvals:**

Complies with  
OIML R60  
Capacities  
2.500 to 12.500



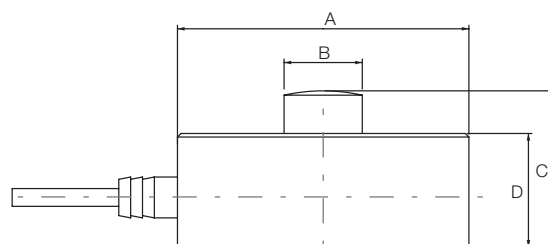
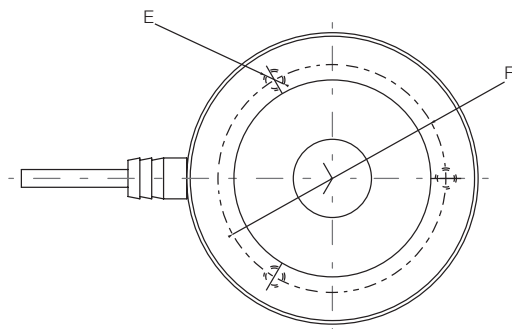
## Order Information

Picture is a representation of actual product

Load Rating	Part Number	Price
250 kg	<b>185195</b>	€291,00
500 kg	<b>185196</b>	€291,00
1.000 kg	<b>185197</b>	€291,00
2.500 kg	<b>185198</b>	€291,00
5.000 kg	<b>185199</b>	€291,00
7.500 kg	<b>185200</b>	€291,00
12.500 kg	<b>185201</b>	€291,00
15.000 kg	<b>185202</b>	€330,00
30.000 kg	<b>185203</b>	€330,00
50.000 kg	<b>185204</b>	€990,00
100.000 kg	<b>185205</b>	€990,00
Mounts		
250-12.500 kg	<b>185208</b>	Consult
15.000 kg	<b>185209</b>	Consult
30.000 kg	<b>185210</b>	Consult
50.000-100.000 kg	<b>185211</b>	Consult
250-12.500 kg alloy steel	<b>185212</b>	Consult

## Dimensions

Nominal Capacity	A	B	C	D	E	F
mm						
250-12.500 kg	Ø82	Ø22	44	32	N°3 M8	Ø70
15.000 kg	Ø100	Ø28	48,5	35	N°3 M10	Ø80
30.000 kg	Ø126	Ø35	54	40	N°3 M12	Ø90
50.000-100.000 kg	Ø165	Ø60	80	60	N°3 M16	Ø130



## MSI-Load Pin Sensors

### Standard Features

- 23-74 mm diameter x <305 mm loaded length
- Internally gauged load pin
- Idler sheave or dead end pin preferred location
- Minimum 5:1 safety factor
- 17/4 stainless steel construction
- $\pm 1\%$  to 3% accuracy of hoist capacity
- -40°C to 60°C operating temperature



A key component for MSI's integrated overhead weighing solutions is the Load Pin Sensor. Typically designed and manufactured specifically to each integrated solution, the MSI load pin is strictly industrial grade. Each load pin design is precision machined from 17-4 stainless steel for safety, strength and corrosion resistance.

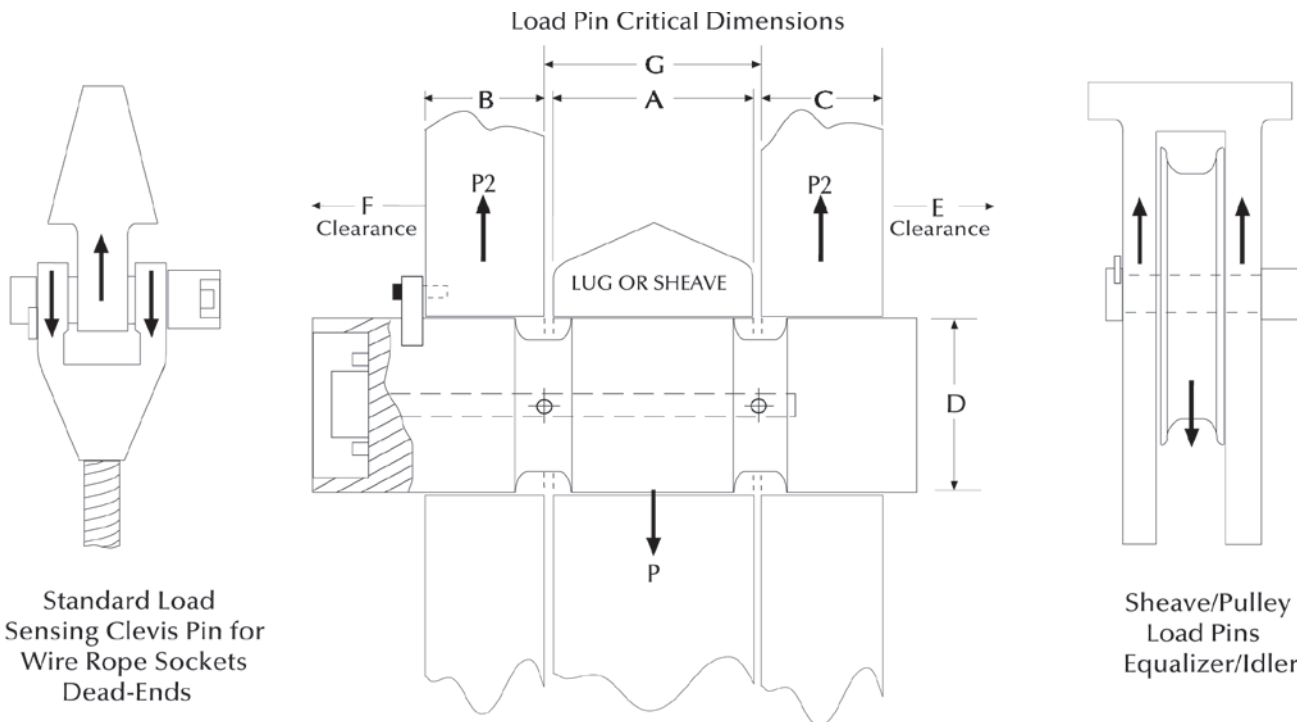
Each strain gauge location is precisely calculated and correctly placed in the optimum concentrated stress area of each installation. This MSI-applied engineering process ensures the most efficient and accurate performance for each specific installation.

MSI load pin designs apply only internally mounted strain gauges for complete protection from the outside environment.

**To receive a quotation for a load pin sensor to meet your application requirements, complete the load pin questionnaire also located at [www.ricelake.com](http://www.ricelake.com) or contact an MSI overhead weighing specialist for further application assistance.**

# MSI-Load Pin Questionnaire

LOAD CELLS



Standard Load Sensing Clevis Pin for Wire Rope Sockets Dead-Ends

Sheave/Pulley Load Pins Equalizer/Idler

Load Pin Data	
A=Width _____	Inch
B=Width _____	Inch
C=Width _____	Inch
D=Pin Diameter _____	Inch
E=Clearance _____	Inch
F=Clearance _____	Inch
G=Width _____	Inch
Lube Port <input type="checkbox"/> No <input type="checkbox"/> Yes _____	# of exits
Hoist Capacity _____	Tons
Parts of Wire Rope _____	
Sensor Capacity _____	Tons
Factor of Safety <input type="checkbox"/> 3:1 <input type="checkbox"/> 5:1 <input type="checkbox"/> 7:1 <input type="checkbox"/> 10:1	
Application _____	
Accuracy Requirement _____	
Temperature Requirement _____	
Required Output _____	
Material Testing Requirement _____	
Load Vector Orientation/Alignment <input type="checkbox"/> ← <input type="checkbox"/> → <input type="checkbox"/> ↓ <input type="checkbox"/> ↑	
Name _____	
Company _____	
Phone _____	
Note: Minimum clearance between "A" and "G" = 0.0625 inch.	

Cable Connections	
End-Mounted Cable	
End-Mounted Connector (standard)	
Side-Mounted Cable	
Side-Mounted Connector	
Recessed Connector	
Sensor's Cable Length _____	Feet
Comments _____	

www.ricelake.com/global | Phone: +31 (0) 26 472 1319

**RICE LAKE**



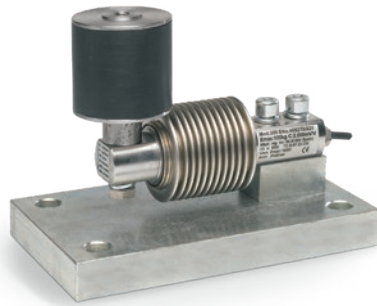
230 W. Coleman St. • Rice Lake, WI 54868 • USA  
 TEL: 800-874-4320 • FAX: 206-244-8470 • [www.ricelake.com/msi](http://www.ricelake.com/msi)

An ISO 9001 registered company © 2019 Rice Lake Weighing Systems PN 154086 10/19  
 Specifications subject to change without notice.



**RL30**

Small to Medium Capacity



Base plate provides good mounting option for the RL30 load cell. Designed to custom fit the bending beam load cell design.

**Applications**

- Small tanks and hoppers
- Conveyors and in-motion weighing
- Small platform scales

**Standard Features**

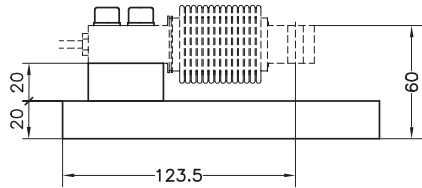
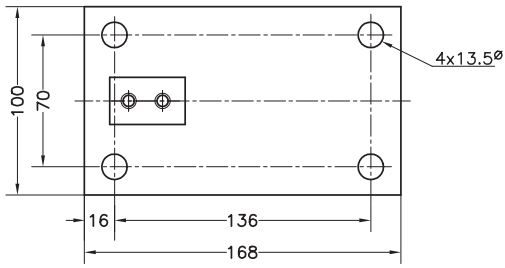
- Available in zinc or stainless steel
- Designed to work with RL30 load cells

**Order Information**

*Picture is a representation of actual product*

Load Rating	Part#	Description	Price
<b>Base Plate</b>			
5 to 500 kg	<b>160870</b>	Zinc plated	€71,00
5 to 500 kg	<b>160874</b>	Stainless steel	€132,00
<b>Lift-off Prevention</b>			
5 to 500 kg	<b>161104</b>	Zinc plated	€163,00
5 to 500 kg	<b>161105</b>	Stainless steel	€234,00
<b>Neoprene Rubber Mount Set Top</b>			
5 to 200 kg	<b>157677</b>		€50,00

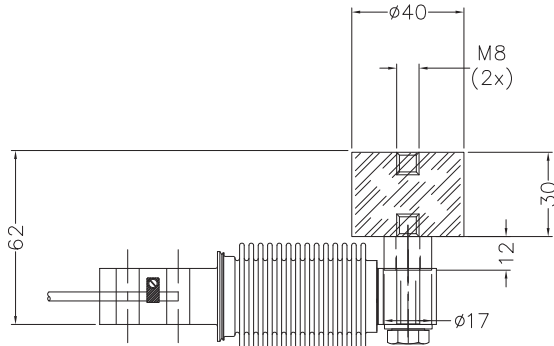
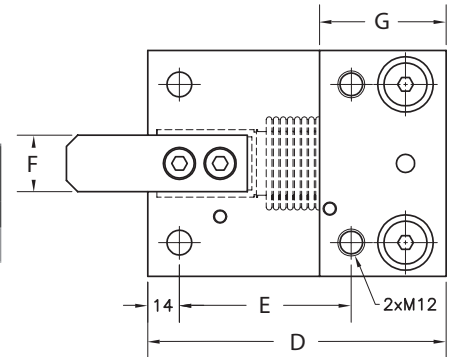
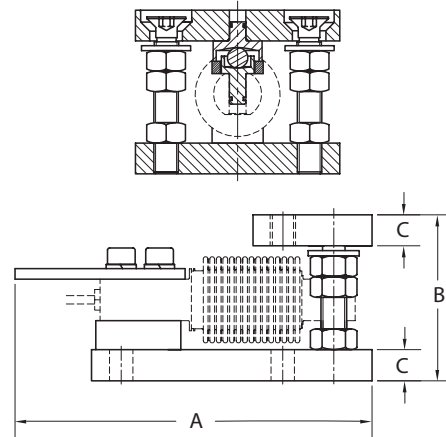
*Note: Refer to page 234 for load cell information*



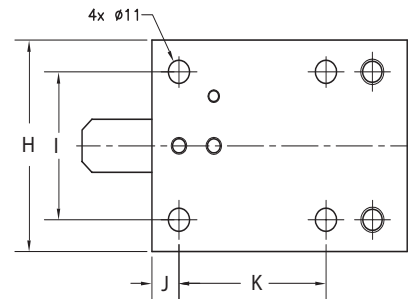
Base Plate

**Dimensions**

Rated Capacity	A	B	C	D	E	F	G	H	I	J
5 to 500 kg	168	136	16	100	70	124	60	4X14	20	20



Neoprene Rubber Mount Set Top



Lift-off Prevention

**Dimensions**

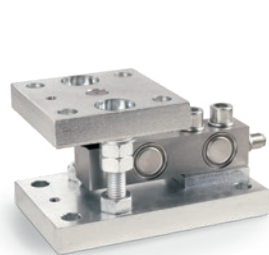
Rated Capacity	A	B	C	D
5 to 200 kg	40	30	17	12

**Dimensions**

Rated Capacity	A	B	C	D	E	F	G	H	I	J	K
5 to 500 kg	168	80	15	132	76	25	56	100	70	14	76

**RL35**

Mount Options, Small to Light Capacity



Lift Off Mount



Elastomer Tank Kit



Load Foot 168691



Load Foot 168689



Load Foot 168690



Stainless Steel Ball Set

Complete mounting solutions for the RL35 single-end beam load cell. Lift-off mount provides protection for the RL35 load cell. Mounting solutions available in alloy or stainless steel. Base plate is available to fill application needs for plate only. Lift-off silent block works in conjunction with base plate to provide correct protection. Ball set provides correct oscillation for mounting applications.

**Standard Features**

- Stainless steel and rubber models available
- Designed to work with RL35 load cells
- Lift-off mount
- Base plate only
- Ball set for oscillation
- Lift-off silent block

**Applications**

- Small tanks and hoppers
- Conveyors and in-motion weighing
- Small platform scales

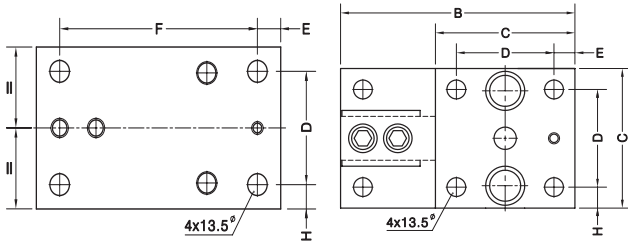
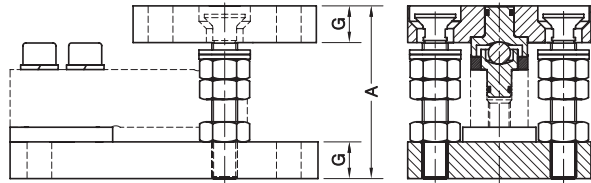
**Order Information: Stainless Steel**

Nominal Capacity	Part #	Est. Weight	Price
<b>Lift-off Mount</b>			
0,3 to 2t	<b>161107</b>	4,5 kg	€315,00
3 to 5t	<b>161109</b>	8,5 kg	€458,00
<b>Base Plate</b>			
0,3 to 2t	<b>161111</b>	3,2 kg	€132,00
3 to 5t	<b>161113</b>	5,8 kg	€264,00
<b>Elastomer Tank Kit</b>			
0,3 to 2t	<b>160872</b>	2 kg	€92,00
3 to 5t	<b>160873</b>	3,2 kg	€188,00
<b>Stainless Steel Ball Set</b>			
0,3 to 2t	<b>163042</b>	0,1 kg	€41,00
3 to 5t	<b>163043</b>	0,15 kg	€56,00
<b>Neoprene Rubber Mount Top</b>			
0,3 to 1t	<b>157678</b>	1 kg	€85,00
2t	<b>157679</b>	1 kg	€125,00
<b>Load Foot</b>			
0,3 to 2t	<b>168689</b>	1 kg	€20,00
0,3 to 2t	<b>168691</b>	1 kg	€51,00
0,3 to 2t, self centering	<b>168690</b>	1 kg	€50,00

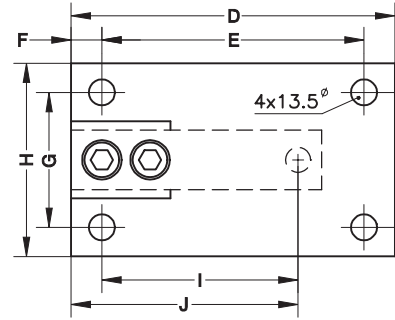
Note: Refer to "RL35" on page 221 for load cell information  
Mounts and load feet do not include load cell

**Order Information: Alloy Steel**

Nominal Capacity	Part #	Est. Weight	Price
<b>Lift-off Mount</b>			
0,3 to 2t	<b>161106</b>	4,5 kg	€198,00
3 to 5t	<b>161108</b>	8,5 kg	€275,00
<b>Base Plate</b>			
0,3 to 2t	<b>161110</b>	3,2 kg	€71,00
3 to 5t	<b>161112</b>	5,8 kg	€132,00



Lift-off Mount



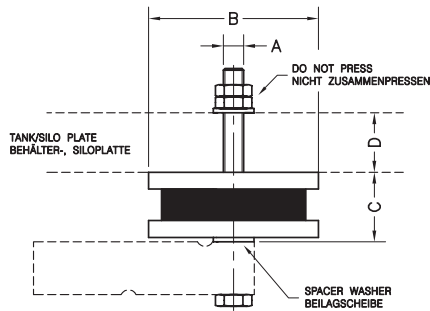
Base Plate

**Dimensions**

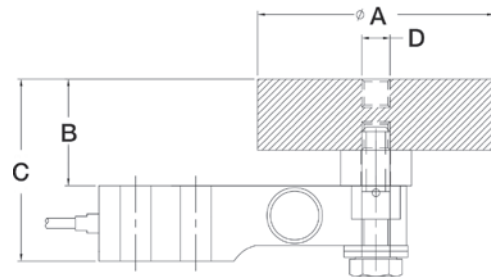
Rated Capacity	A	B	C	D	E	F	G	H
mm								
0,3 - 2t	94	168	100	70	16	136	20	15
3 to 5t	113	212	120	84	19	175	25	18

**Dimensions**

Rated Capacity	A	B	C	D	E	F	G	H	I	J
mm										
0,3 - 2t	20	20	72	168	136	16	70	100	102	118
3 to 5t	20	25	93	212	175	19	84	120	134	152



Elastomer Tank Kit



Neoprene Rubber Mount Top

**Dimensions**

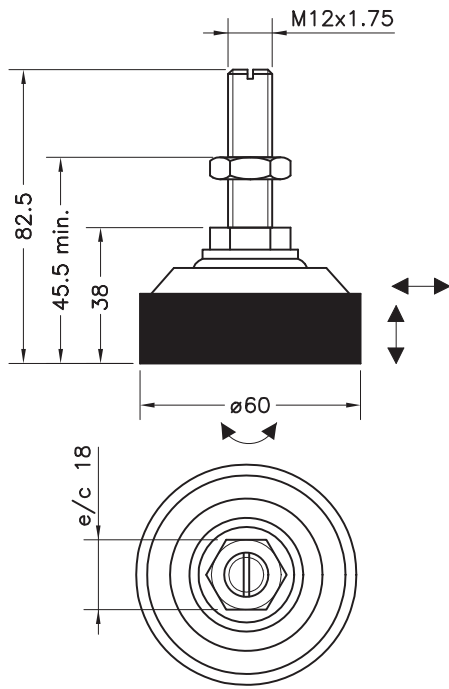
Rated Capacity	A	B	C	D
mm				
0,3 to 2t	M12	100	41	0-35
3 to 5t	M20	150	44	10-35

**Dimensions**

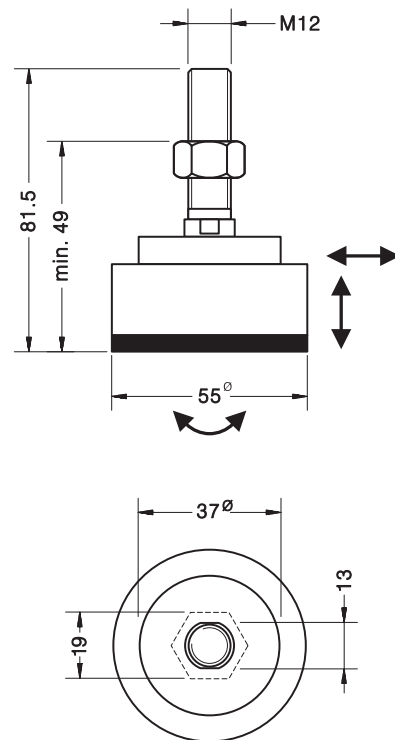
Rated Capacity	A	B	C	D
mm				
0,3 to 1t	100	45	76.8	M12
2t				

# RL35

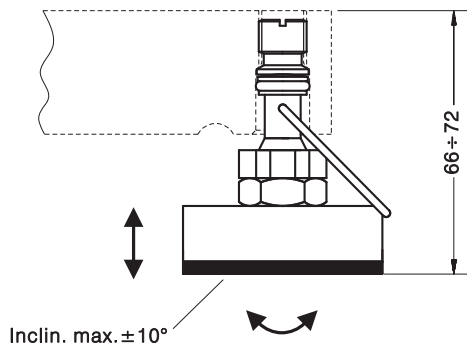
Mount Options, Small to Light Capacity



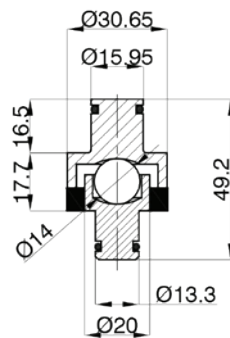
Load Foot, 168689



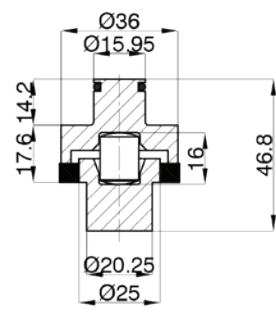
Load Foot, 168690



Load Foot, 168691



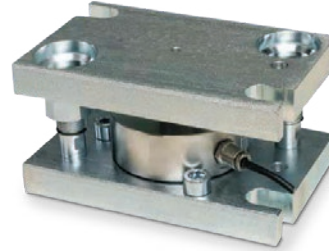
Stainless Steel Ball Set  
0,3 to 2 ton



Stainless Steel Ball Set  
3 to 5 ton

## Applications

- Tank, hopper or vessel weighing



The RL42 weigh modules, available in alloy steel and stainless steel, are ideal for use in tank, hopper, vessel and many other applications.

The low-profile design offers an economical solution in a competitive marketplace.

This rugged, high-precision mount is designed for easy installation.

## Standard Features

- Capacities 2,5 to 30 ton
- Low profile design
- Lift-off protection design

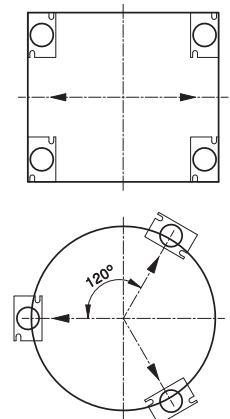
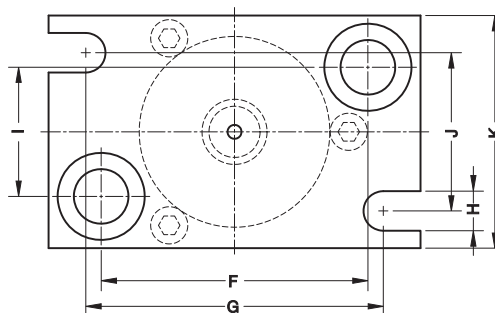
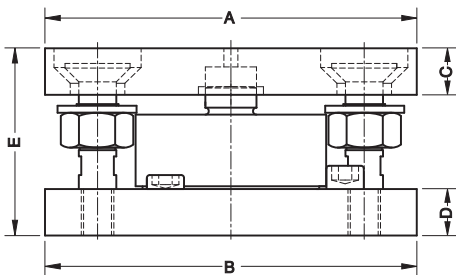
## Order Information

Nominal Capacity	Part #	Price
<b>Alloy</b>		
2,5 / 5 / 10t	<b>161114</b>	€142,00
20 - 30t	<b>161116</b>	€234,00
<b>Stainless Steel</b>		
2,5 / 5 / 10t	<b>161115</b>	€259,00
20 - 30t	<b>161117</b>	€509,00

*Note: Refer to page 255 for load cell information*

## Dimensions

Rated Capacity	A	B	C	D	E	F	G	H	I	J	K
mm											
2,5, 5, 10t	160	160	20	20	80	115	128	17	56	68	100
20 - 30t	218	218	25	25	100	168	180	21	100	100	150

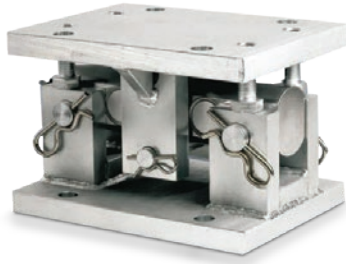


**RL46**

Medium to Heavy Capacity, Alloy or Stainless Steel

**Applications**

- Silo weighing



The RL46 mount module kit utilizes the RL46 load cell to provide an excellent level of performance in tank and hopper weighing applications.

Each module features lift-off prevention for silos.

**Standard Features**

- Module capacities from 5 to 100 tons
- Alloy steel or stainless steel mounts
- Lift-off prevention

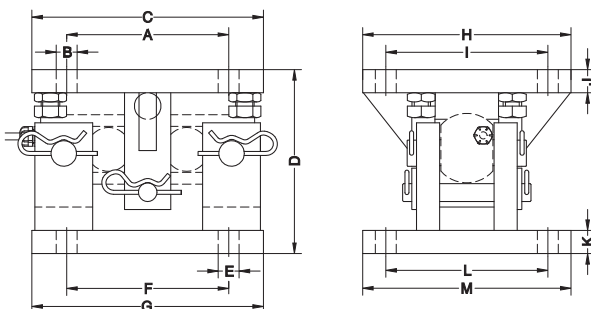
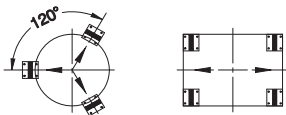
**Order Information**

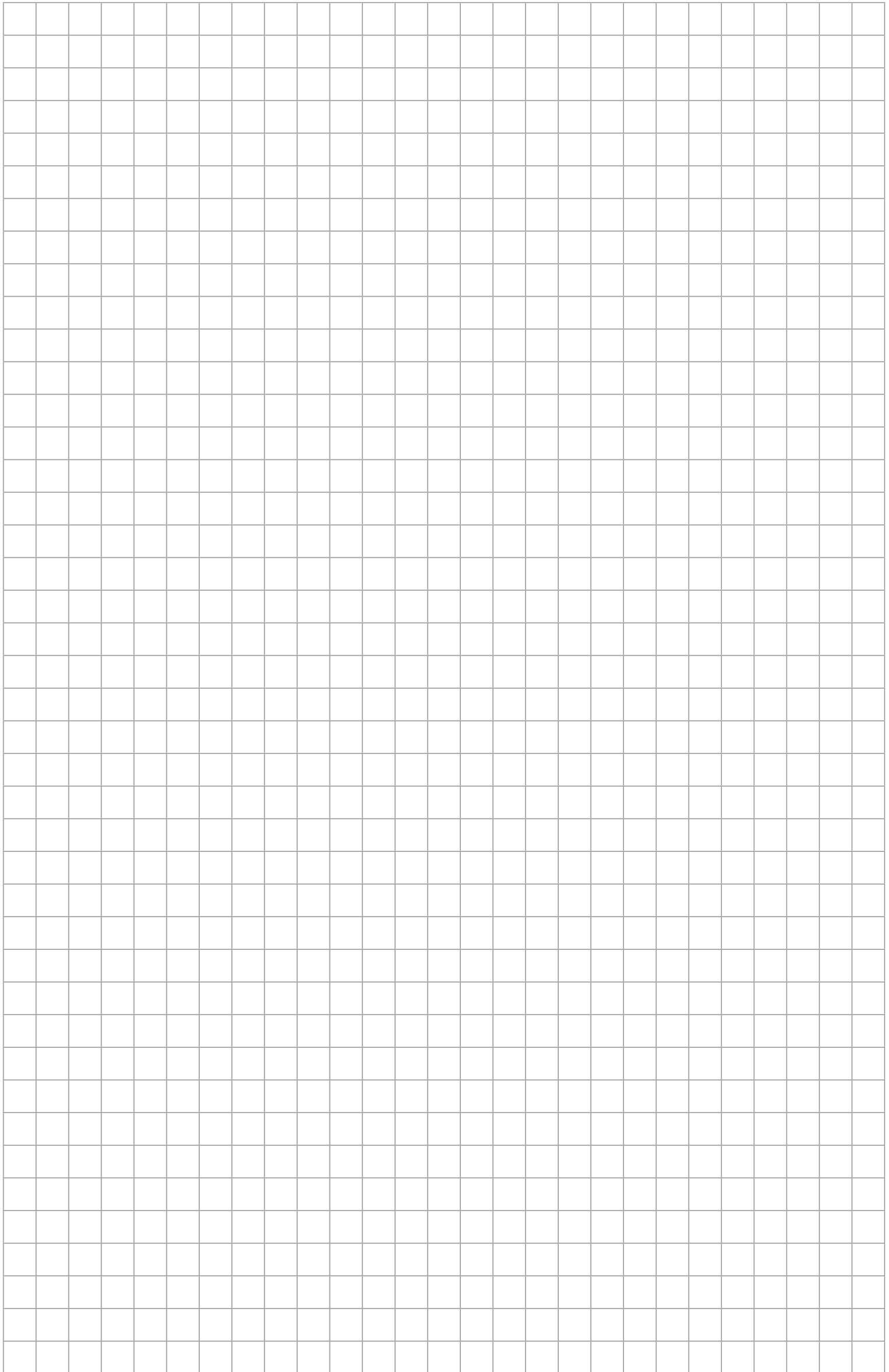
Nominal Capacity	Part #	Est. Weight	Price
<b>Alloy</b>			
5 to 20 t	<b>161118</b>	17 kg	€341,00
30 to 50 t	<b>161120</b>	39 kg	€615,00
75 to 100 t	<b>161122</b>	82 kg	€1.184,00
<b>Stainless Steel</b>			
5 to 20 t	<b>161119</b>	17 kg	€686,00
30 to 50 t	<b>161121</b>	39 kg	€1.357,00
75 to 100 t	<b>161123</b>	82 kg	€2.709,00

Note: Refer to page 235 for load cell information

**Dimensions**

Rated Capacity	A	B	C	D	E	F	G	H	I	J	K	L	M
mm													
5 to 20 t	140	18	200	160	18	140	200	180	140	20	20	140	180
30 to 50 t	175	22	300	200	22	175	300	220	175	25	25	175	220
75 to 100 t	220	26	370	270	26	220	370	300	220	30	30	220	300





**RL74**

Options for Silo Weighing



The RL74 mount options are designed to specially work with the RL74 load cell.

The mount options provide excellent lift-off protection for silo weighing.

**Applications**

- Medium to high capacity tanks, bins and hoppers
- Process control and batch weighing

**Standard Features**

- Capacities to 60t standard
- Steel alloy zinc plated mounts

**Order Information: Lift-Off Mount**

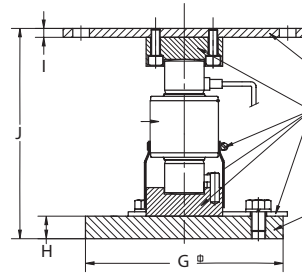
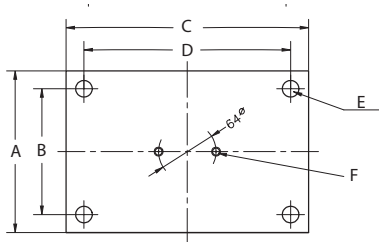
Nominal Capacity	Part #	Est. Weight	Price
<b>Nickel</b>			
15 - 40t	161124	3 kg	€51,00
60t	161126	3 kg	€56,00
<b>Stainless Steel</b>			
15 - 40t	161125	3 kg	€71,00
60t	161127	3 kg	€71,00

**Order Information: Self-Alignment**

Nominal Capacity	Part #	Est. Weight	Price
100 - 200t	161128	7 kg	€172,00
400t	161129	27 kg	€1.011,00
600t	161130	36 kg	€1.215,00

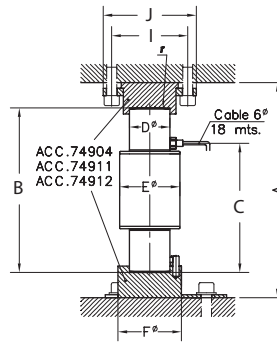
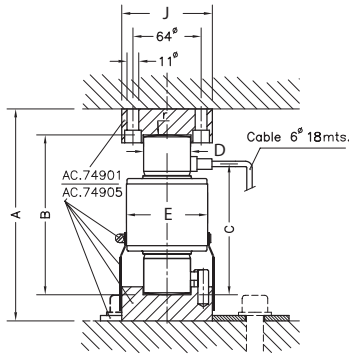
**Order Information: Lift-Off Prevention**

Nominal Capacity	Part #	Est. Weight	Price
15 - 40t	161131	19 kg	€625,00
60t	161132	98 kg	€833,00
100 to 200t	161133	98 kg	€2.531,00
400t	161134	142 kg	€3.821,00
600t	161135	185 kg	€4.091,00



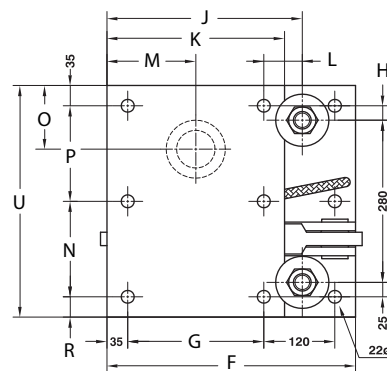
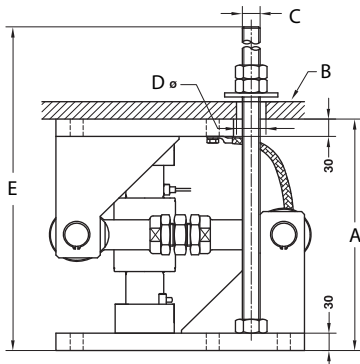
**Dimensions**

Rated Capacity	A	B	C	D	E	F	G	H	I	J
mm										
15 - 40t	180	140	270	230	4x19	2 x M10	200	25	10	235
60t	180	140	270	230	4x19	2 x M10	200	25	10	295



**Dimensions**

Rated Capacity	A	B	C	D	F	G	H	I	J	D Max	E Max	F Radius
mm												
15t - 20t	200	150	123	44		165	18	64	85	13	5	130
25t	200	150	123	44		165	18	64	85	13	5	150
30t	200	150	123	44		165	18	64	85	13	5	160
40t	200	150	123	44		165	18	64	85	13	5	180
60t	260	210	153	44		165	18	64	85	11	3	220
100t	340	260	208	64	100	165	17	120	147	18	4	290
200t	340	260	208	64	100	165	17	120	147	9	2	400
400t	400	260	208	109	160	200	21	190	220	8	1,4	700
600t	440	260	208	118	160	200	21	190	220	8	1,4	800



**Dimensions**

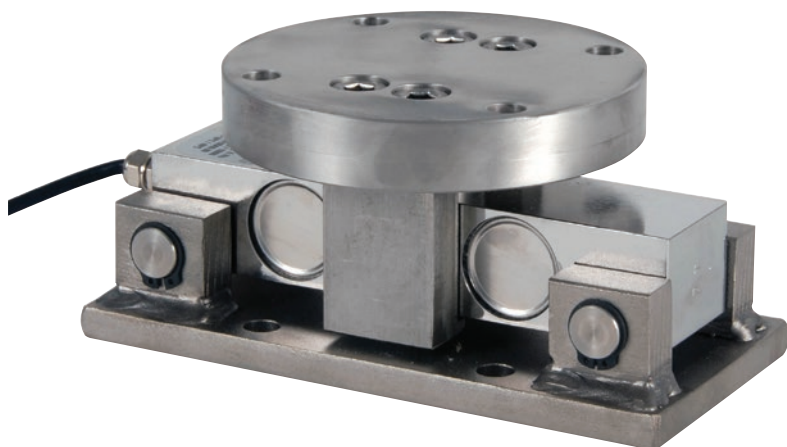
Rated Capacity	A	B	C	D	E	F	G	H	I	J	K	L	M	N	O	P	Q	R
mm																		
15 - 40t	230	15	M20	28	500	280	115	115	33	198	160	58	83	103	200	65	50	15
60t	300	20	M20	28	500	280	115	115	33	198	160	83	103	65	200	65	50	15
100 - 200t	400	30	M30	50	1000	420	230	120	25	330	300	65	150	165	400	165	110	35
400t	460	30	M30	50	1030	460	230	120	25	346	316	65	166	165	400	165	110	35
600t	510	35	M33	55	1035	530	270	180	25	400	345	90	175	185	450	185	133	40

# RL921 (Teton Top)

Mount Tank, Hopper and Vessel Weighing, Nickel or Stainless Steel

## Applications

- Medium capacity hoppers, bins or tanks
- Chemical batching/blending
- Fertilizer blending



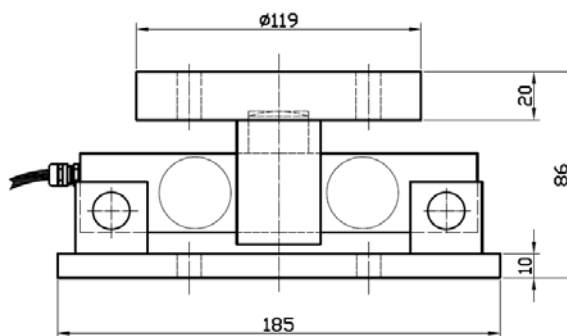
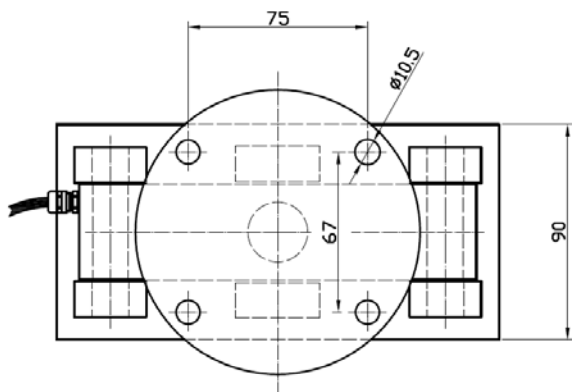
### Mount Only. Does Not Include Load Cell

The RL92 Series mounting assembly utilizes the RL92 load cell and foot plate to provide an unmatched level of performance in tank and hopper weighing applications. The RL92 Series mount is ideally suited for indoor and outdoor process control operations with medium-range capacities. Modules are available with ball mount or standard mount, nickel-plated treatment or stainless steel construction.

### Order Information (Includes load cell)

Nominal Capacity	Part #	Price
<b>Teton / Nickel RL921N / Including Base Plate</b>		
3.000 kg	161149	€136,00
4.000 kg	161153	€136,00
5.000 kg	161157	€136,00
7.500 kg	161161	€136,00
10.000 kg	161165	€136,00
<b>Base Plate Only / Nickel RL92N</b>		
3.000-10.000 kg	161147	€73,00
<b>Teton / Stainless Steel RL921S / Including Base Plate</b>		
3.000 kg	161150	€267,00
4.000 kg	161154	€267,00
5.000 kg	161158	€267,00
7.500 kg	161162	€267,00
10.000 kg	161166	€267,00
<b>Base Plate Only / Stainless Steel RL92S</b>		
3.000-10.000 kg	161148	€131,00

Note: Refer to page 236 for load cell information



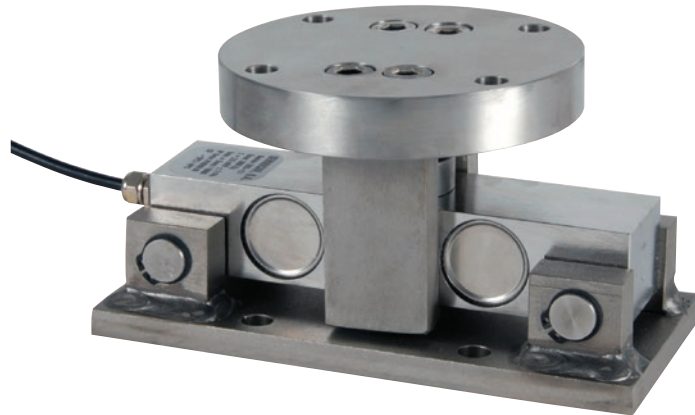
RL921

**RL923 (Ball Mount Top)**

Mount Tank, Hopper and Vessel Weighing, Nickel or Stainless Steel

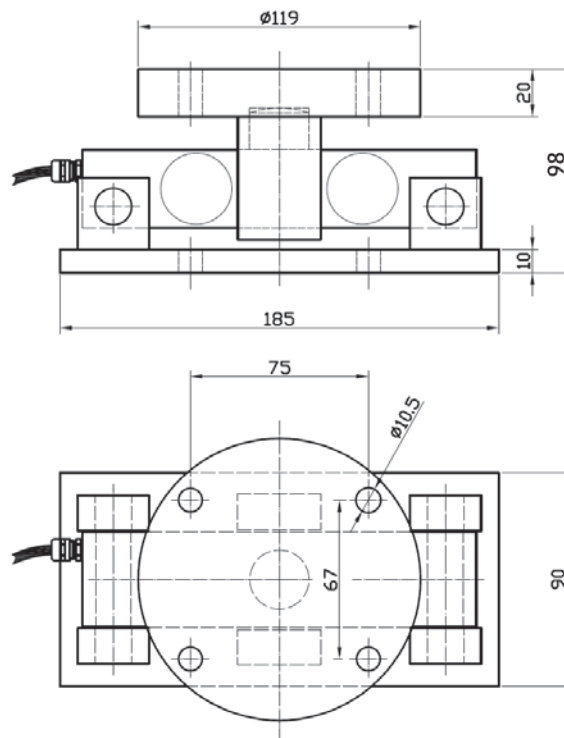
**Applications**

- Medium capacity hoppers, bins or tanks
- Chemical batching/blending
- Fertilizer blending


**Mount Only. Does Not Include Load Cell**  
**Order Information**

Nominal Capacity	Part #	Price
<b>Ball / Nickel RL923N / Including Base Plate</b>		
3.000 kg	161151	€141,00
4.000 kg	161155	€141,00
5.000 kg	161159	€141,00
7.500 kg	161163	€141,00
10.000 kg	161167	€141,00
<b>Base Plate Only / Nickel RL92N</b>		
3.000-10.000 kg	161147	€73,00
<b>Ball / Stainless Steel RL923S / Including Base Plate</b>		
3.000 kg	161152	€271,00
4.000 kg	161156	€271,00
5.000 kg	161160	€271,00
7.500 kg	161164	€271,00
10.000 kg	161168	€271,00
<b>Base Plate Only / Stainless Steel RL92S</b>		
3.000-10.000 kg	161148	€131,00

Note: Refer to page 236 for load cell information



RL923

WEIGH MODULES WITHOUT LOAD CELLS

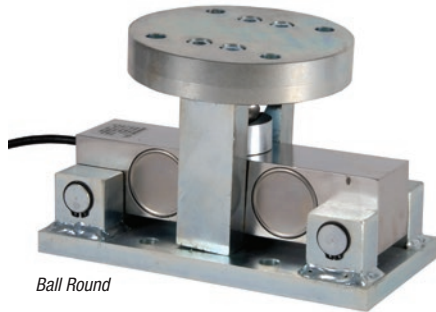
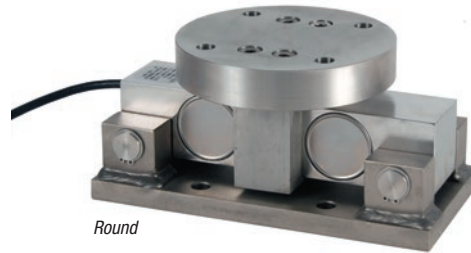
# RL931 (Round Top)

## RL933 (Ball Round Top)

Medium to Heavy Capacity

### Applications

- Medium to heavy capacity tanks, blenders, reactors and bulk inventory management
- Petroleum refining process control
- Chemical blending/batching



### Mount Only. Does Not Include Load Cell

The RL93 Series mounting assembly utilizes the RL93 load cell and foot plate to provide an unmatched level of performance in tank and hopper weighing applications. The RL93 Series mount is ideally suited for indoor and outdoor process control operations with medium to heavy capacities. Modules are available with ball mount, round or square mount, nickel-plated or stainless steel construction.

### Order Information: Stainless Steel

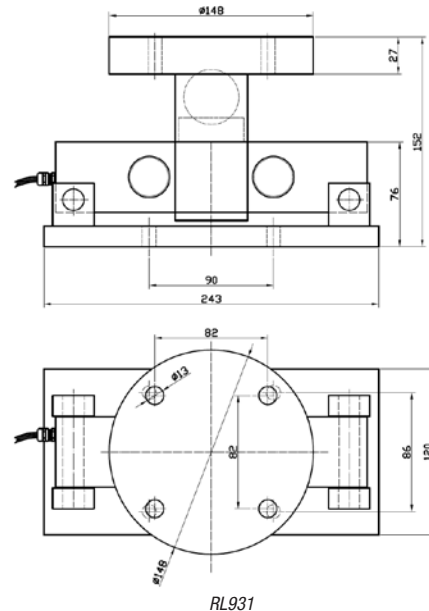
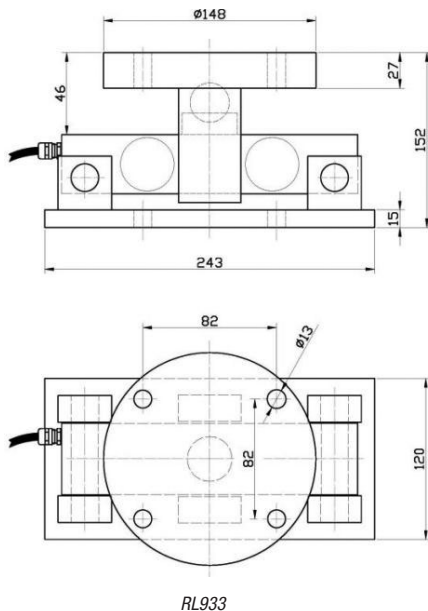
Nominal Capacity	Part #	Price
<b>RL931S / Including Base Plate</b>		
5t	161177	€358,00
10t	161183	€358,00
15t	161189	€358,00
20t	161195	€358,00
25t	161201	€358,00
<b>RL933S / Including Base Plate</b>		
5t	161181	€383,00
10t	161187	€383,00
15t	161193	€383,00
20t	161199	€383,00
25t	161205	€383,00
<b>Base Plate Only / RL93S</b>		
5 - 25 t	161175	€170,00

Note: Refer to page 237 for load cell information

### Order Information: Nickel

Nominal Capacity	Part #	Price
<b>RL931N / Including Base Plate</b>		
5t	161176	€189,00
10t	161182	€189,00
15t	161188	€189,00
20t	161194	€189,00
25t	161200	€189,00
<b>RL933N / Including Base Plate</b>		
5t	161180	€242,00
10t	161186	€242,00
15t	161192	€242,00
20t	161198	€242,00
25t	161204	€242,00
<b>Base Plate Only / RL93N</b>		
5 - 25 t	161174	€92,00

Note: Refer to page 237 for load cell information

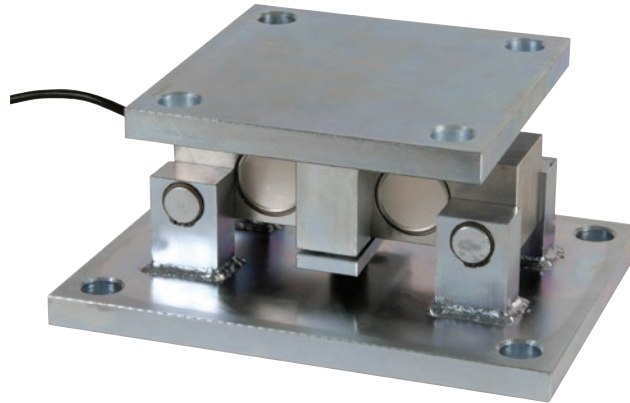


## RL932 (Square Top)

Medium to Heavy Capacity

### Applications

- Medium to heavy capacity tanks, blenders, reactors and bulk inventory management
- Petroleum refining process control
- Chemical blending/batching



### Mount Only. Does Not Include Load Cell

The RL93 Series mounting assembly utilizes the RL93 load cell and foot plate to provide an unmatched level of performance in tank and hopper weighing applications. The RL93 Series mount is ideally suited for indoor and outdoor process control operations with medium to heavy capacities. Modules are available with ball mount, round or square mount, nickel-plated or stainless steel construction.

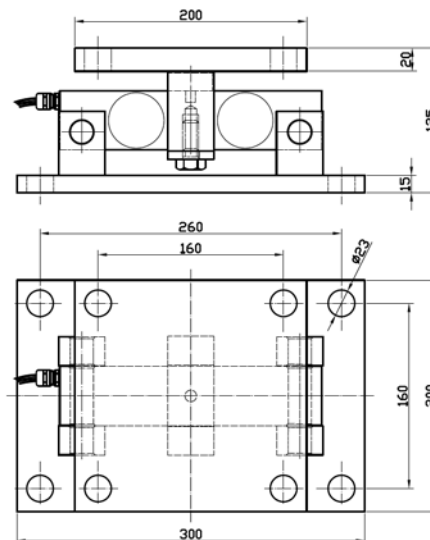
### Order Information: Stainless Steel

Nominal Capacity	Part #	Price
Square / stainless steel / RL932S		
5 - 25 t	161179	€741,00
10t	161185	€741,00
15t	161191	€741,00
20t	161197	€741,00
25t	161203	€741,00

### Order Information: Nickel

Nominal Capacity	Part #	Price
Square / nickel / RL932N		
5t	161178	€233,00
10t	161184	€233,00
15t	161190	€233,00
20t	161196	€233,00
25t	161202	€233,00

Note: Refer to page 237 for load cell information



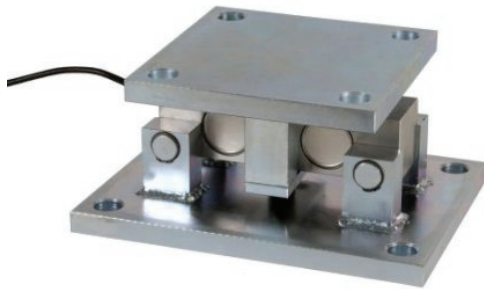
RL932

**RL942**

Mount Tank, Hopper and Vessel Weighing

**Applications**

- Heavy capacity tanks, blenders, reactors and bulk inventory management
- Petroleum refining process control
- Chemical blending/batching

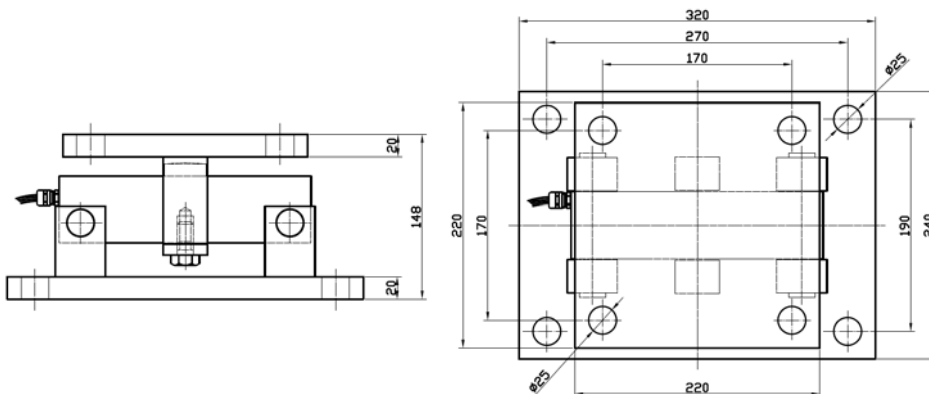
**Mount Only. Does Not Include Load Cell**

The RL942 mount assembly utilizes the RL94 load cell to provide an unmatched level of performance in tank and hopper weighing applications. The RL94 series mount is ideally suited for indoor and outdoor process control operations with medium to heavy capacities. The low-profile compression load cell features a fixed mounting system. Built-in protection against lateral forces is standard. Modules are available with nickel-plated or stainless steel construction.

**Order Information**

Nominal Capacity	Part #	Price
<b>Nickel</b>		
20t	161213	€339,00
25t	161215	€339,00
30t	161217	€339,00
40t	161219	€339,00
50t	161221	€339,00
<b>Base plate only / RL94N</b>		
20 - 50t	161211	€68,00
<b>Stainless steel</b>		
20t	161214	€968,00
25t	161216	€968,00
30t	161218	€968,00
40t	161220	€968,00
50t	161222	€968,00
<b>Base plate only / RL94S</b>		
20 - 50t	161212	€112,00

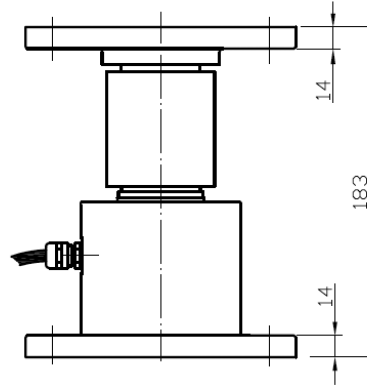
Note: Refer to page 238 for load cell information



## Heavy Capacity Pendulum Mount Tank, Hopper and Vessel Weighing

**Applications**

- Heavy capacity tanks, blenders, reactors and bulk inventory management
- Petroleum refining process control
- Chemical blending/batching

**Mount Only. Does Not Include Load Cell**

The RL964 mount is a low-profile compression load cell with auto-adjusting mount. Ideal for process control, batch weighing, silo/hopper and best scale applications with the built-in protection against lateral forces. Nickel or stainless steel mounts in pendulum-mount design.

**Order Information**

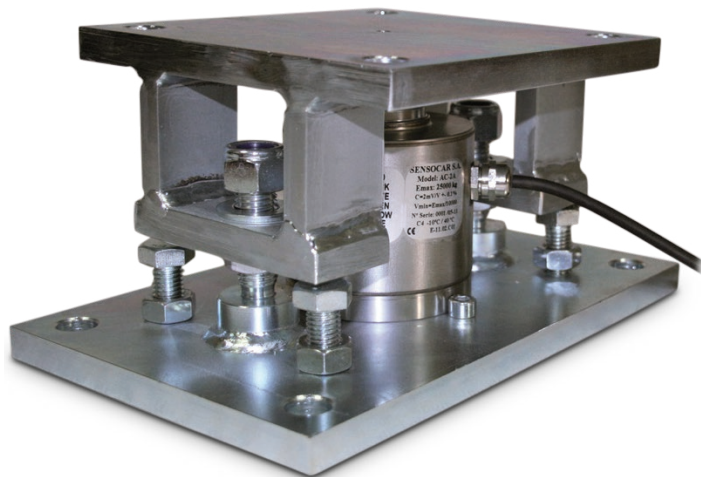
Nominal Capacity	Part #	Price
<b>Nickel</b>		
40t	<b>161263</b>	€209,00
50t	<b>161269</b>	€209,00
75t	<b>161275</b>	€209,00
100t	<b>161281</b>	€209,00
200t	<b>161287</b>	€209,00
<b>Stainless steel</b>		
50t	<b>161270</b>	€209,00
75t	<b>161276</b>	€209,00
100t	<b>161282</b>	€209,00
200t	<b>161288</b>	€209,00

**Dimensions**

Rated Capacity	A	B	C	D	E
mm					
Pendulum Support	183	12	12	85	150

**RL972**

Heavy Capacity, Square Top

**Applications**

- Heavy capacity tanks, blenders, reactors and bulk inventory management
- Petroleum refining process control
- Chemical blending/batching

**Optional Features**

- Load cell checking system

**Mount Only. Does Not Include Load Cell**

The RL972 mount is designed to be used with the RL97 load cell. Low-profile compression design allows mounts to be integrated into tank weigh module systems. Design moves with tilt of the plate to provide stable weighing. The mount can be installed without the load cell.

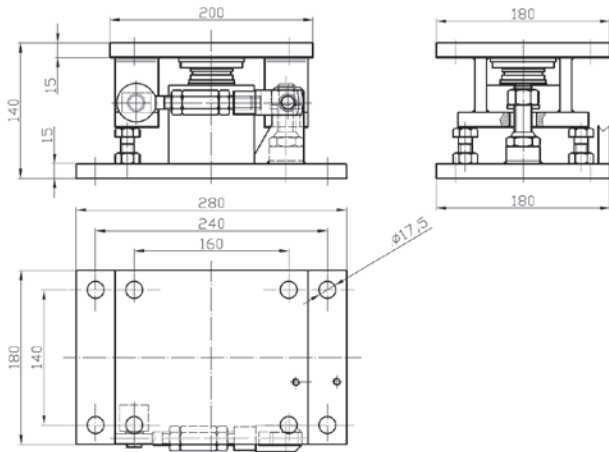
**Order Information**

Nominal Capacity	Part #	Price
<b>Nickel</b>		
15t	161303	€334,00
20t	161305	€334,00
25t	161307	€334,00
30t	161309	€334,00
35t	161311	€334,00
40t	161313	€334,00
50t	161315	€697,00
75t	161317	€697,00
100t	161319	€697,00
200t	161321	€808,00
<b>Stainless Steel</b>		
15t	161304	€475,00
20t	161306	€475,00
25t	161308	€475,00
30t	161310	€475,00
35t	161312	€475,00
40t	161314	€475,00
50t	161316	€1.094,00
75t	161318	€1.094,00
100t	161320	€1.094,00
200t	161322	€1.548,00

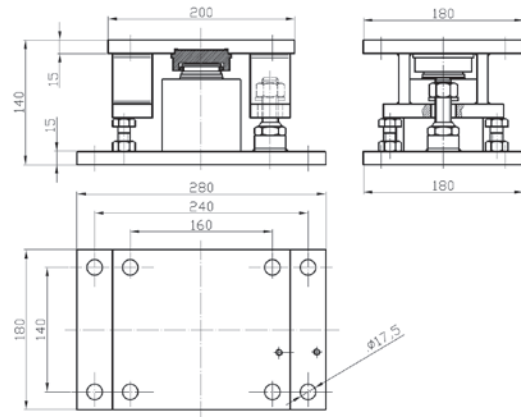
Note: Refer to page 258 for load cell information

**Options/Accessories**

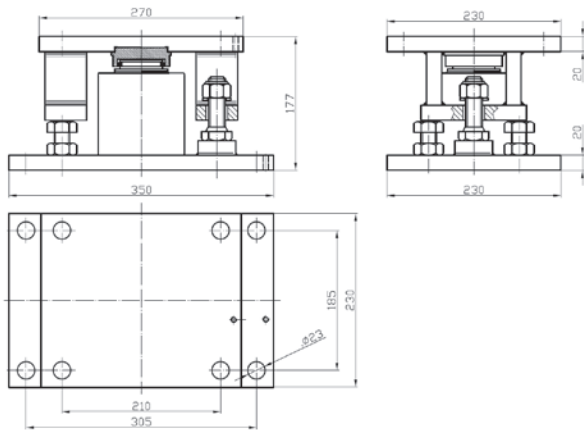
Description	Rating	Part #	Price
<b>Nickel</b>			
Load cell checking	200t	161327	€340,00
<b>Stainless Steel</b>			
Load cell checking	200t	161328	Consult



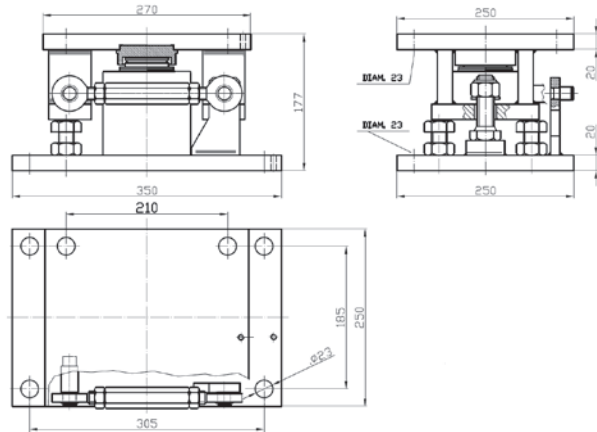
RL972M 10-40t



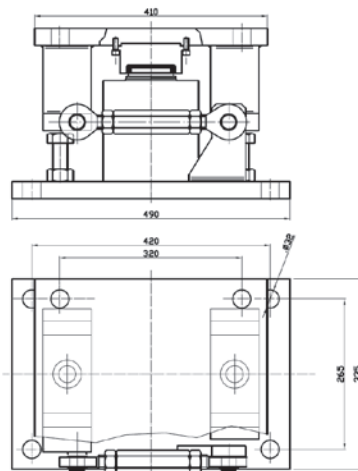
RL972 10 to 40 t



RL972 50 to 100 t



RL972M 50 to 100 t



RL972 200 t

**RL981**

Heavy Capacity

**Applications**

- Heavy capacity tanks, blenders, reactors, and bulk inventory management
- Petroleum refining process control
- Chemical blending/batching

**Mount Only. Does Not Include Load Cell**

The RL981 tank, hooper and vessel weighing module is designed to meet heavy capacity weighing applications. A low-profile compression load cell is complete with a swivel and self-leveling top plate. Mount includes internal system of protection against lateral forces. Expansion joints between top plate and load cell body complete the design.

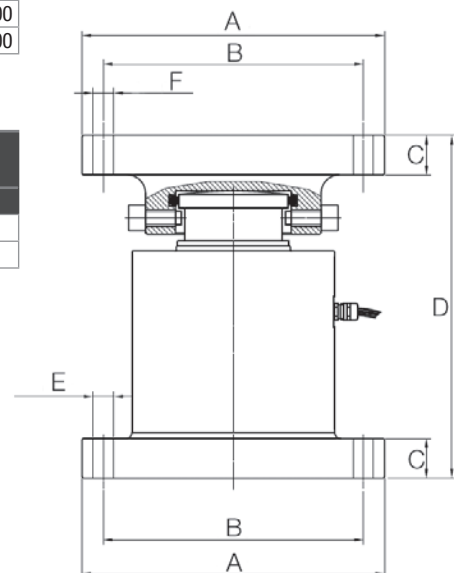
**Order Information**

Nominal Capacity	Part #	Price
<b>Nickel</b>		
15t	161339	€117,00
20t	161341	€117,00
25t	161343	€117,00
30t	161345	€117,00
35t	161347	€117,00
40t	161349	€117,00
50t	161351	€1.779,00
75t	161353	€1.779,00
100t	161355	€1.779,00
<b>Stainless Steel</b>		
15t	161340	€117,00
20t	161342	€117,00
25t	161344	€117,00
30t	161346	€117,00
35t	161348	€117,00
40t	161350	€117,00
50t	161352	€360,00
75t	161354	€360,00
100t	161356	€360,00

Note: Refer to page 259 for load cell information

**Dimensions**

Rated Capacity	A	B	C	D	F	F	G
mm							
15 - 40t	250	215	32	277	150	∅17	∅17
50 - 100t	250	215	32	277	150	∅17	∅17

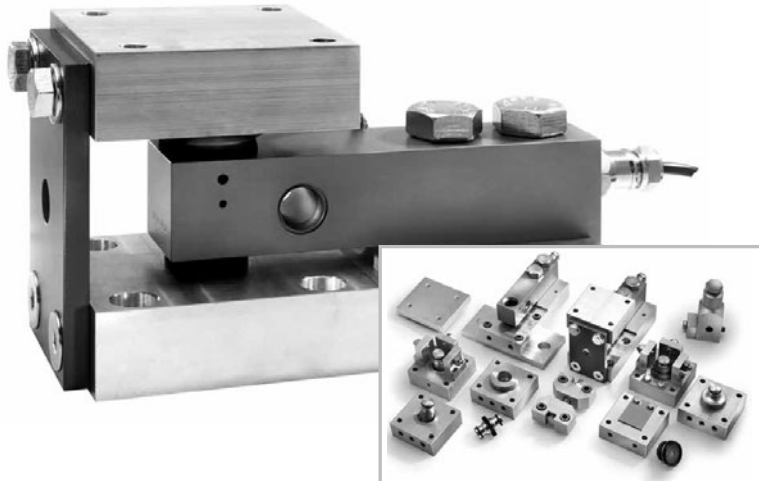


## Applications

- Medium capacity tanks, bins and hoppers
- Process control and batching

## Mount Configuration:

- Rocking system: rocking pin and bumper; free rocking pin and bumping rocking pin
- Sliding system: sliding pin and bumpers, free sliding pin and fixed pin



## Mount Only. Does Not Include Load Cell

The 52-18RS is the ideal choice for status tank and hopper applications.

The 52-18SS (sliding pin) is ideal when very large expansions/contractions due to temperature or other reasons are expected.

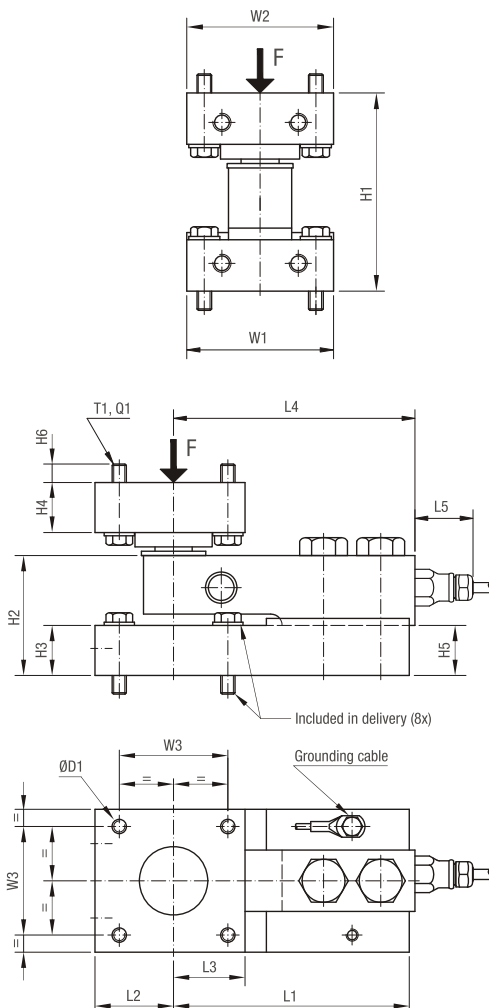
Designed to work with SB4, SB5 and SLB load cells.

## Standard Features

- Universal system
- Capacity range 100 to 10.000 kg
- Blind hole load introduction
- Low profile
- Easy to install
- No check links needed
- Two basic versions:
  - 52-18RS rocking system
  - 52-18SS sliding system

## Optional Features

- Overload protection
- Lift-off protection
- Welding plate
- Bolting plate



## Order Information (Free Rocking Pin)

Dimensions	Part #	Price
<b>Rocking System Mount</b>		
5 - 20 kN	162848	€156,00
50 kN	162849	€257,00
100 kN	162850	€480,00
<b>Rocking System Mount (Bumping Rocking Pin)</b>		
5 - 20 kN	162851	€156,00
50 kN	162852	€257,00
100 kN	162853	€693,00
<b>Sliding System Mount (Sliding Pin and Bumpers)</b>		
5 - 20 kN	162854	€156,00
50 kN	162855	€240,00
100 kN	162856	€480,00

## Dimensions

Rated Capacity mm	H1	H2	H3	H4	H5	H6	L1	L2	L3	L4	L5	W1	W2	W3	D1	T1	Q1
5-20 kN	100	63	25	25	27	14	130	45	40	140	41	80	80	58	9	M8	25 Nm
50 kN	135	84	35	35	35	13	165	55	50	169	41	100	100	76	11	M10	50 Nm
100 kN	195	128	50	50	50	18	205	80	60	215	41	120	150	90	14	M12	115 Nm

WEIGH MODULES WITHOUT LOAD CELLS  
**RL1515/RL1525**

**Specifications**

- Material/Finish:**  
Stainless steel
- Cable Color Code:**  
N/A
- Warranty:**  
One-year limited warranty



**Mount Only. Does Not Include Load Cell**

**Order Information**

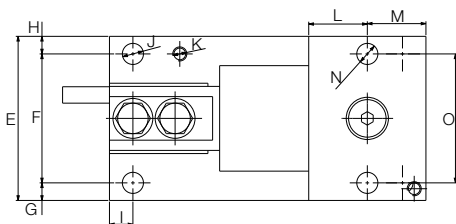
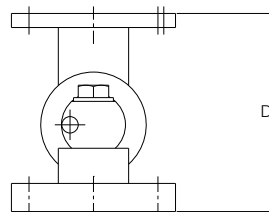
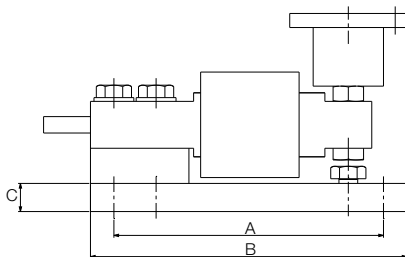
*Picture is a representation of actual product*

Load Rating	Part Number	Price
10-500 kg	185219	€187,00

*Note: Refer to page 231 for load cell information*

**Dimensions**

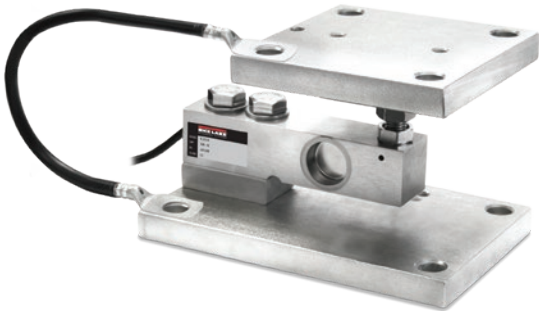
Rated Capacity	A	B	C	D	E	F	G	H	I	J	K	L	M	N	O
mm															
10-500 kg	115	135	12	84,5	70	55	7,5	7,5	10	Ø9	M6	25	25	Ø9	55



**Specifications**

**Material/Finish:**  
Nickel-plated/Stainless Steel

**Warranty:**  
One-year limited warranty



**Mount Only. Does Not Include Load Cell**

**Order Information**

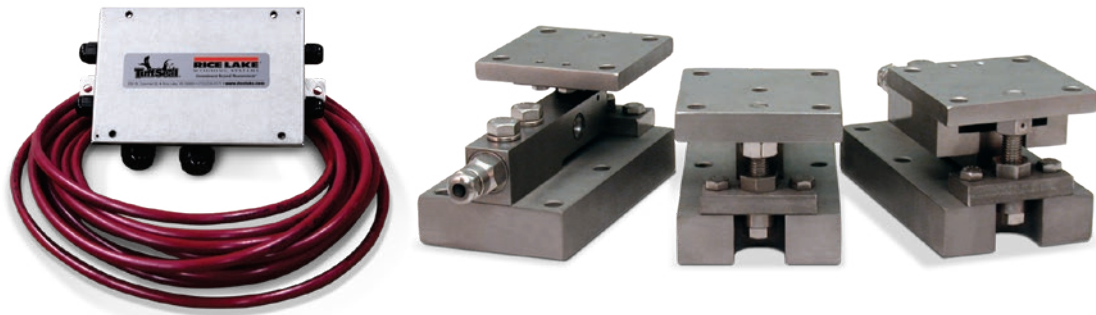
*Picture is a representation of actual product*

Load Rating	Part Number	Price
500-2.000 kg	185213 Nickel	€110,00
500-2.000 kg	185214 Stainless steel	€220,00

*Note: Refer to page 233 for load cell information*

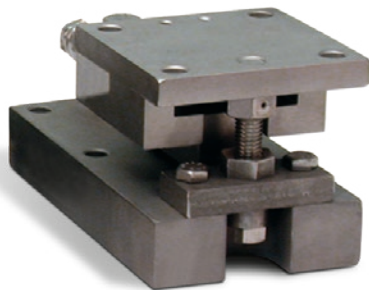
**Paramounts® EP**

Environmentally Protected, Mild Steel, Light to Medium Capacity Tank Weighing Systems

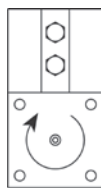


Available in configurations with three or four mounting assemblies.  
Picture is a representation of actual product

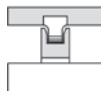
The Paramounts EP system offers all the design advantages of the Paramounts system in applications where extensive sealing of the SB4 load cell is not necessary. Paramounts EP provides a low-cost alternative to the superior mechanical loading system found in the standard Paramounts. Economy and performance are in one complete weighing system.



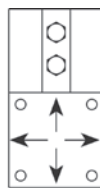
Free-sliding module with Flintec SB5 bending beam load cell.



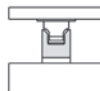
A: FIXED PIN



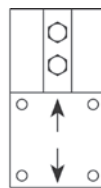
Fixed-pin Mount



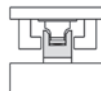
B: FREE SLIDING



Free-sliding Mount



C: SIDE STOP



Side-stop Mount

**Standard Features**

- Capacities (per module): 1 kN/102,1 kg-100 kN/10.205,9 kg
- NTEP Certified load cells
- Unique design allows for thermal expansion/contraction
- Jacking screw allows empty vessel to be lifted clear of load cell for maintenance
- Unique blind load hole eliminates unwanted side and eccentric loads
- Vessel is free to slide laterally on PTFE-coated surfaces
- Load cell outputs are matched to  $\pm 0.07\%$  allowing replacement without further calibration

**Applications**

- Light- to medium-capacity tanks and hoppers
- High-vibration mixers and blenders
- Process measurement and control

**Complete Kit Includes**

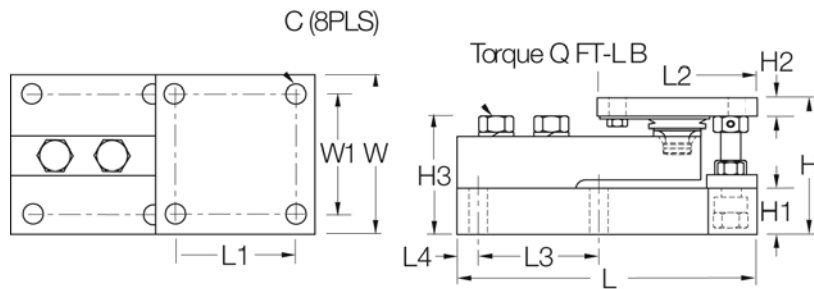
- One JB4SS NEMA Type 4X stainless steel signal trim junction box
- One fixed-pin module, one side-stop module, and one or two free-sliding assemblies. Each module is complete with a Flintec® SB5 NTEP Certified 1:5000 d, Class III, stainless steel environmentally protected load cell.
- 7,6m of our hostile environment EL147HE SURVIVOR® load cell cable

**Load Cell Certifications**

Available



APPROVED

**Dimensions**

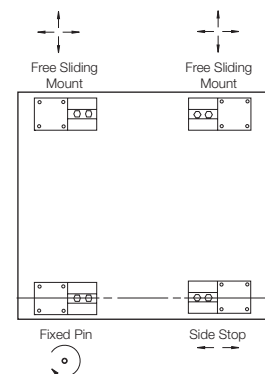
Rated Capacity	C	H	H1	*H2	**H2	H3	L	L1	L2	L3	L4	W	W1	Q (FT-LB)
<b>kg/mm</b>														
510,8 - 2.041,0 kg	11,1	90,9	31,8	12,7	19,1	77,7	190,8	76,2	101,6	76,2	12,7	101,6	76,2	—
5.107,5 kg	14,3	118,4	38,1	15,7	25,4	103,9	233,4	98,3	127,0	98,3	14,2	127,0	98,3	—
10.215,0 kg	17,5	162,8	50,8	19,1	31,8	145,5	291,1	120,7	152,4	120,7	17,5	152,4	120,7	—

**Order Information**

Load Rating (Per Module)	Part#	Price
<b>3-Module Kits</b>		
510,8 kg	<b>33683</b>	€2.309,00
1.021,5 kg	<b>33682</b>	€2.309,00
2.041,2 kg	<b>33681</b>	€2.309,00
5.107,5 kg	<b>33680</b>	€2.659,00
10.205,8 kg	<b>33679</b>	€4.223,00
<b>4-Module Kits</b>		
510,8 kg	<b>33678</b>	€3.078,00
1.021,5 kg	<b>33677</b>	€3.078,00
2.041,2 kg	<b>33676</b>	€3.078,00
5.107,5 kg	<b>33675</b>	€3.919,00
10.205,8 kg	<b>33674</b>	€5.202,00

\* Side-stop and free-sliding units

\*\* Fixed-pin units

**VESSEL ARRANGEMENT**

When arranged as illustrated, the vessel is fixed at one corner but is able to slide freely as indicated. This ensures that there is minimal side loading on the cells and at the same time the vessel is self-checking. The unique, patented blind load hole technology used in these mounts introduces the load at the neutral axis of the load cell which helps minimize the effects of side loads.

## RL9000TWM Series

Tank, Hopper and Vessel Weighing Assembly

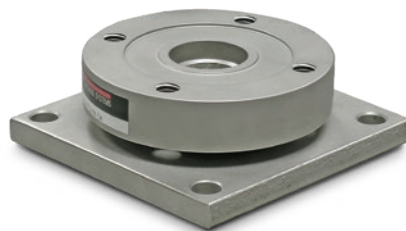


Picture is a representation of actual product

The RL9000TWM Series stainless steel weigh module is ideal for use in tank, hopper, vessel and many other applications. The low-profile design offers an economical solution in a competitive marketplace. This rugged, high-precision mount is designed for easy installation and does not require check rods or other stabilizing hardware. The stainless steel construction and welded seal offer additional protection in washdown areas.

### Load Cell Specifications

- Full Scale Output:**  
3,0 (± 0,1%) mV/V
- Bridge Resistance:**  
350 ohms
- Material/Finish:**  
Stainless steel
- Safe Overload:**  
150% full scale
- Rated Excitation:**  
5-10VDC
- Operating Temperature:**  
-18° C to 66° C
- Insulation Resistance:**  
5.000 megohms
- Non-linearity:**  
1 k-100 k 0,05% FS  
150 k-450 k 0,1% FS
- Non-repeatability:**  
1 k-100 k 0,02% FS  
150 k-450 k 0,03% FS
- Seal Type:**  
Welded-seal IP67
- Cable Length:**  
7,6m
- Cable Color Code:**  
Green .....+ Excitation  
Black.....- Excitation  
White .....+ Signal  
Red .....- Signal
- Warranty:**  
Two-year limited warranty



Assembly with integral  
RL9000TWM compression disk load cell.

### Standard Features

- Capacities: 454 kg-204.116,6 kg
- Very low profile design
- 3,0 mV/V output
- Self-centering
- Self-checking assembly
- Offers 100% sideload, 100% uplift and 150% static safe load and 300% ultimate static overload protection
- Stainless steel construction
- Welded seal
- Weighs accurately with as much as a 3° non-parallel load
- Includes 7,6 m load cell cable

### Applications

- Tank, hopper or vessel weighing

### Optional Features

- Stainless steel top plates (68.038.9 kg-204.116,6 kg have mild steel painted base plate)

### Complete Kit Includes

- One JB4SS NEMA Type 4X stainless steel signal trim junction box
- Three or four stainless steel mounting assemblies
- 7,6 m of our hostile environment EL147HE SURVIVOR® load cell cable

### Load Cell Certifications



**RL9000TWM Series**

Tank, Hopper and Vessel Weighing Assembly

**Order information**

Load Rating (Per Module)	Part #	Price
<b>Single Module</b>		
1,000 lb	84353	€618,00
2,500 lb	84354	€618,00
5,000 lb	84355	€618,00
10,000 lb	84356	€618,00
15,000 lb	84357	€618,00
20,000 lb	84358	€1.202,00
25,000 lb	84359	€1.202,00
35,000 lb	84360	€1.202,00
50,000 lb	84361	€1.202,00
60,000 lb	84362	€2.057,00
75,000 lb	84363	€2.057,00
100,000 lb	84364	€2.057,00
150,000 lb	84365	€4.261,00
200,000 lb	84366	€4.261,00
250,000 lb	84368	€6.285,00
300,000 lb	84369	€6.285,00
400,000 lb	84370	€6.285,00
450,000 lb	84371	€6.285,00
<b>3-Module Kit</b>		
1,000 lb	98974	€2.067,00
2,500 lb	98980	€2.067,00
5,000 lb	98981	€2.067,00
10,000 lb	98982	€2.067,00
15,000 lb	98983	€2.067,00
20,000 lb	98984	€3.819,00
25,000 lb	98985	€3.819,00
35,000 lb	98986	€3.819,00
50,000 lb	98987	€3.819,00
60,000 lb	98988	€6.327,00
75,000 lb	98989	€6.327,00
100,000 lb	98990	€6.327,00
150,000 lb	98991	€12.911,00
200,000 lb	98992	€12.911,00
250,000 lb	98993	€19.010,00
300,000 lb	98994	€19.010,00
400,000 lb	98995	€19.010,00
450,000 lb	98996	€19.010,00
<b>4-Module Kit</b>		
1,000 lb	98997	€2.594,00
2,500 lb	98998	€2.594,00
5,000 lb	98999	€2.594,00
10,000 lb	99000	€2.594,00
15,000 lb	99001	€2.594,00
20,000 lb	99002	€4.931,00
25,000 lb	99003	€4.931,00
35,000 lb	99004	€4.931,00
50,000 lb	99005	€4.931,00
60,000 lb	99006	€8.313,00
75,000 lb	99007	€8.313,00
100,000 lb	99008	€8.313,00
150,000 lb	99009	€17.077,00
200,000 lb	99010	€17.077,00
250,000 lb	99011	€25.185,00
300,000 lb	99012	€25.185,00
400,000 lb	99013	€25.185,00
450,000 lb	99014	€25.185,00

Load Rating (Per Module)	Part #	Price
<b>Top Plates (Stainless Steel) with bolts</b>		
1,000 lb - 15,000 lb	91207	€119,00
20,000 lb - 50,000 lb	91210	€271,00
60,000 lb - 100,000 lb	91211	€442,00
150,000 lb - 200,000 lb	91213	€703,00
250,000 lb - 450,000 lb	91215	€1.625,00
<b>Top Plates (Mild Steel) with bolts</b>		
1,000 lb - 15,000 lb	124758	€57,00
20,000 lb - 50,000 lb	125141	€110,00
60,000 lb - 100,000 lb	124759	€157,00
150,000 lb - 200,000 lb	124760	€249,00
250,000 lb - 450,000 lb	124761	€369,00
<b>Dummy Weigh Modules (non-functioning)</b>		
1,000 lb - 10,000 lb	158749	€95,00
15,000 lb	158750	€124,00
20,000 lb - 50,000 lb	158752	€138,00
60,000 lb - 100,000 lb	158753	€152,00
150,000 lb - 200,000 lb	158754	€390,00
250,000 lb - 450,000 lb	158755	€414,00

150,000 lb - 450,000 lb have mild steel painted base plates

**Order information**

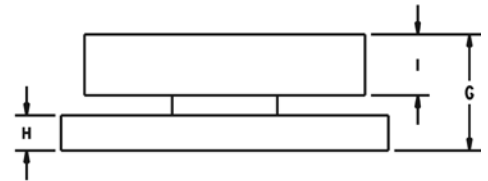
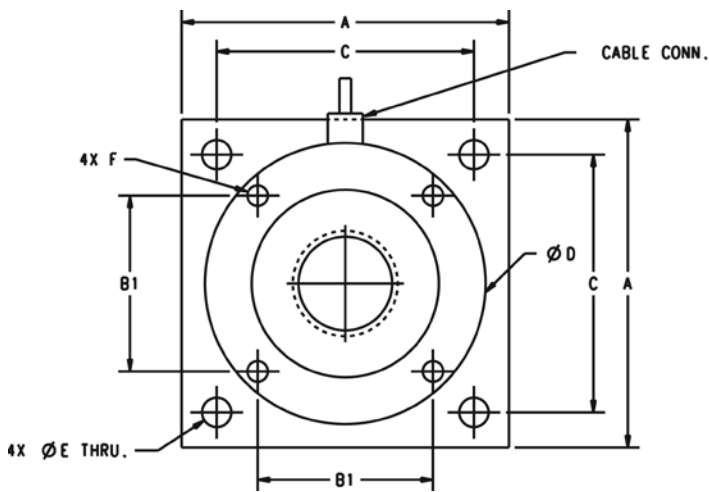
Capacity	Thickness	Material	Part #	Price
<b>Shims</b>				
1,000 lb - 15,000 lb	0.0625	SST	167001	€2,40
1,000 lb - 15,000 lb	0.125	SST	167002	€3,60
1,000 lb - 15,000 lb	0.250	SST	167003	€11,00
1,000 lb - 15,000 lb	0.0625	MS	167004	€1,90
1,000 lb - 15,000 lb	0.125	MS	167005	€2,40
1,000 lb - 15,000 lb	0.250	MS	167006	€2,90
20,000 lb - 50,000 lb	0.0625	SST	167008	€4,20
20,000 lb - 50,000 lb	0.125	SST	167009	€6,00
20,000 lb - 50,000 lb	0.250	SST	167010	€13,00
20,000 lb - 50,000 lb	0.0625	MS	167011	€2,80
20,000 lb - 50,000 lb	0.125	MS	167012	€2,50
20,000 lb - 50,000 lb	0.250	MS	167013	€3,60
60,000 lb - 100,000 lb	0.0625	SST	167014	€4,80
60,000 lb - 100,000 lb	0.125	SST	167015	€16,00
60,000 lb - 100,000 lb	0.250	SST	167016	€26,00
150,000 lb - 200,000 lb	0.0625	SST	167020	€9,10
150,000 lb - 200,000 lb	0.125	SST	167021	€15,00
150,000 lb - 200,000 lb	0.250	SST	167022	€35,00
250,000 lb - 450,000 lb	0.0625	SST	167026	€16,00
250,000 lb - 450,000 lb	0.125	SST	167027	€19,00
250,000 lb - 450,000 lb	0.250	SST	167028	€65,00

SST Stainless steel MS Mild steel

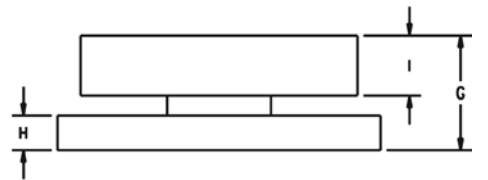
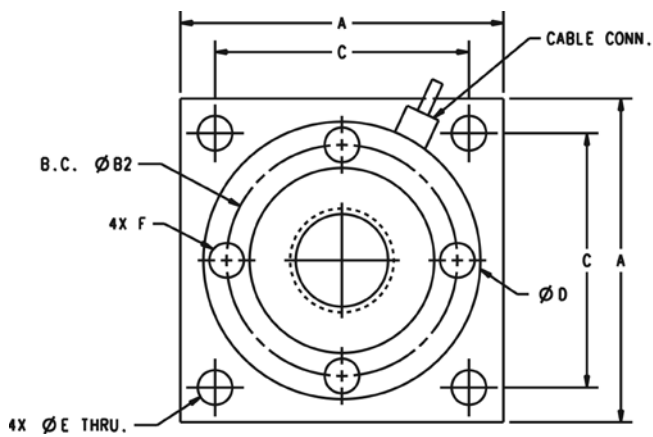
\*Shims match dimensions of base plate and optional top plate

**RL9000TWM Series**

Tank, Hopper and Vessel Weighing Assembly

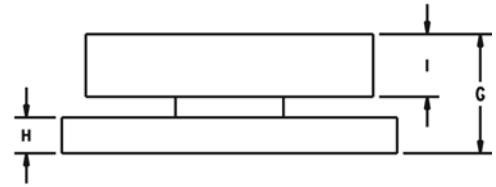
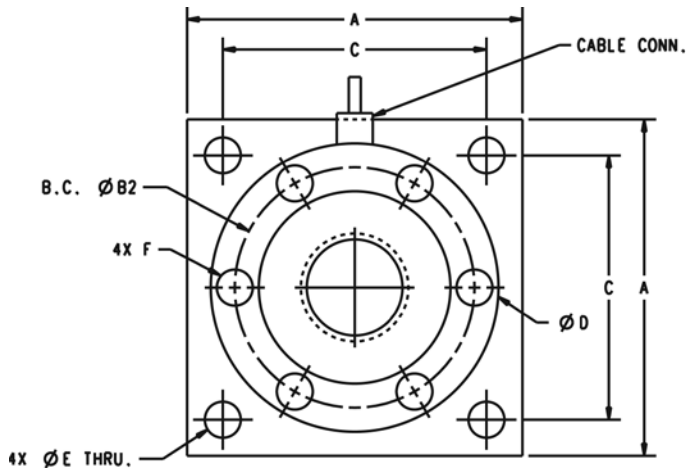
**Dimensions (mm)**

Rated Capacity	A	B1	C	D	E	F	G	H	I	Conduit Adapter
453,6 - 4.535,9 kg	101,6	50,8	82,6	88,9	10,2	3/8-16 UNC	34,3	9,5	19,1	N/A
6.803,9 kg	101,6	50,8	82,6	88,9	10,2	3/8-16 UNC	40,6	15,9	19,1	N/A
9.071,8 - 22.679,6 kg	177,8	95,3	140	152,4	16	1/2-13 UNC	63	19,1	33	1/2-14 NPT
27.215,5 - 45.359,2 kg	203,2	108	165,1	177,8	20,1	3/4-16 UNF	63,5	25,4	33	1/2-14 NPT

**Dimensions (mm)**

Rated Capacity	A	B2	C	D	E	F	G	H	I	Conduit Adapter
68.038,9 - 90.718,5 kg	254	199	203,2	228,6	27,9	1-14 UNF	120,7	50,8	43,2	1/2-14 NPT

WEIGH MODULES WITH LOAD CELLS  
**RL9000TWM Series**  
 Tank, Hopper and Vessel Weighing Assembly

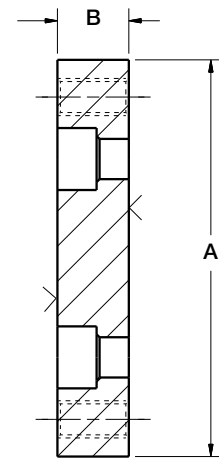
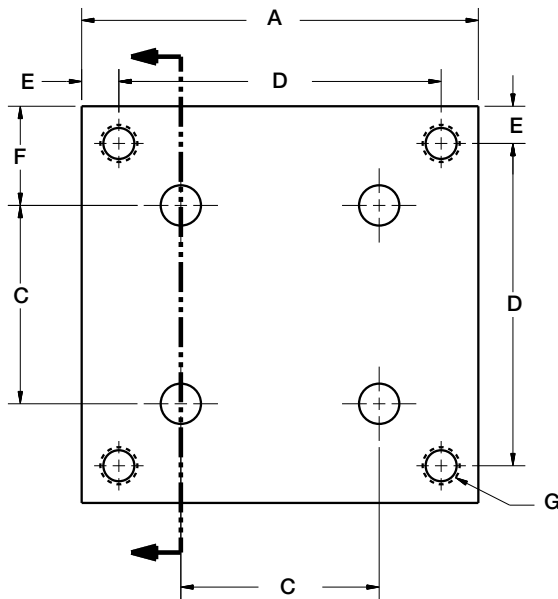


LOAD CELLS

**Dimensions**

Rated Capacity	A	B2	C	D	E	F	G	H	I	Conduit Adapter
113,398 - 204.116,6kg	279,4	196,9	228,6	228,6	33	7/8-14 UNF	163,1	76,2	57,2	4/2-14 NPT

**Optional Top Plates**



**Dimensions**

Rated Capacity	A	B	C	D	E	F	G
kg/mm							
453,6 - 6.803,9kg	101,6	18,3	50,8	82,6	9,7	25,4	3/8-16 UNC
9.071,8 - 22.679,6kg	177,8	24,6	95,3	140	19,1	41,1	5/8-11 UNC
27.215,5 - 45.359,2kg	203,2	37,1	108	165,1	19,1	47,8	3/4-16 UNF
68.038,9 - 90.718,5kg	254	49,3	140,5	203,2	25,4	57,2	1-14 UNS
113.398,1 - 204.116,6kg	279,4	74,7	196,9 B.C.	228,6	25,4	25,4	1-1/4-12 UNF

www.ricelake.com/global | Phone: +31 (0) 26 472 1319

**RICE LAKE**

## RL9000TWM-HT

Tank, Hopper and Vessel Weigh Module



Picture is a representation of actual product

The RL9000TWM-HT is the latest addition to the popular RL9000TWM Series weigh module. The RL9000TWM-HT is a high temperature version that is designed to operate in temperatures up to 204°C.

The integral 7,6m of FEP cable complements the RL9000TWM-HT weigh module.

### Load Cell Specifications

**Full Scale Output:**

3,0(± 0,1%) mV/V

**Bridge Resistance:**

700 ohms

**Material/Finish:**

Stainless steel

**Safe Overload:**

150% full scale

**Rated Excitation:**

5-10VDC

**Operating Temperature:**

-18° C to 204° C

**Insulation Resistance:**

5.000 megohms

**Non-linearity:**

0,05% FS

**Non-repeatability:**

0,02% FS

**Seal Type:**

Welded-seal IP67

**Cable Length:**

7,6m FEP jacket

**Cable Color Code:**

Green .....+ Excitation

Black.....- Excitation

White .....+ Signal

Red .....- Signal

**Warranty:**

Two-year limited warranty

### Standard Features

- Capacities: 453,6 kg-22.679,6 kg
- Very low profile design
- 3,0 mV/V output
- Self-centering
- Self-checking assembly
- Offers 100% side load, 100% uplift and 150% safe load and 300% ultimate overload protection
- Stainless steel construction
- Welded-seal
- Weighs accurately with as much as a 3° on-parallel load
- Complete with 7,6 m FEP cable

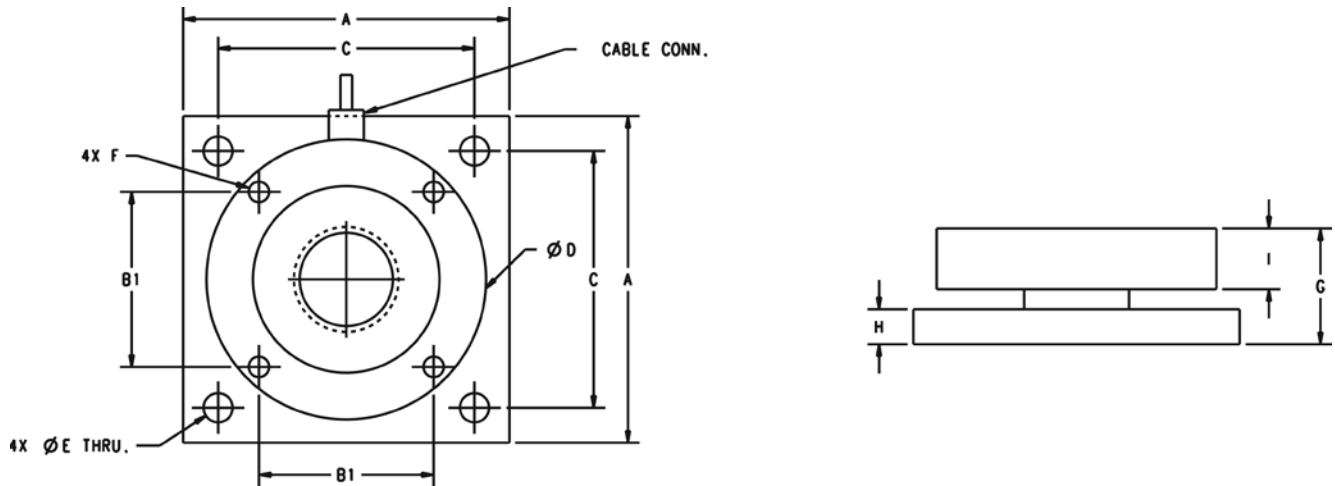
### Optional Features

- Stainless steel top plates
- Higher capacities available upon request

### Applications

- Tank, hopper, or vessel weighing
- High temperature applications

WEIGH MODULES WITH LOAD CELLS  
**RL9000TWM-HT**  
 Tank, Hopper and Vessel Weigh Module



LOAD CELLS

**Dimensions**

Rated Capacity kg/mm	A	B1	C	D	E	F	G	H	I	Conduit Adapter
453,6 - 4.535,9 kg	101,6	50,8	83,6	88,9	10,2	3/8-16 UNC	34,3	9,5	19,1	—
6.803,9 kg	101,6	50,8	83,6	88,9	10,2	3/8-16 UNC	40,6	15,9	19,1	—
9071,8 - 22.679,6	177,8	95,3	139,7	152,4	16	1/2-13 UNC	63	19,1	33	1/2-14 NPT

**Order Information**

Load Rating (per module)	Part#	Price
<b>Single Module</b>		
453,6 kg	<b>117050</b>	€993,00
1.134 kg	<b>117051</b>	€993,00
2.268 kg	<b>117052</b>	€993,00
4.535,9 kg	<b>117140</b>	€993,00
6.803,9 kg	<b>117053</b>	€993,00
9071,8 kg	<b>117054</b>	€1.668,00
11.339,8 kg	<b>117055</b>	€1.668,00
15.875,7 kg	<b>117056</b>	€1.668,00
22.679,6 kg	<b>117057</b>	€1.668,00
<b>Top Plates (Stainless Steel) with bolts</b>		
453,6 - 6.803,9 kg	<b>91207</b>	€119,00
9.071,8 - 22.679,6 kg	<b>91210</b>	€271,00
<b>Top Plates (Mild Steel) with bolts</b>		
453,6 - 6.803,9 kg	<b>124758</b>	€57,00
9.071,8 - 22.679,6 kg	<b>125141</b>	€110,00

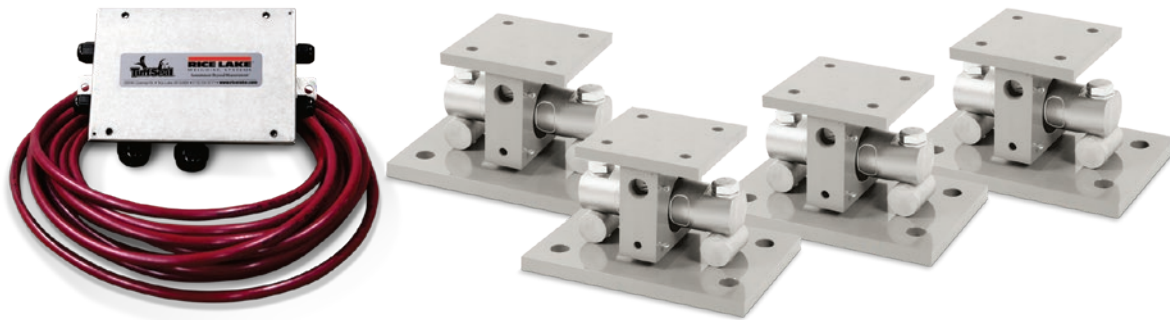
Threads are UN style. Metric is not available.

www.ricelake.com/global | Phone: +31 (0) 26 472 1319

**RICE LAKE**

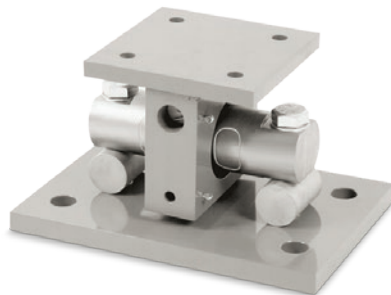
# EZ Mount 1

Mild Steel Weigh Modules



Available in configurations with three or four mounting assemblies.  
Picture is a representation of actual product

The EZ Mount 1 Series weigh modules utilize the double-ended beam design with an articulating top plate to provide superior accuracy in any loading condition. The double-ended beam design means there is less cumbersome hardware and each module has a lower profile than modules of different configurations. NTEP Certified and FM approved RL70000 Series load cells give you accuracy and dependability in many applications, including intrinsically safe and explosion proof areas.



Module with RL70000 double-ended shear beam load cell.

## Standard Features

- Capacities (per module): 2.268 kg-113.398,1 kg
- Unique sliding pin design compensates for thermal expansion/contraction
- Self-checking
- Easy load cell replacement
- Simplified design allows bolting directly to tank and floor
- Center-loaded, double-ended shear beam design
- Low-profile design
- Painted mild steel construction

## Optional Features

- Kits available with VPG® Revere 5103 load cell, capacities in 2.268,0 kg-68.039,0 kg)

## Applications

- Medium- to heavy-capacity tank and hopper weighing applications

## Complete Kit Includes

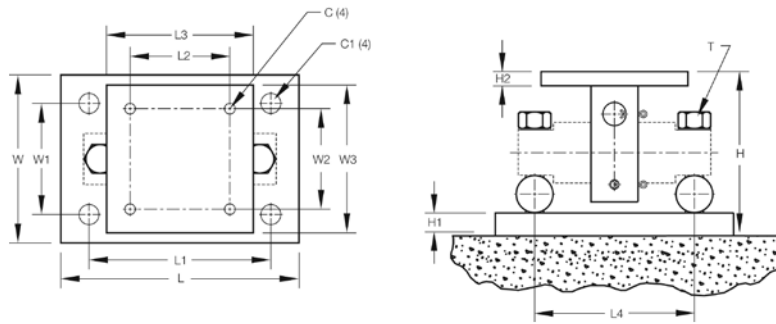
- One JB4SS NEMA Type 4X stainless steel signal trim junction box
- Three or four EZ Mount 1 mild steel compression mounts
- Three or four RL70000 double-ended shear beam load cells
- 7,6 m of our hostile environment EL147HE SURVIVOR® load cell cable

## Load Cell Certifications



# EZ Mount 1

Mild Steel Weigh Modules



## Dimensions

Rated Capacity	C	C1	H	H1	H2	L	L1	L2	L3	L4	T	W	W1	W2	W3
<b>kg/mm</b>															
2.268,0 - 9.071,9 kg	14,2	26,9	134,9	19,1	12,7	279,4	203,2	76,2	152,4	174,5	5/8-18 UNF	190,5	101,6	76,2	152,4
13.607,8 - 27.215,5 kg	17,3	30,2	214,1	25,4	19,1	381,0	292,1	130,0	203,2	215,9	1-14 UNS	254,0	152,4	130,1	203,2
45.359,2 kg	20,6	35,1	263,4	31,8	31,8	457,2	355,6	190,5	254,0	241,3	1-14 UNS	304,8	228,6	190,5	254,0
68.039,0 kg	20,6	35,1	263,4	31,8	31,8	457,2	355,6	190,5	254,0	241,3	1-14 UNS	304,8	228,6	190,5	254,0
90.718,5 - 113.398,1 kg	26,9	47,8	425,5	50,8	50,8	660,4	508,0	228,6	304,8	330,2	1 1/2-12 UNS	304,8	152,4	228,6	304,8

## Order Information

Load Rating (Per Module)	Part #	Price
<b>Single Module (Does NOT Include Load Cell)</b>		
2.268,0 - 9.071,9 kg	<b>17823</b>	€309,00
13.607,8 - 27.215,5 kg	<b>17824</b>	€832,00
45.359,2 kg	<b>17850</b>	€1.145,00
68.039,0 kg	<b>29012</b>	€1.145,00
90.719,0 - 113.398,4 kg	<b>26068</b>	€2.613,00
<b>3-Module Kit</b>		
2.268,0 kg	<b>18163</b>	€2.926,00
4.535,9 kg	<b>18164</b>	€2.926,00
9.071,9 kg	<b>18165</b>	€2.926,00
13.607,8 kg	<b>32164</b>	€4.670,00
18.143,7 kg	<b>32167</b>	€4.670,00
22.679,6 kg	<b>18166</b>	€4.670,00
27.215,5 kg	<b>18167</b>	€4.670,00
45.359,2 kg	<b>18168</b>	€7.558,00
68.040,0 kg	<b>43290</b>	€7.558,00
<b>4-Module Kit</b>		
2.268,0 kg	<b>18169</b>	€3.800,00
4.535,9 kg	<b>18170</b>	€3.800,00
9.071,9 kg	<b>18171</b>	€3.800,00
13.607,8 kg	<b>32165</b>	€5.895,00
18.143,7 kg	<b>32166</b>	€5.895,00
22.679,6 kg	<b>18172</b>	€5.895,00
27.215,5 kg	<b>18173</b>	€5.895,00
45.359,2 kg	<b>18174</b>	€9.819,00
68.040,0 kg	<b>43291</b>	€9.819,00

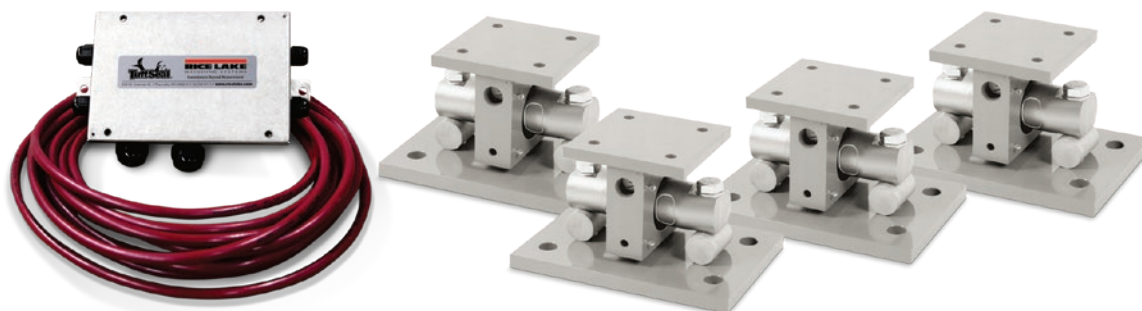
\*Load cell bolts protrude from bottom of base plate 6,35 mm

## VPG Revere® 5103 Mild Steel Order Information

Load Rating (Per Module)	Part #	Price
<b>3-Module Kit</b>		
2.268,0 kg	<b>18175</b>	€3.026,00
4.535,9 kg	<b>18176</b>	€3.026,00
9.071,9 kg	<b>18177</b>	€3.026,00
13.607,8 kg	<b>32169</b>	€4.769,00
18.143,7 kg	<b>32171</b>	€4.769,00
22.679,6 kg	<b>18178</b>	€4.917,00
27.215,5 kg	<b>18179</b>	€4.917,00
45.359,2 kg	<b>18180</b>	€7.657,00
68.039,0 kg	<b>18181</b>	€7.657,00
<b>4-Module Kit</b>		
2.268,0 kg	<b>18182</b>	€3.900,00
4.535,9 kg	<b>18183</b>	€3.900,00
9.071,9 kg	<b>18184</b>	€3.900,00
13.607,8 kg	<b>32170</b>	€6.033,00
18.143,7 kg	<b>32172</b>	€6.033,00
22.679,6 kg	<b>18185</b>	€6.194,00
27.215,5 kg	<b>18186</b>	€6.194,00
45.359,2 kg	<b>18187</b>	€9.975,00
68.039,0 kg	<b>18188</b>	€9.975,00
<b>Dummy Load Cells</b>		
2.268 - 9.071,8 kg	<b>33749</b>	€81,00
13.607,8 - 27.215,5 kg	<b>74016</b>	€110,00
45.359,2 kg	<b>94175</b>	€238,00
68.038,9 kg	<b>158715</b>	€238,00
<b>Grounding Kit</b>		
2.268,0 - 22.679,6 kg, includes ground strap and mounting hardware per mount	<b>126419</b>	€19,00

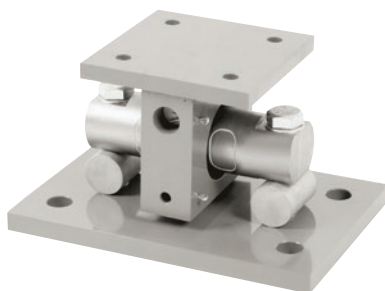
# EZ Mount 1

Stainless Steel Weigh Modules



Available in configurations with three or four mounting assemblies.  
Picture is a representation of actual product

The EZ Mount 1 Series weigh module utilizes the double-ended beam design with an articulating top plate to provide superior accuracy in any loading condition. The double-ended beam design means there is less cumbersome hardware and each module has a lower profile than modules of different configurations. FM approved RL70000 SS Series load cells give you accuracy and dependability in many applications, including intrinsically safe and explosion proof areas.



Module with RL70000 SS double-ended shear beam load cell.

## Standard Features

- Capacities (per module): 2.268 kg-60.039,0 kg
- Unique sliding pin design compensates for thermal expansion/contraction
- Self-checking
- Easy load cell replacement
- Simplified design allows bolting directly to tank and floor
- Center-loaded, double-ended shear beam design
- Low-profile design
- 304 stainless steel construction

## Optional Features

- Kits available with VPG-Revere 9103 load cell, capacities in 2.268,0 - 68.039,0 kg

## Applications

- Medium to heavy-capacity tank and hopper weighing applications

## Complete Kit Includes

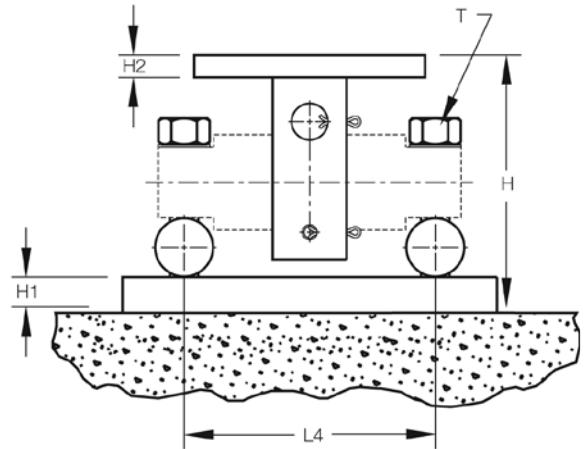
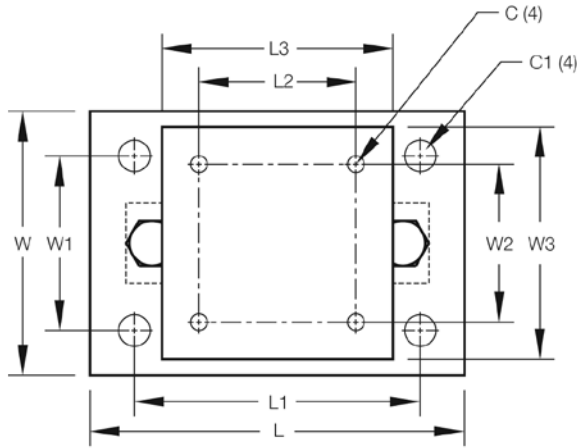
- One JB4SS NEMA Type 4X stainless steel signal trim junction box
- Three or four EZ Mount 1 stainless steel compression mounts
- Three or four RL70000 SS stainless steel double-ended shear beam load cells
- 7,6 m of our hostile environment EL147HE SURVIVOR® load cell cable

## Load Cell Certifications



# EZ Mount 1

Stainless Steel Weigh Modules



## Dimensions

Rated Capacity	C	C1	H	H1	H2	L	L1	L2	L3	L4	T	W	W1	W2	W3
kg/mm															
2.268,0 - 9.071,9 kg	14.2	26.9	134.9	19.1	12.7	279.4	203.2	76.2	152.4	174.5	5/8-18 UNF	190.5	101.6	76.2	152.4
13.607,8 - 27.215,5 kg	17.3	30.2	214.1	25.4	19.1	381.0	292.1	130.0	203.2	215.9	1-14 UNS	254.0	152.4	130.1	203.2
45.359,2 kg	20.6	35.1	263.4	31.8	31.8	457.2	355.6	190.5	254.0	241.3	1-14 UNS	304.8	228.6	190.5	254.0
68.039,0 kg	20.6	35.1	263.4	31.8	31.8	457.2	355.6	190.5	254.0	241.3	1-14 UNS	304.8	228.6	190.5	254.0

## Order Information

Load Rating (Per Module)	Part#	Price
<b>Single Module (Does NOT Include Load Cell)</b>		
2.268,0 - 9.071,9 kg	<b>17943</b>	€759,00
13.607,8 - 27.215,5 kg	<b>17944</b>	€2.090,00
45.359,2 kg	<b>17945</b>	€3.872,00
68.039,0 kg	<b>29011</b>	€3.872,00
<b>3-Module Kit</b>		
2.268,0 kg*	<b>36195</b>	€4.432,00
4.535,9 kg	<b>36196</b>	€4.432,00
9.071,9 kg	<b>36197</b>	€4.432,00
13.607,8 kg	<b>36198</b>	€8.588,00
18.143,7 kg	<b>36199</b>	€8.588,00
22.679,6 kg	<b>36200</b>	€8.688,00
27.215,5 kg	<b>36201</b>	€8.688,00
45.359,2 kg	<b>36202</b>	€13.831,00
68.039,0 kg*	<b>43288</b>	€13.831,00

\*Load cell bolts protrude from bottom of base plate 6,35 mm

## Order Information

Load Rating (Per Module)	Part#	Price
<b>4-Module Kit</b>		
2.268,0 kg	<b>36203</b>	€5.938,00
4.535,9 kg	<b>36204</b>	€5.938,00
9.071,9 kg	<b>36205</b>	€5.938,00
13.607,8 kg	<b>36206</b>	€11.662,00
18.143,7 kg	<b>36207</b>	€11.662,00
22.679,6 kg	<b>36208</b>	€11.935,00
27.215,5 kg	<b>36209</b>	€11.935,00
45.359,2 kg	<b>36210</b>	€18.359,00
68.039,0 kg	<b>43289</b>	€18.359,00
<b>Dummy Load Cells (Mild Steel)</b>		
2.268 - 9.071,8 kg	<b>33749</b>	€81,00
13.607,8 - 27.215,5 kg	<b>74016</b>	€110,00
45.359,2 kg	<b>94175</b>	€238,00
68.038,9 kg	<b>158715</b>	€238,00
<b>Grounding Kit</b>		
2.268 - 27.215,5 kg	<b>126419</b>	€19,00

Includes ground strap and mounting hardware

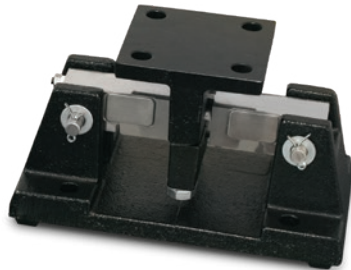
# RL1600 Series

Cast Iron Weigh Modules

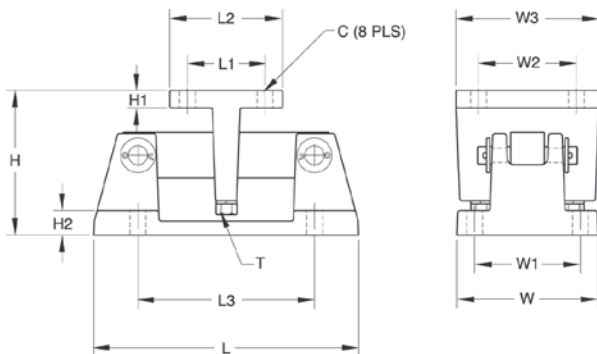


Available in configurations with three or four mounting assemblies.  
Picture is a representation of actual product

The RL1600 Series mounting module kit utilizes several Rice Lake Weighing Systems components to provide an unmatched level of performance in tank and hopper weighing applications. The RL1600 Series kit is ideally suited for indoor and outdoor process control operations in the medium- to high-capacity ranges. Each module incorporates self-checking capabilities for thermal expansion and contraction.



Cast iron module with RL75016 double-ended beam load cell.



## Dimensions

Rated Capacity kg/mm	C	H	H1	H2	L	L1	L2	L3	T	W	W1	W2	W3
453,6 - 2.268,0 kg	14,2	127,0	12,7	12,7	236,5	69,9	101,6	158,8	1/2-13UNC	127,0	95,3	69,9	101,6
4.535,9 - 11.339,8 kg	19,8	200,4	19,1	19,1	304,8	152,4	203,2	190,5	3/4-10UNC	203,2	152,4	152,4	203,2

## Standard Features

- Capacities (per module): 453,6kg-11.339,8kg
- Cast iron construction
- Self-checking, easy-to-use design allows module to be bolted directly to tank leg without requiring additional mounting plates or load buttons
- Environmentally protected load cells
- Double-ended beam design, center loaded

## Optional Features

- Kits available with VPG® Sensortronics 65016 load cells, capacities (per module): 453,6 - 11.339,8kg

## Applications

- Medium- to heavy-capacity tanks, bins and hoppers
- Bulk material management

## Complete Kit Includes

- One JB4SS NEMA Type 4X stainless steel signal trim junction box
- Three or four RL1600 cast iron compression mounts
- Three or four RL75016 double-ended shear beam load cells
- 7,6m of our hostile environment EL147HE SURVIVOR® load cell cable

## Load Cell Certifications



## Order Information

Load Rating (Per Module)	Part#	Price
<b>Single Module (Does NOT Include Load Cell)</b>		
453,6 - 2.268,0 kg	<b>17964</b>	€157,00
4.535,9 - 11.339,8 kg	<b>17965</b>	€304,00
<b>3-Module Kit</b>		
453,6 kg	<b>25663</b>	€2.024,00
680,4 kg	<b>25664</b>	€2.024,00
907,2 kg	<b>25665</b>	€2.024,00
1.134,0 kg	<b>25666</b>	€2.024,00
1.360,8 kg	<b>25667</b>	€2.024,00
2.268,0 kg	<b>25668</b>	€2.024,00
4.535,9 kg	<b>25669</b>	€2.646,00
6.803,9 kg	<b>25671</b>	€2.646,00
9.071,9 kg	<b>25672</b>	€2.646,00
11.339,8 kg	<b>25674</b>	€2.646,00
<b>4-Module Kit</b>		
453,6 kg	<b>25675</b>	€2.589,00
680,4 kg	<b>25676</b>	€2.589,00
907,2 kg	<b>25677</b>	€2.589,00
1.134,0 kg	<b>25678</b>	€2.589,00
1.360,8 kg	<b>25679</b>	€2.589,00
2.268,0 kg	<b>25680</b>	€2.589,00
4.535,9 kg	<b>25681</b>	€3.416,00
6.803,9 kg	<b>25682</b>	€3.416,00
9.071,9 kg	<b>25683</b>	€3.416,00
11.339,8 kg	<b>25684</b>	€3.416,00

## Load Cell Upgrade

<b>RL75016SS Stainless Steel Load Cells</b>	
Three mount kits, 453,6 kg to 11.339,8 kg \$ added to list price	
Four mount kits, 453,6 kg to 11.339,8 kg \$ added to list price	
<b>RL75016WHE Stainless Steel Hermetic Load Cells</b>	
Three mount kits 453,6 kg to 2.268 kg, 10 k-11.339,8 kg \$ added to list price	
Four mount kits 453,6 kg to 2.268 kg, 10 k-11.339,8 kg \$ added to list price	
<i>Contact factory for a 22.679,6 kg to 34.019,4 kg upgrade</i>	

## VPG Sensortronics 65016 Order Information

Load Rating (Per Module)	Part#	Price
<b>3-Module Kit</b>		
453,6 kg	<b>25685</b>	€2.380,00
680,4 kg	<b>25686</b>	€2.380,00
1.134,0 kg	<b>25688</b>	€2.380,00
2.268,0 kg	<b>25690</b>	€2.380,00
4.535,9 kg	<b>25691</b>	€3.002,00
6.803,9 kg	<b>25692</b>	€3.002,00
9.071,9 kg	<b>25693</b>	€3.002,00
11.339,8 kg	<b>25694</b>	€3.002,00
<b>4-Module Kit</b>		
453,6 kg	<b>25695</b>	€3.088,00
680,4 kg	<b>25696</b>	€3.088,00
1.134,0 kg	<b>25698</b>	€3.088,00
2.268,0 kg	<b>25700</b>	€3.088,00
4.535,9 kg	<b>25701</b>	€3.943,00
6.803,9 kg	<b>25702</b>	€3.943,00
9.071,9 kg	<b>25703</b>	€3.943,00
11.339,8 kg	<b>25704</b>	€3.943,00
<b>Dummy Load Cells</b>		
453,6 - 2.268,0 kg	<b>18236</b>	€24,00
4.535,9 - 11.339,8 kg	<b>18237</b>	€38,00

## Shims, Mild Steel

	Part #	Price
<b>453,6 - 2.268 kg</b>		
1,6	<b>150844</b>	€1,50
3,2	<b>150845</b>	€1,90
6,4	<b>150846</b>	€2,10
<b>4.535,9 - 11.339,8 kg</b>		
1,6	<b>150847</b>	€3,80
3,2	<b>150848</b>	€6,20
6,4	<b>150849</b>	€6,70

# RL1600 Series

Mild Steel Weigh Modules

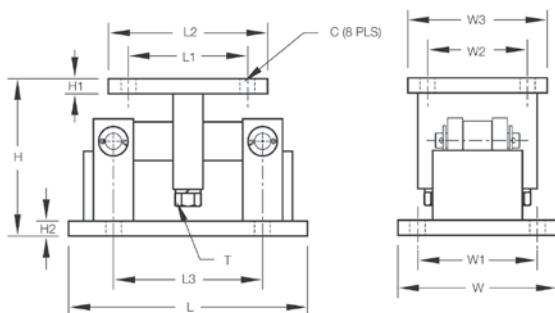


Available in configurations with three or four mounting assemblies.  
Picture is a representation of actual product

The RL1600 Series mounting module kit utilizes several Rice Lake Weighing Systems components to provide an unmatched level of performance in tank and hopper weighing applications. The RL1600 Series kit is ideally suited for indoor and outdoor process control operations in the medium- to high-capacity ranges. Each module incorporates self-checking capabilities for thermal expansion and contraction.



Mild steel module with RL75016 double-ended beam load cell.



## Dimensions

Rated Capacity kg/mm	C	H	H1	H2	L	L1	L2	L3	T	W	W1	W2	W3
453,6 - 2.268,0 kg	14,2	127,0	12,7	12,7	235,0	69,9	101,6	158,8	1/2-13 UNC	127,0	95,3	69,9	101,6
4.535,9 - 11.339,8 kg	19,8	199,9	19,1	19,1	304,8	152,4	203,2	190,5	3/4-10 UNC	203,2	152,4	152,4	203,2
22.679,7 - 34.019,5 kg	19,8	234,9	25,4	25,4	412,8	165,1	228,6	292,1	1 1/4-7 UNC	304,8	241,3	165,1	228,6

## Standard Features

- Capacities (per module): 453,6 - 34.019,5 kg
- Self-checking, easy-to-use design allows module to be bolted directly to tank leg without requiring additional mounting plates or load buttons
- Environmentally protected load cells
- Double-ended shear beam design, center loaded
- Painted mild steel construction

## Optional Features

- Kits available with VPG® Sensortronics 65016 load cells, capacities (per module): 453,6 - 34.019,5 kg

## Applications

- Medium- to heavy-capacity tanks, bins and hoppers
- Bulk material management

## Complete Kit Includes

- One JB4SS NEMA Type 4X stainless steel signal trim junction box
- Three or four RL1600 mild steel compression mounts
- Three or four RL75016 double-ended shear beam load cells
- 7,6 m of our hostile environment EL147HE SURVIVOR® load cell cable

## Load Cell Certifications



## RL1600 Series

Mild Steel Weigh Modules

### Order Information

Load Rating (Per Module)	Part #	Price
<b>Single Module (Does NOT Include Load Cell)</b>		
453,6 - 2.268,0 kg	<b>17812</b>	€157,00
4.535,9 - 11.339,8 kg	<b>17814</b>	€304,00
22.679,6 kg	<b>17816</b>	€1.022,00
34.019,5 kg	<b>25346</b>	€1.022,00
<b>3-Module Kit</b>		
453,6 kg	<b>18117</b>	€2.024,00
680,4 kg	<b>18118</b>	€2.024,00
907,2 kg	<b>18119</b>	€2.024,00
1.134,0 kg	<b>18120</b>	€2.024,00
1.360,8 kg	<b>18121</b>	€2.024,00
2.268,0 kg	<b>18122</b>	€2.024,00
4.535,9 kg	<b>18123</b>	€2.646,00
6.803,9 kg	<b>18124</b>	€2.646,00
9.071,9 kg	<b>18125</b>	€2.646,00
11.339,8 kg	<b>18126</b>	€2.646,00
22.679,6 kg	<b>18127</b>	€5.501,00
34.019,5 kg	<b>25348</b>	€5.501,00
<b>4-Module Kit</b>		
453,6 kg	<b>18129</b>	€2.589,00
680,4 kg	<b>18130</b>	€2.589,00
907,2 kg	<b>18131</b>	€2.589,00
1.134,0 kg	<b>18132</b>	€2.589,00
1.360,8 kg	<b>18133</b>	€2.589,00
2.268,0 kg	<b>18134</b>	€2.589,00
4.535,9 kg	<b>18135</b>	€3.416,00
6.803,9 kg	<b>18136</b>	€3.416,00
9.071,9 kg	<b>18137</b>	€3.416,00
11.339,8 kg	<b>18138</b>	€3.416,00
22.679,6 kg	<b>18139</b>	€7.349,00
34.019,5 kg	<b>25349</b>	€7.349,00

### VPG Sensortronics 65016 Order Information

Load Rating (Per Module)	Part #	Price
<b>3-Module Kit</b>		
453,6 kg	<b>18189</b>	€2.380,00
680,4 kg	<b>18190</b>	€2.380,00
1.134,0 kg	<b>18192</b>	€2.380,00
2.268,0 kg	<b>18194</b>	€2.380,00
4.535,9 kg	<b>18195</b>	€3.002,00
6.803,9 kg	<b>18196</b>	€3.002,00
9.071,9 kg	<b>18197</b>	€3.002,00
11.339,8 kg	<b>18198</b>	€3.002,00
22.679,6 kg	<b>18199</b>	€5.946,00
34.019,5 kg	<b>25350</b>	€5.946,00
<b>4-Module Kit</b>		
453,6 kg	<b>18201</b>	€3.088,00
680,4 kg	<b>18202</b>	€3.088,00
1.134,0 kg	<b>18204</b>	€3.088,00
2.268,0 kg	<b>18206</b>	€3.088,00
4.535,9 kg	<b>18207</b>	€3.943,00
6.803,9 kg	<b>18208</b>	€3.943,00
9.071,9 kg	<b>18209</b>	€3.943,00
11.339,8 kg	<b>18210</b>	€3.943,00
22.679,6 kg	<b>18211</b>	€7.790,00
34.019,5 kg	<b>25351</b>	€7.790,00
<b>Dummy Load Cells</b>		
453,6 - 2.268,0 kg	<b>18236</b>	€24,00
4.535,9 - 11.339,8 kg	<b>18237</b>	€38,00
22.679,6 kg	<b>18238</b>	€51,00

### Shims, Mild Steel

	Part #	Price
<b>453,6 - 2.268 kg</b>		
1,6	<b>150844</b>	€1,50
3,2	<b>150845</b>	€1,90
6,4	<b>150846</b>	€2,10
<b>4.535,9 - 11.339,8 kg</b>		
1,6	<b>150847</b>	€3,80
3,2	<b>150848</b>	€6,20
6,4	<b>150849</b>	€6,70
<b>22.679,6 - 34.019,4 kg</b>		
1,6	<b>150850</b>	€4,80
3,2	<b>150851</b>	€7,60
6,4	<b>150866</b>	€6,20

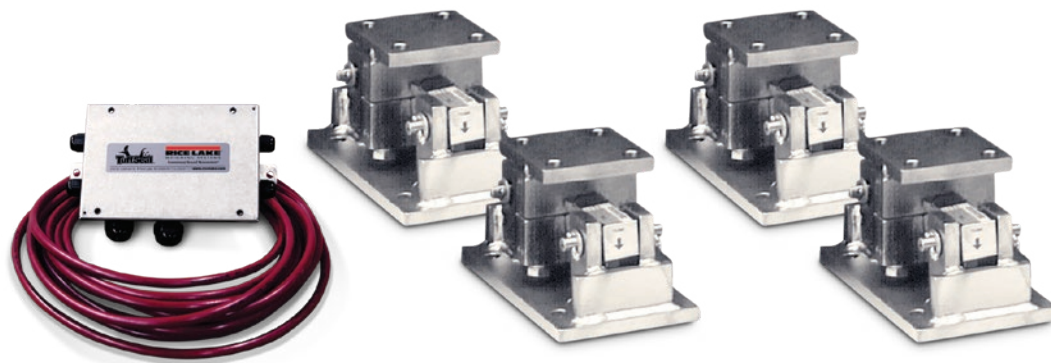
### Load Cell Upgrade

<b>RL75016SS Stainless Steel Load Cells</b>	
Three mount kits, 453,6 kg to 11.339,8 kg \$ added to list price	
Four mount kits, 453,6 kg to 11.339,8 kg \$ added to list price	
<b>RL75016WHE Stainless Steel Hermetic Load Cells</b>	
Three mount kits 453,6 kg to 2.268 kg, 10k-11.339,8 kg \$ added to list price	
Four mount kits 453,6 kg to 2.268 kg, 10k-11.339,8 kg \$ added to list price	

Contact factory for a 22.679,6 kg to 34.019,4 kg upgrade

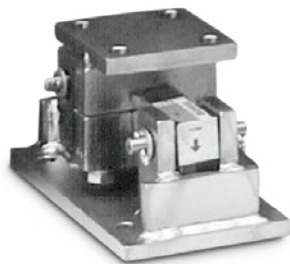
# RL1600 Series

Stainless Steel Weigh Modules

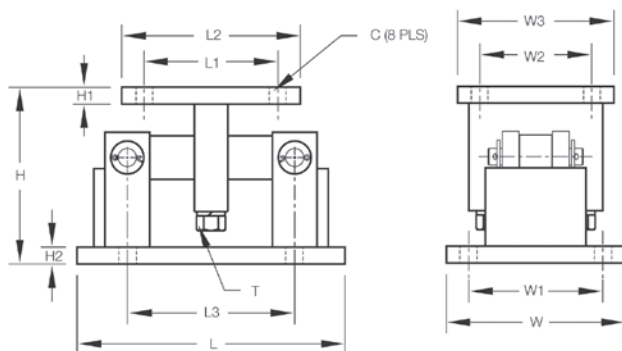


Available in configurations with three or four mounting assemblies.  
Picture is a representation of actual product

The RL1600 Series mounting module kit utilizes several Rice Lake Weighing Systems components to provide an unmatched level of performance in tank and hopper weighing applications. The RL1600 Series kit is ideally suited for indoor and outdoor process control operations in the medium-to high-capacity ranges. Each module incorporates self-checking capabilities for thermal expansion and contraction.



Fabricated stainless steel module with RL75016 SS double-ended beam load cell.



## Dimensions

Rated Capacity	C	H	H1	H2	L	L1	L2	L3	T	W	W1	W2	W3
kg/mm													
453,6 - 2.268,0 kg	14,2	127,0	12,7	12,7	235,0	69,9	101,6	158,8	1/2-13 UNC	127,0	95,3	69,9	101,6
4.535,9 - 11.339,8 kg	19,8	199,9	19,1	19,1	304,8	152,4	203,2	190,5	3/4-10 UNC	203,2	152,4	152,4	203,2
22.679,7 - 34.019,5 kg	19,8	234,9	25,4	25,4	412,8	165,1	228,6	292,1	1 1/4-7 UNC	304,8	241,3	165,1	228,6

## Standard Features

- Capacities (per module): 453,6 kg-34.019,5 kg
- 304 stainless steel construction
- Self-checking, easy-to-use design allows module to be bolted directly to tank leg without requiring additional mounting plates or load buttons
- Environmentally protected load cells
- Double-ended shear beam design, center loaded

## Optional Features

- Kits available with VPG Sensortronics 65016W SS load cells

## Applications

- Medium-to heavy-capacity tanks, bins, and hoppers
- Bulk material management

## Complete Kit Includes

- One JB4SS NEMA Type 4X stainless steel signal trim junction box
- Three or four RL1600 stainless steel compression mounts
- Three or four RL75016 SS stainless steel double-ended shear beam load cells
- 7,6 m of our hostile environment EL147HE SURVIVOR® load cell cable

## Load Cell Certifications



## Order Information

Load Rating (Per Module)	Part #	Price
<b>Single Module (Does NOT Include Load Cell)</b>		
453,6 - 2.268,0 kg	<b>17813</b>	€589,00
4.535,9 - 11.339,8 kg	<b>17815</b>	€1.150,00
22.679,6 kg	<b>17842</b>	€2.717,00
34.019,5 kg	<b>25347</b>	€2.717,00
<b>3-Module Kit</b>		
453,6 kg	<b>18141</b>	€3.349,00
680,4 kg	<b>18142</b>	€3.349,00
907,2 kg	<b>18143</b>	€3.349,00
1.134,0 kg	<b>18144</b>	€3.349,00
2.268,0 kg	<b>18145</b>	€3.349,00
4.535,9 kg	<b>18146</b>	€5.059,00
6.803,9 kg	<b>18147</b>	€5.059,00
9.071,9 kg	<b>18148</b>	€5.059,00
11.339,8 kg	<b>18149</b>	€5.059,00
22.679,6 kg	<b>18150</b>	€11.472,00
34.019,5 kg	<b>25352</b>	€11.472,00
<b>4-Module Kit</b>		
453,6 kg	<b>18152</b>	€4.370,00
680,4 kg	<b>18153</b>	€4.370,00
907,2 kg	<b>18154</b>	€4.370,00
1.134,0 kg	<b>18155</b>	€4.370,00
2.268,0 kg	<b>18156</b>	€4.370,00
4.535,9 kg	<b>18157</b>	€6.912,00
6.803,9 kg	<b>18158</b>	€6.912,00
9.071,9 kg	<b>18159</b>	€6.912,00
11.339,8 kg	<b>18160</b>	€6.912,00
22.679,6 kg	<b>18161</b>	€15.490,00
34.019,5 kg	<b>25353</b>	€15.490,00

## VPG Sensortronics 65016W Order Information

Load Rating (Per Module)	Part #	Price
<b>3-Module Kit</b>		
453,6 kg	<b>18213</b>	€3.591,00
680,4 kg	<b>18214</b>	€3.591,00
1.134,0 kg	<b>18216</b>	€3.591,00
2.268,0 kg	<b>18217</b>	€3.591,00
4.535,9 kg	<b>18218</b>	€5.463,00
6.803,9 kg	<b>18219</b>	€5.463,00
9.071,9 kg	<b>18220</b>	€5.463,00
11.339,8 kg	<b>18221</b>	€5.463,00
22.679,6 kg	<b>18222</b>	€11.970,00
34.019,5 kg	<b>25354</b>	€11.970,00
<b>4-Module Kit</b>		
453,6 kg	<b>18224</b>	€4.717,00
680,4 kg	<b>18225</b>	€4.717,00
1.134,0 kg	<b>18227</b>	€4.717,00
2.268,0 kg	<b>18228</b>	€4.717,00
4.535,9 kg	<b>18229</b>	€7.211,00
6.803,9 kg	<b>18230</b>	€7.211,00
9.071,9 kg	<b>18231</b>	€7.211,00
11.339,8 kg	<b>18232</b>	€7.211,00
22.679,6 kg	<b>18233</b>	€15.789,00
34.019,5 kg	<b>25355</b>	€15.789,00
<b>Dummy Load Cells (Mild Steel)</b>		
453,6 - 2.268,0 kg	<b>18236</b>	€24,00
4.535,9 - 11.339,8 kg	<b>18237</b>	€38,00
22.679,6 kg	<b>18238</b>	€51,00

## Shims, Stainless

	Part #	Price
<b>453,6 - 2.268 kg</b>		
1,6	<b>150852</b>	€3,80
3,2	<b>150853</b>	€8,80
6,4	<b>150854</b>	€15,00
<b>4.535,9 - 11.339,8 kg</b>		
1,6	<b>150855</b>	€13,00
3,2	<b>150856</b>	€21,00
6,4	<b>150857</b>	€57,00
<b>22.679,6 - 34.019,4 kg</b>		
1,6	<b>150858</b>	€19,00
3,2	<b>150859</b>	€28,00
6,4	<b>150861</b>	€72,00

# Motor Truck Scale Electronic Conversion Kit

Rice Lake Weighing Systems



*Picture is a representation of actual product*

Full electronic performance can be achieved at a fraction of the cost of a new scale and pit. The Motor Truck Scale (MTS) electronic conversion kit is designed to transform an existing scale pit and weighbridge into a fully electronic vehicle scale. Designed for quick installation without removing the platform or reconfiguring the pit, the conversion kit can often be installed in a matter of days, minimizing downtime. This ease of installation is important when considering installations where it is not feasible to completely remove the existing scale.

## Standard Features

- Cost- and time-efficient installation; no need to remove weighbridge
- Converts existing scale capacities of 18.143,7 kg-90.718,7 kg)
- Four, six or eight-mount kits for two, three or four-section conversions
- Translink™ heavy-capacity mounting assemblies
- Free movement in all directions in the horizontal plane with virtually no friction
- Completely self-centering
- Requires no check rods
- Capacity per mount: 11.339,8 - 45.359,4 kg)
- Utilizes cells with 3 mV/V output

## Optional Features

- Custom heights available; consult
- RLWS RL75223 welded-seal, VPG® Sensortronics 65040A or RTI 5223 load cells

## Applications

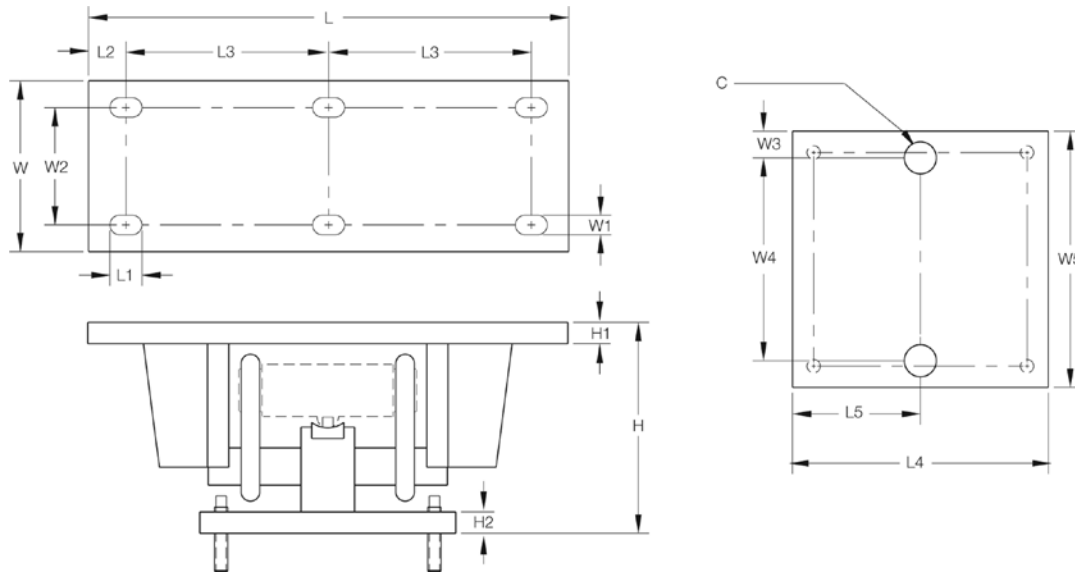
- Updating existing mechanical motor truck scales
- Replacing unsatisfactory electronic motor truck scales
- Conversion of heavy-capacity scales into fully electronic vehicle scales where the existing scale cannot be removed

## Complete Kit Includes

- One JB8SP NEMA Type 4X signal-trim junction box with individual and section trimming capability (six and eight-mount kits) or one JB4SP NEMA Type 4X signal-trim junction box (four-mount kits)
- One UJB3T6 DC transient protector
- Four, six or eight Translink mounting assemblies with RL75040 or RL75223 load cells
- 30,5 m of hostile environment EL147HE SURVIVOR® load cell cable

# Motor Truck Scale Electronic Conversion Kit

Rice Lake Weighing Systems



## Dimensions

Rated Capacity	C	H*	H1	H2	L	L1	L2	L3	L4	L5	W	W1	W2	W3	W4**	W5
22.679,6 - 45.400,00 kg (RL75223)	38,1	328,4	25,4	25,4	571,5	37,5	44,5	241,3	298,5	149,4	196,9	23,1	133,4	31,8	235,0	298,45
11.339,8 - 18.143,7 kg (RL75040A)	38,1	251,0	25,4	25,4	469,9	37,5	44,5	190,5	298,5	149,4	196,9	23,1	133,4	31,8	235,0	298,45
22.679,6 - 34.019,4 kg (RL75040A)	38,1	325,6	25,4	25,4	571,5	37,5	44,5	241,3	298,5	149,4	196,9	23,1	133,4	31,8	235,0	298,45

\*Custom heights available; consult

\*\*Custom hole spacing for existing bolt patterns is available; consult

## Order Information

Scale Suggested Capacity	Load Cell Capacity (Per Module)	Part#	Load Cell Used In Kit	Price
<b>4-Module Kit (Includes Weigh Modules Load Cells, Junction Box, and Transient Protection)</b>				
18,143.7 kg	11,339.8 kg	<b>30513</b>	RL75040A	€5.525,00
27,215.6 kg	18,143.7 kg	<b>30514</b>	RL75040A	€6.000,00
<b>6-Module Kit (Includes Weigh Modules Load Cells, Junction Box and Transient Protection)</b>				
45,359.4 kg	22,679.6 kg	<b>30515</b>	RL75040A	€9.434,00
54,431.2 kg	27,215.6 kg	<b>30516</b>	RL75040A	€9.434,00
<b>8-Module Kit (Includes Weigh Modules Load Cells, Junction Box and Transient Protection)</b>				
54,431.2 kg	27,215.6 kg	<b>30517</b>	RL75040A	€12.170,00
90,718.7 kg	34,019.4 kg	<b>30518</b>	RL75040A	€12.170,00
SD 136,078.1 kg	45,359.4 kg	<b>30512</b>	RL75223	€14.759,00

SD refers to super duty, 45.359,4 kg capacity welded-seal load cells

A large grid of empty cells, likely for data entry or calculations. The grid consists of 20 columns and 30 rows.

# Portable Vehicle Weighing

## TABLE OF CONTENTS

<b>LOAD RANGER</b> .....	<b>314</b>
<i>Wireless Wheel Pad Scale</i>	

### Looking for products?

Please visit [www.ricelake.com/global](http://www.ricelake.com/global) for current product pricing or call our European office at +31 (0) 26 472 1319 to talk to an industry expert about our product offerings and customized solutions.

# Load Ranger

Wireless Wheel Pad Scale



## Standard Features

- Up to six individual pads (three sets) per system, completely wireless
- 14 individual pads (seven sets) per system maximum, joined via cable, wireless communication to indicator
- Equipped with industrial Bluetooth® radio module for ability to communicate with indicator
- Integrated wheels for easy transport and positioning
- Internal rechargeable battery with 40 hours of battery life
- Non-slip rubber on the underside of the platform for good grip on all types of surfaces
- Built-in indicator on each scale with 25,4 mm character display
- IP68 rating
- Cover plate protects built-in indicator

### Remote indicator with integrated printer in carrying case

- Carrying case: 325 mm x 460 mm x 170 mm
- Backlit graphic display with touch screen technology
- Internal rechargeable battery with 10 hours of battery life
- Real time clock
- Permanent data storage
- 

- 24-bit A/D converter, up to 2.300 conversions per second
- One DB9 RS232 serial port
- Thermal printer
- ABS transport case

### Wheel weighing software

- Multi-scale functioning mode with ability to weigh up to 14 individual pads (seven sets)
- Static axle weighing function, up to two channels
- Calculation of the x and y coordinates of the center of gravity
- Semi-automatic tare
- Preset tare
- Selection of displayed data on the LCD touchscreen
- Completely customizable keyboard
- 15 customizable and printable text IDs
- 1.000 field database
- Programmable printout from keyboard
- Print and display list of last 3.500 vehicle

## Options/Accessories

- Leveling modules
- Pit frames for semi-permanent floor installations
- Aluminum ramps

## Specifications

### Construction:

Aluminum alloy

### Display:

25,4 mm character display on each scale

### Platform Dimensions (l x w x h):

Load Ranger RF-MD: 564 mm x 511 mm x 58 mm

Load Ranger RF-WD: 750 mm x 561 mm x 58 mm

Load Ranger RF-XWD: 950 mm x 611 mm x 59 mm

Load Ranger RF-XWD: 950 mm x 611 mm x 59 mm

Load Ranger RF-XWD: 950 mm x 611 mm x 59 mm

### System Accuracy:

0,05% of rated capacity

### Power Supply:

Rechargeable battery

Approximately 40 hours of battery life

Includes UL approved AC wall adaptor

### Loading Surface (l x w):

Load Ranger RF-MD: 564 mm x 400 mm

Load Ranger RF-WD: 750 mm x 450 mm

Load Ranger RF-XWD: 950 mm x 500 mm

### Operating Temperature:

-10°C to 40°C

### Storage Temperature:

-20°C to 60°C

### Warranty:

2 year limited warranty

## Approvals

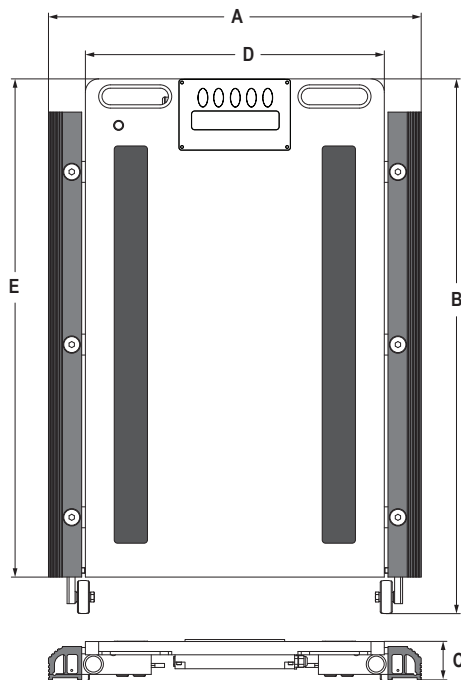


## Part Number/Price

Part #	Description	Price
182099	Remote indicator with integrated printer in carrying case	€1.516,00
<b>Load Ranger RF-MD</b>		
181843	564 mm x 511 mm x 58 mm 1.500 kg x .5 kg	€1.658,00
181844	564 mm x 511 mm x 58 mm 3.000 kg x 1 kg	€1.658,00
181845	564 mm x 511 mm x 58 mm 6.000 kg x 2 kg	€1.658,00
181846	564 mm x 511 mm x 58 mm 10.000 kg x 5 kg	€1.786,00
181847	564 mm x 511 mm x 58 mm 15.000 kg x 5 kg	€1.786,00
<b>Load Ranger RF-WD</b>		
181848	750 mm x 561 mm x 58 mm 6.000 kg x 2 kg	€2.057,00
181849	750 mm x 561 mm x 58 mm 10.000 kg x 5 kg	€2.057,00
181850	750 mm x 561 mm x 58 mm 15.000 kg x 5 kg	€2.057,00
<b>Load Ranger RF-XWD</b>		
181851	950 mm x 611 mm x 59 mm 6.000 kg x 2 kg	€2.518,00
181852	950 mm x 611 mm x 59 mm 10.000 kg x 5 kg	€2.518,00
181853	950 mm x 611 mm x 59 mm 15.000 kg x 5 kg	€2.518,00
181854	950 mm x 611 mm x 59 mm 20.000 kg x 10 kg	€2.518,00

## Options/Accessories

Part #	Description	Price
188744	RS-485 cable	€167,00
181881	Aluminum Ramp for Load Ranger MD Models	€238,00
181882	Aluminum Ramp for Load Ranger WD Models	€271,00
181883	Aluminum Ramp for Load Ranger XWD Models	€295,00
N/A	Installation, testing, configuration and verification	Consult factory



Dimensions			
	RF-MD	RF-WD	RF-XWD
A	508 mm	559 mm	610 mm
B	610 mm	813 mm	991 mm
C	58 mm	58 mm	58 mm
D	406 mm	457 mm	508 mm
E	559 mm	762 mm	940 mm



# Printers

## TABLE OF CONTENTS

<b>RICE LAKE GUARDIAN™</b> .....	<b>318</b>
<i>Stainless Steel Printer Enclosure</i>	
<b>RICE LAKE GUARDIAN G-2™</b> .....	<b>318</b>
<i>Steel Printer Enclosure</i>	
<b>LP542S</b> .....	<b>319</b>
<i>Direct Thermal Labeler</i>	

### Looking for products?

Please visit [www.ricelake.com/global](http://www.ricelake.com/global) for current product pricing or call our European office at +31 (0) 26 472 1319 to talk to an industry expert about our product offerings and customized solutions.

## Rice Lake GUARDIAN™

Stainless Steel Printer Enclosure



Guardian Plus/Guardian Max

### Specifications

**Enclosure:**

304 stainless steel; piano-style hinge

**Dimensions:**

Part #66762 (W x H x D): 361,2 x 361,2 x 539,7 mm

**Weight:**

Approximately 17,2 kg

**Warranty:**

One-year limited warranty

### Standard Features

- GUARDIAN
- Designed to protect the Datamax-O'Neil® I-4208, I-4308 and I-4212 printers from harsh washdown environments
- Single lift-and-turn latch for easy access
- Adjustable anti-skid feet for easy leveling alignment and cleaning under unit
- Sliding label-access door
- Heavy-gauge 304 stainless steel construction for durability

### Part Number/Price

Part #	Description	Est. Weight	Price
66762	Guardian stainless steel printer enclosure for Datamax-O'Neil® I-4206, I-4208, I-4308, I-4212 and Mark II	17,2 kg	€2.755,00

Consult factory for additional models and pricing

## Rice Lake GUARDIAN G-2™

Steel Printer Enclosure



Guardian G-2

### Specifications

**Enclosure:**

Heavy-gauge 304 stainless steel

**Dimensions:**

Part #78672 (W x H x D): 323,8 x 209,5 x 469,9 mm

**Weight:**

Approximately 13,6 kg

**Warranty:**

One-year limited warranty

### Standard Features

- GUARDIAN G-2
- Designed to protect various printers from harsh washdown environments
- Single lift-and-turn latch for easy access
- Adjustable anti-skid feet for easy leveling alignment and cleaning under unit
- Sliding label-access door
- Heavy-gauge 304 stainless steel construction for durability

### Part Number/Price

Part #	Description	Est. Weight	Price
78672	Guardian, G-2 for Zebra TLP2844	10,9 kg	€1.093,00
99465	Guardian, G-2, LP2844, GKD	10,9 kg	€1.093,00
107638	Guardian, G-2 RL-42DT, DT4	10,9 kg	€1.093,00
107639	Guardian, G-2 RL-42TT, G500	10,9 kg	€1.093,00

### Options/Accessories

Part #	Description	Price
46341	Heater option	€200,00
46342	Fan option	€105,00

**Specifications**

**Printing Resolution:**

203 dpi (8 dots/mm)

**Print Speed:**

Up to 127 mm/sec

**Maximum Print Length:**

1016 mm

**Maximum Print Width:**

108 mm

**Label Length:**

From 10 mm up to 999 mm

**Label Width:**

From 20 mm up to 112 mm

**Label Thickness:**

From 0.06 mm up to 0.19 mm

**Label Roll Dimensions:**

127 mm OD (5.0 in OD)

**Fonts:**

8 fixed alphanumeric fonts, 1 true type font with rotation at 0, 90, 180, and 270 degrees

**Available Bar Codes:**

Code 39, Code 39C, Code 93, Code 128uCC, Code 128 (Subset A, B, C), Codabar, Interleave 2 of 5, EAN-8, EAN-13, EAN-128, UPC-A, UPC-E, EAN e, UPC 2 (5) digits add-on, MSI, PLESSEY, POSTNET, China Post, ITF 14, EAN 14

**Available 2D Bar Codes:**

PDF-417, MAXICODE, DATA MATRIX, QR Code

**Memory:**

2 MB DRAM, 2 MB Flash Memory

**Interfaces:**

RS 232, Parallel, USB 1.1

**Standard Software Programming:**

Creation of customized labels with logos, images, weight data, and bar codes

**Dimensions:**

240 x 200 x 164 mm

**Operating Temperature:**

5° C to 40° C

**Power Supply:**

Switching 100/240VAC, 24V 3.75A DC (external power adapter)



APPROVALS



**Standard Features**

- Fitted front peel mechanism with label present sensor

**Part Number/Price**

Part #	Description	Est. Weight	Price
185313	Direct thermal labeler		€539,00

**Options/Accessories**

Part #	Description	Price
185314	RS232 cable, 1,5 m for LP542xx, SMTPlus, PR80 printers	€72,00
185315	RS232 cable, 10 m for LP542xx, SMTPlus, PR80 printers	€99,00
185316	Roll of 1.000 adhesive thermal labels 54 x 66 mm, 40,8 mm hole, 120 mm external diameter	€17,00
185317	20 rolls of 1.000 adhesive thermal labels 54 x 66 mm, 40,8 mm hole, 120 mm external diameter	€303,00
185318	Roll of 1.000 adhesive thermal labels 58 x 53 mm, 39,5 mm hole, 110 mm external diameter	€14,00
185319	24 rolls of 1.000 adhesive thermal labels 58 x 53 mm, 39,5 mm hole, 110 mm external diameter	€270,00
185329	Roll of 500 adhesive thermal labels 63,5 x 80 mm, 40,8 mm hole, 100 mm external diameter	€14,00
185330	36 rolls of 500 adhesive thermal labels 63,5 x 80 mm, 40,8 mm hole, 100 mm external diameter	€396,00
185331	Roll of 1.000 adhesive thermal labels 100 x 40 mm, 40,8 mm hole, 100 mm external diameter	€22,00
185332	16 rolls of 1.000 adhesive thermal labels 100 x 40 mm, 40,8 mm hole, 100 mm external diameter	€319,00
185333	Roll of 1.000 adhesive thermal labels 100 x 60 mm, 40,8 mm hole, 115 mm external diameter	€18,00
185334	12 rolls of 1.000 adhesive thermal labels 100 x 60 mm, 40,8 mm hole, 115 mm external diameter	€182,00
185335	Roll of 250 adhesive thermal labels 100 x 120 mm, 40,8 mm hole, 90 mm external diameter	€14,00
185336	20 rolls of 250 adhesive thermal labels 100 x 120 mm, 40,8 mm hole, 90 mm external diameter	€220,00



# Software

## TABLE OF CONTENTS

<b>INTERCHANGE</b> .....	<b>322</b>
<i>920®/1280 Database Management Software</i>	
<b>ONTRAK®</b> .....	<b>324</b>
<i>Truck Data Management Software</i>	
<b>WEIGHVAULT®</b> .....	<b>326</b>

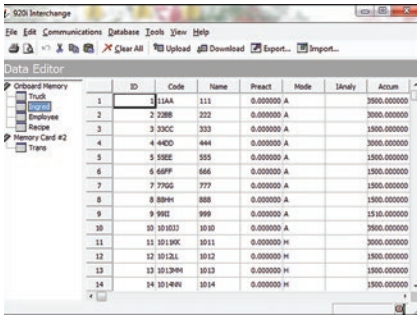
### Looking for products?

Please visit [www.ricelake.com/global](http://www.ricelake.com/global) for current product pricing or call our European office at +31 (0) 26 472 1319 to talk to an industry expert about our product offerings and customized solutions.

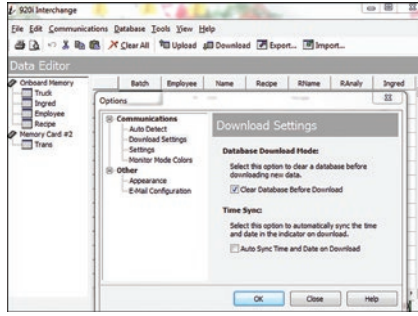
# Interchange

9201®/1280 Database Management Software

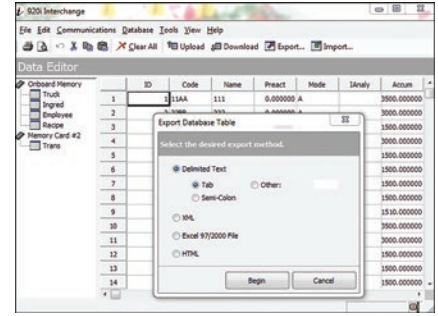
SOFTWARE



Database Editor



Communication Settings for Download



Export or Import Data

Used to set up a custom job file for each indicator database you need to export. Manually or automatically run the job file by setting a predetermined time. Windows® Task Scheduler can run the job file before you get to work and have an uploaded Excel® spreadsheet in your email inbox.

## Specifications

**Minimum System Requirements:**  
Windows XP or greater

## Standard Features

- Setup using an export job wizard
- Connect using RS-232, RS-485 or Ethernet TCP/IP
- Program will connect to the indicator and upload the current database structure
- Select the desired database
- Export database table file types: delimited text, XML, XLS, HTML

## Part Number/Price

Part #	Description	Price
72809	Interchange database software	€281,00

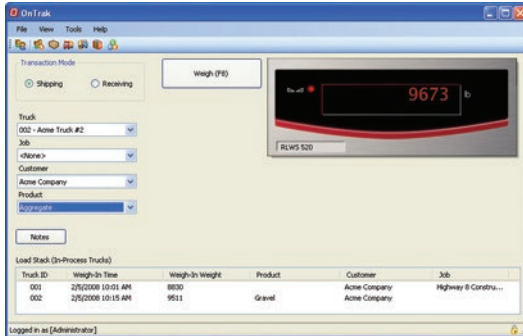
www.ricelake.com/global | Phone: +31 (0) 26 472 1319

RICELAKE

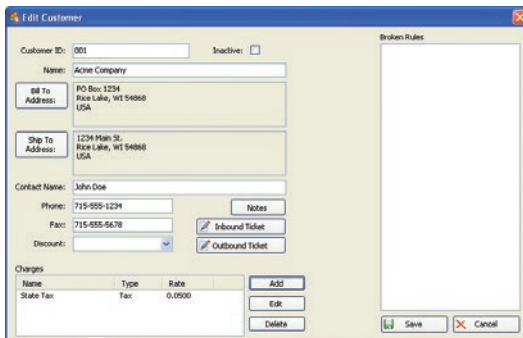


# OnTrak®

TRUCK SCALE DATA MANAGEMENT



Weigh Scale



Customer Account Information

## Specifications

### System Requirements:

Supports Windows® 7 and up (x86 or x64) systems

### Databases:

4 GB max database size when using included MS SQL Server Express, unlimited with standard version of MS SQL Server.

Backup and restore via included SQL Server Management Studio Express

### Communications:

Support for multiple printers

Supports all Rice Lake indicator interfaces

Supports VIRTUi/VIRTUi2 interface

Optional drivers available for non-Rice Lake weight indicators

### Transaction Ticket:

User defined ticket formatting

### Reports:

Comprehensive report filters

Optional custom reports

### Export Data:

File transfer via XML transaction. Export reports can be saved as PDF/XLS

### Transaction Calculations:

Unlimited product prices and discounts

Tax calculations (does not integrate directly to financial software)

### Software Support:

Database configuration, field installation and training available. Phone support packages available, contact Rice Lake for further options

### Approvals:

NTEP CC 05-107

## Standard Features

- SQL Server® Express client/server database
- Comprehensive report filters
- User and administrator filters
- Backup and restore via included SQL Server Management Studio Express
- Unlimited charge/discount per product
- Ship or Receive mode for each transaction
- Exclusive database for: customer, hauler, truck, product, job, price/discount, tax, transaction
- Ethernet TCP/IP or RS-232 connectivity
- Supports VIRTUi/VIRTUi2® or Rice Lake weight indicators
- .CSV transaction file export
- Supports one or two scales only

## APPROVALS



## Optional Features

- Image capture with Ethernet camera TCP/IP (may require SQL server upgrade through Microsoft)
- Interface to non-Rice Lake weight indicators
- Custom reports
- Database configuration
- Field installation and training
- Factory phone support

### Part Number/Price

Part #	Description	Price
104787	OnTrak activation code	€1.326,00
101062	OnTrak CD-ROM*	€76,00

*OnTrak trial at [www.ricelake.com/ontrak](http://www.ricelake.com/ontrak)*

### Options/Accessories

Part #	Description	Price
Consult	Non-Rice Lake indicator interface	Consult
Consult	Custom reports	Consult
Consult	Database configuration	Consult
104789	Phone support, one hour	€119,00
104790	Phone support, 10 hours	€1.188,00
104791	Phone support, 25 hours	€2.969,00
104792	Phone support, 50 hours	€5.938,00
101003	Additional OnTrak manual	€53,00



## Standard Features

- Specialized PC software makes data entry easy
- Boost product ID storage to nearly limitless potential, and manage as many scales as necessary
- Eliminates front-panel entry of ID parameters
- Quickly program, edit and manage scales and each unique product ID right from your PC
- Stores the details of each transaction for either a single scale or multiple scales
- Collects data as transactions occur and provides detailed transaction and productivity reports
- Allows users to add, edit and access IDs over a network connection
- Reports can be exported into word processing, spreadsheet or PDF formats

## Part Number/Price

Part #	Description	Price
117358	Software package, WeighVault for CW90/90X	€238,00
125546	Software package, WeighVault for Counterpart	€238,00

## Specifications

### Minimum System Specifications:

- CW-90X or Counterpart®
- 800+ MHz Intel® compatible processor
- 1 GB of RAM
- 750 MB hard drive space
- See website for OS details
- TCP/IP connections to a CW-90, CW-90X or Counterpart

### Recommended System Specifications:

- 1,0 GHz Intel compatible processor
- 2 GB of RAM
- 4 GB of hard drive space
- Microsoft XP SP3 (32-bit), Windows Vista (x86 or x64), Windows 7 (x86 or x64), Windows 8 (64-bit), Windows 10
- TCP/IP connections to a CW-90, CW-90X or Counterpart

### Network Requirements:

- The PC running the WeighVault service must have a static IP address
- Known IP address and subnet of the host PC; if connecting via WLAN, known network SSID and security settings (pass keys and phrases)
- Network policy must allow passwords of six characters

## Counterpart Functions Only

- Data Registers:
  - ID code [32 characters]
  - Unit weight [6 places]
  - Tare weight [6 places]
  - Units field
  - Parts name [32 characters]
  - Part Description [32 characters]
  - Lot number [32 characters]
  - Location [12 characters]
  - Inventory Quantity [7 characters]
- Reports:
  - Part
  - Inventory
  - Activity
  - Location

## CW-90/90X Functions Only

- Part Fields:
  - Product ID [4 characters]
  - Two Descriptions Fields [32 Characters each]
  - Target
  - Tare
  - Over
  - Under
  - Units
- Reports:
  - Transaction
  - Productivity