

Ishida WM-4000



Discontinued Products

Price and availability confirmation recommended

An ISO 9001 Registered Company © 2020 Rice Lake Weighing Systems 04/01/20 Prices and specifications subject to change without notice. Visit ricelake.com for current prices.

RICE LAKE
WEIGHING SYSTEMS

Wrapper Main Body Assy

Part Number/Price

REF #	PART #	DESCRIPTION	QTY	SYNONYM	PRICE
1	Consult	Frame, main body	1	098-8197-00	Consult
2	Consult	Caster, universal	4	079-3136-03	\$35.00
3	47246	Jack bolt	4	057-0319-04	\$34.00
4	Consult	Hex bolt, bolt and washer assy, S2P2 M6x12 mm SST	32	040-3859-00	\$1.00
5	Consult	Bracket, caster	4	108-8109-03	\$126.00
6	42725	M6x10 Socket head bolt	16	000-008-5835-00	Consult
999	Consult	Spacer, jack	4	108-8094-01	\$82.00

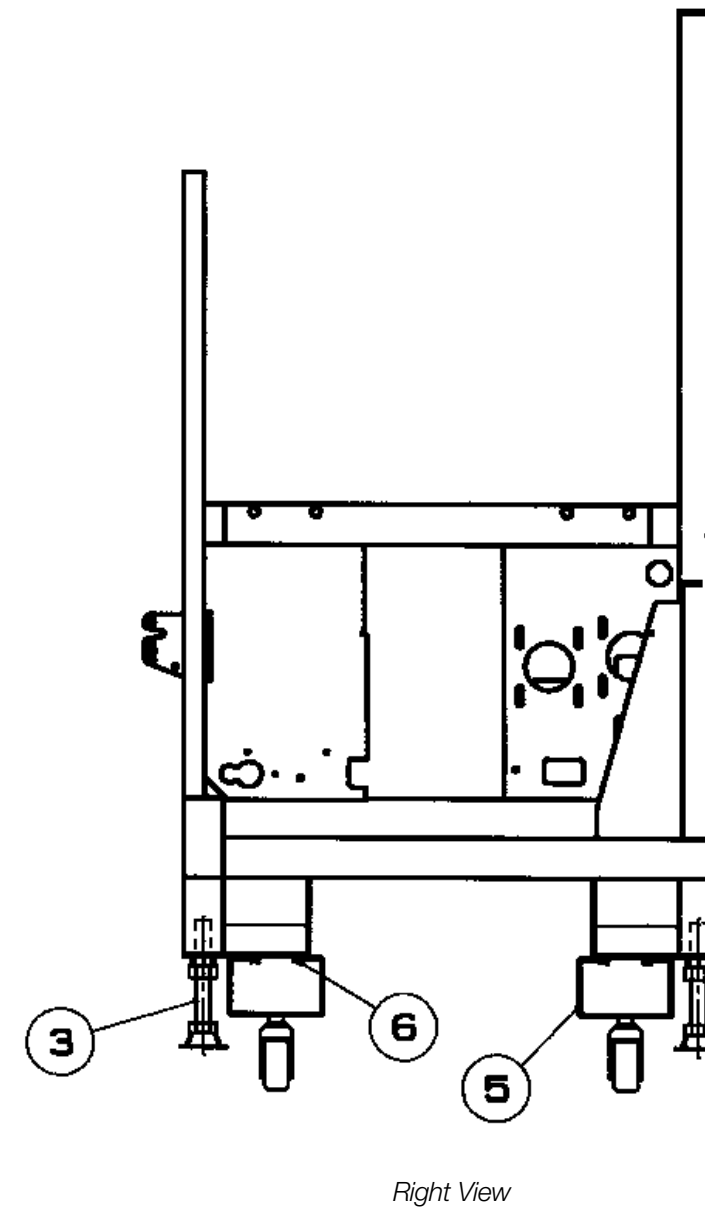
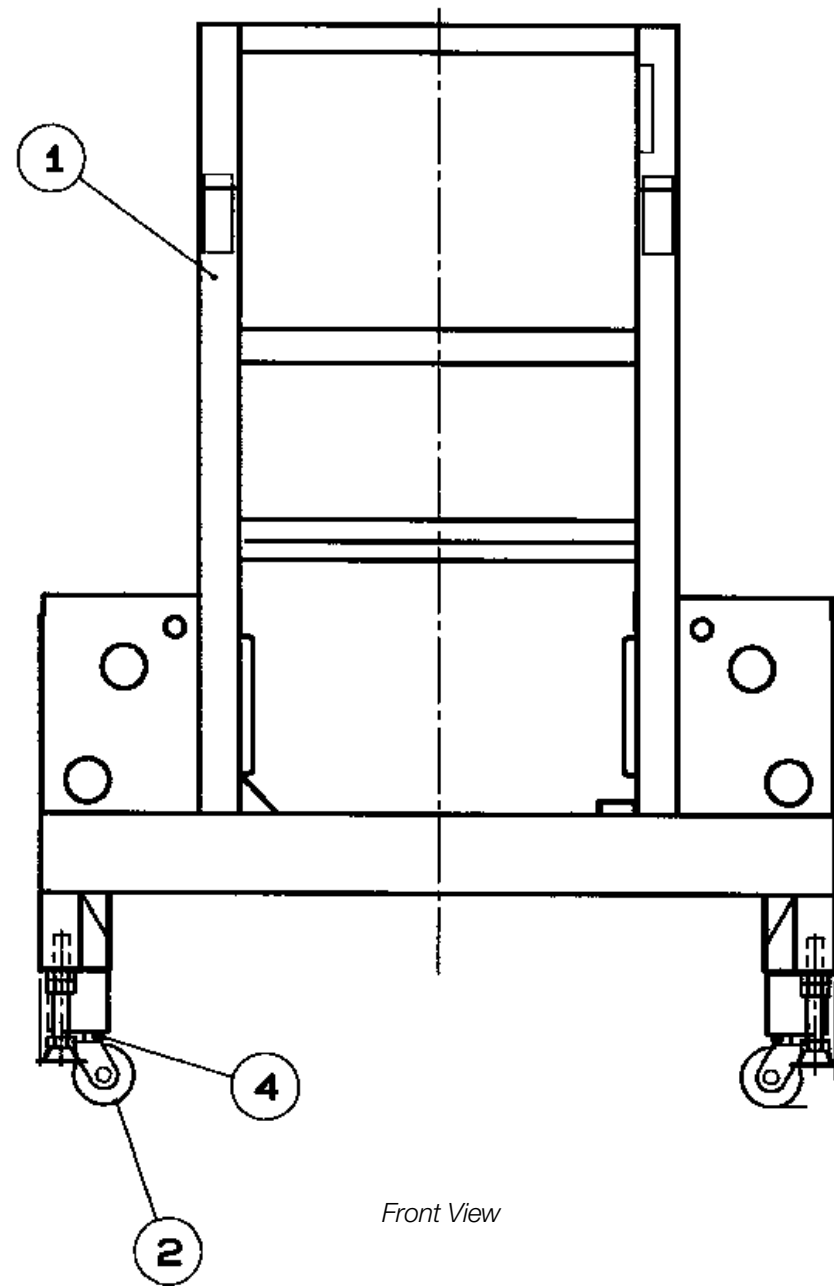
Discontinued Products

Price and availability confirmation recommended

An ISO 9001 Registered Company ©2020 Rice Lake Weighing Systems 04/01/20 Prices and specifications subject to change without notice. Visit ricelake.com for current prices.

Ishida WM-4000

Wrapper Main Body Assy



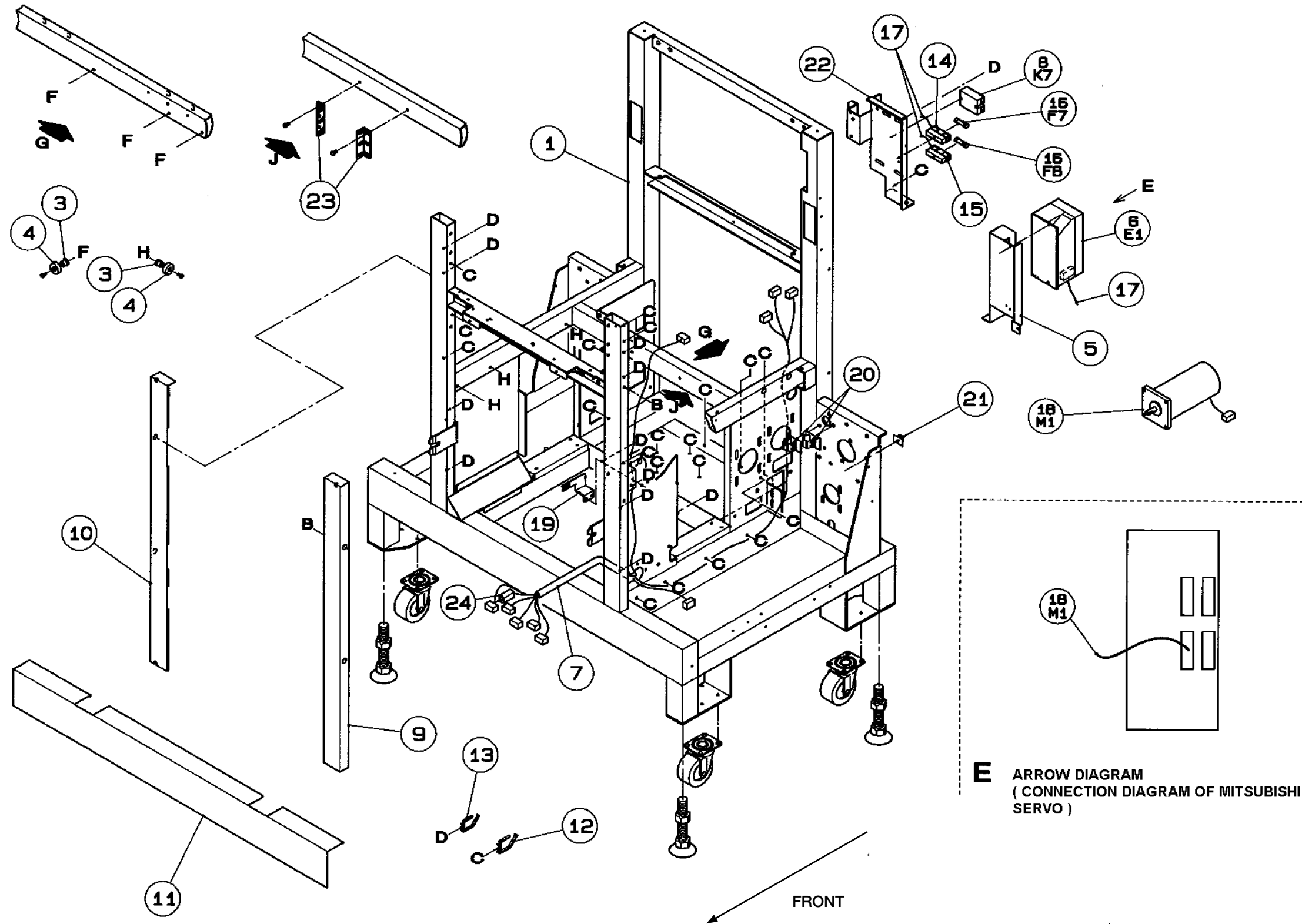
Wrapper Main Body Unit

Part Number/Price

REF #	PART #	DESCRIPTION	QTY	SYNONYM	PRICE
3	Consult	Collar	6	079-3054-01	\$6.00
4	84792	Bearing, radial, deep groove	6	051-4933-02	\$12.00
5	Consult	Bracket, amp, servo	1	079-3265-29	\$28.00
6	99030	Controller, driver, servo, lift (E1)	1	092-2515-05	\$1,089.00
7	Consult	Harness, C10, infeed	1	079-3409-28	\$128.00
8	157895	Relay, solid state (K7)	1	073-7118-07	\$30.00
9	Consult	Cover, frame, main body	1	072-2467-66	\$45.00
10	Consult	Cover, frame, main body	1	072-2468-60	\$45.00
11	Consult	Cover, main body, lower	1	091-0513-12	\$52.00
12	Consult	Accessory, clamp, LWS clamp	17	073-7214-01	\$1.00
13	Consult	Accessory, clamp, LWS clamp	13	073-7215-05	\$1.00
14	72857	Fuse holder, terminal type	1	000-4119-04	\$9.00
15	72856	Fuse holder, terminal type	1	040-2724-07	\$9.00
16	99133	Fuse, glass tube, 250V 8A (F7, F8)	2	017-5713-01	\$2.00
18	99031	Motor, servo, lift (M1)	1	092-2516-09	\$488.00
19	Consult	Switch, actuator, draw	1	079-3033-12	\$6.00
20	Consult	Accessory clamp, CKS clamp	2	052-4732-08	\$3.00
21	Consult	Accessory clamp, CKS clamp	1	032-9012-00	\$2.00
22	Consult	Frame, motor, feeder	1	079-3266-41	\$45.00
23	Consult	Bracket, frame, change	2	101-1522-02	\$9.00
24	186547	Filter, ferrite	1	044-2730-09	\$9.00

Ishida WM-4000

Wrapper Main Body Unit



E ARROW DIAGRAM
(CONNECTION DIAGRAM OF MITSUBISHI
SERVO)

Lift Drive Unit

Part Number/Price

REF #	PART #	DESCRIPTION	QTY	SYNONYM	PRICE
1	Consult	Base, lift	1	042-4997-27	\$156.00
2	Consult	Case, gear, lift assy	1	072-2361-01	\$188.00
3	Consult	Case, gear, lift assy	1	072-2362-04	\$188.00
4	42967	Cap	2	001-4457-01	\$1.00
5	Consult	Pusher, segment M	4	041-4355-01	\$62.00
6	Consult	Oil seal	2	041-4359-05	\$8.00
7	Consult	Gear head, worm	1	065-9665-01	\$400.00
8	Consult	Bracket, gear, head	1	042-4523-16	\$7.00
9	189281	Key, parallel, both ends round	2	046-2185-03	\$3.00
10	Consult	Gear, flat	2	042-4539-24	\$99.00
11	Consult	Collar, pinion, hold	2	042-4515-25	\$5.00
12	Consult	Bearing, radial, deep groove	2	000-3654-07	\$13.00
13	Consult	Holder, bearing, lift	2	042-4622-21	\$33.00
14	Consult	Bracket, lift, drive	1	101-1504-05	\$30.00
15	Consult	Gear, rack lift	2	101-1502-08	\$188.00
16	Consult	Collar, stopper	2	098-3130-02	\$14.00
19	41654	Seal	1	014-3683-03	\$3.85
20	Consult	Base, head, lift F	1	101-1501-13	\$109.00
21	Consult	Plate B, connect, fix	1	079-3045-26	\$30.00
22	Consult	Detect, plate, original, lift	1	101-1585-07	\$6.00
23	Consult	Block B, housing, rear head	2	070-5489-00	\$25.00
24	Consult	Bracket, connect, rear head	1	101-1503-01	\$34.00
25	Consult	Base, head, lift R	1	101-1521-18	\$99.00
26	157864	Ball plungers	2	072-2115-01	\$41.00
27	Consult	Block B, slide, lift change over	2	076-1781-07	\$7.00
28	99029	Sensor assy lift lower, home position (B5)	1	072-2279-26	\$58.00
32	180618	Collar, lift head	8	076-9554-16	\$2.00
33	Consult	Collar	2	090-0667-06	\$4.00
37	Consult	Accessory, clamp, LWS clamp	2	073-7212-04	\$1.00

See Wrapper Main Body Unit for Lift Motor and Servo

Price and availability confirmation recommended

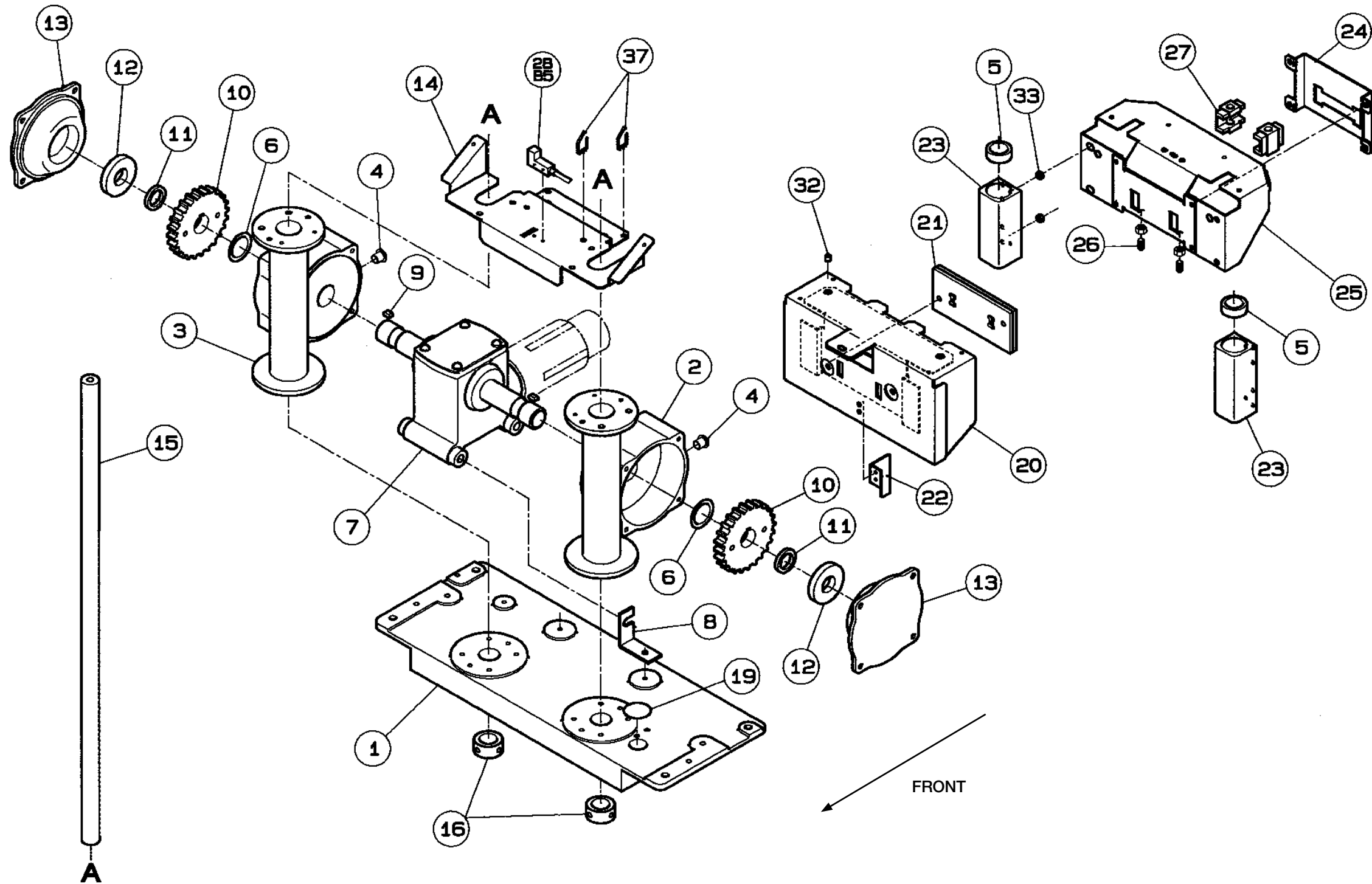
An ISO 9001 Registered Company © 2020 Rice Lake Weighing Systems 04/01/20 Prices and specifications subject to change without notice. Visit ricelake.com for current prices.

RICE LAKE
WEIGHING SYSTEMS

Discontinued Products

Ishida WM-4000

Lift Drive Unit



B5 - Lift home position

Lift Changeover Unit

Part Number/Price

REF #	PART #	DESCRIPTION	QTY	SYNONYM	PRICE
1	Consult	Frame, change	1	101-1520-23	\$126.00
2	Consult	Bracket, sensor, change	1	079-3051-10	\$20.00
5	Consult	Bracket, stopper	1	101-1518-25	\$48.00
6	Consult	Bracket, stopper	1	101-1519-29	\$48.00
7	Consult	Bracket, change, lift, R	1	098-8199-25	\$82.00
8	Consult	Block B, change	1	079-1293-17	\$3.00
9	Consult	U plate B, link, change	1	069-2385-20	\$45.00
10	Consult	Pin, move, change	1	069-2389-33	\$12.00
11	Consult	Pin, fulcrum, change	1	079-3046-11	\$12.00
12	Consult	Collar, link	1	069-2387-27	\$8.00
13	Consult	Boss, motor, changeover	1	076-1782-01	\$12.00
14	Consult	Plate B, sensor plate, changeover	1	072-2185-20	\$4.00
15	Consult	Shaft, moving, lift changeover	2	070-5185-26	\$9.00
16	182003	Gear head	1	025-3814-01	\$199.00
17	182004	Bush	2	028-1527-06	\$2.00
18	104239	Photo interrupter, trans (B1, B2)	2	070-5204-14	\$9.00
19	182005	Motor assy lift changeover (M15)	1	069-4690-23	\$153.00
20	Consult	L plate B, nut plate, lift	1	079-3043-01	\$11.00
21	Consult	Block B, lift change, ratch	1	091-0529-02	\$41.00
22	Consult	Block B, lift change, ratch	1	091-0530-07	\$41.00
23	Consult	Accessory, clamp LWS clamp	3	073-7213-08	\$1.00
24	Consult	Collar, link, change B	1	073-7367-08	\$6.00
25	Consult	Harness, C4, lift sensor	1	069-4559-46	\$38.00
26	Consult	Accessory, clamp, LWS clamp	3	073-7212-04	\$1.00

Price and availability confirmation recommended

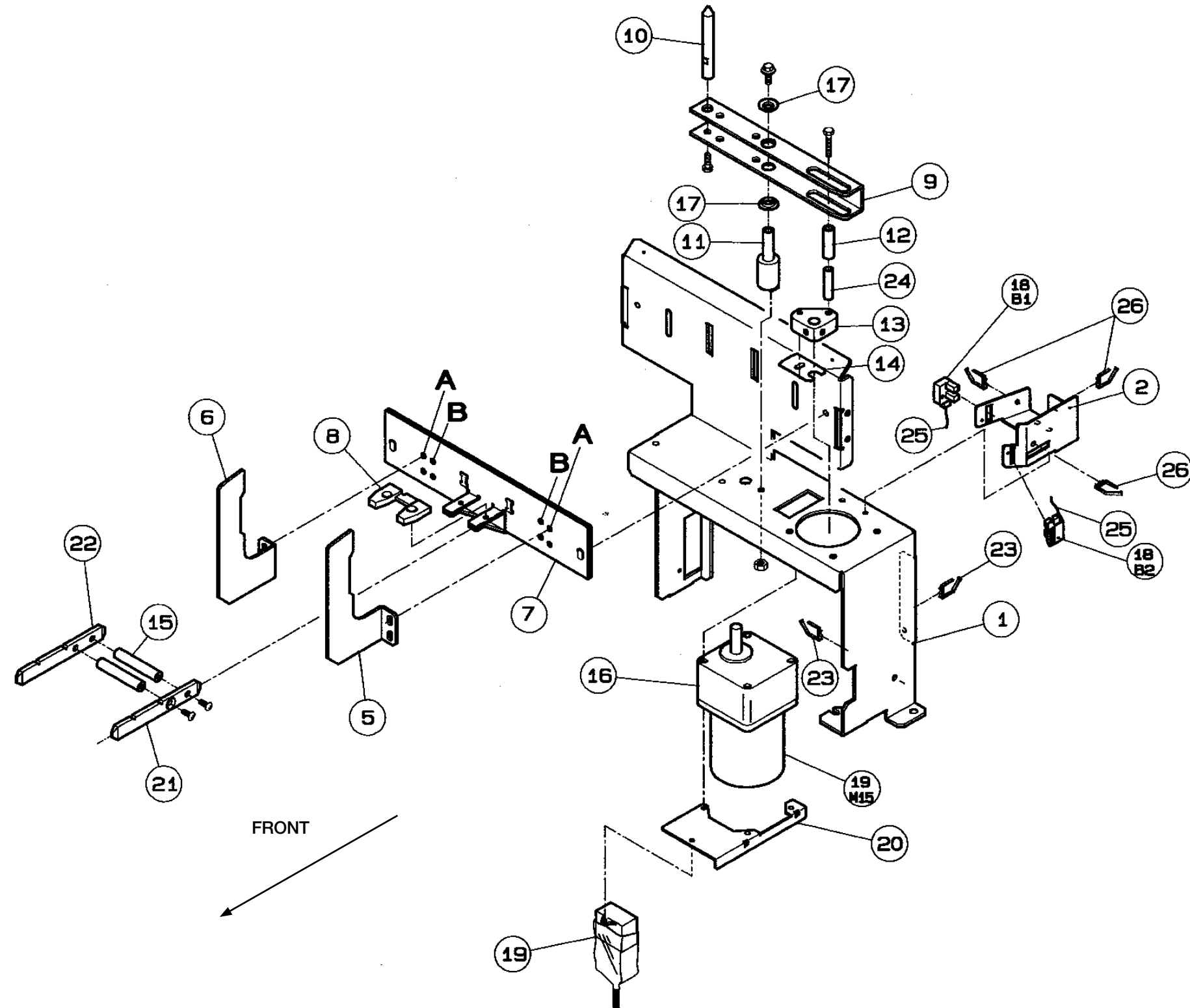
An ISO 9001 Registered Company © 2020 Rice Lake Weighing Systems 04/01/20 Prices and specifications subject to change without notice. Visit ricelake.com for current prices.

RICE LAKE
WEIGHING SYSTEMS

Discontinued Products

Ishida WM-4000

Lift Changeover Unit



B1 - Lift changeover, large
 B2 - Lift changeover, small

Lift Head Unit

Part Number/Price

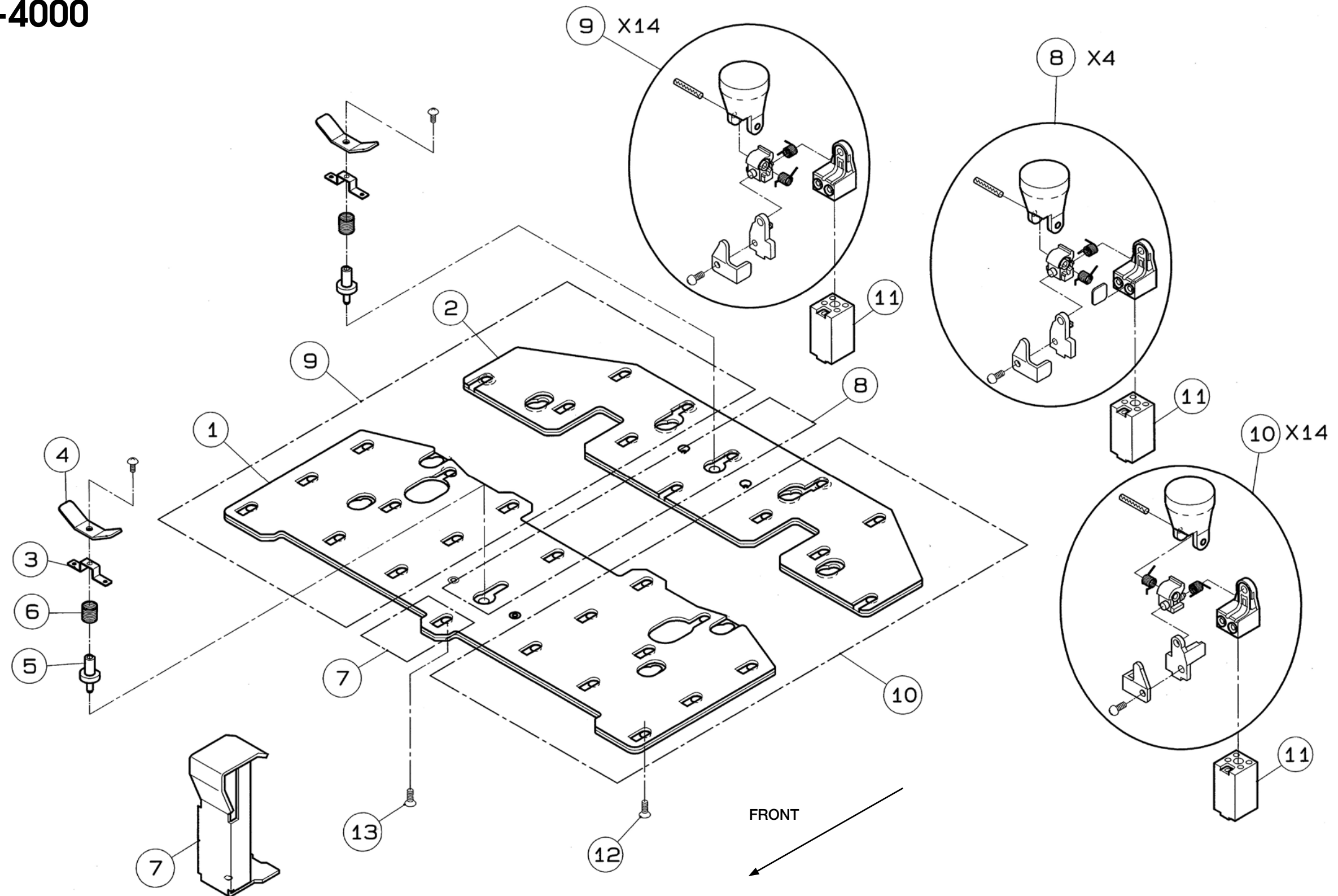
REF #	PART #	DESCRIPTION	QTY	SYNONYM	PRICE
1	Consult	Plate B, head, lift front	1	098-3140-19	\$48.00
2	Consult	Plate B, head, lift rear	1	098-3141-03	\$35.00
3	157844	Bracket, lift, flex	2	116-1863-08	\$13.00
4	157845	Plate, lift head	2	116-1864-0	\$13.00
—	Consult	Screw, button head, M3x6	2		Consult
5	157846	Shaft, lift, fix	2	101-1727-09	\$11.00
6	157847	Spring, coil, compressive	2	098-3135-01	\$5.00
7	181249	Lift head, steel, "handle"	1	130-6794-01	\$80.00
—	181293	Screw, M4x8, flat head phillips, SST	1		\$1.00
8	157839	Lift head assy center	4	098-8359-33	\$11.00
9	157840	Lift head assy left	14	098-8360-38	\$29.00
10	157841	Lift head assy right	14	098-8361-31	\$29.00
11	157842	Block B, spacer	33	098-8227-26	\$4.00
12	157843	Tapping screw, pan head	33	098-8231-03	\$1.00

Price and availability confirmation recommended

An ISO 9001 Registered Company © 2020 Rice Lake Weighing Systems 04/01/20 Prices and specifications subject to change without notice. Visit ricelake.com for current prices.

Ishida WM-4000

Lift Head Unit



ISHIDA WM-4000

Lift Stopper Unit

Part Number/Price

REF #	PART #	DESCRIPTION	QTY	SYNONYM	PRICE
1	Consult	Bracket, solenoid, lift	1	091-0505-12	\$19.00
2	164213	Plate B, solenoid	1	091-0504-19	\$10.00
3	157893	Block B, stopper, lift change	1	070-5181-21	\$17.00
4	164214	Spring, coil, compressive	1	091-0649-06	\$4.00
5	164215	U plate A, lift, stopper	1	070-5183-10	\$7.00
7	164216	Solenoid, lift hold (L19)	1	090-0794-06	\$27.00

Discontinued Products

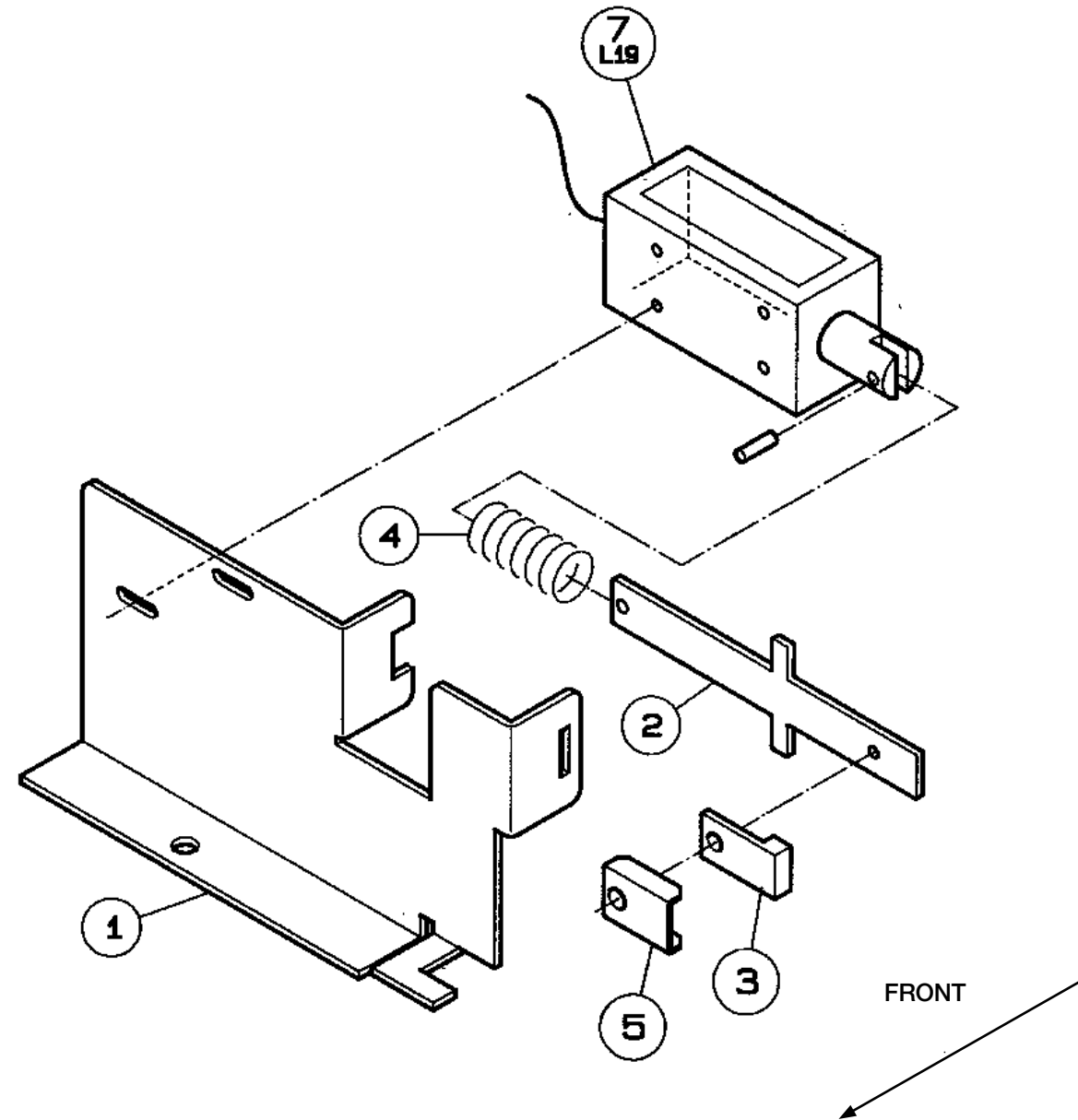
Price and availability confirmation recommended

An ISO 9001 Registered Company © 2020 Rice Lake Weighing Systems 04/01/20 Prices and specifications subject to change without notice. Visit ricelake.com for current prices.

RICE LAKE
WEIGHING SYSTEMS

Ishida WM-4000

Lift Stopper Unit



Infeed Conveyor Unit

Part Number/Price

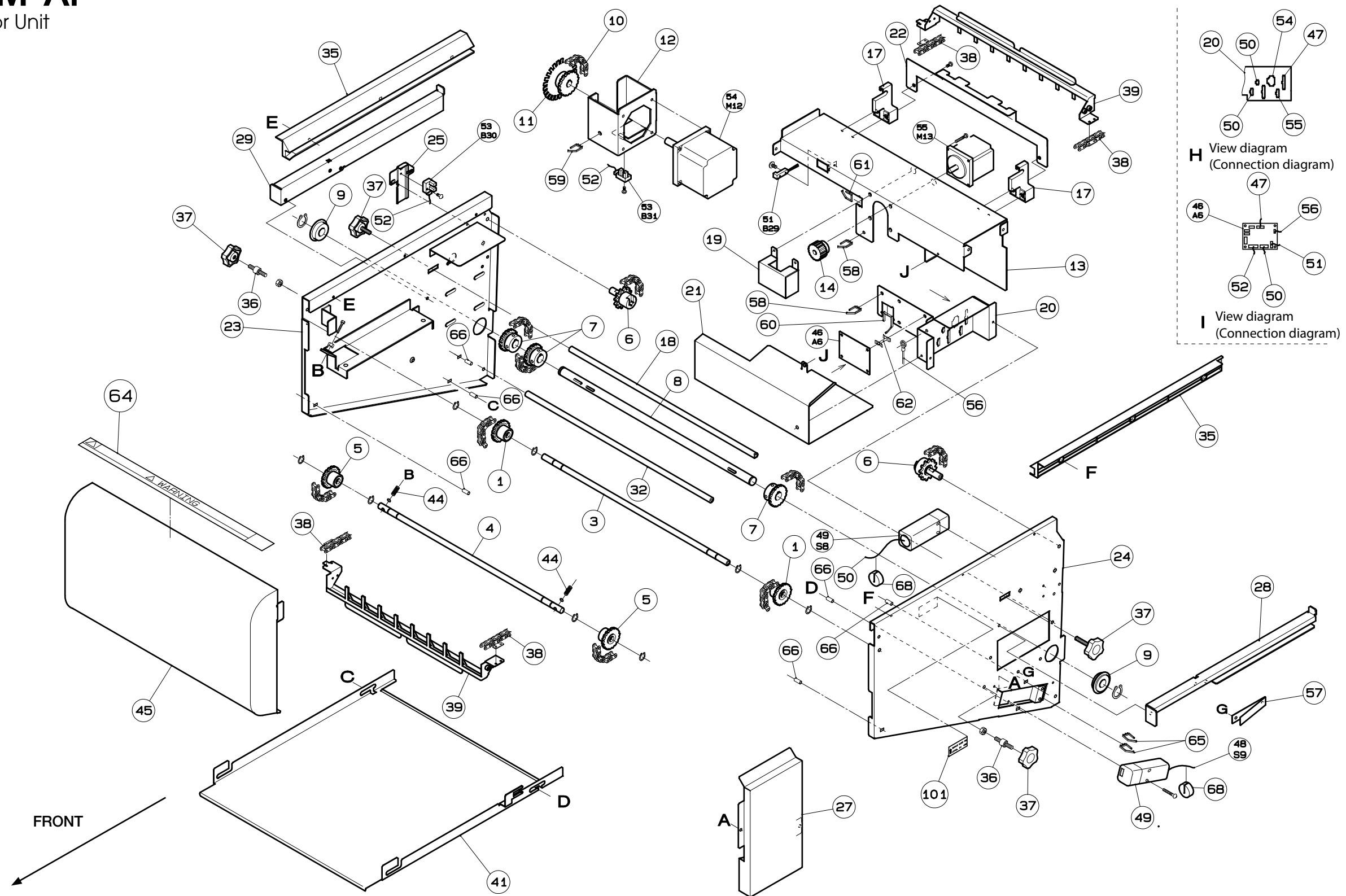
REF #	PART #	DESCRIPTION	QTY	SYNONYM	PRICE
1	Consult	Sprocket, 35, C	2	079-3055-14	\$38.00
3	Consult	Shaft, fixed	1	079-3031-24	\$30.00
4	Consult	Shaft, tension	1	079-3032-00	\$25.00
5	Consult	Sprocket, 35, C	2	079-3056-18	\$34.00
6	Consult	Sprocket assy	2	076-9971-16	\$66.00
7	Consult	Sprocket, T35, B	3	076-9805-11	\$28.00
8	Consult	Shaft, drive	1	070-1024-34	\$48.00
9	106115	Bearing, radial, deep groove	2	030-6366-02	\$12.00
10	Consult	Chain, roller, SST, drive motor	1	057-7088-00	\$24.00
11	Consult	Sprocket assy, motor	1	076-9972-10	\$41.00
12	Consult	Bracket, motor, conveyor	1	090-0657-18	\$48.00
13	Consult	Bracket, cover, motor	1	079-3036-22	\$126.00
14	193373	Gear, flat	2	076-1963-08	\$48.00
17	Consult	Holder, shaft, lower	1	076-9797-05	\$6.00
18	Consult	Threaded rod, round, FF	1	072-2111-06	\$25.00
19	Consult	Cover, gear	1	072-2200-04	\$22.00
20	Consult	Bracket, connector	1	070-5228-31	\$34.00
21	Consult	Cover, infeed, board	1	079-3026-43	\$35.00
22	162625	Guide, transfer	1	098-3138-39	\$101.00
23	Consult	Frame, conveyor L	1	079-3038-48	\$189.00
24	Consult	Frame, conveyor R	1	079-3039-41	\$189.00
25	Consult	Bracket, sensor, starting point	1	070-1103-44	\$24.00
27	Consult	Cover, harness	1	090-0764-13	\$30.00
28	Consult	Rail	1	079-3028-22	\$55.00
29	Consult	Rail	1	079-3029-26	\$55.00
32	Consult	Threaded rod, round, FF	1	070-1033-10	\$24.00
35	157850	Guide, pusher, L+R (set)	1	101-1852-01	\$198.00
--	156992	Guide, pusher, extended, L+R (set)			\$440.00
36	157849	Threaded rod, round, mm	2	072-2229-01	\$9.00
37	47159	Knob, includes nut	4	000-1543-00	\$4.00
38	157882	Chain, roller, infeed pusher	2	070-1023-12	\$71.00
39	157848	Pusher, feed, PS	3	098-3287-21	\$184.00
41	Consult	Cover, lower	1	079-3034-25	\$85.00
44	Consult	Spring, coil, compressive	2	091-0601-08	\$6.00
45	Consult	Cover, conveyor	1	090-0658-49	\$131.00
46	159671	PWB, P-921, infeed I/O (A6)	1	068-9898-21	\$82.00
47	Consult	Harness, C2, comm	1	069-6787-55	\$11.00
48	Consult	Harness, C5, lower cover	1	072-2097-34	\$8.00
49	157866	Switch, safety, infeed and debris door (S8, S9)	2	111-8428-00	\$77.00
50	Consult	Harness, C7, drawer	1	071-4665-30	\$15.00
51	187755	Sensor assy, centering (B29)	1	072-2096-31	\$62.00
52	Consult	Harness, C3, sensor	1	090-0787-00	\$12.00
53	104239	Photo interrupter, transmitters (B30, B31)	2	070-5204-14	\$9.00
54	167686	Motor, stepping, infeed (M12)	1	070-1251-06	\$207.00
55	Consult	Motor, stepping, centering (M13)	1	070-1416-03	\$158.00
56	Consult	Harness, C2, ground	1	072-2104-28	\$2.00
57	Consult	Accessory, clamp, flat clamp	1	065-1823-03	\$7.00
58	Consult	Accessory, clamp, LWS clamp	2	073-7214-01	\$1.00
59	Consult	Accessory, clamp, LWS clamp	1	073-7212-04	\$1.00
60	Consult	Accessory, fastener	1	073-7211-01	\$2.00
61	Consult	Accessory, fastener, edge saddle	1	064-0360-05	\$2.00
62	47027	PWB accessory, card spacer	4	000-1796-05	\$1.00
64	Consult	Name plate, caution	1	106-6701-16	\$58.00
65	Consult	Accessory, clamp, LWS clamp	2	073-7213-08	\$1.00
66	Consult	Pin, feed, fulcrum	6	090-0912-09	\$5.00
68	Consult	Cap, harness, switch	2	091-0707-09	\$2.00
101	Consult	Name plate, level	1	025-2570-09	\$15.00

Price and availability confirmation recommended

An ISO 9001 Registered Company © 2020 Rice Lake Weighing Systems 04/01/20 Prices and specifications subject to change without notice. Visit ricelake.com for current prices.

Ishida WM-Ai

Infeed Conveyor Unit



- B29 - Centering home position
- B30 - Infeed pushers home position
- B31 - Infeed motor timing wheel

Centering Unit

Part Number/Price

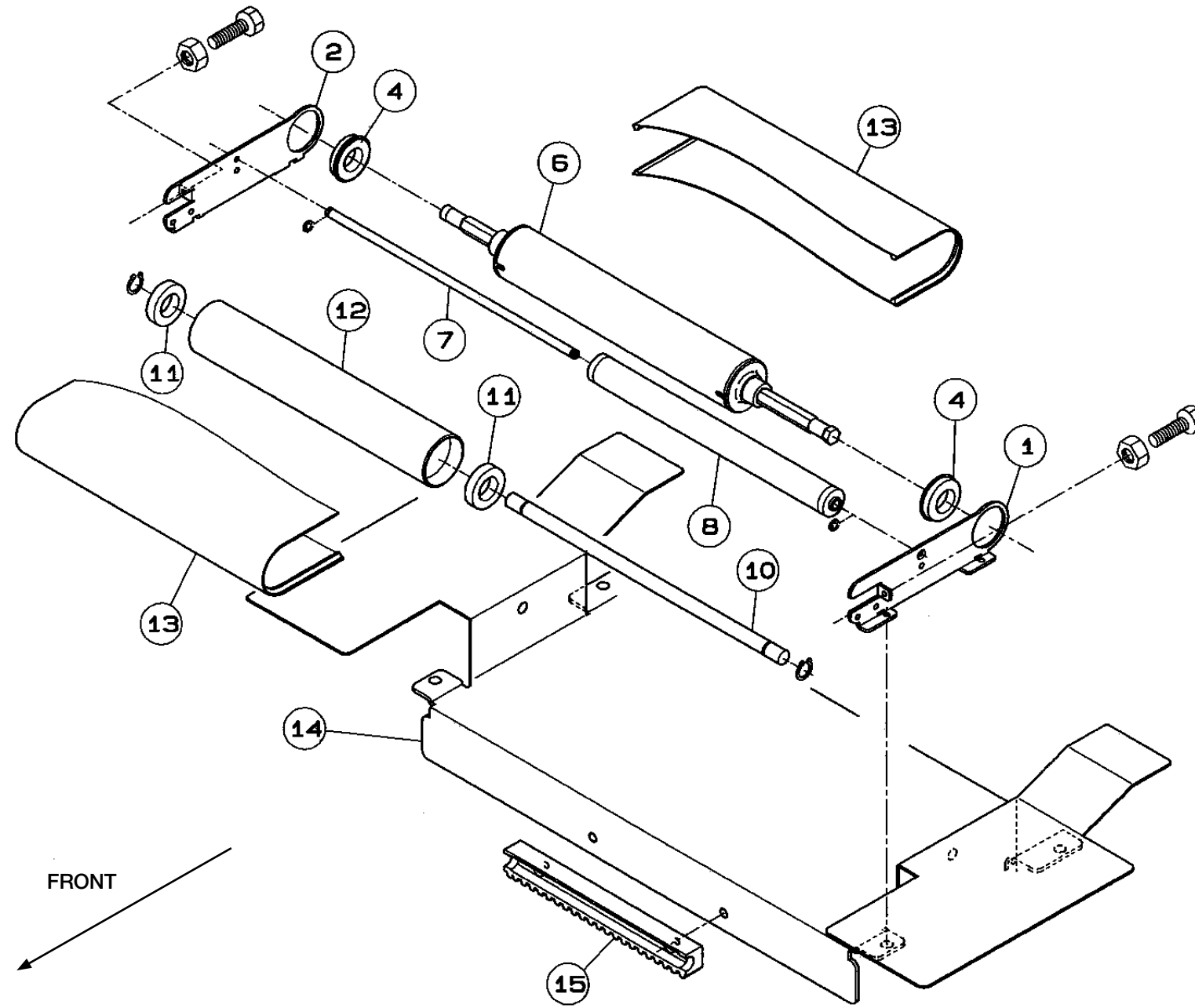
REF #	PART #	DESCRIPTION	QTY	SYNONYM	PRICE
1	Consult	Frame, conveyor, centering	1	076-1925-06	\$11.00
2	Consult	Frame, conveyor, centering	1	076-1926-00	\$11.00
4	Consult	Bearing, radial, deep groove	2	076-1701-09	\$21.00
6	Consult	Roller assy, drive	1	095-4176-14	\$139.00
7	Consult	Shaft, roller	1	072-2152-18	\$23.00
8	Consult	Roller	1	072-2150-11	\$35.00
10	Consult	Shaft, follower	1	076-9996-19	\$27.00
11	Consult	Bearing, radial, deep groove	2	016-4885-07	\$7.00
12	Consult	Roller, follower	1	070-1042-31	\$52.00
13	Consult	Flat belt	1	090-0924-12	\$126.00
14	Consult	Bracket, rack	1	090-0748-22	\$123.00
15	157896	Gear, rack	1	076-1842-01	\$6.00

Price and availability confirmation recommended

An ISO 9001 Registered Company © 2020 Rice Lake Weighing Systems 04/01/20 Prices and specifications subject to change without notice. Visit ricelake.com for current prices.

Ishida WM-4000

Centering Unit



Frame Unit

Part Number/Price

REF #	PART #	DESCRIPTION	QTY	SYNONYM	PRICE
1	Consult	Frame, connect, link	1	090-0672-23	\$48.00
2	Consult	Frame, motor, wrapper	1	076-9985-36	\$90.00
3	Consult	Frame, link, R	1	091-0508-04	\$38.00
4	Consult	Frame, link, L	1	090-0669-12	\$52.00
5	Consult	Frame, wrapper, L	1	090-0754-25	\$48.00
6	Consult	Frame, wrapper, R	1	090-0755-29	\$48.00
7	Consult	Frame, slide, packing	2	072-2344-25	\$66.00
8	Consult	L plate B sensor, fold	1	072-2217-25	\$9.00
9	Consult	Bracket, tension, pusher L	1	090-0756-22	\$45.00
10	Consult	Bracket, tension, pusher R	1	073-7249-39	\$32.00
11	Consult	Frame, power SW	1	090-0668-00	\$25.00
12	Consult	Bracket, MC	1	090-0670-26	\$16.00
13	152168	Photo, interrupter, transmitter (B25)	1	072-2099-048	\$14.00
14	152169	Photo, interrupter, receiver (B26)	1	072-2100-05	\$24.00
16	72842	Switch, rotary, main power on/off (S1)	1	072-2230-06	\$108.00
17	157897	Power supply, switching (U1, U2)	2	110-7784-05	\$227.00
18	157865	Electromagnetic contactor	1	069-2403-05	\$71.00
19	Consult	Harness, C4, MC coil	1	069-6755-38	\$12.00
21	Consult	Harness, S2, short circuit M	1	069-4568-21	\$4.00
22	Consult	Harness, S2, short circuit MC	1	069-4567-28	\$4.00
23	157866	Switch, safety, printer door (S2)	1	111-8428-00	\$77.00
24	104239	Photo interrupter, transmitter (B6, B7, B8)	3	070-5204-14	\$9.00
26	Consult	Frame, applicator base, rear	1	090-0671-20	\$69.00
28	116274	Electromagnetic, coil surge (Z3)	1	072-2108-04	\$30.00
29	Consult	Harness, C14, PS DC	1	072-2266-46	\$69.00
30	Consult	Harness, C14, signal	1	098-8345-04	\$72.00
31	157895	Relay, solid state (K5)	1	073-7118-07	\$30.00
35	Consult	Accessory fastener, edge saddle	2	064-0360-05	\$2.00
37	Consult	Accessory, clamp, LWS clamp	17	073-7214-01	\$1.00
38	Consult	Accessory, clamp, LWS clamp	6	073-7212-04	\$1.00
39	Consult	Accessory, clamp, LWS clamp	1	073-7213-08	\$1.00

Price and availability confirmation recommended

An ISO 9001 Registered Company © 2020 Rice Lake Weighing Systems 04/01/20 Prices and specifications subject to change without notice. Visit ricelake.com for current prices.

RICE LAKE
WEIGHING SYSTEMS

Discontinued Products

Wrapping Front/Rear Unit

Part Number/Price

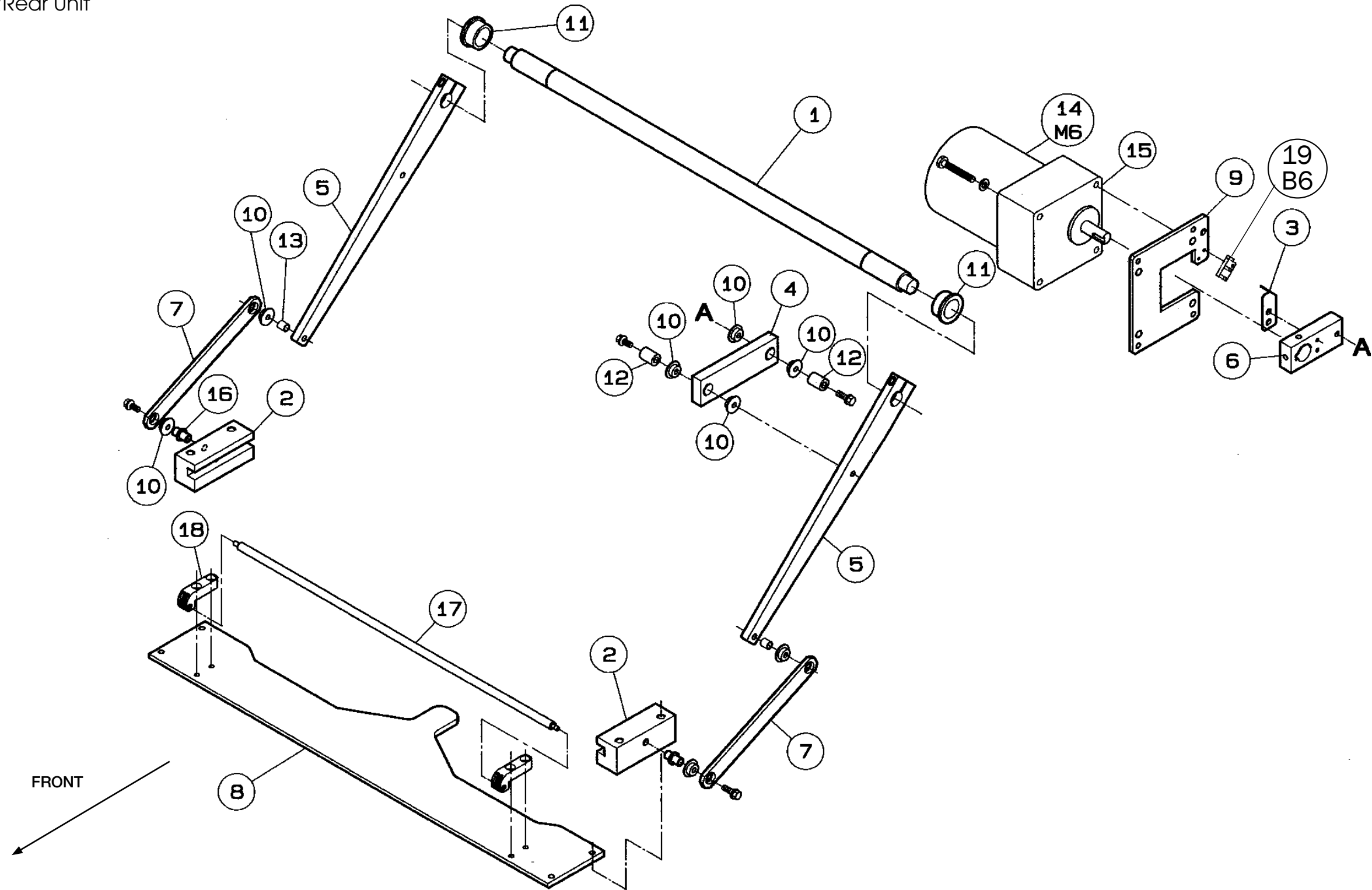
REF #	PART #	DESCRIPTION	QTY	SYNONYM	PRICE
1	Consult	Shaft, drive, R stop	1	069-2340-13	\$52.00
2	108171	Block B, slide, fold	2	076-3392-09	\$9.00
3	Consult	Detect plate R fold	1	070-5343-19	\$4.00
4	Consult	Block A, link fold	1	069-2355-00	\$12.00
5	Consult	Arm R stop	2	069-2356-40	\$55.00
6	Consult	Block B, link, drive	1	090-0949-06	\$11.00
7	Consult	Plate B, link, fold	2	090-0995-08	\$7.00
8	157951	Plate B, R fold	1	098-3272-17	\$196.00
9	Consult	Plate B, motor, R fold	1	070-5341-02	\$22.00
10	89101	Bush	8	002-5807-01	\$5.25
11	157949	Bush	2	042-4847-31	\$33.00
12	83314	Collar	2	042-4848-16	\$6.00
13	Consult	Collar	2	002-7306-00	\$5.00
14	Consult	Motor, DC brushless (M6)	1	101-1710-06	\$191.00
15	Consult	Gear head	1	070-5253-08	\$148.00
16	108172	Pin, step, fold	2	073-7117-03	\$9.00
17	157898	Shaft, step, R fold	1	098-3136-13	\$32.00
18	157950	Holder, shaft	2	098-3131-06	\$4.00
19	104239	Photo interrupter, transmitter, home position (B6)	1	070-5204-14	\$9.00

Price and availability confirmation recommended

An ISO 9001 Registered Company © 2020 Rice Lake Weighing Systems 04/01/20 Prices and specifications subject to change without notice. Visit ricelake.com for current prices.

Ishida WM-4000

Wrapping Front/Rear Unit



B6 - Rear folder home position

Wrapping Left/Right Unit

Part Number/Price

REF #	PART #	DESCRIPTION	QTY	SYNONYM	PRICE
1	Consult	Shaft, linear	1	069-2341-08	\$72.00
3	Consult	Housing, F, S	2	076-1759-04	\$18.00
4	174461	Plate B, s-fold, right	1	091-0718-19	\$107.00
5	174463	Plate B, s-fold, left	1	091-0719-12	\$107.00
6	Consult	Bracket, joint, s-fold	1	098-3143-01	\$52.00
7	Consult	Bracket, joint, s-fold	1	098-3144-04	\$52.00
8	Consult	Detect plate s-fold	1	076-9982-08	\$7.00
9	Consult	Holder, link, s-fold	1	079-1251-20	\$24.00
10	Consult	Arm, link, s-fold	2	076-9834-00	\$8.00
11	Consult	Bush	4	030-2989-08	\$2.00
12	Consult	Bracket, motor, s-fold	1	076-9984-05	\$52.00
14	Consult	Frame, heater	1	070-1142-59	\$15.00
15	153628	Bush	8	028-1523-01	\$2.00
16	132034	Shaft step type	2	072-2148-03	\$32.00
17	Consult	Shaft, linear	1	072-2149-07	\$65.00
18	Consult	Housing, linear	2	073-7222-01	\$21.00
19	157899	Bearing, linear bush	4	068-5132-00	\$18.00
20	157900	Bearing, linear bush	4	069-4929-04	\$23.00
21	Consult	Collar	2	076-9981-13	\$4.00
22	Consult	Bracket, heater	1	091-0579-09	\$32.00
23	Consult	Motor assy, DC brushless (M7)	1	101-1563-05	\$202.00
24	Consult	Gear head	1	055-9083-04	\$145.00
25	153654	Bush (included with #29)	4	070-5375-09	\$6.00
26	125701	Solenoid assy, clamp (L21)	2	073-7078-01	\$27.00
27	181316	Bracket, thermistor	1	070-5234-71	\$12.00
28	Consult	Block B, heater, right	1	076-1830-06	\$19.00
29	153655	Roller assy, rotation, heater (includes #25)	2	112-6814-04	\$99.00
30	Consult	Block B, heater, left	1	076-1829-11	\$24.00
31	153657	Thermistor assy heater front (R1)	1	072-2291-03	\$24.00
32	157920	Thermistor assy heater rear (R2)	1	072-2292-07	\$24.00
33	Consult	Plate B, heater	2	076-1962-13	\$4.00
34	160473	Heater rear (seal bar element) (E15)	1	072-2147-37	\$164.00
--	168478	Thermal fuse (TCO) 10A, 250V, 152C	1		\$2.00
35	160474	Heater front (seal bar element) (E14)	1	072-2146-33	\$164.00
--	168478	Thermal fuse (TCO) 10A, 250V, 152C	1		\$2.00
36	Consult	Cover, thermistor	1	072-2439-25	\$10.00
37	Consult	Collar spacer	2	000-9538-00	\$1.00
38	Consult	Collar spacer	1	002-5717-00	\$1.00
39	Consult	Collar spacer	1	005-4424-0	\$1.00
40	Consult	Spring, coil, tension	1	028-4951-03	\$12.00
41	104239	Photo interrupter, transmitter, seal heater cover up/down (B20)	1	070-5204-14	\$9.00
42	153653	Washer, thrust	4	073-7143-10	\$6.00
43	153656	O-ring	4	015-8919-07	\$2.00
44	Consult	Block B, link	1	076-1833-07	\$5.00
45	Consult	Plate B, discharge side	2	076-1950-00	\$2.00
46	Consult	Pin, link	1	073-7144-31	\$38.00
47	Consult	Roller, discharge	1	073-7146-20	\$32.00
48	Consult	Roller, discharge	2	073-7147-14	\$31.00
49	Consult	Cover, roller, lower	1	073-7148-27	\$38.00
50	Consult	Shaft, discharge, fulcrum	2	072-2437-00	\$17.00
52	Consult	L plate B, sensor, heater	1	073-7152-22	\$7.00
53	Consult	Bracket, solenoid	1	079-8933-03	\$45.00

Price and availability confirmation recommended

An ISO 9001 Registered Company © 2020 Rice Lake Weighing Systems 04/01/20 Prices and specifications subject to change without notice. Visit ricelake.com for current prices.

RICE LAKE
WEIGHING SYSTEMS

Discontinued Products

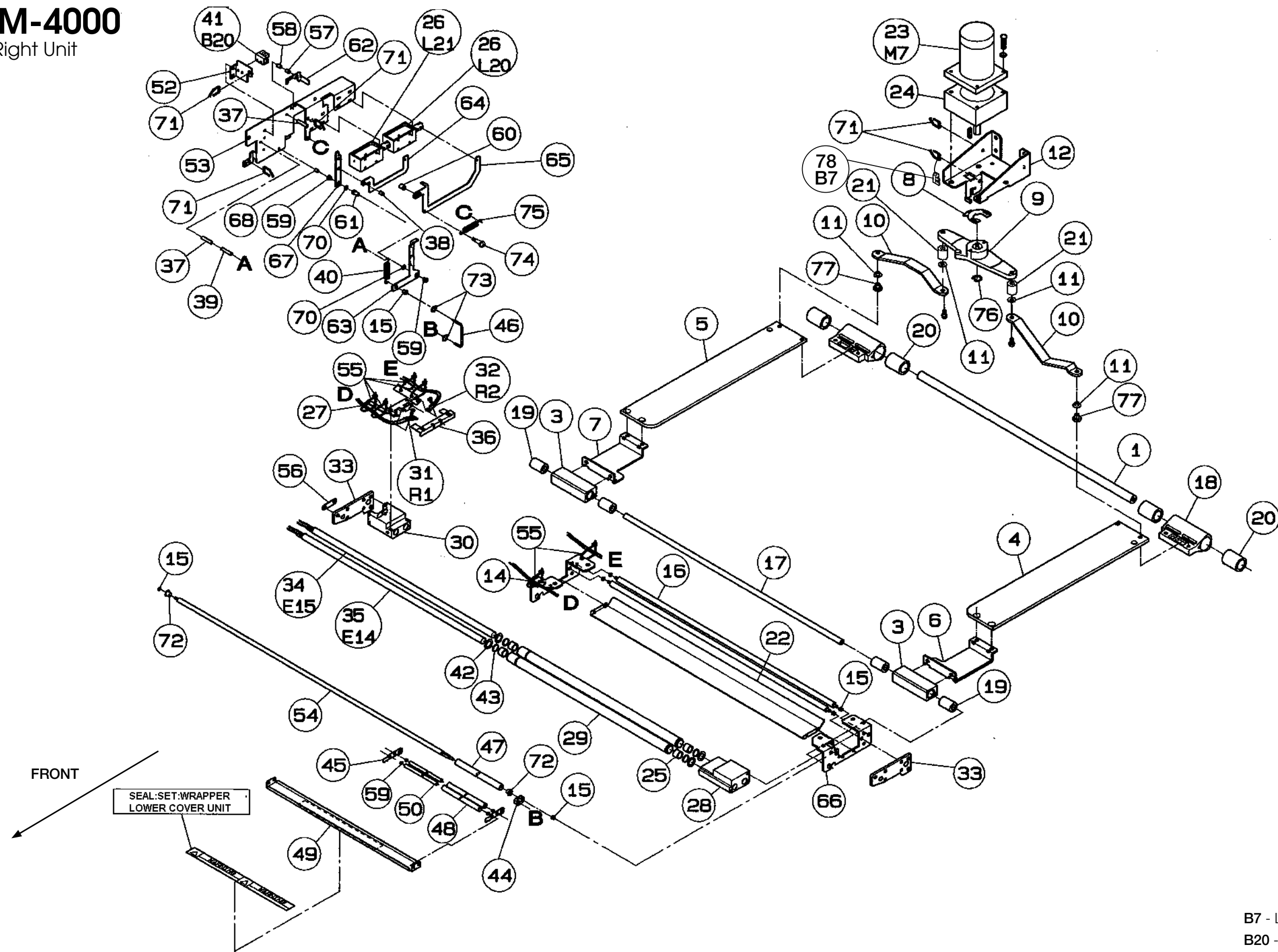
Wrapping Left/Right Unit

Part Number/Price

REF #	PART #	DESCRIPTION	QTY	SYNONYM	PRICE
54	Consult	Shaft, discharge, fulcrum	1	073-7149-02	\$69.00
55	Consult	Accessory, band, tie	6	059-8213-07	\$4.00
56	Consult	Plate A ground	1	072-2438-12	\$4.00
57	Consult	Collar spacer	1	034-2339-06	\$1.00
58	Consult	Collar spacer	1	005-2408-00	\$1.00
59	78083	Bush	6	037-4818-02	\$3.00
60	Consult	Spacer, solenoid	1	073-7471-02	\$7.00
61	Consult	Spacer, link	1	073-7472-24	\$8.00
62	Consult	L plate B, lock, arm	1	073-7473-46	\$10.00
63	Consult	Link, pin	1	073-7475-25	\$8.00
64	Consult	Link, solenoid	1	073-7476-01	\$12.00
65	Consult	Link, solenoid	1	073-7477-13	\$23.00
66	Consult	Frame, heater, fold	1	073-7479-20	\$12.00
67	Consult	Link, solenoid	1	073-7481-00	\$5.00
68	Consult	Collar, fulcrum	1	073-7500-25	\$5.00
70	Consult	Plain washer, M8 flat SST	2	000-0146-01	\$1.00
71	Consult	Accessory, clamp, LWS clamp	5	073-7212-04	\$1.00
72	Consult	Bush	2	076-1844-08	\$2.00
73	Consult	Grip ring	2	014-8692-05	\$1.00
74	Consult	Step screw, round, 4 x 12.5 M3X4	1	000-6171-24	\$3.00
75	Consult	Spring, coil, tension	1	016-3614-01	\$1.00
76	Consult	C-ring, for hole	1	090-0841-08	\$1.00
77	Consult	Collar	2	098-3146-01	\$5.00
78	104239	Photo interrupter, transmitter, home position (B7)	1	070-5204-14	\$9.00

Ishida WM-4000

Wrapping Left/Right Unit



Discharge Push Unit

Part Number/Price

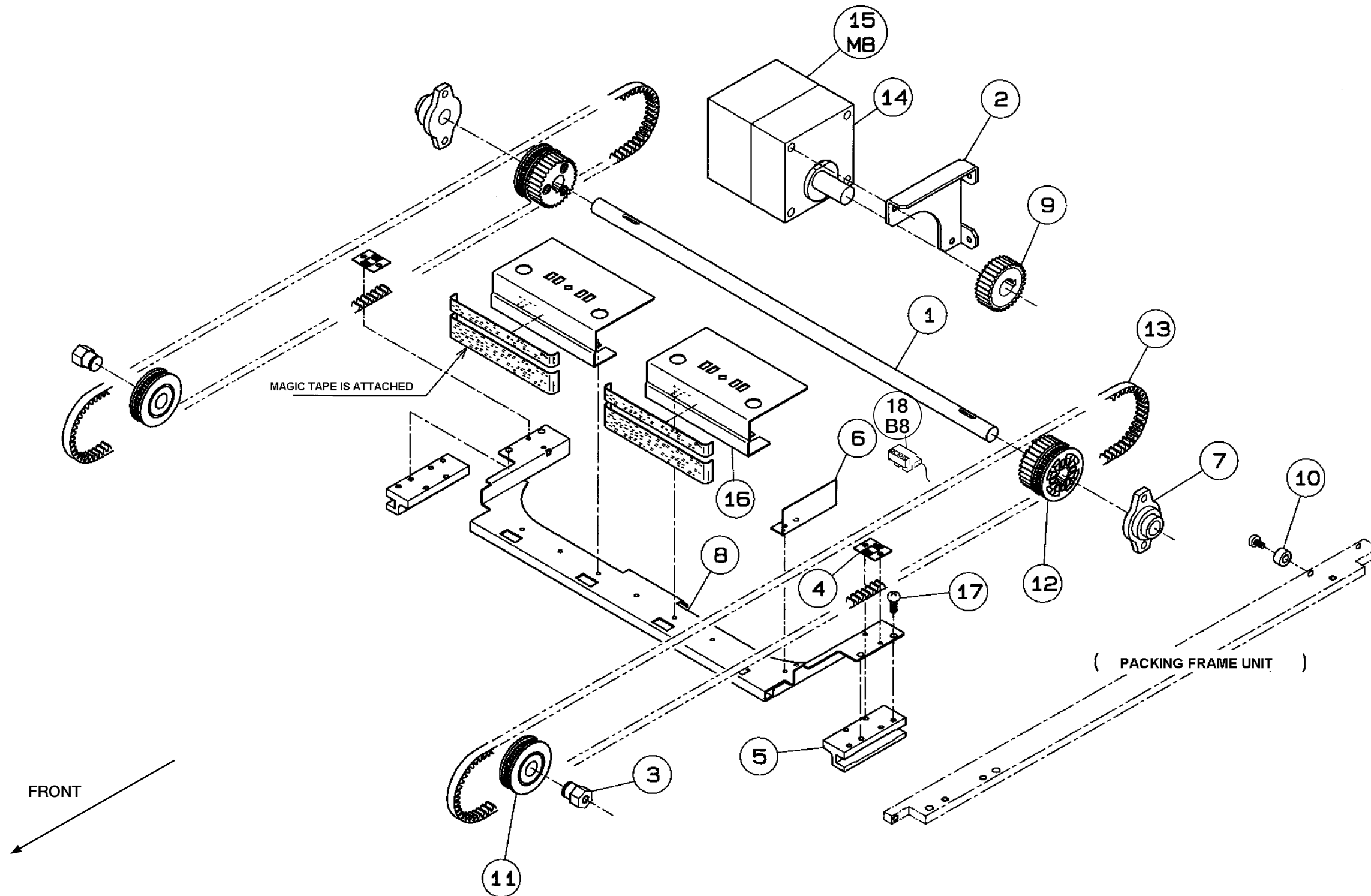
REF #	PART #	DESCRIPTION	QTY	SYNONYM	PRICE
1	Consult	Shaft, drive, pusher	1	069-2339-28	\$72.00
2	Consult	Bracket, motor, pusher BR	1	070-5318-15	\$38.00
3	Consult	Shaft, step, pusher	2	069-2344-27	\$11.00
4	Consult	Plate B, belt, pusher	2	090-0996-01	\$2.00
5	Consult	Block B, slide, pusher	2	076-3393-11	\$12.00
6	Consult	L plate B, sensor plate, pusher	1	072-2215-00	\$7.00
7	Consult	Bearing unit, flange	2	070-1132-06	\$23.00
8	Consult	Pusher, packing	1	072-2495-33	\$82.00
9	161702	Gear, flat	1	045-3876-00	\$19.00
10	Consult	Collar, stopper	4	090-0963-09	\$2.00
11	Consult	Timing pulley, S5M, AF	2	046-2326-11	\$20.00
12	Consult	Pulley assy, wrapping	2	048-3920-02	\$35.00
13	72876	Timing belt, S5M	2	045-4372-03	\$36.00
14	Consult	Gear head	1	056-2722-02	\$190.00
15	Consult	Motor, DC brushless with brake (M8)	1	073-7451-08	\$289.00
16	Consult	Bracket, pusher	2	073-7272-26	\$27.00
17	Consult	Tapping screw, pan head	4	076-9624-04	\$1.00
—	106949	Black grip tape, magic tape	1		\$5.00
18	104239	Photo interrupter, transmitter, home position (B8)	1	070-5204-14	\$9.00

Price and availability confirmation recommended

An ISO 9001 Registered Company © 2020 Rice Lake Weighing Systems 04/01/20 Prices and specifications subject to change without notice. Visit ricelake.com for current prices.

Ishida WM-4000

Discharge Push Unit



B8 - Discharge pusher home position

ISHIDA WM-4000

Tray Press Unit

Part Number/Price

REF #	PART #	DESCRIPTION	QTY	SYNONYM	PRICE
1	161723	Link assy, tray press	1	072-2471-16	\$153.00
2	Consult	Bracket, roller, tray press	1	090-0969-01	\$8.00
3	Consult	U plate B, press roller	1	090-0997-05	\$4.00
4	Consult	Roller, tray press	5	090-0964-02	\$2.00
5	Consult	Roller, tray press	5	072-2154-15	\$6.00
6	Consult	Pin, roller, tray press	5	090-0968-07	\$5.00
7	161701	Gear, tray press	1	073-7245-07	\$58.00
8	Consult	Bearing, radial, flange	1	006-8475-09	\$11.00
9	Consult	Bracket, drive, tray press	2	079-3176-21	\$13.00
10	Consult	Motor assy tray press (M14)	1	090-0788-03	\$187.00
11	Consult	Frame, tray press	1	079-3494-34	\$101.00
12	Consult	Sheet, tray press	1	093-5079-06	\$29.00
13	Consult	Sheet, tray press	1	093-5080-01	\$29.00

Discontinued Products

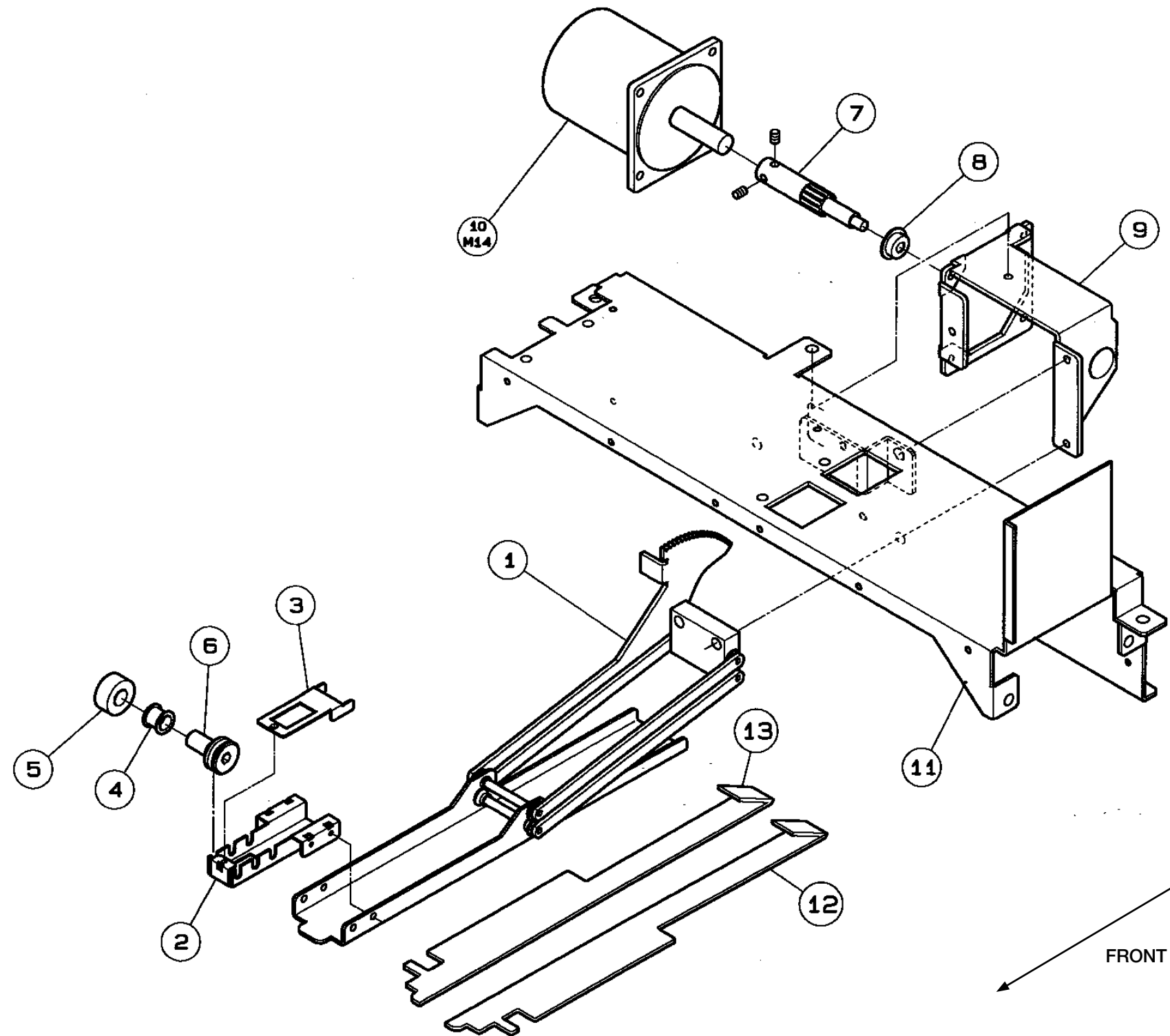
Price and availability confirmation recommended

An ISO 9001 Registered Company © 2020 Rice Lake Weighing Systems 04/01/20 Prices and specifications subject to change without notice. Visit ricelake.com for current prices.



Ishida WM-4000

Tray Press Unit



Printer Frame Unit

Part Number/Price

REF #	PART #	DESCRIPTION	QTY	SYNONYM	PRICE
1	Consult	Base, printer, top plate	1	077-4992-50	\$158.00
2	Consult	Frame, applicator base, right	1	078-0757-53	\$65.00
3	Consult	Frame, applicator base, left	1	078-0758-66	\$65.00
5	72899	Switch, push, emergency stop (S5)	1	064-9296-02	\$65.00
9	Consult	Accessory, clamp, LWS clam	3	073-7214-01	\$1.00
10	152168	Photo, interrupter, transmitter, safety, printer door (B62)	1	072-2099-04	\$14.00
11	152169	Photo, interrupter, receiver, safety, printer door (B63)	1	072-2100-05	\$24.00
12	Consult	Accessory, clamp, LWS clam	2	073-7212-04	\$1.00
13	Consult	L plate, cover	1	106-6655-09	\$65.00
14	Consult	Cover, printer, side	1	106-6656-02	\$183.00

Discontinued Products

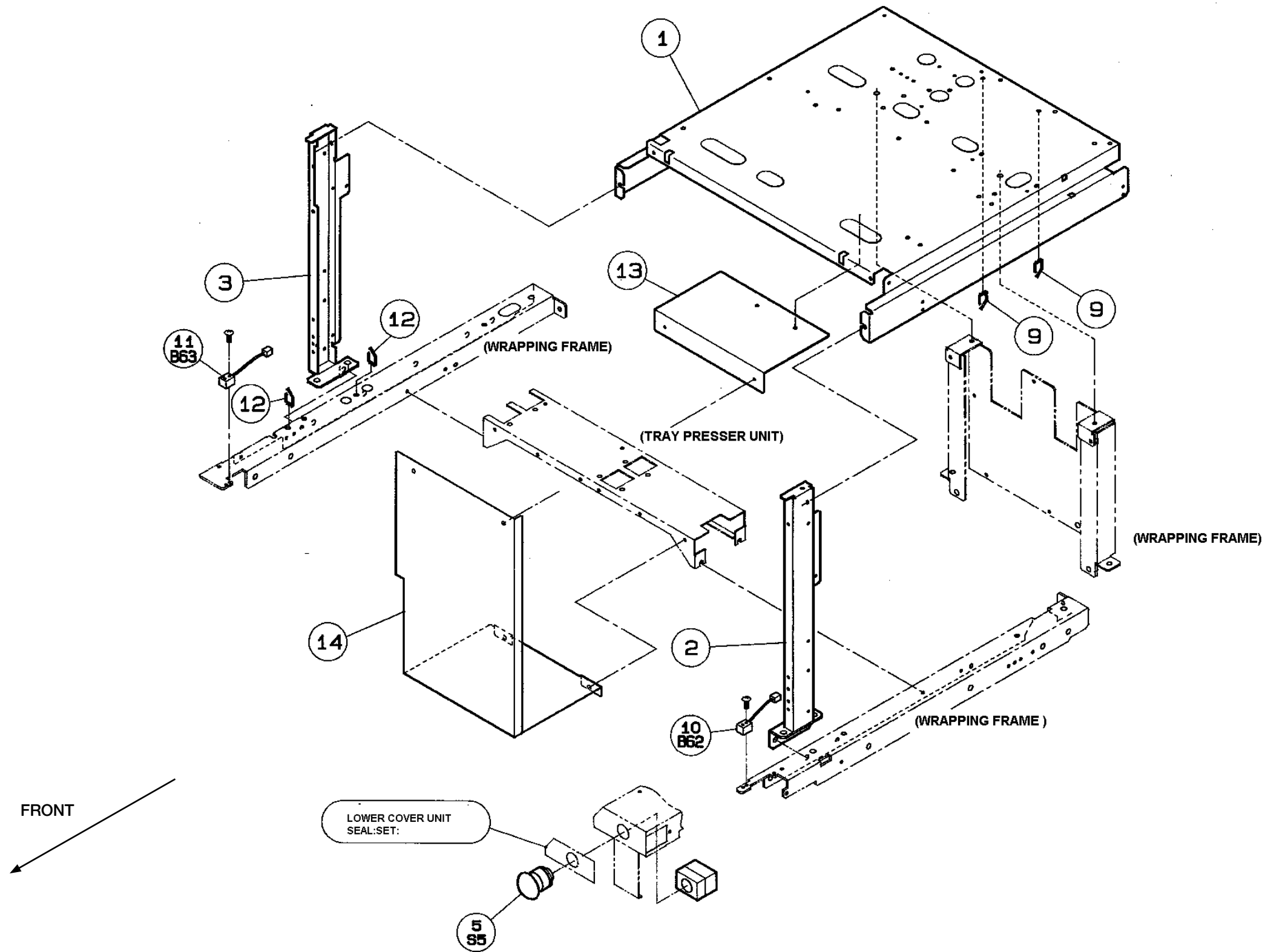
Price and availability confirmation recommended

An ISO 9001 Registered Company © 2020 Rice Lake Weighing Systems 04/01/20 Prices and specifications subject to change without notice. Visit ricelake.com for current prices.



Ishida WM-4000

Printer Frame Unit



B62 - Printer door safety, transmitter
 B63 - Printer door safety, receiver

Applicator Unit, Fixed

Part Number/Price

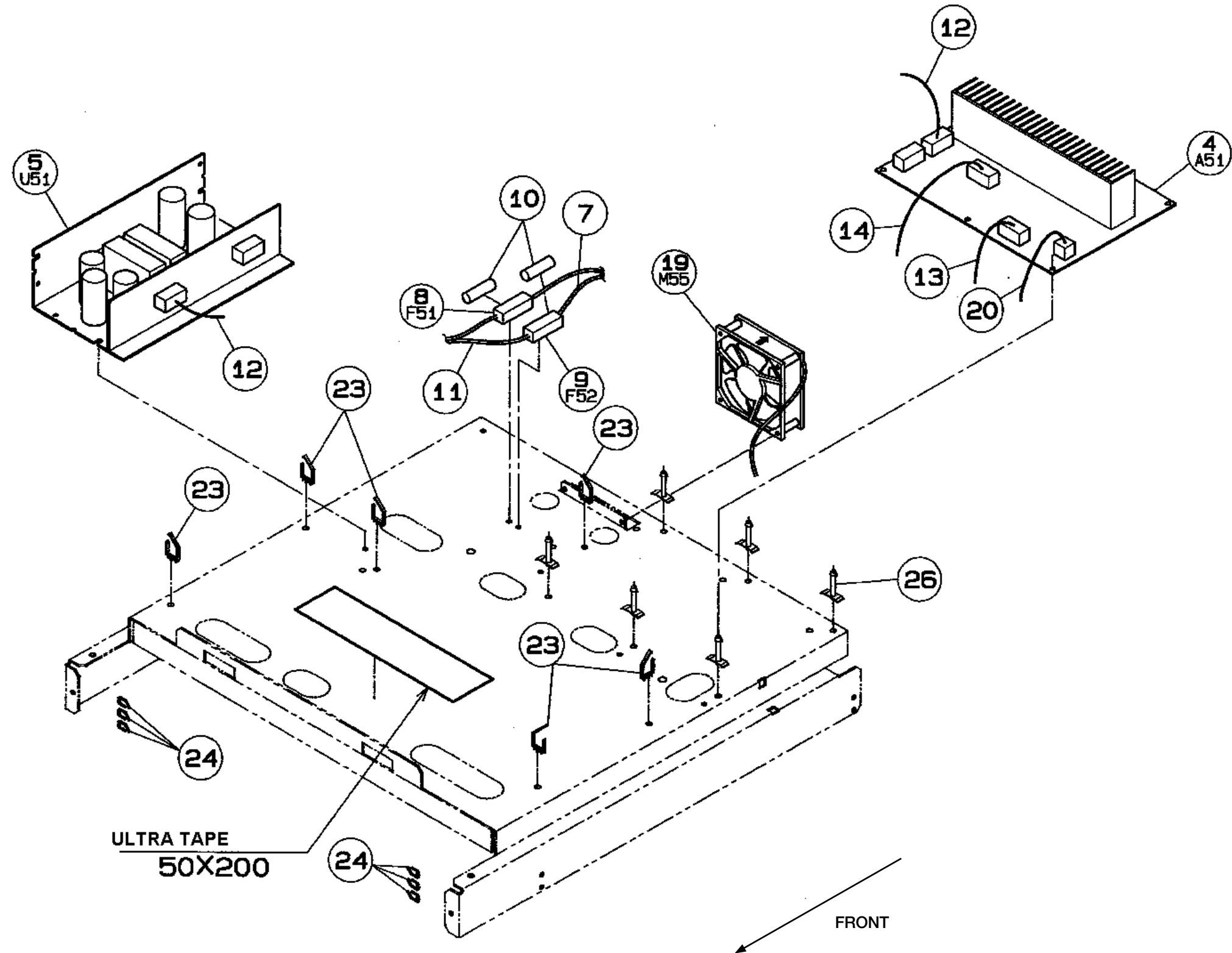
REF #	PART #	DESCRIPTION	QTY	SYNONYM	PRICE
4	104230	PWB, P-916, C, applicator controller (A51)	1	093-1702-27	\$492.00
5	157897	Power supply, switching (U51)	1	110-7784-05	\$227.00
7	Consult	Harness, S4, PS AC	1	069-6543-35	\$11.00
8	72857	Fuse holder, terminal type	1	000-4119-04	\$9.00
9	72856	Fuse holder, terminal type	1	040-2724-07	\$9.00
10	99133	Fuse, glass tube, 250V 8A (F51, F52)	2	017-5713-01	\$2.00
11	Consult	Harness, C3, PS fuse	1	072-8555-26	\$8.00
12	Consult	Harness, S2, motor power	1	090-5392-01	\$10.00
13	Consult	Harness, C3, console if	1	072-8552-25	\$11.00
14	Consult	Harness, C5, EXT signal	1	090-5393-13	\$28.00
19	Consult	Fan assy (M55)	1	090-5391-07	\$65.00
20	Consult	Harness, C2, ground	1	072-2104-28	\$2.00
23	Consult	Accessory, clamp, LWS clamp	7	073-7214-01	\$1.00
24	Consult	Accessory, clamp, LWS clamp	6	073-7212-04	\$1.00
26	47027	PWB accessory, card spacer	6	000-1796-05	\$1.00

Price and availability confirmation recommended

An ISO 9001 Registered Company © 2020 Rice Lake Weighing Systems 04/01/20 Prices and specifications subject to change without notice. Visit ricelake.com for current prices.

Ishida WM-4000

Applicator Unit, Fixed



Applicator Unit, Moving

Part Number/Price

REF #	PART #	DESCRIPTION	QTY	SYNONYM	PRICE
1	103224	Cushion, applicator	1	103-3787-13	\$25.00
2	Consult	Cover, arm, harness	1	078-0763-29	\$6.00
3	Consult	Bracket, fan	1	103-3872-17	\$79.00
4	Consult	Shaft, joint	4	078-0786-15	\$4.00
5	Consult	Spring, coil, compressive	2	068-5127-10	\$4.00
6	Consult	Masking plate, Z, lower	1	078-0638-17	\$6.00
7	Consult	Block B, slide, applicator	1	077-4983-29	\$4.00
8	Consult	Bracket arm	1	078-0787-46	\$69.00
9	Consult	Threaded rod, round, FF	2	078-0639-11	\$7.00
10	Consult	Spring, coil, compressive	2	075-1084-07	\$4.00
11	Consult	Cover, applicator, Z	1	095-4278-01	\$25.00
12	116275	Bracket, sensor	1	078-0753-12	\$25.00
13	103223	Sheet	1	066-1916-03	\$5.00
14	Consult	Bearing radial, deep groove	2	057-0387-08	\$29.00
15	Consult	Timing pulley, XL	1	059-8296-42	\$28.00
16	Consult	Timing pulley, XL	1	059-8460-10	\$18.00
17	157889	Timing belt, XL, rotation, white	1	078-0759-05	\$7.00
18	Consult	Bracket rotation, lower	1	077-4777-19	\$41.00
19	116276	Spacer, fan	1	078-0635-16	\$1.00
20	Consult	Bracket, rotation, upper	1	077-4778-21	\$24.00
21	Consult	Bearing unit, linear, rolling	1	072-5427-21	\$311.00
22	Consult	Block B, holder, Z	1	077-4982-07	\$11.00
23	Consult	Shaft, slide	1	075-1082-00	\$27.00
24	48206	Bearing, linear bush, 121-5347-00	1	028-1516-05	\$29.00
25	Consult	Holder, belt	1	077-4780-39	\$8.00
26	Consult	L plate B, sensor, Z	1	078-0631-11	\$7.00
27	45229	Timing pulley, XL, AF	1	041-1527-03	\$11.50
28	117784	Timing belt, XL, up/down, white	1	030-8488-01	\$11.00
29	Consult	Bearing, radial, deep groove	8	094-2650-00	\$4.00
30	Consult	Bearing, radial	3	000-3622-08	\$13.00
31	157890	Timing belt, XL, front/back, white		021-3286-05	\$12.00
32	Consult	Shaft, slide	2	077-4775-30	\$22.00
33	Consult	Bearing, linear bush	2	069-4928-01	\$35.00
34	Consult	Holder, belt	3	068-5090-25	\$2.00
35	Consult	Holder, belt Y	1	078-0756-13	\$9.00
36	Consult	L plate A, detect plate, Y	1	077-4779-16	\$6.00
37	Consult	Housing, linear, Y	2	077-4981-03	\$38.00
38	Consult	Shaft, linear	2	077-4773-14	\$41.00
39	Consult	Detect plate, rotation, lower	1	078-0632-15	\$4.00
40	Consult	Detect plate, rotation, upper	1	078-0633-19	\$4.00
41	Consult	L plate B, stopper	1	078-0764-22	\$6.00
42	Consult	Cover, applicator, Z	1	103-3871-13	\$101.00
43	Consult	Housing, linear, X	1	077-4984-04	\$31.00
44	157900	Bearing, linear bush	4	069-4929-04	\$23.00
45	Consult	Timing pulley, XL, BF	1	076-1831-00	\$21.00
46	Consult	Shaft, bearing	3	078-0629-13	\$8.00

X-axis - right/left, Y-axis - front/back, Z-axis - up/down

Price and availability confirmation recommended

An ISO 9001 Registered Company © 2020 Rice Lake Weighing Systems 04/01/20 Prices and specifications subject to change without notice. Visit ricelake.com for current prices.

RICE LAKE
WEIGHING SYSTEMS

Discontinued Products

Applicator Unit, Moving

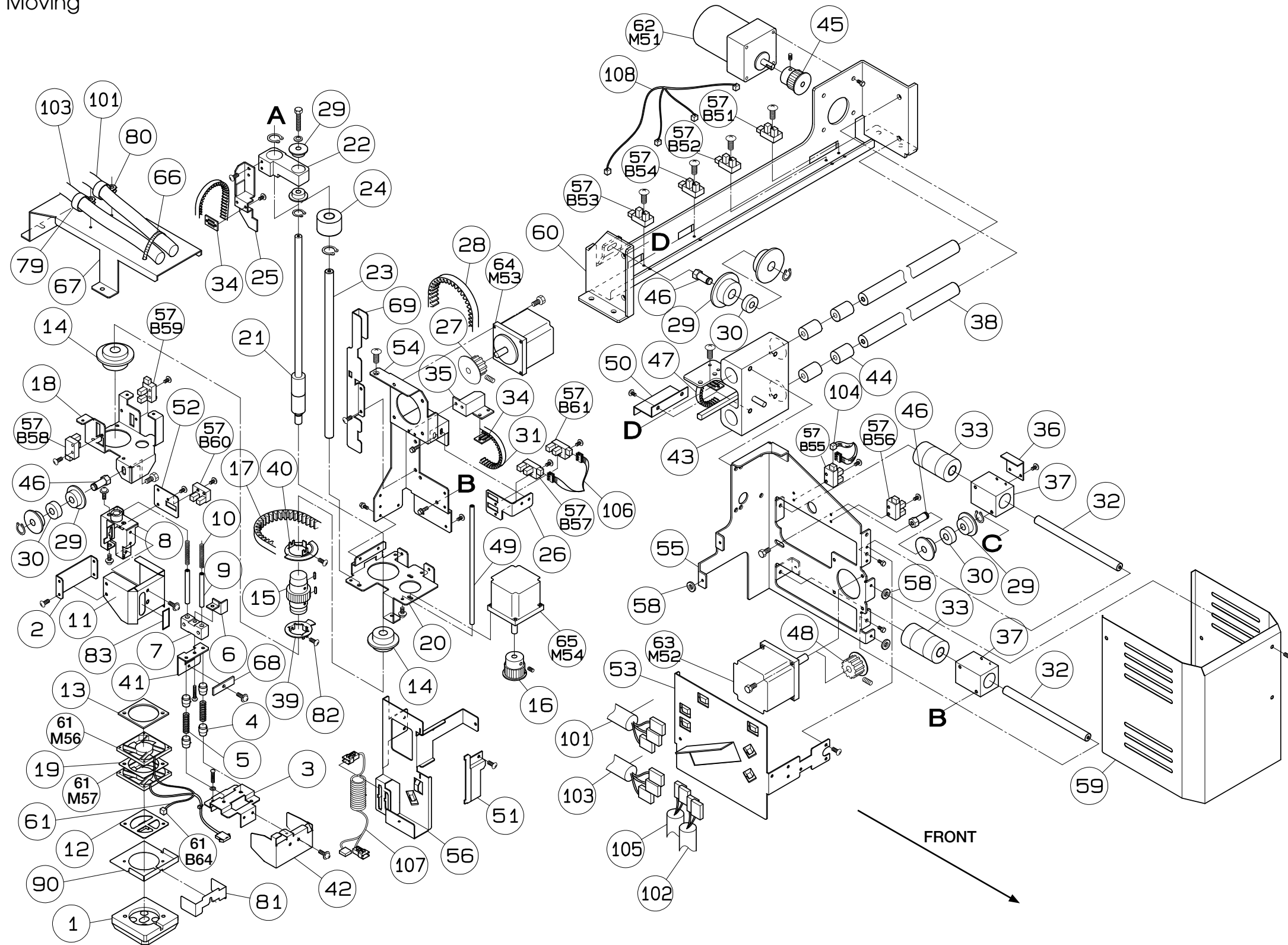
Part Number/Price

REF #	PART #	DESCRIPTION	QTY	SYNONYM	PRICE
47	Consult	Timing belt XL, right/left, black	1	078-0765-08	\$11.00
48	Consult	Timing pulley, XL, AF	1	077-4980-19	\$11.00
49	Consult	Threaded rod, round, FF	1	077-4774-09	\$8.00
50	Consult	Crank plate A, baffle plate	1	078-0634-12	\$10.00
51	Consult	Cover, harness	1	078-0640-15	\$18.00
52	Consult	Plate B, sensor	1	078-0630-18	\$5.00
53	Consult	Cover, harness	1	078-0641-19	\$25.00
54	Consult	Bracket, applicator, Y	1	078-0642-31	\$38.00
55	Consult	Bracket, applicator, X	1	078-0809-44	\$62.00
56	Consult	Cover, harness, Y	1	078-0643-25	\$33.00
57	104239	Photo interrupter, transmitter (B51~B61)	11	070-5204-14	\$9.00
58	Consult	Sheet	4	075-1075-12	\$4.00
59	Consult	Cover, applicator	1	078-0755-56	\$45.00
60	Consult	Bracket, applicator, X	1	077-4993-35	\$62.00
61	103221	Fan assy, suction (includes fans M56, M57 and sensor B64)	1	094-0414-28	\$136.00
62	162098	Motor assy, stepping, X (M51)	1	079-3002-08	\$191.00
63	162099	Motor assy, stepping, Y (M52)	1	079-3003-11	\$75.00
64	162100	Motor assy, stepping, Z (M53)	1	077-0000-14	\$90.00
65	162101	Motor assy, stepping, rotation (M54)	1	079-3001-04	\$65.00
66	Consult	Accessory, band, fastener	12	000-1842-03	\$2.00
67	Consult	Bracket, wiring, applicator	1	077-4776-06	\$18.00
68	Consult	Insulator	1	075-1077-01	\$4.00
69	Consult	Cover, harness	1	078-0808-41	\$12.00
79	Consult	Accessory, clamp, nylon clamp	1	022-7032-08	\$1.00
80	Consult	Accessory, clamp, nylon clamp	1	034-0238-06	\$1.00
81	157901	Tape, sponge side	1	091-2126-02	\$11.00
82	Consult	Screw, plus bind, P3	4	091-2374-00	\$1.00
83	Consult	Tape, magic	1	095-4440-09	\$5.00
90	Consult	Bracket, fan	1	103-3870-10	\$65.00
101	Consult	Harness, C6, motor work X	1	079-3007-24	\$90.00
102	Consult	Harness, C4, motor work Y	1	079-3008-28	\$74.00
103	Consult	Harness, C8, sensor work X	1	079-3009-21	\$82.00
104	Consult	Harness, C3, sensor Y	1	079-3006-11	\$10.00
105	157902	Harness, C4, sensor work Y	1	079-3010-26	\$72.00
106	157903	Harness, C5, sensor Z rotation	1	079-3004-32	\$16.00
107	114160	Harness, C3, sensor work Z	1	079-1443-28	\$98.00
108	Consult	Harness, C6, sensor X	1	079-3005-18	\$21.00

X-axis - right/left, Y-axis - front/back, Z-axis - up/down

Ishida WM-4000

Applicator Unit, Moving



- B51 - Right/left (X-axis), right position
- B52 - Right/left (X-axis), printer #1 pickup position
- B53 - Right/left (X-axis), printer #2 pickup position
- B54 - Right/left (X-axis), left position
- B55 - Front/back (Y-axis), rear position
- B56 - Front/back (Y-axis), front position
- B57 - Up/down (Z-axis), middle position
- B58 - Rotation (O-axis), left
- B59 - Rotation (O-axis), right
- B60 - Applicator head tray contact
- B61 - Up/down (Z-axis), upper position
- B64 - Label pickup confirmation

X-axis - right/left, Y-axis - front/back, Z-axis - up/down

Discharge Conveyor Unit and Camera

Part Number/Price

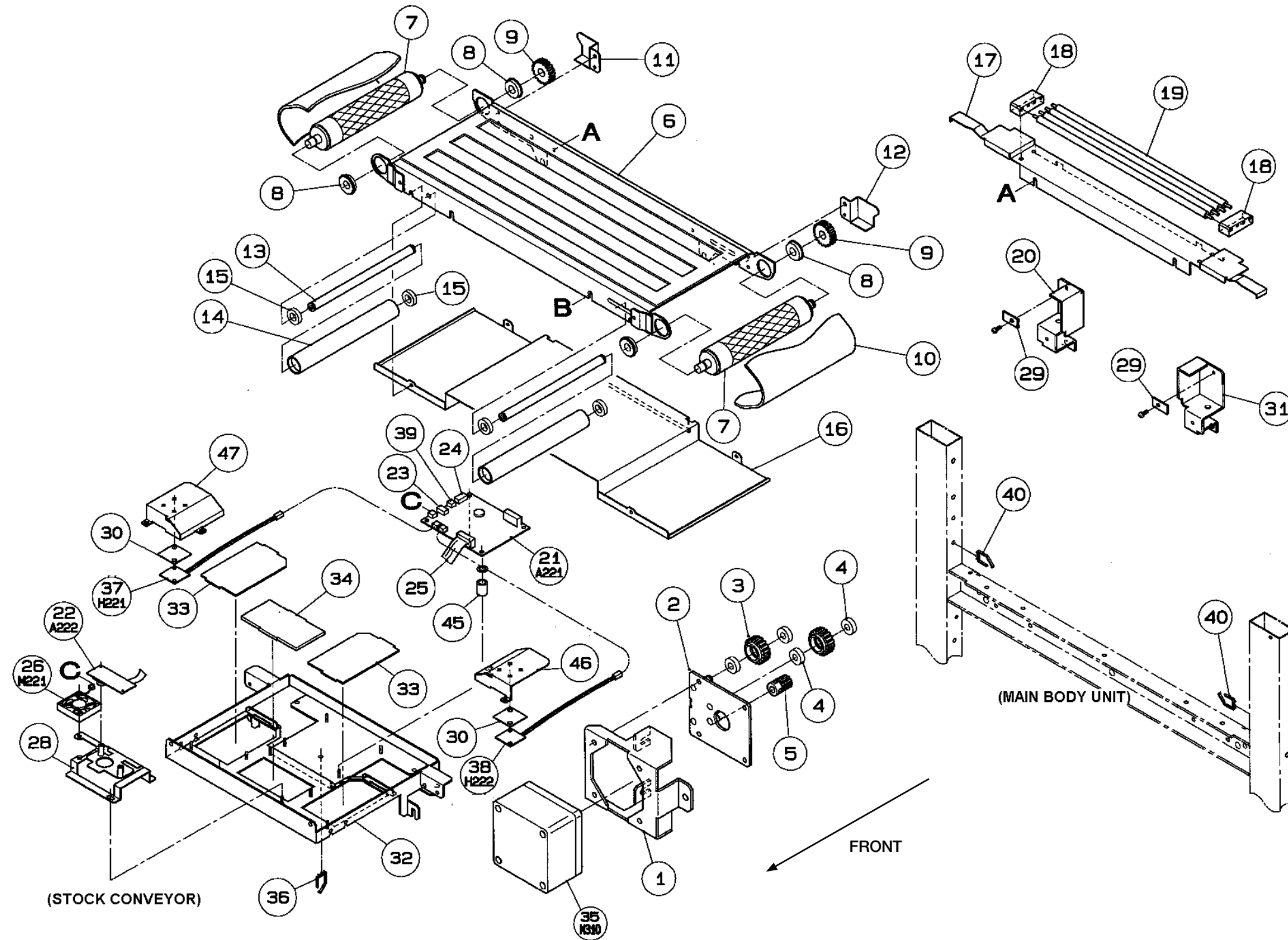
REF #	PART #	DESCRIPTION	QTY	SYNONYM	PRICE
1	Consult	Bracket, motor	1	076-1717-35	\$45.00
2	Consult	Base, gear	1	076-1716-31	\$90.00
3	Consult	Gear, flat	2	076-1715-29	\$38.00
4	Consult	Bearing, radial	4	001-2465-03	\$7.00
5	Consult	Gear, flat	1	076-1718-01	\$33.00
6	Consult	Frame, conveyor, upper	1	076-1977-55	\$277.00
7	Consult	Roller, drive	2	076-1742-39	\$126.00
8	160748	Bearing, radial, deep groove	4	094-2649-05	\$6.00
9	Consult	Gear, flat	2	076-1713-31	\$38.00
10	Consult	Flat belt finger joint	1	076-1710-21	\$418.00
11	Consult	Cover, gear	1	076-1998-26	\$16.00
12	Consult	Cover, gear	1	076-1999-20	\$16.00
13	Consult	Shaft, pulley tension	2	076-1714-16	\$13.00
14	Consult	Roller, tension	2	103-3674-16	\$77.00
15	52622	Bearing, radial, deep groove	4	003-6982-01	\$29.00
16	Consult	Cover, PWB, camera	1	076-1973-32	\$82.00
17	Consult	Cover, conveyor, rear	1	076-1971-44	\$72.00
18	Consult	Bracket, roller	2	076-1972-20	\$58.00
19	Consult	Shaft, step, camera	4	070-1225-18	\$19.00
20	Consult	Supporter, cover, discharge	1	090-0773-17	\$32.00
21	157904	PWB, P-1007A, camera controller (A221)	1	111-8352-38	\$325.00
22	157918	Camera, CMOS, color (A222)	1	086-7298-14	\$300.00
23	Consult	Harness, S2, 24V	1	112-6690-00	\$14.00
24	Consult	Harness, C2, RS485	1	113-7329-05	\$10.00
25	Consult	Harness, S2, FPC	1	086-7314-01	\$3.00
26	Consult	Fan assy (M221)	1	111-8421-04	\$55.00
28	Consult	Bracket, camera	1	113-7213-07	\$96.00
29	Consult	Plate A, interference	2	076-1711-06	\$4.00
30	Consult	Sheet, thermo	2	086-7211-11	\$2.00
31	Consult	Supporter, cover, discharge	1	090-0772-13	\$32.00
32	Consult	Frame, conveyor, lower	1	113-7212-03	\$209.00
33	164484	Plate B, filter, LED	2	113-7208-08	\$27.00
34	164487	Plate B, filter, camera	1	113-7207-04	\$35.00
35	192474	Motor, DC brushless (M310)	1	076-9513-04	\$202.00
36	Consult	Accessory, clamp, LWS clamp	1	073-7215-05	\$1.00
37	Consult	LED assy (H221)	1	111-8350-12	\$72.00
38	Consult	LED assy (H222)	1	111-8351-16	\$72.00
39	Consult	Harness, S1, short	1	112-6680-11	\$6.00
40	Consult	Accessory, clamp, LWS clamp	2	073-7214-01	\$1.00
45	Consult	Collar, spacer	4	000-9537-06	\$1.00
46	Consult	Cover, reflect	1	113-7210-06	\$48.00
47	Consult	Cover, reflect	1	113-7211-00	\$48.00
999	157861	Controller, motor, DC brushless (E310)	1	070-1420-09	\$223.00

Price and availability confirmation recommended

An ISO 9001 Registered Company © 2020 Rice Lake Weighing Systems 04/01/20 Prices and specifications subject to change without notice. Visit ricelake.com for current prices.

Ishida WM-4000

Discharge Conveyor Unit and Camera



Film Transport Unit, Right

Part Number/Price

REF #	PART #	DESCRIPTION	QTY	SYNONYM	PRICE
1	Consult	Frame, transfer, rear	1	090-0743-24	\$58.00
2	Consult	Frame, transfer, front	1	090-0740-32	\$79.00
3	Consult	Bracket, linear shaft, lower	1	090-0624-15	\$27.00
4	Consult	Bracket, linear shaft, rear	1	090-0666-02	\$32.00
5	Consult	Bracket, linear bush, front	1	090-0662-08	\$32.00
6	Consult	Shaft, linear, transfer	2	069-2270-16	\$24.00
7	Consult	Bearing, linear bush	4	070-1070-09	\$18.00
8	Consult	Housing, bush, slide	2	073-7230-11	\$21.00
9	Consult	Stay, slide	1	091-0544-27	\$88.00
10	Consult	Adapter, rod	1	069-2289-34	\$20.00
11	Consult	Holder, film, slide	1	090-0731-11	\$200.00
12	Consult	Guide, film insertion	1	072-2225-43	\$150.00
13	157885	Holder, film, door	1	090-0726-58	\$145.00
14	Consult	Guide, film, inserted door	1	072-2224-12	\$74.00
15	Consult	Name plate, operation	1	106-6693-01	\$30.00
16	Consult	Guide, film loading	1	090-0620-11	\$14.00
18	Consult	Shaft, clutch roller	1	069-2281-35	\$58.00
19	Consult	Clutch, one way	4	014-0221-05	\$19.00
20	84792	Bearing, radial, deep groove	4	051-4933-02	\$12.00
21	157887	Roller, clutch slider	2	073-7467-07	\$13.00
22	Consult	Detect plate, insertion, top and B	1	091-0501-09	\$2.00
23	Consult	Spring, coil, compressive	1	070-5176-04	\$79.00
25	Consult	Bush	2	063-5128-08	\$2.00
26	Consult	Roller insertion	1	069-2267-14	\$27.00
27	Consult	Cover, roll	1	090-0622-09	\$7.00
29	157853	Catch, push latch	1	070-1072-06	\$6.00
31	Consult	Hinge	2	013-7463-08	\$11.00
32	Consult	Bracket, support	1	090-0999-11	\$7.00
33	Consult	Bracket, support	1	090-1000-15	\$7.00
34	172968	Support assy cutter	1	090-0780-13	\$210.00
35	Consult	Pin, fulcrum, cutter	2	072-2385-19	\$9.00
37	78083	Bush	2	037-4818-02	\$3.00
38	Consult	Lever assy, cutter, front	1	090-0508-07	\$34.00
39	Consult	Lever assy, cutter rear	1	090-0511-09	\$34.00
42	Consult	Spring, coil, compressive	2	076-3329-03	\$2.00
43	74452	Hanger, spring	4	003-6479-04	\$4.00
44	Consult	Bracket, cutter	1	076-9850-19	\$38.00
45	157905	Cutter, saw teeth	1	076-9952-15	\$172.00
46	174449	Block B, cutter, hold	4	076-9824-21	\$4.00
47	Consult	Pin assy, cutter, hold	4	094-2628-07	\$6.00
48	Consult	Pin assy, cutter, upper	4	094-2629-01	\$6.00
49	174135	Spring, plate, cutter	2	091-0512-28	\$7.00
51	Consult	Rubber pad	2	052-4630-01	\$1.00
52	Consult	Bracket, sensor	1	090-0736-37	\$24.00
54	Consult	Bracket, sensor insertion	1	091-0526-01	\$9.00
55	Consult	Stay change	1	079-8938-57	\$69.00

Price and availability confirmation recommended

An ISO 9001 Registered Company © 2020 Rice Lake Weighing Systems 04/01/20 Prices and specifications subject to change without notice. Visit ricelake.com for current prices.

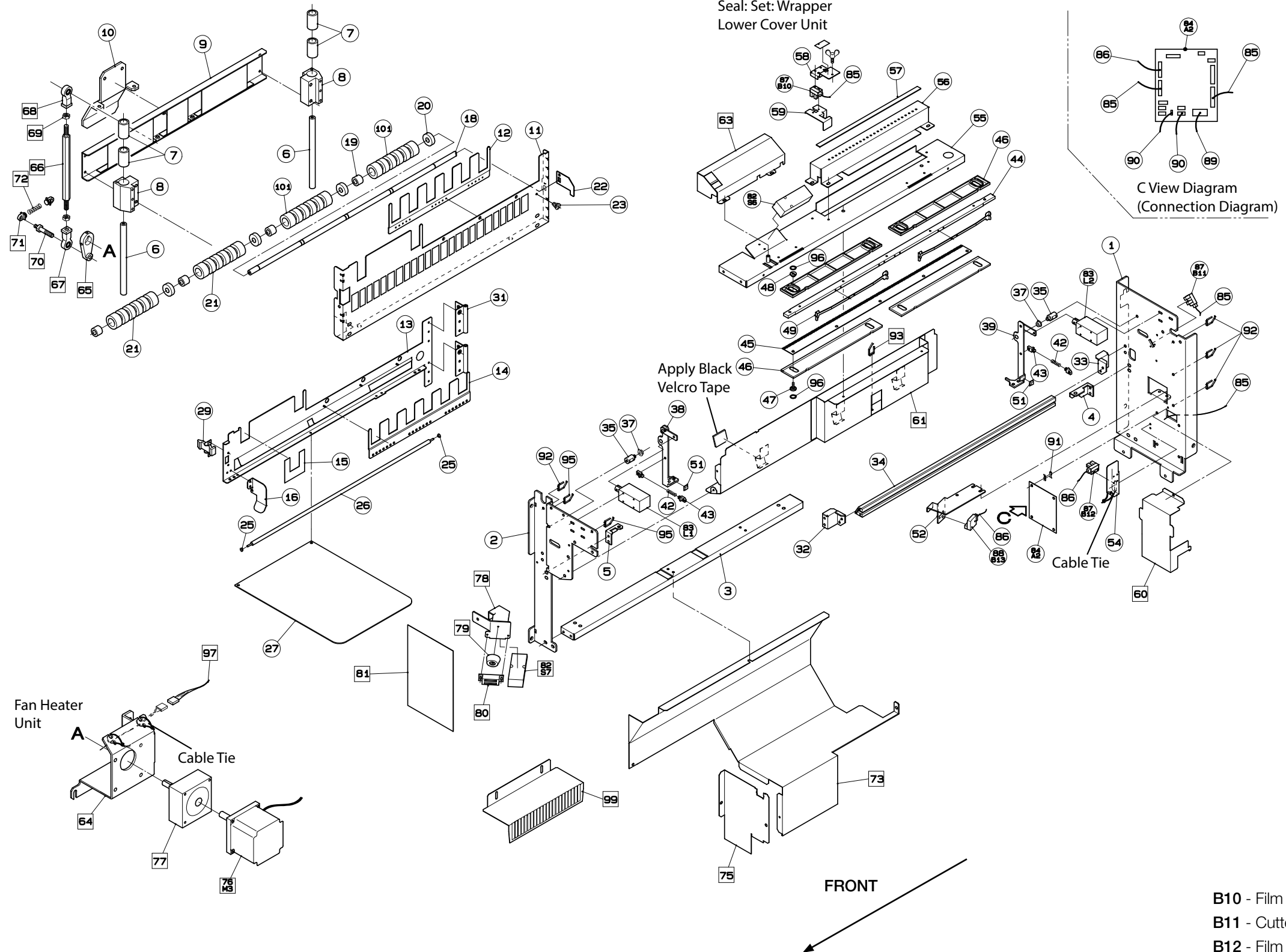
Film Transport Unit, Right

Part Number/Price

REF #	PART #	DESCRIPTION	QTY	SYNONYM	PRICE
56	Consult	Guide, sensor	1	091-0556-03	\$35.00
57	Consult	Name plate, scale film	1	073-7112-05	\$6.00
58	Consult	Bracket sensor	1	091-0551-05	\$24.00
59	Consult	Holder, sensor, insertion	1	073-7154-11	\$11.00
60	Consult	Cover, PWB, transport	1	090-0733-27	\$19.00
61	Consult	Cover, loading	1	090-0750-02	\$85.00
63	Consult	Cover, film transport upper	1	091-2103-16	\$23.00
64	Consult	Bracket, motor, insert	1	079-8927-29	\$24.00
65	Consult	Lever, drive, hand-over	1	076-1777-01	\$16.00
66	Consult	Threaded rod, turnbuckle, MM	1	069-2284-36	\$22.00
67	Consult	Rod end, type I, F	1	000-3739-00	\$35.00
68	Consult	Rod end, type I, F	1	016-8825-08	\$35.00
69	Consult	Hex nut, T1, left-handed thread	1	000-0111-01	\$2.00
70	Consult	Pin, hanger, spring	1	070-1327-32	\$12.00
71	Consult	Hanger, spring	2	011-5180-11	\$2.00
72	Consult	Spring, coil, compressive	1	070-1328-09	\$4.00
73	Consult	Cover, roll	1	090-0761-40	\$77.00
75	Consult	Cover, roll, front	1	090-0758-11	\$18.00
76	162943	Motor, DC brushless with brake (M3)	1	073-7450-04	\$289.00
77	Consult	Gear head	1	055-9082-01	\$216.00
78	Consult	Bracket switch	1	091-0519-14	\$19.00
79	Consult	Rubber pad	1	000-3965-05	\$2.00
80	Consult	Catch magnet	1	006-3205-01	\$7.00
81	Consult	Name plate, explanation	1	106-6696-01	\$28.00
82	157866	Switch, safety (film removal and side doors) (S6, S7)	2	111-8428-00	\$77.00
83	174136	Solenoid assy, cutter (L1, L2)	2	073-7081-03	\$28.00
84	157894	PWB, P-922, A-1 (A2)	1	068-9900-35	\$145.00
85	Consult	Harness, C6, film transfer R	1	070-9686-20	\$21.00
86	Consult	Harness, C3, film insertion R	1	090-0785-02	\$9.00
87	104239	Photo interrupter, transmitter (B10, B11, B12)	3	070-5204-14	\$9.00
88	157856	Photo interrupter, transmitter, insertion plate - open (B13)	1	070-5205-18	\$11.00
89	Consult	Harness, C2, ground	1	072-2104-28	\$2.00
90	Consult	Harness, C4, film transfer R	1	072-2251-22	\$26.00
91	47027	PWB accessory, card spacer	4	000-1796-05	\$1.00
92	Consult	Accessory, clamp, LWS clamp	4	073-7213-08	\$1.00
93	Consult	Accessory, clamp, LWS clamp	1	073-7214-01	\$1.00
95	Consult	Accessory, clamp, LWS clamp	2	073-7212-04	\$1.00
97	Consult	Harness, C3, fan heater R	1	073-7233-11	\$11.00
99	Consult	Cover, fan heater	1	073-7427-17	\$12.00
101	157886	Roller, clutch, slider	2	098-3477-13	\$28.00

Ishida WM-4000

Film Transport Unit, Right



- B10 - Film width detection
- B11 - Cutter home position
- B12 - Film insertion plate home position
- B13 - Film insertion plate open/closed

Film Transport Unit, Left

Part Number/Price

REF #	PART #	DESCRIPTION	QTY	SYNONYM	PRICE
1	Consult	Bracket, linear shaft, rear	1	090-0665-09	\$32.00
2	Consult	Bracket, linear, bush, front	1	090-0663-01	\$32.00
3	Consult	Shaft, linear, transfer	2	069-2270-16	\$24.00
4	Consult	Bearing, linear bush	4	070-1070-09	\$18.00
5	Consult	Housing, bush, slide	2	073-7230-11	\$21.00
6	Consult	Stay, slide	1	091-0544-27	\$88.00
7	Consult	Adapter, rod	1	069-2289-34	\$20.00
8	Consult	Holder, film slide	1	090-0732-14	\$200.00
9	Consult	Guide, film, insertion	1	072-2225-43	\$150.00
10	Consult	Holder, film, door	1	090-0727-51	\$145.00
11	Consult	Guide, film, inserted door	1	072-2224-12	\$74.00
12	Consult	Name plate, operation	1	106-6693-01	\$30.00
13	157852	Guide, film, loading	1	090-0621-14	\$6.00
15	Consult	Shaft, clutch, roller	1	069-2281-35	\$58.00
16	Consult	Clutch, one way	4	014-0221-05	\$19.00
17	84792	Bearing, radial, deep groove	4	051-4933-02	\$12.00
18	157887	Roller, clutch, slider	2	073-7467-07	\$13.00
19	Consult	Detect plate, insertion, top and B	1	091-0501-09	\$2.00
20	Consult	Spring, coil, compressive	1	070-5176-04	\$79.00
22	Consult	Bush	2	063-5128-08	\$2.00
23	Consult	Roller insertion	1	069-2267-14	\$27.00
24	Consult	Cover, roll	1	090-0622-09	\$7.00
26	157853	Catch, push latch	1	070-1072-06	\$6.00
28	Consult	Hinge	2	013-7463-08	\$11.00
29	Consult	Bracket, support	1	090-0999-11	\$7.00
30	Consult	Bracket, support	1	090-1000-15	\$7.00
31	172968	Support assy cutter	1	090-0780-13	\$210.00
32	Consult	Pin, fulcrum, cutter	2	072-2385-19	\$9.00
34	78083	Bush	2	037-4818-02	\$3.00
35	Consult	Lever assy, cutter, front	1	090-0509-01	\$34.00
36	Consult	Lever assy, cutter, rear	1	090-0512-02	\$34.00
39	Consult	Spring, coil, compressive	2	076-3329-03	\$2.00
40	74452	Hanger, spring	4	003-6479-04	\$4.00
41	Consult	Bracket, cutter	1	076-9850-19	\$38.00
42	157905	Cutter, sawtooth	1	076-9952-15	\$172.00
43	174449	Block B, cutter, hold	4	076-9824-21	\$4.00
44	Consult	Pin assy, cutter, hold	4	094-2628-07	\$6.00
45	Consult	Pin assy, cutter, upper	4	094-2629-01	\$6.00
47	174135	Spring, plate, cutter	2	091-0512-28	\$7.00
49	Consult	Rubber pad	2	052-4630-01	\$1.00
50	Consult	Bracket, sensor	1	090-0737-31	\$24.00
52	Consult	Bracket, sensor, insertion	1	091-0527-05	\$9.00
53	Consult	Guide, sensor	1	091-0557-07	\$35.00
54	Consult	Name plate, scale, film	1	073-7112-05	\$6.00
55	Consult	Bracket, sensor	1	091-0551-05	\$24.00
56	Consult	Holder, sensor, insertion	1	073-7155-14	\$11.00

Discontinued Products

Price and availability confirmation recommended

An ISO 9001 Registered Company © 2020 Rice Lake Weighing Systems 04/01/20 Prices and specifications subject to change without notice. Visit ricelake.com for current prices.



Film Transport Unit, Left

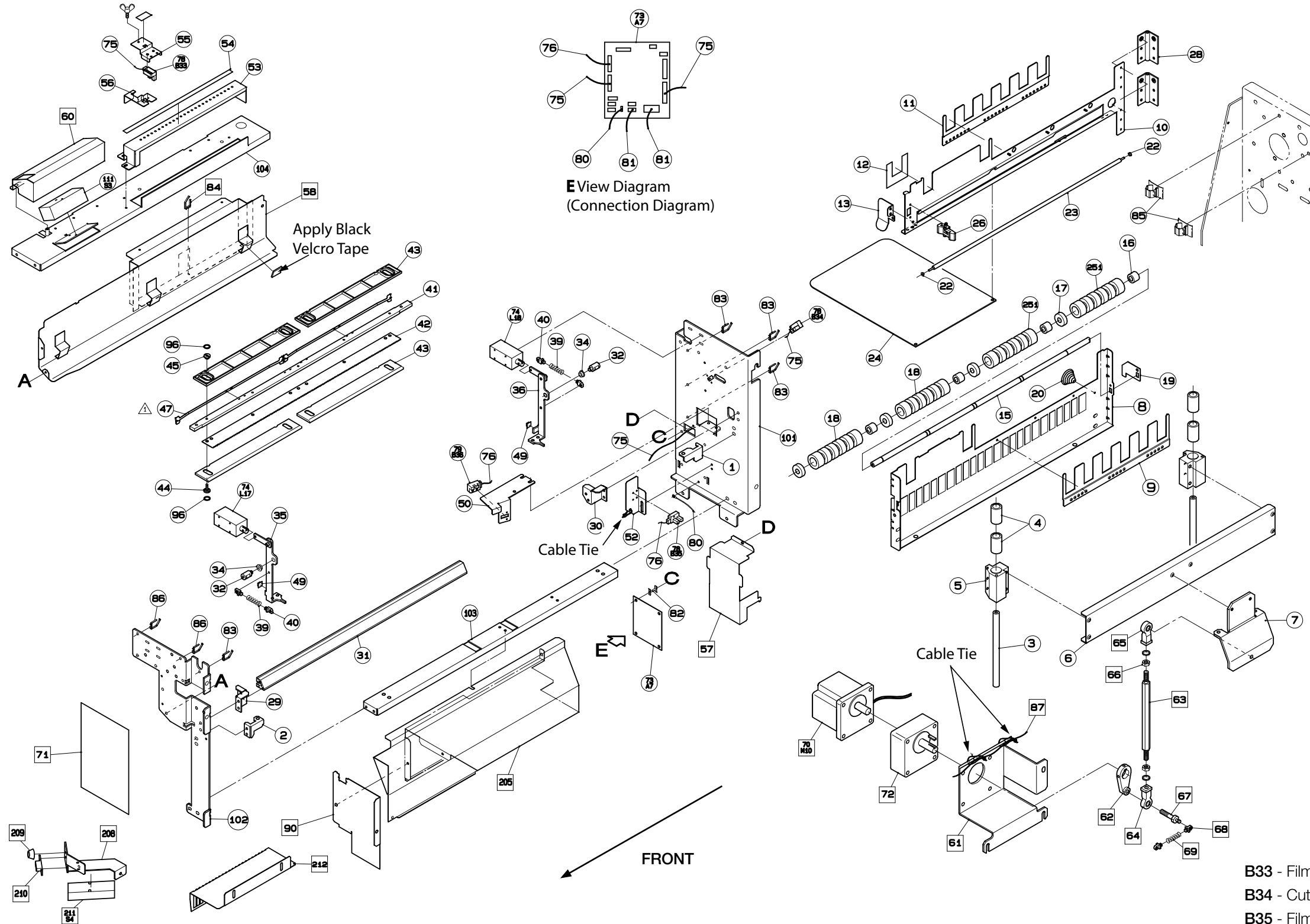
Part Number/Price

REF #	PART #	DESCRIPTION	QTY	SYNONYM	PRICE
57	Consult	Cover, PWB, transport	1	090-0733-27	\$19.00
58	Consult	Cover, loading	1	090-0751-06	\$85.00
60	Consult	Cover, film transport, upper	1	091-2104-10	\$23.00
61	Consult	Bracket, motor, insert	1	079-8928-22	\$24.00
62	Consult	Lever, drive, hand-over	1	076-1777-01	\$16.00
63	Consult	Threaded rod, turnbuckle, MM	1	069-2284-36	\$22.00
64	Consult	Rod end, type I, F	1	000-3739-00	\$35.00
65	Consult	Rod end, type I, F	1	016-8825-08	\$35.00
66	Consult	Hex nut, T1, left-handed thread	1	000-0111-01	\$2.00
67	Consult	Pin, hanger, spring	1	070-1327-32	\$12.00
68	Consult	Hanger, spring	2	011-5180-11	\$2.00
69	Consult	Spring, coil, compressive	1	070-1328-09	\$4.00
70	162943	Motor, DC brushless with brake (M10)	1	073-7450-04	\$289.00
71	Consult	Name plate, explanation	1	106-6697-05	\$28.00
72	Consult	Gear head	1	055-9082-01	\$216.00
73	157894	PWB, P-922A-1 (A7)	1	068-9900-35	\$145.00
74	174136	Solenoid assy, cutter (L17, L18)	2	073-7081-03	\$28.00
75	Consult	Harness, C6, film transfer L	1	072-2297-14	\$21.00
76	Consult	Harness, C3, film insertion L	1	090-0786-15	\$8.00
78	104239	Photo interrupter, transmitter (B33, B34, B35)	3	070-5204-14	\$9.00
79	157856	Photo interrupter, transmitter, insertion plate - open (B36)	1	070-5205-18	\$11.00
80	Consult	Harness, C2, ground	1	072-2104-28	\$2.00
81	Consult	Harness, C4, film transfer L	1	072-2252-26	\$34.00
82	47027	PWB accessory, card spacer	4	000-1796-05	\$1.00
83	Consult	Accessory, clamp, LWS clamp	4	073-7213-08	\$1.00
84	Consult	Accessory, clamp, LWS clamp	1	073-7214-01	\$1.00
85	Consult	Accessory, clamp, CKS clamp	2	052-4732-08	\$3.00
86	Consult	Accessory, clamp, LWS clamp	2	073-7212-04	\$1.00
87	Consult	Harness, C3, fan heater L	1	073-7237-16	\$11.00
90	Consult	Cover, roll, front	1	090-0759-14	\$18.00
101	Consult	Frame, transport, rear	1	090-0744-28	\$58.00
102	Consult	Frame, transport, front	1	090-0741-36	\$75.00
103	Consult	Bracket, linear shaft, lower	1	090-0624-15	\$27.00
104	Consult	Stay change	1	079-8939-51	\$69.00
111	157866	Switch, safety, film removal door (S3)	1	111-8428-00	\$77.00
205	Consult	Cover, roll	1	090-0762-43	\$77.00
208	Consult	Bracket, switch	1	091-0520-19	\$19.00
209	Consult	Rubber pad	1	000-3965-05	\$2.00
210	Consult	Catch, magnet	1	006-3205-01	\$7.00
211	157866	Switch, safety, side door (S4)	1	111-8428-00	\$77.00
212	Consult	Cover, fan heater	1	073-7427-17	\$12.00
251	157886	Roller, clutch, slider	2	098-3477-13	\$28.00

Ishida WM-4000

Film Transport Unit, Left

Seal: Set: Wrapper
Lower Cover Unit



- B33 - Film width detection
- B34 - Cutter home position
- B35 - Film insertion plate home position
- B36 - Film insertion plate open/closed

Feeder Movement Unit

Part Number/Price

REF #	PART #	DESCRIPTION	QTY	SYNONYM	PRICE
1	Consult	Frame, feeder move, front	1	090-0765-26	\$69.00
2	Consult	Frame, feeder move, rear	1	098-8178-09	\$75.00
3	Consult	Frame, feeder move, R	1	090-0728-37	\$79.00
4	Consult	Frame, feeder move, L	1	090-0729-21	\$69.00
5	Consult	Shaft, linear	2	069-2247-01	\$58.00
6	Consult	Housing, linear, feeder	4	076-1757-07	\$25.00
7	Consult	Bearing, linear bush	8	068-5133-03	\$30.00
8	Consult	Bracket, feeder, FR	1	072-2189-24	\$25.00
9	Consult	Bracket, feeder, FL	1	072-2187-36	\$25.00
10	Consult	Distance, feeder move, front	2	076-1920-08	\$2.00
11	Consult	Holder, timing belt, front	2	076-1919-03	\$2.00
12	Consult	Bracket, feeder, RR	1	072-2188-21	\$25.00
13	Consult	Bracket, feeder, RL	1	072-2186-41	\$25.00
14	Consult	Distance, feeder move, rear	2	076-1946-04	\$2.00
15	Consult	Holder, timing belt, rear	2	076-1918-00	\$2.00
16	Consult	Timing belt, S5M,	4	070-1253-03	\$23.00
17	Consult	Bearing, radial, deep groove	4	030-6368-00	\$24.00
18	Consult	Shaft, feeder move, rear	1	069-2217-36	\$72.00
19	Consult	Shaft, feeder move, front	1	069-2216-32	\$72.00
20	172550	Timing pulley, S5M, AF	6	073-7226-06	\$23.00
21	Consult	Timing belt, S5M	2	070-1076-01	\$21.00
23	Consult	Shaft, tension, front feeder	2	090-0674-02	\$14.00
24	Consult	Shaft, tension, rear feeder	2	090-0673-09	\$20.00
25	93622	Pulley, idler	1	045-3957-08	\$15.00
26	Consult	Timing pulley, S5M, AF	5	073-7221-08	\$22.00
27	47168	Bearing, radial, deep groove	10	000-3659-05	\$20.00
28	Consult	Bearing unit, pillow	2	004-4361-09	\$28.00
29	Consult	Collar spacer	4	000-0406-09	\$1.00
30	Consult	Shaft, drive, feeder	1	090-0685-03	\$74.00
31	Consult	Timing pulley, S5M, AF	1	073-7227-00	\$27.00
32	Consult	Timing belt, S5M	1	072-2277-01	\$28.00
33	157906	Timing belt, S5M	2	072-2278-04	\$31.00
34	Consult	Timing pulley, S5M	2	079-3500-06	\$6.00
36	Consult	Flange, feeder move	4	090-0783-05	\$5.00
37	Consult	Guide, pulley	1	090-0994-04	\$7.00
38	Consult	Guide, pulley	1	090-0993-01	\$7.00
39	Consult	Shaft, pulley, tension	2	069-2189-35	\$20.00
40	88649	Pulley, tension	2	048-3915-03	\$9.00
41	Consult	Detect plate, feeder move, rear	1	090-0684-28	\$16.00
42	Consult	Detect plate, feeder move, front	1	090-0683-33	\$15.00
43	Consult	Guide, harness, upper	1	070-5216-19	\$10.00
44	Consult	Guide, harness	1	090-0687-38	\$38.00
45	Consult	Rubber pad	4	052-4630-01	\$1.00
46	Consult	Bracket, PWB, feeder move	1	090-0681-27	\$26.00
47	Consult	Bracket, PWB, feeder move	1	090-0682-21	\$26.00
48	Consult	Cover, PWB, feeder move	1	090-0766-11	\$8.00
49	Consult	Cover, PWB, feeder move	1	090-0767-14	\$8.00
50	Consult	Bracket, motor, F drive	1	072-2090-01	\$35.00

Price and availability confirmation recommended

An ISO 9001 Registered Company © 2020 Rice Lake Weighing Systems 04/01/20 Prices and specifications subject to change without notice. Visit ricelake.com for current prices.

RICE LAKE
WEIGHING SYSTEMS

Discontinued Products

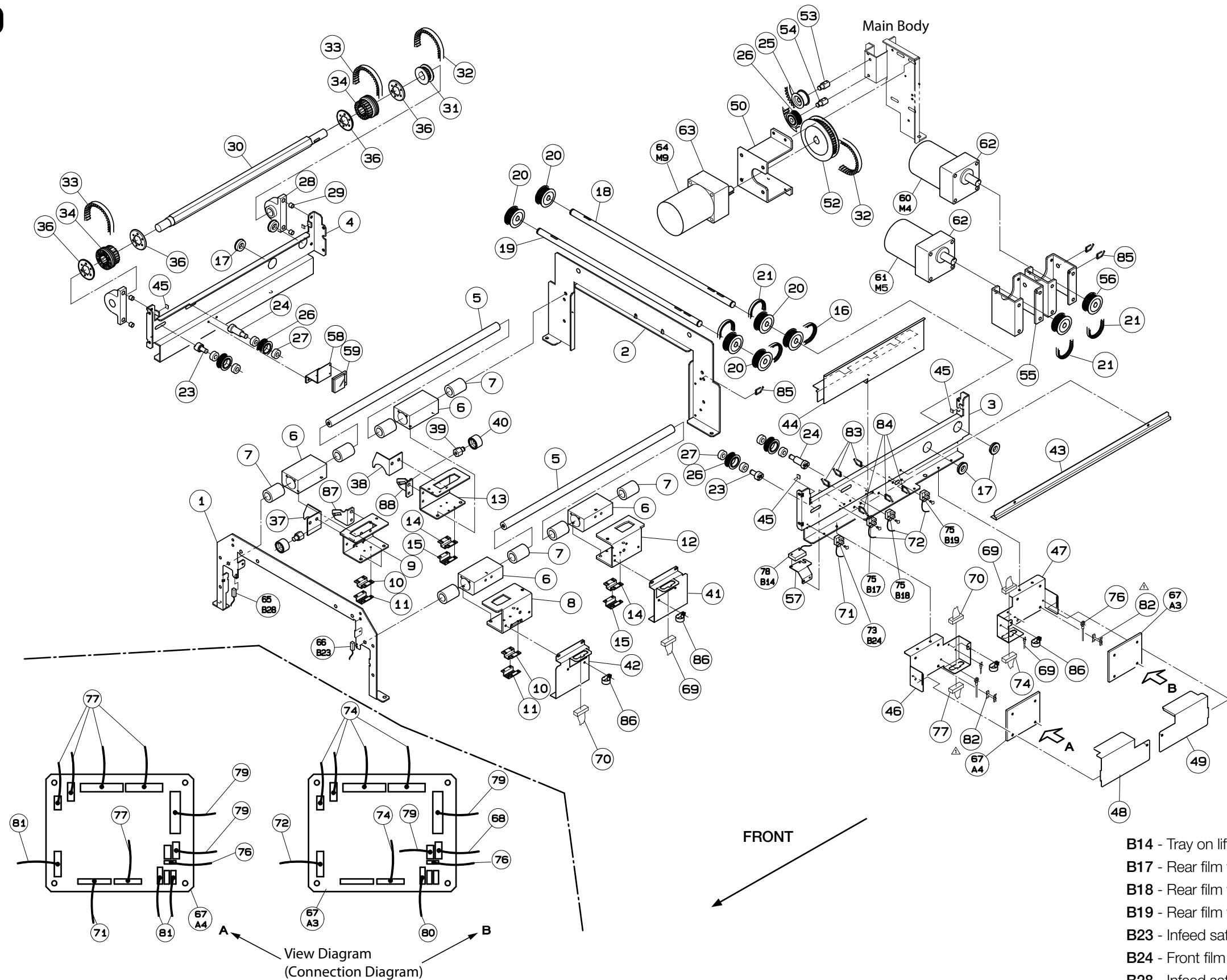
Feeder Movement Unit

Part Number/Price

REF #	PART #	DESCRIPTION	QTY	SYNONYM	PRICE
52	Consult	Timing pulley, S5M, AF	1	073-7228-03	\$41.00
53	Consult	Shaft, pulley, feeder drive	1	072-2085-02	\$14.00
54	Consult	Shaft pulley, feeder drive	1	072-2358-09	\$18.00
55	Consult	Bracket, motor, F move	2	090-0678-07	\$26.00
56	Consult	Timing pulley, S5M, AF	2	073-7225-02	\$22.00
57	Consult	Bracket, sensor, lift	1	090-0677-21	\$7.00
58	Consult	Bracket, reflector, lift	1	090-0686-25	\$10.00
59	172556	Reflector	1	073-7263-04	\$14.00
60	Consult	Motor, DC brushless, with brake, front feeder move (M4)	1	070-1422-06	\$282.00
61	191234	Motor, DC brushless, with brake, rear feeder move (M5)	1	070-1421-02	\$282.00
62	172557	Gear head	2	055-9082-01	\$193.00
63	Consult	Gear head	1	070-5252-04	\$134.00
64	173162	Motor, DC brushless, feeder drive (M9)	1	070-1424-03	\$184.00
65	152168	Photo, interrupter, emission, left infeed safety (B28)	1	072-2099-04	\$14.00
66	152169	Photo, interrupter, receive, right infeed safety (B23)	1	072-2100-05	\$24.00
67	157894	PWB, P-922 A-1 (A3, A4)	2	068-9900-35	\$145.00
68	Consult	Harness, C2, comm	1	069-6809-53	\$11.00
69	157919	Harness, C4, feeder move	1	071-4656-27	\$72.00
70	188870	Harness, C4, feeder move	1	072-2120-19	\$69.00
71	188871	Harness, C3, feeder move	1	071-4662-20	\$9.00
72	Consult	Harness, C4, feeder move	1	070-9688-18	\$13.00
73	104239	Photo interrupter, trans, front feeder home (B24)	1	070-5204-14	\$9.00
74	188872	Harness, C6, feeder rear	1	069-4560-31	\$25.00
75	157856	Photo interrupter, trans, rear feeder position (B17, B18, B19)	3	070-5205-18	\$11.00
76	Consult	Harness, C2, ground	2	072-2104-28	\$2.00
77	Consult	Harness, C6, feeder front	1	072-2234-10	\$21.00
78	157857	Sensor assy, lift, tray detect (B14)	1	072-2231-28	\$137.00
79	188873	Harness, C5, feeder move	1	072-2238-32	\$30.00
80	Consult	Harness, C2, lift	1	072-2294-13	\$6.00
81	Consult	Harness, C19, SW right	1	076-9878-21	\$38.00
82	47027	PWB accessory, card spacer	8	000-1796-05	\$1.00
83	Consult	Accessory, clamp, LWS clamp	3	073-7212-04	\$1.00
84	Consult	Accessory, clamp, LWS clamp	3	073-7213-08	\$1.00
85	Consult	Accessory, clamp, LWS clamp	3	073-7214-01	\$1.00
86	Consult	Accessory, clamp, nylon clamp	4	027-8515-00	\$1.00
87	Consult	Bracket, tension, F move	1	090-0990-00	\$9.00
88	Consult	Bracket, tension, F move	1	090-0991-03	\$9.00

Ishida WM-4000

Feeder Movement Unit



Film Roll Hold Unit

Part Number/Price

REF #	PART #	DESCRIPTION	QTY	SYNONYM	PRICE
1	Consult	Shaft, holder, roll	1	070-5013-29	\$6.00
3	Consult	Holder, roll, film	1	073-7229-07	\$38.00
4	Consult	Stopper, film, roll	1	070-5273-67	\$7.00
5	Consult	Bracket, holder, roll	1	091-0549-16	\$7.00
6	Consult	Guide, roll, film	3	070-5270-48	\$8.00
7	189283	Spring, roll	3	070-5268-31	\$4.00
8	189284	Spring, coil, compressive	1	053-8768-03	\$1.00
22	197051	Spring, coil, compressive	1	070-5032-39	\$20.00
23	Consult	Shaft, roll, film	1	070-5041-88	\$336.00
35	157854	Slide, roll assy	1	113-7266-04	\$126.00
36	Consult	Bolt, socket head hex, M4x10	2		Consult
—		Washer, split, M4	2		Consult

Discontinued Products

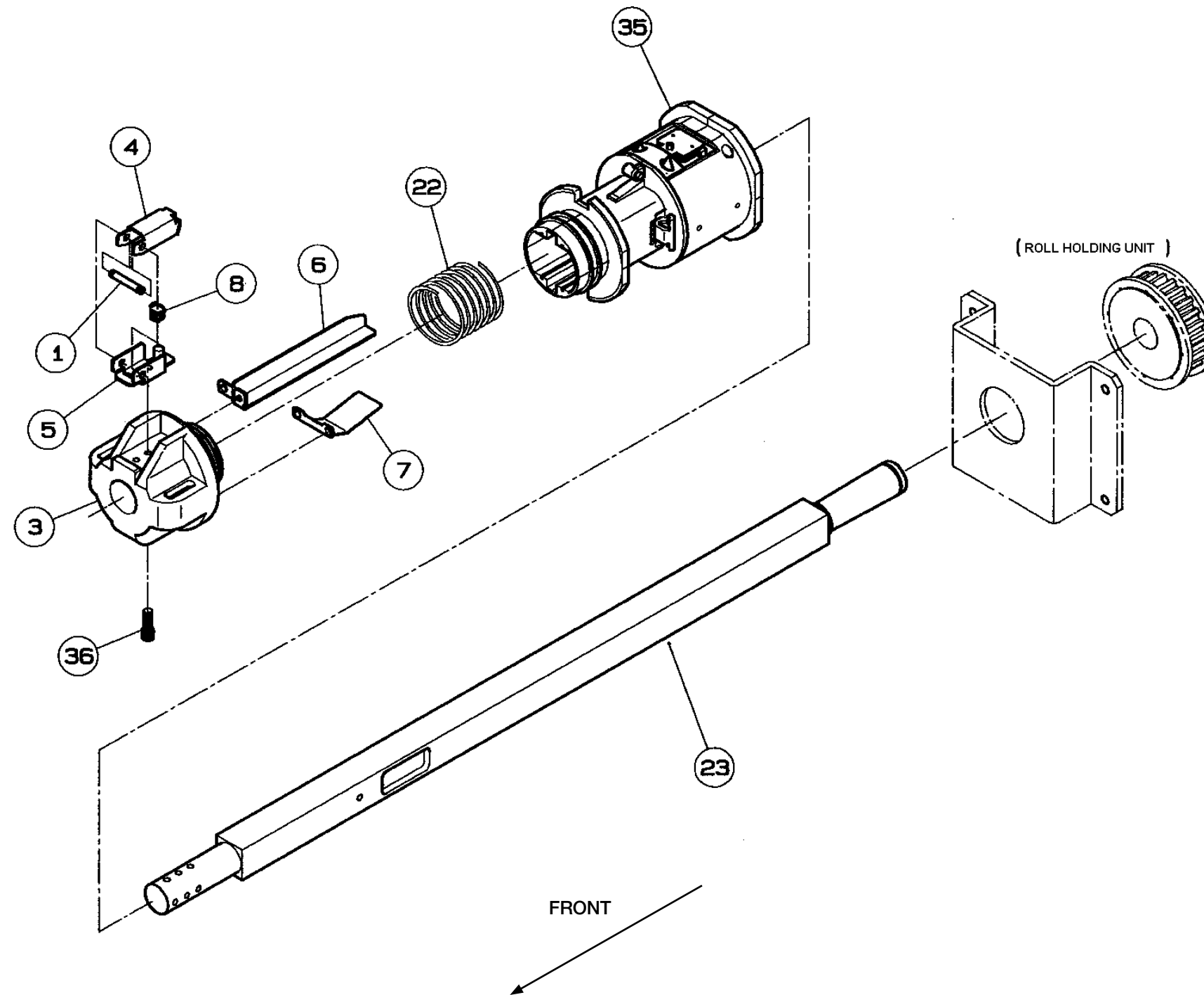
Price and availability confirmation recommended

An ISO 9001 Registered Company © 2020 Rice Lake Weighing Systems 04/01/20 Prices and specifications subject to change without notice. Visit ricelake.com for current prices.



Ishida WM-4000

Film Roll Hold Unit



Film Feeder Unit, Front

Part Number/Price

REF #	PART #	DESCRIPTION	QTY	SYNONYM	PRICE
1	Consult	Frame, feeder	1	090-0644-65	\$177.00
2	Consult	Frame, feeder, lower	1	076-1948-11	\$15.00
3	Consult	Frame, feeder, lower	1	076-1949-14	\$11.00
4	160748	Bearing, radial, deep groove	8	094-2649-05	\$6.00
5	Consult	Timing pulley, T5, AF	2	079-1277-17	\$20.00
9	Consult	Shaft, drive, lower	1	069-2190-11	\$14.00
10	Consult	Shaft assy, drive, upper	1	091-0550-01	\$21.00
11	Consult	Shaft, follower, lower	1	069-2492-07	\$10.00
12	Consult	Shaft, follower, upper	1	069-2185-12	\$15.00
13	175307	Gear, flat	1	090-0652-01	\$4.00
—	178070	Retaining ring, ext., M10	1		Consult
14	88644	Timing pulley, S5M, A	1	045-3708-07	\$13.00
16	Consult	Roller, guide, corner	2	076-1961-01	\$6.00
18	Consult	Shaft, pulley tension	2	090-0638-17	\$13.00
19	Consult	Timing pulley, T5, A	2	073-7224-09	\$23.00
20	47165	Bearing, radial	4	000-3610-03	\$6.00
22	Consult	Rail, lower	1	077-4783-11	\$93.00
24	Consult	Holder, pulley	1	079-1280-19	\$16.00
25	Consult	Holder, pulley	1	079-1281-12	\$16.00
26	Consult	Pulley assy, idler	2	079-3487-01	\$18.00
27	Consult	Shaft, pulley, idler	2	073-7135-01	\$12.00
28	Consult	Hold assy, RFLR	1	079-8648-01	\$77.00
29	Consult	Hold assy LFRR	1	079-8649-05	\$77.00
30	Consult	Frame, hold, upper	2	079-1261-09	\$4.00
34	Consult	Pin, hold	2	069-2191-24	\$7.00
35	Consult	Link, solenoid, hold	2	076-1921-01	\$5.00
36	Consult	Spring, coil, compressive	2	076-9578-06	\$2.00
37	74452	Hanger, spring	4	003-6479-04	\$4.00
43	157851	Flat belt, endless, short green pincher	2	073-7254-01	\$22.00
44	157883	Flat belt, endless, long green horizontal	1	073-7253-07	\$45.00
45	Consult	Shaft, drive, flat	2	069-2201-28	\$15.00
46	Consult	Pulley, drive, round	2	079-1252-14	\$17.00
47	Consult	Bearing, radial, deep groove	8	094-2650-00	\$4.00
48	Consult	Gear, flat	1	076-1779-09	\$18.00
51	Consult	Lever, clamp, fulcrum	1	079-1269-17	\$5.00
52	Consult	Roller clamp	3	076-1960-07	\$2.00
53	Consult	Spring pin	5	049-0673-09	\$1.00
54	Consult	Link, solenoid, clamp	1	076-1945-01	\$2.00
55	78083	Bush	10	037-4818-02	\$3.00
56	Consult	Collar, spacer	9	072-2137-02	\$2.00
57	Consult	Bracelet, shaft, fulcrum	1	079-1285-26	\$18.00
58	Consult	Shaft, clamp, fulcrum	1	090-0639-01	\$10.00
60	Consult	Lever, clamp, center	1	079-1272-19	\$9.00
61	Consult	Rail, center	1	111-8271-02	\$12.00
63	166949	Sensor lever assy film detect, right	1	111-8269-04	\$39.00
64	166950	Sensor lever assy film detect, left	1	111-8270-09	\$39.00
—	48237	Washer, flat, SST, M4, 18-8	2	00-0142-06	\$0.50
—	42854	Spring washer, SST, M4, 18-8	2	00-0172-08	\$1.50
—	48236	Nut, SST, M4, 18-8	2	00-0106-01	\$1.00
69	Consult	Frame, side clamp, lower	2	079-1283-29	\$17.00
70	Consult	Frame, side clamp, lower	1	079-1284-22	\$17.00
71	Consult	Lever, sub clamp, fulcrum	1	079-1270-11	\$4.00
72	Consult	Link, solenoid, side clamp	1	076-1944-07	\$2.00
73	Consult	Block B, side clamp	1	077-4781-14	\$12.00

Price and availability confirmation recommended

An ISO 9001 Registered Company © 2020 Rice Lake Weighing Systems 04/01/20 Prices and specifications subject to change without notice. Visit ricelake.com for current prices.

RICE LAKE
WEIGHING SYSTEMS

Discontinued Products

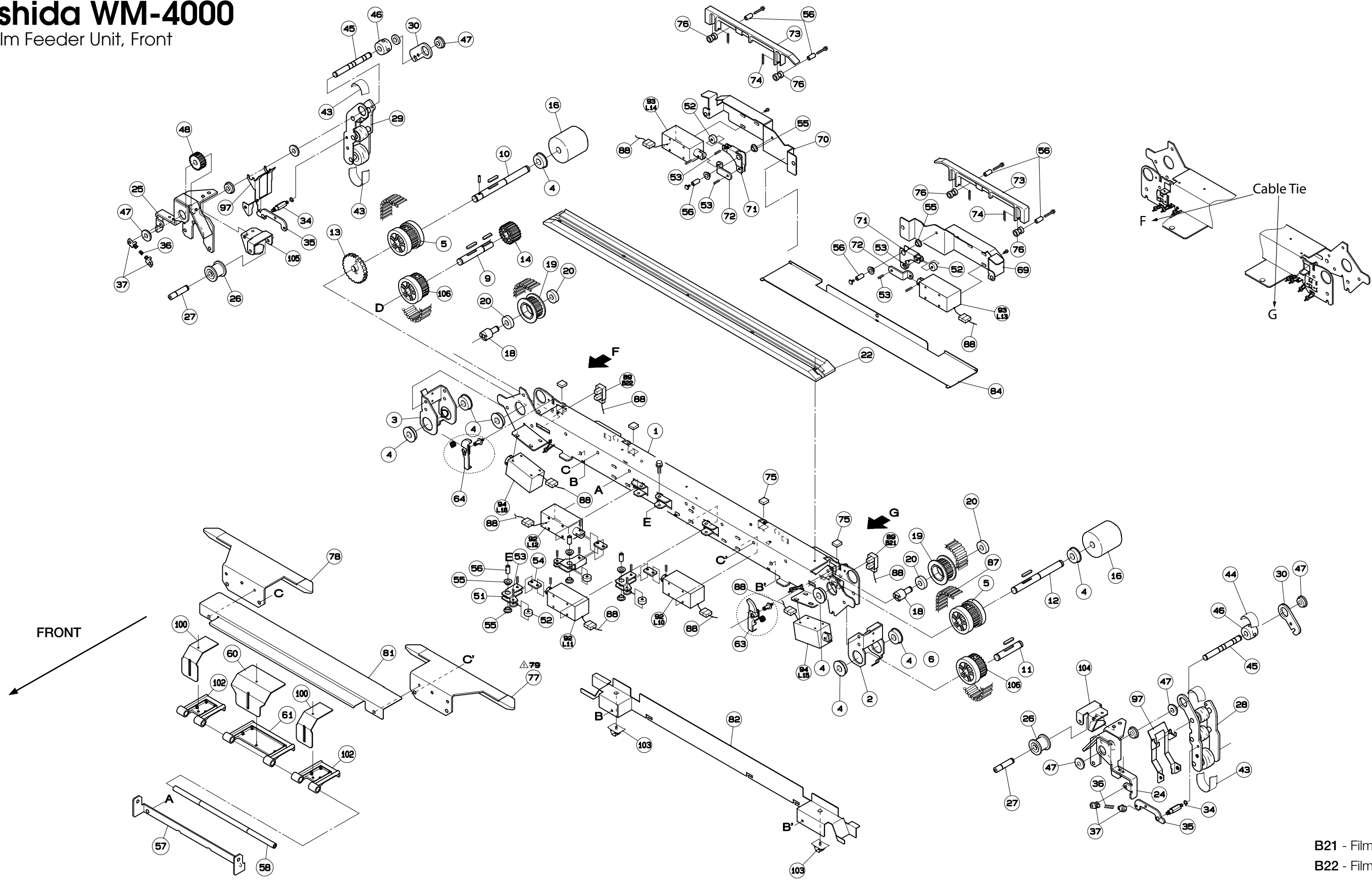
Film Feeder Unit, Front

Part Number/Price

REF #	PART #	DESCRIPTION	QTY	SYNONYM	PRICE
74	Consult	Spring, coil, compressive	4	072-2389-13	\$5.00
75	Consult	Rubber pad	4	052-4630-01	\$1.00
76	Consult	Guide, side, clamp	4	079-1275-01	\$2.00
77	157912	Side clamp upper assy FR-RL	1	091-0581-07	\$55.00
78	157913	Side clamp upper assy FL-RR	1	091-0582-01	\$55.00
81	Consult	Cover, feeder, upper	1	090-0636-29	\$21.00
82	Consult	Cover, harness	1	090-0641-19	\$48.00
84	Consult	Cover, feeder, lower	1	090-0637-04	\$14.00
87	157869	Timing belt, DT5, P1.5, white film feed	1	041-4278-07	\$225.00
88	Consult	Harness, C10, feeder	1	079-3451-25	\$34.00
89	104239	Photo interrupter, transm, film detect (B21, B22)	2	070-5204-14	\$9.00
92	125701	Solenoid assy, center clamps (L10, L11, L12)	3	073-7078-01	\$27.00
93	167445	Solenoid assy, aux clamps (L13, L14)	2	073-7079-05	\$20.00
94	160032	Solenoid assy, film clamp, pincher (L15, L16)	2	091-0618-01	\$23.00
97	174311	Guide, film, hold	2	079-1262-11	\$11.00
100	Consult	Lever, clamp, side	2	079-1271-15	\$4.00
102	Consult	Rail, upper, side	2	111-8250-04	\$11.00
103	Consult	Accessory, clamp, CKS clamp	2	053-7489-01	\$2.00
104	Consult	Bracket, shaft, hold	1	079-1053-01	\$11.00
105	Consult	Bracket, shaft, hold	1	079-1054-04	\$11.00
106	Consult	Timing pulley, T5, AF	2	079-1278-11	\$20.00

Ishida WM-4000

Film Feeder Unit, Front



B21 - Film detect, front right
 B22 - Film detect, front left

Film Feeder Unit, Rear

Part Number/Price

REF #	PART #	DESCRIPTION	QTY	SYNONYM	PRICE
1	Consult	Frame, feeder	1	090-0645-69	\$177.00
2	Consult	Frame, feeder	1	076-1948-11	\$15.00
3	Consult	Frame, feeder, lower	1	076-1949-14	\$11.00
4	160748	Bearing, radial, deep groove	8	094-2649-05	\$6.00
5	Consult	Timing pulley T5, AF	2	079-1277-17	\$20.00
9	Consult	Shaft drive, lower	1	069-2190-11	\$14.00
10	Consult	Shaft assy, drive, upper	1	091-0550-01	\$21.00
11	Consult	Shaft, follower, lower	1	069-2492-07	\$10.00
12	Consult	Shaft, follower, upper	1	069-2185-12	\$15.00
13	175307	Gear, flat	1	090-0652-01	\$4.00
—	178070	Retaining ring, ext., M10	1		Consult
14	88644	Timing pulley, S5M, A	1	045-3708-07	\$13.00
16	Consult	Roller, guide, corner	2	076-1961-01	\$6.00
18	Consult	Shaft, pulley, tension	1	090-0638-17	\$13.00
19	Consult	Timing pulley, T5, A	1	073-7224-09	\$23.00
20	47165	Bearing, radial	2	000-3610-03	\$6.00
22	Consult	Rail, lower	1	077-4783-11	\$93.00
24	Consult	Holder, pulley	1	079-1280-19	\$16.00
25	Consult	Holder, pulley	1	079-1281-12	\$16.00
26	Consult	Pulley assy, idler	2	079-3487-01	\$18.00
27	Consult	Shaft pulley, idler	2	073-7135-01	\$12.00
28	Consult	Hold assy, RFLR	1	079-8648-01	\$77.00
29	Consult	Hold assy LFRR	1	079-8649-05	\$77.00
30	Consult	Frame, hold, upper	2	079-1261-09	\$4.00
34	Consult	Pin, hold	2	069-2191-24	\$7.00
35	Consult	Link, solenoid, hold	1	076-1921-01	\$5.00
36	Consult	Spring, coil, compressive	2	076-9578-06	\$2.00
37	74452	Hanger, spring	4	003-6479-04	\$4.00
43	157851	Flat belt, endless, short green pincher	2	073-7254-01	\$22.00
44	157883	Flat belt, endless, long green horizontal	1	073-7253-07	\$45.00
45	Consult	Shaft drive, flat	2	069-2201-28	\$15.00
46	Consult	Pulley, drive, round	2	079-1252-14	\$17.00
47	Consult	Bearing, radial, deep groove	8	094-2650-00	\$4.00
48	Consult	Gear, flat	1	076-1779-09	\$18.00
49	Consult	Detect plate, rear feeder	1	091-0553-02	\$6.00
50	Consult	Detect plate, rear feeder	1	091-0554-06	\$6.00
51	Consult	Lever, clamp, fulcrum	3	079-1269-17	\$5.00
52	Consult	Roller clamp	5	076-1960-07	\$2.00
53	Consult	Spring pin	2	049-0673-09	\$1.00
54	Consult	Link, solenoid, clamp	3	076-1945-01	\$2.00
55	78083	Bush	10	037-4818-02	\$3.00
56	Consult	Collar, spacer	9	072-2137-02	\$2.00
57	Consult	Bracket, shaft, fulcrum	1	079-1285-26	\$18.00
58	Consult	Shaft, clamp, fulcrum	1	090-0639-01	\$10.00
60	Consult	Lever, clamp, center	1	079-1272-19	\$9.00
61	Consult	Rail, center	1	111-8271-02	\$12.00
63	166949	Sensor lever assy film detect, left	1	111-8269-04	\$39.00
64	166950	Sensor lever assy film detect, right	1	111-8270-09	\$39.00
—	48237	Washer, flat, SST, M4, 18-8	2	00-0142-06	\$0.50
—	42854	Spring washer, SST, M4, 18-8	2	00-0172-08	\$1.50
—	48236	Nut, SST, M4, 18-8	2	00-0106-01	\$1.00
69	Consult	Frame, side clamp, lower	1	079-1283-29	\$17.00
70	Consult	Frame, side clamp, lower	1	079-1284-22	\$17.00
71	Consult	Lever, sub clamp, fulcrum	2	079-1270-11	\$4.00

Price and availability confirmation recommended

An ISO 9001 Registered Company © 2020 Rice Lake Weighing Systems 04/01/20 Prices and specifications subject to change without notice. Visit ricelake.com for current prices.

RICE LAKE
WEIGHING SYSTEMS

Discontinued Products

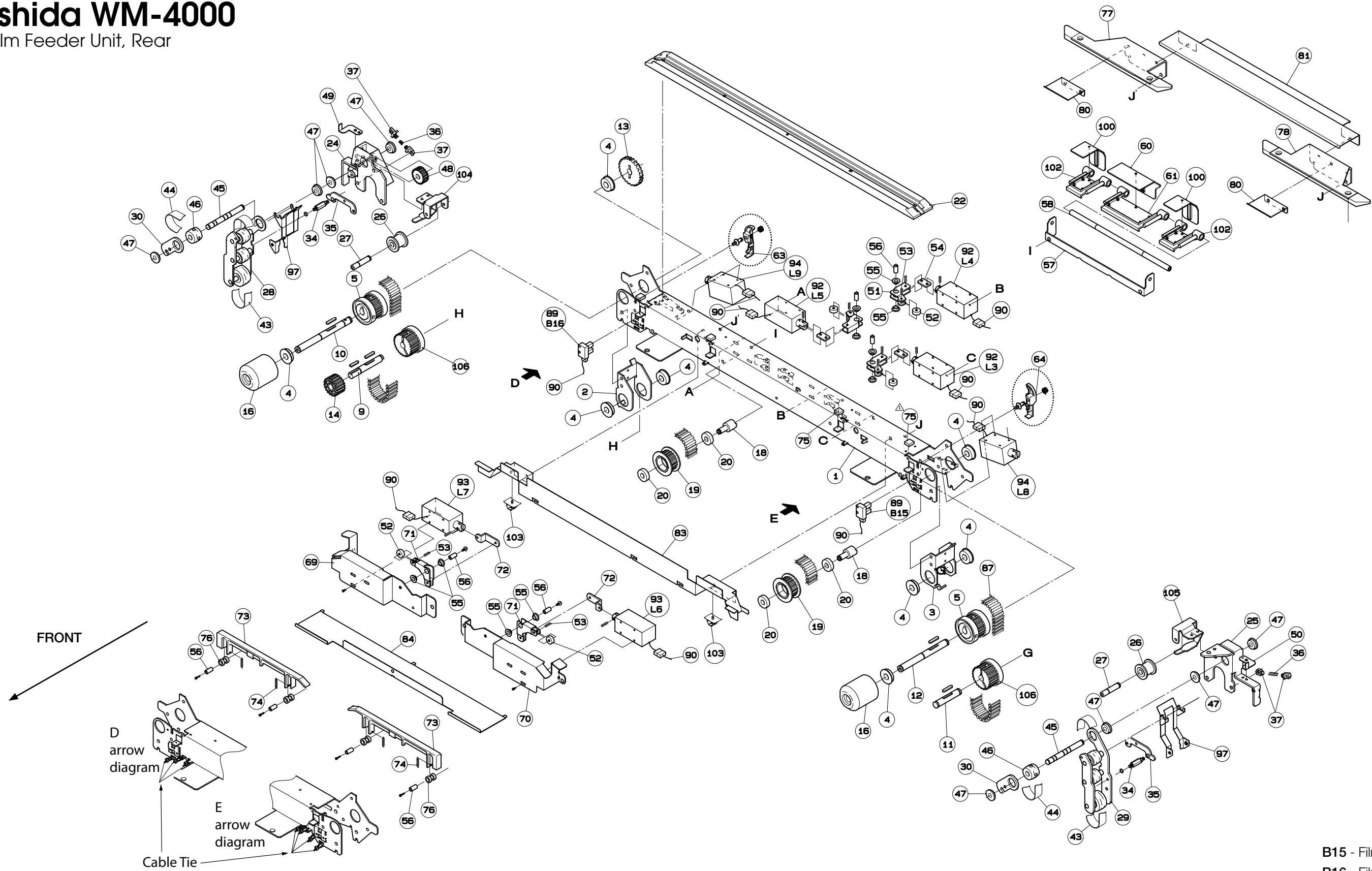
Film Feeder Unit, Rear

Part Number/Price

REF #	PART #	DESCRIPTION	QTY	SYNONYM	PRICE
72	Consult	Link, solenoid, side clamp	2	076-1944-07	\$2.00
73	Consult	Block B, side cramp	2	077-4781-14	\$12.00
74	Consult	Spring, coil, compressive	4	072-2389-13	\$5.00
75	Consult	Rubber pad	4	052-4630-01	\$1.00
76	Consult	Guide, side, clamp	4	079-1275-01	\$2.00
77	157912	Side clamp upper assy FR-RL	1	091-0581-07	\$55.00
78	157913	Side clamp upper assy FL-RR	1	091-0582-01	\$55.00
80	Consult	Guide, belt	2	072-2123-47	\$5.00
81	Consult	Cover, feeder, upper	1	090-0636-29	\$21.00
83	Consult	Cover, harness	1	090-0642-12	\$48.00
84	Consult	Cover, feeder, lower	1	090-0637-04	\$14.00
87	157869	Timing belt, DT5, P1.5, white film feed	1	041-4278-07	\$225.00
89	104239	Photo interrupter, transmitter, film detect (B15, B16)	2	070-5204-14	\$9.00
90	Consult	Harness, C10, feeder	1	079-3451-25	\$34.00
92	125701	Solenoid assy, center clamps (L3, L4, L5)	3	073-7078-01	\$27.00
93	167445	Solenoid assy clamp, aux clamps (L6, L7)	2	073-7079-05	\$20.00
94	160032	Solenoid assy clamp, film clamp, pincher (L8, L9)	2	091-0618-01	\$23.00
97	174311	Guide, film, hold	2	079-1262-11	\$11.00
100	Consult	Lever, clamp, side	2	079-1271-15	\$4.00
102	Consult	Rail, upper, side	2	111-8250-04	\$11.00
103	Consult	Accessory, clamp, CKS clamp	2	053-7489-01	\$2.00
104	Consult	Bracket, shaft, hold	1	079-1053-01	\$11.00
105	Consult	Bracket, shaft, hold	1	079-1054-04	\$11.00
106	Consult	Timing pulley, T5, AF	2	079-1278-11	\$20.00

Ishida WM-4000

Film Feeder Unit, Rear



B15 - Film detect, rear right
 B16 - Film detect, rear left

Roll Holding Unit, Right

Part Number/Price

REF #	PART #	DESCRIPTION	QTY	SYNONYM	PRICE
1	Consult	Bracket, brake	1	079-3132-18	\$23.00
2	Consult	Shaft clutch	1	079-3138-10	\$41.00
3	48174	Bearing, radial, deep groove	1	004-1478-00	\$12.00
4	70134	Clutch, one way	1	012-3206-05	\$39.00
5	Consult	Timing pulley, S5M, AF	1	076-1760-09	\$20.00
6	Consult	Timing pulley, P5M, AF	1	076-1758-01	\$19.00
7	Consult	Washer, thrust	1	033-2667-01	\$2.00
8	187788	Timing belt, SP5M	1	073-7255-04	\$38.00
9	Consult	Timing belt, S5M	1	045-4371-00	\$11.00
10	Consult	Bracket, motor, roll drive	1	069-2330-43	\$14.00
11	Consult	Timing pulley, S5M, AF	1	073-7225-02	\$22.00
12	Consult	Bracket, roll hold	1	070-5275-28	\$13.00
13	Consult	Bearing unit, flange	1	026-7543-03	\$34.00
14	172616	Bearing, radial, deep groove	1	057-0387-08	\$31.00
15	Consult	Timing pulley, P5M, AF	1	073-7223-05	\$29.00
16	184829	Motor, DC brushless (M2)	1	070-1423-00	\$184.00
17	172557	Gear head	1	055-9082-01	\$193.00
18	174465	Brake assy, film roll (Y1)	1	076-1967-02	\$191.00

Price and availability confirmation recommended

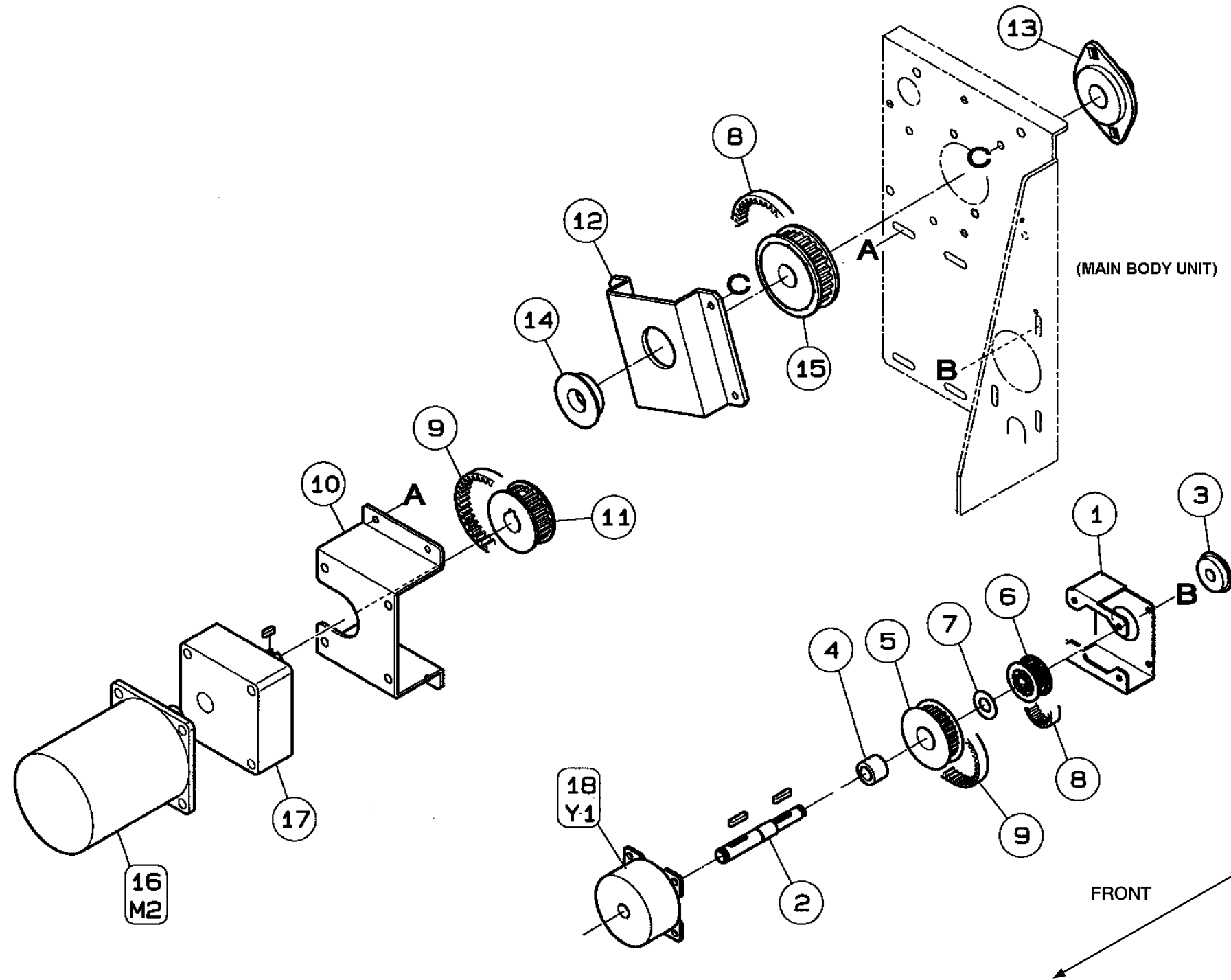
An ISO 9001 Registered Company © 2020 Rice Lake Weighing Systems 04/01/20 Prices and specifications subject to change without notice. Visit ricelake.com for current prices.

RICE LAKE
WEIGHING SYSTEMS

Discontinued Products

Ishida WM-4000

Roll Hold Unit, Right



Roll Holding Unit, Left

Part Number/Price

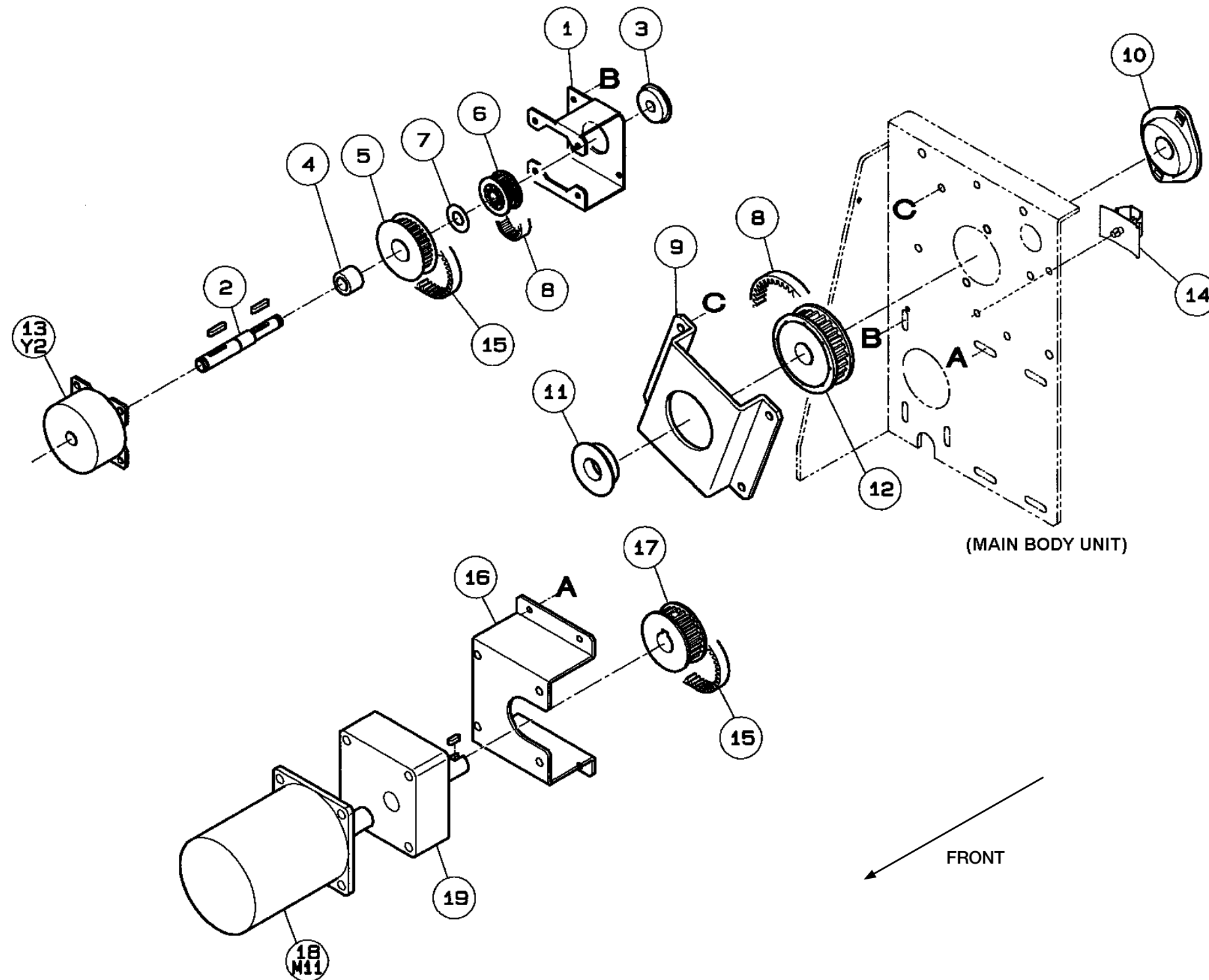
REF #	PART #	DESCRIPTION	QTY	SYNONYM	PRICE
1	Consult	Bracket, brake	1	079-3133-11	\$23.00
2	Consult	Shaft, clutch	1	079-3138-10	\$41.00
3	48174	Bearing, radial, deep groove	1	004-1478-00	\$12.00
4	70134	Clutch, one way	1	012-3206-05	\$39.00
5	Consult	Timing pulley, S5M, AF	1	076-1760-09	\$20.00
6	Consult	Timing pulley, P5M, AF	1	076-1758-01	\$19.00
7	Consult	Washer, thrust	1	033-2667-01	\$2.00
8	187788	Timing belt, SP5M	1	073-7255-04	\$38.00
9	Consult	Bracket, roll hold	1	070-5275-28	\$13.00
10	Consult	Bearing unit, flange	1	026-7543-03	\$34.00
11	172616	Bearing, radial, deep groove	1	057-0387-08	\$31.00
12	Consult	Timing pulley, P5M, AF	1	073-7223-05	\$29.00
13	174465	Brake assy, film roll (Y2)	1	076-1966-09	\$191.00
14	Consult	Accessory, clamp, CKS clamp	1	032-9012-00	\$2.00
15	Consult	Timing belt, S5M	1	045-4371-00	\$11.00
16	Consult	Bracket, motor, roll, drive	1	069-2330-43	\$14.00
17	Consult	Timing pulley S5M, AF	1	073-7225-02	\$22.00
18	184829	Motor, DC brushless (M11)	1	070-1423-00	\$184.00
19	172557	Gear head	1	055-9082-01	\$193.00

Price and availability confirmation recommended

An ISO 9001 Registered Company © 2020 Rice Lake Weighing Systems 04/01/20 Prices and specifications subject to change without notice. Visit ricelake.com for current prices.

Ishida WM-4000

Roll Hold Unit, Left



Sealing Heater Control Unit

Part Number/Price

REF #	PART #	DESCRIPTION	QTY	SYNONYM	PRICE
1	Consult	Frame, power	1	090-0655-48	\$109.00
2	157894	PWB, P-922A-1 (A5)	1	068-9900-35	\$145.00
3	Consult	Buzzer assy (H1)	1	069-4694-37	\$20.00
4	157895	Relay, solid state (K3, K4)	2	073-7118-07	\$30.00
7	72857	Fuse holder, terminal	2	000-4119-04	\$9.00
8	72856	Fuse holder, terminal type	4	040-2724-07	\$9.00
9	Consult	Harness, C15, power AC	1	117-3487-05	\$71.00
10	Consult	Harness, C4, PS AC	1	072-2253-11	\$19.00
11	Consult	Harness, C6, PS AC	1	090-0689-08	\$14.00
13	116273	Electromagnetic, main surge (Z1)	1	069-2404-09	\$45.00
14	Consult	Harness, C8, PS AC	1	072-2284-25	\$20.00
15	47075	Fuse, glass tube, 5A, 250V, 3AG (F1, F2, F5, F6)	4	033-3882-09	\$3.00
16	116272	Electromagnetic contactor (K1)	1	069-2402-01	\$49.00
17	116274	Electromagnetic, coil serge (Z2)	1	072-2108-04	\$30.00
18	Consult	Harness, C2, ground	1	072-2104-28	\$2.00
19	Consult	Harness, C3, heater	1	072-2233-25	\$6.00
20	Consult	Harness, C5, heater	1	072-2232-12	\$8.00
21	Consult	Harness, S1, PS short circuit	1	072-2121-03	\$3.00
23	Consult	Harness, C4, communication	1	072-2237-20	\$20.00
24	Consult	Harness, C6, sensor	1	076-1911-04	\$22.00
25	Consult	Harness, C21, SW left	1	079-3433-46	\$55.00
26	Consult	Fuse, glass tube (F3, F4)	2	072-2465-04	\$3.00
27	47027	PWB accessory, card spacer	4	000-1796-05	\$1.00
28	Consult	Accessory, clamp, LWS clamp	14	073-7214-01	\$1.00
30	Consult	L plate B, PS, lower	1	108-0247-05	\$58.00
31	Consult	L plate B, PS	1	108-0246-01	\$58.00
32	Consult	Terminal assy, block	1	072-2290-00	\$14.00
34	Consult	Harness, C6, power AC	1	108-0294-10	\$27.00

Price and availability confirmation recommended

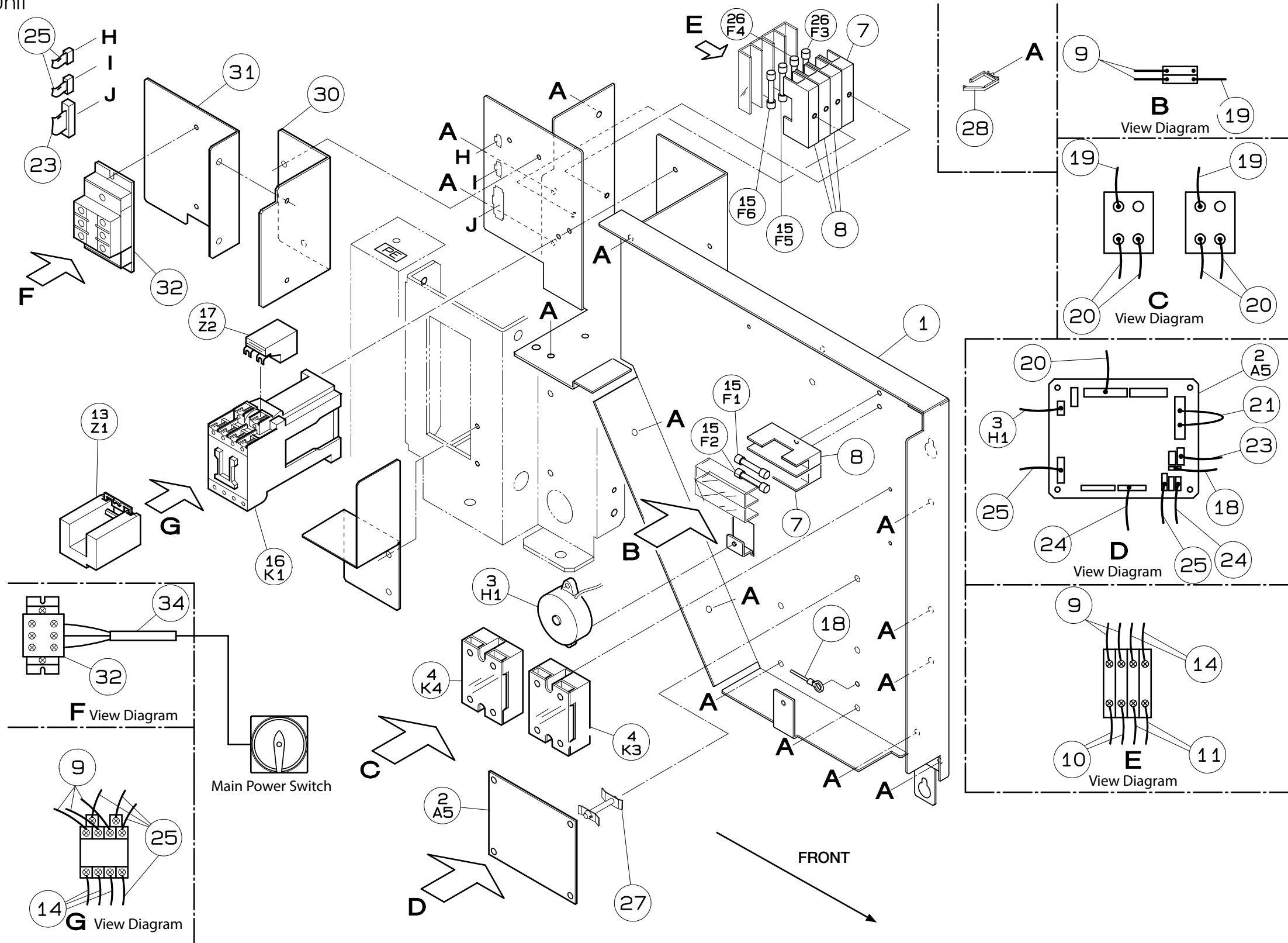
An ISO 9001 Registered Company © 2020 Rice Lake Weighing Systems 04/01/20 Prices and specifications subject to change without notice. Visit ricelake.com for current prices.

RICE LAKE
WEIGHING SYSTEMS

Discontinued Products

Ishida WM-4000

Sealing Heater Control Unit



Heater Control Unit Addition

Part Number/Price

REF #	PART #	DESCRIPTION	QTY	SYNONYM	PRICE
1	157861	Controller, motor, DC brushless, discharge conveyer (E310)	1	070-1420-09	\$223.00
2	Consult	Harness, C4, AC power	1	076-1897-05	\$10.00
3	Consult	Harness, C4, BC brushless	1	076-1910-10	\$32.00
4	Consult	Harness, C3, sensor	1	076-1901-25	\$15.00

Discontinued Products

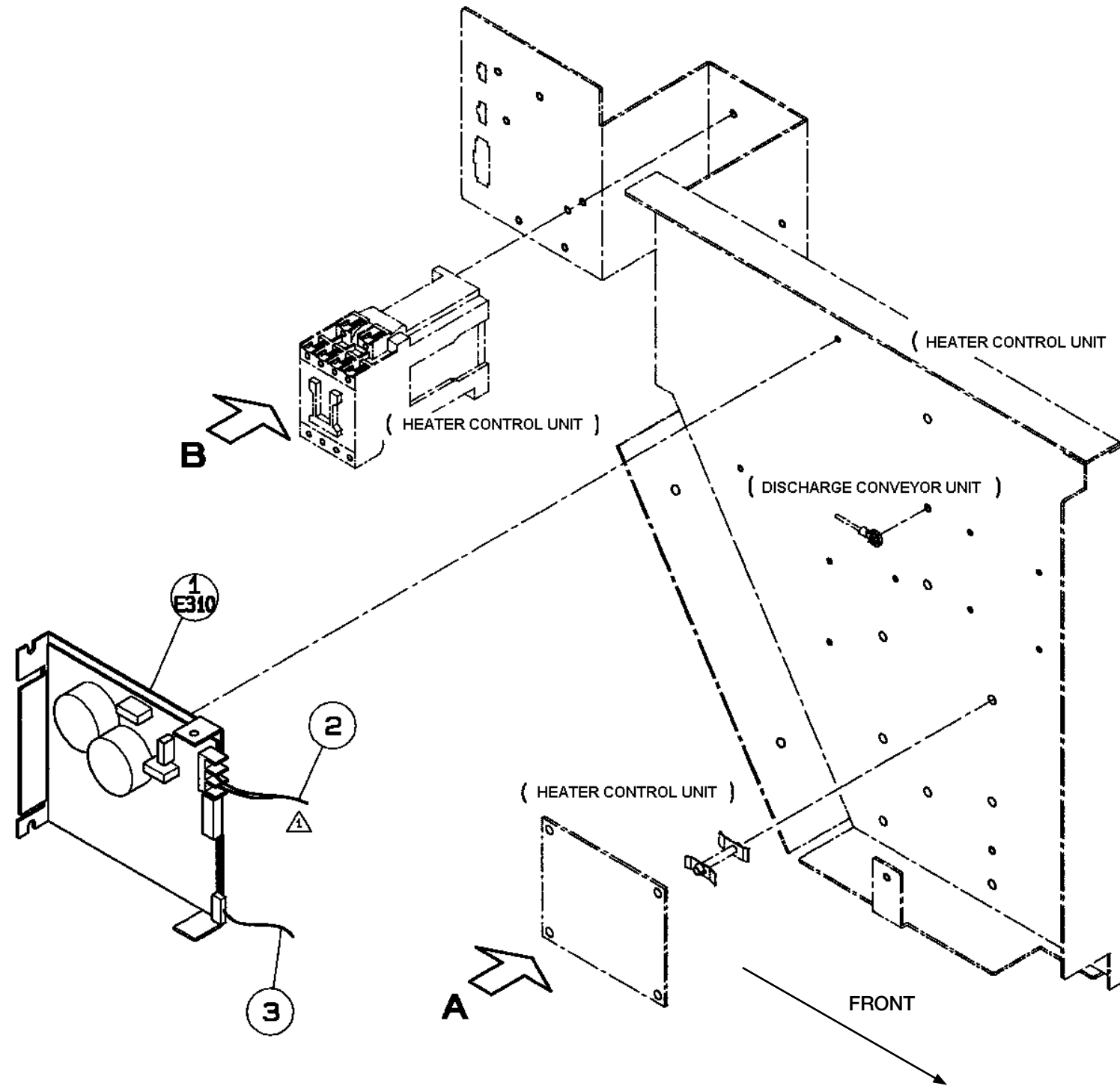
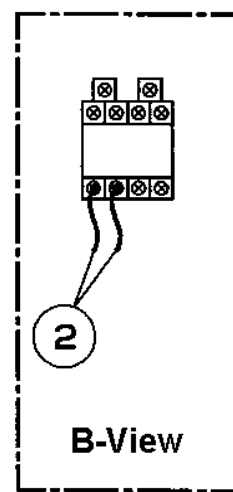
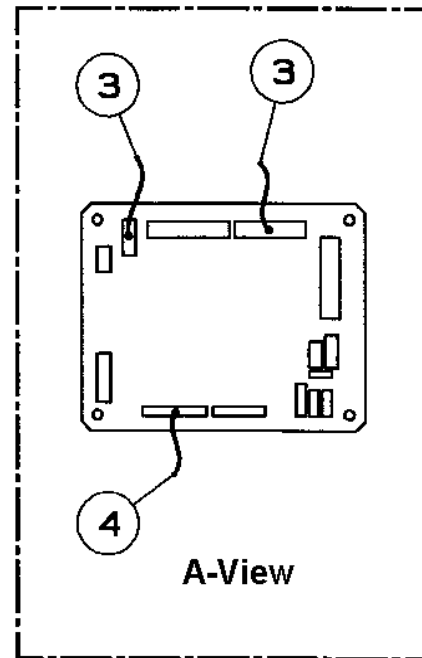
Price and availability confirmation recommended

An ISO 9001 Registered Company © 2020 Rice Lake Weighing Systems 04/01/20 Prices and specifications subject to change without notice. Visit ricelake.com for current prices.



Ishida WM-4000

Heater Control Unit Addition



Wrapping Control Unit

Part Number/Price

REF #	PART #	DESCRIPTION	QTY	SYNONYM	PRICE
1	Consult	Bracket, ground, brushless	1	090-0616-24	\$16.00
3	Consult	Frame, PWB, wrapper	1	090-0618-59	\$158.00
4	157855	Controller, motor, stepping (E12)	1	072-2102-02	\$191.00
5	157884	Controller, motor, stepping (E13)	1	072-2103-06	\$180.00
6	157858	Controller, motor, DC brushless, K0287D (E3, E4)	2	070-1417-07	\$223.00
7	157859	Controller, motor, DC brushless, K0288D (E5, E8)	2	070-1418-01	\$223.00
8	157860	Controller, motor, DC brushless, K0294D (E2, E7)	2	070-1419-04	\$223.00
9	157861	Controller, motor, DC brushless, K0295D (E6, E9)	2	070-1420-09	\$223.00
10	157914	PWB, P-920A (A1)	1	067-6948-71	\$413.00
11	Consult	Harness, C22, power AC	1	108-8161-08	\$123.00
12	Consult	Harness, C3, DC brushless	1	069-6912-36	\$23.00
13	Consult	Harness, C3, DC brushless	1	069-6913-30	\$22.00
14	Consult	Harness, C3, DC brushless	1	069-6914-33	\$20.00
15	Consult	Harness, C3, DC brushless	1	069-6915-37	\$20.00
16	Consult	Harness, C6, lift	1	079-3413-14	\$142.00
17	Consult	Harness, C4, stepping	1	070-3056-31	\$15.00
19	Consult	Harness, C2, ground	1	072-2104-28	\$2.00
20	Consult	Terminal assy, block (X2)	1	072-2290-00	\$14.00
21	Consult	Fan assy (M16)	1	069-4689-29	\$58.00
22	Consult	Duct, harness	2	073-7108-00	\$7.00
23	Consult	PWB accessory, card spacer	4	073-7207-05	\$1.00
24	47027	PWB accessory, card spacer	9	000-1796-05	\$1.00
25	Consult	Accessory, clamp, LWS clamp	7	073-7214-01	\$1.00
26	Consult	Name plate, explanation	1	101-1882-03	\$7.00

A1	Wrapping Control
E2	Right Film Roll Drive
E3	Right Film Insertion
E4	Front Feeder Move
E5	Rear Feeder Move
E6	Rear Wrapping
E7	Left/Right Wrapping
E8	Discharge Pusher
E9	Feeder
E12	Tray Infeed
E13	Tray Centering

Price and availability confirmation recommended

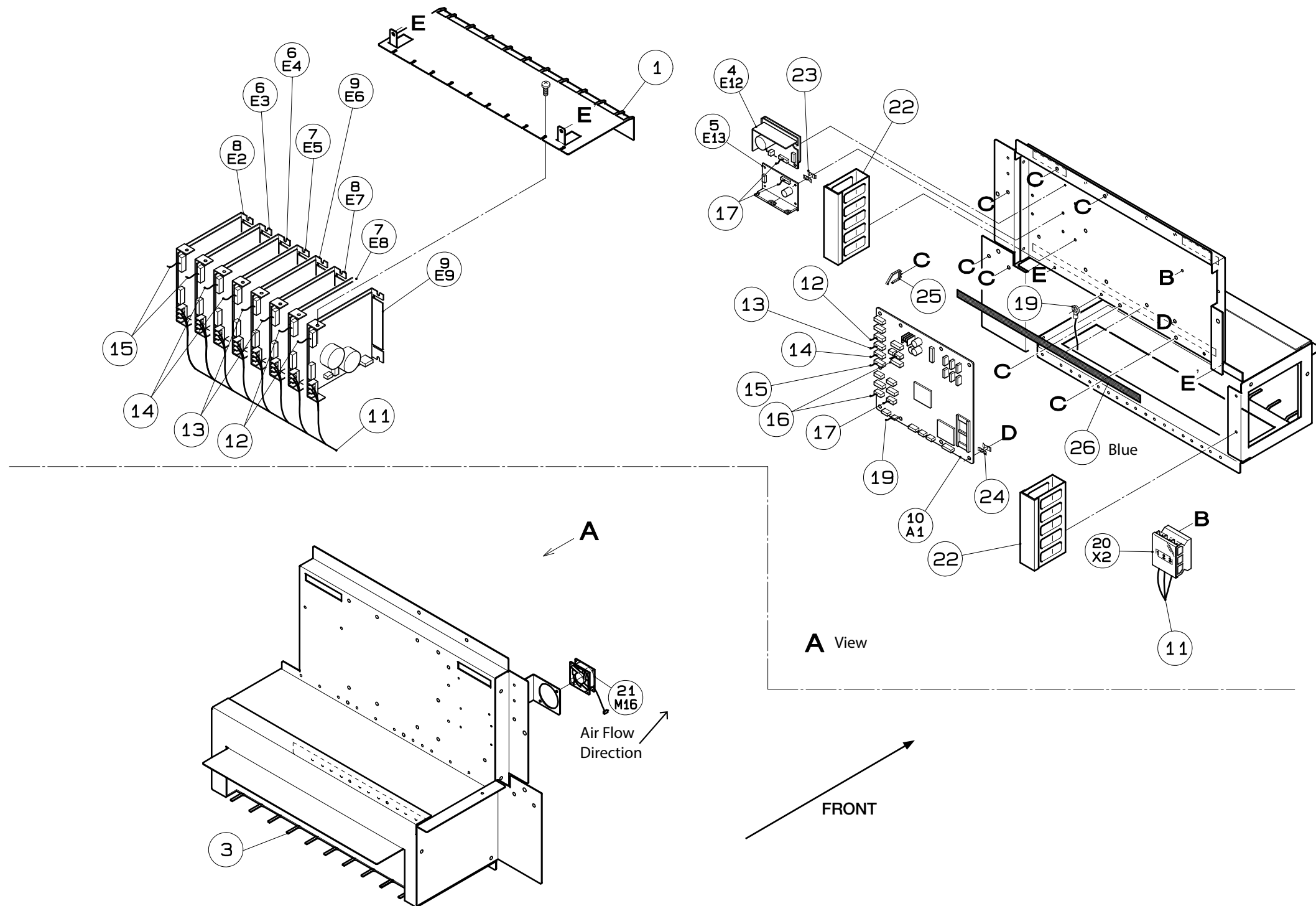
An ISO 9001 Registered Company © 2020 Rice Lake Weighing Systems 04/01/20 Prices and specifications subject to change without notice. Visit ricelake.com for current prices.

RICE LAKE
WEIGHING SYSTEMS

Discontinued Products

Ishida WM-4000

Wrapping Control Unit



Control Unit Addition

Part Number/Price

REF #	PART #	DESCRIPTION	QTY	SYNONYM	PRICE
1	157858	Controller, motor, DC brushless, K0287D (E10)	1	070-1417-07	\$223.00
4	157860	Controller, motor, DC brushless, K0294D (E11)	1	070-1419-04	\$223.00
5	Consult	Harness, C6, PS AC	1	070-9672-46	\$16.00
6	Consult	Harness, C3, DC brushless	1	069-6911-32	\$25.00

E10	Left Film Insertion
E11	Left Film Roll Drive

Discontinued Products

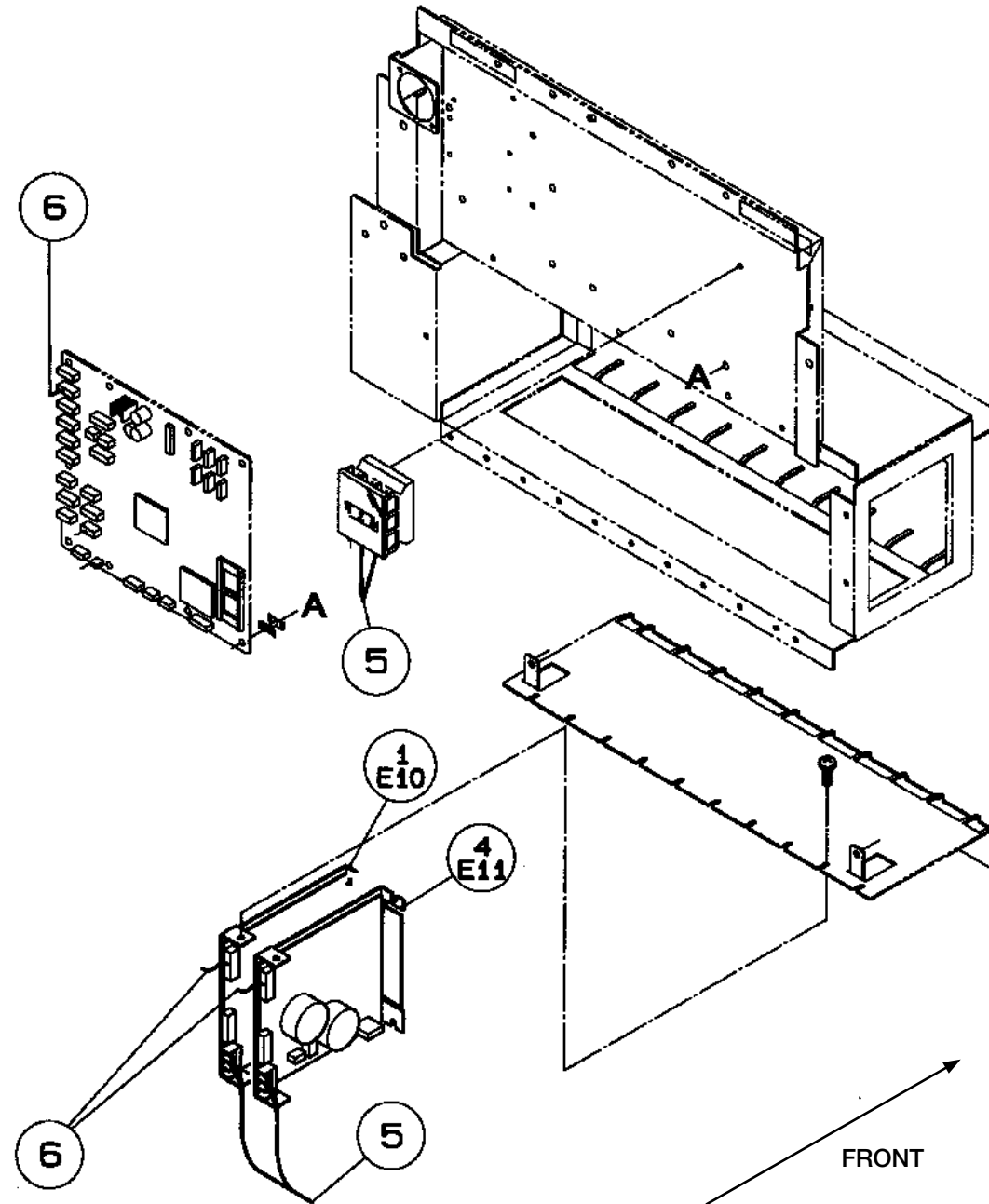
Price and availability confirmation recommended

An ISO 9001 Registered Company © 2020 Rice Lake Weighing Systems 04/01/20 Prices and specifications subject to change without notice. Visit ricelake.com for current prices.



Ishida WM-4000

Control Unit Addition



Fan Heater Unit, Right

Part Number/Price

REF #	PART #	DESCRIPTION	QTY	SYNONYM	PRICE
1	Consult	Bracket, heater, fan	1	076-9986-11	\$19.00
3	Consult	Chassis, fan heater	1	076-9991-20	\$72.00
4	Consult	Holder, heater	2	038-3913-07	\$24.00
5	Consult	Holder, heater, harness	1	090-0918-01	\$8.00
6	52611	Fan	1	017-5829-09	\$82.00
7	Consult	Accessory, clamp, CKN clamp	2	000-9929-02	\$5.00
8	Consult	Grommet, with diaphragm	2	021-1481-08	\$3.00
9	Consult	Heater, thermostat, PTC	1	112-6673-06	\$58.00
10	Consult	Thermostat assy	1	076-9765-06	\$66.00
11	Consult	Harness, C7, fan heater	1	073-7256-44	\$25.00
13	Consult	Accessory, fastener, edge saddle	1	064-0360-05	\$2.00
14	Consult	Accessory, band, tie	2	059-8213-07	\$4.00
15	Consult	Fan filter	1	012-2136-04	\$35.00
16	Consult	Cover, roll, side	1	076-9989-12	\$35.00

Discontinued Products

Price and availability confirmation recommended

An ISO 9001 Registered Company © 2020 Rice Lake Weighing Systems 04/01/20 Prices and specifications subject to change without notice. Visit ricelake.com for current prices.



Fan Heater Unit, Left

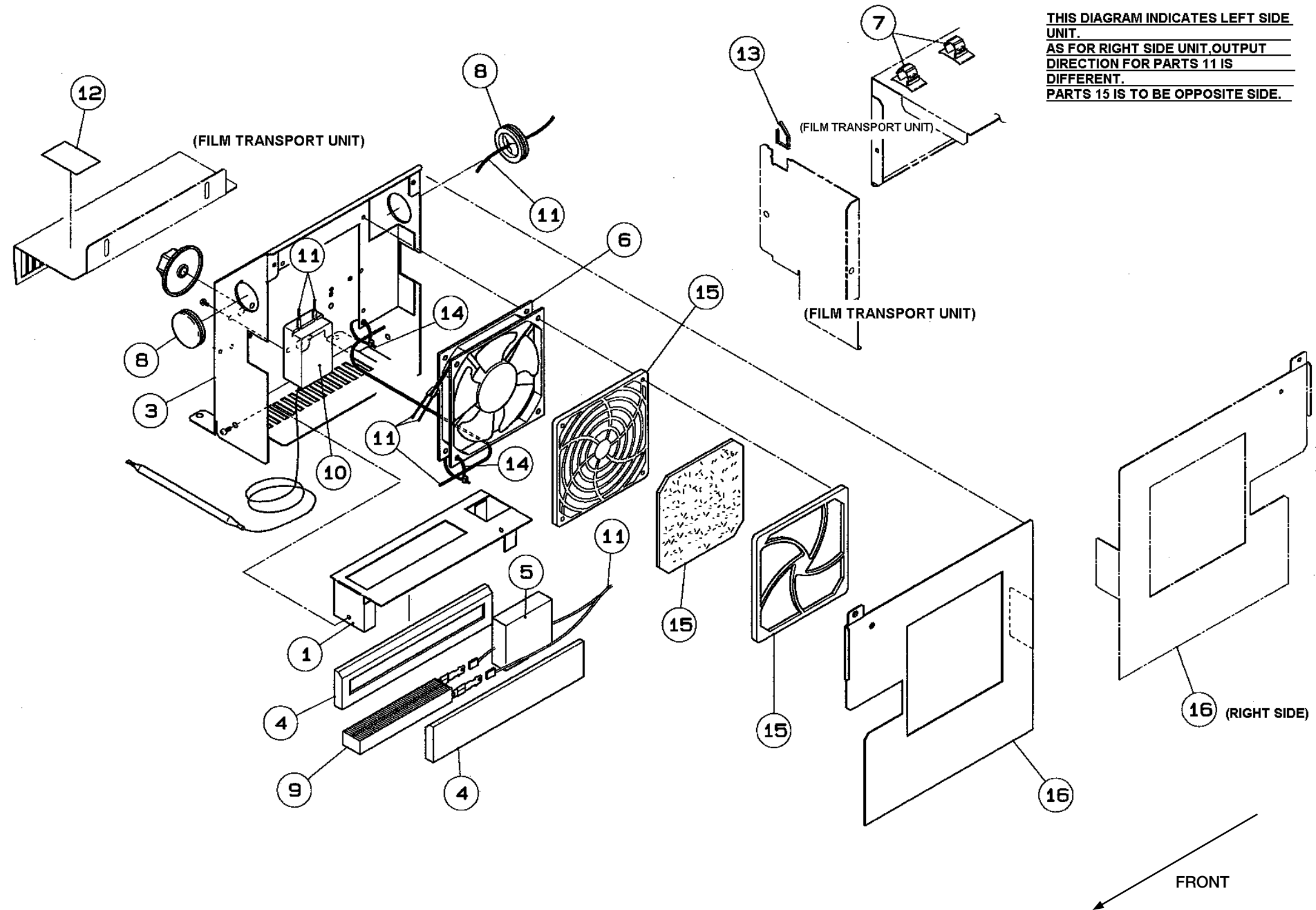
Part Number/Price

REF #	PART #	DESCRIPTION	QTY	SYNONYM	PRICE
1	Consult	Bracket, heater, fan	1	076-9986-11	\$19.00
3	Consult	Chassis, heater, fan	1	076-9991-20	\$72.00
4	Consult	Holder, heater	2	038-3913-07	\$24.00
5	Consult	Holder, heater, harness	1	090-0918-01	\$8.00
6	52611	Fan	1	017-5829-09	\$82.00
7	Consult	Accessory, clamp, CKN clamp	2	000-9929-02	\$5.00
8	Consult	Grommet with diaphragm	2	021-1481-08	\$3.00
9	Consult	Heater, thermostat, PTC	1	112-6673-06	\$58.00
10	Consult	Thermostat assy	1	076-9765-06	\$66.00
11	Consult	Harness, C7, fan heater	1	073-7256-44	\$25.00
13	Consult	Accessory, fastener, edge saddle	1	064-0360-05	\$2.00
14	Consult	Accessory, band, tie	2	059-8213-07	\$4.00
15	168011	Fan filter	1	012-2136-04	\$26.00
16	Consult	Cover, roll, side	1	076-9990-17	\$35.00

Price and availability confirmation recommendedAn ISO 9001 Registered Company © 2020 Rice Lake Weighing Systems 04/01/20 Prices and specifications subject to change without notice. Visit ricelake.com for current prices.

Ishida WM-4000

Fan Heater Unit, Left



Inside Cover Unit

Part Number/Price

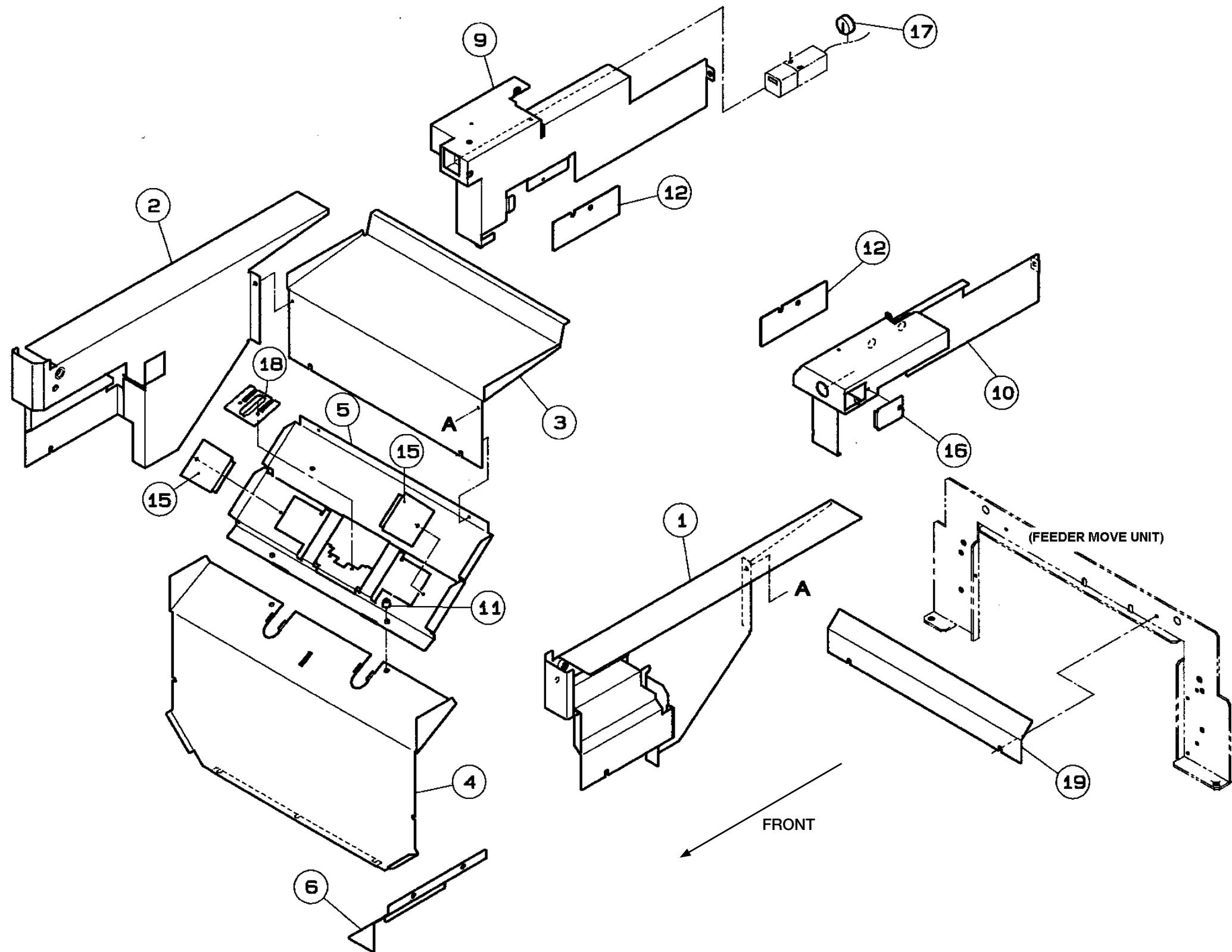
REF #	PART #	DESCRIPTION	QTY	SYNONYM	PRICE
1	Consult	Cover, lift, side R	1	098-8136-11	\$120.00
2	Consult	Cover, lift, side L	1	098-8189-28	\$134.00
3	Consult	Cover, lift, rear	1	101-1505-09	\$79.00
4	Consult	Cover, lift, drive	1	101-1523-24	\$120.00
5	Consult	Cover, lift, lower	1	101-1528-13	\$69.00
6	Consult	Cover, inside, R	1	090-0763-01	\$27.00
9	Consult	Cover, front, wrapper L	1	079-1189-21	\$93.00
10	Consult	Cover, front, wrapper R	1	079-1188-28	\$88.00
11	Consult	Rubber pad	2	000-3960-07	\$1.00
12	Consult	Plate A, wrapper, inside	2	078-0923-00	\$14.00
15	Consult	Cover, adjust	2	079-3499-14	\$3.00
16	Consult	L plate B, cover, lock	1	072-2356-01	\$5.00
17	Consult	Cap, harness, switch	5	091-0707-09	\$2.00
18	Consult	Cover, lift, change	1	098-3271-04	\$58.00
19	Consult	Cover, rear, upper	1	098-8188-06	\$65.00
--	41732	Screw, cover, SST, M4x6		00-0237-06	\$1.50

Price and availability confirmation recommended

An ISO 9001 Registered Company © 2020 Rice Lake Weighing Systems 04/01/20 Prices and specifications subject to change without notice. Visit ricelake.com for current prices.

Ishida WM-4000

Inside Cover Unit



Upper Cover Unit

Part Number/Price

REF #	PART #	DESCRIPTION	QTY	SYNONYM	PRICE
1	Consult	Cover, applicator, upper	1	108-0243-01	Consult
2	Consult	Cover, applicator, rear	1	078-0925-16	Consult
4	Consult	Door, front, lower	1	078-0913-30	Consult
5	Consult	Door, front, upper	1	078-0914-24	Consult
7	132547	Spring, key, door	1	070-1332-22	\$24.00
8	156699	Bracket, key, door	1	070-1331-47	\$12.00
9	120603	Catch PRA catch, printer door latch	2	070-5322-01	\$1.00
10	120605	Hinge, adjuster	2	079-1231-07	\$28.00
11	Consult	Cover, applicator, side, L	1	078-0939-27	Consult
12	Consult	Cover, applicator, side, R	1	078-0938-23	\$48.00
13	Consult	Cover, wiring, printer	1	079-3175-18	\$28.00
14	159594	Switch, actuator, L type	1	072-5960-02	\$6.00
16	Consult	Door, PC card	1	078-0927-04	\$25.00
17	Consult	Cover, power supply	1	078-0917-43	\$180.00
18	Consult	Cover, console, front	1	078-0926-10	\$17.00
19	Consult	Cover, connector	1	078-0928-35	\$58.00
20	Consult	Catch, mini ratch	1	070-1254-07	\$6.00
21	Consult	Cover, console, R	1	079-1222-40	\$184.00
28	120607	Plate A, guide, door	2	078-0915-28	\$5.00
30	168080	Catch, magnet	1	053-8534-09	\$8.00
31	159593	Screw, cross flat	2	076-1839-09	\$1.00
32	Consult	Screw, cross pan head	14	076-1838-05	\$1.00
38	120606	Hinge adjust	2	070-5323-05	\$42.00
40	Consult	Spacer	1	091-2122-08	\$1.00
41	120608	Plate A, guide door	4	073-7042-17	\$4.00
42	Consult	Name plate, lightning mark	4	002-9793-17	\$3.00
43	Consult	Name plate, junction	4	090-0877-01	\$41.00
999	Consult	Screw, cross pan head	6	001-6802-00	\$1.00
--	41732	Screw, cover, SST, M4x6		00-0237-06	\$1.50

Price and availability confirmation recommended

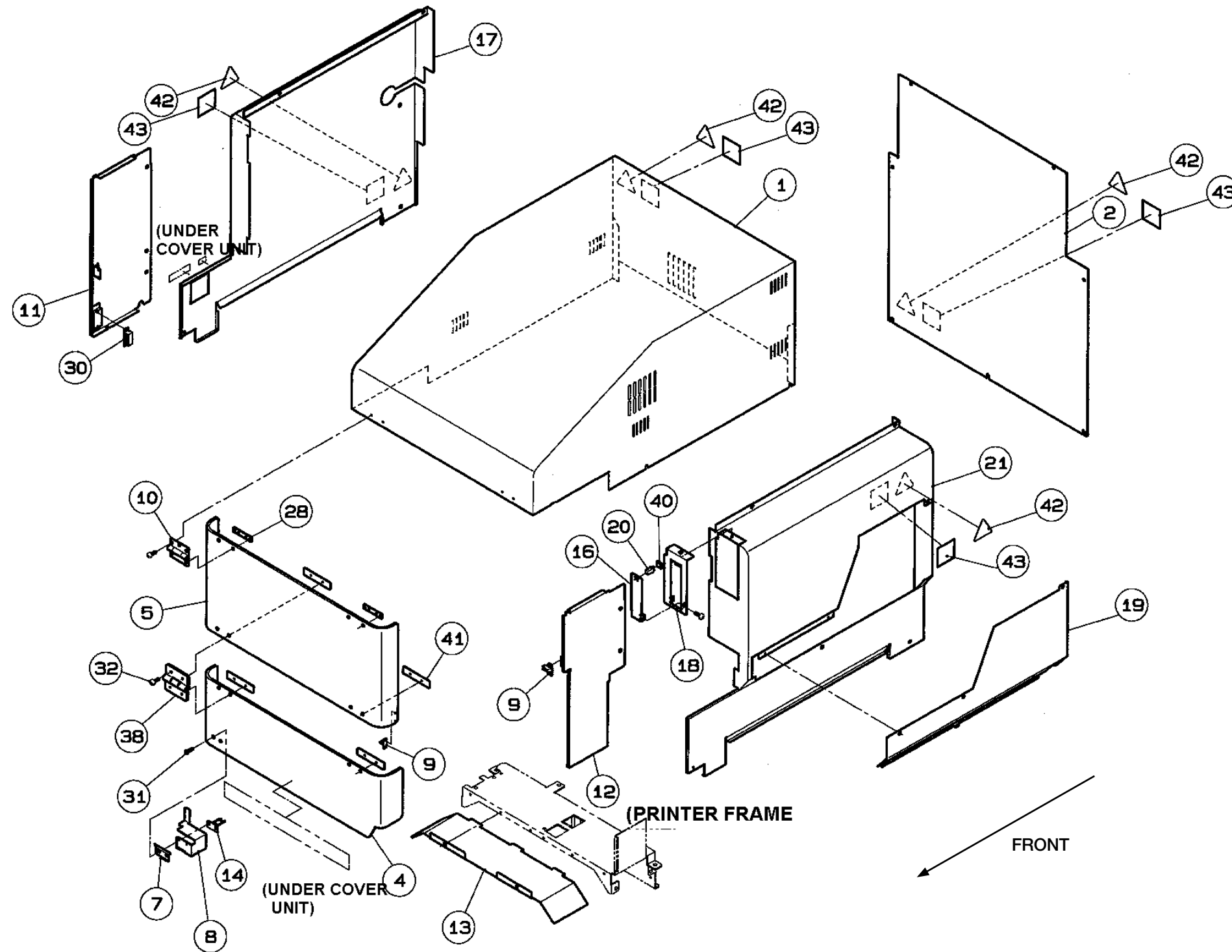
An ISO 9001 Registered Company © 2020 Rice Lake Weighing Systems 04/01/20 Prices and specifications subject to change without notice. Visit ricelake.com for current prices.

RICE LAKE
WEIGHING SYSTEMS

Discontinued Products

Ishida WM-4000

Upper Cover Unit



Lower Cover Unit

Part Number/Price

REF #	PART #	DESCRIPTION	QTY	SYNONYM	PRICE
1	Consult	Cover, motor	1	076-1983-21	\$167.00
2	Consult	Cover, stock	1	076-1991-21	\$104.00
3	Consult	Door, roll set	1	078-0911-51	\$169.00
4	Consult	Door, roll set	1	078-0912-54	\$169.00
5	Consult	Lug, handle insert	4	073-5832-06	\$4.00
6	Consult	Hinge	12	079-1230-03	\$5.00
7	Consult	Door, film piece clean	1	078-0908-59	\$118.00
8	Consult	Door, film piece clean	1	078-0909-52	\$118.00
9	70125	Switch, actuator, moveable	2	072-2365-05	\$39.00
10	Consult	Cover, main body, side	2	078-0903-32	\$120.00
11	Consult	Cover, main body, rear side	1	078-0905-67	\$148.00
12	Consult	Cover, main body, rear side	1	078-0906-61	\$148.00
13	Consult	Cover, main body, rear	1	078-0922-06	\$104.00
14	Consult	Catch, magnet	4	079-1224-01	\$12.00
16	Consult	Cover, sensor, fold	1	076-2000-14	\$16.00
17	Consult	Cover, conveyor, front	1	076-1980-20	\$82.00
18	Consult	Cover, wiring	1	076-1987-25	\$15.00
19	Consult	Cover, conveyor, lower	1	113-7214-01	\$207.00
22	Consult	Accessory, bush, open lock	1	003-3135-02	\$2.00
23	Consult	Screw, cross flat, M4x5 mm SST	48	090-5041-03	\$1.00
24	Consult	Decal, set, wrapper	1	106-6699-49	\$158.00
25	Consult	Name plate, lightning mark	3	002-9793-17	\$3.00
26	Consult	Name plate, junction	4	090-0877-01	\$41.00
--	41732	Screw, cover, SST, M4x6		00-0237-06	\$1.50

Price and availability confirmation recommended

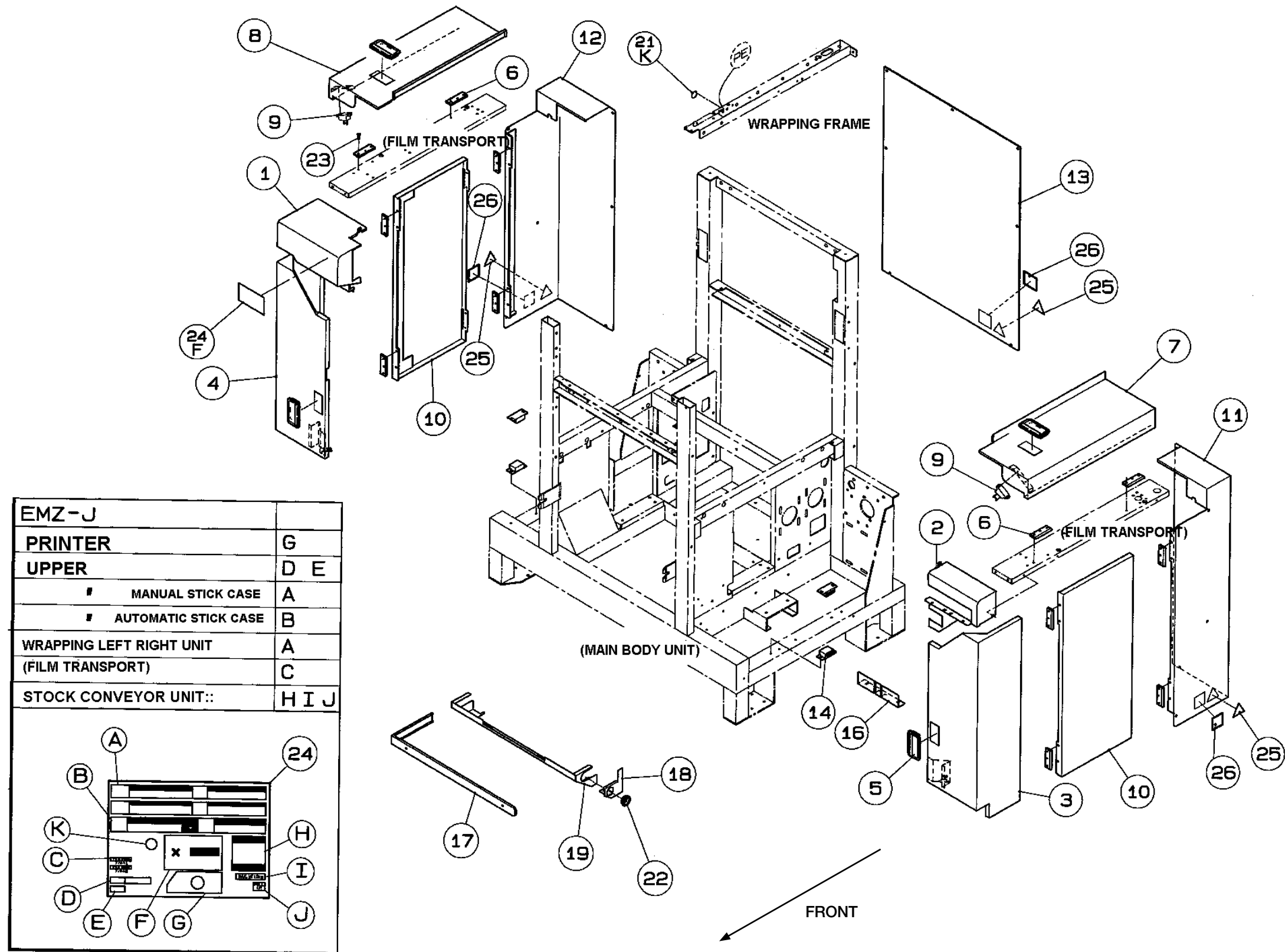
An ISO 9001 Registered Company © 2020 Rice Lake Weighing Systems 04/01/20 Prices and specifications subject to change without notice. Visit ricelake.com for current prices.

RICE LAKE
WEIGHING SYSTEMS

Discontinued Products

Ishida WM-4000

Lower Cover Unit



Stock Conveyor Unit

Part Number/Price

REF #	PART #	DESCRIPTION	QTY	SYNONYM	PRICE
1	Consult	Bracket, stock	1	076-1725-26	\$71.00
2	Consult	Supporter, stock	1	076-1722-25	\$17.00
3	Consult	Bush	4	030-2991-06	\$2.00
4	Consult	Shaft, stock, fulcrum	1	076-1723-01	\$12.00
5	Consult	Stay, stock	1	076-1724-31	\$90.00
6	Consult	Frame, stock	1	076-1743-32	\$109.00
7	Consult	Frame, stock	1	076-1744-36	\$109.00
8	Consult	Stay, stock, lower	1	076-1737-21	\$35.00
9	Consult	Shaft, stock	4	076-1746-15	\$19.00
10	156690	Stopper, tray	1	076-1733-26	\$98.00
12	Consult	Adjuster, stock	1	076-1735-23	\$52.00
13	Consult	Adjuster, stock	1	076-1736-27	\$52.00
14	Consult	Shaft	6	076-7814-08	\$16.00
15	187408	Roller, textured	6	037-7887-10	\$44.00
16	Consult	Cover, roller, stock	1	077-4522-16	\$17.00
17	Consult	Cover, roller, stock	1	077-4523-10	\$17.00
18	157862	Roller	8	001-5308-02	\$38.00
19	Consult	Holder, roller	2	076-1745-21	\$15.00
20	Consult	Bracket, stopper, fulcrum	1	076-1721-12	\$27.00
21	Consult	Shaft, stopper, fulcrum	1	076-1720-00	\$9.00
22	185561	Stopper, stock	1	076-1719-23	\$109.00
23	Consult	Bracket, sensor	1	076-1739-28	\$17.00
24	Consult	Rubber pad, with washer	3	062-7341-05	\$2.00
25	157856	Photo interruptor, trans, conveyor up/down (B310)	1	070-5205-18	\$11.00
26	72407	Sensor assy, conveyor full (B311)	1	076-9523-11	\$164.00
27	Consult	Harness, S2, ground	1	076-9602-11	\$4.00
28	Consult	Accessory, clamp, LWS clamp	2	073-7212-04	\$1.00
29	Consult	Accessory, bush, open lock	1	003-3135-02	\$2.00
32	Consult	Lug, handle insert	1	076-9693-01	\$3.00
33	Consult	Seal, signal, caution	2	054-2104-15	\$2.00

Price and availability confirmation recommended

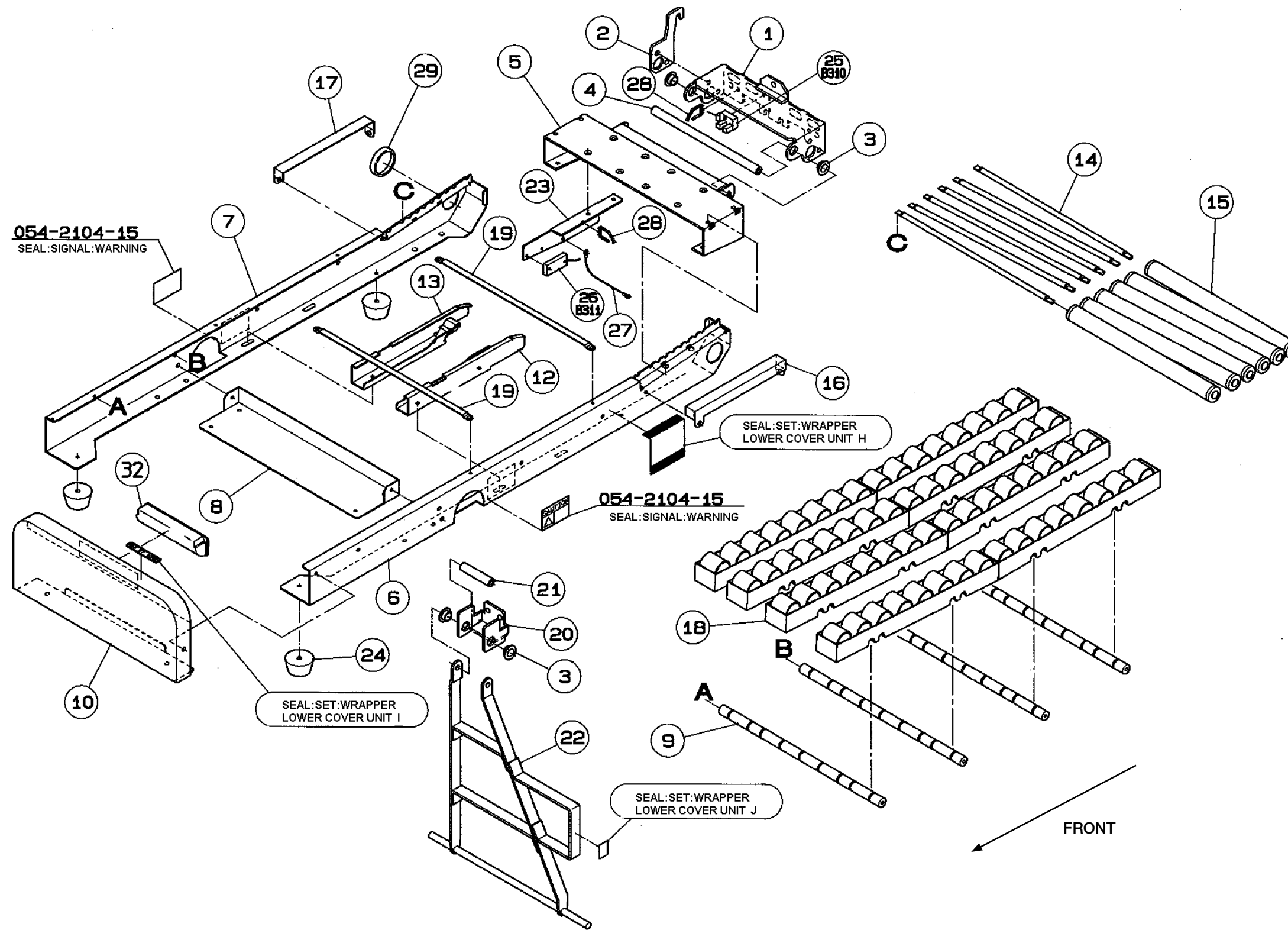
An ISO 9001 Registered Company © 2020 Rice Lake Weighing Systems 04/01/20 Prices and specifications subject to change without notice. Visit ricelake.com for current prices.

RICE LAKE
WEIGHING SYSTEMS

Discontinued Products

Ishida WM-4000

Stock Conveyor Unit



B310 - Conveyor up/down
 B311 - Conveyor full

Printer Unit

Part Number/Price

REF #	PART #	DESCRIPTION	QTY	SYNONYM	PRICE
1	157915	Shaft, step type	3	091-8678-03	\$10.00
2	157891	Roller, label, hold assy	21	079-8591-03	\$2.00
4	Consult	Frame, hold, long	1	106-6651-13	\$85.00
5	157916	Collar	6	091-8682-18	\$4.00
6	157917	Collar	27	077-4891-20	\$4.00
7	Consult	Frame, hold	1	078-0812-19	\$8.00
8	Consult	Shaft, stock	1	070-9860-21	\$7.00
9	Consult	Bracket, sensor, R	1	078-0813-03	\$4.00
10	Consult	Bracket, sensor, L	1	078-0816-04	\$3.00
11	Consult	Shaft, roller, assist	2	044-3821-17	\$6.00
12	110525	Roller, assist	1	060-8956-04	\$32.00
13	Consult	Plate A, holder	1	072-5075-06	\$5.00
14	Consult	Bracket, assist	2	078-0818-01	\$3.00
15	Consult	Collar spacer	8	059-4384-06	\$1.00
16	Consult	Spring, coil, compressive	4	072-8615-17	\$4.00
17	Consult	Shaft, assist	1	078-0819-05	\$10.00
18	Consult	Bracket, assist, upper	1	078-0820-19	\$5.00
19	Consult	Spring, coil	1	078-0821-12	\$4.00
20	Consult	L plate A	1	078-0822-07	\$2.00
21	Consult	L plate A, press	1	078-0823-01	\$2.00
22	Consult	Collar spacer	1	027-6196-08	\$1.00
23	Consult	Spring, coil, compressive	4	072-5278-14	\$4.00
24	Consult	Roller, assist	1	069-4967-06	\$16.00
25	Consult	Spring, plate	1	075-5774-08	\$9.00
26	Consult	Guide, printer, cassette	1	075-5709-05	\$9.00
27	Consult	Roller, pole	1	011-0853-07	\$5.00
28	Consult	Collar, step	1	076-7629-05	\$12.00
29	Consult	Shaft guide, label	1	078-0824-04	\$9.00
30	Consult	Guide, label	1	078-0987-17	\$5.00
31	Consult	Guide, label	2	068-5048-46	\$7.00
32	Consult	Collar spacer	2	005-4287-03	\$1.00
33	Consult	Shaft label	2	078-0825-08	\$6.00
34	Consult	Roller guide	1	078-0991-03	\$3.00
35	Consult	Bracket, guide, label	1	078-0826-11	\$5.00
36	Consult	Gear, flat	1	076-1780-03	\$6.00
37	153085	Motor assy, stepping (M100)	1	092-8406-04	\$67.00
38	Consult	Bracket, motor	1	078-0827-23	\$18.00
39	Consult	Motor assy, take up (M101)	1	072-5467-21	\$85.00
40	153086	Gear, flat	1	047-0630-04	\$7.00
41	Consult	Plate A, motor, DC	1	078-0828-09	\$2.00
42	Consult	Rail, slide	2	076-7658-03	\$35.00
43	Consult	Catch, magnet	1	079-1224-01	\$12.00
44	Consult	Collar, label	4	079-8952-04	\$2.00
45	Consult	Bracket, plate, R	1	090-5240-26	\$24.00
46	Consult	Timing pulley, S3M, C	2	073-7220-04	\$20.00
47	125887	Timing belt, S3M, printer roller drive	1	068-5306-01	\$10.00
48	115144	Roller, print	2	075-1288-00	\$18.00
49	Consult	Cover, belt	1	078-0830-43	\$6.00
50	187458	Shaft, peel	1	090-5345-05	\$15.00
51	Consult	Shaft, idler	1	078-0831-10	\$7.00
52	Consult	Bracket, plate L, assy	1	078-0832-04	\$35.00
53	Consult	Shaft, stock	1	070-9862-38	\$7.00
54	Consult	Gear, flat	1	076-1778-05	\$18.00
55	93355	Bush	4	064-0201-24	\$4.00

Price and availability confirmation recommended

An ISO 9001 Registered Company © 2020 Rice Lake Weighing Systems 04/01/20 Prices and specifications subject to change without notice. Visit ricelake.com for current prices.

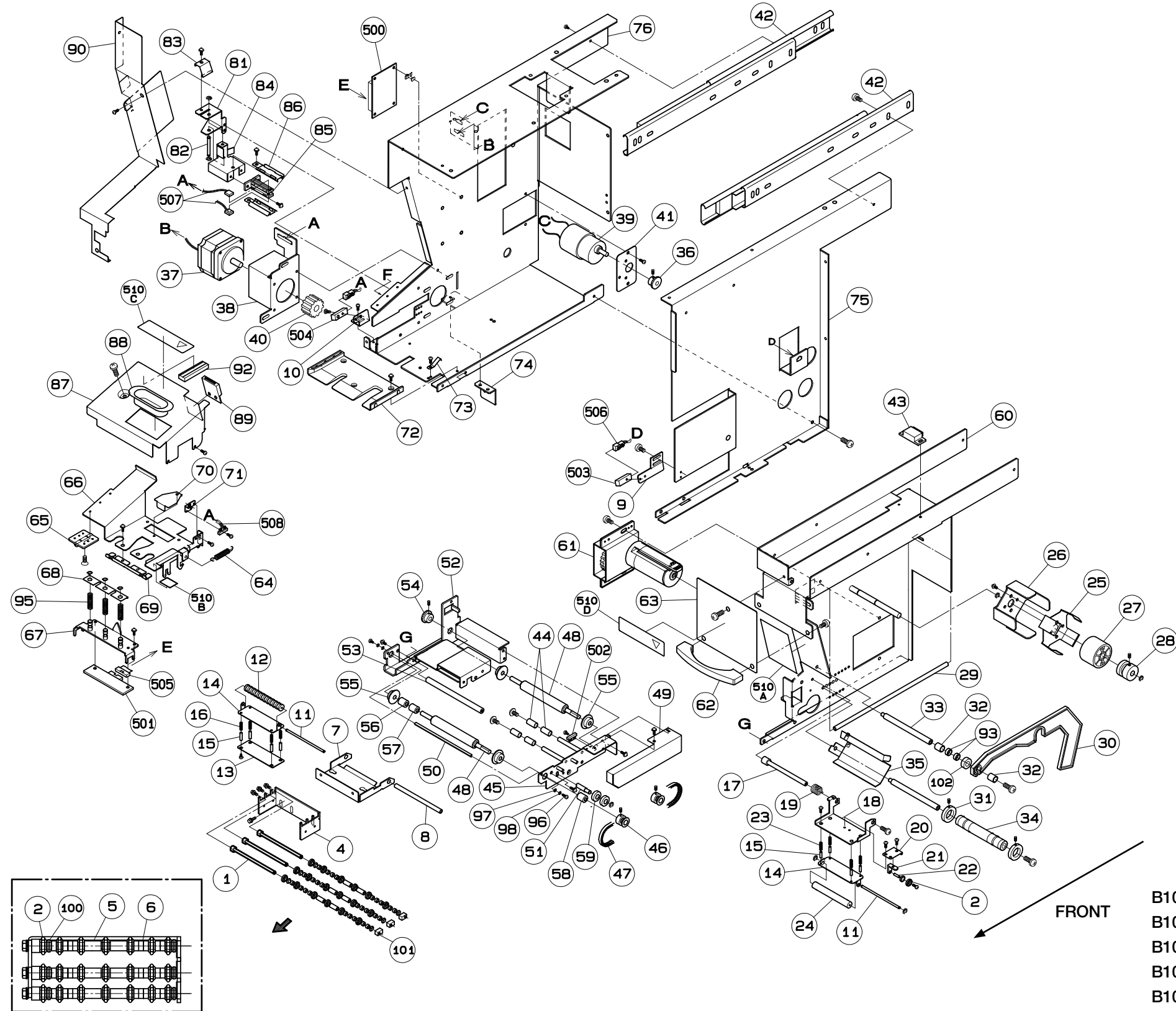
Printer Unit

Part Number/Price

REF #	PART #	DESCRIPTION	QTY	SYNONYM	PRICE
56	Consult	Bush	1	075-1324-01	\$4.00
57	Consult	Bush	1	075-1325-04	\$4.00
58	Consult	Bush	1	075-1321-00	\$4.00
59	172643	Bearing, radial	2	065-6920-00	\$3.00
60	Consult	Frame, printer	1	079-1006-51	\$139.00
61	126451	Reel unit assy	1	072-5283-04	\$77.00
62	Consult	Lug	1	048-3935-08	\$8.00
63	Consult	Cover, front	1	078-0837-21	\$5.00
64	172652	Spring, coil, compressive	1	079-1005-20	\$5.00
65	Consult	Hinge	1	013-9941-09	\$21.00
—	Consult	Screw, counter sink, M3x8	6		Consult
66	169768	Bracket assy, printer	1	078-0997-41	\$22.00
67	Consult	Bracket, printer, thermal	1	078-0996-20	\$16.00
68	Consult	L plate A, spring, support	1	078-0994-04	\$3.00
69	Consult	Stay, head, thermal	1	078-0993-29	\$3.00
70	Consult	Plate B, press head	1	078-0992-16	\$5.00
71	Consult	Bracket, switch, head	1	078-0836-09	\$4.00
72	Consult	Guide, printer, lower	1	078-0986-04	\$6.00
73	Consult	Crank plate A, spring	1	091-2164-04	\$3.00
74	Consult	L plate, printer, lower	2	076-1951-03	\$2.00
75	Consult	Frame, printer, R	1	078-0839-28	\$118.00
76	Consult	Frame, printer, L	1	078-0843-32	\$156.00
81	167123	Bracket, printer, sensor	1	079-1226-17	\$4.00
82	167124	Shaft	1	072-5079-29	\$4.00
83	167125	Spring, plate	1	079-1227-01	\$8.00
84	167126	Bracket, sensor	1	072-5086-43	\$6.00
85	167127	Holder, sensor	1	076-1988-01	\$2.00
86	167128	Cover, sensor	2	078-0984-16	\$3.00
87	Consult	Cover, head	1	078-0840-31	\$20.00
88	Consult	Lug	1	073-5832-06	\$4.00
89	159595	Catch, magnet	1	072-8605-01	\$4.00
90	Consult	Cover, side	1	078-0841-35	\$48.00
92	Consult	Gasket	1	065-1825-01	\$3.00
93	Consult	Collar spacer	2	041-1695-06	\$1.00
95	172667	Spring, coil, compressive	3	072-8616-01	\$4.00
96	187470	Screw, cross pan head	2	090-5431-02	\$1.00
97	187471	Plain washer	2	090-5432-06	\$1.00
98	187472	Spring washer	2	090-5433-00	\$1.00
100	187473	Collar B	6	079-8972-09	\$10.00
101	187474	Block A, assist	3	091-8679-07	\$7.00
102	187475	Collar A	1	095-9235-00	\$14.00
500	98652	PWB, P-925-1, thermal print head junction board (A180)	1	068-9930-19	\$39.00
501	87531	Printer head, thermal (E180)	1	094-0086-01	\$225.00
502	105979	Magnet, green, head up proximity switch (B101)	1	067-2609-01	\$15.00
503	87534	Photo interruptor, trans, peel sensor, right (B104)	1	064-5587-01	\$10.50
—	189088	Screw, mount, phillips pan head, M2x4 SST	4	000-000-0067-00	\$1.00
504	87535	Photo interruptor, trans, receive, peel sensor, left (B105)	1	066-4500-09	\$10.50
505	112867	Harness, C2, thermal head	1	071-4583-38	\$52.00
506	132029	Harness, C2, sensor junction	1	071-4549-31	\$4.00
507	102190	Sensor assy, label gap sensor (B102, B103)	1	098-8086-00	\$27.00
508	105978	Sensor assy, head up (B100)	1	098-8087-12	\$25.00
510	Consult	Sheet, set, printer	1	106-6698-09	\$48.00

Ishida WM-4000

Printer Unit



- B100 - Head up proximity sensor assy
- B101 - Head up proximity switch, magnet, green
- B102 - Label gap sensor assy, receiver, black
- B103 - Label gap sensor assy, emitter, red
- B104 - Peel sensor, transmitter, right
- B105 - Peel sensor, receiver, left

Display Unit

Part Number/Price

REF #	PART #	DESCRIPTION	QTY	SYNONYM	PRICE
1	Consult	Case, controller, front	1	091-2133-09	\$9.00
2	Consult	Case assy, controller, rear	1	098-8224-07	\$11.00
3	Consult	Cover, connector	1	070-3082-01	\$5.00
4	Consult	Cover, volume	1	070-3083-04	\$2.00
5	Consult	Frame, controller	1	098-3213-08	\$22.00
6	Consult	Bracket, connector, operation	1	074-7213-05	\$6.00
7	Consult	Sheet	3	074-7467-04	\$3.00
9	Consult	Sheet, display	1	106-6702-01	\$99.00
10	198411	Hinge, torque	2	072-8703-02	\$29.00
14	Consult	Accessory, clamp, wire	2	022-7035-09	\$3.00
15	48233	Screw, cross pan head, M3x6 pan head SST	2	000-0069-07	\$1.25
16	Consult	Screw, cross pan head	2	002-5338-01	\$1.00
17	Consult	Screw, cross pan head	8	072-8769-08	\$1.00
18	Consult	Screw, cross pan head, BWA S2P2	6	000-0321-06	\$1.00
19	189335	Tapping screw, cross pan, P	4	072-8766-07	\$1.00
20	Consult	Cross head, set screw S2P2, M4x10 mm SST	2	014-3997-02	\$1.00
21	189336	Tapping screw, cross pan head	1	072-8768-04	\$1.00
50	98408	Display, liquid crystal, TFT (H260)	1	101-1855-02	\$1,140.00
51	98402	Touch pane, analog (B280)	1	069-6657-18	\$128.00
52	Consult	Inverter (A250)	1	098-8337-04	\$65.00
53	104766	PWB, P-917B-2, operation console board (A280)	1	098-8264-24	\$359.00
54	Consult	Harness, C2, key junction	1	069-6731-20	\$12.00
55	Consult	Harness, C4, TFT	1	098-3156-27	\$65.00
56	Consult	Harness, C2, inverter	1	098-3155-14	\$10.00
58	Consult	Volume assy, brightness (B281)	1	098-8130-01	\$18.00
59	Consult	Plate, spacer	1	098-3464-06	\$4.00
60	Consult	Plate, spacer	2	098-3465-19	\$3.00

Price and availability confirmation recommended

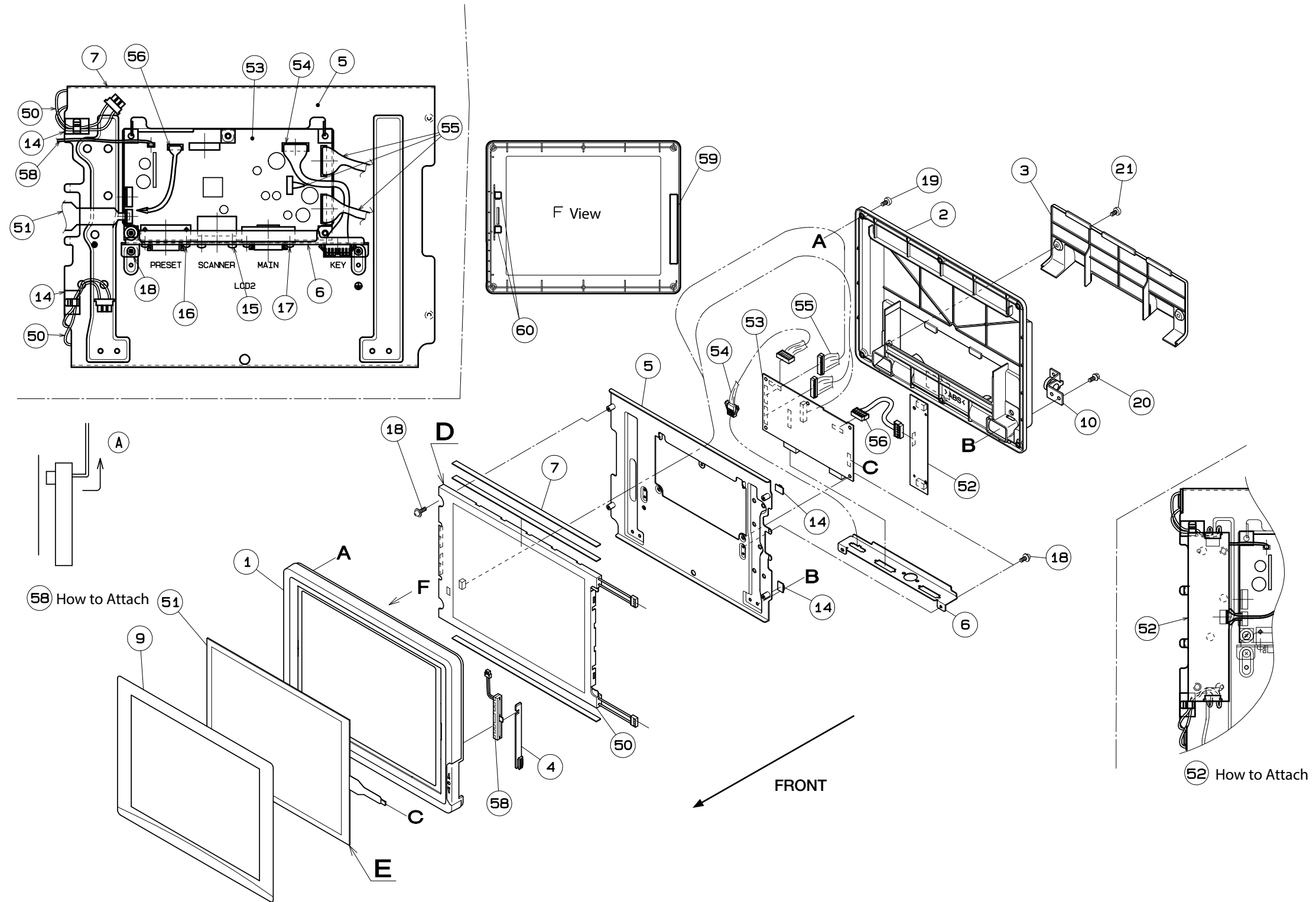
An ISO 9001 Registered Company © 2020 Rice Lake Weighing Systems 04/01/20 Prices and specifications subject to change without notice. Visit ricelake.com for current prices.

RICE LAKE
WEIGHING SYSTEMS

Discontinued Products

Ishida WM-4000

Display Unit



Key Unit

Part Number/Price

REF #	PART #	DESCRIPTION	QTY	SYNONYM	PRICE
1	Consult	Case, key, front	1	070-3084-08	\$6.00
2	Consult	Key rear assy	1	072-8744-32	\$30.00
3	Consult	Accessory, clamp, code sticker	1	002-5711-08	\$1.00
4	Consult	Tapping screw, plus pan, P tight	1	072-8767-01	\$1.00
5	Consult	Cross hex, set screw S2P2, M4x10 mm SST	4	014-3997-02	\$1.00
70	98407	Keyboard assy (E240)	1	108-0485-05	\$319.00
71	Consult	Harness, C2, ten key	1	069-6732-32	\$15.00
999	98400	Cover, 10-key, clear, adhesive		000-092-8430-13	\$50.00

Discontinued Products

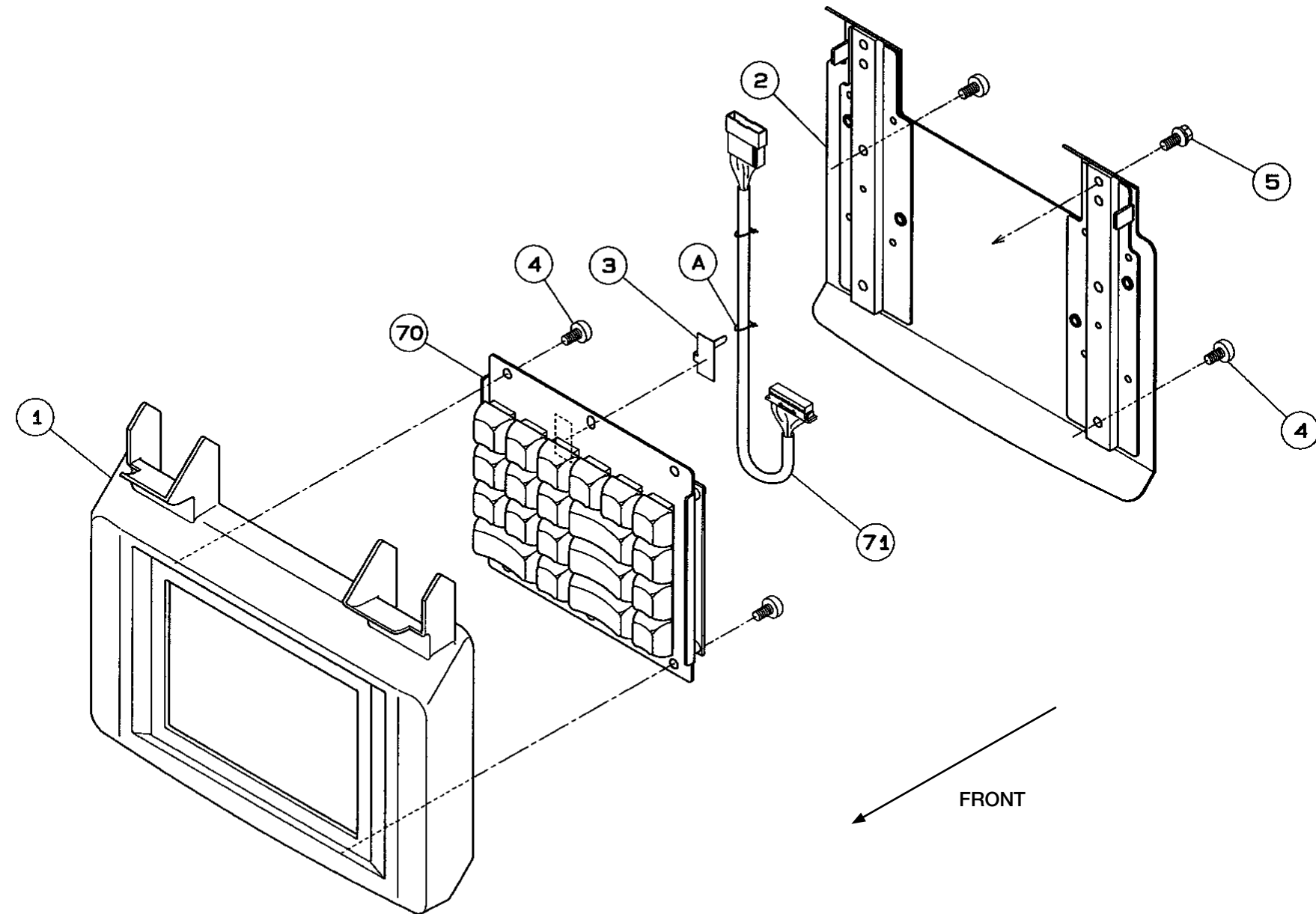
Price and availability confirmation recommended

An ISO 9001 Registered Company © 2020 Rice Lake Weighing Systems 04/01/20 Prices and specifications subject to change without notice. Visit ricelake.com for current prices.



Ishida WM-4000

Key Unit



Weigh Scale Unit

Part Number/Price

REF #	PART #	DESCRIPTION	QTY	SYNONYM	PRICE
1	Consult	Case, scale, lower	1	042-4923-03	\$69.00
2	Consult	Collar	4	076-9992-05	\$4.00
3	Consult	Support weigh	1	072-8825-12	\$16.00
4	Consult	Base, weigh	1	045-3530-01	\$31.00
5	47030	Load cell assy unit, CLC-25N (B290)	1	047-3068-01	\$359.00
6	184704	Support, weigh, front	1	073-7128-13	\$31.00
7	Consult	PWB accessory, card spacer	1	043-1633-00	\$5.00
8	Consult	Bracket, level	1	073-7200-19	\$27.00
9	172672	Level assy	1	011-2854-08	\$18.00
11	Consult	Plate B, back plate	1	079-1295-14	\$2.00
12	Consult	Accessory, bush, cable	1	074-7145-05	\$2.00
13	Consult	Case, scale, upper	1	042-4922-19	\$45.00
14	78711	Seal	1	046-2413-02	\$2.00
15	91178	Seal, rivet	2	040-9585-01	\$9.00
16	Consult	Case, scale, cover	1	042-4918-22	\$9.00
18	189309	Supporter, platter	1	040-6759-48	\$33.00
22	Consult	Cover, circuit board, scale	1	108-0293-07	\$66.00
23	186547	Filter, ferrite (E290)	1	044-2730-09	\$9.00
25	157921	Weigh platter assy	1	090-0950-10	\$52.00
29	98401	PWB, P-930, A/D board (A290)	1	070-3480-73	\$280.00
30	131364	Harness, C4, scale communication	1	071-4657-58	\$61.00
31	186416	Filter, ferrite core	1	074-0771-01	\$9.00
32	Consult	Name plate, specification	1	106-6705-01	Consult

Price and availability confirmation recommended

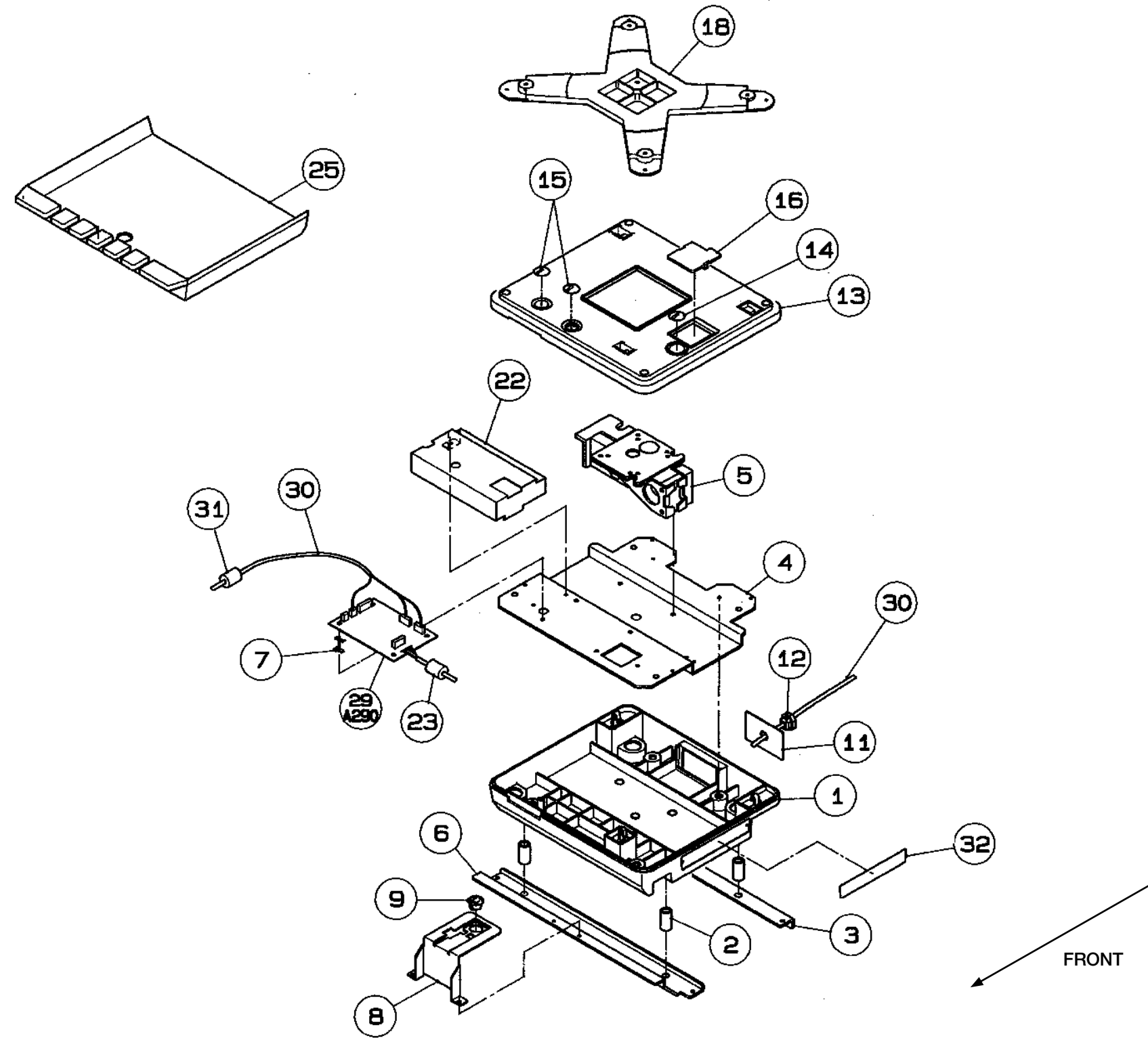
An ISO 9001 Registered Company ©2020 Rice Lake Weighing Systems 04/01/20 Prices and specifications subject to change without notice. Visit ricelake.com for current prices.

RICE LAKE
WEIGHING SYSTEMS

Discontinued Products

Ishida WM-4000

Weigh Scale Unit



Control Unit Auto

Part Number/Price

REF #	PART #	DESCRIPTION	QTY	SYNONYM	PRICE
1	Consult	PWB accessory, collar bush	4	000-1845-04	\$1.00
2	Consult	Frame, console, lower	1	079-8935-38	\$69.00
3	Consult	Frame, console	1	079-8936-41	\$115.00
4	Consult	PWB accessory, spacer	8	058-7652-08	\$2.00
5	Consult	PWB accessory, spacer	6	073-7206-01	\$2.00
8	Consult	Cover, inside	1	079-8934-07	\$23.00
10	Consult	Cover, connector	1	070-5198-15	\$21.00
11	Consult	Collar spacer	3	001-6812-07	\$1.00
12	Consult	Collar spacer	1	000-7831-04	\$1.00
14	Consult	Connector, D sub, accessory	2	070-9748-09	\$3.00
15	Consult	Connector, D sub, accessory	4	070-9749-02	\$2.00
17	Consult	Plate A	1	098-3314-10	\$4.00
18	Consult	Accessory, fastener, edge saddle	1	064-0360-05	\$2.00
19	47015	Accessory, bush, open lock	1	013-8916-01	\$2.25
21	Consult	Name plate, specification	1	116-1932-01	\$0.00
22	Consult	Name plate, explanation, connect	1	073-7113-09	\$4.00
50	98653	PWB, P-910H-2, CPU board (A140)	1	097-5687-37	\$893.00
51	98651	PWB, P-909D-3, thermal printer board (A100)	1	101-7737-08	\$218.00
52	Consult	PWB, P-918A-1, connector board (A270)	1	069-6884-17	\$166.00
53	Consult	PWB, P-919B-3, display interface board (A160)	1	101-1508-00	\$213.00
54	87521	Power supply, switching, DL-912W (U220)	1	106-1434-04	\$307.00
56	99133	Fuse, glass tube, 250V 8A (F210, F211)	3	017-5713-01	\$2.00
57	72857	Fuse holder, terminal type	1	000-4119-04	\$9.00
58	72856	Fuse holder, terminal type	1	040-2724-07	\$9.00
60	Consult	Harness, S2, PS 24V	1	069-6683-15	\$11.00
62	Consult	Harness, C2, peripheral INT1	1	069-4847-21	\$12.00
63	Consult	Harness, C2, inverter junction	1	069-6689-26	\$5.00
64	Consult	Harness, S2, RS-232C	1	069-6688-22	\$7.00
65	Consult	Harness, C4, LCD junction	1	098-3157-30	\$26.00
67	Consult	Harness, C2, COMM	1	069-4846-36	\$25.00
68	Consult	Harness, C5, sensor junction 2	1	071-4550-62	\$27.00
69	Consult	Harness, C3, PS	1	069-6685-31	\$14.00
70	Consult	Harness, C4, motor junction	1	071-4553-36	\$20.00
71	Consult	Harness, S2, thermal head	1	069-6673-54	\$88.00
72	Consult	Harness, S2, power junction	1	063-8454-12	\$3.00
73	Consult	Harness, C5, RS-485	1	070-9689-30	\$20.00
75	Consult	Harness, C3, PS AC	1	069-6759-32	\$8.00
76	Consult	Harness, C2, scale	1	090-0940-03	\$9.00
77	Consult	Harness, S2, operation	1	074-0831-01	\$82.00
78	Consult	PWB, P-967-1 ethernet board (A200)	1	095-4469-06	\$21.00
79	Consult	Harness, S2, ethernet	1	096-7500-07	\$12.00
80	Consult	PWB accessory, spacer	2	064-1783-01	\$2.00
81	Consult	PWB accessory, card spacer	1	043-1634-03	\$5.00
82	47027	PWB accessory, card spacer	3	000-1796-05	\$1.00
91	Consult	SEAL, name plate	1	072-8875-00	\$5.00
93	Consult	Filter, ferrite core	1	103-4034-07	\$5.00
94	Consult	Filter, ferrite core	4	074-0771-01	\$9.00
95	186522	Filter, ferrite core	1	096-9524-03	\$9.00

Price and availability confirmation recommended

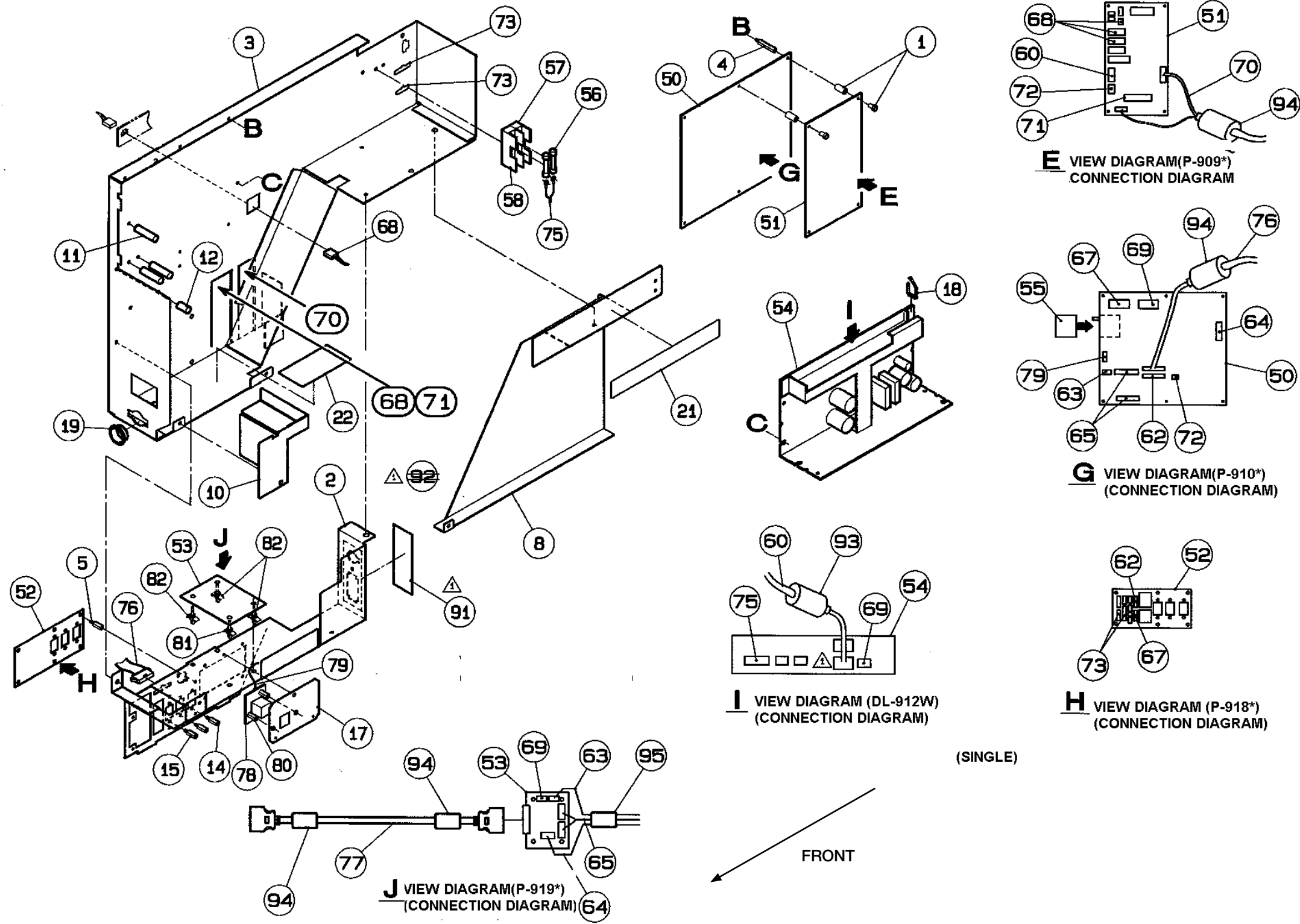
An ISO 9001 Registered Company © 2020 Rice Lake Weighing Systems 04/01/20 Prices and specifications subject to change without notice. Visit ricelake.com for current prices.

RICE LAKE
WEIGHING SYSTEMS

Discontinued Products

Ishida WM-4000

Control Unit Auto



Connection Unit

Part Number/Price

REF #	PART #	DESCRIPTION	QTY	SYNONYM	PRICE
1	Consult	Bracket rotation, console	1	090-0769-58	\$72.00
2	Consult	Stay console	1	090-0770-16	\$112.00
3	Consult	PlateA, round	1	069-4614-01	\$3.00
4	47159	Knob, includes nut	1	000-1543-00	\$4.00
5	Consult	Hex bolt, M6x65 mm SST	1	002-2240-00	\$1.00
6	Consult	Wave washer, M10 black oxide	1	004-7621-08	\$1.00
7	Consult	Collar	1	072-2355-08	\$8.00
8	Consult	Harness, S2, ground	1	076-9602-11	\$4.00

Discontinued Products

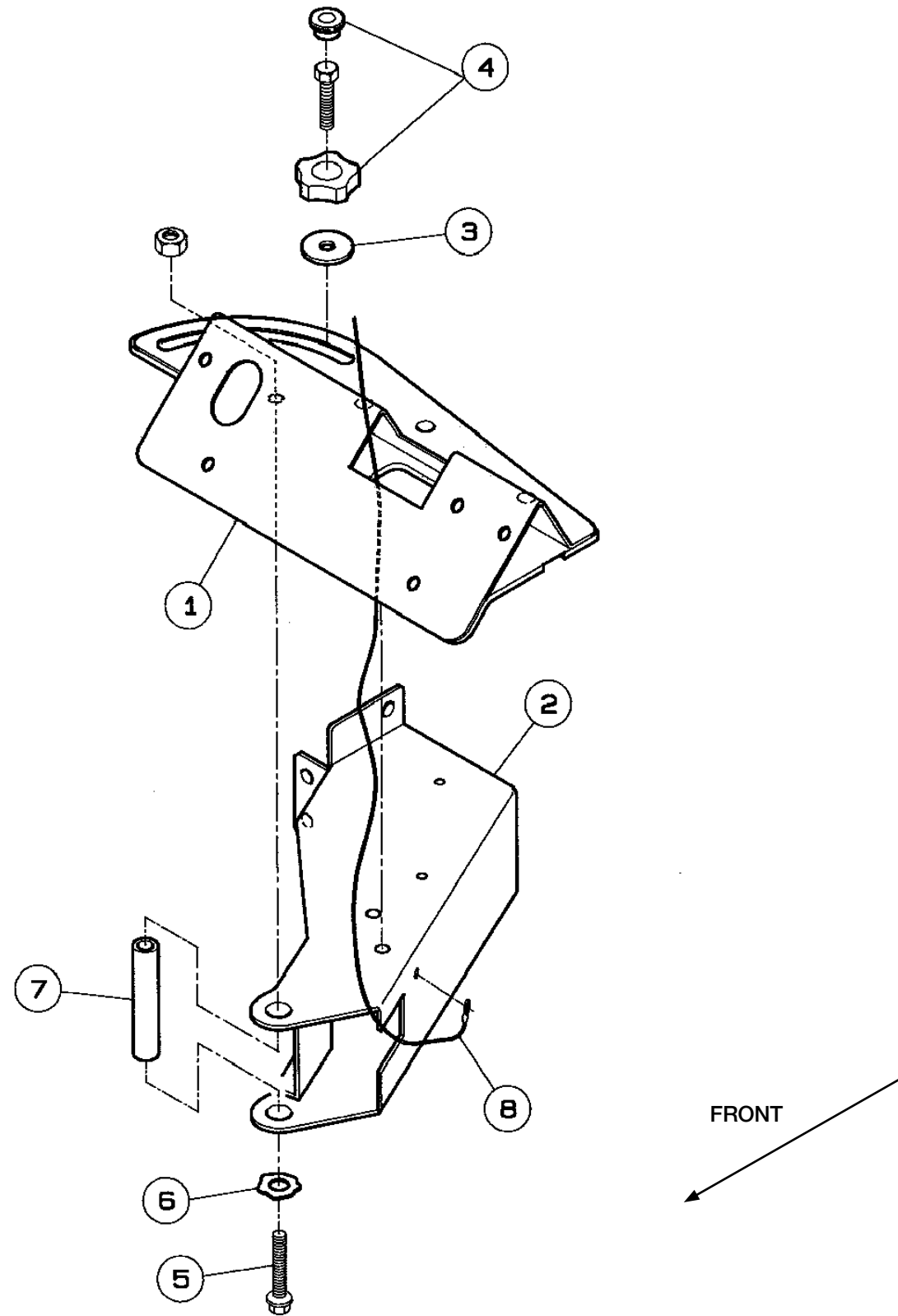
Price and availability confirmation recommended

An ISO 9001 Registered Company © 2020 Rice Lake Weighing Systems 04/01/20 Prices and specifications subject to change without notice. Visit ricelake.com for current prices.



Ishida WM-4000

Connection Unit



Transformer Unit

Part Number/Price

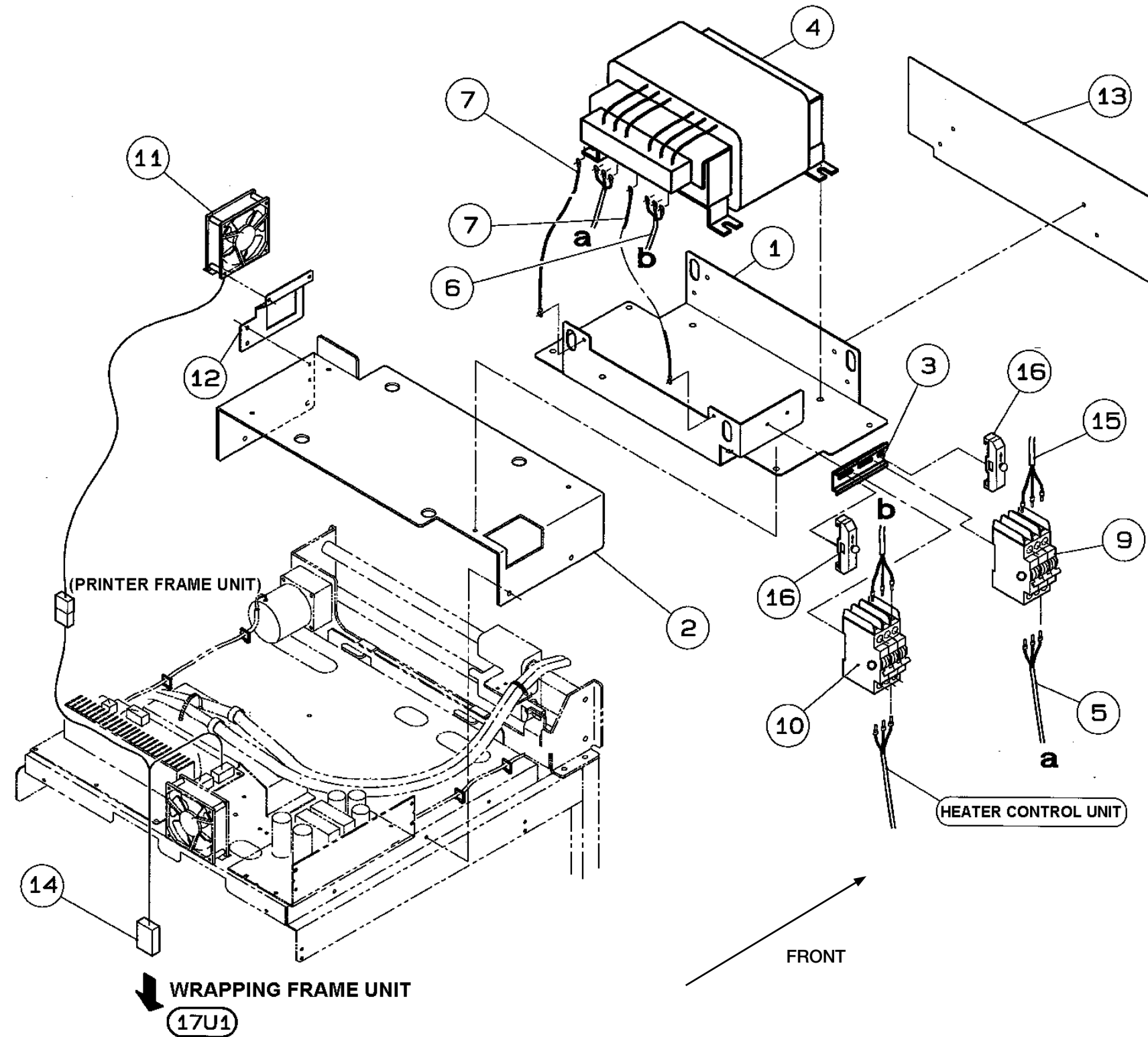
REF #	PART #	DESCRIPTION	QTY	SYNONYM	PRICE
1	Consult	Bracket, transformer, PS	1	117-3151-04	Consult
2	Consult	Base, transformer	1	103-3573-13	\$82.00
3	Consult	Rail, DIN	1	018-2824-07	\$9.00
4	Consult	Transformer, 3 PH	1	116-1836-07	\$1,456.00
5	Consult	Harness, C6, PS	1	117-3485-08	\$24.00
6	Consult	Harness, C6, PS	1	117-3486-01	\$22.00
7	Consult	Harness, S2, ground	2	053-8930-01	\$3.00
9	Consult	Breaker	1	117-3291-02	\$128.00
10	Consult	Breaker	1	117-3292-06	\$109.00
11	Consult	Fan assy	1	108-0398-04	\$79.00
12	Consult	Bracket, fan	1	108-0230-02	\$69.00
13	Consult	Plate B transformer	1	108-0244-04	\$69.00
14	Consult	Harness, C3, PS motor	1	108-3560-02	\$26.00
15	Consult	Harness, S6, power AC	1	117-3484-04	\$33.00
16	Consult	Accessory, attachment, terminal	2	061-1520-06	\$2.00

Price and availability confirmation recommended

An ISO 9001 Registered Company © 2020 Rice Lake Weighing Systems 04/01/20 Prices and specifications subject to change without notice. Visit ricelake.com for current prices.

Ishida WM-4000

Transformer Unit



Noise Filter Unit

Part Number/Price

REF #	PART #	DESCRIPTION	QTY	SYNONYM	PRICE
1	Consult	Bracket, filter, noise	1	108-8165-11	\$65.00
2	Consult	Filter, noise	1	023-1640-08	\$213.00
3	Consult	PWB, P-859-1	1	075-1429-08	\$52.00
4	Consult	Filter, ferrite core	5	103-4034-07	\$5.00
5	186522	Filter, ferrite core	1	096-9524-03	\$9.00
7	Consult	Harness, C6, servo supply	1	108-8163-05	\$24.00
8	Consult	Harness, C3, servo power	1	108-8164-09	\$28.00
9	Consult	Harness, S2, ground	1	053-8930-01	\$3.00
10	Consult	Harness, S2, ground	1	052-9807-01	\$3.00

Discontinued Products

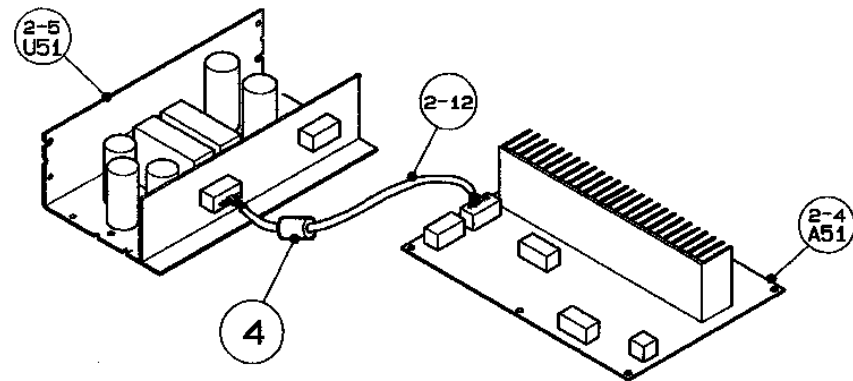
Price and availability confirmation recommended

An ISO 9001 Registered Company © 2020 Rice Lake Weighing Systems 04/01/20 Prices and specifications subject to change without notice. Visit ricelake.com for current prices.

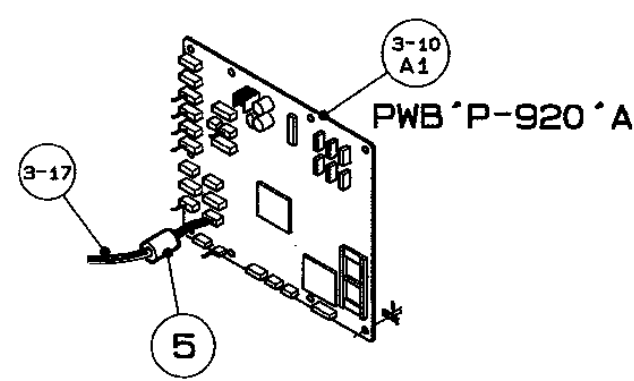


Ishida WM-4000

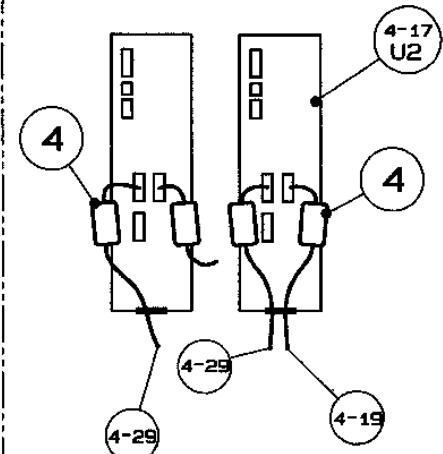
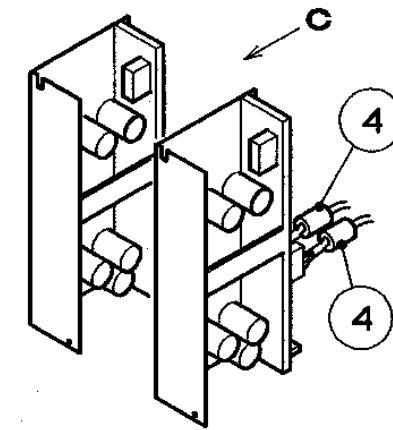
Noise Filter Unit



2 APPLICATOR UNIT::STABILITY FERRITE CORE INSTALLATION

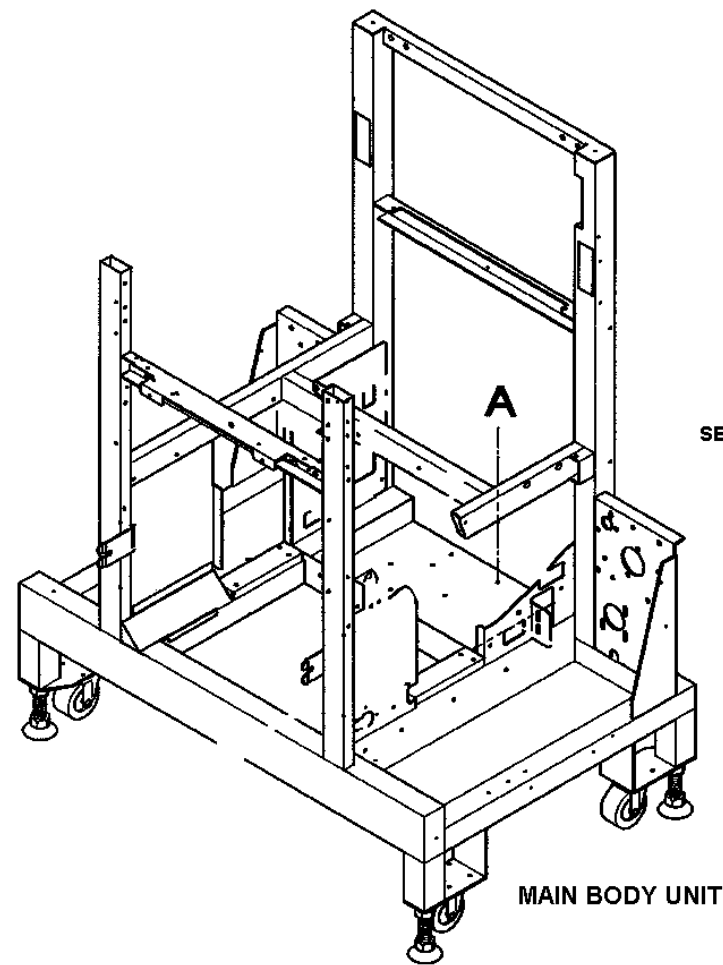


3 WRAPPING CONTROL UNIT FERRITE CORE INSTALLATION

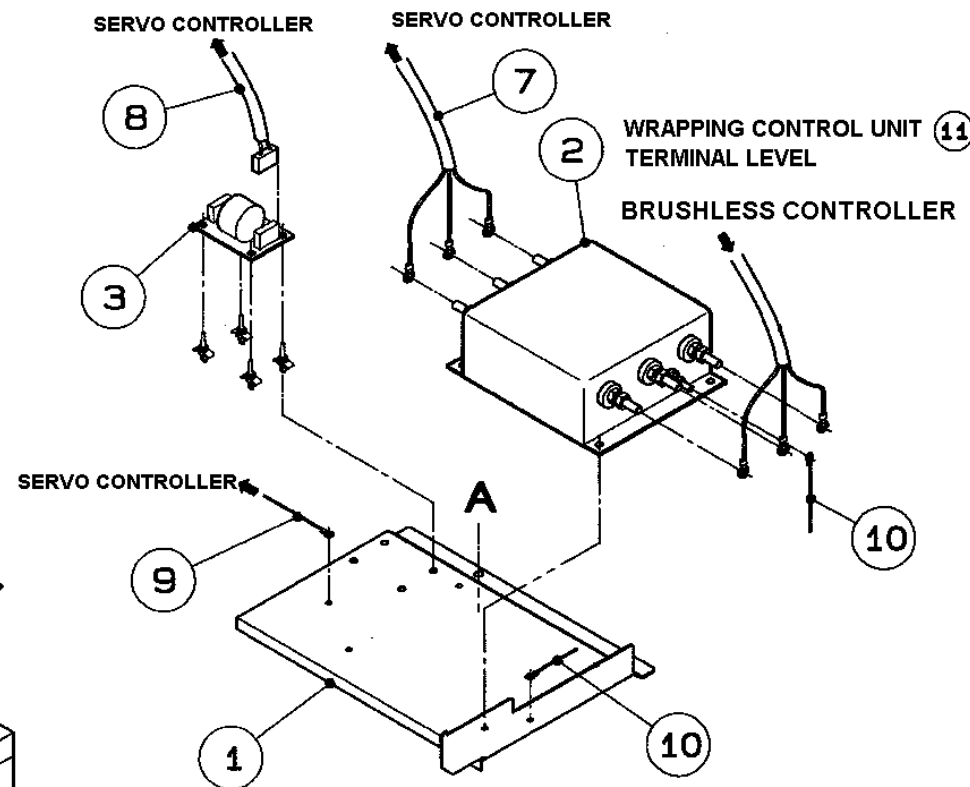


C VIEW DIAGRAM (CONNECTION DIAGRAM)

4 WRAPPING FRAME UNIT FERRITE CORE INSTALLATION



MAIN BODY UNIT



FRONT

ISHIDA WM-4000

Heater Control Unit, Addition

Part Number/Price

REF #	PART #	DESCRIPTION	QTY	SYNONYM	PRICE
1	Consult	Cover, wrapper	1	108-0249-02	\$72.00
2	Consult	Name plate, ground	1	052-0232-08	\$5.00

Discontinued Products

Price and availability confirmation recommended

An ISO 9001 Registered Company ©2020 Rice Lake Weighing Systems 04/01/20 Prices and specifications subject to change without notice. Visit ricelake.com for current prices.

RICE LAKE
WEIGHING SYSTEMS

325

