

RL972

Heavy Capacity, Square Top

**Applications**

- Heavy capacity tanks, blenders, reactors and bulk inventory management
- Petroleum refining process control
- Chemical blending/batching

Optional Features

- Load cell checking system

Mount Only. Does Not Include Load Cell

The RL972 mount is designed to be used with the RL97 load cell. Low-profile compression design allows mounts to be integrated into tank weigh module systems. Design moves with tilt of the plate to provide stable weighing. The mount can be installed without the load cell.

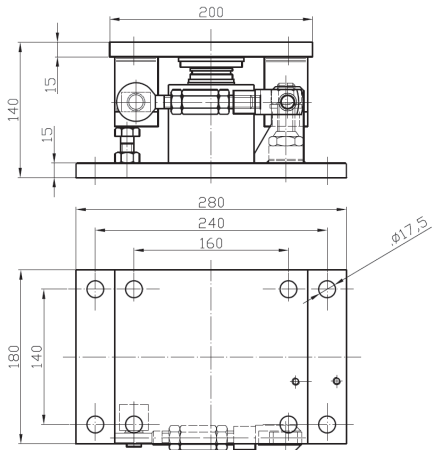
Order Information

Nominal Capacity	Part #	Price
Nickel		
15t	161303	Consult
20t	161305	Consult
25t	161307	Consult
30t	161309	Consult
35t	161311	Consult
40t	161313	Consult
50t	161315	Consult
75t	161317	Consult
100t	161319	Consult
200t	161321	Consult
Stainless Steel		
15t	161304	Consult
20t	161306	Consult
25t	161308	Consult
30t	161310	Consult
35t	161312	Consult
40t	161314	Consult
50t	161316	Consult
75t	161318	Consult
100t	161320	Consult
200t	161322	Consult

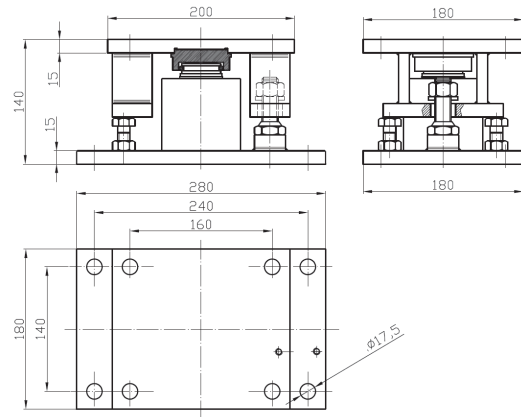
Note: Refer to page 258 for load cell information

Options/Accessories

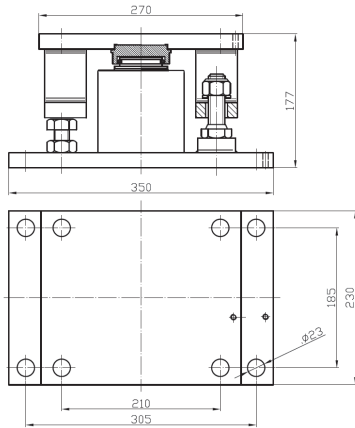
Description	Rating	Part #	Price
Nickel			
Load cell checking	200t	161327	Consult
Stainless Steel			
Load cell checking	200t	161328	Consult



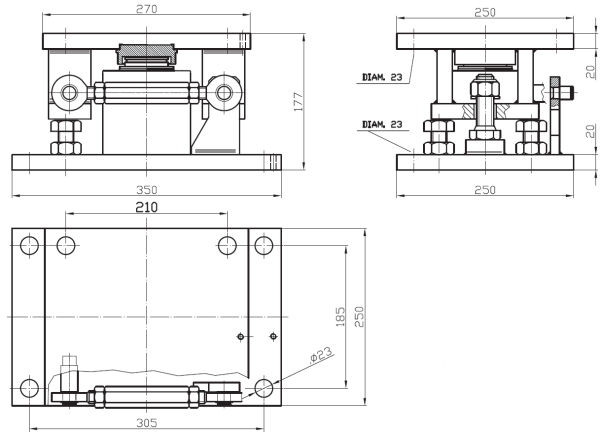
RL972M 10-40t



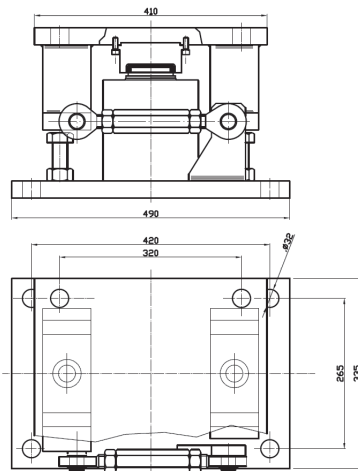
RL972 10 to 40 t



RL972 50 to 100 t



RL972M 50 to 100 t



RL972 200 t