

RL923 (Ball Mount Top)

Mount Tank, Hopper and Vessel Weighing, Nickel or Stainless Steel

Applications

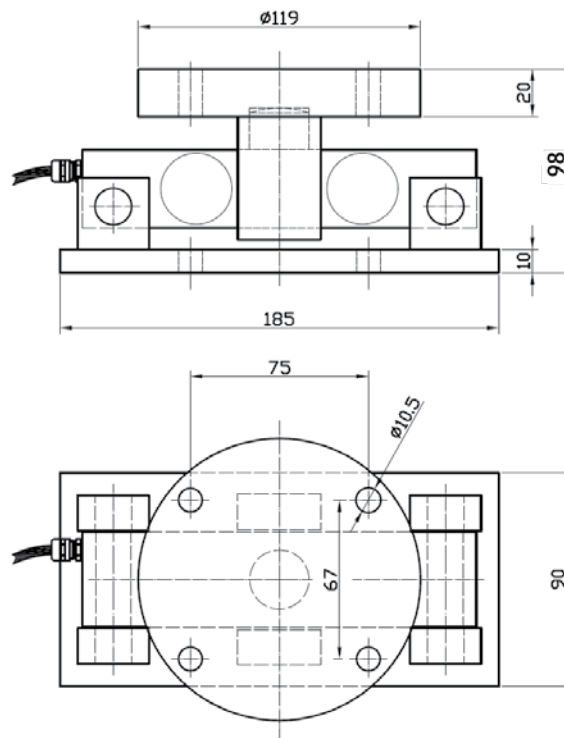
- Medium capacity hoppers, bins or tanks
- Chemical batching/blending
- Fertilizer blending



Mount Only. Does Not Include Load Cell
Order Information

Nominal Capacity	Part #	Price
Ball / Nickel RL923N / Including Base Plate		
3.000 kg	161151	Consult
4.000 kg	161155	Consult
5.000 kg	161159	Consult
7.500 kg	161163	Consult
10.000 kg	161167	Consult
Base Plate Only / Nickel RL92N		
3.000-10.000 kg	161147	Consult
Ball / Stainless Steel RL923S / Including Base Plate		
3.000 kg	161152	Consult
4.000 kg	161156	Consult
5.000 kg	161160	Consult
7.500 kg	161164	Consult
10.000 kg	161168	Consult
Base Plate Only / Stainless Steel RL92S		
3.000-10.000 kg	161148	Consult

Note: Refer to page 236 for load cell information



RL923