

**RL921 (Teton Top)**

Mount Tank, Hopper and Vessel Weighing, Nickel or Stainless Steel

**Applications**

- Medium capacity hoppers, bins or tanks
- Chemical batching/blending
- Fertilizer blending

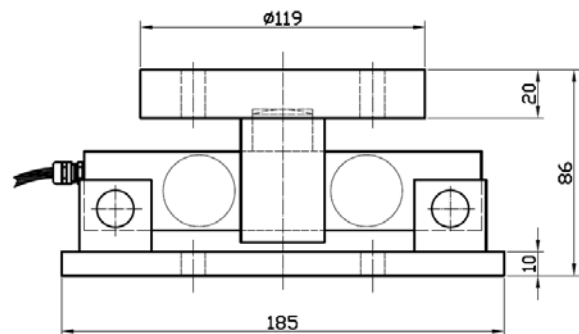
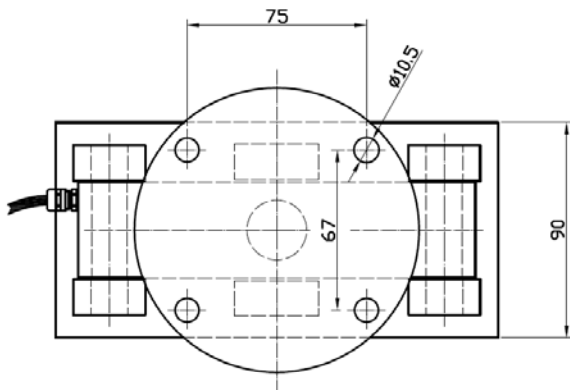
**Mount Only. Does Not Include Load Cell**

The RL92 Series mounting assembly utilizes the RL92 load cell and foot plate to provide an unmatched level of performance in tank and hopper weighing applications. The RL92 Series mount is ideally suited for indoor and outdoor process control operations with medium-range capacities. Modules are available with ball mount or standard mount, nickel-plated treatment or stainless steel construction.

**Order Information (Includes load cell)**

Nominal Capacity	Part #	Price
<b>Teton / Nickel RL921N / Including Base Plate</b>		
3.000 kg	161149	Consult
4.000 kg	161153	Consult
5.000 kg	161157	Consult
7.500 kg	161161	Consult
10.000 kg	161165	Consult
<b>Base Plate Only / Nickel RL92N</b>		
3.000-10.000 kg	161147	Consult
<b>Teton / Stainless Steel RL921S / Including Base Plate</b>		
3.000 kg	161150	Consult
4.000 kg	161154	Consult
5.000 kg	161158	Consult
7.500 kg	161162	Consult
10.000 kg	161166	Consult
<b>Base Plate Only / Stainless Steel RL92S</b>		
3.000-10.000 kg	161148	Consult

Note: Refer to page 236 for load cell information



RL921