

**RL35**

Mount Options, Small to Light Capacity



Lift Off Mount



Elastomer Tank Kit



Load Foot 168691



Load Foot 168689



Load Foot 168690



Stainless Steel Ball Set

Complete mounting solutions for the RL35 single-end beam load cell. Lift-off mount provides protection for the RL35 load cell. Mounting solutions available in alloy or stainless steel. Base plate is available to fill application needs for plate only. Lift-off silent block works in conjunction with base plate to provide correct protection. Ball set provides correct oscillation for mounting applications.

**Standard Features**

- Stainless steel and rubber models available
- Designed to work with RL35 load cells
- Lift-off mount
- Base plate only
- Ball set for oscillation
- Lift-off silent block

**Applications**

- Small tanks and hoppers
- Conveyors and in-motion weighing
- Small platform scales

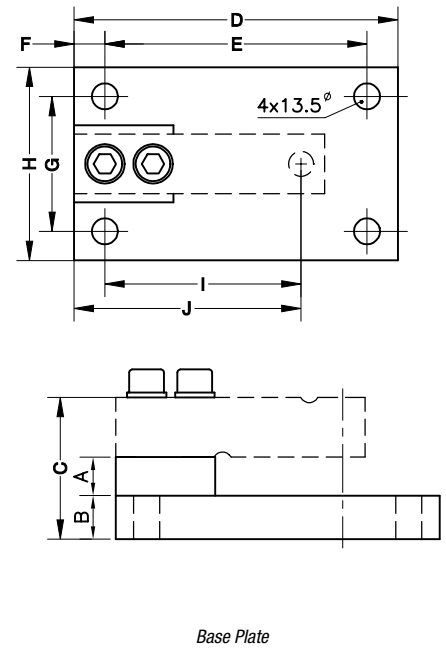
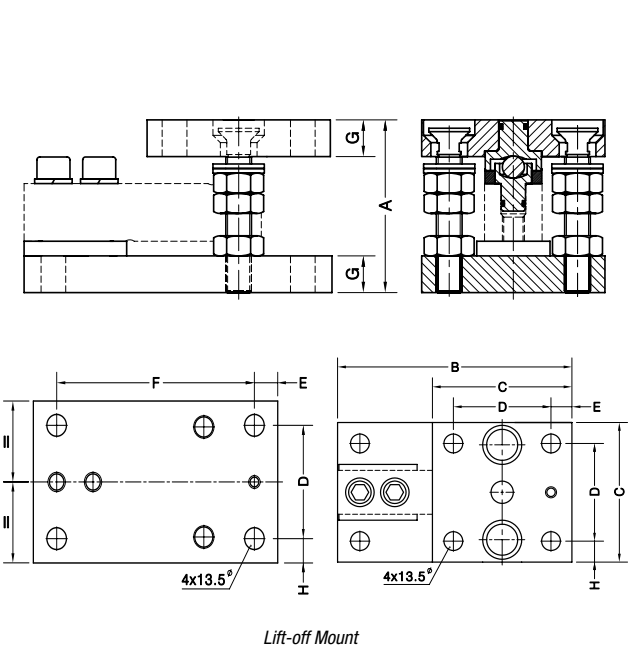
**Order Information: Stainless Steel**

Nominal Capacity	Part #	Est. Weight	Price
<b>Lift-off Mount</b>			
0,3 to 2t	<b>161107</b>	4,5 kg	Consult
3 to 5t	<b>161109</b>	8,5 kg	Consult
<b>Base Plate</b>			
0,3 to 2t	<b>161111</b>	3,2 kg	Consult
3 to 5t	<b>161113</b>	5,8 kg	Consult
<b>Elastomer Tank Kit</b>			
0,3 to 2t	<b>160872</b>	2 kg	Consult
3 to 5t	<b>160873</b>	3,2 kg	Consult
<b>Stainless Steel Ball Set</b>			
0,3 to 2t	<b>163042</b>	0,1 kg	Consult
3 to 5t	<b>163043</b>	0,15 kg	Consult
<b>Neoprene Rubber Mount Top</b>			
0,3 to 1t	<b>157678</b>	1 kg	Consult
2t	<b>157679</b>	1 kg	Consult
<b>Load Foot</b>			
0,3 to 2t	<b>168689</b>	1 kg	Consult
0,3 to 2t	<b>168691</b>	1 kg	Consult
0,3 to 2t, self centering	<b>168690</b>	1 kg	Consult

Note: Refer to "RL35" on page 221 for load cell information  
Mounts and load feet do not include load cell

**Order Information: Alloy Steel**

Nominal Capacity	Part #	Est. Weight	Price
<b>Lift-off Mount</b>			
0,3 to 2t	<b>161106</b>	4,5 kg	Consult
3 to 5t	<b>161108</b>	8,5 kg	Consult
<b>Base Plate</b>			
0,3 to 2t	<b>161110</b>	3,2 kg	Consult
3 to 5t	<b>161112</b>	5,8 kg	Consult

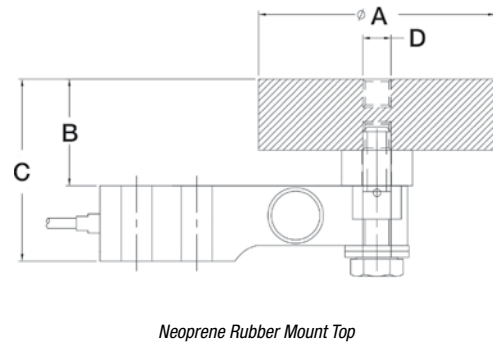
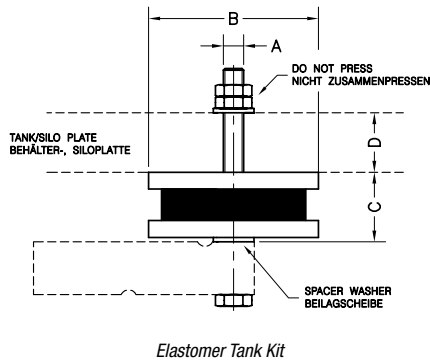


**Dimensions**

Rated Capacity	A	B	C	D	E	F	G	H
mm								
0,3 - 2t	94	168	100	70	16	136	20	15
3 to 5t	113	212	120	84	19	175	25	18

**Dimensions**

Rated Capacity	A	B	C	D	E	F	G	H	I	J
mm										
0,3 - 2t	20	20	72	168	136	16	70	100	102	118
3 to 5t	20	25	93	212	175	19	84	120	134	152



**Dimensions**

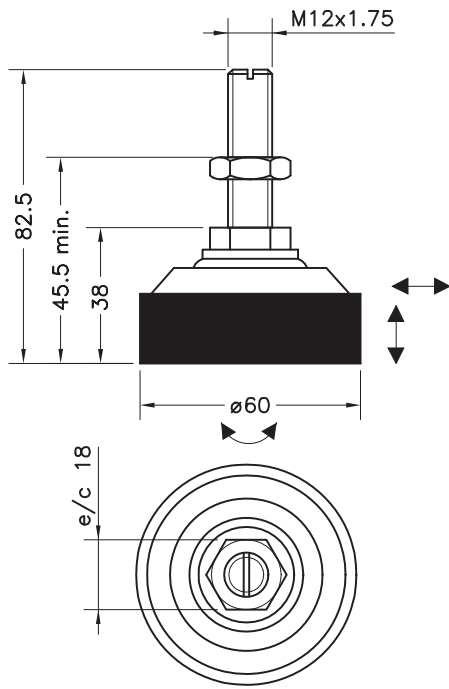
Rated Capacity	A	B	C	D
mm				
0,3 to 2t	M12	100	41	0-35
3 to 5t	M20	150	44	10-35

**Dimensions**

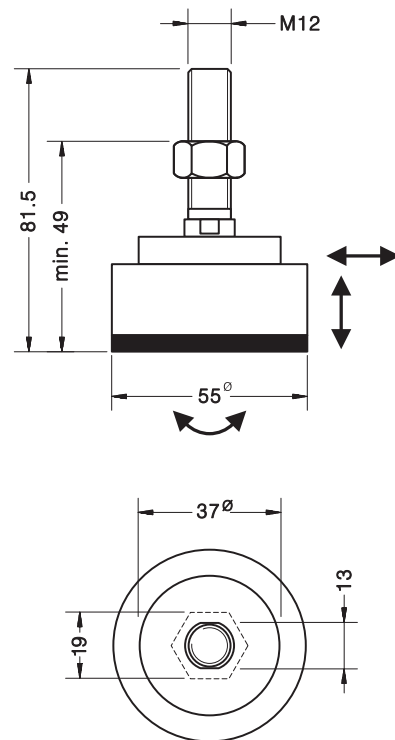
Rated Capacity	A	B	C	D
mm				
0,3 to 1t	100	45	76.8	M12
2t				

# RL35

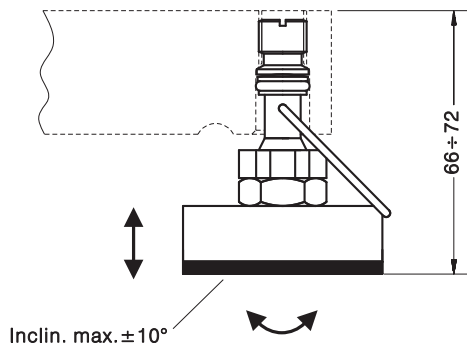
Mount Options, Small to Light Capacity



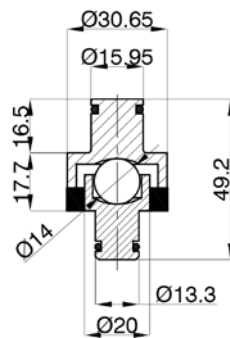
Load Foot, 168689



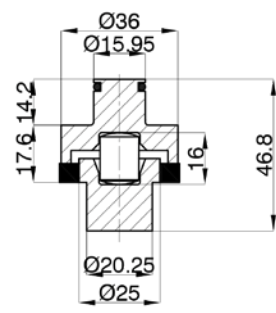
Load Foot, 168690



Load Foot, 168691



Stainless Steel Ball Set  
0,3 to 2 ton



Stainless Steel Ball Set  
3 to 5 ton