

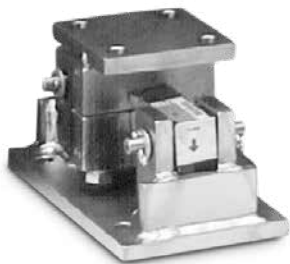
# RL1600 Series

Stainless Steel Weigh Modules

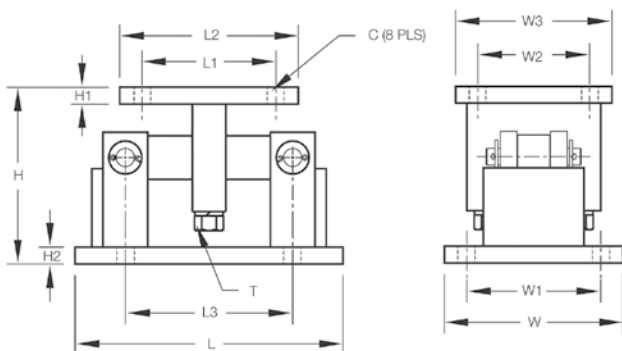


Available in configurations with three or four mounting assemblies.  
Picture is a representation of actual product

The RL1600 Series mounting module kit utilizes several Rice Lake Weighing Systems components to provide an unmatched level of performance in tank and hopper weighing applications. The RL1600 Series kit is ideally suited for indoor and outdoor process control operations in the medium-to high-capacity ranges. Each module incorporates self-checking capabilities for thermal expansion and contraction.



Fabricated stainless steel module with RL75016 SS double-ended beam load cell.



## Dimensions

Rated Capacity	C	H	H1	H2	L	L1	L2	L3	T	W	W1	W2	W3
kg/mm													
453,6 - 2.268,0 kg	14,2	127,0	12,7	12,7	235,0	69,9	101,6	158,8	1/2-13 UNC	127,0	95,3	69,9	101,6
4.535,9 - 11.339,8 kg	19,8	199,9	19,1	19,1	304,8	152,4	203,2	190,5	3/4-10 UNC	203,2	152,4	152,4	203,2
22.679,7 - 34.019,5 kg	19,8	234,9	25,4	25,4	412,8	165,1	228,6	292,1	1 1/4-7 UNC	304,8	241,3	165,1	228,6

## Standard Features

- Capacities (per module): 453,6 kg-34.019,5 kg
- 304 stainless steel construction
- Self-checking, easy-to-use design allows module to be bolted directly to tank leg without requiring additional mounting plates or load buttons
- Environmentally protected load cells
- Double-ended shear beam design, center loaded

## Optional Features

- Kits available with VPG Sensortronics 65016W SS load cells

## Applications

- Medium-to heavy-capacity tanks, bins, and hoppers
- Bulk material management

## Complete Kit Includes

- One JB4SS NEMA Type 4X stainless steel signal trim junction box
- Three or four RL1600 stainless steel compression mounts
- Three or four RL75016 SS stainless steel double-ended shear beam load cells
- 7,6 m of our hostile environment EL147HE SURVIVOR® load cell cable

## Load Cell Certifications



## RL1600 Series

Stainless Steel Weigh Modules

### Order Information

Load Rating (Per Module)	Part #	Price
<b>Single Module (Does NOT Include Load Cell)</b>		
453,6 - 2.268,0 kg	<b>17813</b>	Consult
4.535,9 - 11.339,8 kg	<b>17815</b>	Consult
22.679,6 kg	<b>17842</b>	Consult
34.019,5 kg	<b>25347</b>	Consult
<b>3-Module Kit</b>		
453,6 kg	<b>18141</b>	Consult
680,4 kg	<b>18142</b>	Consult
907,2 kg	<b>18143</b>	Consult
1.134,0 kg	<b>18144</b>	Consult
2.268,0 kg	<b>18145</b>	Consult
4.535,9 kg	<b>18146</b>	Consult
6.803,9 kg	<b>18147</b>	Consult
9.071,9 kg	<b>18148</b>	Consult
11.339,8 kg	<b>18149</b>	Consult
22.679,6 kg	<b>18150</b>	Consult
34.019,5 kg	<b>25352</b>	Consult
<b>4-Module Kit</b>		
453,6 kg	<b>18152</b>	Consult
680,4 kg	<b>18153</b>	Consult
907,2 kg	<b>18154</b>	Consult
1.134,0 kg	<b>18155</b>	Consult
2.268,0 kg	<b>18156</b>	Consult
4.535,9 kg	<b>18157</b>	Consult
6.803,9 kg	<b>18158</b>	Consult
9.071,9 kg	<b>18159</b>	Consult
11.339,8 kg	<b>18160</b>	Consult
22.679,6 kg	<b>18161</b>	Consult
34.019,5 kg	<b>25353</b>	Consult

### VPG Sensortronics 65016W Order Information

Load Rating (Per Module)	Part #	Price
<b>3-Module Kit</b>		
453,6 kg	<b>18213</b>	Consult
680,4 kg	<b>18214</b>	Consult
1.134,0 kg	<b>18216</b>	Consult
2.268,0 kg	<b>18217</b>	Consult
4.535,9 kg	<b>18218</b>	Consult
6.803,9 kg	<b>18219</b>	Consult
9.071,9 kg	<b>18220</b>	Consult
11.339,8 kg	<b>18221</b>	Consult
22.679,6 kg	<b>18222</b>	Consult
34.019,5 kg	<b>25354</b>	Consult
<b>4-Module Kit</b>		
453,6 kg	<b>18224</b>	Consult
680,4 kg	<b>18225</b>	Consult
1.134,0 kg	<b>18227</b>	Consult
2.268,0 kg	<b>18228</b>	Consult
4.535,9 kg	<b>18229</b>	Consult
6.803,9 kg	<b>18230</b>	Consult
9.071,9 kg	<b>18231</b>	Consult
11.339,8 kg	<b>18232</b>	Consult
22.679,6 kg	<b>18233</b>	Consult
34.019,5 kg	<b>25355</b>	Consult
<b>Dummy Load Cells (Mild Steel)</b>		
453,6 - 2.268,0 kg	<b>18236</b>	Consult
4.535,9 - 11.339,8 kg	<b>18237</b>	Consult
22.679,6 kg	<b>18238</b>	Consult

### Shims, Stainless

	Part #	Price
<b>453,6 - 2.268 kg</b>		
1,6	<b>150852</b>	Consult
3,2	<b>150853</b>	Consult
6,4	<b>150854</b>	Consult
<b>4.535,9 - 11.339,8 kg</b>		
1,6	<b>150855</b>	Consult
3,2	<b>150856</b>	Consult
6,4	<b>150857</b>	Consult
<b>22.679,6 - 34.019,4 kg</b>		
1,6	<b>150858</b>	Consult
3,2	<b>150859</b>	Consult
6,4	<b>150861</b>	Consult