

RL-HPJ

Hand Pallet Jack Scale



Specifications

Fork Dimensions:

Powder coated: 1,150 mm x 550 mm x 85 mm
Stainless steel: 1,180 mm x 550 mm x 80 mm

Weight:

Approx. 125 kg

Capacity and Resolution:

Maximum lifting capacity 2.000 kg
2.000 kg x 1 kg (approved)
1.000 kg x 0,5 kg (approved)

Accuracy:

± 0,05% of the maximum capacity

Standard Features

- Heavy-gauge steel and powder coated finish or stainless steel models available
- Steering wheels and double loading polyurethane rollers (painted model) or nylon wheels (stainless steel model)
- Four stainless steel IP68 load cells
- Weight indicator in IP65 stainless steel water-resistant enclosure, which is easy to clean and resistant to harsh and corrosive environments
- Large 25 mm LCD display high contrast digits, which are clearly visible even in poor lighting conditions, and waterproof membrane keyboard, with 17 functional keys
- Configuration, calibration and diagnostics from keyboard
- Rechargeable battery mounted on the pallet jack (painted model) or internal battery (stainless steel model)
- Operating time of about 80 hours of continuous use or one month with the typical non-continuous use, thanks to its programmable automatic power saving function
- Includes a 230VAC 50Hz battery charger
- Fitted with a thermal printer in the RL-HPJ-EP and RL-HPJ-ESSP models with date and time card
- Function modes:
 - o High resolution x 10 display
 - o Net/Gross
 - o Meter and litre counter function with conversion factor
 - o Weigh totalizing
 - o Formula weighing
 - o +/- checkweighing with quick target and threshold input
 - o Percentage weighing
 - o Percentage batching with programmable target
 - o Piece counter
 - o Hold

APPROVALS

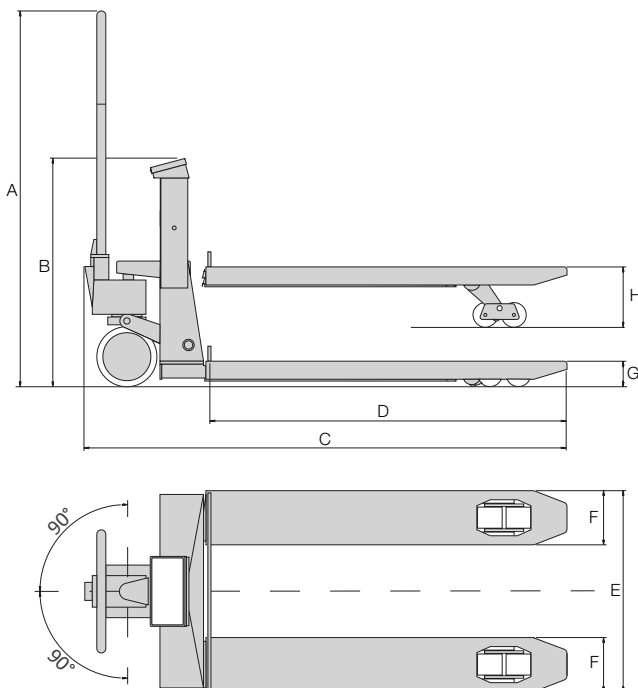


Part Number/Price

Part #	Description	Est. Weight	Price
181824	Pallet Jack Scale RL-HPJ-E, powder coated pallet jack scale	125 kg	Consult
181825	Pallet Jack Scale RL-HPJ-EP, Powder coated pallet jack scale with printer	125 kg	Consult
188666	Pallet Jack Scale RL-HPJ-ESS, stainless steel pallet jack scale	135 kg	Consult
188667	Pallet Jack Scale RL-HPJ-ESSP, stainless steel pallet jack scale with printer	135 kg	Consult

Options/Accessories

Part #	Description	Price
189086	Power supply, for Pb battery (to be used with 181824 and 181825)	Consult
189085	Battery, rechargeable (to be used with 181824 and 181825)	Consult
N/A	Installation, testing, configuration and verification	Consult
192480	Power supply, for NiMH (to be used with 188666 and 188667)	Consult
192482	Replacement paper rolls	Consult



Dimensions			
A	1.200 mm	E	550 mm
B	760 mm	F	180 mm
C	1.630 mm	G	85 mm (80mm SST)
D	1.150 mm (1.180mm SST)	H	200 mm