

MSI-7300 Dyna-Link

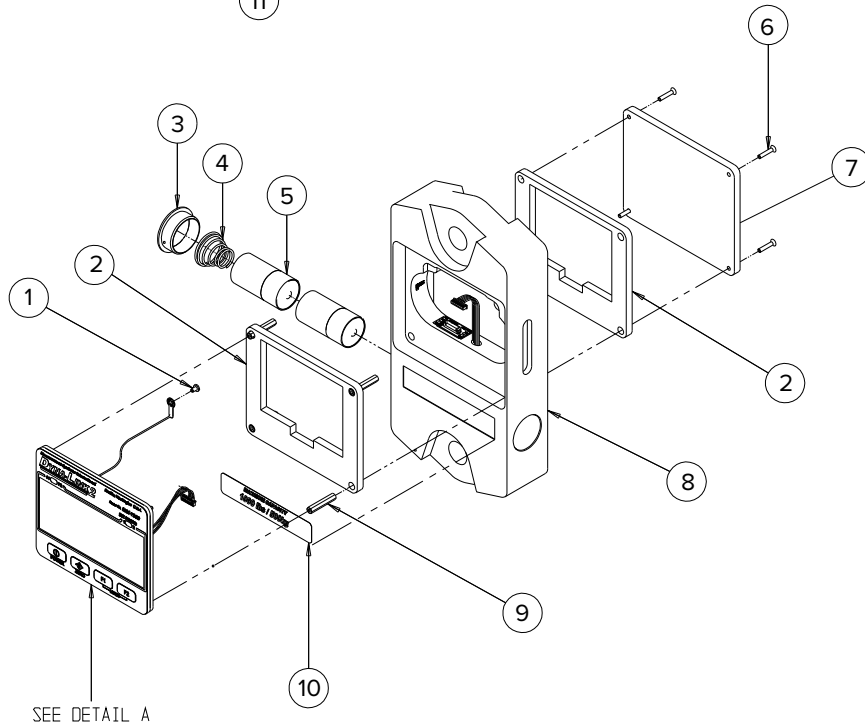
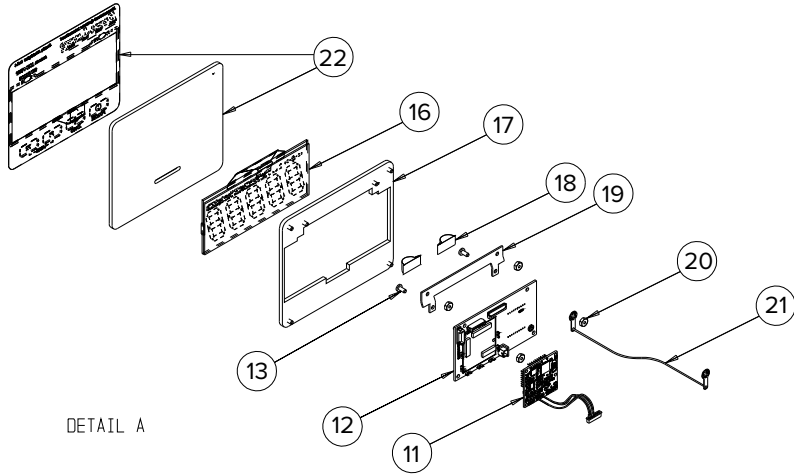
Standard Assembly



Part Number/Price

Item #	Part #	Description	Price
1	146593	Screw, pan head, 4-40 × 3/16, stainless steel	Consult
2	149340	Gasket, front	Consult
3	144709	Cap, 25, 50 and 100 K capacities	Consult
3	144710	Cap, 1, 2, 5 and 10 K capacities	Consult
4	144788	Spring, 25, 50 and 100 K	Consult
4	144769	Spring, 1, 2, 5 and 10 K	Consult
5	42741	Battery "D" cell alkaline	Consult
5	74619	Battery, "C" cell alkaline	Consult
6	193141	Screw, flat head, 4-40 × 1/2, Phillips, stainless steel	Consult
7	149381	Panel, back	Consult
8	139155	Load cell assembly, 1,000 lb	Consult
8	139156	Load cell assembly, 2,500 lb	Consult
8	139157	Load cell assembly, 5,000 lb	Consult
8	139158	Load cell assembly, 10,000 lb	Consult
8	139159	Load cell assembly, 25,000 lb	Consult
8	139160	Load cell assembly, 50,000 lb	Consult
8	139161	Load cell assembly, 100,000 lb	Consult
9	144789	Spacer, 1.062, 4-40, stainless steel	Consult
9	144790	Spacer, 1.312, 4-40, stainless steel	Consult
9	144791	Spacer, 1.812, 4-40, stainless steel	Consult
9	144792	Spacer, 2.562, 4-40, stainless steel	Consult
9	144758	Spacer, 2.00, 4-40, stainless steel	Consult
10	148022	Label, capacity, 1,000 lb	Consult
10	148029	Label, capacity, 2,500 lb	Consult
10	148024	Label, capacity, 5,000 lb	Consult
10	148025	Label, capacity, 10,000 lb	Consult
10	148026	Label, capacity, 25,000 lb	Consult
10	148027	Label, capacity, 50,000 lb	Consult
10	134160	Label, capacity, 100,000 lb	Consult
11	153431	PCA, Scalecore assembly	Consult
12	149290	PCA, display assembly	Consult
13	144536	Screw, pan head, 4-40 × 1/4, Phillips, stainless steel	Consult
16	149295	LCD	Consult
17	149338	Bezel, assembly	Consult
18	144991	Gasket	Consult
19	149460	Bracket, LCD	Consult
20	146542	Nut, hex 4-40, stainless steel	Consult
21	139407	Ground wire	Consult
22	225162	Panel, front, label	Consult

REPLACEMENT PARTS



REPLACEMENT PARTS