

**Specifications**

**Cable Fittings:**

- (9) 10 mm NPT 4-8 mm
- (2) 13 mm NPT 7-12 mm
- (1) PreVent™ breather unit

**Enclosure:**

Molded FRP NEMA 4X enclosure with overlapping solid cover, stainless steel screws

**Connectors:**

Pluggable screw type, 12-28 AWG

**Trimming:**

Individual cell trim

**Potentiometers:**

100.000 ohm, 25 turn cermet

**Circuit Board:**

145 x 183 mm with conformal coating

**Warranty:**

One-year limited warranty



**Standard Features**

- Fiberglass Reinforced Polyester (FRP) NEMA 4X/IP66 enclosure
- PreVent™ breather vent
- Conformal coated circuit board
- Removable load cell connectors
- Section and individual cell trim capability
- Field replaceable transient protection
- (1) coupling, 1/2 NPT cord grip to 19 mm NPT conduit fitting for homerun cable
- Number of cells: Two, four, six or eight single load cells (even number only)
- Expansion board

**Applications**

- Weighbridges, livestock and railroad scales

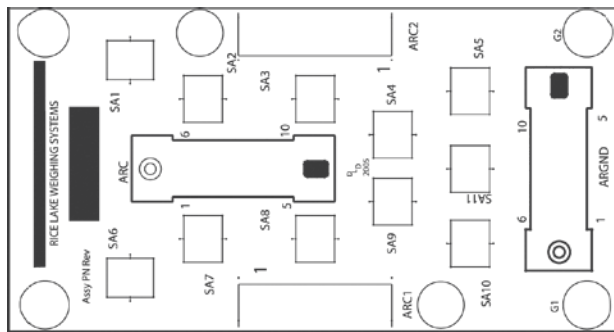
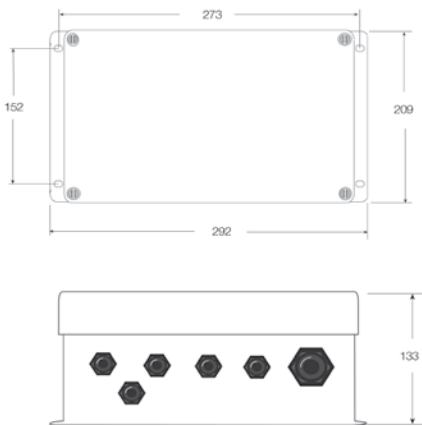
**Part Numbers**

Part #	Description	Price
91783	JB8SPT signal trim junction box with transient protection	Consult
89889	Board only	Consult
89894	Transient board	Consult

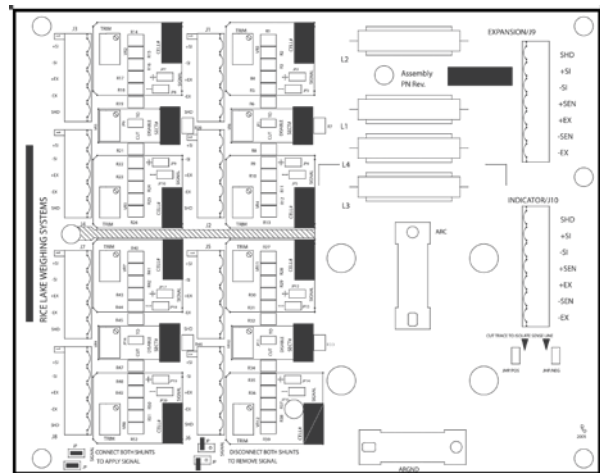
*Note: Do not mix junction box models or use other brands of junction boxes with Rice Lake junction boxes. There is a risk of system instability.*

**Options/Accessories**

Part #	Description	Price
92734	Coupling, 13mm NPT cord grip to 19 mm NPT conduit fitting	Consult
92735	Coupling, 8 mm NPT cord grip to 19 mm NPT conduit fitting	Consult



Transient Board



Load Cell Board