

Table of contents

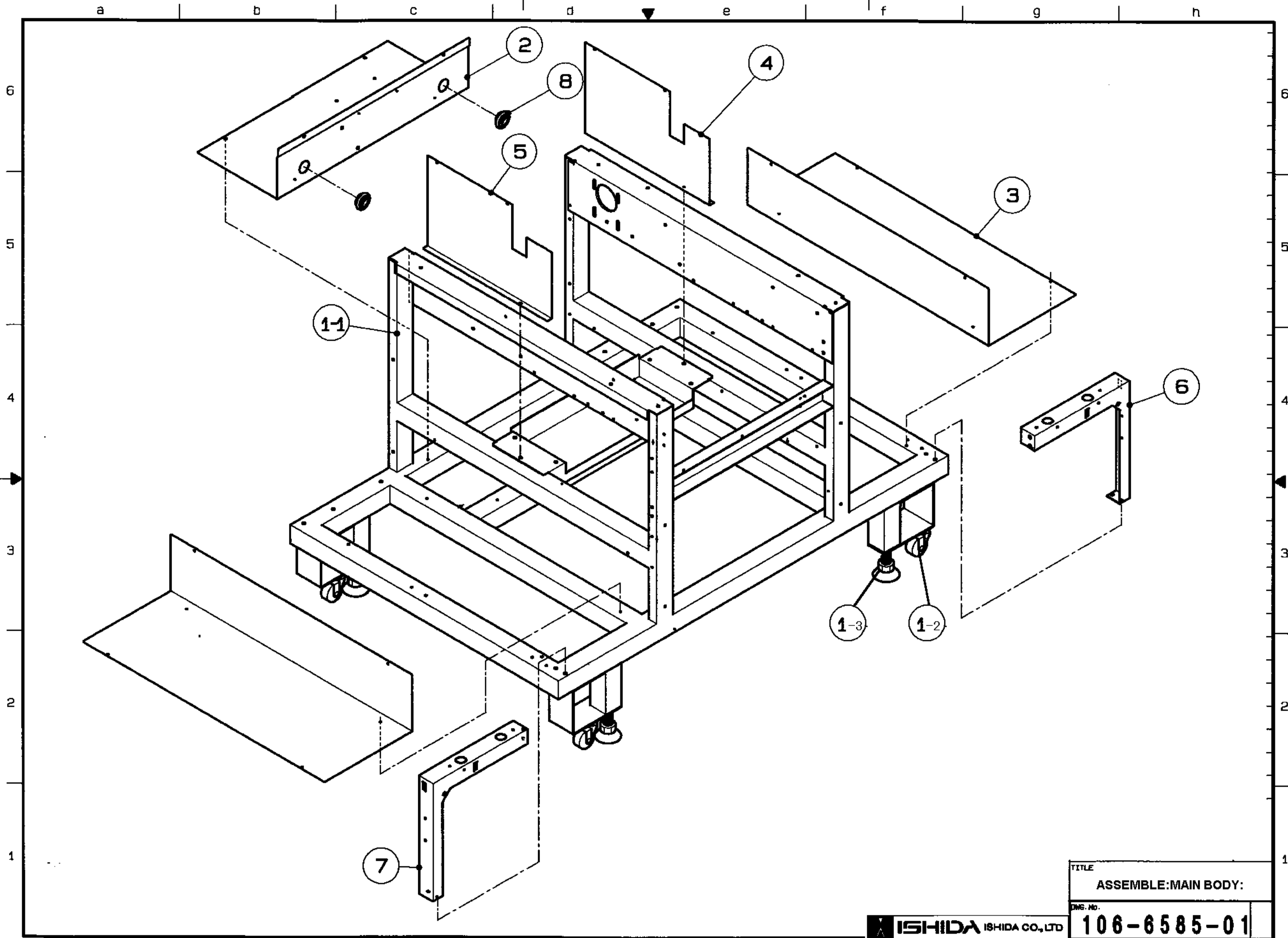
DWG. NO.	ITEM NO.	SHEET	ITEM	OMNI-4000STR	OMNI-4000STL
106-6585-01-0	108-0453-06	1	MAIN BODY UNIT::	y	y
108-0260-04-1	108-0430-01	2	LIFT DRIVE UNIT::	y	y
106-6539-00-0	108-0431-04	3	LIFT CHANGEOVER UNIT::	y	y
106-6547-00-0	108-0441-01	4	TRAY STOPPER UNIT	y	y
106-6563-00-0	108-8038-02		POWER SUPPLY UNIT::	y	-
	108-8091-01		POWER SUPPLY UNIT:L:	-	y
106-6563-00-0	108-8037-09	5	POWER SUPPLY REAR	y	y
106-6563-00-0	108-0492-01	6	POWER SUPPLY LEFT::	y	y
106-6563-00-0	108-0496-06	7-1	POWER SUPPLY RIGHT::	y	-
106-6563-00-0	108-8090-07	7-2	POWER SUPPLY RIGHT"L	-	y
106-6563-00-0	108-0495-02	8	SAFETY UNIT::	y	y
106-6558-01-0	108-0442-05	9	ROLL DRIVE UNIT::	y	y
106-6555-00-0	108-0445-06	10	FEEDER MOVE UNIT::	y	y
106-6583-04-0	108-0451-09	11	FEEDER DRIVE UNIT::	y	y
106-6548-03-0	108-0435-09	12	FILM FEEDER UNIT::	y	y
106-6578-05-1	108-0443-09	13	WRAPPING UNIT::	y	y
106-6559-04-0	108-0434-05		CUTTER UNIT::	y	y
106-6559-04-0	108-0432-08	14	CUTTER UNIT:	y	y
106-6559-04-0	108-0433-01	15	CUTTER UNIT:	y	y
106-6556-03-0	108-0440-08		FILM PRESS UNIT::	y	y
106-6556-03-0	108-0438-00	16	FILM PRESS UNIT:	y	y
108-8177-07-0	108-0439-03	17	FILM PRESS UNIT:	y	y
106-6513-03-0	108-0446-00	18	INSIDE COVER UNIT::	y	y
101-1606-01-1	108-0437-06	19	FILM ROLL HOLDER::	y	y
092-2806-09-2	090-2433-09	20	LIFT HEAD UNIT::	y	y
092-2807-02-1	092-5371-07	21	INFEED CONVEYOR UNIT::	y	y
106-6560-09-0	108-0436-02	22	TRAY PRESS UNIT::	y	y
108-8176-03-0	108-0493-05	23	APPLICATOR UNIT::FIXED	y	y
106-6584-08-0	108-8031-07	24	APPLICATOR UNIT:MOVE:	y	y
106-6561-02-0	108-0455-03	25	UPPER COVER UNIT::	y	y
106-6562-06-1	108-0454-00	26	LOWER COVER UNIT::	y	y
	108-0444-02		WEIGHT & MEASUREMENT UNIT	y	y
108-8110-08-0					
108-8114-02-0					
108-8115-06-0	108-8032-01	27	PRINTER UNIT: NO.1	y	y
	108-8034-08		OPERATION UNIT::	y	y
098-8131-04-3	108-8035-01	28	DISPLAY UNIT::	y	y
108-8175-00-0	108-8036-05	29	KEY UNIT::	y	y
108-8178-01-1	108-8033-04	30	SCALE UNIT::	y	y
108-8116-00-0	108-0494-09	31	CONTROL UNIT::AUTO	y	y
090-0888-02-0	090-0793-02	32	CONNECTION UNIT::	y	y
108-0450-05-0	108-0450-05	33	NAME PLATE	y	y
108-8124-00-0					
106-6531-01-0	108-0447-03	34	DISCHARGE CONVEYOR UNIT::	y	y
106-6536-09-0					
108-8123-06-0	108-0448-07	35	HEATER CONVEYOR UNIT::	y	y
106-6557-07-1	108-0452-02	36	PRINTER FRAME UNIT::OMNI	y	y
090-0885-01-0	079-3105-08	37	LIFT STOPPER UNIT::	y	y
		38	RECOMMENDED DEALER SPARE PAR	y	y

NOTE

- a) The contents of this Parts Catalog are applicable only to standard machines and may not be applied for any other use. Items omitted from the Parts Lists are not applicable to standard machines.
- b) Items numbered as 999 or 9999 on the Parts List are not included on assembly drawings. These are accessories or optional items.
- c) If a price is blank, it is not a standard replacement part. Please contact Rice Lake for a quotation if necessary.
- d) Note that leading zeros (0) in the parts list are not included on the drawing item numbers. For example, Item No. 001 is shown as No. 1 on the drawing.
- e) For Circuit Boards, Harnesses, and certain other electrical items refer to drawing 108-0033-05.

MODEL : MAIN BODY UNIT::
 PART CODE : 108-0453-06
 Refer to DWG № : 106-6585-01

ITEM	PART CODE	DESCRIPTION(NOTE)	QTY	RLWS List	REMARKS
1-2	079-3136-03	CASTER:UNIVERSAL:	4	\$33.00	
1-3	47246 057-0319-04	JACK BOLT AS::	4	\$34.00	
2	108-8016-10	COVER:INSIDE:REAR	1	\$121.00	
3	108-8017-04	COVER:INSIDE:FILM	2	\$100.00	
4	108-8011-02	COVER:INSIDE:MAIN BODY	1	\$30.00	
5	108-8012-06	COVER:INSIDE:MAIN BODY	1	\$30.00	
6	108-8008-01	STAY:SWITCH:	1	\$149.00	
7	108-8009-04	STAY:SWITCH:	1	\$149.00	
8	021-1481-08	GROMMET:W/DIAPHRAGM:	2	\$2.00	

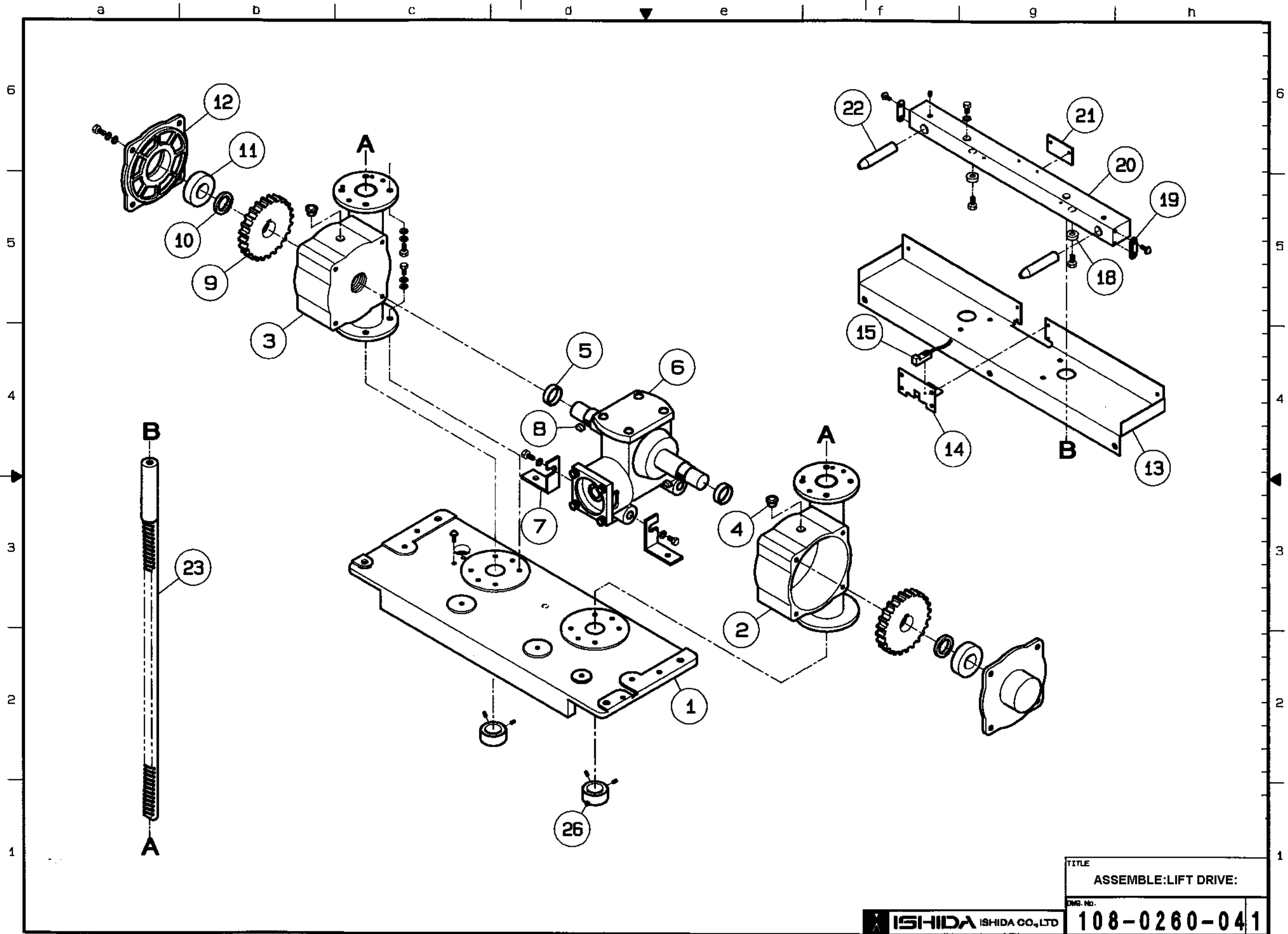


TITLE	ASSEMBLE:MAIN BODY:
DWG. No.	106-6585-01

ISHIDA ISHIDA CO., LTD

MODEL : LIFT DRIVE UNIT::
 PART CODE : 108-0430-01
 Refer to DWG № : 108-0260-04-1

ITEM	PART CODE	DESCRIPTION(NOTE)	QTY	RLWS List	REMARKS
1	042-4997-27	BASE:LIFT:	1	\$147.00	
2	072-2361-01	CASE:GEAR:LIFT AS	1	\$177.00	
3	072-2362-04	CASE:GEAR:LIFT AS	1	\$177.00	
4	001-4457-01	CAP::	2	\$1.00	
5	041-4359-05	OIL SEAL::	2	\$8.00	
6	065-9665-01	GEAR HEAD:WORM:	1	\$377.00	
7	042-4523-16	BRACKET:GEAR HEAD:	2	\$6.00	
8	046-2185-03	KEY:PARALLEL:BOTH ENDS ROUND	2	\$2.00	
9	042-4539-24	GEAR:FLAT:	2	\$93.00	
10	042-4515-25	COLLAR:PINION HOLD:	2	\$5.00	
11	000-3654-07	BEARING:RADIAL:DEEP GROOVE	2	\$13.00	
12	042-4622-21	HOLDER:BEARING:LIFT	2	\$31.00	
13	076-1505-14	JOINT:HOUSING:	1	\$65.00	
14	106-6709-15	BRACKET:SENSOR:	1	\$49.00	
15	99029 072-2279-26	SENSOR AS::LIFT LOWER	1	\$58.00	
18	001-4426-05	RUBBER PAD::	2	\$1.00	
19	47055 045-9582-07	LOCK:SNAP:	2	\$43.00	
20	076-1504-11	BLOCK B:LIFT:BASE	1	\$111.00	
21	108-0429-06	PLATE A::	1	\$7.00	
22	047-0560-07	PIN:LIFT:	2	\$31.00	
23	076-9901-06	GEAR:RACK:LIFT	2	\$377.00	
26	046-2386-05	COLLAR:STOPPER:	2	\$23.00	



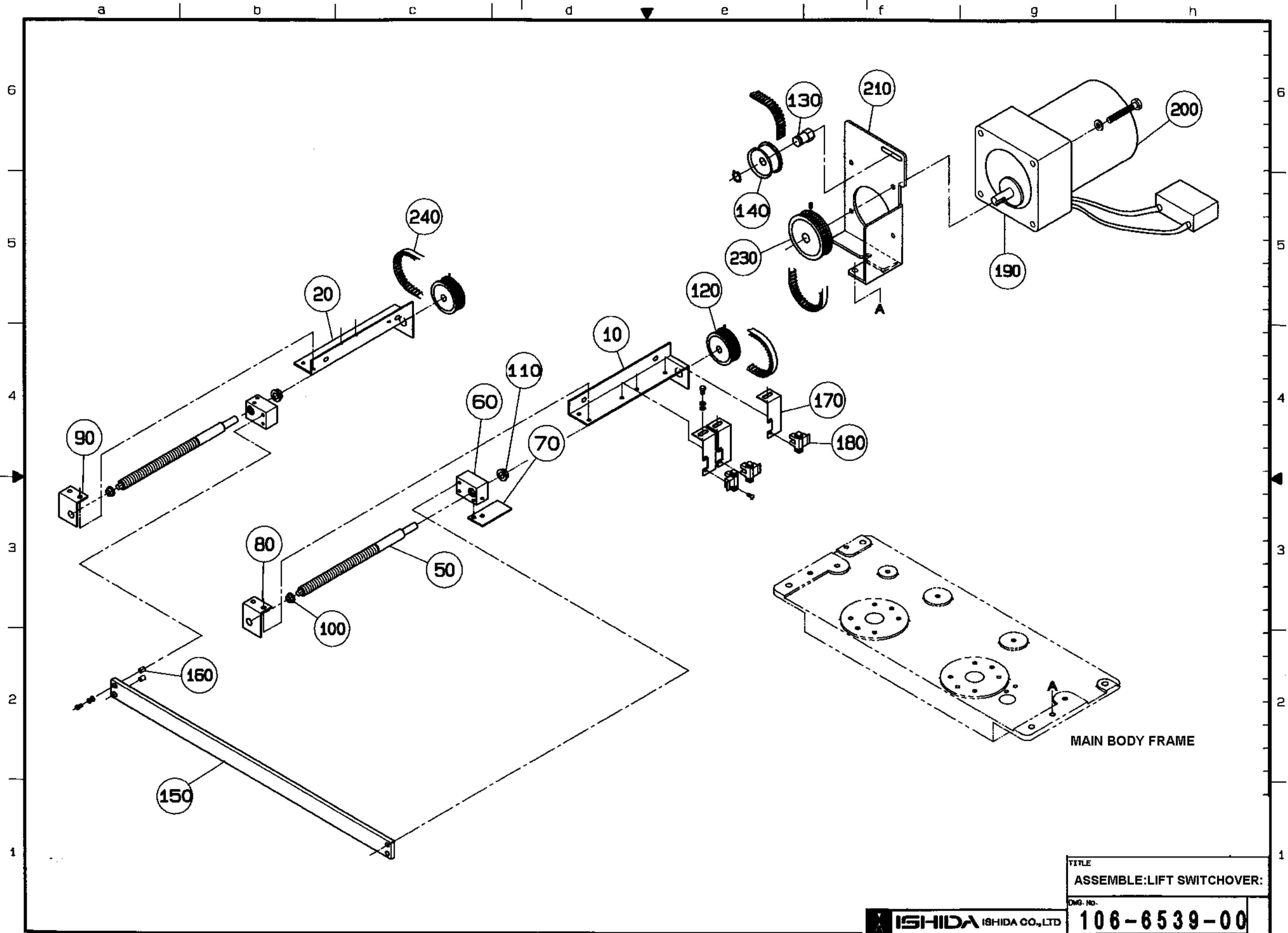
TITLE
ASSEMBLY: LIFT DRIVE:

DWG. No.
108-0260-041

ISHIDA ISHIDA CO., LTD

MODEL :LIFT CHANGEOVER UNIT:
PART CODE :108-0431-04
Refer to DWG № : 106-6539-00

ITEM	PART CODE	DESCRIPTION(NOTE)	QTY	RLWS List	REMARKS
10	103-3844-03	FRAME:HEAD:CHANGEOVER	1	\$49.00	
20	103-3845-07	FRAME:HEAD:CHANGEOVER	1	\$49.00	
50	042-4508-29	SHAFT:DRIVE:	2	\$25.00	
60	042-4506-03	BLOCK A:CHANGEOVER:	2	\$25.00	
70	042-4517-04	COVER PLATE:CHANGEOVER:	1	\$6.00	
80	103-3992-01	BRACKET:SHAFT:	1	\$49.00	
90	103-3993-05	BRACKET:SHAFT:	1	\$49.00	
100	011-0793-07	BUSH::	2	\$5.00	
110	001-6050-06	BUSH::BEARING	2	\$6.00	
120	042-4509-22	TIMING PULLEY:XL:AF	2	\$36.00	
130	042-4502-18	SHAFT:TENSION:	1	\$10.00	
140	041-4280-05	PULLEY:IDLER:	1	\$45.00	
150	076-9902-00	ARM:CHANGEOVER:	1	\$55.00	
160	043-1701-00	COLLAR::SPACER	2	\$1.00	
170	103-3994-09	BRACKET:SENSOR:CHANGEOVER	3	\$42.00	
180	47408 012-8583-08	PHOTO INTERRUPTOR:TRANS:	3	\$30.00	Recommended (2)
190	72839 010-4166-09	GEAR HEAD:SWITCHING LIFT	1	\$173.00	
200	72840 076-1633-27	MOTOR AS:LIFT CHANGEOVER	1	\$290.00	
210	103-3930-29	BRACKET:MOTOR:CHANGEOVER	1	\$77.00	
230	043-1904-09	TIMING PULLEY:XL:AF	1	\$88.00	
240	82919 091-0795-07	TIMING BELT:XL:	1	\$50.00	



MAIN BODY FRAME

TITLE
ASSEMBLY: LIFT SWITCHOVER:

DRG. No.
106-6539-00

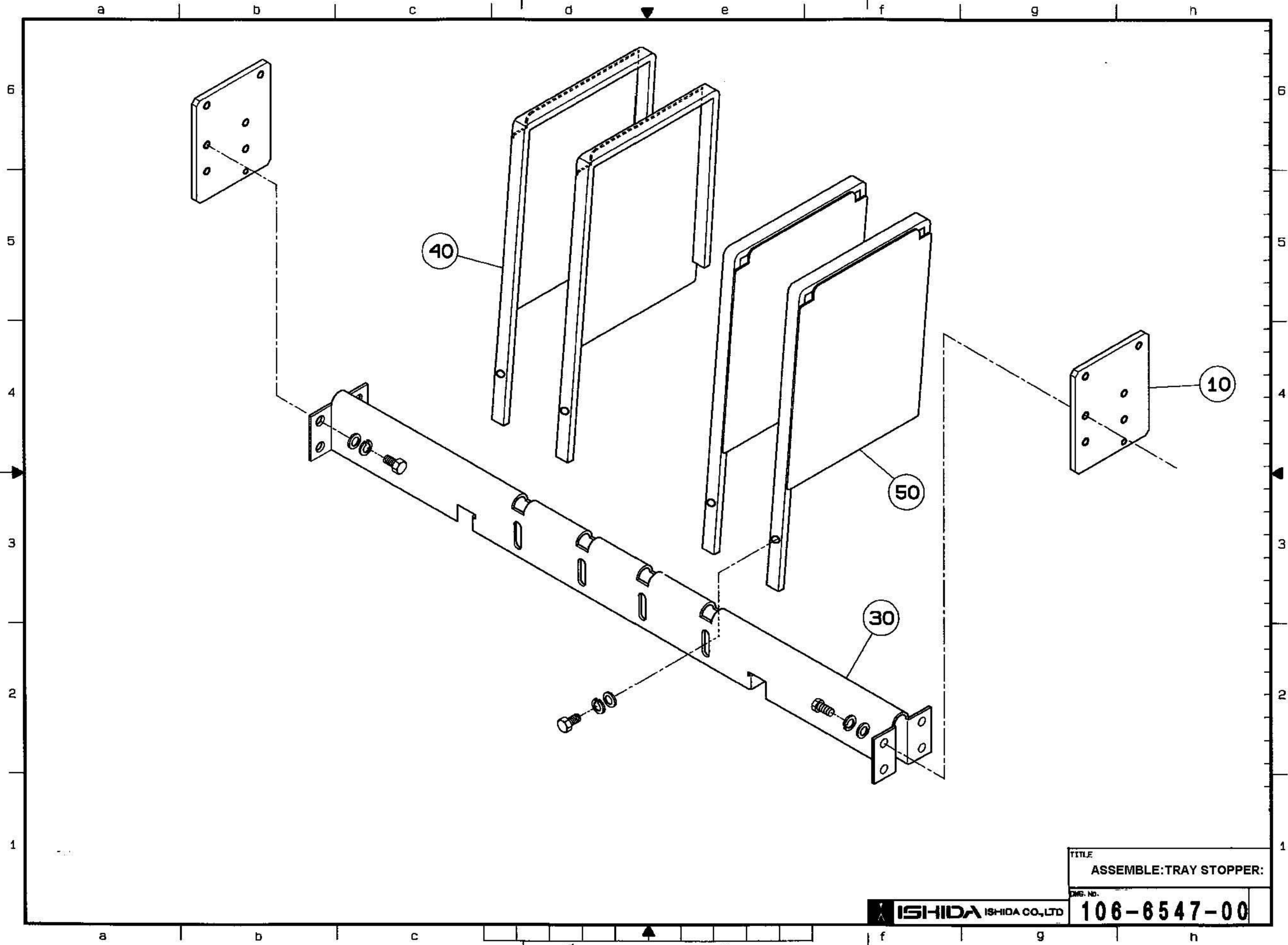
ISHIDA ISHIDA CO., LTD

MODEL :TRAY STOPPER UNIT

PART CODE :108-0441-01

Refer to DWG № : 106-6547-00

ITEM	PART CODE	DESCRIPTION(NOTE)	QTY	RLWS List	REMARKS
10	108-8025-04	STAY:STOPPER:	2	\$31.00	
30	103-3931-13	BASE:STOPPER:	1	\$183.00	
40	74498 076-9907-26	ARM:STOPPER:LEFT	2	\$67.00	Recommended (1)
50	74499 076-9908-20	ARM:STOPPER:RIGHT	2	\$67.00	Recommended (1)



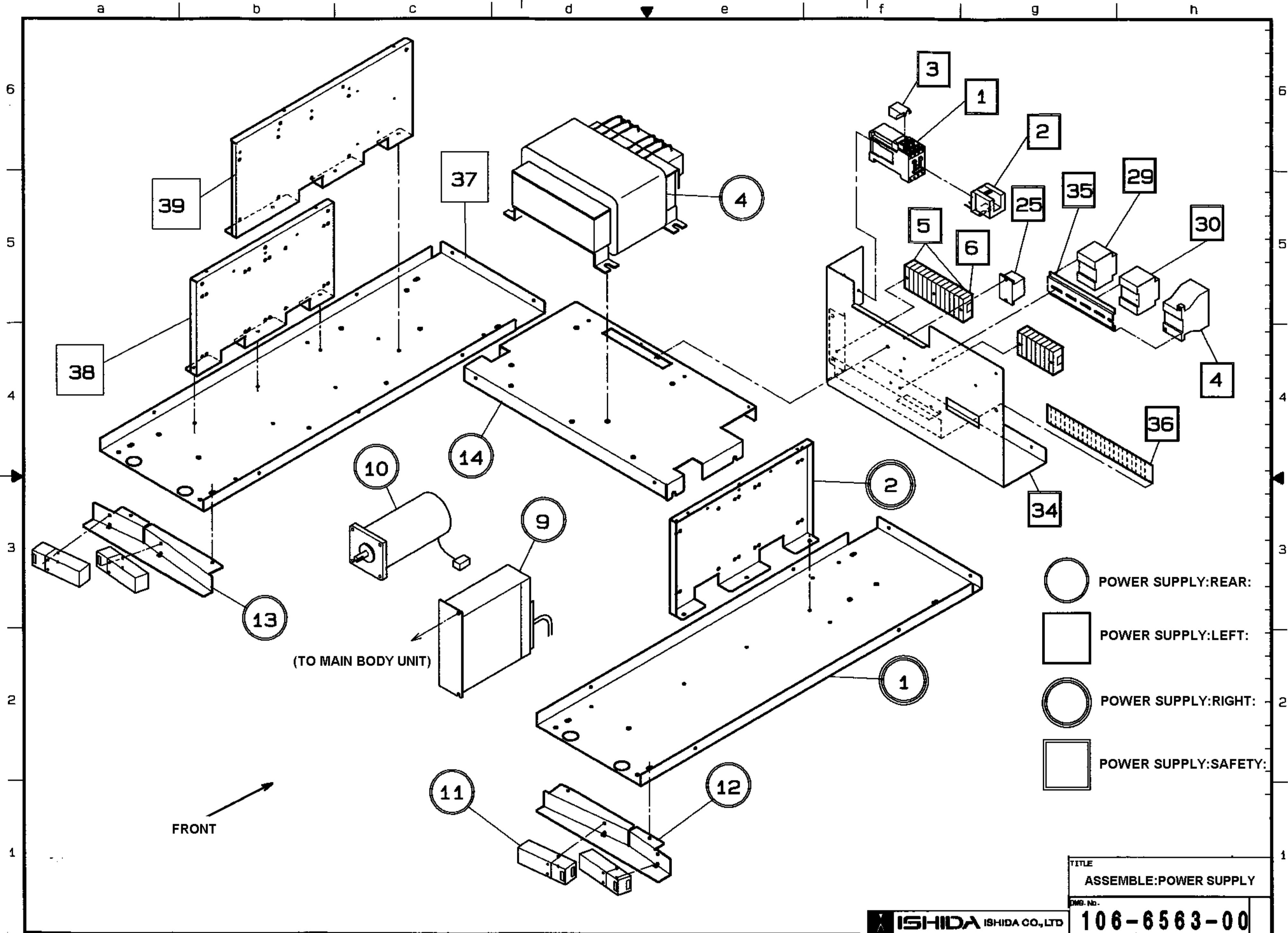
TITLE
ASSEMBLE:TRAY STOPPER:





DWG. NO.
106-6547-00

ISHIDA ISHIDA CO.,LTD

MODEL :POWER SUPPLY REAR
 PART: 108-8037-09
 Refer to DWG № : 106-6563-00,(108-0033-05-1)

ITEM	PART CODE	DESCRIPTION(NOTE)	QTY	RLWS List	REMARKS
1	076-1812-09	HARNESS:S1:SAFETY SW	2	\$2.00	
2	064-8684-01	HARNESS:S2:EARTH	1	\$5.00	
3	064-5919-04	HARNESS:S2:EARTH	6	\$4.00	
4	72845 090-0514-00	TRANSFORMER:3 PH:	1	\$770.00	
5	096-7300-09	HARNESS:C6:PS	1	\$81.00	
6	108349 108-0125-04	HEATER CONTROL AS::	1	\$162.00	
7	108-0275-19	HARNESS AS:SAFETY SW:L	1	\$58.00	
8	108-0491-08	HARNESS AS:SAFETY SW:R	1	\$52.00	
9	99030 092 2515-05	CONTROLLER:DRIVER:SERVO	1	\$1,089.00	
10	99031 092 2516-09	MOTOR:SERVO:	1	\$488.00	
11	75798 091-0690-19	SWITCH AS:SAFETY:	8	\$28.00	Recommended (1)
12	103-3998-21	BRACKET:SWITCH:	1	\$36.00	
13	103-3999-25	BRACKET:SWITCH:	1	\$36.00	
14	108-0271-14	BASE:TRANSFORMER:	1	\$88.00	
15	70106 090-0839-00	CONTROLLER:THERMO:	1	\$219.00	
16	057-4555-01	HARNESS:S2:EARTH	2	\$3.00	
17	72851 076-1843-31	SWITCH AS:SEESAW:HEATER	1	\$23.00	
18	076-9602-11	HARNESS:S2:EARTH	1	\$4.00	
19	108-0274-06	HARNESS:C7:EMERGENCY STOP	1	\$42.00	



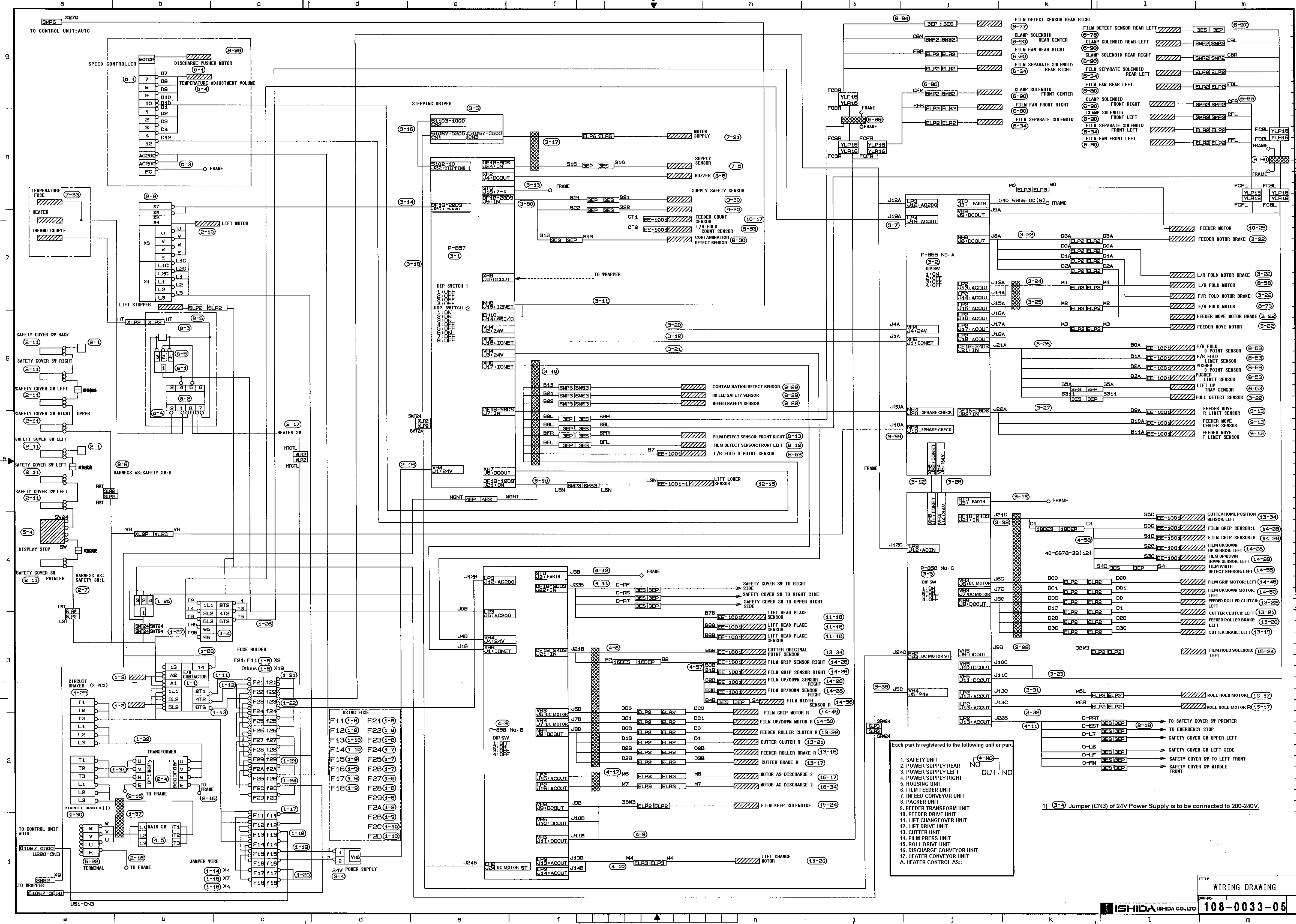
-  POWER SUPPLY:REAR:
-  POWER SUPPLY:LEFT:
-  POWER SUPPLY:RIGHT:
-  POWER SUPPLY:SAFETY:

(TO MAIN BODY UNIT)

FRONT 

TITLE	
ASSEMBLE:POWER SUPPLY	
DWS. No.	
106-6563-00	

ISHIDA ISHIDA CO.,LTD



- Each part is registered to the following unit or part.
1. SAFETY UNIT
 2. POWER SUPPLY REAR
 3. POWER SUPPLY LEFT
 4. POWER SUPPLY RIGHT
 5. HOUSING UNIT
 6. FILM FEEDER UNIT
 7. INFED CONVEYOR UNIT
 8. PACKER UNIT
 9. FEEDER TRANSFORM UNIT
 10. FEEDER DRIVE UNIT
 11. LIFT CHANGEOVER UNIT
 12. LIFT DRIVE UNIT
 13. CUTTER UNIT
 14. FILM PRESS UNIT
 15. ROLL DRIVE UNIT
 16. DISCHARGE CONVEYOR UNIT
 17. HEATER CONVEYOR UNIT
 - A. HEATER CONTROL AS:

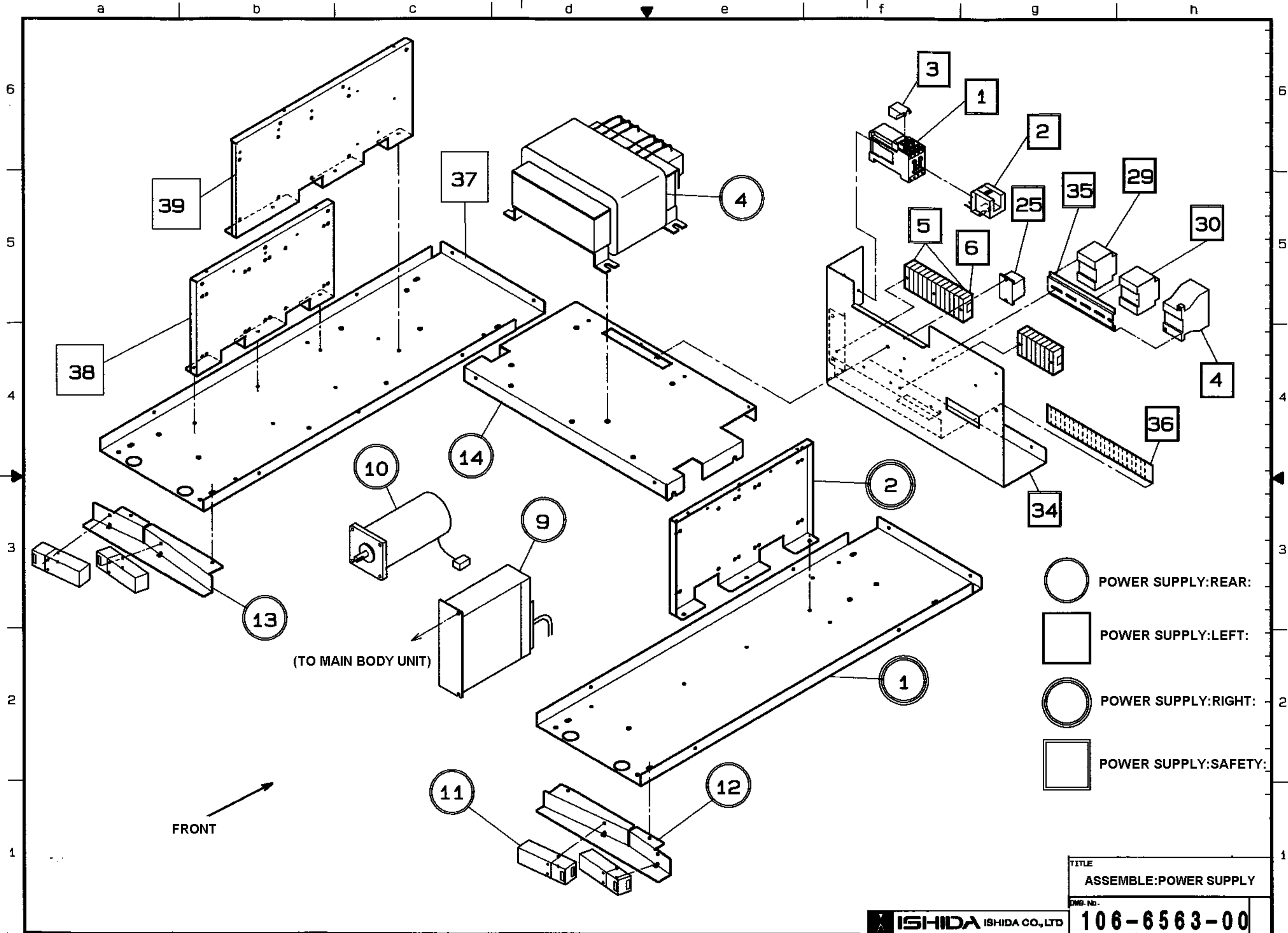
1) (3-2) Jumper (CNS) of 24V Power Supply is to be connected to 200-240V.





MODEL :POWER SUPPLY LEFT:
PART: 108-0492-01
Refer to DWG № : 106-6563-00,(108-0033-05-1)

ITEM	PART CODE	DESCRIPTION(NOTE)	QTY	RLWS List	REMARKS
1	98404 092-2886-34	PWB:P-857:A: w/o EPROM: LEFT	1	\$490.00	Recommended (1)
	99036	FUSE:3A:M5x20	1	\$2.25	P-857, F1 Recommended (2)
	99035	FUSE:1A:M5x20	1	\$2.25	P-857, F2 Recommended (2)
2	70098 040-6703-59	PWB:P-858:B: FULL MOUNT R/L	1	\$526.00	Recommended (1)
3	70098 043-1554-63	PWB:P-858:B: FULL MOUNT R/L	1	\$526.00	
	99037	FUSE:5A:250V:M5x20	2	\$2.25	P-858:B F3, F4 Recommended (2)
	99035	FUSE:1A:M5x20	2	\$2.25	P-858:B F2 Recommended (2)
	99038	FUSE:7A:250V:M5x20	2	\$2.25	P-858:B F1 Recommended (2)
4	47228 040-6782-08	POWER SUPPLY:SWITCHING:	1	\$216.00	Recommended (1)
5	70107 059-8058-06	CONTROLLER:MOTOR:	1	\$218.00	
6	72853 040-6902-17	BUZZER AS::	1	\$23.00	
7	103-3818-24	HARNESS:C4:THERMAL RELAY	1	\$19.00	
8	103-3850-24	HARNESS:C6:SENSOR	1	\$90.00	
10	103-3947-21	HARNESS:C19:	1	\$170.00	
11	103-3935-18	HARNESS:C3:COMMUNICATION	1	\$42.00	
12	040-6839-15	HARNESS:S2:I/ONET	2	\$15.00	
13	040-6856-19	HARNESS:C2:EARTH	3	\$5.00	
14	103-3945-15	HARNESS:C3:SERVO COM	1	\$198.00	
15	108-0241-03	HARNESS:C3:SENSOR	1	\$30.00	
16	076-1891-03	HARNESS:C2:ST DRIVER	1	\$27.00	
17	076-1892-25	HARNESS:C4:INFEED	1	\$31.00	
18	103-3835-19	HARNESS:C2:STEPPING	1	\$15.00	
19	108-0224-00	HARNESS:C2:PS DC	1	\$16.00	
20	108-0233-03	HARNESS:S2:24V	1	\$18.00	

MODEL :POWER SUPPLY LEFT:
PART: 108-0492-01
Refer to DWG № : 106-6563-00,(108-0033-05-1)

ITEM	PART CODE	DESCRIPTION(NOTE)	QTY	RLWS List	REMARKS
21	108-0232-19	HARNESS:S2:24V	1	\$28.00	
22	108-0467-08	HARNESS:C5:DC DRIVE	1	\$49.00	
23	103-3949-29	HARNESS:C5:DC DRIVE L	1	\$68.00	
24	108-0223-06	HARNESS:C6:SQUEEZE	1	\$39.00	
25	108-0130-12	HARNESS:C3:FEEDER MOVEMENT	1	\$19.00	
26	108-0133-13	HARNESS:C7:SENSOR	1	\$90.00	
27	108-0126-17	HARNESS:C4:SENSOR	1	\$68.00	
28	076-1888-11	HARNESS:S2:24V	1	\$19.00	
29	108-0131-16	HARNESS:C2:DC DRIVE	1	\$16.00	
31	076-9603-24	HARNESS:C2:FILM ROLL L	1	\$14.00	
32	076-9604-28	HARNESS:C2:FILM ROLL R	1	\$17.00	
33	108-0270-11	HARNESS:C12:L	1	\$198.00	
34	103-3849-20	HARNESS:C7:SAFETY SW	1	\$74.00	
35	103-3822-01	HARNESS:C2:MAGNET COIL	1	\$20.00	
36	103-3836-12	HARNESS:C2:24V	1	\$20.00	
37	103-3843-28	FRAME:PS:L	1	\$70.00	
38	076-3459-22	BRACKET:P858:	1	\$65.00	
39	076-3458-10	BRACKET:P857:	1	\$74.00	
40	108-0225-03	HARNESS:C3:PS UNIT	1	\$17.00	



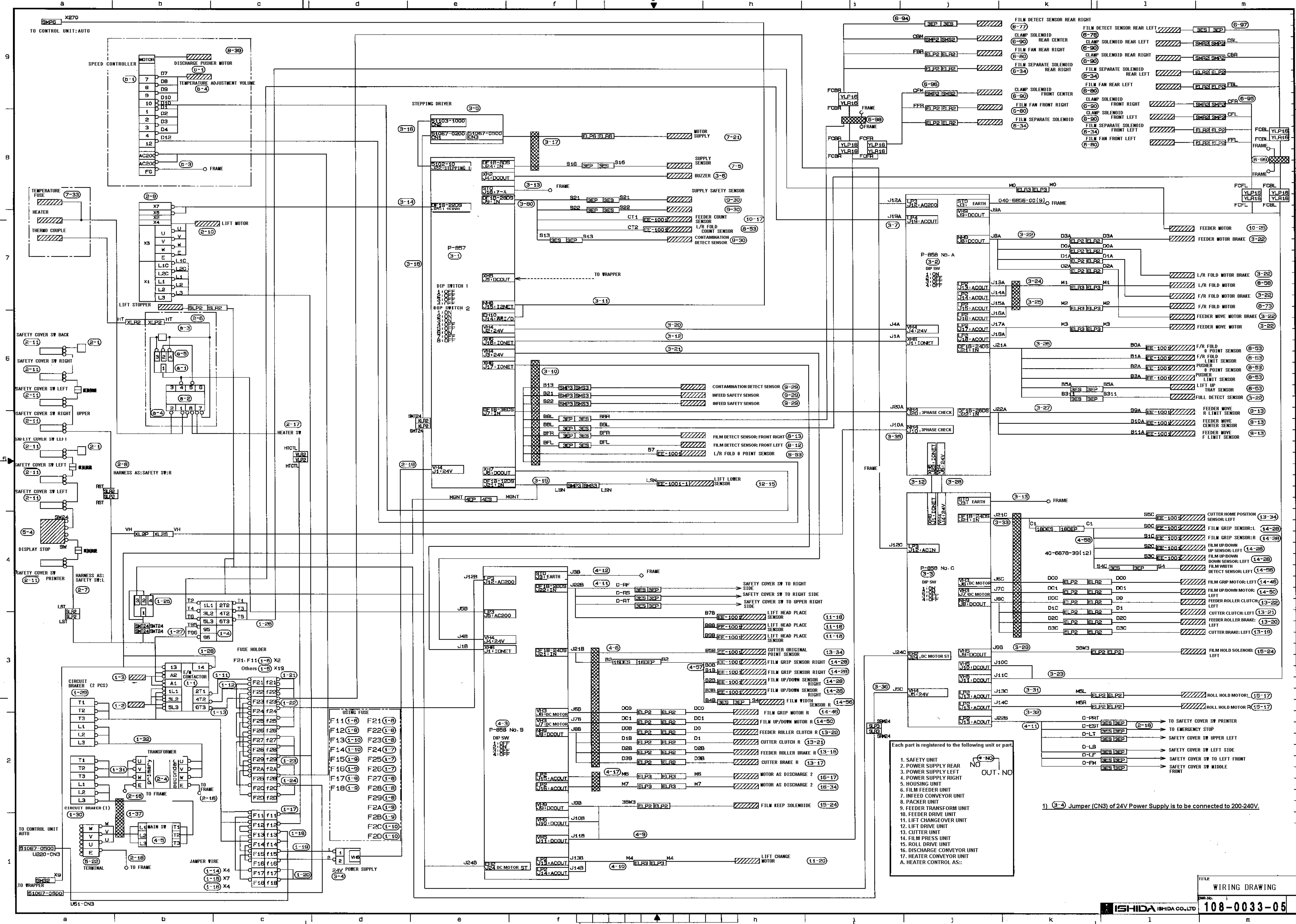
-  POWER SUPPLY:REAR:
-  POWER SUPPLY:LEFT:
-  POWER SUPPLY:RIGHT:
-  POWER SUPPLY:SAFETY:

(TO MAIN BODY UNIT)

FRONT 

TITLE	
ASSEMBLE:POWER SUPPLY	
DMS. No.	
106-6563-00	

ISHIDA ISHIDA CO.,LTD

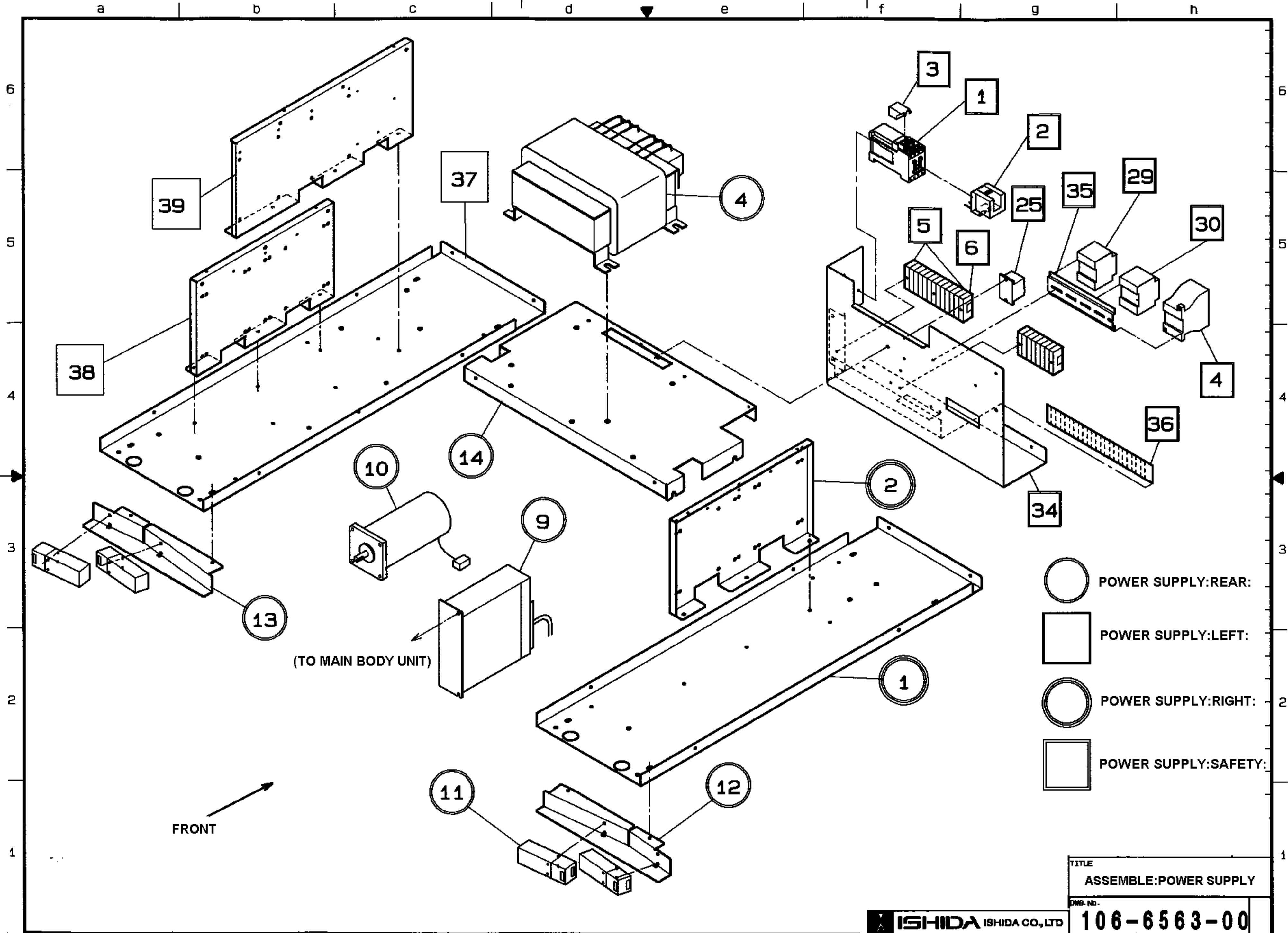


- Each part is registered to the following unit or part.
- 1. SAFETY UNIT
 - 2. POWER SUPPLY REAR
 - 3. POWER SUPPLY LEFT
 - 4. POWER SUPPLY RIGHT
 - 5. HOUSING UNIT
 - 6. FILM FEEDER UNIT
 - 7. INFED CONVEYOR UNIT
 - 8. PACKER UNIT
 - 9. FEEDER TRANSFORM UNIT
 - 10. FEEDER DRIVE UNIT
 - 11. LIFT CHANGEOVER UNIT
 - 12. LIFT DRIVE UNIT
 - 13. CUTTER UNIT
 - 14. FILM PRESS UNIT
 - 15. ROLL DRIVE UNIT
 - 16. DISCHARGE CONVEYOR UNIT
 - 17. HEATER CONVEYOR UNIT
- A. HEATER CONTROL AS:

1) (3-2) Jumper (CNS) of 24V Power Supply is to be connected to 200-240V.





MODEL :POWER SUPPLY RIGHT:
 PART: 108-0496-06
 Refer to DWG № : 106-6563-00,(108-0033-05-1)

ITEM	PART CODE	DESCRIPTION(NOTE)	QTY	RLWS List	REMARKS
1	103-3842-24	FRAME:PS:R	1	\$67.00	
2	076-3459-22	BRACKET:P858:	1	\$65.00	
3	70098 043-1988-39	PWB:P-858:B	1	\$478.00	
	99037	FUSE:5A:250V:M5x20	2	\$2.25	P-858:B F3, F4 Recommended (2)
	99035	FUSE:1A:M5x20	1	\$2.25	P-858:B F2 Recommended (2)
	99038	FUSE:7A:250V:M5x20	1	\$2.25	P-858:B F1 Recommended (2)
8	103-3848-26	HARNESS:C12:R	1	\$165.00	
9	103-3948-25	HARNESS:C6:DC DRIVE R	1	\$74.00	
10	108-0466-04	HARNESS:C3:LIFT CHANGEOVER	1	\$17.00	
11	103-3847-22	HARNESS:C7:SENSOR	1	\$77.00	
12	040-6856-19	HARNESS:C2:EARTH	1	\$5.00	
17	108-0226-07	HARNESS:C4:DISCHARGE	1	\$21.00	



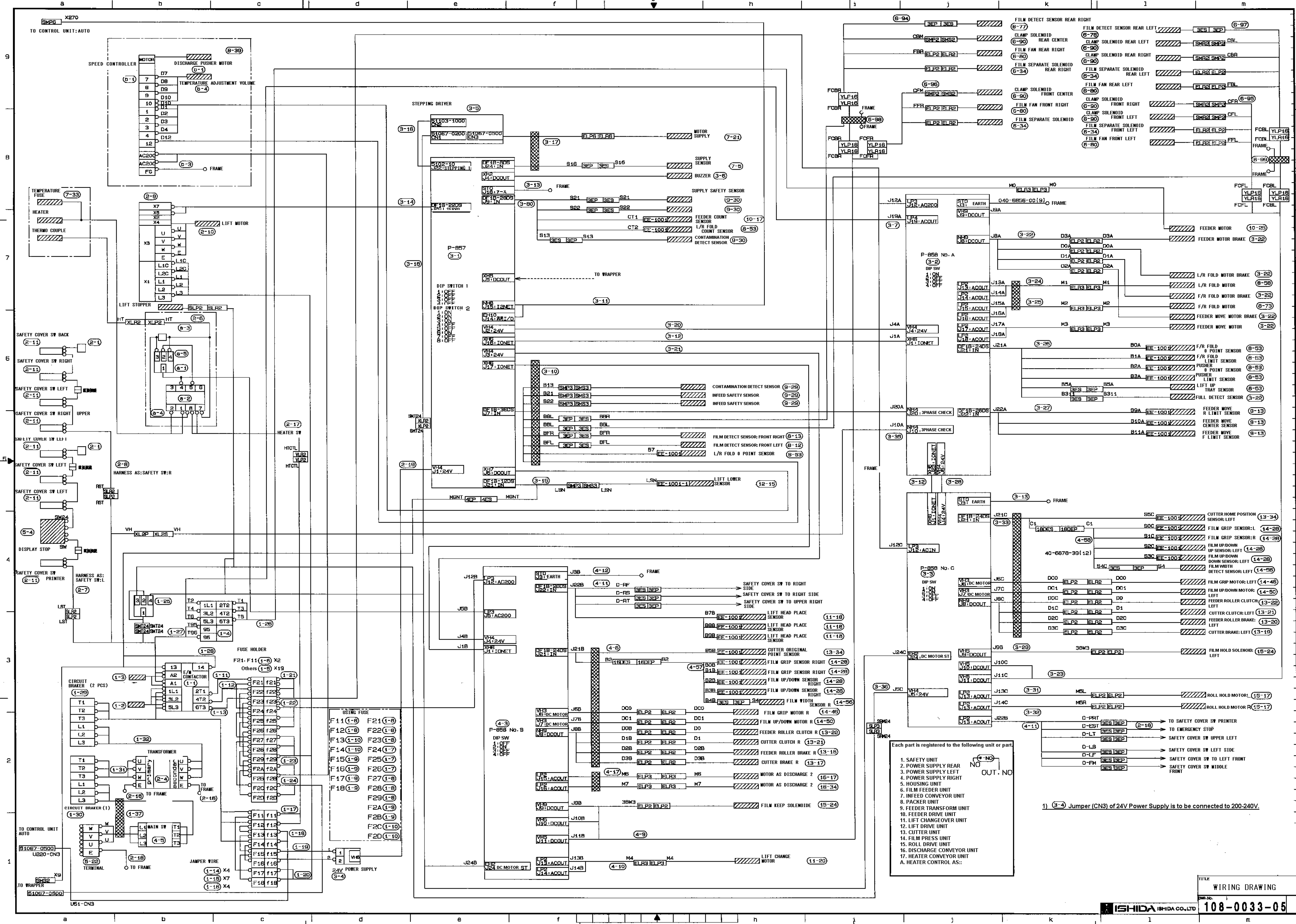
(TO MAIN BODY UNIT)

FRONT

-  POWER SUPPLY:REAR:
-  POWER SUPPLY:LEFT:
-  POWER SUPPLY:RIGHT:
-  POWER SUPPLY:SAFETY:

TITLE	ASSEMBLE:POWER SUPPLY
DWG. No.	106-6563-00

ISHIDA ISHIDA CO.,LTD



- Each part is registered to the following unit or part.
- | | |
|-----|-------------------------|
| 1. | SAFETY UNIT |
| 2. | POWER SUPPLY REAR |
| 3. | POWER SUPPLY LEFT |
| 4. | POWER SUPPLY RIGHT |
| 5. | HOUSING UNIT |
| 6. | FILM FEEDER UNIT |
| 7. | INFEED CONVEYOR UNIT |
| 8. | PACKER UNIT |
| 9. | FEEDER TRANSFORM UNIT |
| 10. | FEEDER DRIVE UNIT |
| 11. | LIFT CHANGEOVER UNIT |
| 12. | LIFT DRIVE UNIT |
| 13. | CUTTER UNIT |
| 14. | FILM PRESS UNIT |
| 15. | ROLL DRIVE UNIT |
| 16. | DISCHARGE CONVEYOR UNIT |
| 17. | HEATER CONVEYOR UNIT |
| A. | HEATER CONTROL AS: |

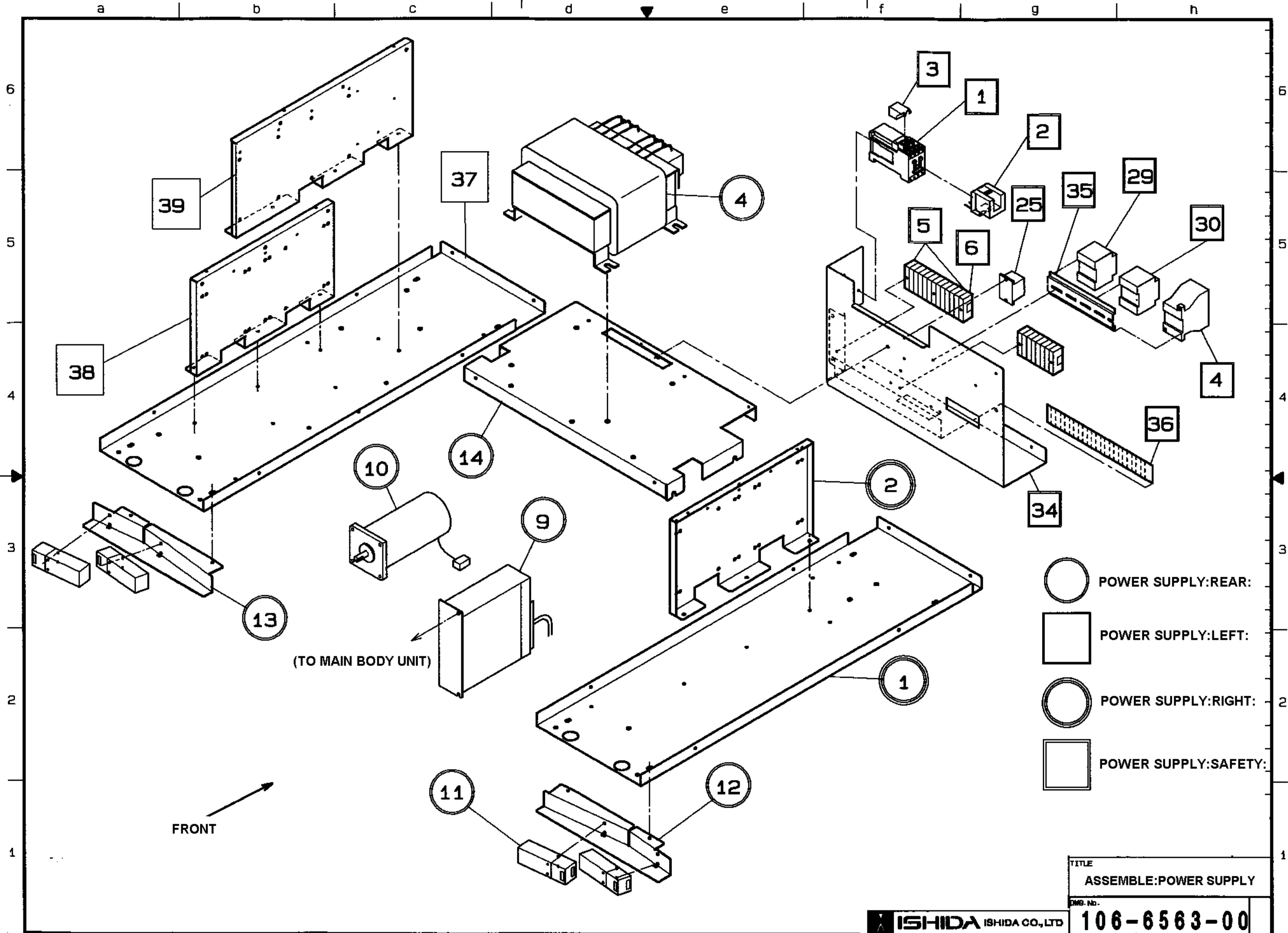
1) (3-2) Jumper (CNS) of 24V Power Supply is to be connected to 200-240V.

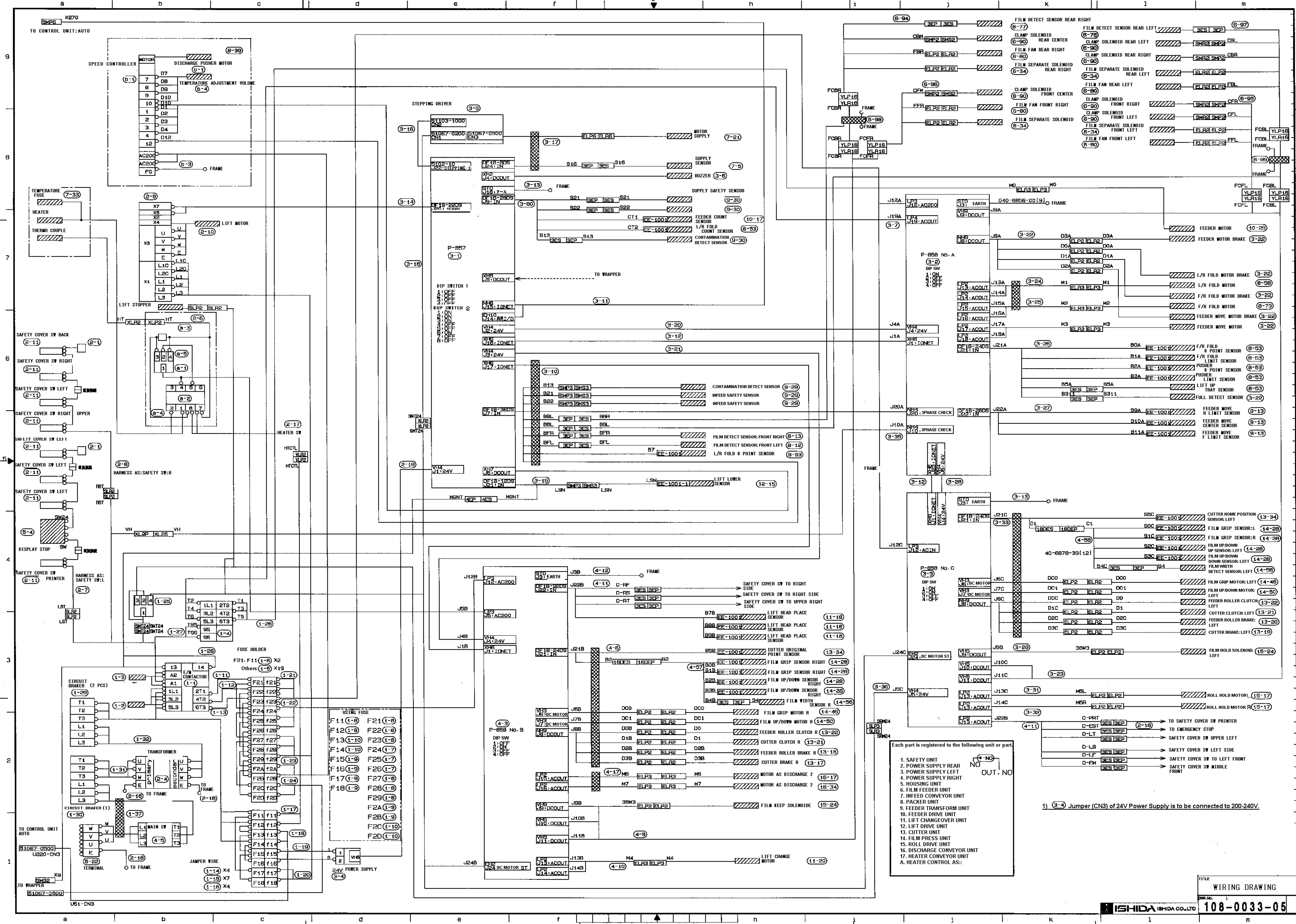
MODEL POWER SUPPLY RIGHT"L

PART: 108-8090-07

Refer to DWG № : 106-6563-00,(108-0033-05-1)

ITEM	PART CODE	DESCRIPTION(NOTE)	QTY	RLWS List	REMARKS
1	103-3842-24	FRAME:PS:R	1	\$67.00	
2	076-3459-22	BRACKET:P858:	1	\$65.00	
3	70098 043-1988-39	PWB:P-858:B	1	\$478.00	
	99037	FUSE:5A:250V:M5x20	2	\$2.25	P-858:B F3, F4 Recommended (2)
	99035	FUSE:1A:M5x20	1	\$2.25	P-858:B F2 Recommended (2)
	99038	FUSE:7A:250V:M5x20	1	\$2.25	P-858:B F1 Recommended (2)
4	103-3848-26	HARNESS:C12:R	1	\$165.00	
5	103-3948-25	HARNESS:C6:DC DRIVE R	1	\$74.00	
6	108-0466-04	HARNESS:C3:LIFT CHANGEOVER	1	\$17.00	
7	103-3847-22	HARNESS:C7:SENSOR	1	\$77.00	
8	040-6856-19	HARNESS:C2:EARTH	1	\$5.00	
9	108-8040-01	HARNESS:C4:DISCHAGE L	1	\$65.00	





- Each part is registered to the following unit or part.
- 1. SAFETY UNIT
 - 2. POWER SUPPLY REAR
 - 3. POWER SUPPLY LEFT
 - 4. POWER SUPPLY RIGHT
 - 5. HOUSING UNIT
 - 6. FILM FEEDER UNIT
 - 7. INFED CONVEYOR UNIT
 - 8. PACKER UNIT
 - 9. FEEDER TRANSFORM UNIT
 - 10. FEEDER DRIVE UNIT
 - 11. LIFT CHANGEOVER UNIT
 - 12. LIFT DRIVE UNIT
 - 13. CUTTER UNIT
 - 14. FILM PRESS UNIT
 - 15. ROLL DRIVE UNIT
 - 16. DISCHARGE CONVEYOR UNIT
 - 17. HEATER CONVEYOR UNIT
- A. HEATER CONTROL AS:

1) (3-2) Jumper (CNS) of 24V Power Supply is to be connected to 200-240V.

MODEL :SAFETY UNIT::

PART: 108-0495-02

Refer to DWG № : 106-6563-00,(108-0033-05-1)

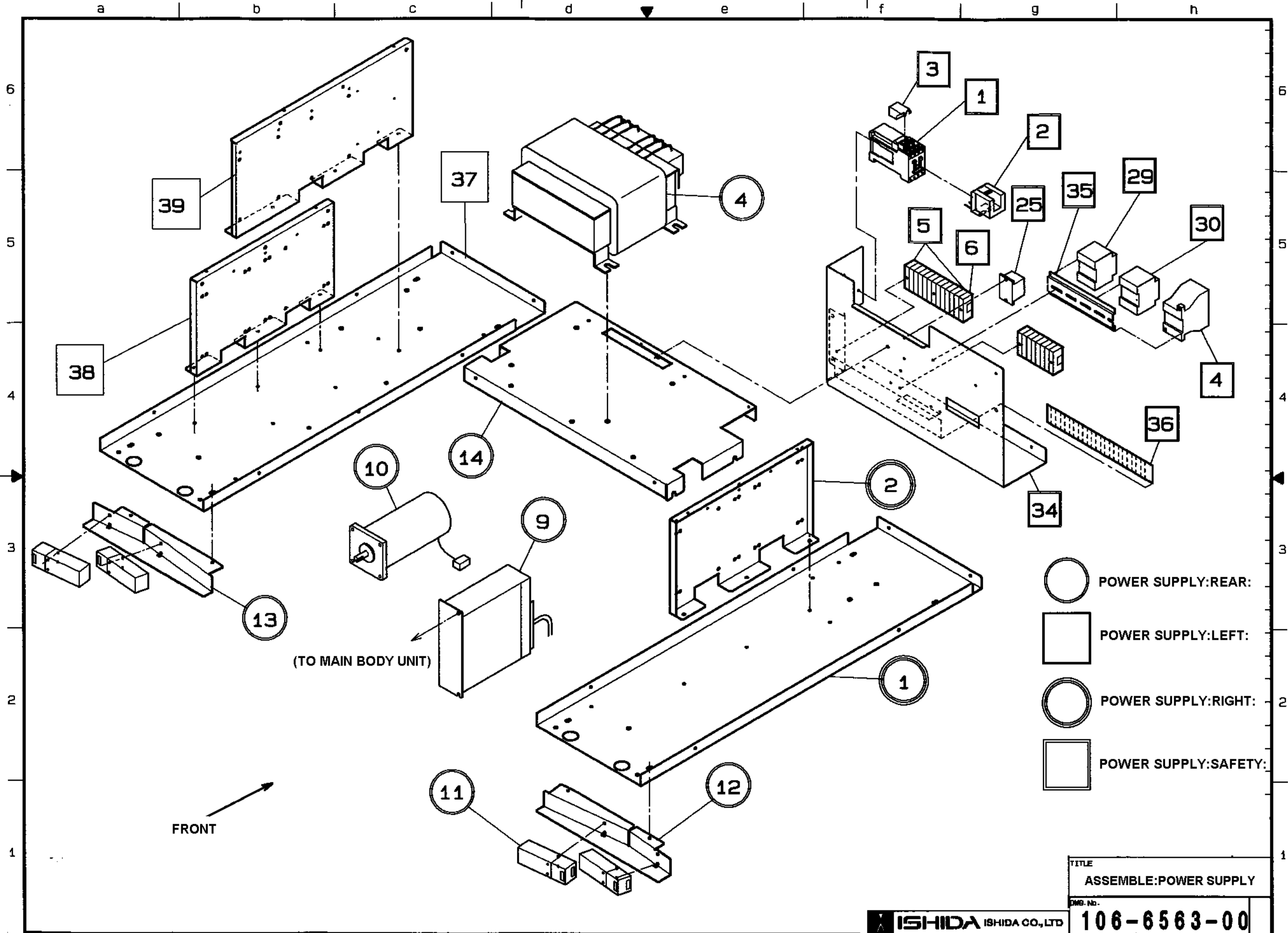
ITEM	PART CODE	DESCRIPTION(NOTE)	QTY	RLWS List	REMARKS
1	069-2402-01	ELECTROMAGNETIC CONTACTOR::	1	\$49.00	
2	069-2404-09	ELECTROMAGNETIC:MAIN SERGE	1	\$45.00	
3	072-2108-04	ELECTROMAGNETIC:COIL SERGE:	1	\$30.00	
4	48203 017-5673-05	THERMAL RELAY::	1	\$67.00	
5	72856 040-2724-07	FUSE HOLDER:TERMINAL TYPE:	19	\$9.00	
6	72857 000-4119-04	FUSE HOLDER:TERMINAL TYPE:	2	\$9.00	
7	70119 009-5958-01	FUSE:GLASS TUBE: 250V 1A	3	\$3.00	Recommended (2)
8	99133 017-5713-01	FUSE:GLASS TUBE: 250v 8A	4	\$2.00	Recommended (2)
9	70122 009-5960-00	FUSE:GLASS TUBE: 250V 3A	6	\$3.00	Recommended (2)
10	70123 070-1052-01	FUSE:GLASS TUBE: 250V 4A	8	\$3.00	Recommended (2)
11	090-0590-03	HARNESS:C2:ROUND TERMINAL	1	\$5.00	
12	090-0589-09	HARNESS:C2:ROUND TERMINAL	1	\$5.00	
13	090-0588-05	HARNESS:C2:ROUND TERMINAL	1	\$5.00	
14	076-1762-06	HARNESS:S2:PS	7	\$5.00	
15	076-1766-01	HARNESS:S2:PS	4	\$5.00	
16	076-1764-03	HARNESS:S2:PS	4	\$5.00	
17	103-3940-17	HARNESS:C3:HEATER UNIT	1	\$18.00	
18	103-3936-21	HARNESS:C3:PS AC	1	\$52.00	
19	103-3941-20	HARNESS:C3:PS UNIT	1	\$15.00	
20	103-3939-21	HARNESS:C10:SERVO CTL	1	\$33.00	
21	103-3942-14	HARNESS:C8:CIRCUIT BOARD PS	1	\$74.00	
22	103-3943-18	HARNESS:C4:CIRCUIT BOARD PS	1	\$19.00	
23	103-3944-02	HARNESS:C4:DCM DRIVER	1	\$19.00	
24	103-3937-15	HARNESS:C3:PS AC	1	\$55.00	





MODEL :SAFETY UNIT::

PART: 108-0495-02

Refer to DWG № : 106-6563-00,(108-0033-05-1)

ITEM	PART CODE	DESCRIPTION(NOTE)	QTY	RLWS List	REMARKS
25	103-3823-23	RELAY AS::	1	\$106.00	
26	103-3819-28	HARNESS:C4:FEEDER	1	\$23.00	
27	103-3821-17	HARNESS:C8:SAFETY SW	1	\$33.00	
28	103-3820-13	HARNESS:C4:MAGNET	1	\$23.00	
29	72843 061-1532-01	BREAKER:CIRCUIT:	1	\$210.00	
30	061-1533-04	BREAKER:CIRCUIT:	1	\$210.00	
31	108-0236-13	HARNESS:C6:PS	1	\$13.00	
32	108-0235-10	HARNESS:C6:PS	1	\$15.00	
33	108-0237-17	HARNESS:C9:PS AC	1	\$29.00	
34	103-3996-24	BASE:SAFETY:	1	\$70.00	
35	004-9555-02	RAIL:DIN:	1	\$10.00	
36	108-0418-05	NAME PLATE:EXPLANATION:	1	\$198.00	



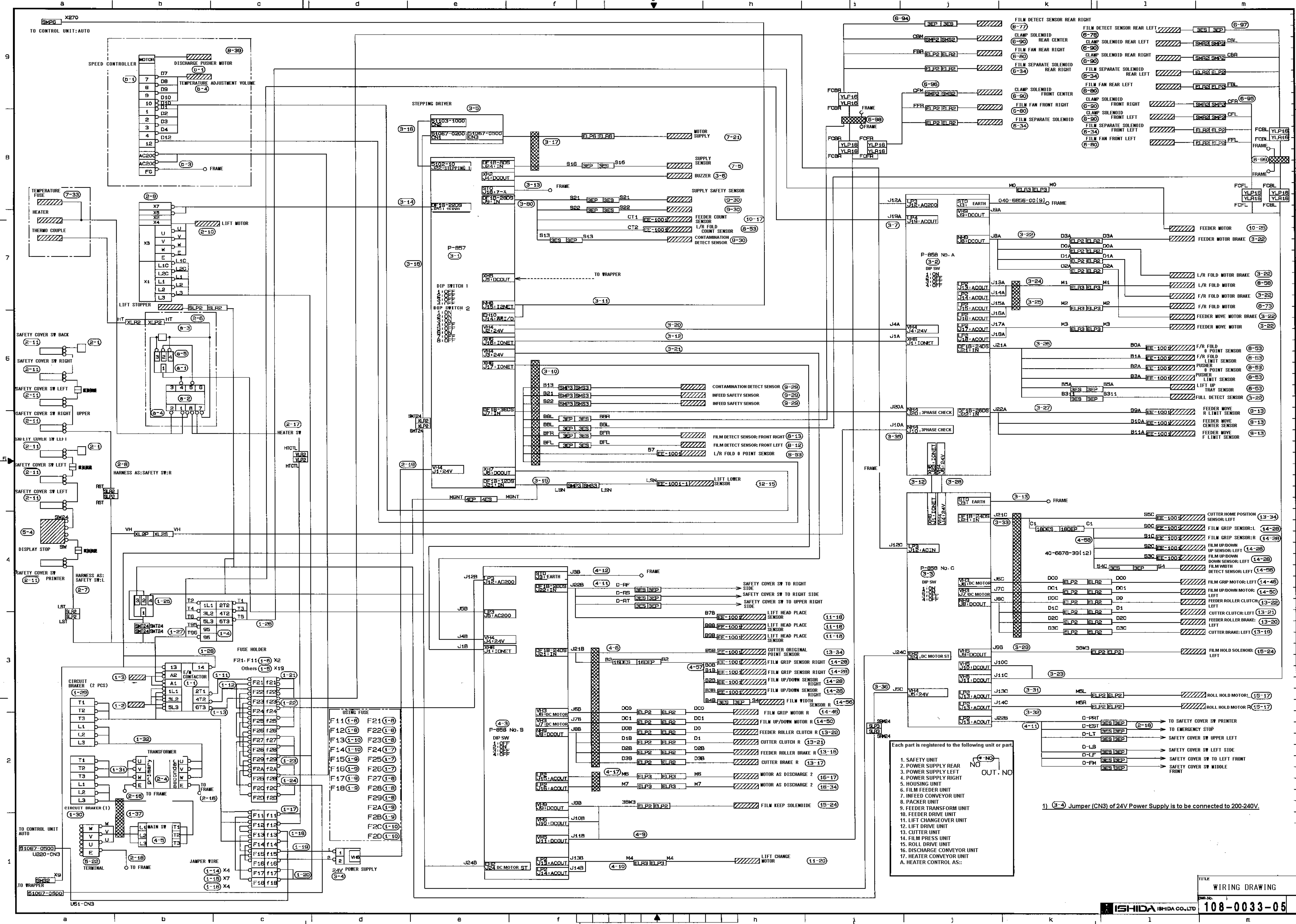
-  POWER SUPPLY:REAR:
-  POWER SUPPLY:LEFT:
-  POWER SUPPLY:RIGHT:
-  POWER SUPPLY:SAFETY:

(TO MAIN BODY UNIT)

FRONT 

TITLE	
ASSEMBLE:POWER SUPPLY	
DMS. No.	
106-6563-00	

ISHIDA ISHIDA CO.,LTD



- Each part is registered to the following unit or part.
1. SAFETY UNIT
 2. POWER SUPPLY REAR
 3. POWER SUPPLY LEFT
 4. POWER SUPPLY RIGHT
 5. HOUSING UNIT
 6. FILM FEEDER UNIT
 7. INFED CONVEYOR UNIT
 8. PACKER UNIT
 9. FEEDER TRANSFORM UNIT
 10. FEEDER DRIVE UNIT
 11. LIFT CHANGEOVER UNIT
 12. LIFT DRIVE UNIT
 13. CUTTER UNIT
 14. FILM PRESS UNIT
 15. ROLL DRIVE UNIT
 16. DISCHARGE CONVEYOR UNIT
 17. HEATER CONVEYOR UNIT
- A. HEATER CONTROL AS:

1) (3-2) Jumper (CNS) of 24V Power Supply is to be connected to 200-240V.

MODEL :ROLL DRIVE UNIT::
PART: 108-0442-05
Refer to DWG № : 106-6558-01

ITEM	PART CODE	DESCRIPTION(NOTE)	QTY	RLWS List	REMARKS
10	108-8005-00	FRAME:ROLL:DRIVE	1	\$165.00	
20	108-8006-03	FRAME:ROLL:DRIVE	1	\$165.00	
30	044-5045-01	ROLLER:FILM:	2	\$24.00	
40	014-9809-07	BUSH::	4	\$4.00	
50	103-3771-14	THREADED ROD:ROUND:FF	2	\$0.00	
60	103-3774-24	BRACKET:BEARING:	2	\$0.00	
70	026-7543-03	BEARING UNIT:FLANGE:	4	\$32.00	
110	076-1760-09	TIMING PULLEY:S5M:AF	2	\$19.00	
120	073-7228-03	TIMING PULLEY:S5M:AF	2	\$39.00	
130	030-6367-06	BEARING:RADIAL:DEEP GROOVE	2	\$21.00	
140	70134 012-3206-05	CLUTCH:ONE WAY:	2	\$39.00	
150	103-3766-33	SHAFT:ONE WAY:	2	\$21.00	
160	033-2667-01	WASHER:THRUST:	4	\$2.00	
170	72903 076-1632-23	MOTOR SA::ROLL RETAINER	2	\$243.00	
180	009-3115-01	GEAR HEAD::	2	\$154.00	
190	108-0245-17	BOSS:ROLL:DRIVE	2	\$199.00	
200	103-3773-21	BRACKET:MOTOR:ROLL	1	\$88.00	
205	108-8029-09	BRACKET:MOTOR:ROLL	1	\$88.00	
210	045-4428-08	KEY:PARALLEL:BOTH ENDS ROUND	2	\$18.00	
220	058-8165-13	TIMING PULLY:P5M:AF	2	\$116.00	
230	076-9646-06	DRUM::	2	\$83.00	
240	47560 045-3603-19	SOLENOID AS:38W:	2	\$53.00	
250	103-3776-03	PLANGER:BRAKE:	2	\$36.00	
260	103-3777-16	GUIDE:FIXED:BELT	2	\$24.00	
280	72904 076-1686-33	BELT:LEATHER:	2	\$67.00	
285	103-3778-01	BRACKET:BELT:	2	\$49.00	

MODEL :ROLL DRIVE UNIT::
PART: 108-0442-05
Refer to DWG № : 106-6558-01

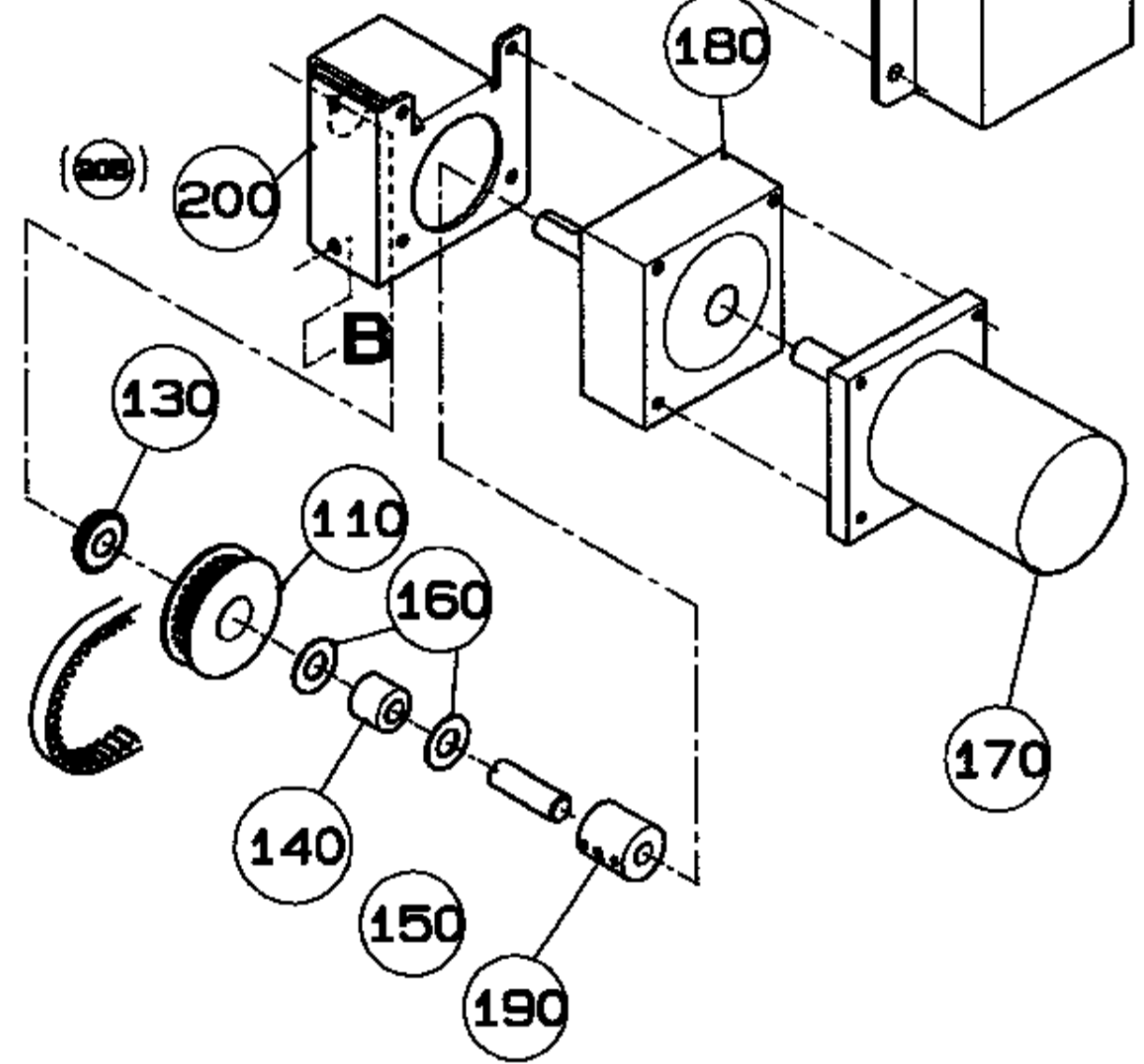
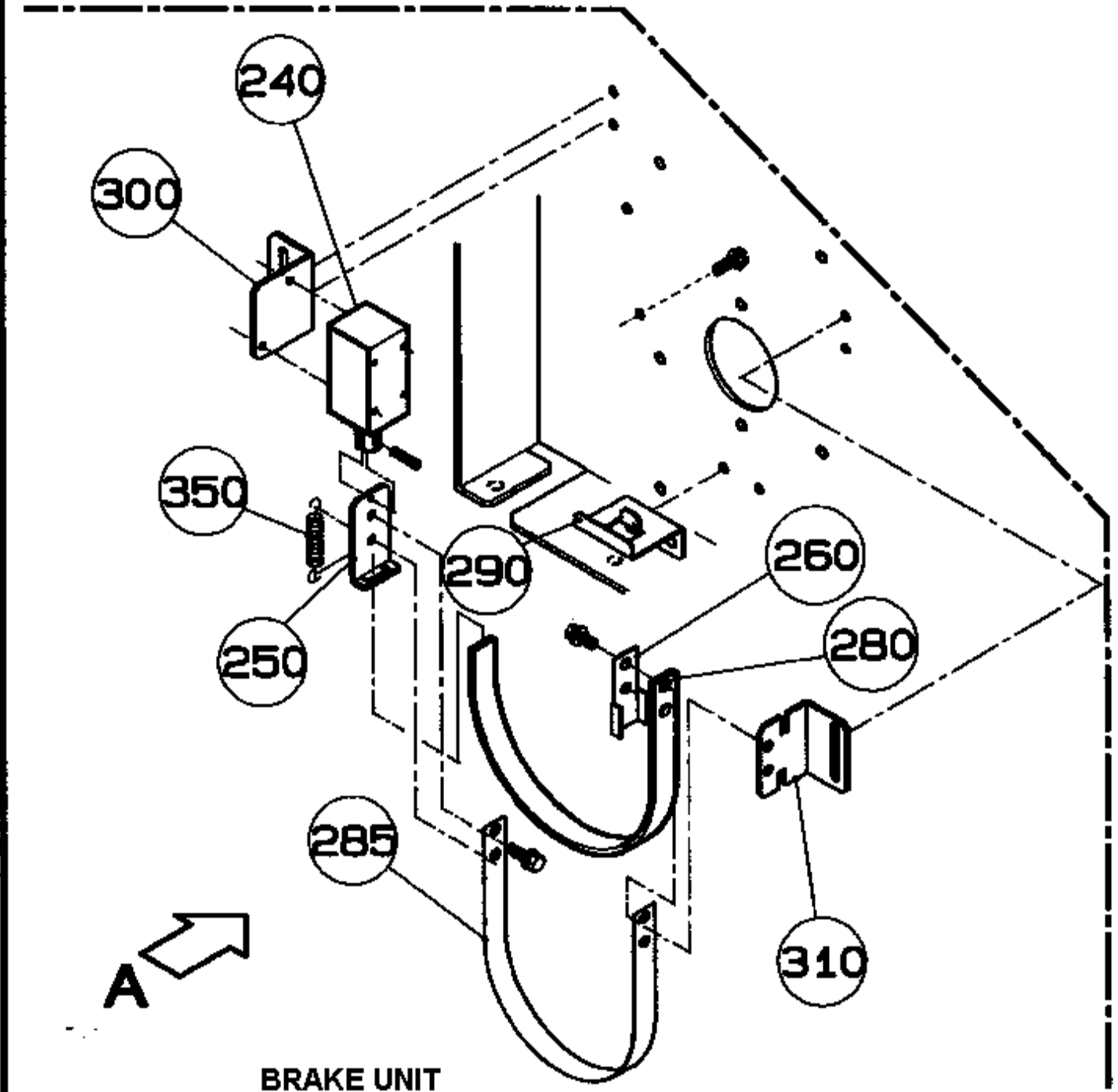
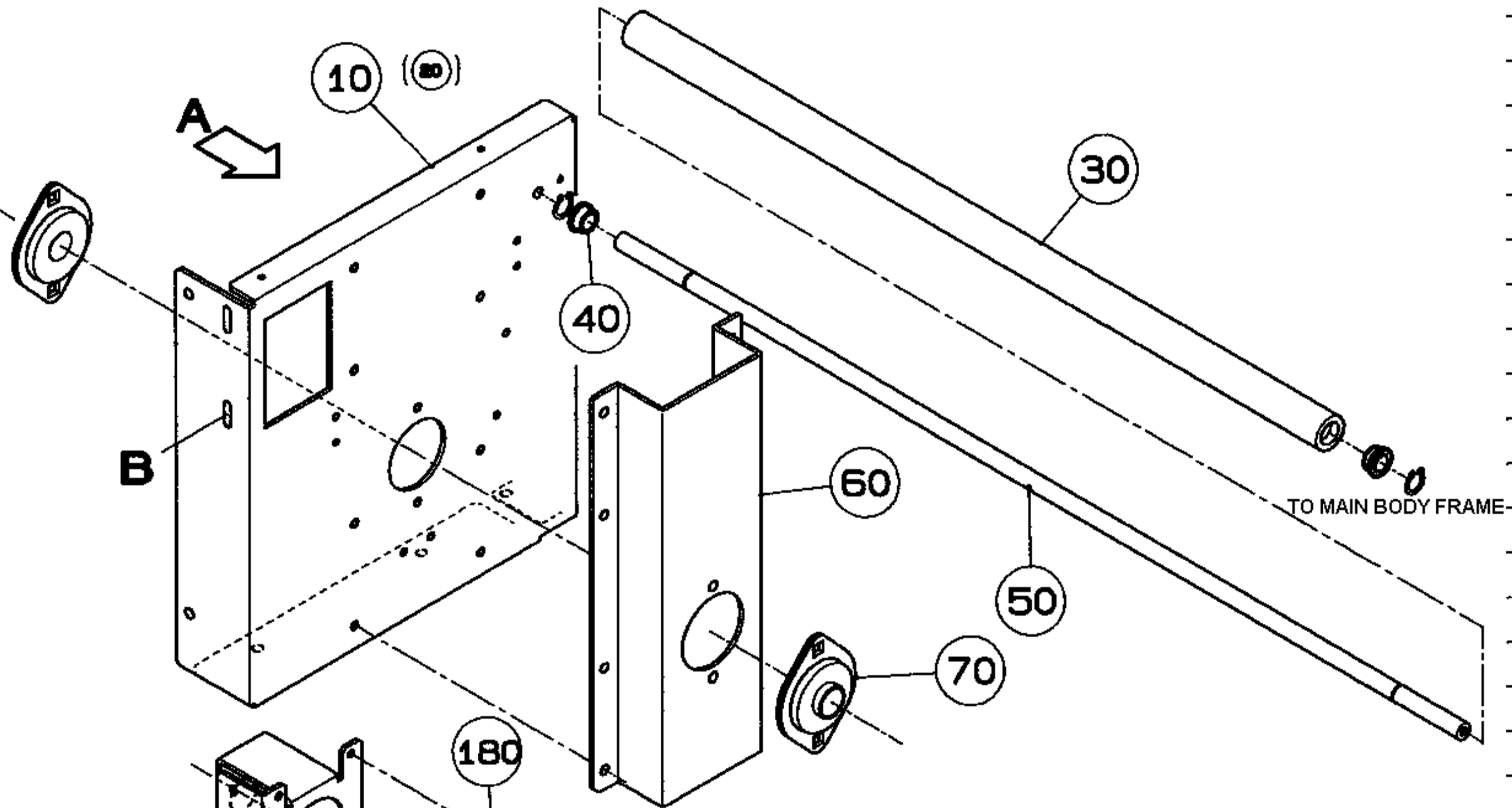
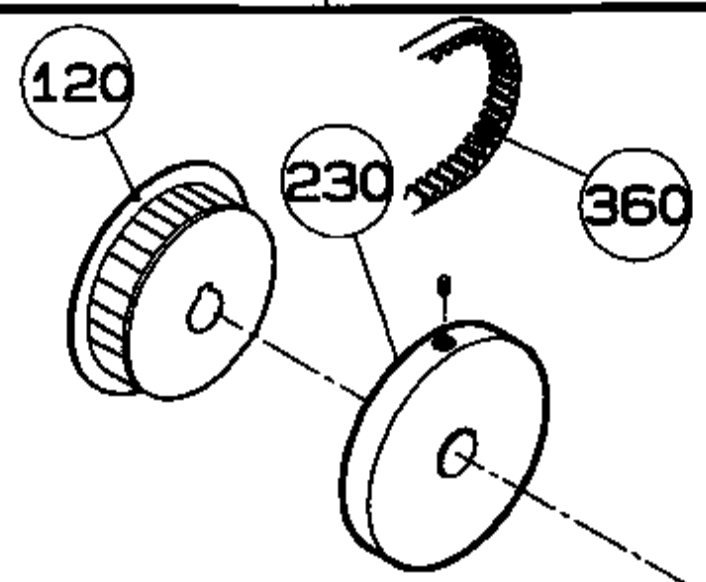
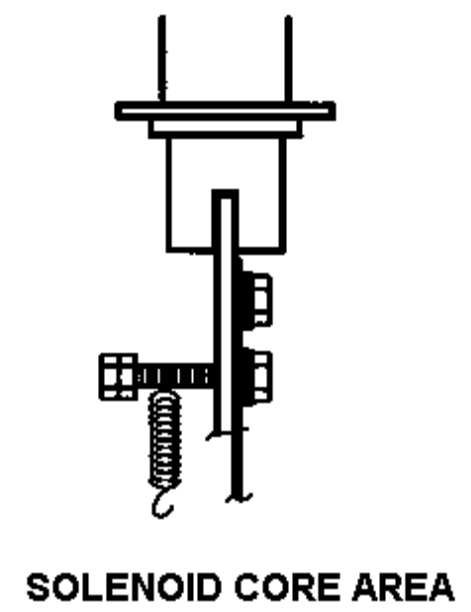
ITEM	PART CODE	DESCRIPTION(NOTE)	QTY	RLWS List	REMARKS
290	103-3769-07	GUIDE:BELT:	2	\$55.00	
300	103-3775-00	BRACKET:SOLENOID:	2	\$30.00	
310	103-3779-04	BRACKET:BRAKE:	2	\$36.00	
350	058-4897-02	SPRING:COIL:TENSION	2	\$19.00	
360	030-2864-06 107465	TIMING BELT:S5M:	2	\$39.00	

a b c d e f g h

1) This is a drawing for the right part.
The drawing for the left part is to be the opposite.
2) The parts indicated inside () are for the left part.

6
5
4
3
2
1

6
5
4
3
2
1



TITLE	ASSEMBLE:ROLL DRIVE:
DWG. No.	106-6558-01

ISHIDA ISHIDA CO.,LTD

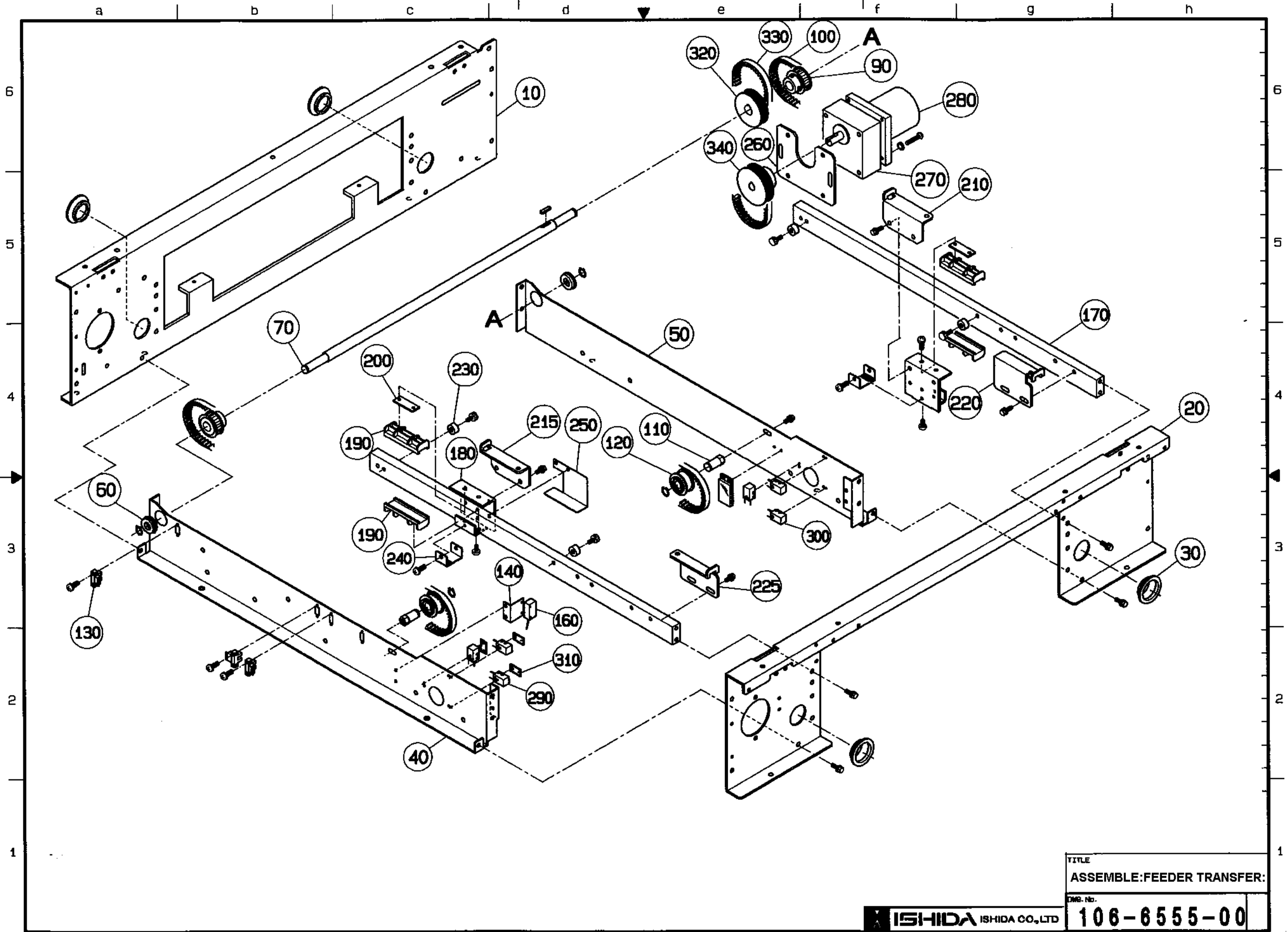
a b c d e f g h

MODEL :FEEDER MOVE UNIT::
 PART: 108-0445-06
 Refer to DWG № : 106-6555-00

ITEM	PART CODE	DESCRIPTION(NOTE)	QTY	RLWS List	REMARKS
10	103-3805-26	FRAME:FEEDER R:	1	\$257.00	
20	103-3804-22	FRAME:FEEDER:F	1	\$257.00	
30	001-9354-09	ACCESSORY:BUSH:ONE TOUCH	4	\$2.00	
40	103-3803-29	FRAME:FEEDER:MOVEMENT	1	\$189.00	
50	103-3802-25	FRAME:FEEDER:MOVEMENT	1	\$206.00	
60	030-6367-06	BEARING:RADIAL:DEEP GROOVE	2	\$21.00	
70	103-3800-00	SHAFT:DRIVE:	1	\$276.00	
90	045-3710-05	TIMING PULLEY:S5M:BF	2	\$24.00	
100	093-3125-07 107466	TIMING BELT:S5M:	2	\$17.00	
110	040-6619-03	SHAFT:TENSION:FEEDER SHIFT	2	\$9.00	
120	046-2250-02	PULLEY:TENSION:	2	\$7.00	
130	47408 012-8583-08	PHOTO INTERRUPTOR:TRANS:	3	\$30.00	
140	040-6622-14	BRACKET:SENSOR:	1	\$8.00	
160	72860 043-1683-24	SENSOR AS::FEEDER:MOVEMENT	1	\$156.00	No item sensor
170	076-1530-18	STAY::	2	\$111.00	
180	046-2231-01	HOLDER:RAIL:	2	\$10.00	
190	80374 045-3729-05	RAIL:FEEDER SHIFT:	4	\$4.00	
200	054-9354-06	PLATE A::	2	\$8.00	
210	103-3829-25	BRACKET:FEEDER:R	1	\$55.00	
215	108-0459-08	BRACKET:FEEDER:R	1	\$55.00	
220	103-3801-21	BRACKET:FEEDER:F	1	\$61.00	
225	108-8083-01	BRACKET:FEEDER:F	1	\$61.00	
230	046-2252-00	STOPPER::	4	\$2.00	
240	040-6616-02	HOLDER:TIMING BELT	2	\$7.00	
250	040-6617-42	DETECTION PLATE:FEEDER	1	\$8.00	
260	108-8030-03	BRACKET:MOTOR:MOVEMENT	1	\$42.00	

MODEL :FEEDER MOVE UNIT::
 PART: 108-0445-06
 Refer to DWG № : 106-6555-00

ITEM	PART CODE	DESCRIPTION(NOTE)	QTY	RLWS List	REMARKS
270	72862 012-4861-09	GEAR HEAD::	1	\$158.00	
280	72858 090-0630-09	MOTOR AS::FEEDER SHIFT	1	\$452.00	
290	072-2099-04	PHOTO:INTERRUPTER:EMISSION	3	\$14.00	Hand in machine, forgien object sensor
300	072-2100-05	PHOTO:INTERRUPTER:RECEIVE	3	\$24.00	Hand in machine, forgien object sensor
310	095-4038-04	SHEET:SENSOR:	3	\$2.00	
320	073-7226-06	TIMING PULLEY:S5M:AF	1	\$20.00	
330	033-3100-00 107467	TIMING BELT:S5M:	1	\$45.00	
340	057-0324-03	TIMING PULLEY:S5M:BF	1	\$72.00	



TITLE	ASSEMBLY: FEEDER TRANSFER:
ENG. No.	106-6555-00

ISHIDA ISHIDA CO., LTD

MODEL :FEEDER DRIVE UNIT:
PART: 108-0451-09
Refer to DWG № : 106-6583-04

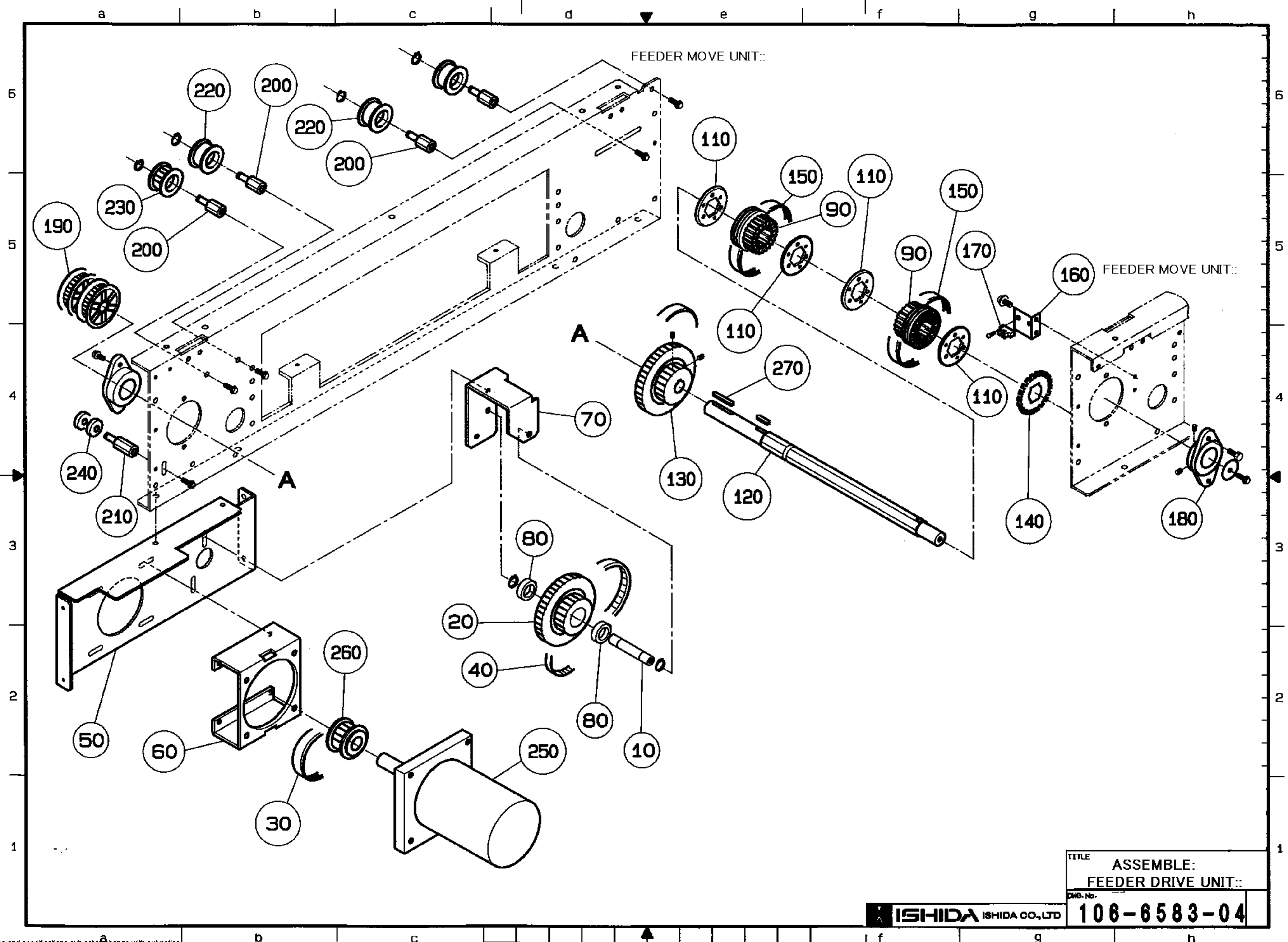
ITEM	PART CODE	DESCRIPTION(NOTE)	QTY	RLWS List	REMARKS
10	044-5322-12	SHAFT:MIDDLE:	1	\$22.00	
20	046-2255-01	TIMING PULLEY::RELAY	1	\$21.00	
30	033-3078-01 107468	TIMING BELT:S5M:	1	\$36.00	
40	100-9145-03	TIMING BELT:S5M:	1	\$39.00	
50	108-8018-08	BRACKET:MOTOR:FEEDER	1	\$111.00	
60	103-3826-06	BRACKET:MOTOR:	1	\$90.00	
70	103-3841-02	HOLDER:PULLEY	1	\$61.00	
80	52625 000-8800-02	BEARING:RADIAL:DEEP GROOVE	2	\$10.00	
90	079-3500-06	TIMING PULLEY:S5M:	2	\$6.00	
110	090-0783-05	FLANGE:FEEDER MOVE:	4	\$4.00	
120	044-5042-29	SHAFT:DRIVE:FEEDER	1	\$118.00	
130	046-2256-04	TIMING PULLEY::RELAY	1	\$19.00	
140	047-0610-00	DETECING BOARD:FEEDER DRIVE:	1	\$18.00	
150	72867 054-2355-04	TIMING BELT:S5M:	2	\$29.00	
160	040-6637-01	L PLATE A:SENSOR:FEEDER DRIVE	1	\$6.00	
170	47408 012-8583-08	PHOTO INTERRUPTOR:TRANS:	1	\$30.00	
180	026-7543-03	BEARING UNIT:FLANGE:	2	\$32.00	
190	045-3882-02	TIMING PULLEY:AT5:AF	2	\$20.00	
200	041-4322-17	SHAFT:TENSION:	4	\$8.00	
210	040-6652-16	SHAFT:TENSION:	1	\$13.00	
220	93622 045-3957-08	PULLEY:IDLER:	3	\$15.00	
230	045-3874-02	TIMING PULLEY:AT5:AF	1	\$21.00	
240	000-3650-02	BEARING:RADIAL:DEEP GROOVE	2	\$10.00	
250	72866 090-0631-02	MOTOR AS::FEEDER	1	\$565.00	
260	076-9914-04	TIMING PULLEY:S5M:AF	1	\$139.00	
270	006-6099-04	KEY:PARALLEL:BOTH ENDS ROU	1	\$5.00	

MODEL :FEEDER DRIVE UNIT::

PART: 108-0451-09

Refer to DWG № : 106-6583-04

ITEM	PART CODE	DESCRIPTION(NOTE)	QTY	RLWS List	REMARKS
260	076-9914-04	TIMING PULLEY:S5M:AF	1	\$139.00	
270	006-6099-04	KEY:PARALLEL:BOTH ENDS ROUND	1	\$5.00	



TITLE ASSEMBLY:
FEEDER DRIVE UNIT:
DWS-No. 106-6583-04

ISHIDA ISHIDA CO., LTD

MODEL :FILM FEEDER UNIT::
PART: 108-0435-09
Refer to DWG № : 106-6548-03

ITEM	PART CODE	DESCRIPTION(NOTE)	QTY	RLWS List	REMARKS
10	103-3928-21	FRAME:FEEDER:	1	\$206.00	
15	103-3929-24	FRAME:FEEDER:	1	\$206.00	
20	103-3925-01	HOLDER:RAIL:	2	\$58.00	
30	103-3926-05	RAIL:LOWER:	2	\$108.00	
40	106-6724-02	HOLDER:STOPPER:	4	\$49.00	
60	059-8257-01 106948	STOPPER:FILM:	8	\$18.00	Mounting screw is PN 42631 M3x6 SUS
70	053-1930-05	LEVER AS:STOPPER:FILM	2	\$31.00	
80	053-1931-09	LEVER AS:STOPPER:FILM	2	\$31.00	
90	053-1912-08	PIN::	4	\$11.00	
100	78083 037-4818-02	BUSH::	8	\$3.00	
110	053-1915-09	SHAFT:LEVER:	4	\$23.00	
120	000-0588-03	SPRING:COIL:TENSION	4	\$2.00	
130	053-1913-01	THREADED ROD:ROUND:FF	4	\$19.00	
140	053-1905-01	PIPE:VINYL	4	\$1.00	
150	88643 053-1893-10	SHAFT:DRIVE:	2	\$64.00	
160	89054 053-1925-15	TIMING PULLEY:T5:AAF	2	\$130.00	
170	48174 004-1478-00	BEARING:RADIAL:DEEP GROOVE	8	\$12.00	
180	88809 045-3709-01	TIMING PULLEY:S5M:AF	2	\$15.00	
190	88644 045-3708-07	TIMING PULLEY:S5M:A	2	\$13.00	
200	046-2187-01	BRACKET:TENSION:	2	\$4.00	
210	046-2188-04	BRACKET:TENSION:	2	\$4.00	
220	88647 053-1911-04	SHAFT:TENSION:	2	\$39.00	
230	88645 053-1924-11	PULLEY:TENSION:	2	\$75.00	
240	70129 076-1501-01	TIMING BELT:DT5:P1.5: NOT SANDED WHITE FILM FEED	2	\$285.00	USE WITH U.S. FILM Recommended (2)
240	99017	TIMING BELT:DT5:P1.5: SANDED WHITE FILM FEED	2	\$285.00	USE WITH JAPANESE FILM
310	103-3921-16	GUIDE:PULLEY:	1	\$113.00	

MODEL :FILM FEEDER UNIT::
PART: 108-0435-09
Refer to DWG № : 106-6548-03

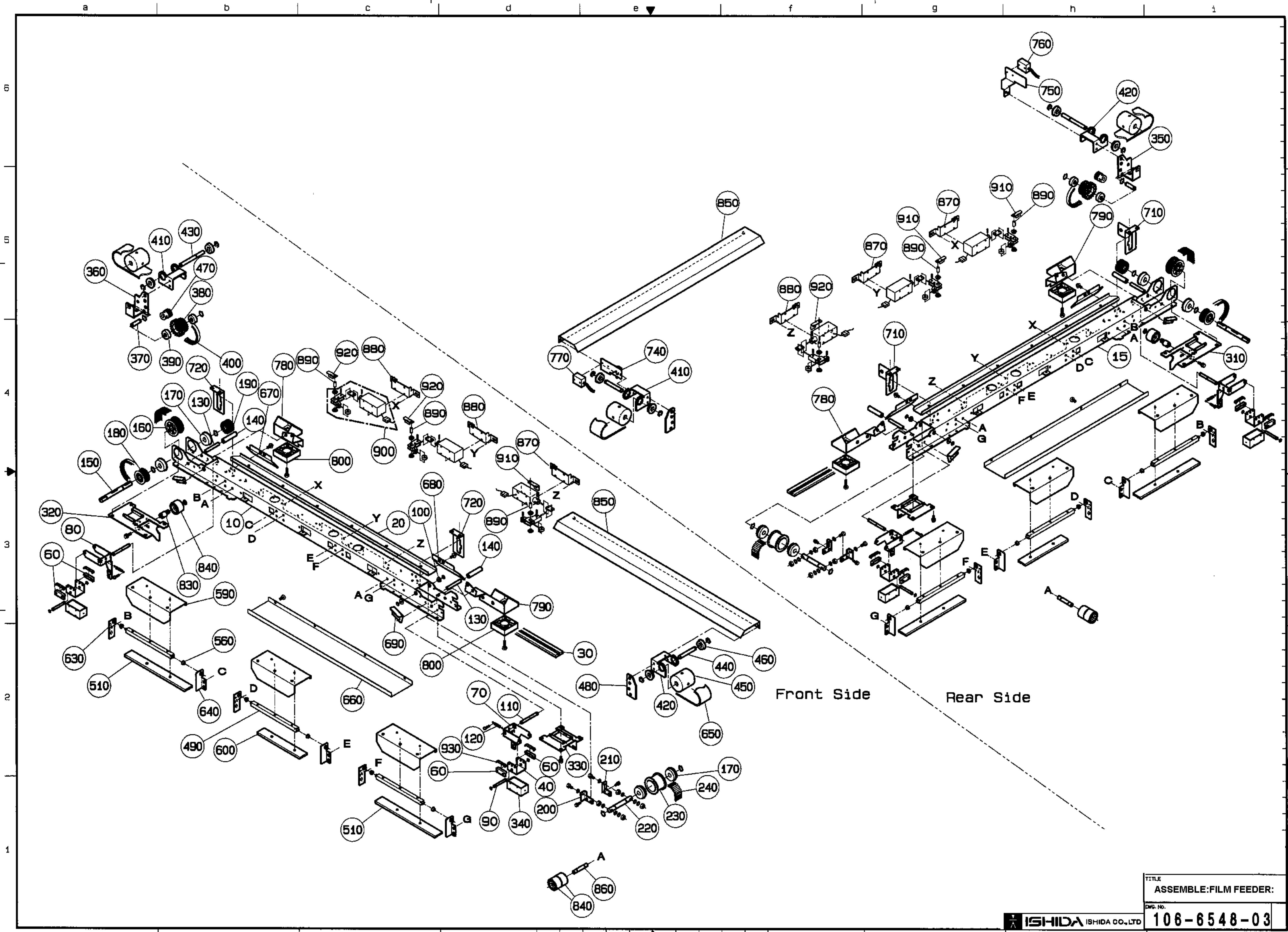
ITEM	PART CODE	DESCRIPTION(NOTE)	QTY	RLWS List	REMARKS
320	103-3922-10	GUIDE:PULLEY:	1	\$113.00	
330	103-3916-17	BRACKET:SOLENOID:	2	\$98.00	
340	47232 045-3604-12	SOLENOID AS:60W:	4	\$36.00	Recommended (1)
350	054-9361-11	HOLDER:GEAR:	1	\$39.00	
360	054-9362-15	HOLDER:GEAR:	1	\$39.00	
370	041-4246-17	SHAFT:GEAR:	2	\$5.00	
380	057-0184-09	TIMING PULLY:	2	\$15.00	
390	47165 000-3610-03	BEARING:RADIAL:NSK 608ZZ 8'22	4	\$6.00	
400	72870 045-3585-06	TIMING BELT:S5M:	2	\$18.00	
410	053-1899-02	HOLDER:PULLEY:	2	\$45.00	
420	053-1900-03	HOLDER:PULLEY:	2	\$45.00	
430	053-1910-01	SHAFT:DRIVE:	2	\$21.00	
440	053-1909-06	SHAFT:TENSION:	2	\$18.00	
450	053-1906-05	PULLEY:DRIVE:	4	\$36.00	
460	018-9939-07	BEARING:RADIAL:	8	\$9.00	
470	045-3800-07	GEAR:FLAT:	2	\$8.00	
480	046-2189-08	BRACKET:PULLEY:	2	\$4.00	
490	103-3912-12	SHAFT:CLAMP:	6	\$116.00	
510	103-3914-10	RAIL:UPPER:SIDE	4	\$45.00	
560	010-5748-00	BUSH:DU:FLANGE	12	\$5.00	
590	103-3913-16	LEVER:CLAMP:	6	\$39.00	
600	053-1904-08	RAIL:UPPER:CENTER	2	\$39.00	
630	045-3806-09	BRACKET:CLAMP:	6	\$6.00	
640	045-3807-02	BRACKET:CLAMP:	6	\$6.00	
650	70130 076-1551-07	FLAT BELT:ENDLESS:	2	\$113.00	Green belt
660	103-3924-08	COVER:FEEDER:LOWER	2	\$58.00	

MODEL :FILM FEEDER UNIT::
PART: 108-0435-09
Refer to DWG № : 106-6548-03

ITEM	PART CODE	DESCRIPTION(NOTE)	QTY	RLWS List	REMARKS
670	046-2330-07	MASK::	2	\$4.00	
680	046-2331-01	MASK::	2	\$4.00	
690	040-6687-07	BRACKET:REFLECTOR:	2	\$7.00	
710	103-3920-12	BRACKET:CONNECTOR:R	2	\$55.00	
720	103-3915-04	BRACKET:CONNECTOR:F	2	\$49.00	
740	046-2228-00	BRACKET:SENSOR:FILM	1	\$4.00	
750	112868 046-2227-06	BRACKET:SENSOR:FILM	1	\$4.00	
760	72868 048-3560-05	SENSOR AS::	1	\$153.00	
770	72869 048-3559-01	SENSOR AS::	1	\$153.00	
780	054-2363-31	BRACKET:FAN:	2	\$52.00	
790	054-2362-38	BRACKET:FAN:	2	\$52.00	
800	72871 043-1997-14	FAN AS::	4	\$67.00	
830	069-2189-26	SHAFT:PULLEY:TENTION	2	\$18.00	
840	88649 048-3915-03	PULLEY:TENSION:	10	\$9.00	
850	103-3923-13	COVER:FEEDER:UPPER	2	\$77.00	
860	103-3812-13	SHAFT:TENSION:	4	\$71.00	
870	103-3918-14	BRACKET:SOLENOID:	3	\$55.00	
880	103-3919-18	BRACKET:SOLENOID:	3	\$55.00	
890	072-2137-02	COLLAR:SPACER:	6	\$2.00	
900	98406 091-0573-07	LEVER AS::CLAMP	6	\$36.00	Recommended (1)
910	103-3909-01	STAY:LINK:	3	\$26.00	
920	103-3910-06	STAY:LINK:	3	\$26.00	
930	108-0220-05 106949	SHEET:FEEDER:RUNNING OFF	8	\$5.00	Black grip tape
940	103-3817-21	HARNESS:C5:FEEDER BR	1	\$45.00	
950	103-3952-11	HARNESS:C5:FEEDER FL	1	\$45.00	
960	103-3953-24	HARNESS:C4:FEEDER FR	1	\$32.00	

MODEL :FILM FEEDER UNIT::
PART: 108-0435-09
Refer to DWG № : 106-6548-03

ITEM	PART CODE	DESCRIPTION(NOTE)	QTY	RLWS List	REMARKS
970	103-3954-19	HARNESS:C6:FEEDER BL	1	\$55.00	
980	103-3951-09	HARNESS:C5:JUNCTION-R	1	\$58.00	
990	103-3950-05	HARNESS:C3:JUNCTION-L	1	\$52.00	



TITLE
ASSEMBLE: FILM FEEDER:
 DWG. NO.
106-6548-03

MODEL :WRAPPING UNIT::
 PART: 108-0443-09
 Refer to DWG № : 106-6578-05-1

ITEM	PART CODE	DESCRIPTION(NOTE)	QTY	RLWS List	REMARKS
10	103-3891-27	FRAME:WRAPPING:REAR	1	\$218.00	
20	106-6509-17	FRAME:SLIDE:WRAPPING	2	\$116.00	
30	046-2252-00	STOPPER::	2	\$2.00	
35	060-8857-09	STAND::	2	\$1.00	
40	076-1571-01	SHAFT:LINEAR:	1	\$68.00	
50	076-1759-04	HOUSING:F:S	2	\$17.00	
51	106-6540-13	GUIDE:INSERT:FILM	1	\$147.00	
52	106-6541-17	GUIDE:INSERT:FILM	1	\$147.00	
60	028-1516-05	BEARING:LINEAR BUSH:	4	\$26.00	
70	072-2148-03	SHAFT:STEP TYPE:	8	\$32.00	
80	106-6551-05	BRACKET:ROLLER:SQUEEZE	1	\$113.00	
90	106-6552-09	BRACKET:ROLLER:SQUEEZE	1	\$113.00	
100	028-1523-01	BUSH::	16	\$2.00	
110	049-2049-01	BRACKET:SENSOR:F	2	\$4.00	
120	048-3558-07	SENSOR AS::	1	\$139.00	
130	043-1671-20	SENSOR AS::	1	\$139.00	
140	076-1576-00	SHAFT:DRIVE:PUSHER	1	\$65.00	
150	045-3975-05	KEY:PARALLEL:BOTH ENDS ROUND	1	\$7.00	
160	048-3920-02	PULLEY AS:WRAPPING:	2	\$33.00	
170	045-4372-03	TIMING BELT:S5M:	2	\$33.00	
200	001-3917-03	BEARING UNIT:FLANGE:	2	\$33.00	
220	106-6524-04	SHAFT:TENSION:	2	\$95.00	
230	045-3957-08	PULLEY:IDLER:	2	\$14.00	
240	095-4085-19	BLOCK B:SLIDER:PUSHER J	1	\$52.00	
250	095-4086-12	BLOCK B:SLIDER:PUSHER J	1	\$52.00	
260	108-0348-17	PUSHER::	1	\$183.00	

MODEL :WRAPPING UNIT::
PART: 108-0443-09
Refer to DWG № : 106-6578-05-1

ITEM	PART CODE	DESCRIPTION(NOTE)	QTY	RLWS List	REMARKS
261	112732 095-4180-01	SHEET::CENTER	2	\$4.00	
262	112733 101-1874-03	SHEET:CLAMP:L & R	2	\$9.00	
263	112734 101-1639-13	SHEET::TOP PUSHER	2	\$7.00	
270	065-9851-07	HOLDER:BELT:S5MJ	2	\$8.00	
280	103-3876-11	DETECTING PLATE::PUSHER	1	\$13.00	
290	103-3879-03	PLATE A::SQUEEZE	1	\$214.00	
300	098-3131-06	HOLDER:SHAFT:	2	\$4.00	
310	076-1573-18	SHAFT::R	1	\$42.00	
320	108171 076-3392-09	BLOCK B:SLIDE:FOLD	2	\$9.00	
340	106-6549-07	DETECTING PLATE:R SQUEEZE:	1	\$49.00	
360	076-1568-00	SHAFT:LINEAR:	1	\$71.00	
370	109652 045-3931-01	HOUSING:LINEAR:	2	\$21.00	
380	028-1518-02	BEARING:LINEAR BUSH:	4	\$36.00	
390	108-8173-02	MOTOR AS::DISCHARGE PUSHER	1	\$811.00	
400	076-1577-12	BRACKET:MOTOR:PUSHER	1	\$36.00	
410	045-3876-00	GEAR:FLAT:	1	\$17.00	
420	044-5479-04	BRACKET:POLE:	1	\$36.00	
430	044-5487-31	SHAFT:FULCRUM:	1	\$10.00	
440	046-2224-05	TIMING PULLEY:S5M:BF	1	\$21.00	
450	045-3583-09	TIMING BELT:S5M:	1	\$27.00	
460	044-5488-17	BRACKET:BEARING:FULCRUM	1	\$65.00	
470	041-4397-07	BEARING:RADIAL:DEEP GROOVE	1	\$19.00	
480	045-3737-05	BEARING:RADIAL:DEEP GROOVE	1	\$49.00	
490	042-4883-17	BOSS:DETECTING BOARD:S STO	1	\$29.00	
500	042-4884-11	PLATE B:DETECTING BOARD:	1	\$15.00	
510	042-4885-14	PLATE B:DETECTING BOARD:PS	1	\$12.00	

MODEL :WRAPPING UNIT::
 PART: 108-0443-09
 Refer to DWG № : 106-6578-05-1

ITEM	PART CODE	DESCRIPTION(NOTE)	QTY	RLWS List	REMARKS
520	044-5491-19	BRACKET:SENSOR:	1	\$28.00	
530	012-8583-08	PHOTO INTERRUPTOR:TRANS:	6	\$27.00	
540	076-1570-08	LINK:DRIVE:S STOP	1	\$45.00	
550	076-1569-03	LINK:S PLATE:	2	\$31.00	
560	006-7758-09	COLLAR::	4	\$8.00	
570	002-5807-01	BUSH::	12	\$5.00	
580	090-0629-04	MOTOR AS::L/R WRAPPING	1	\$509.00	
590	045-3628-02	GEAR HEAD::	1	\$195.00	
600	042-4859-26	BRACKET:MOTOR:S STOP	1	\$26.00	
610	045-3932-05	TIMING PULLEY:S5M:AF	1	\$24.00	
620	106-6504-28	FRAME:WRAPPING:F	1	\$183.00	
640	106-6506-34	FRAME:SIDE:L	1	\$198.00	
660	106-6505-21	FRAME:SIDE:R	1	\$190.00	
670	106-6511-33	FRAME:SQUEEZE:WRAPPING	1	\$129.00	
680	106-6512-37	FRAME:SQUEEZE:WRAPPING	1	\$129.00	
690	103-3867-27	BRACKET:TRANSFORMER:	1	\$240.00	
700	106-6508-22	BRACKET:PRINTER:	1	\$193.00	
710	103-3875-18	BRACKET:SENSOR:	4	\$20.00	
730	090-0628-01	MOTOR AS::F/R WRAPPING	1	\$509.00	
740	025-1669-00	GEAR HEAD::	1	\$212.00	
750	043-1575-25	BRACKET:MOTOR:	1	\$20.00	
760	045-3524-09	BLOCK B:LINKL:DRIVE	1	\$36.00	
770	042-4847-31	BUSH::	2	\$31.00	
780	076-1575-06	SHAFT:DRIVE:R STOP	1	\$83.00	
790	83313 042-4846-37	BLOCK B:LINK:	1	\$16.00	
800	83314 042-4848-16	COLLAR::	2	\$6.00	

MODEL :WRAPPING UNIT::
 PART: 108-0443-09
 Refer to DWG № : 106-6578-05-1

ITEM	PART CODE	DESCRIPTION(NOTE)	QTY	RLWS List	REMARKS
810	103-3878-00	ARM::R SQUEEZE	2	\$201.00	
820	090-0995-08	PLATE B:LINK:FOLD	2	\$7.00	
830	002-7306-00	COLLAR::	2	\$5.00	
840	108172 073-7117-03	PIN:STEP:FOLD	2	\$9.00	
860	076-9714-15	PLATE B:STOP:	1	\$129.00	
870	076-9715-19	PLATE B:STOP:	1	\$129.00	
910	103-3856-26	COVER:PULLEY:	1	\$124.00	
920	092-2713-06	SHAFT:STEP TYPE:	3	\$42.00	
930	103-3857-01	HOLDER:SHAFT:	2	\$70.00	
940	103-3874-32	BRACKET:CONTROLLER	1	\$49.00	

MODEL :CUTTER UNIT:
PART: 108-0432-08
Refer to DWG № : 106-6559-04

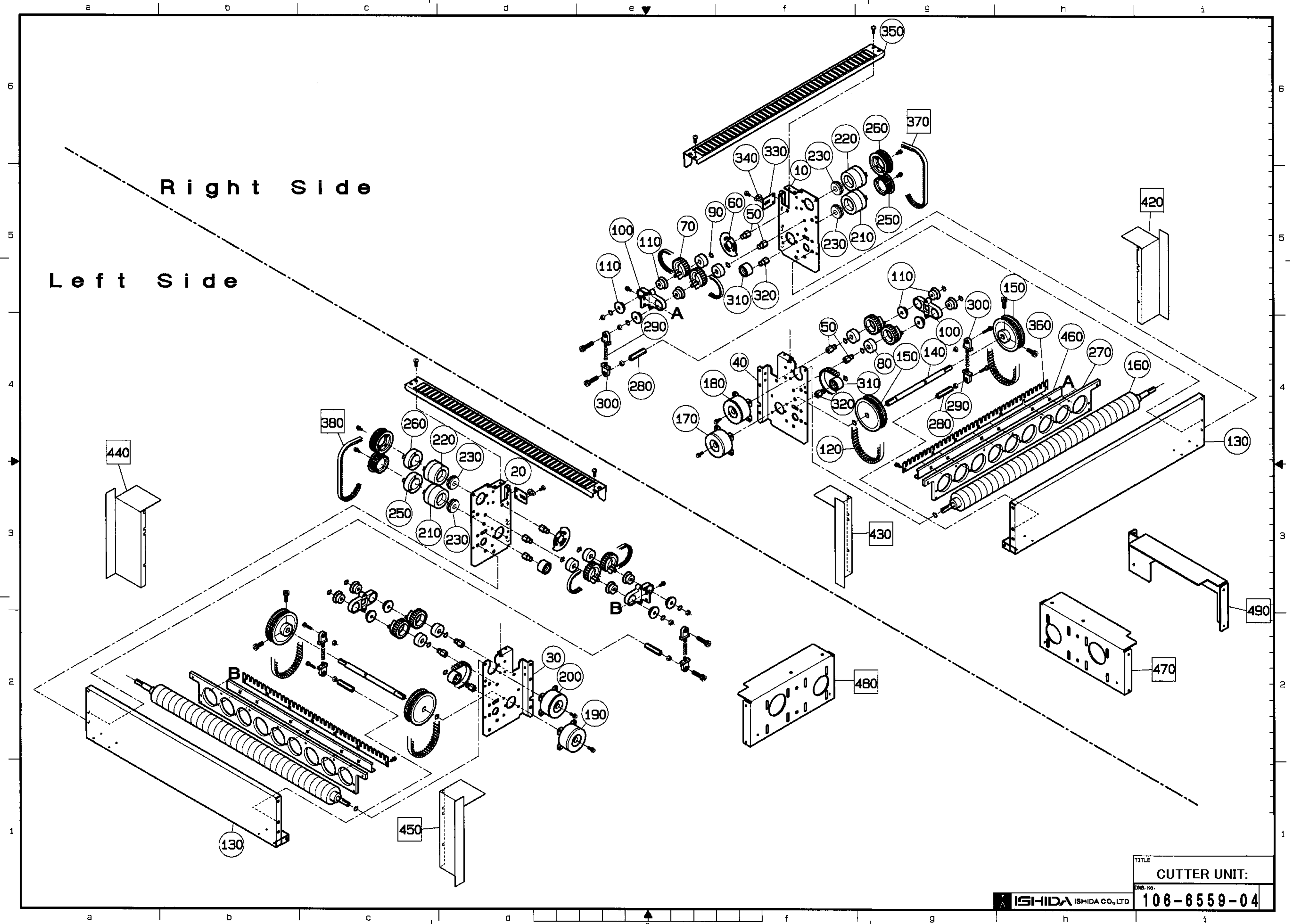
ITEM	PART CODE	DESCRIPTION(NOTE)	QTY	RLWS List	REMARKS
10	103-3808-18	FRAME:CUTTER:	1	\$103.00	
20	103-3809-11	FRAME:CUTTER:	1	\$103.00	
30	103-3806-11	FRAME:CUTTER:BRAKE	1	\$98.00	
40	103-3807-14	FRAME:CUTTER:BRAKE	1	\$98.00	
50	045-3791-07	SHAFT:TENSION:	8	\$9.00	
60	046-2230-08	DETECTING BOARD:CUTTER:	2	\$3.00	
70	046-2315-01	TIMING PULLEY:S5M:A CRANK	8	\$20.00	
80	000-3650-02	BEARING:RADIAL:DEEP GROOVE	8	\$10.00	
90	006-3275-02	C RING:FOR HOLE:	8	\$3.00	
100	043-1512-21	BRACKET:HOLER:	4	\$36.00	
110	028-1560-00	BEARING:RADIAL:	16	\$5.00	
120	045-3587-03	TIMING BELT:S5M:	4	\$18.00	
130	091-0774-09	STAY:CUTTER:	2	\$118.00	
140	076-1584-00	SHAFT:DRIVE:CUTTER	2	\$136.00	
150	045-3852-01	TIMING PULLEY:S5M:BF	4	\$24.00	
160	88646 094-2868-04	ROLLER, POLISHED, FILM FEED	2	\$360.00	
170	058-8218-17	BRAKE AS::	1	\$189.00	Cutter, right
180	058-8219-11	BRAKE AS::	1	\$189.00	Polished roller, right
190	090-0806-07	BRAKE AS::	1	\$191.00	Cutter, left
200	090-0805-03	BRAKE AS::	1	\$191.00	Polished roller, left
210	058-8215-16	CLUTCH AS::	2	\$167.00	Cutters
220	058-8216-10	CLUTCH AS::	2	\$167.00	Polished rollers
230	039-2451-07	BEARING:RADIAL:DEEP GROOVE	4	\$14.00	
240	040-6675-02	JOINT:PULLEY:	2	\$61.00	
250	045-3881-09	TIMING PULLEY:AT5:AF	2	\$4.00	
260	045-3883-06	TIMING PULLEY:AT5:AF	2	\$5.00	

MODEL :CUTTER UNIT:
 PART: 108-0432-08
 Refer to DWG № : 106-6559-04

ITEM	PART CODE	DESCRIPTION(NOTE)	QTY	RLWS List	REMARKS
270	093-5012-16	HOLDER:CUTTER:	2	\$144.00	
280	043-1510-05	DISTANCE::	4	\$5.00	
290	015-5666-04	SPRING:COIL:TENSION	4	\$7.00	
300	011-5180-11	HANGER:SPRING:	8	\$1.00	
310	88649 048-3915-03	PULLEY:TENSION:	4	\$9.00	
320	049-2366-02	SHAFT:TENSION:	4	\$8.00	
330	040-6662-13	BRACKET:SENSOR:	2	\$6.00	
340	47408 012-8583-08	PHOTO INTERRUPTOR:TRANS:	2	\$30.00	
350	076-1586-25	GUIDE:CUTTER:UNDER	2	\$68.00	
360	108-0221-09	CUTTER:SAW BLADE:K0	2	\$191.00	
460	095-4092-06	C ANGLE PLATE A:CUTTER:	2	\$71.00	

MODEL :CUTTER UNIT:
 PART: 108-0433-01
 Refer to DWG № : 106-6559-04

ITEM	PART CODE	DESCRIPTION(NOTE)	QTY	RLWS List	REMARKS
370	72883 076-1590-02	TIMING BELT:AT5:	1	\$301.00	
380	72884 041-4277-12	TIMING BELT:AT5:	1	\$74.00	
420	106-6605-11	COVER:CUTTER:	1	\$67.00	
430	106-6606-15	COVER:CUTTER:	1	\$67.00	
440	108-0395-03	COVER:CUTTER:	1	\$70.00	
450	108-0396-07	COVER:CUTTER:	1	\$70.00	
490	108-8019-01	STAY:FEEDER MOVEMENT:R	1	\$126.00	
470	108-8021-00	BRACKET:MOTOR:DISCHARGE	1	\$98.00	
480	108-8022-03	BRACKET:MOTOR:DISCHARGE	1	\$98.00	



Right Side

Left Side

TITLE	CUTTER UNIT:
Dwg. No.	106-6559-04

ISHIDA ISHIDA CO., LTD

MODEL :FILM PRESS UNIT:
 PART: 108-0438-00
 Refer to DWG № : 106-6556-03

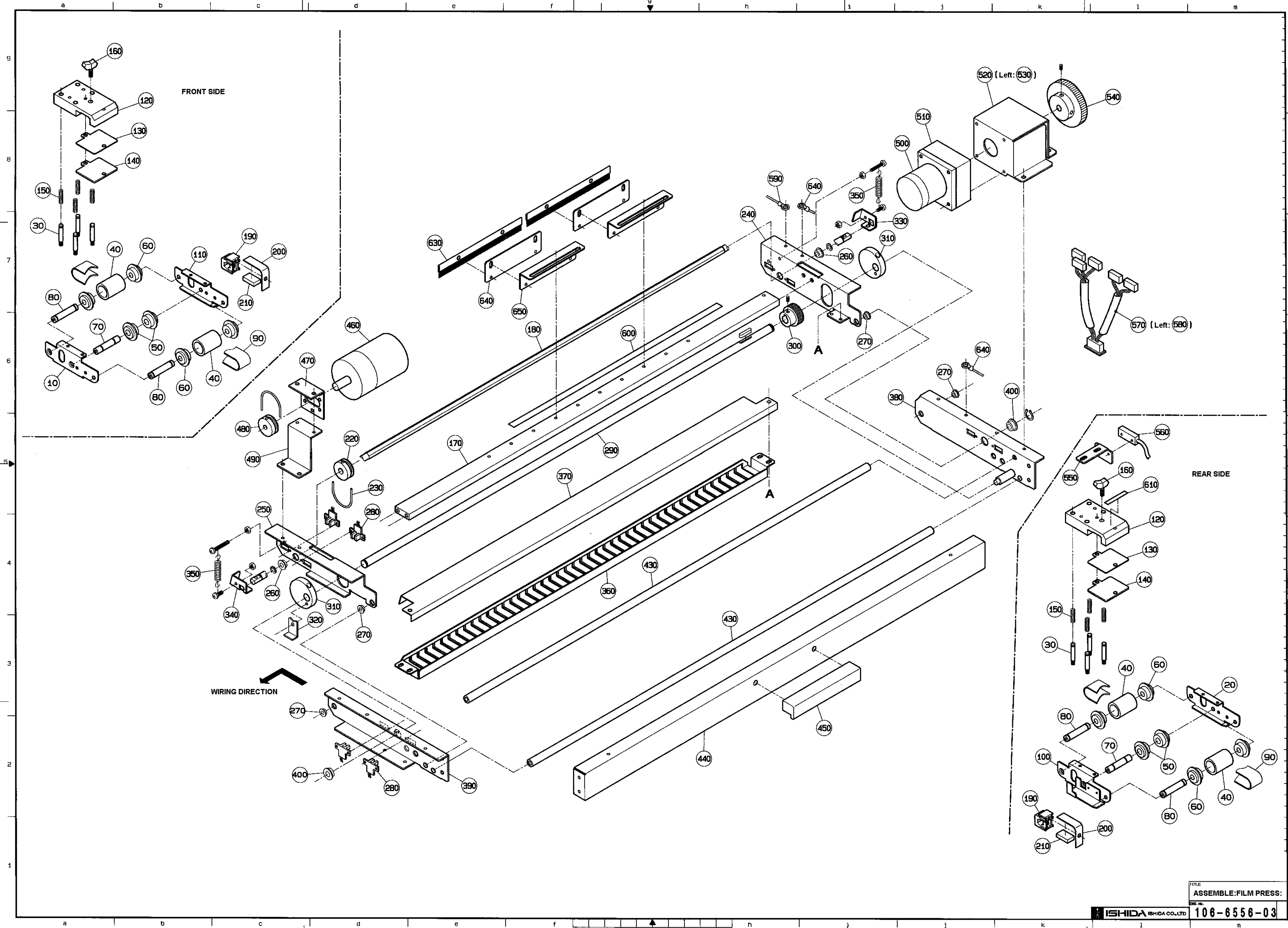
ITEM	PART CODE	DESCRIPTION(NOTE)	QTY	RLWS List	REMARKS
10	045-3858-11	HOLDER:PULLEY:	2	\$9.00	
20	045-3859-15	HOLDER:PULLEY:	2	\$9.00	
30	041-4171-02	PIN::	16	\$3.00	
40	053-1918-00	PULLEY:FOLLOWER:	8	\$24.00	
50	000-3610-03	BEARING:RADIAL:NSK 608ZZ 8'22	16	\$5.00	
60	000-3620-01	BEARING:RADIAL:	16	\$10.00	
70	053-1920-26	SHAFT:PULLEY:	4	\$23.00	
80	053-1919-03	SHAFT:PULLEY:	8	\$20.00	
90	053-1937-01	FLAT BELT::ENDLESS	4	\$55.00	
100	095-4088-10	HOLDER AS:PULLEY	2	\$31.00	
110	095-4089-13	HOLDER AS:PULLERY	2	\$31.00	
120	053-1923-09	HOLDER:SPRING:	4	\$65.00	
130	053-1922-05	SLIDER::	4	\$21.00	
140	053-1921-01	HOLDER:SLIDER:	4	\$11.00	
150	041-4314-08	SPRING:COIL:COMPRESSIVE	18	\$1.00	
160	047-0950-06	WING BOLT::	2	\$2.00	
170	076-1603-34	STAY::	2	\$131.00	
180	108-8026-08	SHAFT:LEVER:	2	\$172.00	
190	049-2023-05	BLOCK B:LEVER	4	\$1.00	
200	049-2028-12	LEVER:CHANGEOVER	4	\$5.00	
210	040-6688-10	HOLDER:FILM:	4	\$2.00	
220	040-6682-18	ROUND PULLEY:4:	2	\$24.00	
230	039-4233-09	ROUND BELT:SEAMLESS:	2	\$11.00	
240	045-3558-05	FRAME:FILM RETAINER:	2	\$12.00	
250	045-3559-18	FRAME:FILM RETAINER:	2	\$11.00	
260	031-9453-01	BUSH::	4	\$2.00	

MODEL :FILM PRESS UNIT:
 PART: 108-0438-00
 Refer to DWG № : 106-6556-03

ITEM	PART CODE	DESCRIPTION(NOTE)	QTY	RLWS List	REMARKS
270	78083 037-4818-02	BUSH::	8	\$3.00	
280	012-8583-08	PHOTO INTERRUPTOR:TRANS:	8	\$27.00	
290	044-5047-09	SHAFT:CAM:	2	\$58.00	
300	041-4160-01	GEAR:FLAT:	2	\$58.00	
310	040-6676-06	CAM::	4	\$33.00	
320	040-6677-00	DETECTING PLATE::	2	\$8.00	
330	047-0683-01	LEVER::	2	\$8.00	
340	047-0684-05	LEVER::	2	\$8.00	
350	000-0588-03	SPRING:COIL:TENSION	4	\$2.00	
360	076-1601-28	GUIDE:CUTTER:UPPER	2	\$65.00	
370	076-1602-03	COVER:CUTTER:	2	\$33.00	
380	108-0257-02	HOLDER AS:FILM STOPPER:	2	\$88.00	
390	108-0258-06	HOLDER AS:FOLM STOPPER:	2	\$88.00	
400	030-2990-02	BUSH::	4	\$2.00	
430	044-5046-05	THREADED ROD:ROUND:FF	4	\$52.00	
440	076-1594-16	STAY::	2	\$65.00	
450	050-2563-03	LUG:BOX TYPE:	2	\$20.00	
460	108-0189-11	MOTOR AS:4.5W:	2	\$108.00	
470	040-6680-01	HOLDER:MOTOR:	2	\$12.00	
480	040-6681-14	ROUND PULLEY:4:	2	\$26.00	
490	108-8027-01	BRACKET:MOTOR:	2	\$42.00	
500	108-0190-16	MOTOR AS:7.2W:	2	\$80.00	
510	041-4287-10	GEAR HEAD::	2	\$106.00	
520	040-6691-21	BRACKET:MOTOR:	1	\$26.00	
530	040-6692-24	BRACKET:MOTOR:	1	\$26.00	
540	041-4159-16	GEAR:FLAT:	2	\$72.00	

MODEL :FILM PRESS UNIT:
 PART: 108-0438-00
 Refer to DWG № : 106-6556-03

ITEM	PART CODE	DESCRIPTION(NOTE)	QTY	RLWS List	REMARKS
550	053-1917-06	BRACKET:SENSOR:	2	\$27.00	
560	98405 108-0188-09	SENSOR AS::	2	\$152.00	Recommended (1)
570	108-0265-11	HARNESS:C6:SENSOR R	1	\$77.00	
580	108-0264-18	HARNESS:C6:SENSOR L	1	\$77.00	
590	046-2349-07	HARNESS:C2:EARTH	2	\$4.00	
600	091-0787-16	NAME PLATE:OPERATION:FILM W	2	\$21.00	
610	059-0114-02	NAME PLATE:OPERATION:	2	\$8.00	
630	72914 076-9928-06	BRUSH:ANT-STATIC:	4	\$34.00	
640	076-9929-19	PLATE B:BRUSH:	4	\$14.00	
650	076-9730-06	BRACKET:STATIC:	4	\$29.00	
660	072-8327-05	HARNESS:S2:EARTH	2	\$5.00	



FRONT SIDE

REAR SIDE

WIRING DIRECTION

TITLE
ASSEMBLY: FILM PRESS:

106-6556-03

MODEL :FILM PRESS UNIT:
PART: 108-0439-03
Refer to DWG № : 108-8177-07

ITEM	PART CODE	DESCRIPTION(NOTE)	QTY	RLWS List	REMARKS
10	001-6596-02	STAY::R	1	\$42.00	
20	057-0432-02	STAY::L	1	\$58.00	
30	091-0780-11	BRACKET:STAY:	2	\$20.00	
40	108-0252-13	BRACKET:FILM STOPPER:	4	\$39.00	

a

b

c

d

This drawing is for the right side part.
The direction of the left side part is the opposite.

6

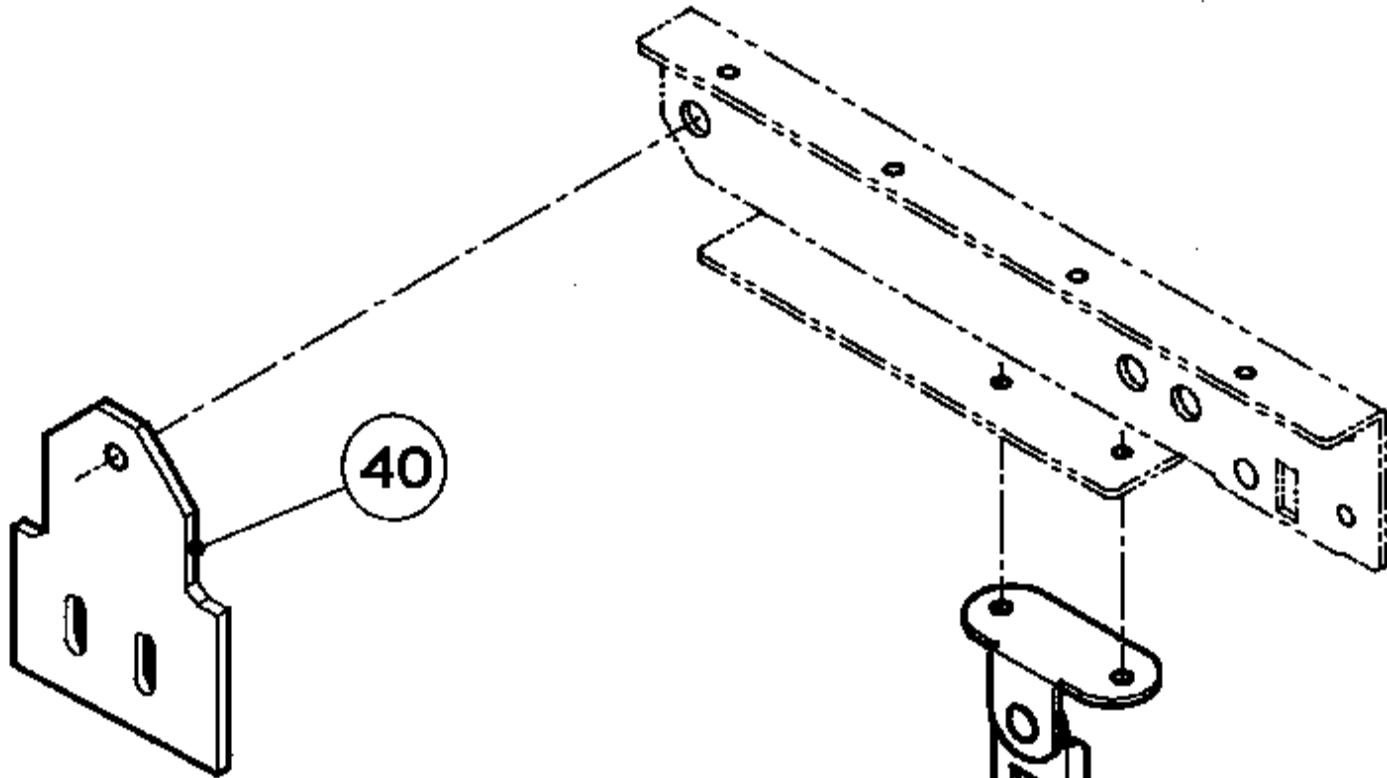
6

5

5

4

4



Feeder Transfer Unit Frame

20 (Left: 10)

To Cutter Unit

30

3

3

2

2

1

1

TITLE
ASSEMBLE: FILM PRESS:
INNER FENCE

DWG. No.
108-8177-07

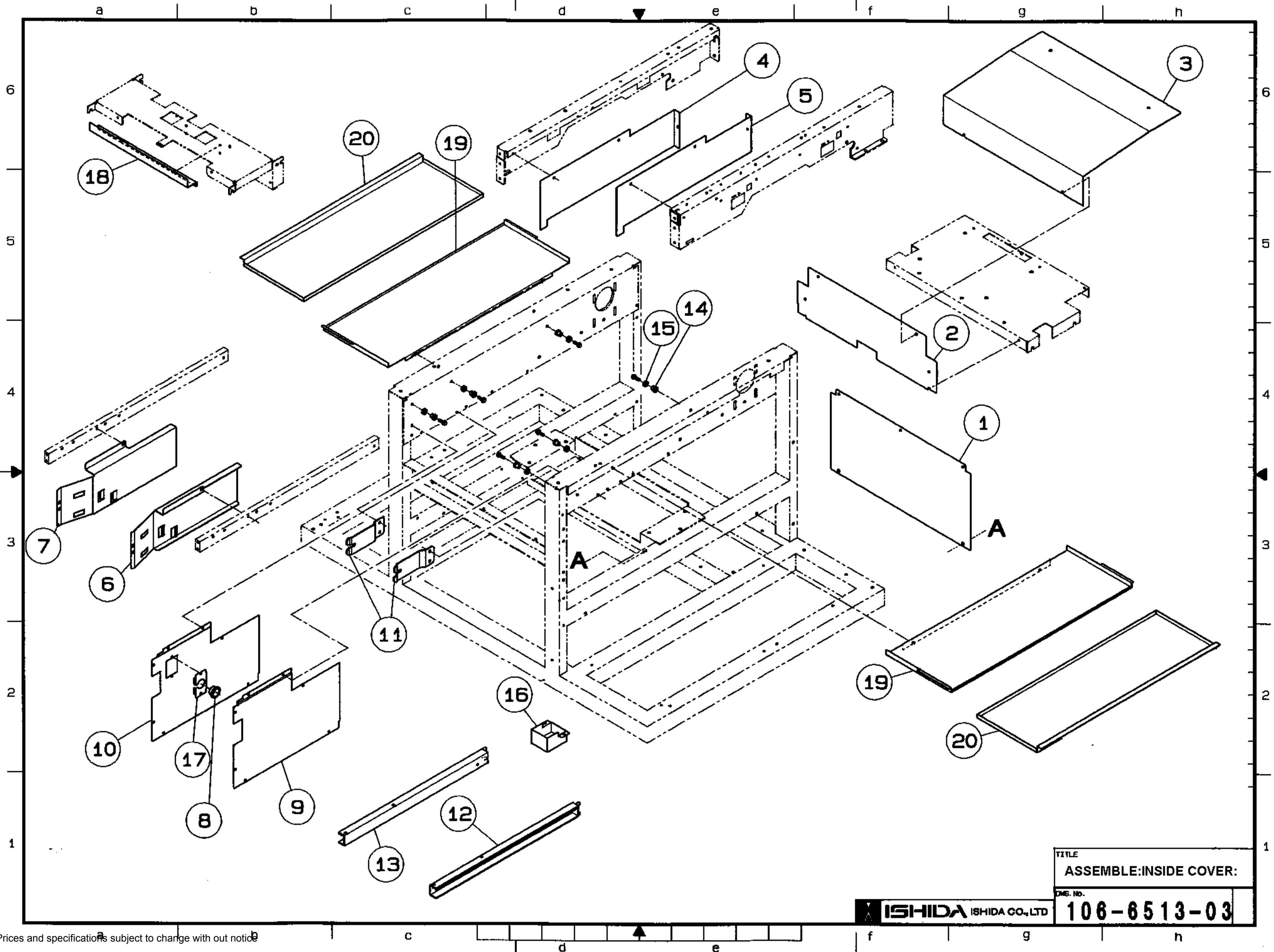
ISHIDA ISHIDA CO., LTD

c

d

MODEL :INSIDE COVER UNIT:
 PART: 108-0446-00
 Refer to DWG № : 106-6513-03

ITEM	PART CODE	DESCRIPTION(NOTE)	QTY	RLWS List	REMARKS
1	103-3825-21	COVER:LIFT:LOWER	1	\$49.00	
2	108-0347-13	COVER:LIFT:	1	\$49.00	
3	103-3873-20	COVER:LIFT:REAR	1	\$95.00	
4	108-0312-13	COVER:WRAPPING:SIDE L	1	\$52.00	
5	108-0339-04	COVER:WRAPPING:SIDE R	1	\$100.00	
6	103-3810-07	GUIDE:TRAY:	1	\$175.00	
7	103-3811-01	GUIDE:TRAY:	1	\$175.00	
8	003-3135-02	ACCESSORY:BUSH:OPEN LOCK	1	\$2.00	
9	108-8023-07	COVER:INSIDE:R	1	\$71.00	
10	108-8024-01	COVER:INSIDE:L	1	\$71.00	
11	103-3781-11	HOLDER:CONVEYOR:	2	\$77.00	
12	098-8283-07	RAIL:CONVEYOR:	1	\$85.00	
13	098-8284-01	RAIL:CONVEYOR:	1	\$85.00	
14	84793 101-1634-06	COLLAR::	6	\$25.00	
15	84792 051-4933-02	BEARING:RADIAL:DEEP GROOVE	6	\$12.00	
16	076-9946-03	COVER:CONNECTOR:	1	\$36.00	
17	091-8513-02	BRACKET:CONNECTOR:SCALE	1	\$28.00	
18	106-6507-29	COVER:HARNESS:	1	\$39.00	
19	108-0357-11	COVER:PS:UPPER	2	\$61.00	
20	103-4000-10	SKIMMER::	2	\$75.00	



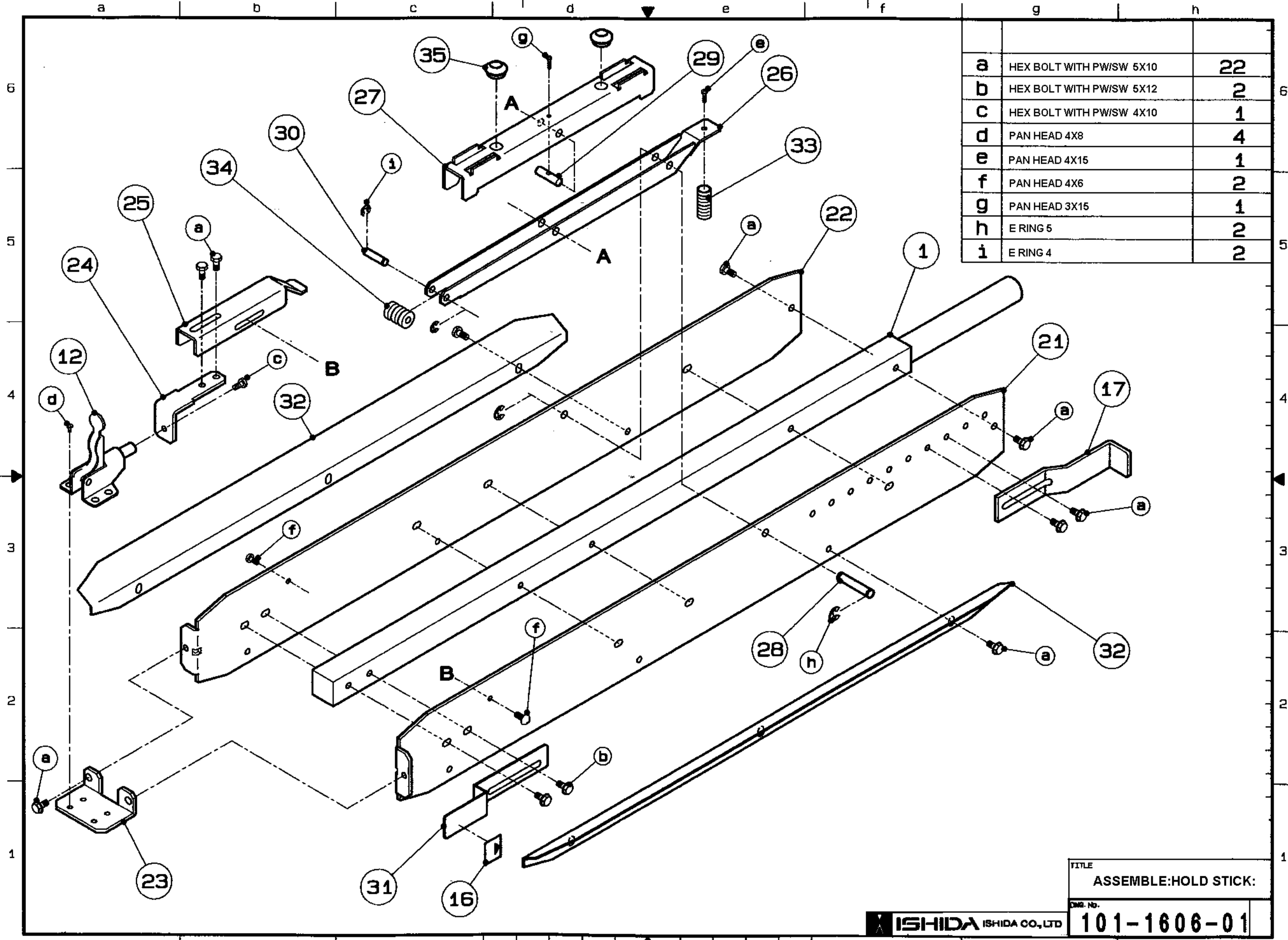
TITLE
ASSEMBLE:INSIDE COVER:

DWG. No.
106-6513-03

ISHIDA ISHIDA CO., LTD

MODEL :FILM ROLL HOLDER
PART: 108-0437-06
Refer to DWG № : 101-1606-01

ITEM	PART CODE	DESCRIPTION(NOTE)	QTY	RLWS List	REMARKS
1	103-3827-19	SHAFT:ROLLER:FILM	1	\$406.00	
12	112309 012-8574-04	CLAMP:TOGGLE:	1	\$61.00	
16	059-8524-05	NAME PLATE:EXPLANATION:	1	\$8.00	
17	101-1548-09	STOPPER:FILM:SET	1	\$28.00	
21	098-8166-04	FRAME:FILMLOCK:R	1	\$129.00	
22	098-8167-08	FRAME:FILM LOCK:L	1	\$124.00	
23	112310 098-8168-01	BRACKET:CLAMP:	1	\$55.00	
24	112311 098-8169-14	STAY:ACTUATOR:	1	\$68.00	
25	098-8170-19	ACTUATOR:LOCK:	1	\$20.00	
26	098-8171-12	LEVER:LOCK:	1	\$22.00	
27	098-8172-25	LOCK:ROLL:FILM	1	\$16.00	
28	098-8173-01	PIN:FULCRUM:	1	\$23.00	
29	098-8174-04	PIN:LINK:	1	\$19.00	
30	098-8175-08	PIN:BEARING	1	\$23.00	
31	098-8176-01	ADJUSTOR:ROLL:	1	\$49.00	
32	098-8177-05	GUIDE:BALANCE:ROLL	2	\$17.00	
33	020-3785-00	SPRING:COIL:COMPRESSIVE	1	\$8.00	
34	058-1976-02	BEARING:RADIAL:	3	\$13.00	
35	001-0102-04	GROMMET:W/DIAPHRAGM:	2	\$1.00	



	g	h
a	HEX BOLT WITH PW/SW 5X10	22
b	HEX BOLT WITH PW/SW 5X12	2
c	HEX BOLT WITH PW/SW 4X10	1
d	PAN HEAD 4X8	4
e	PAN HEAD 4X15	1
f	PAN HEAD 4X6	2
g	PAN HEAD 3X15	1
h	E RING 5	2
i	E RING 4	2

TITLE
ASSEMBLE:HOLD STICK:

DRG. No.
101-1606-01

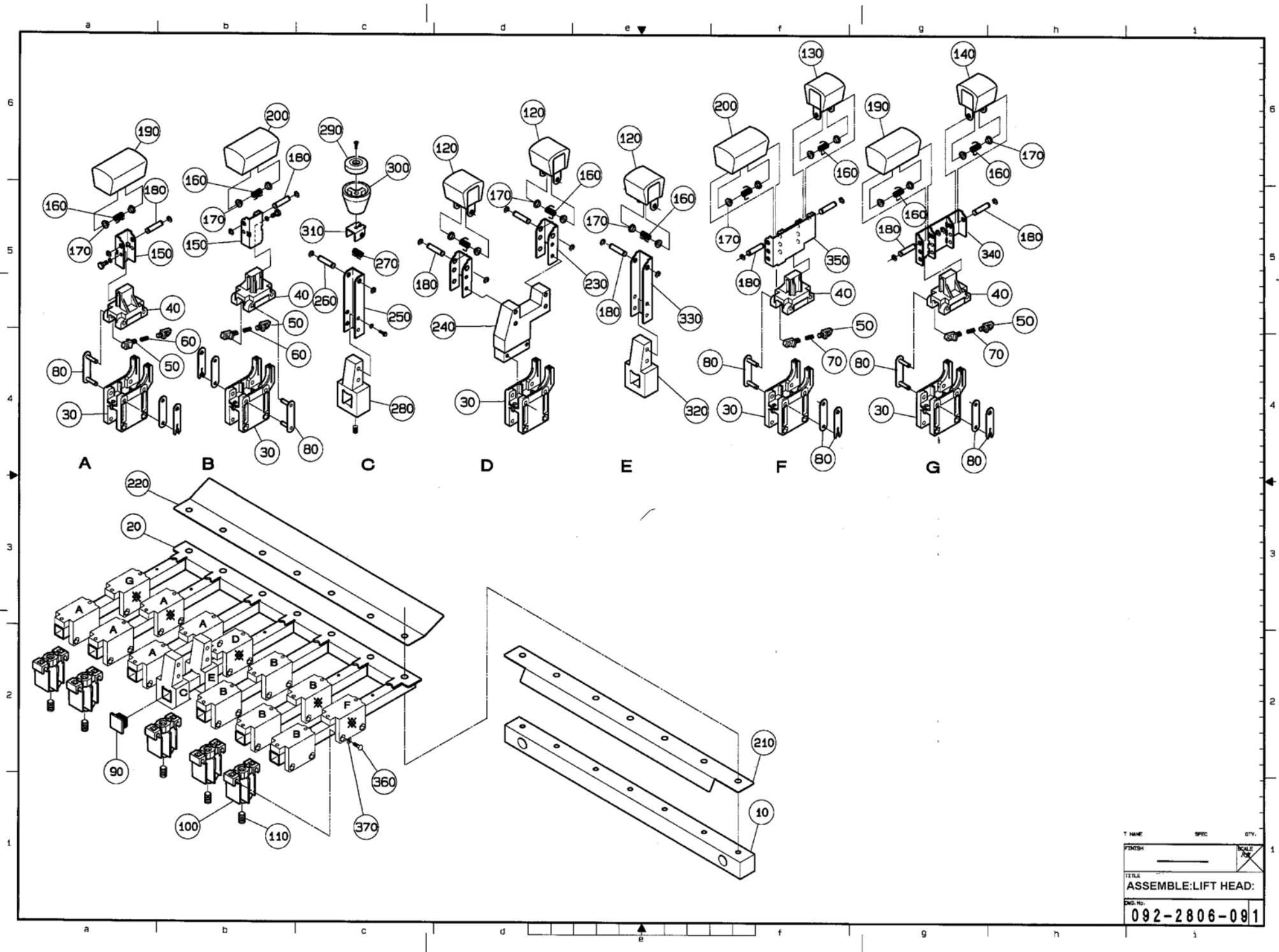
ISHIDA ISHIDA CO.,LTD

MODEL LIFT HEAD UNIT::
PART: 090-2433-09
Refer to DWG № : 092-2806-09-2

ITEM	PART CODE	DESCRIPTION(NOTE)	QTY	RLWS List	REMARKS
10	076-1611-07	BASE:ARM:LIFT	1	\$98.00	
20	93625 076-1608-05	ARM:LIFT:HEAD	1	\$236.00	
30	80835 045-3525-02	BASE:LIFT HEAD:LOWER	13	\$2.00	
40	75797 045-3526-06	BASE:LIFT HEAD:UPPER	12	\$2.00	Recommended (2)
50	74452 003-6479-04	HANGER:SPRING:	24	\$4.00	Recommended (2)
60	74453 043-1811-06	SPRING:COIL:TENSION	10	\$2.00	Recommended (2)
70	74454 076-9936-06	SPRING:COIL:COMPRESSIVE	2	\$17.00	Recommended (1)
80	74455 041-4350-02	CHAIN:JOINT LINK:SUS	24	\$9.00	Recommended (2)
90	045-3856-05	CAP:PIPE:SQ	7	\$2.00	
100	85463 045-3527-19	BLOCK B:LIFT HEAD:SHIFT	5	\$3.00	
110	052-4618-06	SPRING PLUNGERS::	5	\$36.00	
120	73937 091-0792-06	SUPPORTER:HEAD:CENTER	3	\$67.00	
130	73938 092-2754-09	SUPPORTER:HEAD:SIDE	1	\$67.00	
140	73939 092-2755-02	SUPPORTER:HEAD:SIDE	1	\$71.00	
150	045-3705-06	SUPPORT:STOPPER:	10	\$3.00	
160	74456 097-5859-03	SPRING:COIL:	17	\$3.00	Recommended (2)
170	74457 028-1525-09	BUSH::	34	\$2.00	
180	74458 042-4529-18	SHAFT:STOPPER:	17	\$3.00	
190	73935 048-3942-04	SUPPORTER:HEAD:L	6	\$57.00	Recommended (1)
200	73936 048-3941-01	SUPPORTER:HEAD:R	6	\$57.00	
210	076-1610-12	CHUTE:LIFT:LOWER	1	\$26.00	
220	076-1609-09	CHUTE:LIFT:UPPER	1	\$26.00	
230	83910 076-1616-14	SUPPORTER:STOPPER:SHIFT	2	\$36.00	
240	83908 076-1612-10	BASE:LIFT HEAD:UPPER	1	\$88.00	
250	061-7338-24	SUPPORT:STOPPER:	1	\$33.00	
260	50053 014-1756-04	SHAFT::STOPPER	1	\$5.00	

MODEL LIFT HEAD UNIT::
 PART: 090-2433-09
 Refer to DWG № : 092-2806-09-2

ITEM	PART CODE	DESCRIPTION(NOTE)	QTY	RLWS List	REMARKS
270	47572 018-9720-09	SPRING:COIL:	1	\$2.00	
280	85465 051-1034-03	BASE:LIFT HEAD:FIX	1	\$75.00	
290	47588 019-8737-05	STOPPER:LIFT:UPPER	1	\$3.00	
300	47587 019-8736-01	STOPPER:LIFT:LOWER	1	\$3.00	
310	79532 019-8675-17	U PLATE B:STOPPER:	1	\$5.00	
320	85464 063-5426-08	BASE:LIFT HEAD:FIXED	1	\$71.00	
330	063-5427-20	SUPPORTER:STOPPER:FIXED	1	\$31.00	
340	076-9944-06	SUPPORT:STOPPER:	1	\$45.00	
350	076-9945-00	SUPPORT:STOPPER:	1	\$45.00	
360	104010	Screw, Machine M4 x 25, SST		\$1.50	
370	42854	M4 Lock washer, SST		\$1.30	
	42847	M4, Lock nut, SST		\$1.75	Use with PN 104010



T. NAME	SPEC	QTY.
FINISH		SCALE
TITLE		
ASSEMBLY: LIFT HEAD:		
Dwg. No.		
092-2806-091		

MODEL INFEED CONVEYOR UNIT::
 PART: 092-5371-07
 Refer to DWG № : 092-2807-02-1

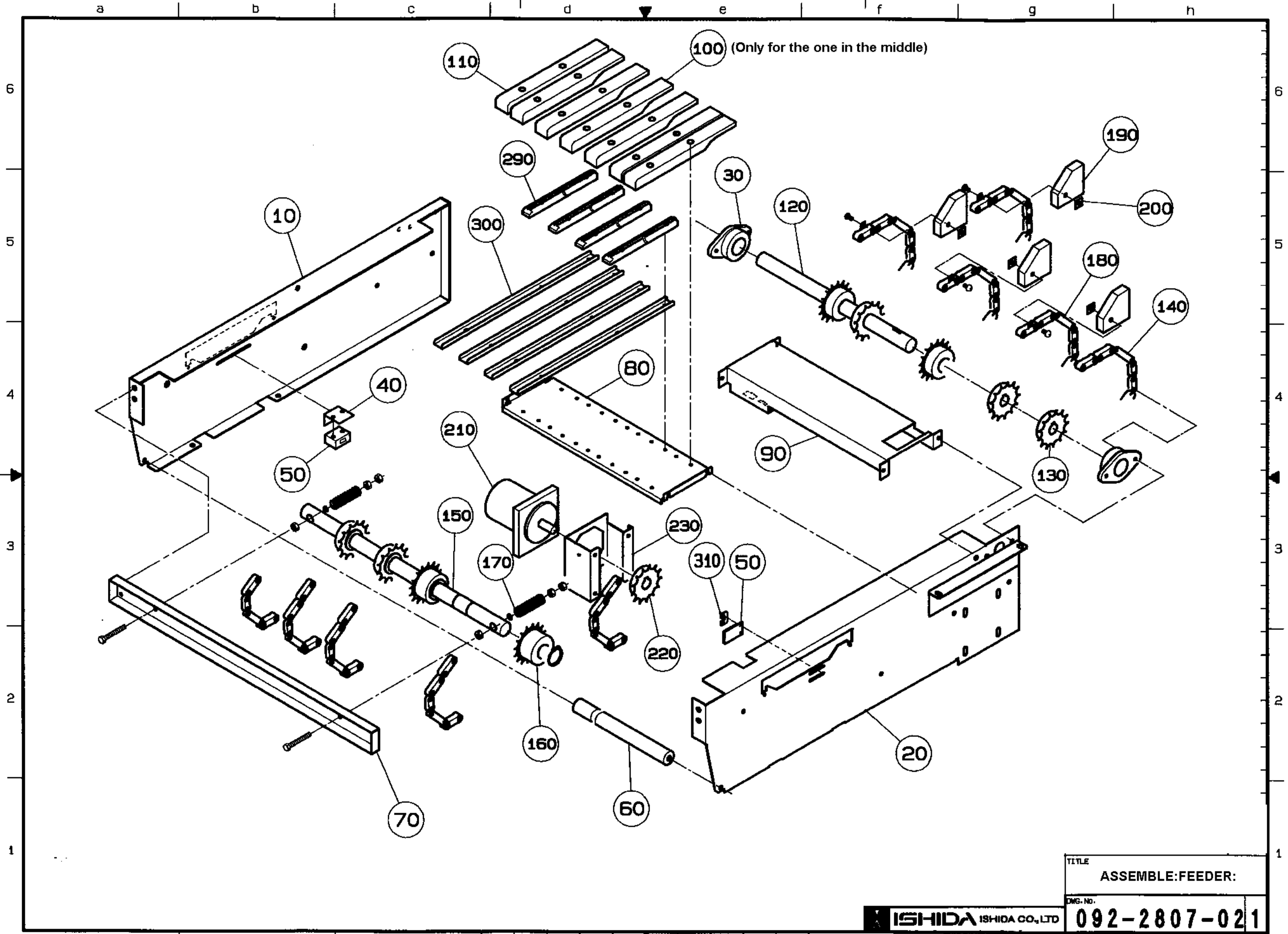
ITEM	PART CODE	DESCRIPTION(NOTE)	QTY	RLWS List	REMARKS
10	091-8752-33	FRAME:CONVEYOR:L	1	\$216.00	
20	091-8751-49	FRAME:CONVEYOR:R	1	\$238.00	
30	52615 001-3917-03	BEARING UNIT:FLANGE:	2	\$36.00	
40	044-5427-10	BRACKET:SENSOR:	1	\$18.00	
50	72891 043-1681-27	SENSOR AS::	1	\$156.00	
60	076-1658-11	THREADED ROD:ROUND:FF	1	\$36.00	
70	076-1668-27	STAY::	1	\$55.00	
80	091-8745-00	BRACKET:RAIL:TRAY	1	\$75.00	
90	076-1660-28	BRACKET:COVER:MOTOR	1	\$61.00	
100	85483 091-8747-16	RAIL:SLIDE:	1	\$116.00	Center, green
110	85484 091-8746-31	RAIL:SLIDE:	6	\$116.00	
120	076-1662-16	SHAFT:DRIVE:	1	\$74.00	
130	076-1663-01	SPROCKET:T35:B	5	\$83.00	
140	85153 049-6112-08	CHAIN:ROLLER:	1	\$35.00	
150	076-1664-13	SHAFT:TENSION:	1	\$52.00	
160	046-2251-06	SPROCKET:35:	4	\$5.00	
170	042-4809-01	SPRING:COIL:COMPRESSIVE	2	\$8.00	
180	78899 092-5231-09	CHAIN:ROLLER:PLASTIC CONVEYOR:	4	\$133.00	CHAIN ONLY
190	74777 046-2253-03	BLOCK B:PAWL:	8	\$3.00	Recommended (2)
200	74815 049-2375-06	PLATE A:JOINT LINK:	8	\$2.00	Recommended (2)
999	74816	SCREW: 3X10 PAN FOR PLATE A		\$2.00	Recommended (2)
210	72892 059-8057-02	MOTOR AS:STEPPING	1	\$218.00	
220	059-8330-00	SPROCKET:35:	1	\$83.00	
230	042-4593-26	BRACKET:MOTOR:CONVEYOR	1	\$36.00	

MODEL INFEED CONVEYOR UNIT::

PART: 092-5371-07

Refer to DWG № : 092-2807-02-1

ITEM	PART CODE	DESCRIPTION(NOTE)	QTY	RLWS List	REMARKS
290	093-1986-00	GUIDE:CHAIN:	4	\$81.00	
300	091-8750-09	GUIDE:RAIL:	4	\$29.00	
310	106-6519-05	NUT PLATE:REFRACOR:	1	\$33.00	

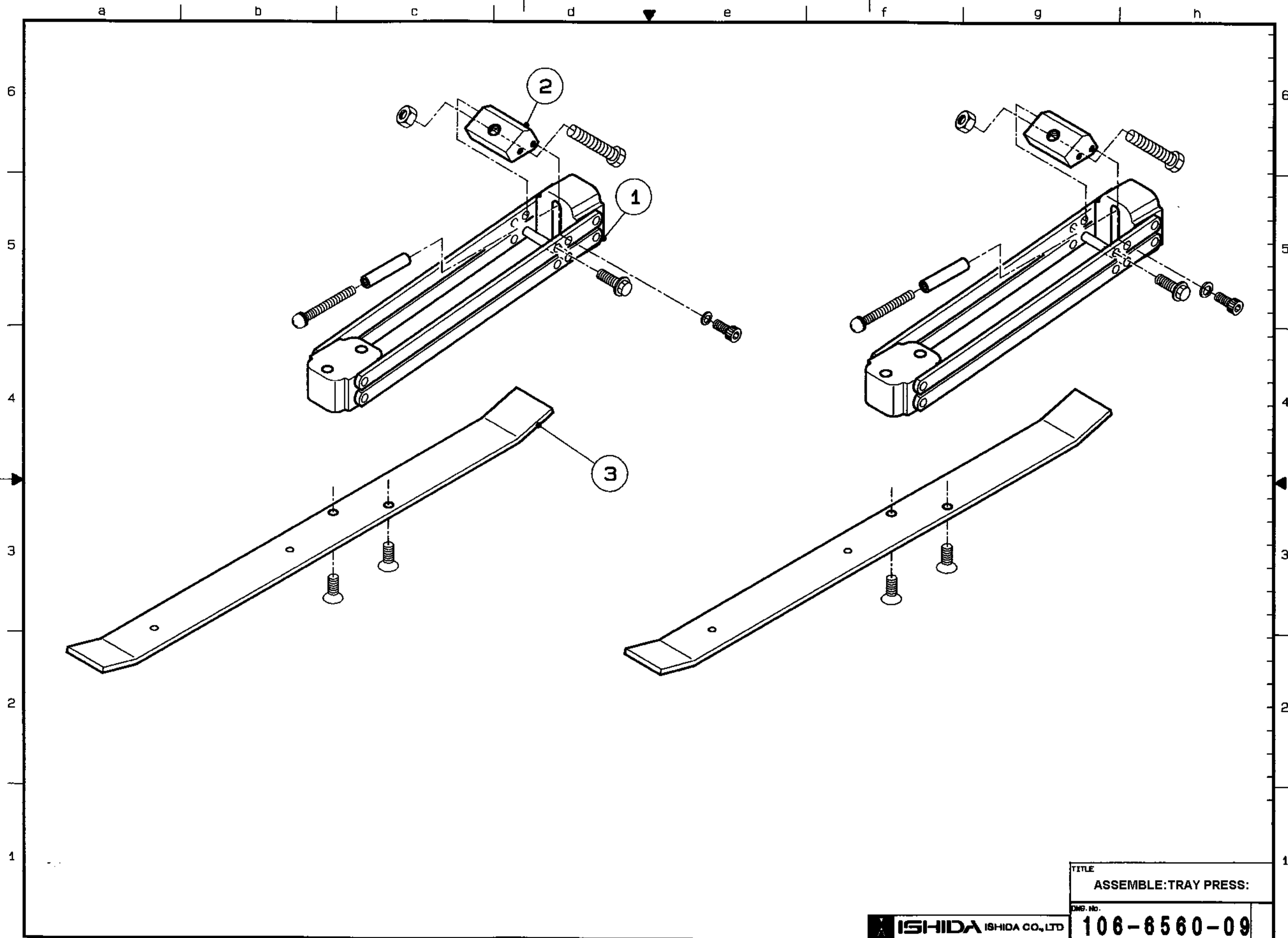


TITLE	ASSEMBLE:FEEDER:
DWG. NO.	092-2807-021

ISHIDA ISHIDA CO., LTD

MODEL TRAY PRESS UNIT::
PART: 108-0436-02
Refer to DWG № : 106-6560-09

ITEM	PART CODE	DESCRIPTION(NOTE)	QTY	RLWS List	REMARKS
1	72893 049-2456-04	LINK AS:	2	\$71.00	
2	094-5279-11	BLOCK B:	2	\$91.00	
3	103-3869-15	PLATE B:TRAY STOPPER:ATL	2	\$68.00	



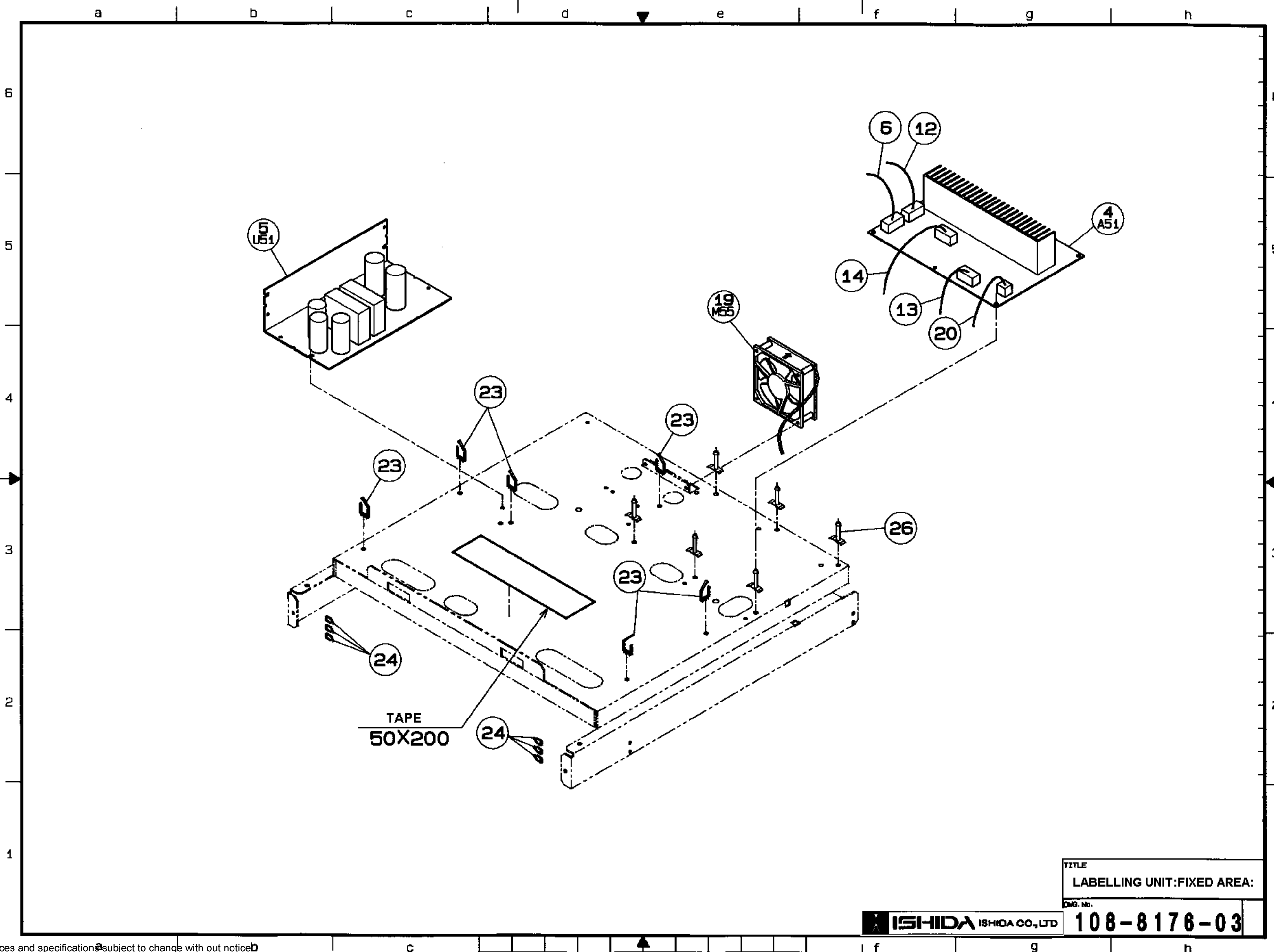
TITLE
ASSEMBLE: TRAY PRESS:

DWG. No.
106-6560-09

ISHIDA ISHIDA CO., LTD

MODEL APPLICATOR UNIT::FIXED
 PART: 108-0493-05
 Refer to DWG № : 108-8176-03

ITEM	PART CODE	DESCRIPTION(NOTE)	QTY	RLWS List	REMARKS
4	104230 093-1702-27	PWB:P-916:C: CONTROL BOARD	1	\$492.00	
5	107740 069-2405-02	POWER SUPPLY:SWITCHING:	1	\$291.00	
6	103-3933-11	HARNESS:C2:PS DC	1	\$15.00	
12	090-5392-01	HARNESS:S2:MOTOR POWER	1	\$9.00	
13	072-8552-25	HARNESS:C3:CONSOLE IF	1	\$11.00	
14	103-3934-23	HARNESS:C5:EXT SIGNAL	1	\$49.00	
19	090-5391-07	FAN AS::	1	\$61.00	
20	072-2104-28	HARNESS:C2:EARTH	1	\$2.00	
23	073-7214-01	ACCESSORY:CLAMP:LWS CLAMP	7	\$1.00	
24	073-7212-04	ACCESSORY:CLAMP:LWS CLAMP	6	\$1.00	
26	47027 000-1796-05	PWB ACCESSORY:CARD SPACER:	6	\$1.00	



TITLE
 LABELLING UNIT:FIXED AREA:

DRG. No. **108-8176-03**

ISHIDA ISHIDA CO., LTD

MODEL APPLICATOR UNIT:MOVE:
PART: 108-8031-07
Refer to DWG № : 106-6584-08

ITEM	PART CODE	DESCRIPTION(NOTE)	QTY	RLWS List	REMARKS
1	103224 103-3787-13	CUSHION:APPLICATOR:	1	\$154.00	
2	078-0763-29	COVER:ARM:HARNESS	1	\$5.00	
3	103-3872-17	BRACKET:FAN:	1	\$74.00	
4	078-0786-15	SHAFT:JOINT:	4	\$4.00	
5	068-5127-10	SPRING:COIL:COMPRESSIVE	2	\$4.00	
6	078-0638-17	MASKING PLATE:Z:LOWER	1	\$5.00	
7	077-4983-29	BLOCK B:SLIDE:APPLICATOR	1	\$4.00	
8	078-0787-46	BRACKET:ARM:	1	\$65.00	
9	078-0639-11	THREADED ROD:ROUND:FF	2	\$7.00	
10	075-1084-07	SPRING:COIL:COMPRESSIVE	2	\$4.00	
11	095-4278-01	COVER:APPLICATOR:Z	1	\$23.00	
12	078-0753-12	BRACKET:SENSOR:	1	\$25.00	
13	103223 066-1916-03	SHEET::	1	\$5.00	
14	057-0387-08	BEARING:RADIAL:DEEP GROOVE	2	\$27.00	
15	059-8296-42	TIMING PULLEY:XL:	1	\$26.00	
16	059-8460-10	TIMING PULLEY:XL:	1	\$17.00	
17	078-0759-05	TIMING BELT:XL:	1	\$6.00	
18	077-4777-19	BRACKET:ROTATION:LOWER	1	\$39.00	
19	078-0635-16	SPACER:FAN	1	\$1.00	
20	077-4778-21	BRACKET:ROTATION:UPPER	1	\$23.00	
21	090-5278-09	BEARING UNIT:LINEAR:ROLLING	1	\$323.00	
22	077-4982-07	BLOCK B:HOLDER:Z	1	\$11.00	
23	075-1082-00	SHAFT:SLIDE:	1	\$25.00	
24	48206 028-1516-05	BEARING:LINEAR BUSH:	1	\$29.00	
25	077-4780-39	HOLDER:BELT:	1	\$8.00	
26	078-0631-11	L PLATE B:SENSOR:Z	1	\$7.00	

MODEL APPLICATOR UNIT:MOVE:
PART: 108-8031-07
Refer to DWG № : 106-6584-08

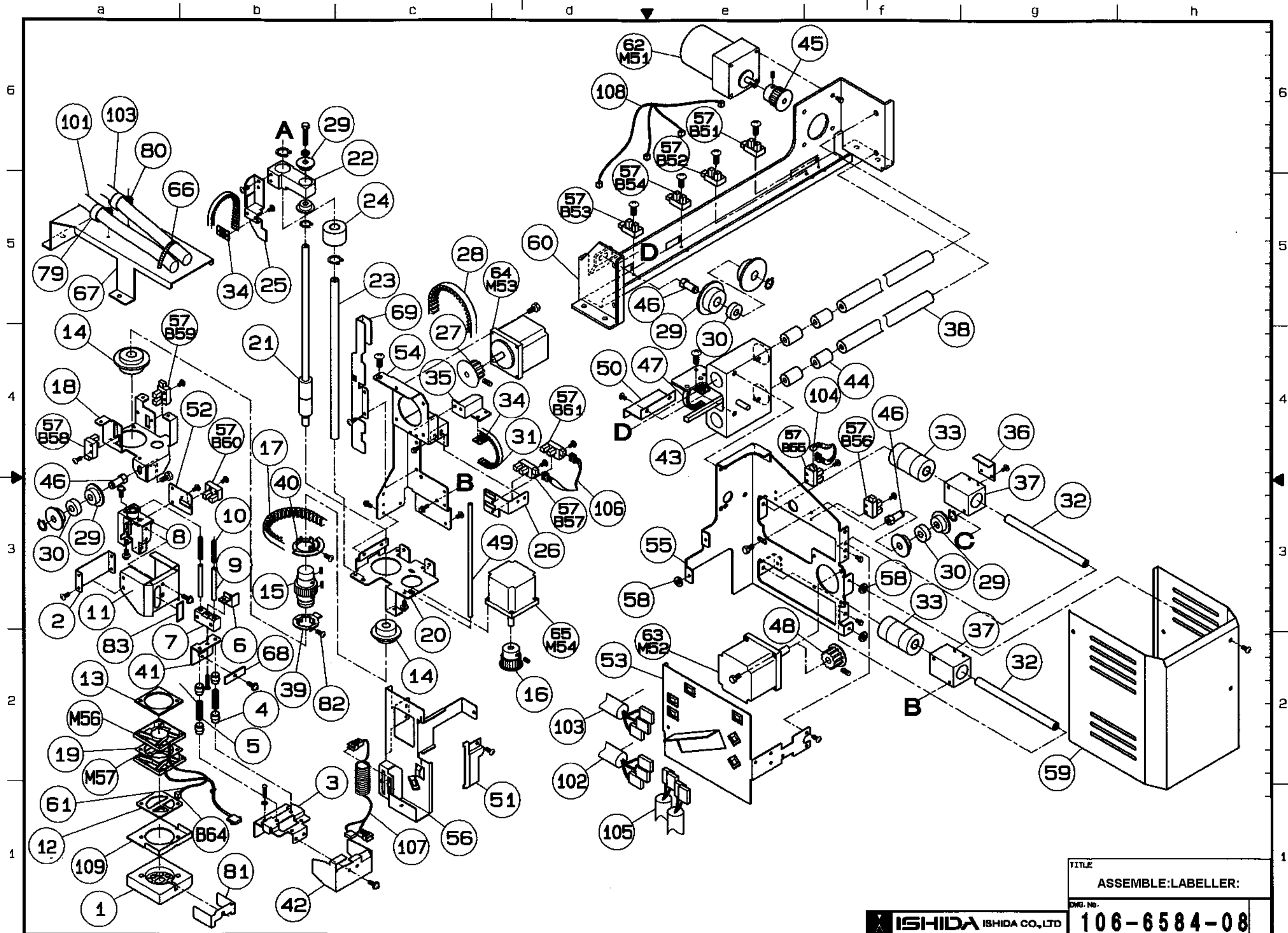
ITEM	PART CODE	DESCRIPTION(NOTE)	QTY	RLWS List	REMARKS
27	45229 041 1527-03	TIMING PULLEY:XL:AF	1	\$11.00	
28	030-8488-01	TIMING BELT:XL:	1	\$11.00	
29	094-2650-00	BEARING:RADIAL:DEEP GROOVE	8	\$4.00	
30	000-3622-08	BEARING:RADIAL:	3	\$12.00	
31	021-3286-05	TIMING BELT:XL:	1	\$12.00	
32	077-4775-30	SHAFT:SLIDE:	2	\$21.00	
33	069-4928-01	BEARING:LINEAR BUSH:	2	\$33.00	
34	068-5090-25	HOLDER:BELT:	3	\$2.00	
35	078-0756-13	HOLDER:BELT:Y	1	\$9.00	
36	077-4779-16	L PLATE A:DETECT PLATE:Y	1	\$6.00	
37	077-4981-03	HOUSING:LINEAR:Y	2	\$36.00	
38	077-4773-14	SHAFT:LINEAR:	2	\$39.00	
39	078-0632-15	DETECT PLATE:ROTATION:LOWE	1	\$4.00	
40	078-0633-19	DETECT PLATE:ROTATION:UPPE	1	\$4.00	
41	078-0764-22	L PLATE B:STOPPER:	1	\$5.00	
42	103-3871-13	COVER:APPLICATOR:Z	1	\$95.00	
43	077-4984-04	HOUSING:LINEAR:X	1	\$30.00	
44	069-4929-04	BEARING:LINEAR BUSH:	4	\$21.00	
45	076-1831-00	TIMING PULLEY:XL:BF	1	\$20.00	
46	078-0629-13	SHAFT:BEARING:	3	\$8.00	
47	078-0765-08	TIMING BELT:XL:	1	\$10.00	
48	077-4980-19	TIMING PULLEY:XL:AF	1	\$10.00	
49	077-4774-09	THREADED ROD:ROUND:FF	1	\$7.00	
50	078-0634-12	CRANK PLATE A:BUFFLE PLATE:	1	\$9.00	
51	078-0640-15	COVER:HARNESS:	1	\$17.00	
52	078-0630-18	PLATE B:SENSOR:	1	\$5.00	

MODEL APPLICATOR UNIT:MOVE:
PART: 108-8031-07
Refer to DWG № : 106-6584-08

ITEM	PART CODE	DESCRIPTION(NOTE)	QTY	RLWS List	REMARKS
53	078-0641-19	COVER:HARNESS:	1	\$23.00	
54	078-0642-31	BRACKET:APPLICATOR:Y	1	\$36.00	
55	078-0809-44	BRACKET:APPLICATOR:X	1	\$58.00	
56	078-0643-25	COVER:HARNESS:Y	1	\$31.00	
57	104239 070-5204-14	PHOTO INTERRUPTOR:TRANS:	11	\$9.00	
58	075-1075-12	SHEET::	4	\$4.00	
59	078-0755-56	COVER:APPLICATOR:	1	\$42.00	
60	077-4993-35	BRACKET:APPLICATOR:X	1	\$58.00	
61	094-0414-28 103221	FAN AS:SUCTION:	1	\$136.00	Includes fans M56, M57 and Sensor B64
62	079-3002-08	MOTOR AS:STEPPING:X	1	\$180.00	
63	079-3003-11	MOTOR AS:STEPPING:Y	1	\$71.00	
64	077-0000-14	MOTOR AS:STEPPING:Z	1	\$85.00	
65	079-3001-04	MOTOR AS:STEPPING:ROTATION	1	\$61.00	
66	000-1842-03	ACCESSORY:BAND:FASTENER	12	\$2.00	
67	077-4776-06	BRACKET:WIRING:APPLICATOR	1	\$17.00	
68	075-1077-01	INSULATOR::	1	\$4.00	
69	078-0808-41	COVER:HARNESS:	1	\$11.00	
79	022-7032-08	ACCESSORY:CLAMP:NYLON CLA	1	\$1.00	
80	034-0238-06	ACCESSORY:CLAMP:NYLON CLA	1	\$1.00	
81	091-2126-02	TAPE:SPONGE:SIDE	1	\$10.00	
82	091-2374-00	SCREW:PLUS BIND:P3	4	\$1.00	
83	095-4440-09	TAPE:MAGIC:	1	\$5.00	
101	079-3007-24	HARNESS:C6:MOTOR WORK X	1	\$85.00	
102	079-3008-28	HARNESS:C4:MOTOR WORK Y	1	\$70.00	
103	079-3009-21	HARNESS:C8:SENSOR WORK X	1	\$77.00	
104	079-3006-11	HARNESS:C3:SENSOR Y	1	\$10.00	

MODEL APPLICATOR UNIT:MOVE:
PART: 108-8031-07
Refer to DWG № : 106-6584-08

ITEM	PART CODE	DESCRIPTION(NOTE)	QTY	RLWS List	REMARKS
105	079-3010-26	HARNESS:C4:SENSOR WORK Y	1	\$68.00	
106	079-3004-23	HARNESS:C5:SENSOR Z ROTATIO	1	\$16.00	
107	079-1443-28	HARNESS::C3:SENSOR WORK Z	1	\$55.00	
108	079-3005-18	HARNESS:C6:SENSOR X	1	\$20.00	
109	103-3870-10	BRACKET:FAN:	1	\$61.00	



TITLE
ASSEMBLE:LABELLER:

DRG. No.
106-6584-08

ISHIDA ISHIDA CO.,LTD

MODEL UPPER COVER UNIT::
PART: 108-0455-03
Refer to DWG № : 106-6561-02

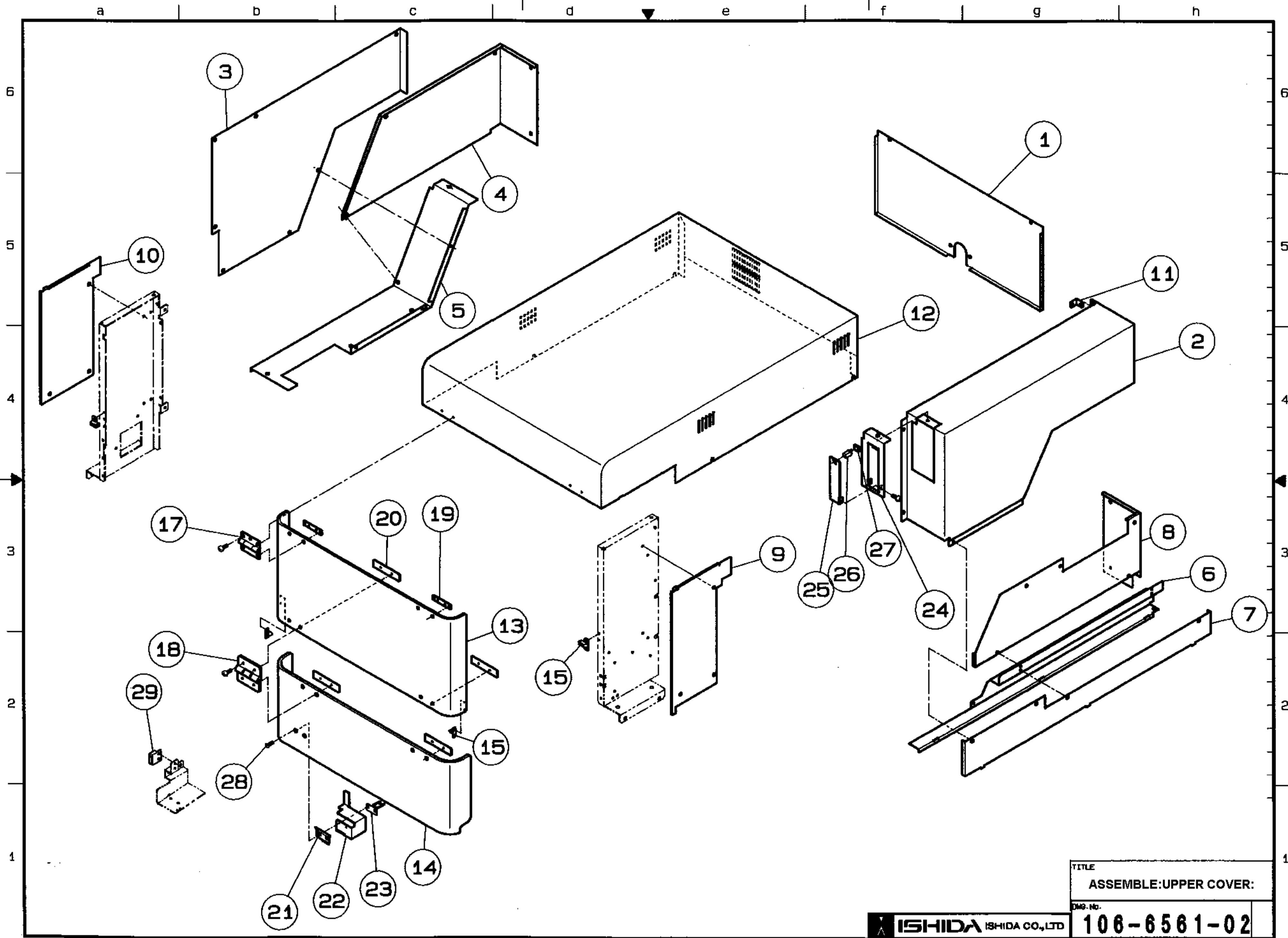
ITEM	PART CODE	DESCRIPTION(NOTE)	QTY	RLWS List	REMARKS
1	106-6523-10	COVER:TOWER:REAR	1	\$131.00	
2	106-6527-14	COVER:CONSOLE:R	1	\$364.00	
3	106-6528-18	COVER:TOWER:L	1	\$134.00	
4	106-6525-26	COVER:SIDE:WRAPPING	1	\$70.00	
5	108-0309-11	COVER:WRAPPING L:	1	\$81.00	
6	108-0311-10	COVER:WRAPPING R:	1	\$77.00	
7	108-0355-13	COVER:DISTRIBUTION:	1	\$52.00	
8	108-0310-07	COVER:ARM R:	1	\$197.00	
9	108-0289-01	COVER:APPLICATOR:SIDE R	1	\$131.00	
10	108-0290-15	COVER:APPLICATOR:SIDE L	1	\$61.00	
11	108-0397-01	L PLATE A:COVER:	1	\$49.00	
12	078-0916-40	COVER:APPLICATOR:UPPER	1	\$227.00	
13	078-0914-24	DOOR:FRONT:UPPER	1	\$108.00	
14	106-6530-16	DOOR:FRONT:LOWER	1	\$180.00	
15	070-5322-01	CATCH::PRA CATCH	2	\$1.00	
16	004-3991-01	GROMMET:W/DIAPHRAGM:	2	\$2.00	
17	079-1231-07	HINGE:ADJUSTER:	2	\$28.00	
18	070-5323-05	HINGE::ADJUST	2	\$42.00	
19	078-0915-28	PLATE A:GUIDE:DOOR	2	\$5.00	
20	073-7042-17	PLATE A:GUIDE:DOOR	4	\$4.00	
21	070-1332-22	SPRING:KEY:DOOR	1	\$24.00	
22	070-1331-47	BRACKET:KEY:DOOR	1	\$12.00	
23	072-5960-02	SWITCH:ACTUATOR:L TYPE	1	\$6.00	
24	078-0926-10	COVER:CONSOLE:FRONT	1	\$16.00	

MODEL UPPER COVER UNIT::

PART: 108-0455-03

Refer to DWG № : 106-6561-02

ITEM	PART CODE	DESCRIPTION(NOTE)	QTY	RLWS List	REMARKS
25	078-0927-04	DOOR:PC CARD:	1	\$24.00	
26	070-1254-07	CATCH:MINI RATCH:	1	\$5.00	
27	091-2122-08	SPACER::	1	\$1.00	
28	076-1839-09	SCREW:CROSS FLAT:	2	\$1.00	
29	072-8605-01	CATCH:MAGNET:	1	\$4.00	



TITLE
ASSEMBLE:UPPER COVER:

DRG. No.
106-6561-02

ISHIDA ISHIDA CO.,LTD

MODEL LOWER COVER UNIT::
 PART: 108-0454-00
 Refer to DWG № : 106-6562-06

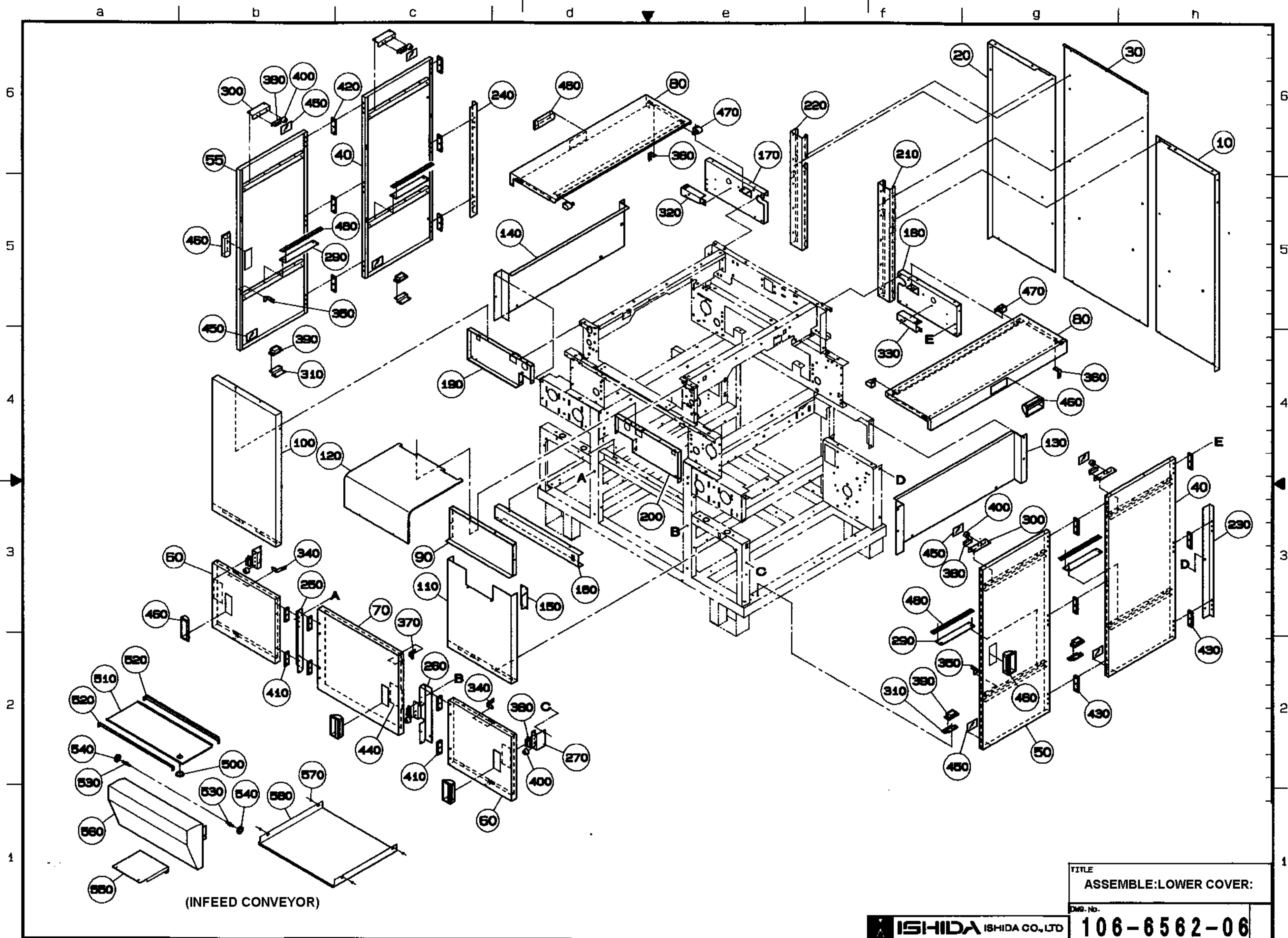
ITEM	PART CODE	DESCRIPTION(NOTE)	QTY	RLWS List	REMARKS
10	106-6591-22	COVER:REAR:SIDE	1	\$142.00	
20	106-6592-26	COVER:REAR:SIDE	1	\$142.00	
30	106-6607-28	COVER:REAR:CENTER	1	\$170.00	
40	106-6587-27	COVER:DOOR:SIDE B	2	\$270.00	
50	106-6571-37	COVER:DOOR:SIDE F	1	\$270.00	
55	108-8105-09	COVER:DOOR:SIDE F	1	\$270.00	
60	106-6581-25	DOOR:FILM:	2	\$126.00	
70	106-6576-26	DOOR:MAIN BODY:CENTER	1	\$165.00	
80	106-6596-21	COVER:FILM:SET	2	\$208.00	
90	106-6516-13	COVER:HEATER:DISCHARGE	1	\$159.00	
100	106-6579-18	COVER:FRONT:SIDE	1	\$340.00	
110	106-6518-11	COVER:HEATER:LOWER	1	\$257.00	
120	106-6517-17	COVER:HEATER:SAFETY	1	\$188.00	
130	103-3828-21	COVER:POWERSUPPLY:	1	\$80.00	
140	108-0352-12	COVER:POWERSUPPLY:	1	\$80.00	
150	108-0343-19	COVER:CHAIN:	1	\$52.00	
160	108-0341-02	COVER:WIRING:	1	\$52.00	
170	103-3890-23	FRAME:SWITCH:SAFETY	1	\$162.00	
180	103-3889-29	FRAME:SWITCH:SAFETY	1	\$162.00	
190	106-6537-11	FRAME:WRAPPING:SUB	1	\$203.00	
200	106-6538-15	FRAME:WRAPPING:SUB	1	\$203.00	
210	103-3885-15	DUCT:HARNESS:	1	\$118.00	
220	103-3884-11	DUCT:HARNESS:	1	\$118.00	
230	108-8014-03	STAY:DOOR:SIDE	1	\$108.00	

MODEL LOWER COVER UNIT::
PART: 108-0454-00
Refer to DWG № : 106-6562-06

ITEM	PART CODE	DESCRIPTION(NOTE)	QTY	RLWS List	REMARKS
240	108-8015-07	STAY:DOOR:SIDE	1	\$108.00	
250	106-6577-20	BRACKET:DOOR:FRONT	1	\$98.00	
260	106-6594-23	BRACKET:CATCH:CENTER	1	\$108.00	
270	106-6593-11	BRACKET:CATCH:FRONT	2	\$58.00	
290	106-6603-14	PLATE B:BRUSH:	4	\$49.00	
300	108-0392-02	L PLATE A:CATCH:	4	\$52.00	
310	108-0393-06	BRACKET:CATCH:	4	\$49.00	
320	108-8002-09	BRACKET:SWITCH:SAFETY	1	\$83.00	
330	108-8003-02	BRACKET:SWITCH:SAFETY	1	\$83.00	
340	106-6598-19	ACTUATOR:SAFETY:FRONT	2	\$49.00	
350	106-6599-12	ACTUATOR:SAFETY:SIDE	2	\$49.00	
360	108-0359-09	ACTUATOR:SAFETY:FILM	2	\$49.00	
370	108-0360-03	ACTUATOR:SAFETY:CENTER	1	\$49.00	
380	043-1646-08	CATCH:MAGNET:	7	\$10.00	
390	079-1224-01	CATCH:MAGNET:	4	\$12.00	
400	000-3962-04	RUBBER PAD::	7	\$1.00	
410	019-2264-09	HINGE::	6	\$9.00	
420	108-0349-01	HINGE::R	6	\$7.00	
430	108-0350-06	HINGE::L	6	\$7.00	
440	043-1501-20	PLATE:MAGNET:	3	\$7.00	
450	092-2752-01	PLATE:MAGNET:	8	\$5.00	
460	106-6600-04	LUG::	7	\$5.00	
470	047-0823-06	BUSH:TORQUE:	4	\$32.00	
480	89132 091-2491-02	BRASH:STATIC:	4	\$35.00	9.5" Long

MODEL LOWER COVER UNIT::
 PART: 108-0454-00
 Refer to DWG № : 106-6562-06

ITEM	PART CODE	DESCRIPTION(NOTE)	QTY	RLWS List	REMARKS
490	003-3135-02	ACCESSORY:BUSH:OPEN LOCK	2	\$2.00	
500	016-3545-07	CAP:WINDOW:	1	\$3.00	
510	076-1675-23	COVER:WEIGH:	1	\$49.00	
520	076-1676-18	BRACKET:RAIL:COVER	2	\$36.00	
530	072-2229-01	THREADED ROD:ROUND:MM	2	\$17.00	
540	47159 000-1543-00	KNOB::	2	\$4.00	
550	093-1965-01	BRACKET:CONVEYOR:	1	\$67.00	
560	076-1665-35	COVER:CONVEYOR:	1	\$180.00	
570	076-9554-16	COLLAR:LIFT HEAD	4	\$2.00	
580	108-8106-02	COVER:FEED:LOWER	1	\$116.00	



(INFEED CONVEYOR)

TITLE
ASSEMBLY: LOWER COVER:

DWG. No.
106-6562-06

ISHIDA ISHIDA CO., LTD

MODEL PRINTER UNIT: NO.1
PART: 108-8032-01
Refer to DWG № : 108-8110-08

ITEM	PART CODE	DESCRIPTION(NOTE)	QTY	RLWS List	REMARKS
1	091-8678-03	SHAFT:STEP TYPE:	3	\$9.00	
2	079-8591-03	ROLLER:LABEL:HOLD AS	24	\$2.00	
4	106-6651-13	FRAME:HOLD:LONG	1	\$80.00	
5	091-8682-18	COLLAR::	6	\$3.00	
6	077-4891-20	COLLAR::	27	\$4.00	
7	078-0812-19	FRAME:HOLD:	1	\$8.00	
8	070-9860-21	SHAFT:STOCK:	1	\$7.00	
9	078-0813-03	BRACKET:SENSOR:R	1	\$4.00	
10	078-0816-04	BRACKET:SENSOR:L	1	\$2.00	
11	044-3821-17	SHAFT:ROLLER:ASSIST	2	\$6.00	
12	060-8956-04	ROLLER:ASSIST:	1	\$30.00	
13	072-5075-06	PLATE A:HOLDER:	1	\$4.00	
14	078-0818-01	BRACKET:ASSIST:	2	\$3.00	
15	059-4384-06	COLLAR::SPACER	8	\$1.00	
16	072-8615-17	SPRING:COIL:COMPRESSIVE	4	\$4.00	
17	078-0819-05	SHAFT:ASSIST:	1	\$9.00	
18	078-0820-19	BRACKET:ASSIST:UPPER	1	\$5.00	
19	078-0821-12	SPRING:COIL:	1	\$4.00	
20	078-0822-07	L PLATE A::	1	\$1.00	
21	078-0823-01	L PLATE A:PRESS:	1	\$2.00	
22	027-6196-08	COLLAR::SPACER	1	\$1.00	
23	072-5278-14	SPRING:COIL:COMPRESSIVE	4	\$4.00	
24	069-4967-06	ROLLER:ASSIST:	1	\$15.00	
25	075-5774-08	SPRING:PLATE:	1	\$9.00	
26	075-5709-05	GUIDE:PRINTER:CASSETTE	1	\$9.00	
27	011-0853-07	ROLLER:POLE	1	\$5.00	

MODEL PRINTER UNIT: NO.1
 PART: 108-8032-01
 Refer to DWG № : 108-8110-08

ITEM	PART CODE	DESCRIPTION(NOTE)	QTY	RLWS List	REMARKS
28	076-7629-05	COLLAR:STEP:	1	\$11.00	
29	078-0824-04	SHAFT:GUIDE:LABEL	1	\$8.00	
30	078-0987-17	GUIDE:LABEL:	1	\$5.00	
31	068-5048-46	GUIDE:LABEL:	2	\$6.00	
32	005-4287-03	COLLAR::SPACER	2	\$1.00	
33	078-0825-08	SHAFT:LABEL:	2	\$6.00	
34	078-0991-03	ROLLER:GUIDE:	1	\$3.00	
35	078-0826-11	BRACKET:GUIDE:LABEL	1	\$5.00	
36	076-1780-03	GEAR:FLAT:	1	\$6.00	
37	092-8406-04	MOTOR AS:STEPPING:	1	\$67.00	
38	078-0827-23	BRACKET:MOTOR:	1	\$17.00	
39	072-5467-21	MOTOR AS:REEL:	1	\$80.00	
40	047-0630-04	GEAR:FLAT:	1	\$7.00	
41	078-0828-09	PLATE A:MOTOR:DC	1	\$1.00	
42	076-7658-03	RAIL:SLIDE:	2	\$33.00	
43	079-1224-01	CATCH:MAGNET:	1	\$12.00	
44	079-8952-04	COLLAR:LABEL:	4	\$1.00	
45	090-5240-17	BRACKET:PLATEN:R	1	\$23.00	
46	073-7220-04	TIMING PULLEY:S3M:C	2	\$18.00	
47	068-5306-01	TIMING BELT:S3M:	1	\$10.00	
48	075-1288-00	ROLLER:PRINT:	2	\$18.00	
49	078-0830-43	COVER:BELT:	1	\$5.00	
50	090-5345-05	SHAFT:PEEL:	1	\$13.00	
51	078-0831-10	SHAFT:IDLER:	1	\$7.00	
52	078-0832-04	BRACKET:PLATEN L:AS	1	\$33.00	
53	070-9862-38	SHAFT:STOCK:	1	\$7.00	

MODEL PRINTER UNIT: NO.1
PART: 108-8032-01
Refer to DWG № : 108-8110-08

ITEM	PART CODE	DESCRIPTION(NOTE)	QTY	RLWS List	REMARKS
54	076-1778-05	GEAR:FLAT:	1	\$17.00	
55	064-0201-24	BUSH::	4	\$4.00	
56	075-1324-01	BUSH::	1	\$4.00	
57	075-1325-04	BUSH	1	\$4.00	
58	075-1321-00	BUSH:	1	\$4.00	
59	065-6920-00	BEARING:RADIAL:	2	\$3.00	
60	079-1006-51	FRAME:PRINTER:	1	\$131.00	
61	072-5283-04	REEL UNIT AS::	1	\$77.00	Misc parts same as SR-2000a
62	048-3935-08	LUG::	1	\$8.00	
63	078-0837-21	COVER:FRONT:	1	\$5.00	
64	079-1005-20	SPRING:COIL:COMPRESSIVE	1	\$4.00	
65	013-9941-09	HINGE::	1	\$20.00	
66	078-0997-23	BRACKET AS:PRINTER	1	\$21.00	
67	078-0996-20	BRACKET:PRINTER:THERMAL	1	\$16.00	
68	078-0994-04	L PLATE A:SPRING:SUPPORT	1	\$3.00	
69	078-0993-29	STAY:HEAD:THERMAL	1	\$2.00	
70	078-0992-16	PLATE B:PRESS::HEAD	1	\$5.00	
71	078-0836-09	BRACKET:SWITCH:HEAD	1	\$3.00	
72	078-0986-04	GUIDE:PRINTER:LOWER	1	\$6.00	
73	091-2164-04	CRANK PLATE A:SPRING:	1	\$2.00	
74	076-1951-03	L PLATE:PRINTER:LOWER	1	\$1.00	
75	078-0839-28	FRAME:PRINTER:R	1	\$111.00	
76	078-0843-32	FRAME:PRINTER:L	1	\$147.00	
81	079-1226-17	BRACKET:PRINTER:SENSOR	1	\$3.00	
82	072-5079-29	SHAFT::	1	\$4.00	
83	079-1227-01	SPRING:PLATE:	1	\$8.00	

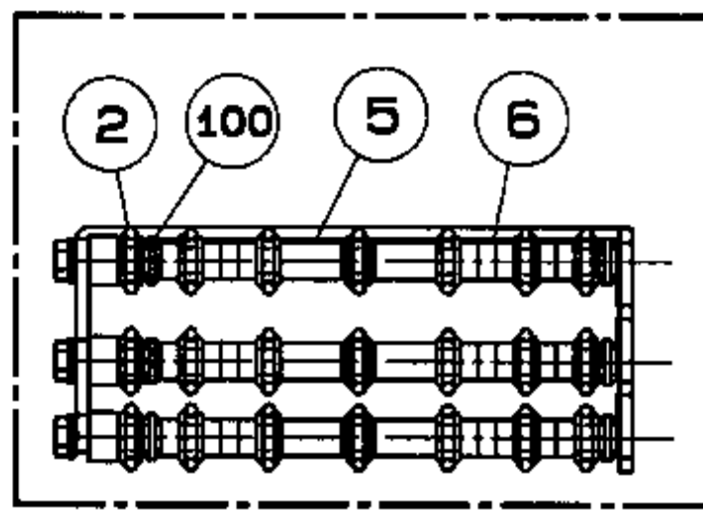
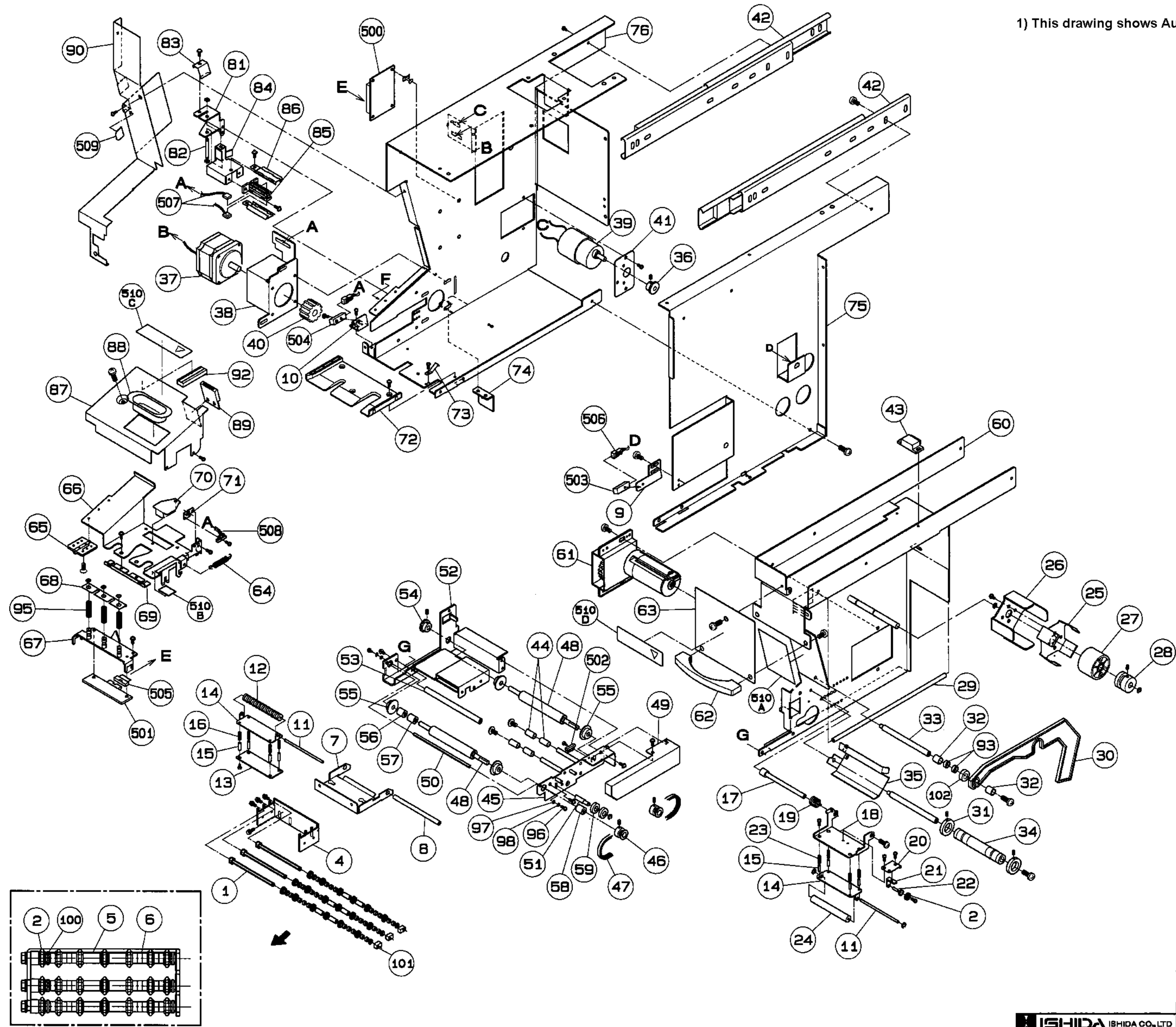
MODEL PRINTER UNIT: NO.1
 PART: 108-8032-01
 Refer to DWG № : 108-8110-08

ITEM	PART CODE	DESCRIPTION(NOTE)	QTY	RLWS List	REMARKS
84	072-5086-43	BRACKET:SENSOR:	1	\$5.00	
85	076-1988-01	HOLDER:SENSOR:	1	\$1.00	
86	078-0984-16	COVER:SENSOR:	2	\$3.00	
87	078-0840-31	COVER:HEAD:	1	\$18.00	
88	073-5832-06	LUG::	1	\$4.00	
89	072-8605-01	CATCH:MAGNET:	1	\$4.00	
90	108-0291-00	COVER:SIDE:	1	\$198.00	
92	065-1825-01	GASKET::	1	\$3.00	
93	041-1695-06	COLLAR::SPACER	2	\$1.00	
95	072-8616-01	SPRING:COIL:COMPRESSIVE	3	\$4.00	
96	090-5431-02	SCREW:CROSS PAN HEAD:	2	\$1.00	
97	090-5432-06	PLAIN WASHER::	2	\$1.00	
98	090-5433-00	SPRING WASHER::	2	\$1.00	
100	079-8972-09	COLLAR::B	6	\$9.00	
101	091-8679-07	BLOCK A:ASSIST:	3	\$6.00	
102	095-9235-00	COLLAR A::	1	\$13.00	
500	98652 068-9930-19	PWB:P-925:-1	1	\$39.00	
501	87531 094-0086-01	PRINTER:THERMAL:HEAD	1	\$215.00	Same as SR-2000a Recommended (1)
502	105979 067-2609-01	SWITCH:FOR HEAD:MAGNET:	1	\$15.00	
503	87534 064-5587-01	PHOTO INTERRUPTOR:TRANS:	1	\$10.00	
504	87535 066-4500-09	PHOTO INTERRUPTOR:TRANS:RE	1	\$10.00	
505	112867 071-4583-38	HARNESS:C2;THERMAL HEAD	1	\$52.00	
506	071-4549-31	HARNESS:C2:SENSOR JUNCTION	1	\$4.00	
507	102190 098-8086-00	SENSOR AS:: LABEL GAP	1	\$27.00	
508	105978 098-8087-12	SENSOR AS:HEAD UP:	1	\$25.00	
509	108-0344-03	PLATE:PATCH	1	\$15.00	

MODEL PRINTER UNIT: NO.1
PART: 108-8032-01
Refer to DWG № : 108-8110-08

ITEM	PART CODE	DESCRIPTION(NOTE)	QTY	RLWS List	REMARKS
510	106-6698-09	SHHET:SET:PRINTER	1	\$45.00	

1) This drawing shows Auto Labelling Printer.



TITLE
ASSEMBLE:PRINTER:OMNI
DWS. No.
108-8110-08

ISHIDA ISHIDA CO., LTD

MODEL DISPLAY UNIT::
PART: 108-8035-01
Refer to DWG № : 098-8131-04-3

ITEM	PART CODE	DESCRIPTION(NOTE)	QTY	RLWS List	REMARKS
1	091-2133-09	CASE:CONTROLLER:FRONT	1	\$9.00	
2	098-8224-07	CASE AS:CONTROLLER:REAR	1	\$10.00	
3	070-3082-01	COVER:CONNECTOR:	1	\$5.00	
4	070-3083-04	COVER:VOLUME:	1	\$2.00	
5	098-3213-08	FRAME:CONTROLLER:	1	\$21.00	
6	074-7213-05	BRACKET:CONNECTOR:OPERATION	1	\$6.00	
7	074-7467-04	SHEET::	3	\$2.00	
9	107850 106-6641-07	SHEET:INDICATION:OVERLAY	1	\$177.00	
10	072-8703-02	PRINT:TORQUE:	2	\$25.00	
14	022-7035-09	ACCESSORY:CLAMP:WIRE	2	\$3.00	
15	48233 000-0069-07	SCREW:CROSS PAN HEAD:	2	\$1.00	
16	002-5338-01	SCREW:CROSS PAN HEAD:	2	\$1.00	
17	072-8769-08	SCREW:CROSS PAN HEAD:	2	\$1.00	
18	000-0321-06	SCREW:CROSS PAN HEAD:BWA S2P2	8	\$1.00	
19	072-8766-07	TAPPING SCREW:CROSS PAN:P	6	\$1.00	
20	014-3997-02	CROSS HEX:SET SCREW S2P2:	4	\$1.00	
21	072-8768-04	TAPPING SCREW:CROSS PAN HEAD:	2	\$1.00	
50	98408 101-1855-02	DISPLAY:LIQUID CRYSTAL:TFT	1	\$661.00	
51	98402 069-6657-09	TOUCH PANEL:ANALOG:	1	\$121.00	Recommended (1)
52	098-8337-04	INVERTER	1	\$61.00	
53	104766 098-8264-15	PWB:P-917:B-2:TOUCHSCREEN CONTROLLER	1	\$338.00	
54	069-6731-20	HARNESS:C2:KEY JUNC.	1	\$11.00	
55	098-3156-27	HARNESS:C4:TFT	1	\$61.00	
56	098-3155-14	HARNESS:C2:INVERTER	1	\$10.00	
58	098-8130-01	VOLUME AS::	1	\$17.00	
59	098-3464-06	PLATE:SPACER:	1	\$4.00	

MODEL DISPLAY UNIT::
PART: 108-8035-01
Refer to DWG № : 098-8131-04-3

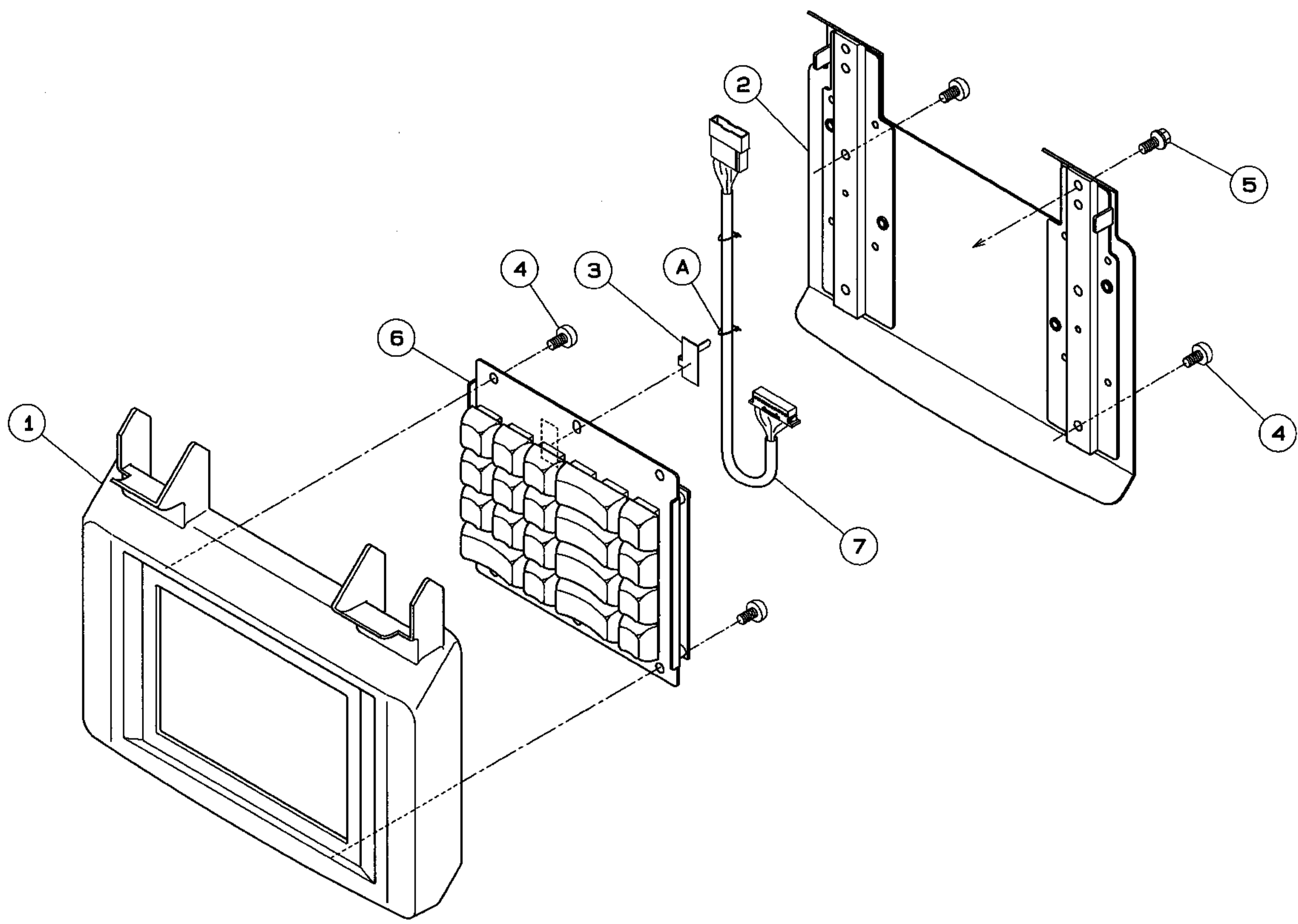
ITEM	PART CODE	DESCRIPTION(NOTE)	QTY	RLWS List	REMARKS
60	098-3465-19	PLATE:SPACER:	2	\$2.00	

MODEL KEY UNIT:
 PART: 108-8036-05
 Refer to DWG № : 108-8175-00

ITEM	PART CODE	DESCRIPTION(NOTE)	QTY	RLWS List	REMARKS
1	070-3084-08	CASE:KEY:FRONT	1	\$6.00	
2	072-8744-32	KEY REAR AS::	1	\$28.00	
3	002-5711-08	ACCESSORY:CLAMP:CODE STICKER	1	\$1.00	
4	072-8767-01	TAPPING SCREW:PLUS PAN:P TIGHT	8	\$1.00	
5	014-3997-02	CROSS HEX:SET SCREW S2P2:	4	\$1.00	
6	98407 108-0485-05	KEYBOARD AS::	1	\$319.00	Recommended (1)
999	98400	10 KEY:COVER:CLEAR:ADHESIVE	1	\$50.00	OPTIONAL Recommended (1)
7	069-6732-32	HARNESS:C2:TEN KEY	1	\$15.00	

6
5
4
3
2
1

a b c d e f g h



TITLE
ASSEMBLE:OMNI:KEY

ENG. NO.
108-8175-00

ISHIDA ISHIDA CO.,LTD

c d e f g h

MODEL SCALE UNIT::

PART: 108-8033-04

Refer to DWG № : 108-8178-01-1

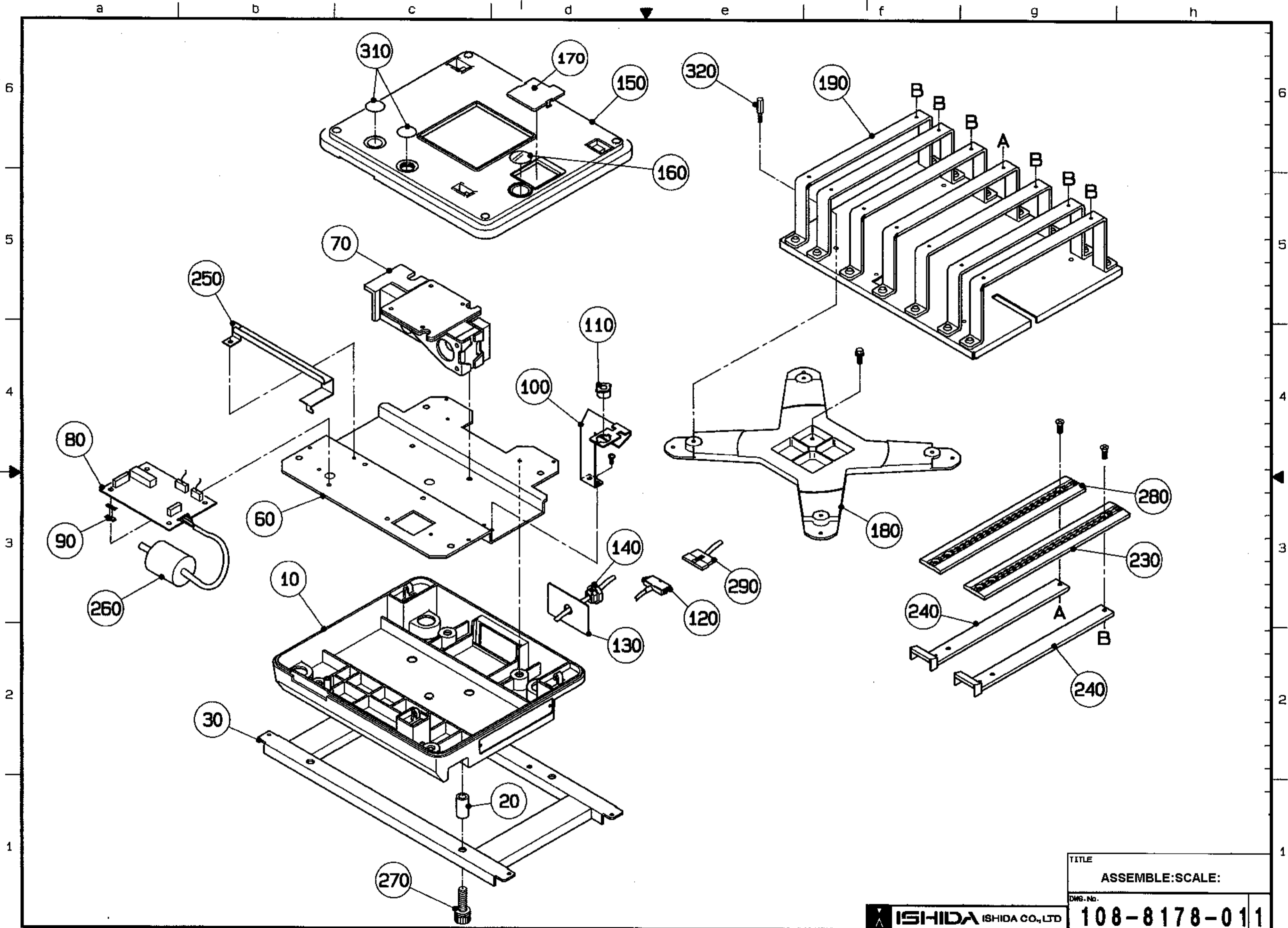
ITEM	PART CODE	DESCRIPTION(NOTE)	QTY	RLWS List	REMARKS
10	042-4923-03	CASE:SCALE:LOWER	1	\$65.00	
20	046-2410-01	COLLAR::	4	\$5.00	
30	076-9731-00	SUPPORTER:WEIGHING:	1	\$177.00	
60	045-3530-01	BASE:WEIGH:	1	\$29.00	
70	47030 047-3068-01	LC UNIT:CLC-25N:	1	\$359.00	
80	98401 070-3480-73	PWB:P-930:A-1 A/D	1	\$280.00	Recommened (1)
90	043-1633-00	PWB ACCESSORY:CARD SPACER:	1	\$4.00	
100	090-0908-03	BRACKET:HORIZONTAL:	1	\$39.00	
110	011-2854-08	LEVEL AS:	1	\$16.00	
120	071-4657-58	HARNESS:C4:SCALE COMM	1	\$61.00	
130	079-1295-14	PLATE B:BACK PLATE:	1	\$1.00	
140	074-7145-05	ACCESSORY:BUSH:CABLE	1	\$2.00	
150	042-4922-19	CASE:SCALE:UPPER	1	\$42.00	
160	046-2413-02	SEAL::	1	\$2.00	
170	042-4918-22	CASE:SCALE:COVER	1	\$9.00	
180	040-6759-48	PLATTER::	1	\$29.00	
190	077-4583-13	FRAME:WEIGHING:	1	\$167.00	
230	076-1671-29	RAIL:WEIGHING:	6	\$42.00	
240	076-1670-25	GUIDE:RAIL:	7	\$29.00	
250	045-3961-31	COVER:HARNESS:	1	\$10.00	
260	044-2730-09	FILTER:FERRITE:	1	\$8.00	
270	000-8482-01	HEX SOCKET BOLT::	4	\$2.00	
280	101-1506-02	RAIL:WEIGH:	1	\$55.00	
290	091-0925-31	HARNESS:S2:SCALE RETRANSMISSION	1	\$49.00	

MODEL SCALE UNIT::

PART: 108-8033-04

Refer to DWG № : 108-8178-01-1

ITEM	PART CODE	DESCRIPTION(NOTE)	QTY	RLWS List	REMARKS
300	040-9585-01	SEAL RIVET::	2	\$8.00	
310	47032 020-3677-01	STEP SCREW::	1	\$24.00	



Prices and specifications subject to change without notice

ISHIDA ISHIDA CO., LTD

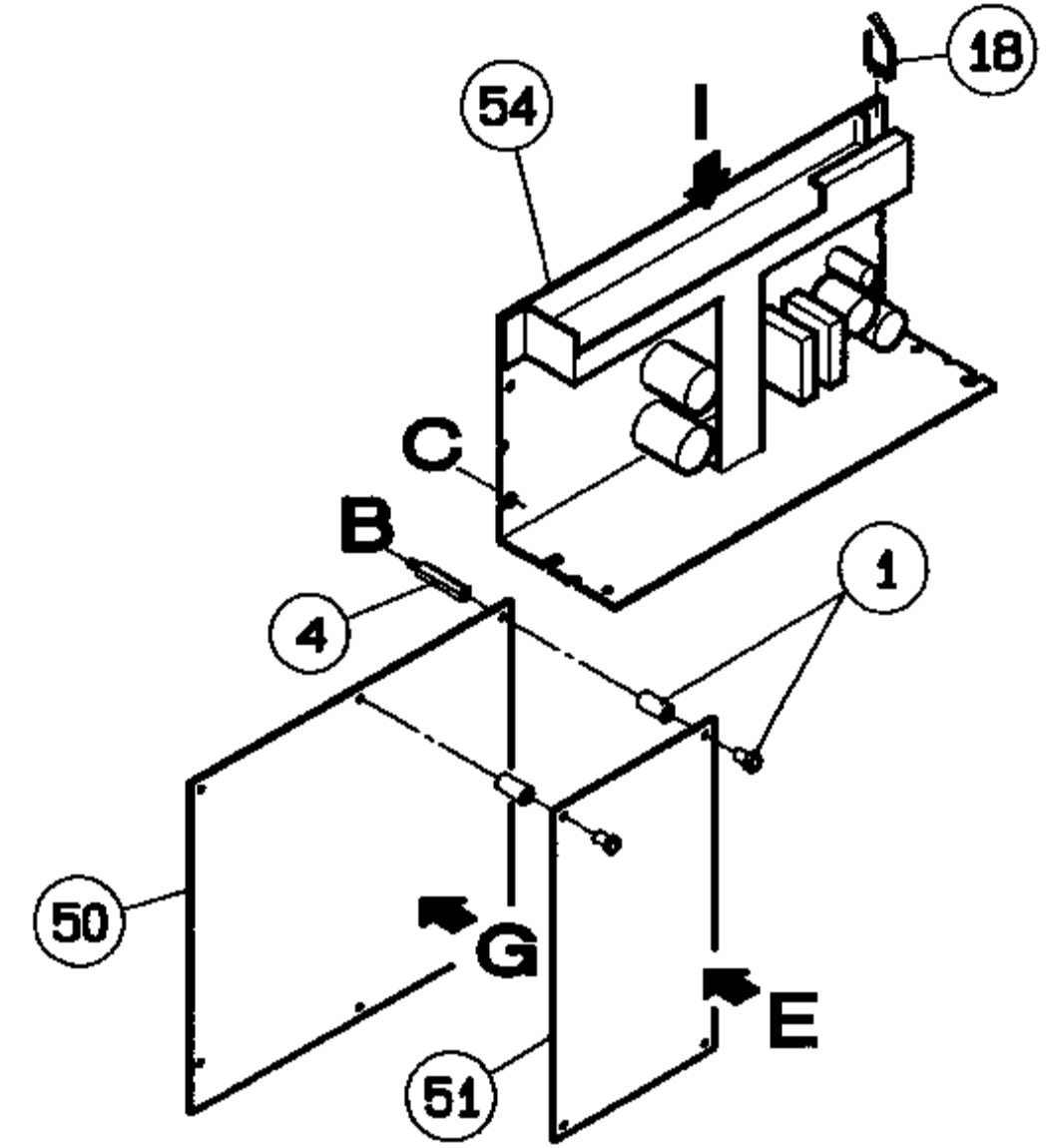
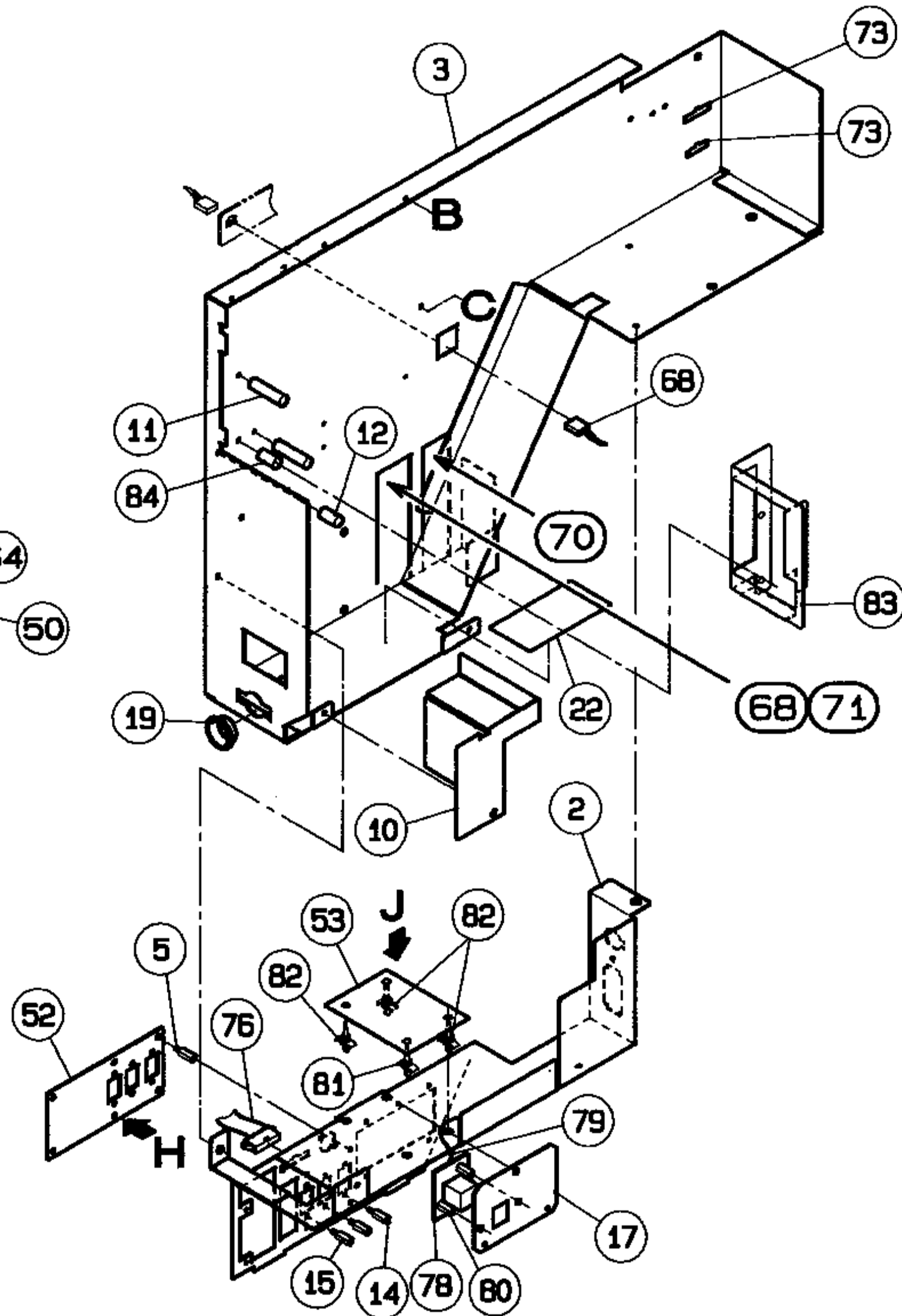
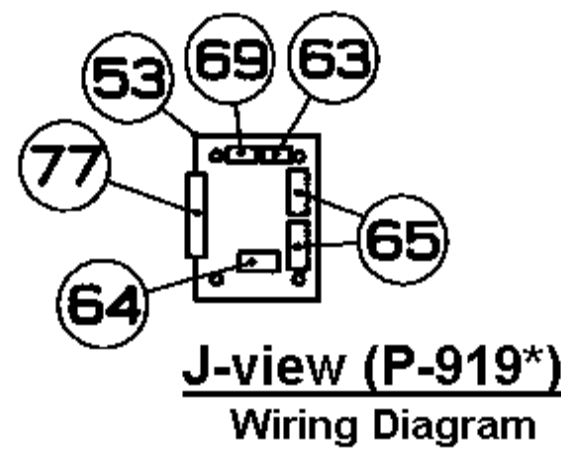
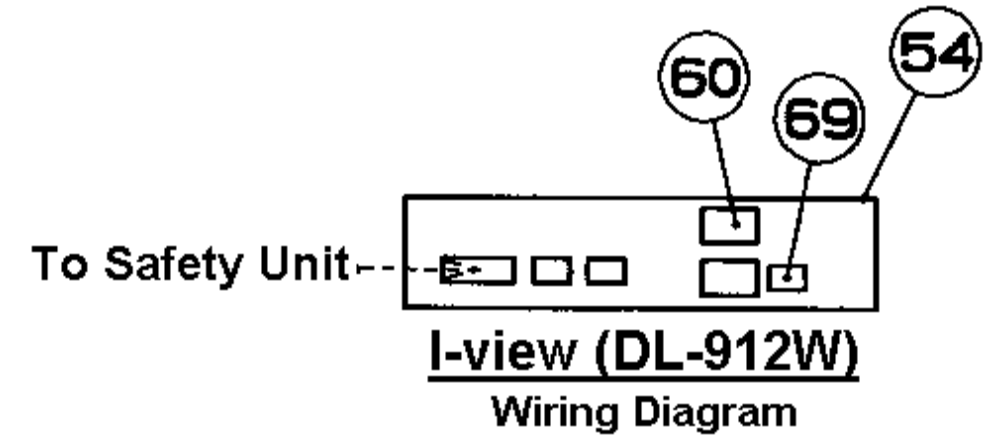
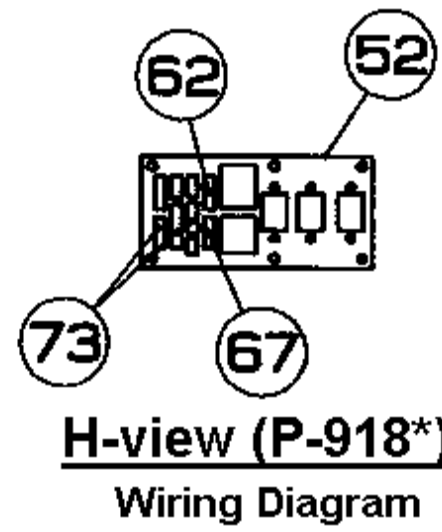
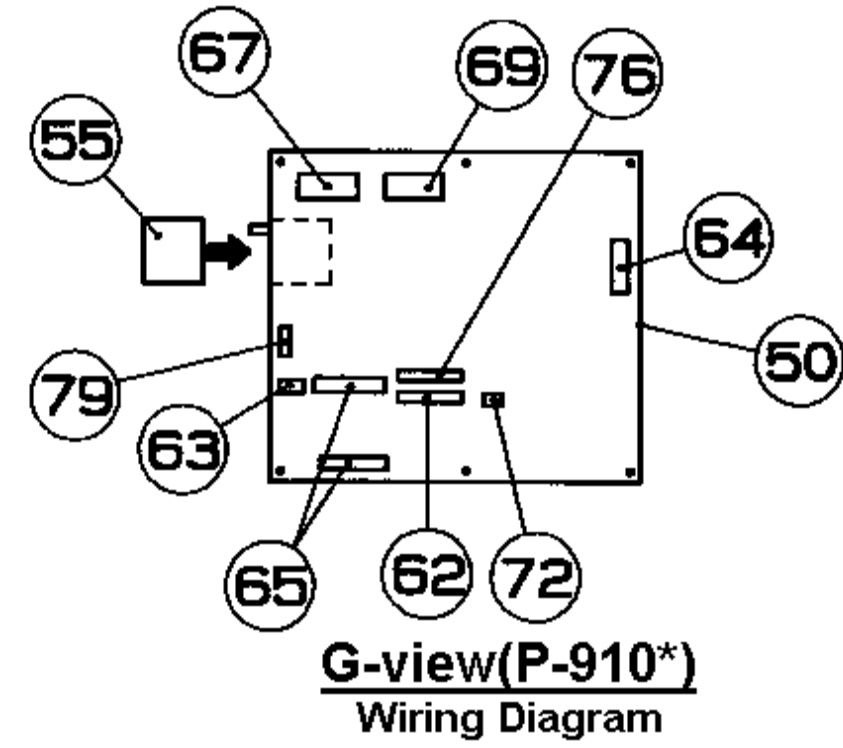
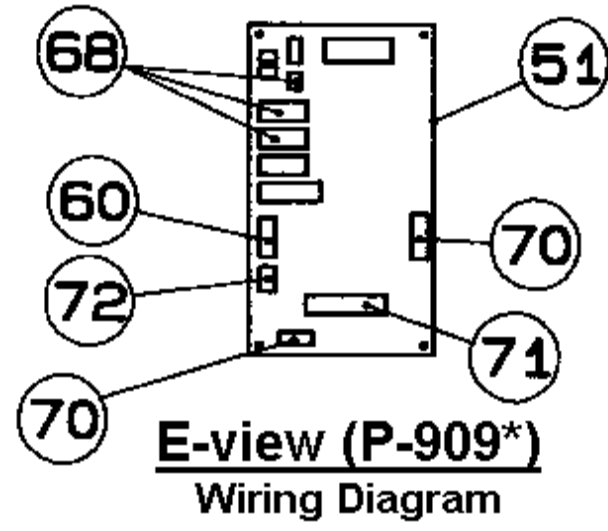
TITLE	ASSEMBLY SCALE:
DWG. No.	108-8178-011

MODEL CONTROL UNIT::AUTO
PART: 108-0494-09
Refer to DWG № : 108-8116-00

ITEM	PART CODE	DESCRIPTION(NOTE)	QTY	RLWS List	REMARKS
1	000-1845-04	PWB ACCESSORY:COLLAR BUSH:	4	\$1.00	
2	079-8935-38	FRAME:CONSOLE:LOWER	1	\$65.00	
3	079-8936-41	FRAME:CONSOLE:	1	\$108.00	
4	058-7652-08	PWB ACCESSORY:SPACER:	8	\$2.00	
5	073-7206-01	PWB ACCESSORY:SPACER:	6	\$1.00	
10	070-5198-15	COVER:CONNECTOR:	1	\$20.00	
11	001-6812-07	COLLAR::SPACER	2	\$1.00	
12	000-7831-04	COLLAR::SPACER	1	\$1.00	
14	070-9748-09	CONNECTOR:D SUB:ACCESSORY	2	\$2.00	
15	070-9749-02	CONNECTOR:D SUB:ACCESSORY	4	\$2.00	
17	098-3314-10	PLATE A::	1	\$4.00	
18	064-0360-05	ACCESSORY:FASTENER:EDGE SADDLE	1	\$1.00	
19	47015 013-8916-01	ACCESSORY:BUSH:OPEN LOCK	1	\$2.00	
20	073-7111-01	NAME PLATE::PLUG SOCKET	1	\$4.00	
22	073-7113-09	NAME PLATE:EXPLANATION:CONNECT	1	\$4.00	
50	98653 097-5687-37	PWB:P-910:H-2	1	\$841.00	
51	98651 101-7737-08	PWB:P-909:D-3	1	\$218.00	
52	069-6884-17	PWB:P-918:A-1	1	\$157.00	
53	101-1508-00	PWB:P-919:B-3	1	\$200.00	
54	100015 64 5583-07	POWER SUPPLY:SWITCHING:	1	\$300.00	
60	069-6683-15	HARNESS:S2:PS 24V	1	\$10.00	
62	069-4847-21	HARNESS:C2:PERIPHERAL INT1	1	\$11.00	
63	069-6689-26	HARNESS:C2:INVERTER JUNCTIC	1	\$5.00	
64	069-6688-22	HARNESS:S2:RS-232C	1	\$7.00	
65	098-3157-21	HARNESS:C4:LCD JUNCTION	1	\$25.00	
67	069-4846-36	HARNESS:C2:COMM	1	\$24.00	

MODEL CONTROL UNIT::AUTO
 PART: 108-0494-09
 Refer to DWG № : 108-8116-00

ITEM	PART CODE	DESCRIPTION(NOTE)	QTY	RLWS List	REMARKS
68	071-4550-62	HARNESS:C5:SENSOR JUNCTION	1	\$26.00	
69	069-6685-31	HARNESS:C3:PS	1	\$13.00	
70	071-4553-36	HARNESS:C4:MOTOR JUNCTION	1	\$19.00	
71	069-6673-54	HARNESS:S2:THERMAL HEAD	1	\$83.00	
72	063-8454-12	HARNESS:S2:POWER JUNCTION	1	\$3.00	
73	103-3946-19	HARNESS:C6:RS485	1	\$118.00	
76	090-0940-03	HARNESS:C2:SCALE	1	\$9.00	
77	098-4167-03	HARNESS:S2:LVDS	1	\$90.00	
78	095-4469-06	PWB:P-967:-1	1	\$19.00	
79	096-7500-07	HARNESS;S2:ETHERNET	1	\$12.00	
80	064-1783-01	PWB ACCESSORY:SPACER:	2	\$1.00	
81	043-1634-03	PWB ACCESSORY:CARD SPACER	1	\$5.00	
82	47027 000-1796-05	PWB ACCESSORY:CARD SPACER	3	\$1.00	
83	108-0345-07	COVER::CF	1	\$85.00	
84	42843 038-6983-09	COLLAR::SPACER	1	\$2.00	



(Single)

TITLE 品名	ASSEMBLE:CONTROL:OMNI
DMG.No. 図番	108-8116-00

ISHIDA ISHIDA CO.,LTD

MODEL CONNECTION UNIT::
 PART: 090-0793-02
 Refer to DWG № : 090-0888-02

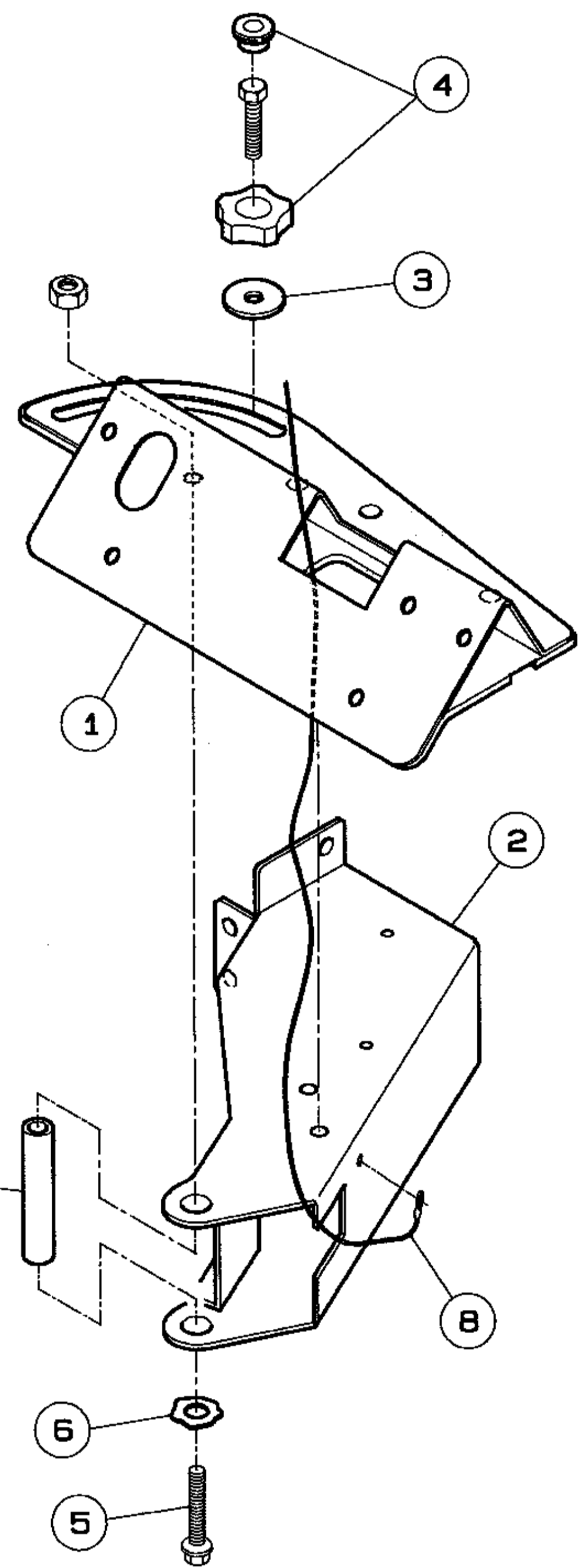
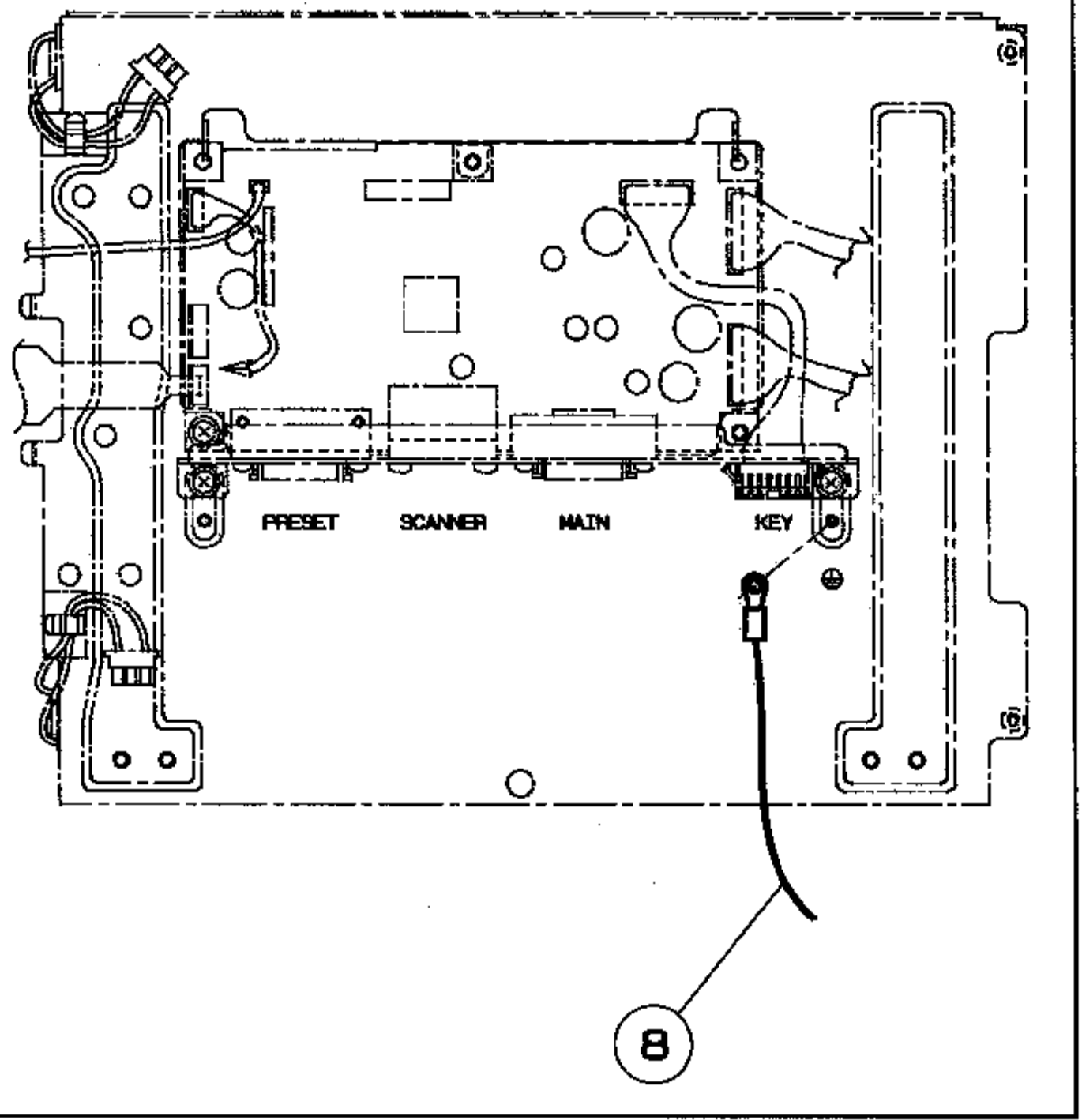
ITEM	PART CODE	DESCRIPTION(NOTE)	QTY	RLWS List	REMARKS
1	090-0769-58	BRACKET:ROTATION:CONSOLE	1	\$68.00	
2	090-0770-16	STAY::CONSOLE	1	\$106.00	
3	069-4614-01	PLATE A:ROUND:	1	\$2.00	
4	47159 000-1543-00	KNOB::	1	\$4.00	
5	002-2240-00	HEX BOLT::	1	\$1.00	
6	004-7621-08	WAVE WASHER::	1	\$1.00	
7	072-2355-08	COLLAR::	1	\$8.00	
8	076-9602-11	HARNESS:S2:EARTH	1	\$4.00	

a b c d e f g h

6
5
4
3
2
1

6
5
4
3
2
1

View (71-9753-05)



TITLE	
ASSEMBLE:CONNECTION:	
FIG. NO.	90-0888-02

ISHIDA ISHIDA CO.,LTD

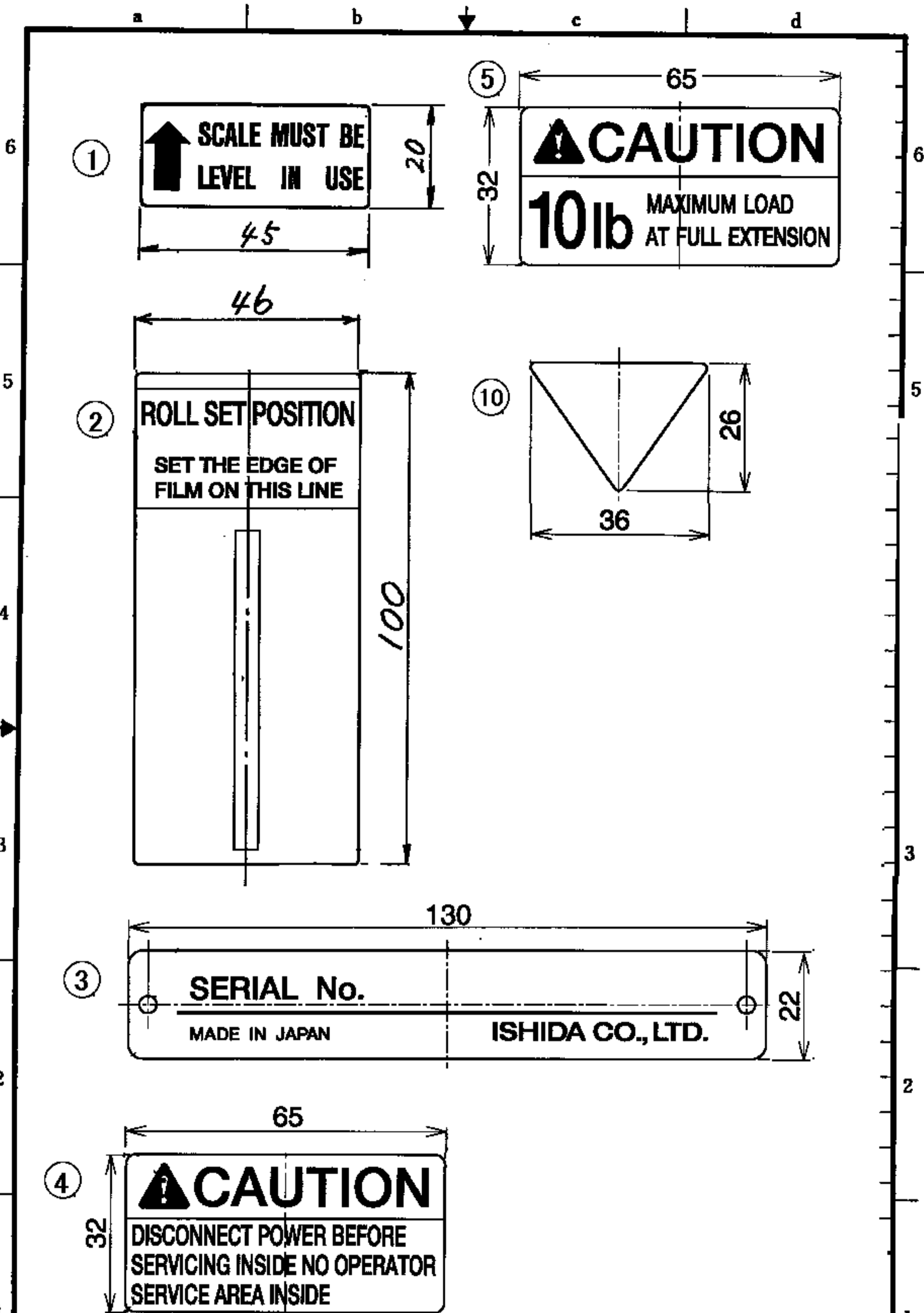
c d e f g h

MODEL NAME PLATE

PART: 108-0450-05

Refer to DWG № : 108045005.PDF

ITEM	PART CODE	DESCRIPTION(NOTE)	QTY	RLWS List	REMARKS
1	025-2570-09	NAME PLATE:LEVEL	1	\$14.00	
2	059-0112-05	NAME PLATE:OPERATION:	2	\$29.00	
3	090-0873-07	NAME PLATE:SPECIFICATION:	1	\$36.00	
4	090-0877-01	NAME PLATE:JUNCTION:	4	\$39.00	
5	090-0878-05	NAME PLATE:JUNCTION:	1	\$39.00	
6	091-0794-03	NAME PLATE:SCALE:TRAY	1	\$36.00	
7	090-0876-08	NAME PLATE:JUNCTION:	1	\$77.00	
8	106-6647-09	NAME PLATE:SPECIFICATION:	1	\$49.00	
9	090-0979-08	NAME PLATE:WARNING:	1	\$68.00	
10	090-0802-02	NAME PLATE:OPERATION:	1	\$36.00	



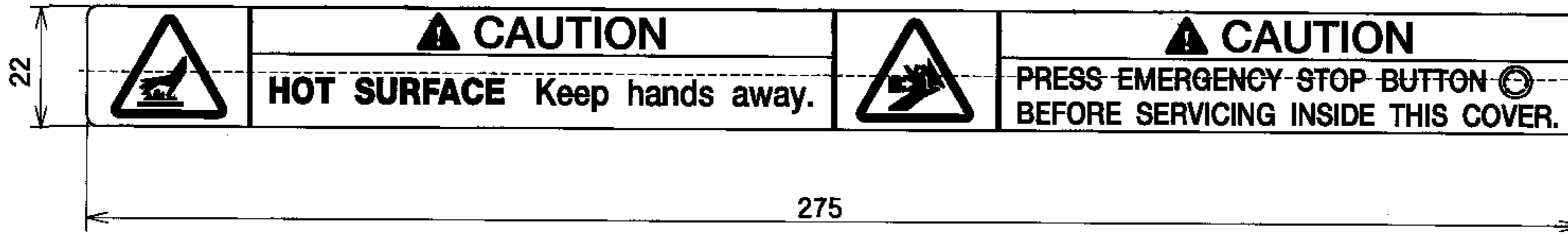
TITLE
NAME PLATE

DRAW. NO.
25-2570-09

ISHIDA ISHIDA SCALES MFG. CO., LTD.

Prices and specifications subject to change without notice.

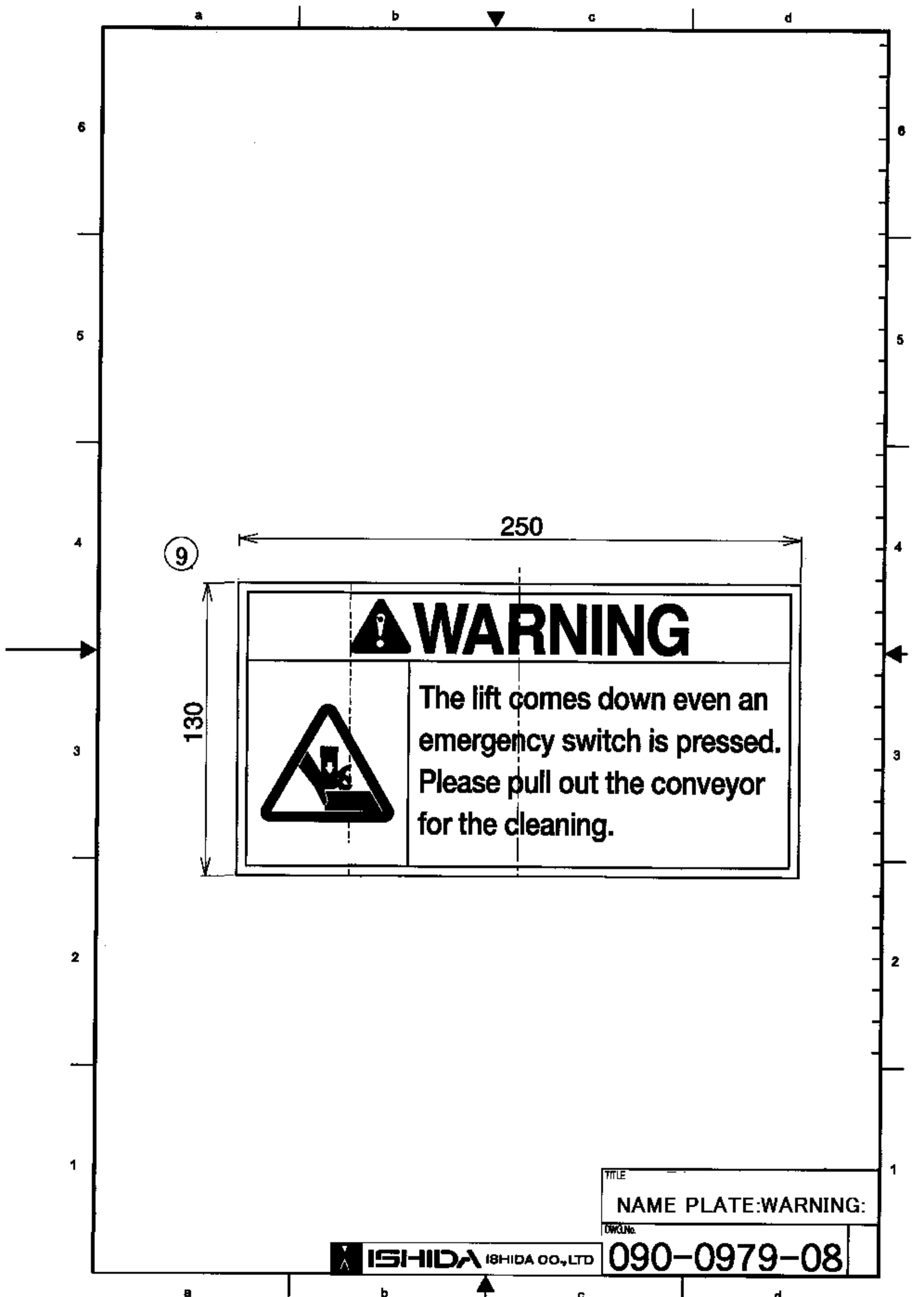
7



TITLE
NAME PLATE:JUNCTION:

DWG.No.
90-0876-08

ISHIDA ISHIDA CO.,LTD



9

250

130



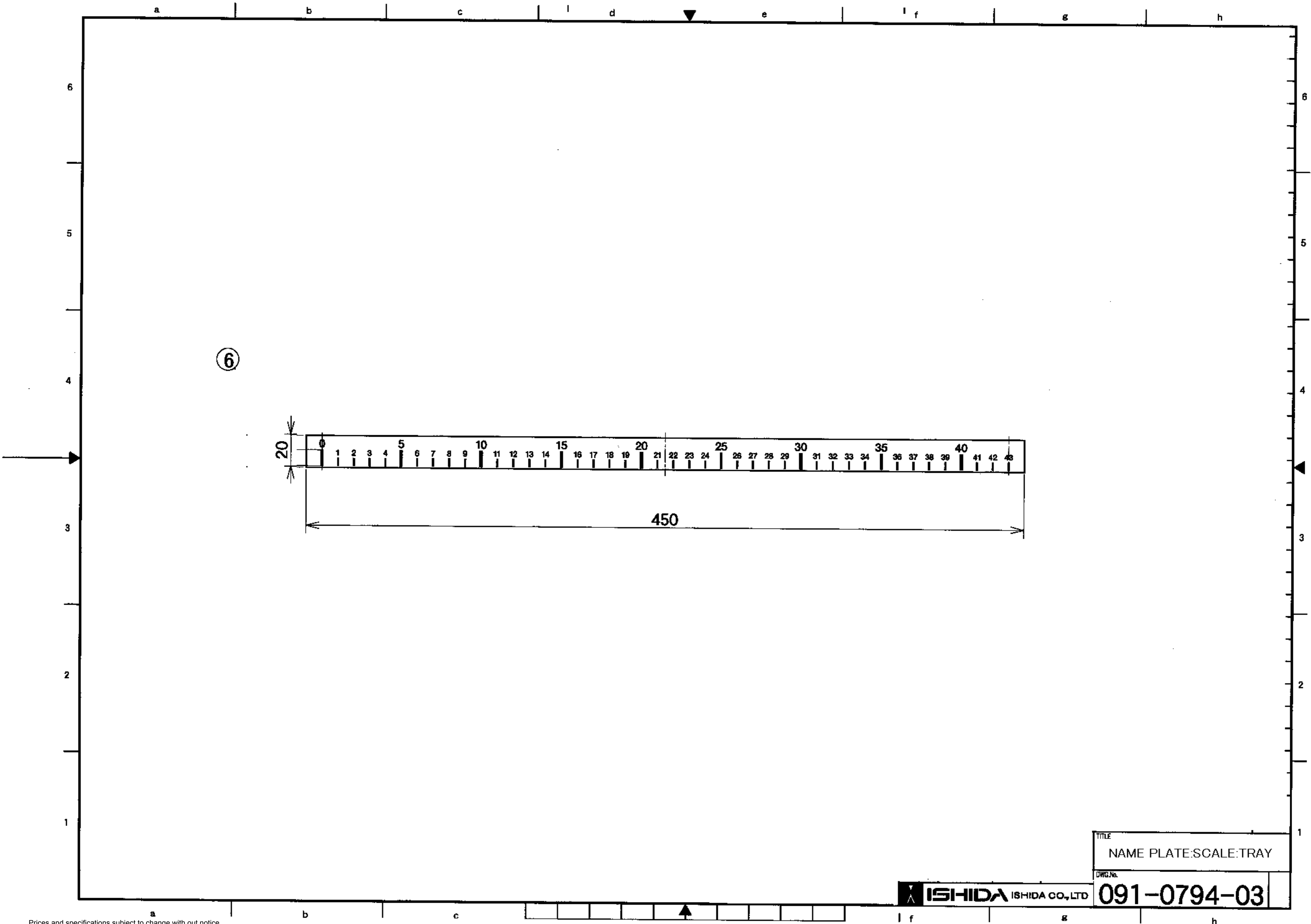
WARNING



The lift comes down even an emergency switch is pressed. Please pull out the conveyor for the cleaning.

TITLE	NAME PLATE:WARNING:
Draw.No.	090-0979-08

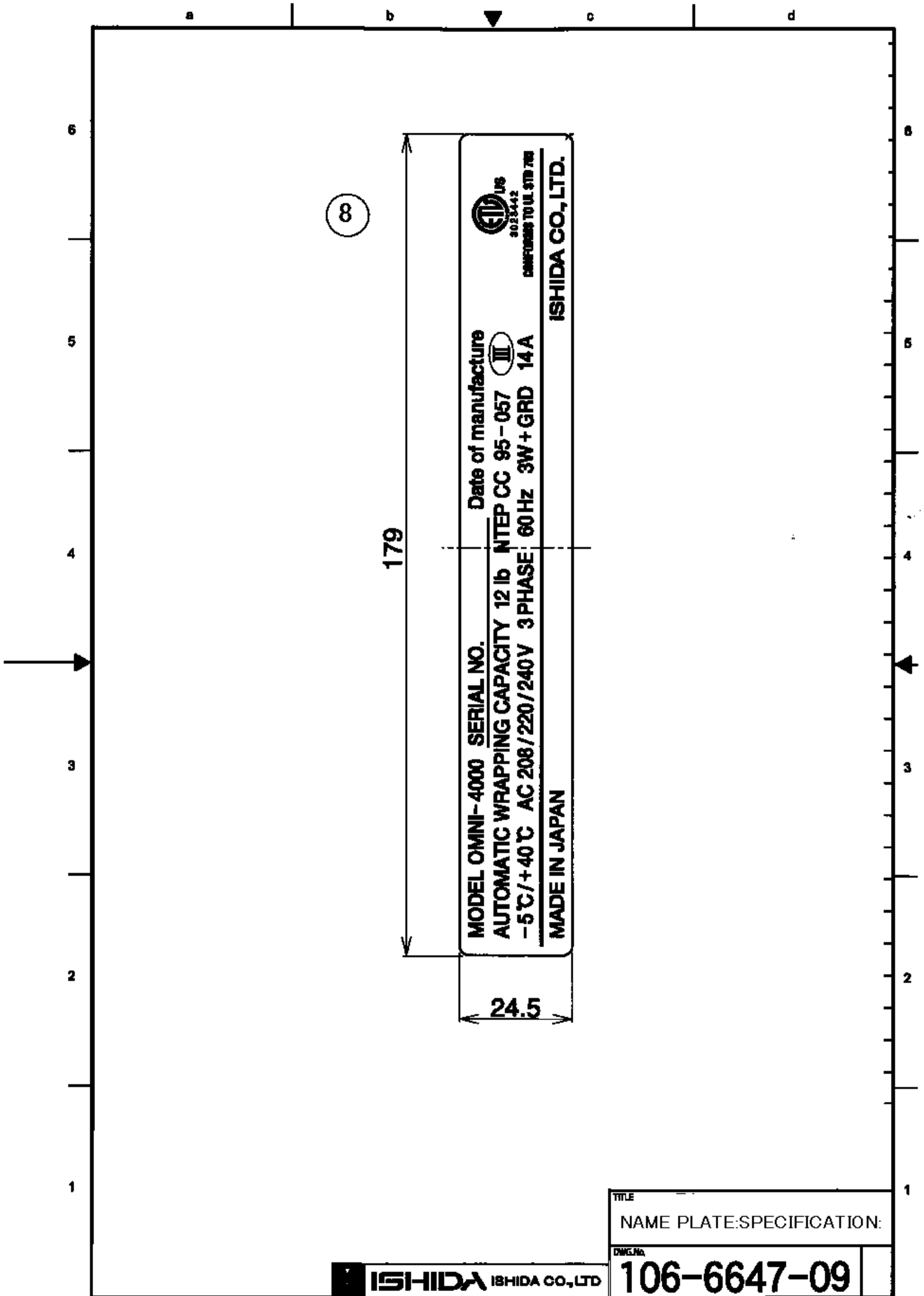
ISHIDA ISHIDA CO.,LTD



TITLE
NAME PLATE:SCALE:TRAY

DWG.No.
091-0794-03


ISHIDA ISHIDA CO.,LTD



8

179

MODEL OMNI-4000 SERIAL NO.
AUTOMATIC WRAPPING CAPACITY 12 lb NTEP CC 95-057 III
-5°C/+40°C AC 208/220/240V 3 PHASE 60Hz 3W+GRD 14A
MADE IN JAPAN

 **UL**
3023442
CONFORMS TO UL STD 708

ISHIDA CO., LTD.

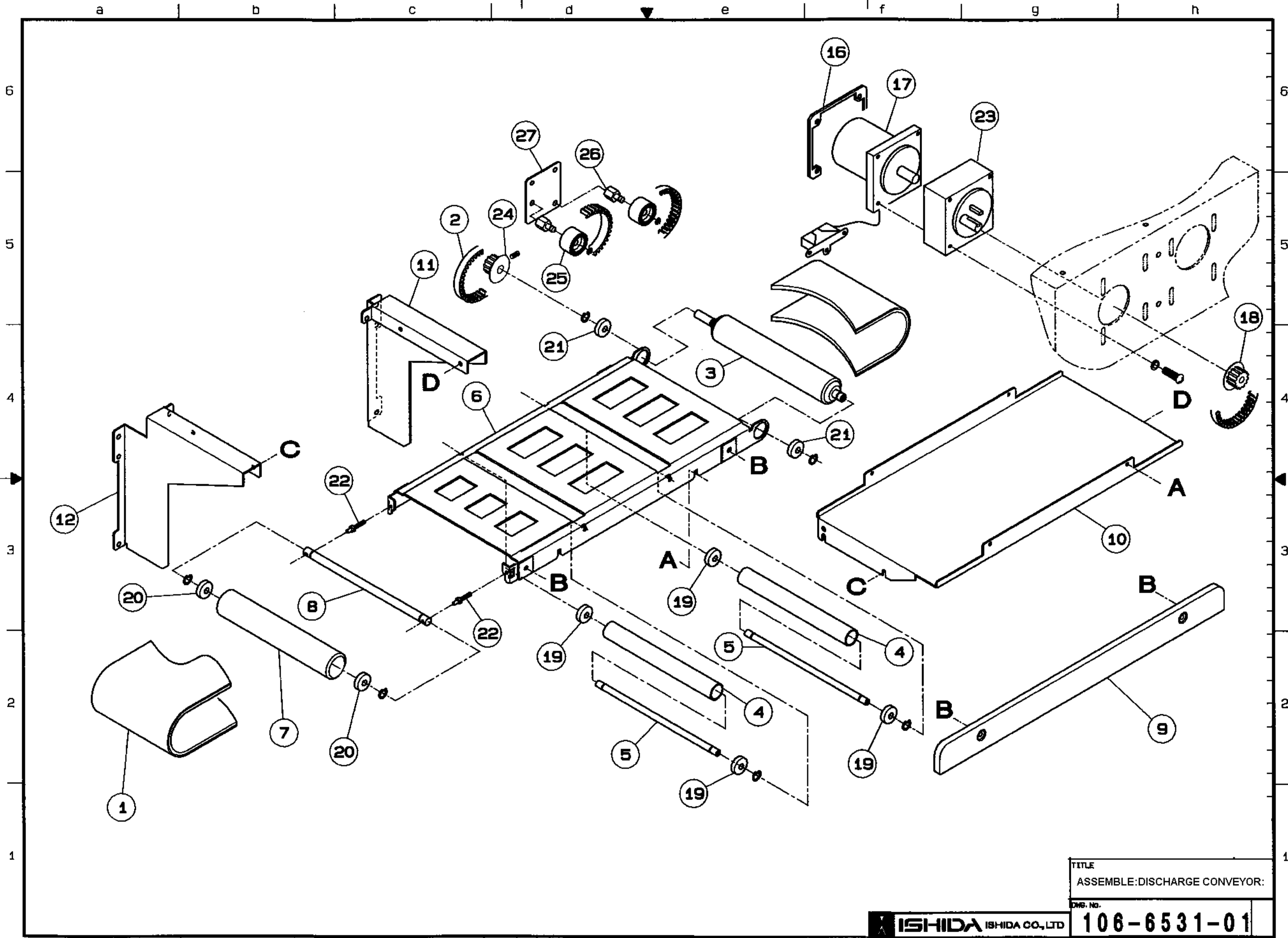
24.5

TITLE	
NAME PLATE: SPECIFICATION:	
DRWG. NO.	106-6647-09

ISHIDA ISHIDA CO., LTD

MODEL DISCHARGE CONVEYOR UNIT::
PART: 108-0447-03
Refer to DWG № : 106-6531-01 (108-8124-00)

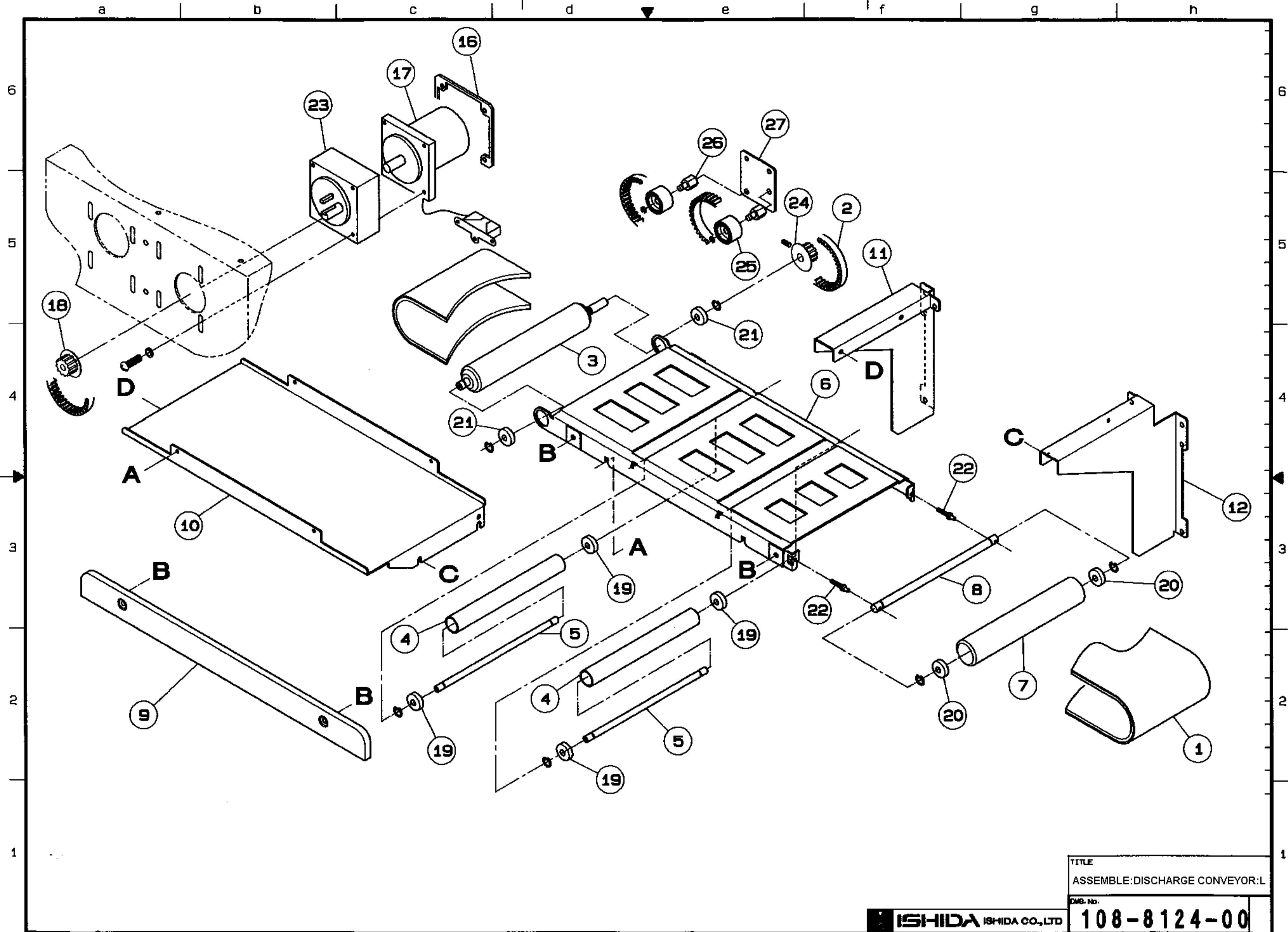
ITEM	PART CODE	DESCRIPTION(NOTE)	QTY	RLWS List	REMARKS
1	72910 092-2669-05	FLAT BELT::FINGER JOINT	1	\$414.00	
2	014-7342-08	TIMING BELT:XL:	1	\$20.00	
3	092-2665-01	ROLLER:DRIVE:	1	\$191.00	
4	092-2664-07	ROLLER:FOLLOWER:SUB	2	\$55.00	
5	092-2666-13	SHAFT:ROLLER:TENSION	2	\$49.00	
6	092-2663-31	FRAME:CONVEYOR:BELT	1	\$167.00	
7	092-2668-11	ROLLER:FOLLOWER:	1	\$124.00	
8	092-2667-08	SHAFT:FOLLOWER:	1	\$93.00	
9	092-2680-16	COVER:CONVEYOR:	1	\$129.00	
10	092-2679-02	FRAME:CONVEYOR:	1	\$93.00	
11	103-3854-29	BRACKET:CONVEYOR:	1	\$116.00	
12	103-3855-22	BRACKET:CONVEYOR:	1	\$116.00	
16	091-0723-09	PLATE B:NUT:MOTOR	1	\$15.00	
17	108-0489-00	MOTOR AS::DISCHARGE 1	1	\$213.00	
18	003-6626-05	TIMING PULLEY:XL:AF	1	\$11.00	
19	030-2967-06	BEARING:RADIAL:	4	\$8.00	
20	000-3650-02	BEARING:RADIAL:DEEP GROOVE	2	\$10.00	
21	47169 000-3660-00	BEARING:RADIAL:DEEP GROOVE	2	\$14.00	
22	061-7442-01	SHAFT:STEP:TENSION	2	\$13.00	
23	48175 005-4872-02	GEAR HEAD::	1	\$206.00	
24	028-9962-02	TIMING PULLEY:XL:AF	1	\$74.00	
25	88649 048-3915-03	PULLEY:TENSION:	2	\$9.00	
26	049-2366-02	SHAFT:TENSION:	2	\$8.00	
27	108-0251-01	PLATE A:ROLLER:TENSION	1	\$39.00	



TITLE
ASSEMBLY: DISCHARGE CONVEYOR:

DRG. No.
106-6531-01

ISHIDA ISHIDA CO., LTD



TITLE
ASSEMBLY: DISCHARGE CONVEYOR: L

OMB No.
108-8124-00

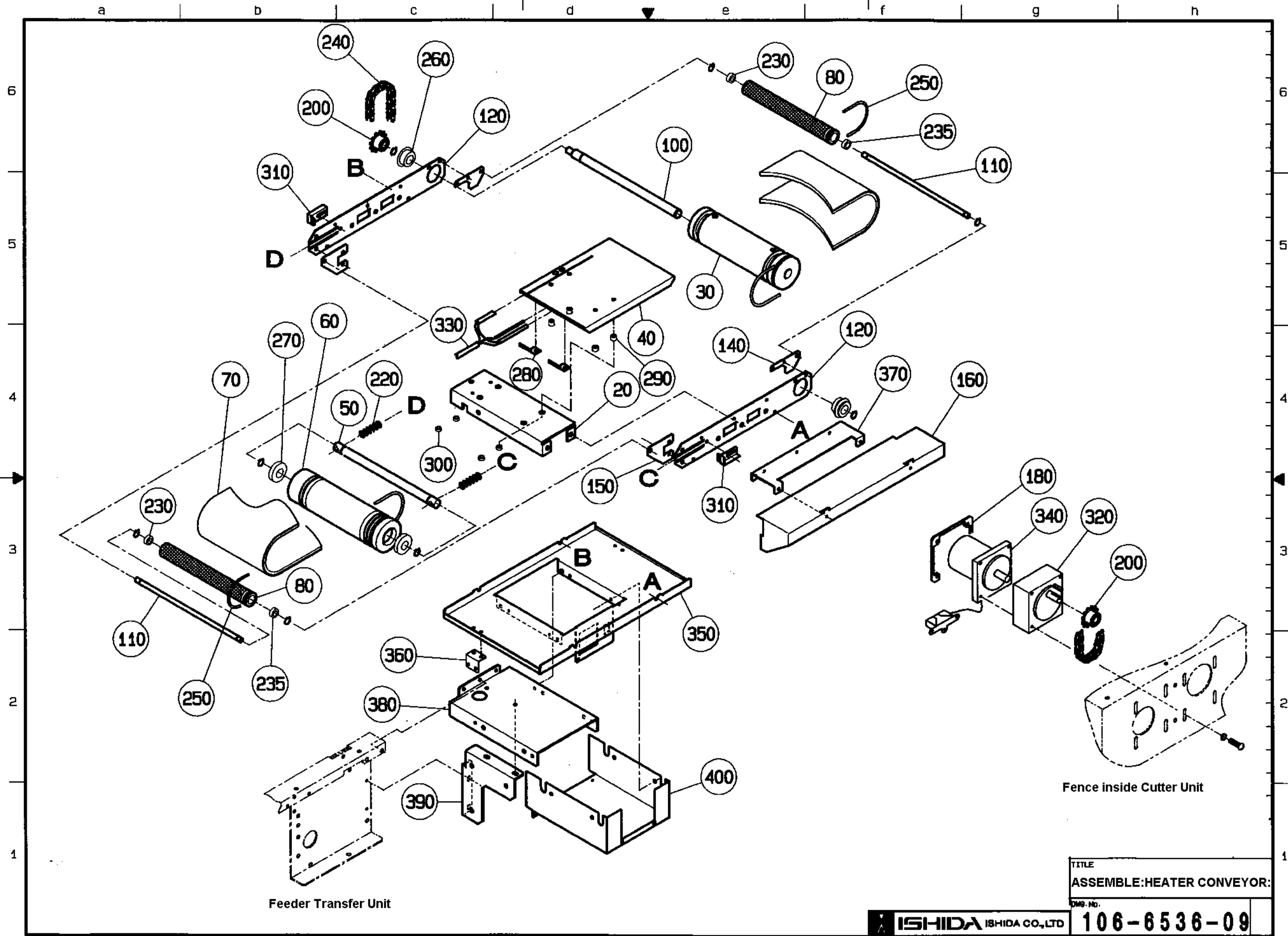
ISHIDA ISHIDA CO., LTD

MODEL HEATER CONVEYOR UNIT::
PART: 108-0448-07
Refer to DWG № : 106-6536-09 (108-8123-06)

ITEM	PART CODE	DESCRIPTION(NOTE)	QTY	RLWS List	REMARKS
20	103-3831-14	STAY::	1	\$74.00	
30	103-3863-13	ROLLER:HEATER CONVEYOR:	1	\$578.00	
40	98403 103-3858-14	BLOCK B:HEATER:	1	\$447.00	Recommended (1)
50	103-3862-10	SHAFT:TENSION:	1	\$154.00	
60	103-3864-17	ROLLER:FOLLOWER:	1	\$561.00	
70	72912 092-2688-06	FLAT BELT:HEATPROOF:	1	\$452.00	
80	103-3865-11	ROLLER:TRANSFER:	2	\$500.00	
100	108-0128-05	SHAFT:DRIVE:	1	\$124.00	
110	106-6543-14	SHAFT:TRANSFER:	2	\$113.00	
120	103-3860-12	FRAME:HEATER:CONVEYOR	2	\$61.00	
140	108-0129-09	PLATE B:DRIVE:	2	\$27.00	
150	108-0242-07	PLATE B:FOLLOWER:	2	\$28.00	
160	106-6515-29	COVER:HEATER:	1	\$242.00	
180	091-0723-09	PLATE B:NUT:MOTOR	1	\$15.00	
200	094-2519-13	SPROCKET:T35:B	2	\$134.00	
220	091-0601-08	SPRING:COIL:COMPRESSIVE	2	\$5.00	
230	47165 000-3610-03	BEARING:RADIAL:NSK 608ZZ 8'22	2	\$6.00	
235	000-3622-08	BEARING:RADIAL:	2	\$12.00	
240	004-1418-06	CHAIN:ROLLER:	1	\$21.00	
250	79517 041-9541-05	DRIVE BELT:ROUND:	2	\$9.00	
260	106115 030-6366-02	BEARING:RADIAL:DEEP GROOVE	2	\$12.00	
270	000-3641-09	BEARING:RADIAL:DEEP GROOVE	2	\$8.00	
280	103-3830-01	COVER:HEATER:	2	\$42.00	
290	79518 039-6999-05	COLLAR:: 7mm thick	4	\$9.00	Recommended (4)
300	79519 030-6321-14	COLLAR:: 5mm thick	4	\$9.00	Recommended (4)
310	108-0127-01	STAY:TENSION:	2	\$49.00	

MODEL HEATER CONVEYOR UNIT::
 PART: 108-0448-07
 Refer to DWG № : 106-6536-09 (108-8123-06)

ITEM	PART CODE	DESCRIPTION(NOTE)	QTY	RLWS List	REMARKS
320	005-4772-03	GEAR HEAD::	1	\$203.00	
330	72880 090-0813-12	HEATER AS::	1	\$625.00	Recommended (1)
340	108-0490-04	MOTOR AS::DISCHARGE 2	1	\$213.00	
350	108-0120-15	COVER:HEATER:LOWER	1	\$190.00	
360	108-8062-02	STAY:HEATER CONVEYOR:	1	\$13.00	
370	106-6514-16	BRACKET:COVER:	1	\$61.00	
380	108-0122-03	BRACKET:HEATER:CONVEYOR	1	\$81.00	
390	108-0123-07	STAY:REINFORCEMENT:	1	\$71.00	
400	108-0121-19	COVER:CONTROLLER:	1	\$71.00	



Feeder Transfer Unit

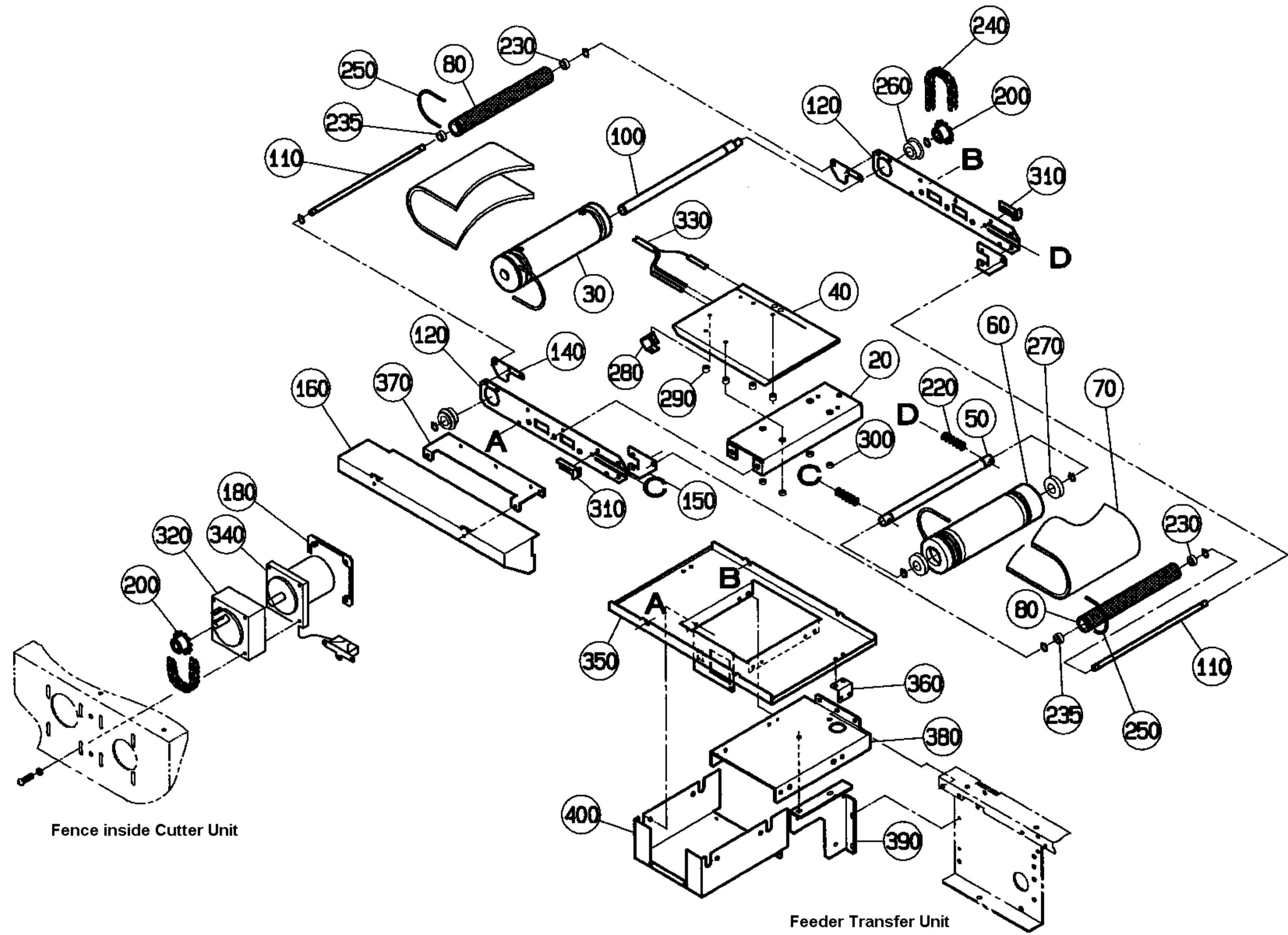
Fence inside Cutter Unit

TITLE	
ASSEMBLY: HEATER CONVEYOR:	
Des. No.	106-6536-09

ISHIDA ISHIDA CO., LTD

a b c d e f g h

6
5
4
3
2
1



Fence inside Cutter Unit

Feeder Transfer Unit

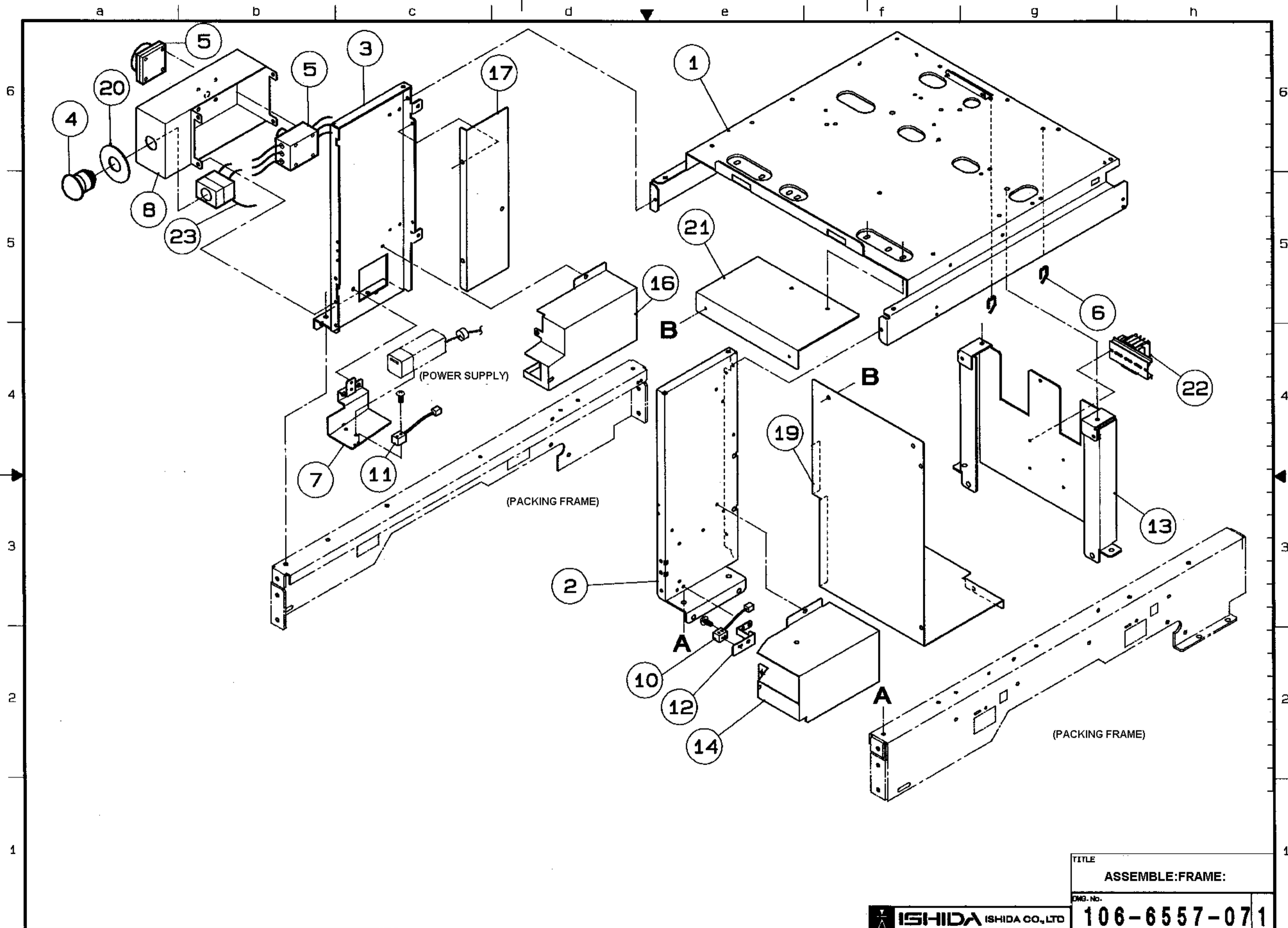
TITLE	
ASSEMBLY: HEATER CONVEYOR: L	
DWG. No.	
108-8123-06	

ISHIDA ISHIDA CO., LTD

c d e f g h

MODEL PRINTER FRAME UNIT::OMNI
 PART: 108-0452-02
 Refer to DWG № : 106-6557-07-1

ITEM	PART CODE	DESCRIPTION(NOTE)	QTY	RLWS List	REMARKS
1	077-4992-50	BASE:PRINTER:TOP PLATE	1	\$149.00	
2	106-6535-14	STAND:TOWER:R	1	\$236.00	
3	106-6534-11	STAND:TOWER:L	1	\$248.00	
4	72899 064-9296-02	SWITCH:PUSH:EMERGENCY	1	\$65.00	
5	72842 072-2230-06	SWITCH:ROTARY:	1	\$108.00	
6	073-7214-01	ACCESSORY:CLAMP:LWS CLAMP	3	\$1.00	
7	106-6533-17	BRACKET:SWITCH:	1	\$111.00	
8	106-6532-13	BRACKET:PS SWITCH:	1	\$197.00	
10	072-2099-04	PHOTO:INTERRUPTER:EMISSION	1	\$14.00	
11	072-2100-05	PHOTO:INTERRUPTER:RECEIVE	1	\$24.00	
12	108-0228-04	BRACKET:APPLICATOR:SENSOR	1	\$55.00	
13	103-3880-26	FRAME:APPLICATOR:REAR	1	\$198.00	
14	106-6526-20	COVER:CABLE:	1	\$77.00	
16	108-0287-13	COVER:SAFETY:	1	\$83.00	
17	108-0288-08	COVER:INSIDE:UPPER	1	\$72.00	
19	106-6529-11	COVER:INSIDE:TOWER	1	\$189.00	
20	092-1972-01	NAME PLATE:OPERATION:	1	\$12.00	
21	106-6655-09	L PLATE:COVER:	1	\$61.00	
22	072-2290-00	TERMINAL AS:BLOCK:	1	\$13.00	
23	108-0274-06	HARNESS:C7:EMERGENCY STOP	1	\$42.00	

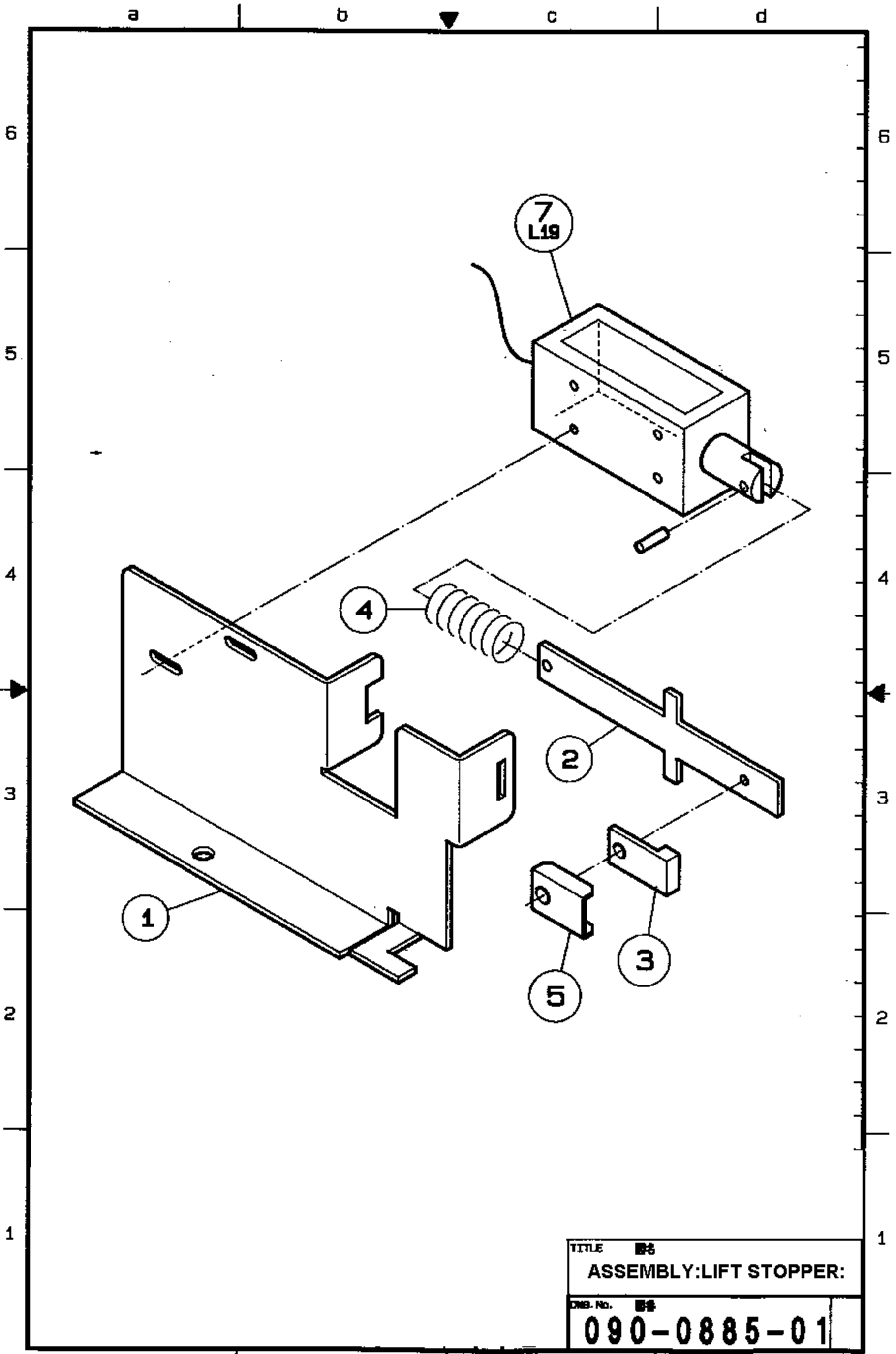


TITLE	ASSEMBLE:FRAME:
DWG. No.	106-6557-071

ISHIDA ISHIDA CO., LTD

MODEL LIFT STOPPER UNIT::
PART: 079-3105-08
Refer to DWG № : 090-0885-01

ITEM	PART CODE	DESCRIPTION(NOTE)	QTY	RLWS List	REMARKS
1	091-0505-12	BRACKET:SOLENOID:LIFT	1	\$17.00	
2	091-0504-19	PLATE B:LINK:SOLENOID	1	\$10.00	
3	070-5181-21	BLOCK B:STOPPER:LIFT CHANGEOVE	1	\$16.00	
4	091-0649-06	SPRING:COIL:COMPRESSIVE	1	\$4.00	
5	070-5183-10	U PLATE A:LIFT:STOPPER	1	\$6.00	
7	090-0794-06	SOLENOID AS:LIFT HOLD:	1	\$26.00	



TITLE	ASSEMBLY: LIFT STOPPER:
OMB. No.	090-0885-01

Ishida OMNi-4000 Series Recommended Spare Parts

Rev April 2007

Unit name	Description	RLWS PN	List Price	Quantity	Remark
Various	Photo Interrupter Sensor, EE-SX671	47408	30.00	2	Same as OMNi-3000
Electronic Bay, Rear	Fuse, 250V 1A	70119	2.00	2	Same as OMNi-3000
Electronic Bay, Rear	Fuse, 250V 8A	99133	2.00	2	017-5713-01
Electronic Bay, Rear	Fuse, 250V 3A	70122	3.00	2	Same as OMNi-3000
Electronic Bay, Rear	Fuse, 250V 4A	70123	3.00	2	Same as OMNi-3000
Electronic Bay, Left	Fuse, 1A, M5x20	99035	2.25	2	05-4013-00 P-857: F2, P-858: F2
Electronic Bay, Left	Fuse, 3A, M5x20	99036	2.25	2	03-3840-05 P-857: F1
Electronic Bay, Left	Fuse, 5A, 250V, M5x20	99037	2.25	2	31-4762-04 P-858: F3, F4
Electronic Bay, Left	Fuse, 7A, M5x20	99038	2.25	2	18-6059-09 P-858: F1
Film Roll Drive Unit	Belt, Leather	72904	67.00	1	Same as OMNi-3000
Film Feeder Unit	Film Feed Belt, White, Toothed	70129	285.00	2	Same as OMNi-3000
Scale	A/D Board, P-930:A	98401	255.00	1	070-3480-73
Infeed Conveyor	Block B, Pusher Pawl	74777	3.00	2	Same as OMNi-3000
Infeed Conveyor	Plate A, Joint Link	74815	2.00	2	Same as OMNi-3000
Infeed Conveyor	Screw, 3x10 Pan (for Plate A)	74816	2.00	2	Same as OMNi-3000
Operation Console Unit	Touch Panel, Analog	98402	121.00	1	069-6657-09
Operation Console Unit	Cover, Ten Key, Membrane	98400	50.00	1	092-8430-04
Lift Finger	Lift Head, Upper Base	75797	2.00	2	Same as OMNi-3000
Lift Finger	Hanger: Spring End Piece	74452	4.00	2	Same as OMNi-3000
Lift Finger	Spring: Coil: Tension (body return)	74453	2.00	2	Same as OMNi-3000
Lift Finger	Spring: Coil: Compressive (body return)	74454	17.00	1	Same as OMNi-3000
Lift Finger	Chain: Joint Link Set: Stainless, Assembly	74455	9.00	2	Same as OMNi-3000
Lift Finger	Spring Coil (head return)	74456	3.00	2	Same as OMNi-3000
Lift Finger	Supporter Head, Left	73935	57.00	1	Same as OMNi-3000
Lift Finger	Supporter Head, Right	73936	57.00	1	Same as OMNi-3000
Heater Conveyor	Heater Assembly	72880	625.00	1	Same as OMNi-3000
Heater Conveyor	Heater Block B	98403	404.00	1	103-3858-14
Heater Conveyor	Fuse, Heater Assembly	83251	4.00	1	Same as OMNi-3000
Heater Conveyor	Collar, Upper Spacer	79518	9.00	4	Same as OMNi-3000
Heater Conveyor	Collar, Lower Spacer	79519	9.00	4	Same as OMNi-3000
Wrapping Unit	Screw, Hex Head, Counter Sunk, M6x10	47573	1.50	4	Same as OMNi-3000
Maintenance part	General Purpose Lithium Grease, Yellow, 14oz	77932	6.75	1	Same as OMNi-3000
Maintenance part	Food Grade Grease, White, 14oz	77933	14.00	1	Same as OMNi-3000
Maintenance part	Multi-purpose Grease, Black, 14oz	77934	8.25	1	Same as OMNi-3000
Maintenance part	Safety Interlock, Key for Door Switch	95540	33.00	2	Extended version

Ishida OMNi-4000 Series Recommended Spare Parts

Rev April 2007

Other Recommended Items

Unit name	Description	RLWS PN	List Price	Quantity	Remark
Various	Safety Door Interlock Assembly	75798	30.00	1	Same as OMNi-3000
Lift (Tray Support)	Tray Support Bar, Right	74499	67.00	1	Same as OMNi-3000
Lift (Tray Support)	Tray Support Bar, Left	74498	67.00	1	Same as OMNi-3000
Electronic Bay, Right + Left	I/O Board, P858:B	70098	490.00	1	Same as OMNi-3000
Electronic Bay, Left	CPU Board, P-857:A, w/o EPROM	98404	490.00	1	092-2886-34
Electronic Bay, Left	Power Supply, 24VDC, SLS-150PW	47228	205.00	1	Same as OMNi-3000
Printer	Printhead: Direct Thermal, 3-inch, LH4114	87531	215.00	1	Same as SR-2000a
Film Press Unit	Sensor Assy, Rear Film Feeder position	98405	152.00	1	108-0188-09
Film Feeder Unit	Lever Assy, Film Grip Clamp	98406	36.00	1	091-0573-07
Film Feeder Unit	Solenoid Assy, 60W, Film Separation	47232	36.00	1	Same as OMNi-3000
Operation Console Unit	Keyboard Assy	98407	319.00	1	108-0485-05