

Wrapping Systems

AC-4000D

Operation Unit

(Diagram AC-4000D-A)



Pictured with optional wrap station components.

REF #	PART #	DESCRIPTION	PRICE
1	Consult	Housing, 89-444-03.....	\$326.75
2	47012	Bracket, display	211.00
3	80984	Sheet, keyboard assembly	93.00
4	46993	Keysheet, operator, 40-3654-03	4.25
5	85825	Sheet display panel	17.75
6	47014	Plate B	12.25
7	47015	Accessory, bush open lock.....	2.25
8	66390	Accessory, clamp	1.25
9	Consult	Nameplate specification, 89-4416-09.....	5.50
10	42861	Push rivet, white, nylon.....	1.50
11	50290	Stand, operation Unit	71.00
12	Consult	Nameplate, warning "Not for Direct Sale", 89-4436-03.....	2.75
E1	84040	Display module.....	528.50
E2	47006	PWB, P-862 buzzer board	67.75
E3	47018	Harness, C3 console 1	235.00

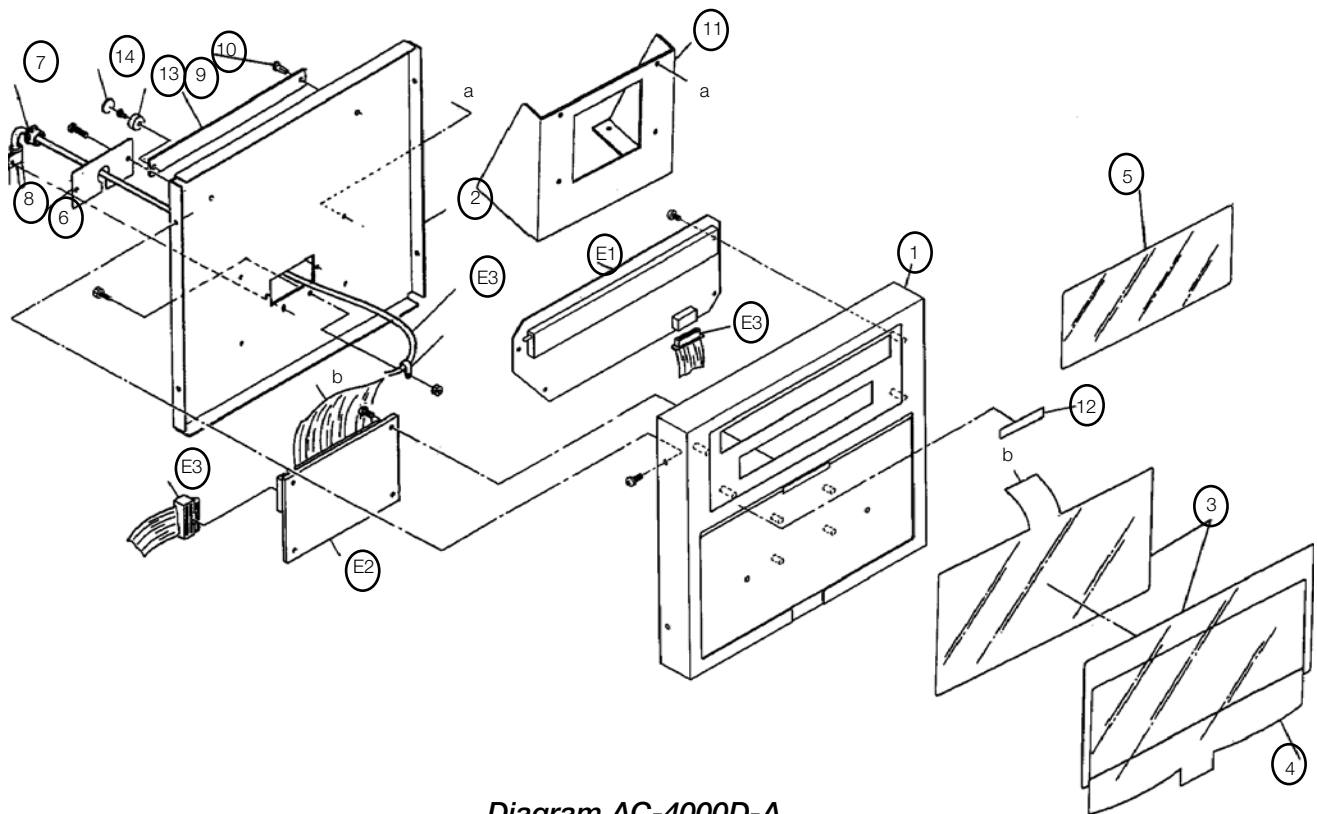


Diagram AC-4000D-A

AC-4000D

Scale Assembly

(Diagram AC-4000D-B)



Pictured with optional wrap station components.

REF #	PART #	DESCRIPTION	PRICE
1	47033 Scale platter, 00-6144-14.....	\$73.25
2	45151 Sheet, insulator	24.00
3	45144 Platter supporter	33.25
4	41706 Supporter rubber	2.50
5	47036 Rubber pad.....	1.50
6	47029 Enclosure, top cover	50.50
7	47034 Cap.....	8.75
8	42857 Level lens.....	4.25
9	Consult Push rivet, 04-9688-04	1.25
15	Consult Level assembly, 89-4136-06	11.50
16	Consult Bracket level, 89-3192-01	52.25
17	47021 Threaded rod, hex, MF	2.50
18	47022 Base	42.50
19	47019 Main body, base cover	55.00
20	47024 Leg, level adjust	3.50
23	Consult Nameplate special, 89-4416-09.....	8.50
24	Consult Plate A, 00-8183-08.....	9.50
25	Consult Plate B metal, 89-4472-08.....	11.50
27	47025 Seal.....	1.25
28	47031 Nameplate, "Ishida".....	4.75
29	42734 Push rivet.....	1.50
30	Consult Nameplate, specification, 54-2153-09.....	2.25
31	85826 Load cell assembly.....	327.75

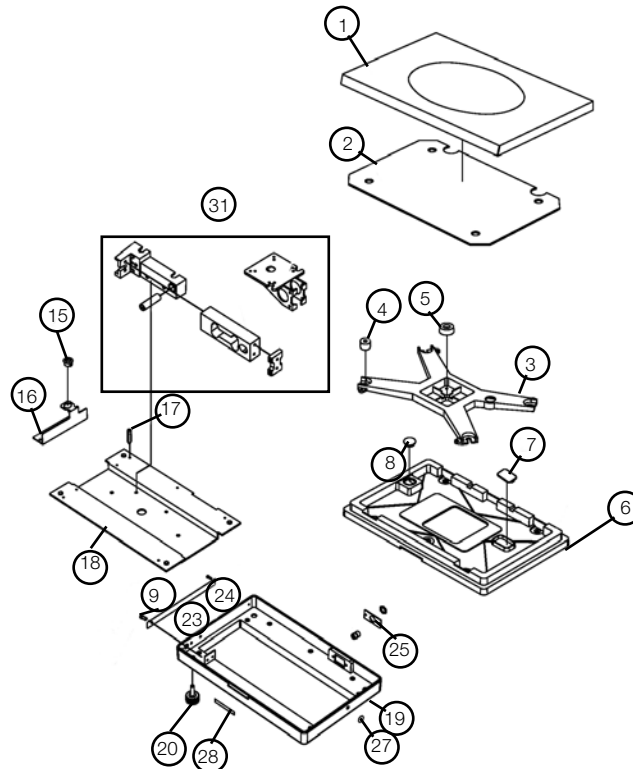


Diagram AC-4000D-B

AC-4000D

Printer Assembly

(Diagram AC-4000D-C)



Pictured with optional wrap station components.

REF #	PART #	DESCRIPTION	PRICE
1	45145 Step screw, pan	\$4.50
2	84372 Bracket, head	49.25
3	45147 Spacer, head.....	54.75
4	45159 Spring coil, compressive	1.25
6	45161 Timing pulley, XL AF	14.50
8	84063 Bearing radial, 6 mm x 10 mm SST.....	18.50
9	45175 Motor AS, stepping	154.00
10	45186 Bracket, lock head	7.75
11	45187 Frame head.....	123.50
12	45188 Threaded rod, round FF	17.75
13	45201 Guide label.....	9.50
14	45203 Spring coil, comprehensive	1.25
15	45206 Spring coil, tension.....	1.75
16	45204 Spring coil, tension.....	1.75
17	45207 Spring coil, comprehensive	3.00
18	84070 Bearing radial, 5 mm ID x 10 mm OD SST	15.75
19	45209 Spacer	9.50
20	45211 Spacer	3.00
21	45213 Collar washer	1.25
22	45214 Collar washer	1.25
23	45216 Collar washer	1.50
24	45217 Winding sleeve.....	4.50
25	45218 Shaft, winding	49.25
26	44224 Pin, Type U.....	8.75
28	45221 Shaft, fulcrum.....	3.50
29	45222 Shaft, lock.....	10.75
30	45223 Threaded rod, round FF	4.75
31	45224 Roller, printer.....	15.50
32	Consult Peeling bar, 89-2681-02.....	20.00
33	45226 Table, label.....	6.75
34	45227 Label press	1.50
35	45228 Timing pulley 12 x LO 37.....	5.50
36	45229 Timing pulley, XL AF	11.50
37	45232 Guide label.....	1.75
40	45233 Receipt cutter	30.50
41	45124 Cord bushing	1.50
42	47041 Nameplate, explanation.....	62.25
43	Consult Decal CE, 89-3420-01	1.25
44	47042 Plate B, frame	24.25
45	50288 Frame, drive R.....	17.25
46	50287 Frame, drive	23.00
47	Consult Door for printer, 89-4445-07	130.25
48	Consult Side cover, 89-4448-08	82.25
49	Consult Front cover, 89-4446-01	138.50
50	Consult Rear cover, 89-4449-01	70.75
51	Consult Frame printer, 95-4136-15	212.25
52	47050 Hinge	18.50
53	85827 Timing belt	18.75
54	47052 Bracket, lever open	49.25
55	Consult Plate A, 89-4438-01.....	9.50

(Continued on next page)

AC-4000D

Printer Assembly

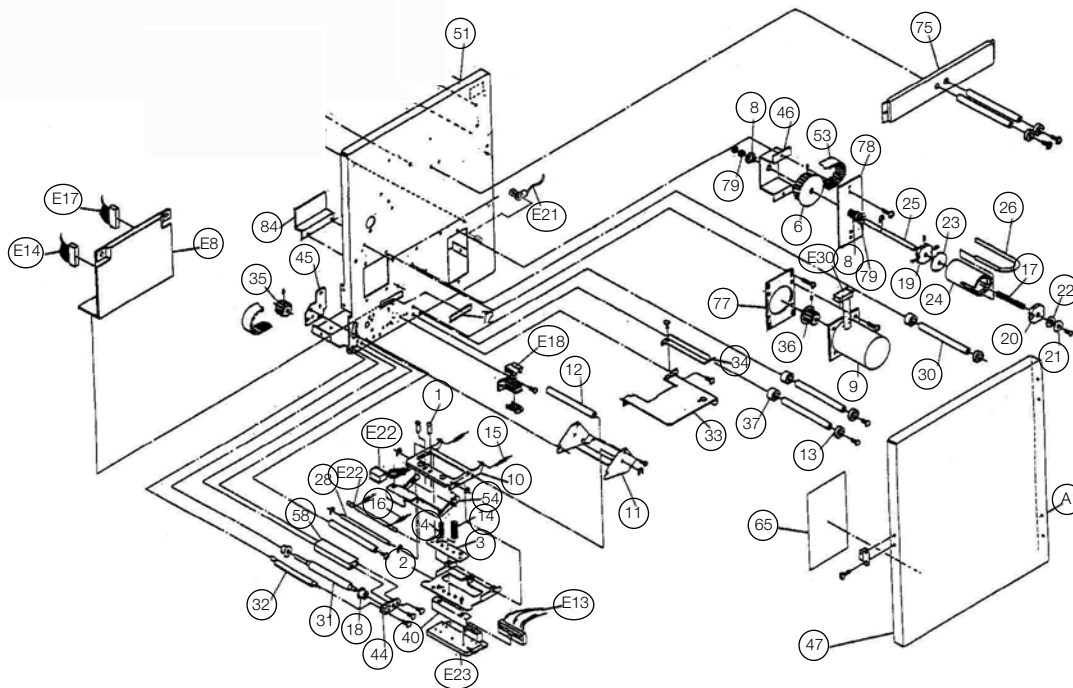
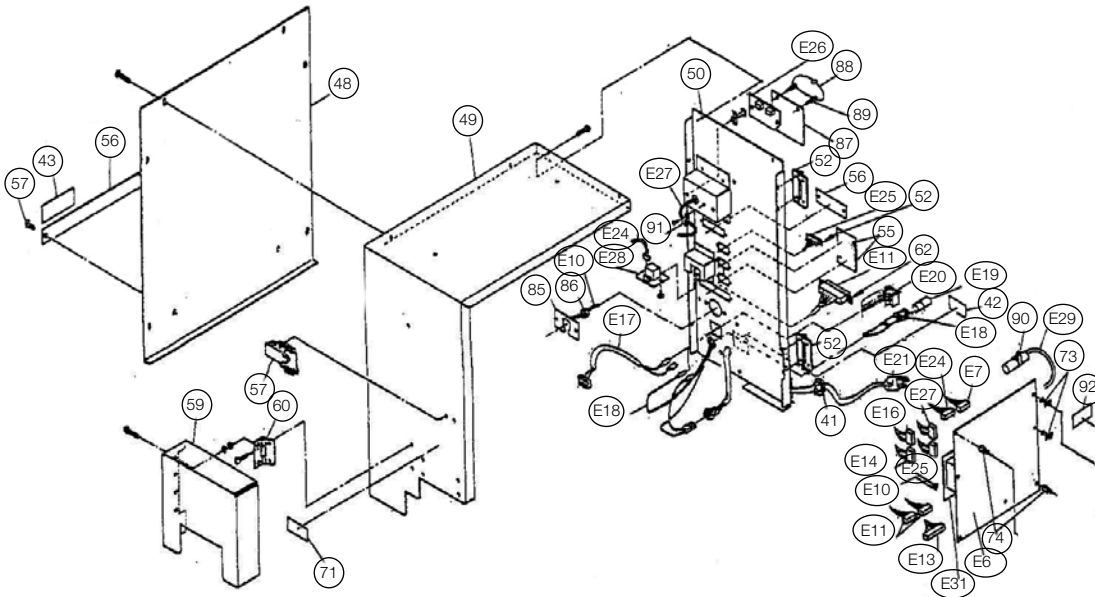


Diagram AC-4000D-C

AC-4000D

Printer Assembly

(Diagram AC-4000D-C)



Pictured with optional wrap station components.

REF #	PART #	DESCRIPTION	PRICE
56		Consult Plate A, 89-4437-07.....	\$7.50
57	47055 Lock, snap	44.75
59		Consult Printer cover, 89-4447-04	94.75
60	47057 Hinge	59.50
62	45173 Threaded rod, hex, MF	9.50
63	45181 Nameplate, specification	29.75
65		Consult Instruction, "label threading", 89-4435-00	8.50
66		Consult Nameplate, special, 89-4416-09	8.50
67	42861 Push rivet, white nylon.....	1.50
68	47059 Block A	123.50
71	47062 Magnet sheet.....	11.50
72		Consult Accessory, bush universal, 50-0582-16.....	2.25
73		Consult Spacer, 89-4492-02	4.25
74		Consult Hexagonal bar, 89-4493-06	2.25
75	47065 Bracket, label	49.25
77	50284 Bracket, motor	17.25
78	50283 Bracket, winding	17.25
79	45160 Collar washer	1.25
84		Consult Bracket, guard belt, 52-0428-10	34.50
85		Consult Plate B metal, 89-4472-08.....	11.50
86	44426 Cord, bush.....	1.25
87		Consult Plate A, 89-4450-06.....	12.50
88		Consult Sealing wire with lead, 89-1460-02	2.25
89	45128 Screw, sealing brass	9.75
90	66390 Accessory, clamp	1.25
91		Consult Nylon clamp, 89-4494-00	1.25
92	80992 Sticker, caution.....	1.25
E6	82920 PWB, PK-950B, CPU board, 2M (obsolete).....	983.00
--	107694 PWB PK-950B-a CPU board, 2M, from s/n 811xxxx and B0401U or later.....	983.00
E7	85828 Harness, C2 sensor	12.50
E8	85829 Power supply	135.25
E10	85830 Harness for weighing unit	69.75
E11	85831 Harness, C3, console.....	80.25
E13	45238 Harness, SW, thermal head.....	14.75
E14	47073 Harness, S2, PS.....	29.75
E16	66354 Label sensor assembly.....	31.00
E17	45244 Harness, C3, PS	4.75
E18	45241 Fuse, AS	15.25
E19	80993 Fuse.....	1.25
E20	66398 Switch.....	10.75
E21	85832 Power cord	18.75
E22	80953 Photo reflector, peeling sensor	44.75
E23	45237 Printer, thermal printhead	224.00
--	48239 Screw, button head, M3x6, printhead mount.....	Consult
E24	84072 Harness, S2, TCP/IP	6.00
E25	84033 Harness, C2, RS-232C	21.00
E26	80955 PWB, PK-236, calibration switch.....	16.75
E27	80956 Harness, C2, span	5.25
E28	80967 PWB PK-232 TCP/IP	40.75
E29	80971 Battery	44.75
E30	84073 Harness motor	4.50
E31	80973 PWB PK-229 (A/D Board)	211.25
--	114042 PWB PK-229 (A/D Board), with ground wire.....	Consult

AC-4000D

Printer Assembly

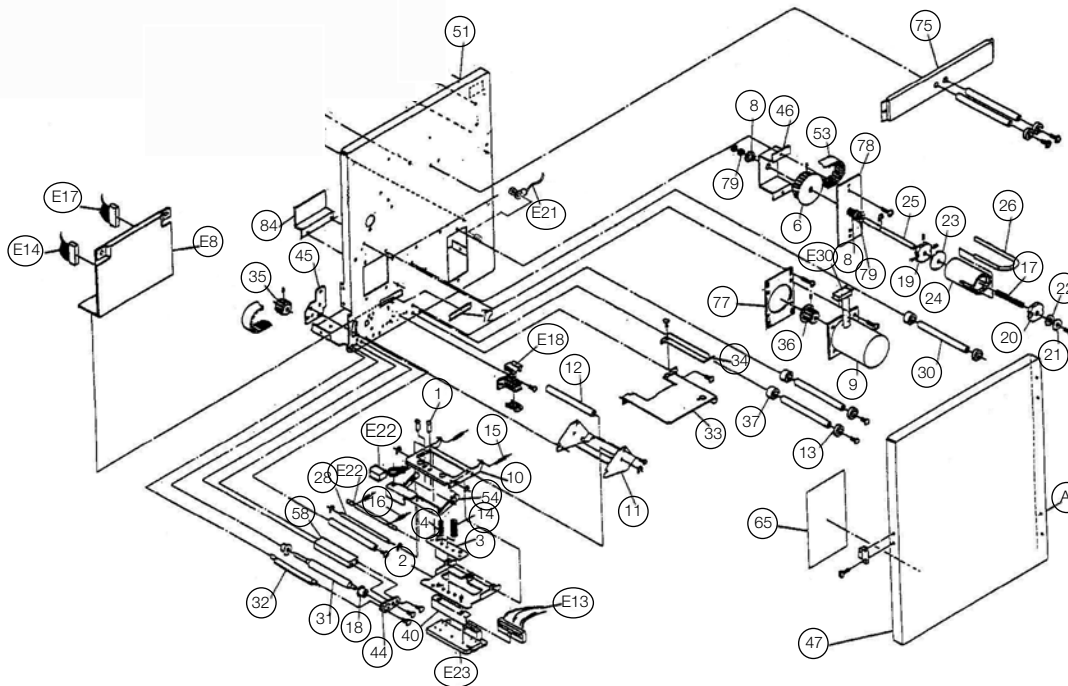
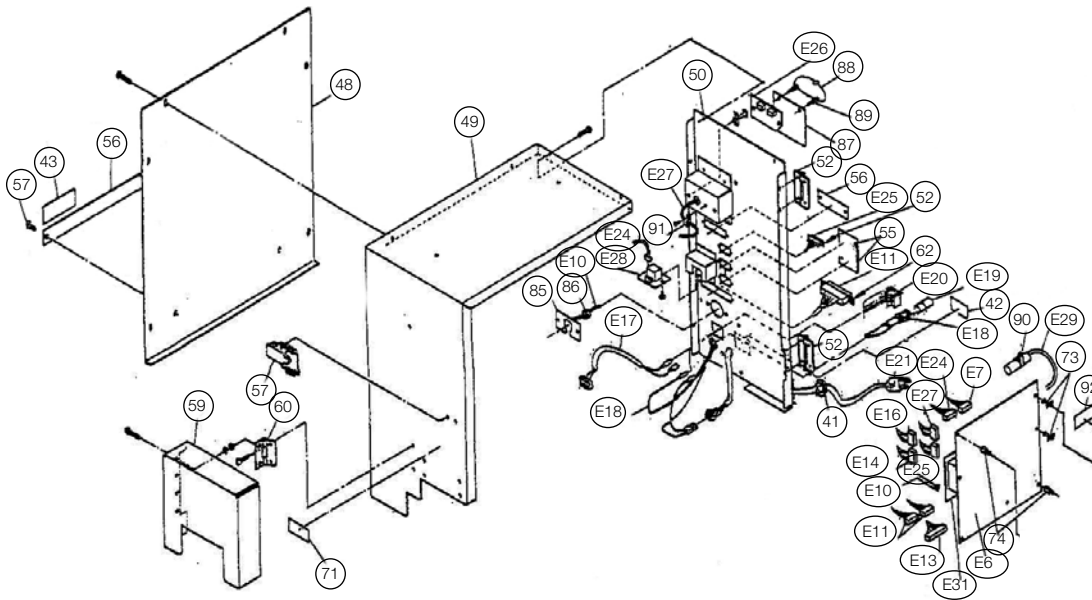


Diagram AC-4000D-C