

AC-3000B

Mechanical Assembly



Part Number/Price

Ref#	Part#	Description	Price
1	45138	Base, main body, 40-1039-14	Consult
2	45139	Cover, main body, upper, 40-1038-11	Consult
3	45140	Panel, keyboard, 40-1040-00	Consult
4	45141	Cover, printer, upper, 40-1041-03	Consult
5	45142	Cover, printer, side, 40-1042-07	Consult
6	45143	Block B, printer, 40-1044-13	Consult
7	45144	Platter supporter, 00-6131-07	Consult
8	45145	Step screw, pan, 36-0942-00	Consult
9	45146	Bracket, head, 39-4218-11	Consult
10	45147	Spacer, head, 39-4271-29	Consult
11	45148	Bracket, keyboard, 38-3999-25	Consult
12	45149	Plate B, 38-3986-27	Consult
13	45150	Plate B, 38-3987-11	Consult
14	45151	Sheet insulator, 89-1175-10	Consult
17	45154	Guide, 36-2604-08	Consult
20	45157	Threaded rod, hex, MF, 40-3635-02	Consult
21	45158	Platter, 40-3636-15	Consult
22	45159	Spring, coil, compressive, 08-7049-06	Consult
23	45160	Collar, washer, 02-8254-03	Consult
24	45161	Timing pulley, XL, AF, 00-6547-02	Consult
25	45162	Motor spacer, 00-6181-03	Consult
26	42857	Lens, 89-1219-01	Consult
27	45164	Level assembly, bubble, window, 11-2855-01	Consult
28	45165	Radial bearing, 00-3685-02	Consult
30	45167	Supporter rubber, 00-6142-08	Consult
31	45168	Rubber pad, 01-4849-07	Consult
32	45168	Leg, adjusting, 23-3052-14	Consult
33	45169	PWB accessory, collar bushing, 18-9618-01	Consult
34	45170	PWB accessory, collar bushing, 00-1973-08	Consult
36	45172	Collar, 01-3951-01	Consult
37	45173	Threaded rod, hex, MF, 39-4383-13	Consult
38	45174	Push rivet, 36-3442-05	Consult
39	45175	Motor assembly, stepping, 40-3898-14	Consult
51	45183	Cover, printer, F, 40-1043-01	Consult
55	45186	Bracket, lock head, 36-2504-27	Consult
56	45187	Frame, head, 36-2505-30	Consult
57	45188	Threaded rod, round, FF, 36-2507-00	Consult

(Diagram AC-3000B-A)

AC-3000B

Mechanical Assembly



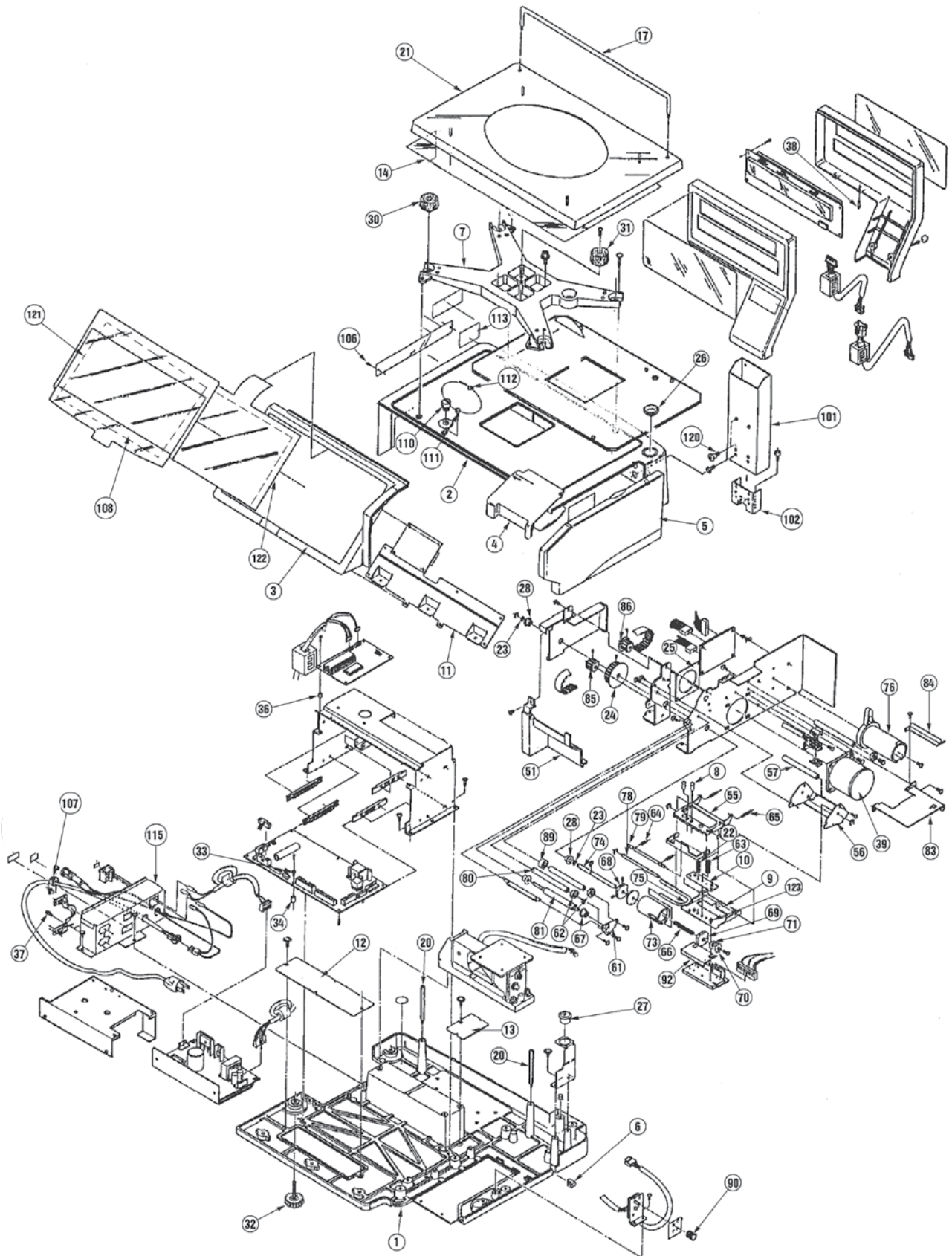
Part Number/Price

Ref#	Part#	Description	Price
61	45199	Plate B, frame, 39-6588-08	Consult
62	45201	Guide label, 20-6991-11	Consult
63	45203	Spring, compressive coil, 00-6375-09	Consult
64	45204	Spring, tension coil, 00-6376-02	Consult
65	45206	Spring, tension coil, 00-6377-06	Consult
66	45207	Spring, compressive coil, 00-6213-18	Consult
67	44330	Bearing radial, 00-3682-01	Consult
68	45209	Spacer, 89-2178-05	Consult
69	45211	Spacer, 89-2179-09	Consult
70	45213	Collar, washer, 00-6506-00	Consult
71	45214	Collar, washer, 00-6306-01	Consult
73	45217	Bobbin, 42-1273-05	Consult
74	45218	Winding shaft, 00-6185-17	Consult
75	44224	Pin, U-shaped, 00-6186-01	Consult
76	45219	Bobbin, label, 17-3305-07	Consult
78	45221	Shaft, fulcrum, 00-6168-13	Consult
79	45222	Shaft, lock, 49-6373-12	Consult
80	45223	Threaded rod, round, FF, 50-6308-04	Consult
81	45224	Roller printer, 42-1238-04	Consult
83	45226	Table, label, 40-3638-12	Consult
84	45227	Label press, 00-6188-09	Consult
85	45228	Timing pulley, 12XL037, 00-6545-05	Consult
86	45229	Timing pulley, XL, AF, 41-1527-03	Consult
89	45232	Guide label, 08-7084-43	Consult
92	45233	Cutter, receipt, 89-1359-05	Consult
101	45120	Pole, display, 44-3756-18	Consult
102	45119	Bracket, pole display, 40-1346-36	Consult
106	42734	Push rivet, 00-4761-06	Consult
107	45124	Bushing cable, 43-3820-07	Consult
108	46993	Keysheet, operator, 40-3654-21	Consult
110	45128	Screw, 00-6609-00	Consult
111	45129	Seal screw, 01-4678-07	Consult
112	42735	Sealing, stamp, 89-1457-01	Consult
113	45131	Nameplate, explanation, 24-0761-09	Consult
115	48261	Bracket, connector, 39-1639-15	Consult
120	45137	Step, screw, 89-1486-09	Consult
121	47225	Keyboard sheet, transparent, includes adhesive spacer, 40-365-01	Consult
122	47226	Spacer adhesive, transparent sheet, 40-3658-08	Consult
123	41633	Screw, cap, M3x6, cross truss, 02-1922-02	Consult

(Diagram AC-3000B-A)

AC-3000B

Mechanical Assembly



AC-3000B-A

Parts not listed are no longer available. Some parts listed may not be available.

An ISO 9001 registered company ©2019 Rice Lake Weighing Systems 05/19 Prices and specifications subject to change without notice. Visit ricelake.com for current prices.