

AC-3000B

Electrical Assembly



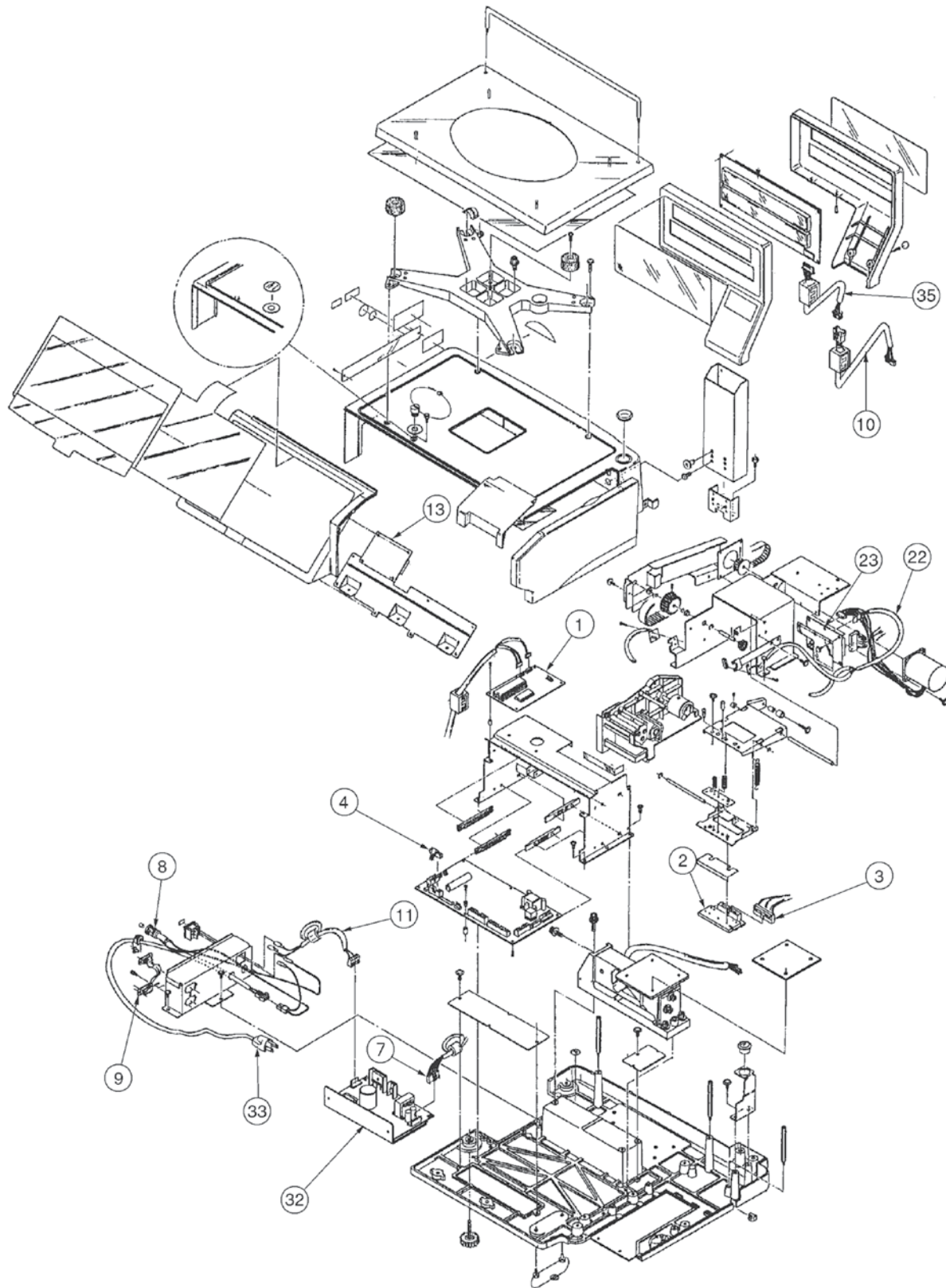
Part Number/Price

Ref#	Part#	Description	Price
2	45237	Thermal, print head, 36-2636-16	Consult
—	48239	Screw, button head, M3x6, printhead mount	Consult
3	45238	Harness, SW, thermal head, 36-3354-10	Consult
4	46998	Harness, S2, key, 36-3355-04	Consult
7	45240	Harness, S2, PS, 36-3359-18	Consult
8	45241	Fuse, assembly, 36-3404-12	Consult
9	45242	Harness, C3, I2NET, 38-6512-08	Consult
10	47001	Harness, C2, display 1, 38-3898-04	Consult
11	45244	Harness C3, PS, 36-3405-16	Consult
13	47006	PWB, buzzer board, P-862, 89-0450-57	Consult
22	47004	Sensor Unit, label, 39-1585-27	Consult
23	46997	PWB, sensor board, P-838A, without interrupter, 43-2052-00	Consult
—	47221	Fuse, pico, 1A, 125V, 38-6725-04, 50-6040-07	Consult
32	77975	Power supply, switching, SWD 100P 102-9575-06	Consult
—	77889	Fuse, power supply, 5A, 250V, 5x20	Consult
33	45133	Harness, C3, PS, 6 ft 40-3871-14	Consult
35	47002	Harness, C2, display 2, 42-1183-12, 40-3870-01	Consult

(Diagram AC-3000B-B)

AC-3000B

Electrical Assembly



AC-3000B-B

Parts not listed are no longer available. Some parts listed may not be available.

An ISO 9001 registered company ©2019 Rice Lake Weighing Systems 05/19 Prices and specifications subject to change without notice. Visit ricelake.com for current prices.