

# IQ Plus® 2100

Digital Bench Scale



*IQ plus 2100 with attachment bracket*



*IQ plus 2100 with column*



*IQ plus 2100 with tilt stand*

## Standard Features

- NEMA Type 4X/IP66
- 304 stainless steel construction
- Large, bold 0.8 in LED display
- Status annunciators: lb, kg, oz, g, negative, motion, center of zero
- One full-duplex RS-232 port
- Two digital inputs for remote zero, print and units
- 12 in column, attachment bracket or tilt stand for table, wall or under counter mounting
- Aluminum, single-point load cell
- Overload and upload stops on scale base
- Stainless steel, non-tactile feel, piezo zero and units buttons
- Unit of measure: kg, gm, lb, oz, lb/oz (lb/oz is not Legal for Trade)
- PreVent™ breather vent
- Factory calibrated

## Specifications

**Power:**  
Line Voltage 115 VAC

**Frequency:**  
50/60 Hz

**Power Consumption:**  
70 mA at 115 VAC (8 W)

**Display Resolution:**  
10,000 graduations maximum

**Digital Inputs:**  
Two inputs, TTL or switch closure, active-low

**Scale Frame:**  
AISI304L, straight line finish, Ra=45 ± 10

**Scale Cover:**  
AISI304L, straight line finish, Ra=45 ± 10

**Serial Communications:**  
Full-duplex RS-232; 9600, 4800, 2400, 1200 bps; seven or eight data bits; even, odd or no parity

**Display:**  
Six-digit light-emitting diode (LED) display  
Seven-segment, 0.8 in (20 mm) digits

**LED Annunciators:**  
Negative value, center of zero, motion, kg, g, lb, oz

**Keypad:**  
Two stainless steel piezo switches

**Operating Temperature:**  
14 °F to 104 °F (-10 °C to 40 °C)

**Rating/Material:**  
NEMA Type 4X/IP66, stainless steel

**Load Cell:**  
Aluminum, environmentally sealed

**Warranty:**  
Two-year limited

**Approvals:**  
**Indicator:**  
NTEP CC 00-045 Class III/IIIL 10,000 d  
Measurement Canada AM-5374;  
cULus listed

**Base:**  
NTEP CC 95-072, Class III 5,000 d

## Approvals

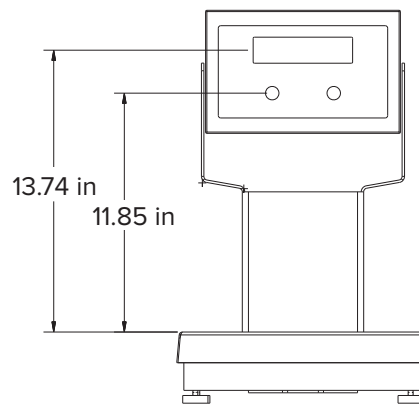
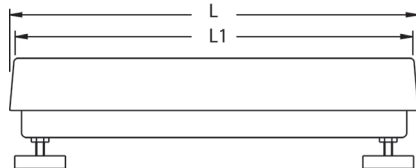


Measurement  
Canada  
Approved

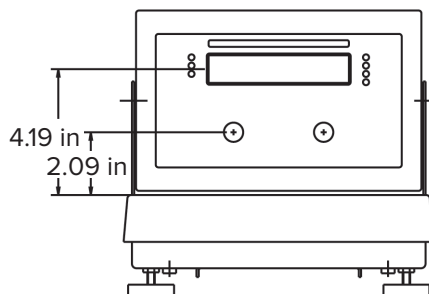
## Dimensions

| Platform Dimensions | L        | L1    |
|---------------------|----------|-------|
| 10 × 10 in          | 10.25 in | 10 in |
| 12 × 12 in          | 12.25 in | 12 in |

Note: 1 in=25.4 mm



*With 12 in column*



*With attachment bracket*

### Part Number/Price

| Part #  | Capacity   | Platform Size* | Est. Weight | Price   |
|---|--|----------------|-------------|---------|
| <b>IQ plus 2100 with tilt stand - 115 VAC</b>         |  |                |             |         |
| <b>63053<sup>†</sup></b>                              | 5 × 0.001 lb (2.5 × 0.0005 kg) (2,500 × 0.5 g) (80 × 0.02 oz)  | 10 × 10 in     | 23 lb       | Consult |
| <b>63052<sup>†</sup></b>                              | 10 × 0.002 lb (5 × 0.001 kg) (5,000 × 1 g) (160 × 0.05 oz)     | 10 × 10 in     | 23 lb       | Consult |
| <b>63051<sup>†</sup></b>                              | 25 × 0.005 lb (10 × 0.002 kg) (10,000 × 2 g) (400 × 0.10 oz)   | 10 × 10 in     | 23 lb       | Consult |
| <b>63050<sup>†</sup></b>                              | 50 × 0.01 lb (25 × 0.005 kg) (25,000 × 5 g) (800 × 0.20 oz)    | 12 × 12 in     | 26 lb       | Consult |
| <b>63049<sup>†</sup></b>                              | 100 × 0.02 lb (50 × 0.01 kg) (50,000 × 10 g) (1,600 × 0.50 oz) | 12 × 12 in     | 26 lb       | Consult |
| <b>IQ plus 2100 with attachment bracket - 115 VAC</b> |  |                |             |         |
| <b>63043<sup>†</sup></b>                              | 5 × 0.001 lb (2.5 × 0.0005 kg) (2,500 × 0.5 g) (80 × 0.02 oz)  | 10 × 10 in     | 23 lb       | Consult |
| <b>63042<sup>†</sup></b>                              | 10 × 0.002 lb (5 × 0.001 kg) (5,000 × 1 g) (160 × 0.05 oz)     | 10 × 10 in     | 23 lb       | Consult |
| <b>63041<sup>†</sup></b>                              | 25 × 0.005 lb (10 × 0.002 kg) (10,000 × 2 g) (400 × 0.10 oz)   | 10 × 10 in     | 23 lb       | Consult |
| <b>63040<sup>†</sup></b>                              | 50 × 0.01 lb (25 × 0.005 kg) (25,000 × 5 g) (800 × 0.20 oz)    | 12 × 12 in     | 26 lb       | Consult |
| <b>63039<sup>†</sup></b>                              | 100 × 0.02 lb (50 × 0.01 kg) (50,000 × 10 g) (1,600 × 0.50 oz) | 12 × 12 in     | 26 lb       | Consult |
| <b>IQ plus 2100 with 12 in column - 115 VAC</b>       |  |                |             |         |
| <b>63048<sup>†</sup></b>                              | 5 × 0.001 lb (2.5 × 0.0005 kg) (2,500 × 0.5 g) (80 × 0.02 oz)  | 10 × 10 in     | 25 lb       | Consult |
| <b>63047<sup>†</sup></b>                              | 10 × 0.002 lb (5 × 0.001 kg) (5,000 × 1 g) (160 × 0.05 oz)     | 10 × 10 in     | 25 lb       | Consult |
| <b>63046<sup>†</sup></b>                              | 25 × 0.005 lb (10 × 0.002 kg) (10,000 × 2 g) (400 × 0.10 oz)   | 10 × 10 in     | 25 lb       | Consult |
| <b>63045<sup>†</sup></b>                              | 50 × 0.01 lb (25 × 0.005 kg) (25,000 × 5 g) (800 × 0.20 oz)    | 12 × 12 in     | 28 lb       | Consult |
| <b>63044<sup>†</sup></b>                              | 100 × 0.02 lb (50 × 0.01 kg) (50,000 × 10 g) (1,600 × 0.50 oz) | 12 × 12 in     | 28 lb       | Consult |



<sup>†</sup> NEMA 5-15 plug