

# DP-3000



*Pictured with optional hand-wrap station, wipe-off applicator, POP label printer.*

**Price and availability confirmation recommended**

An ISO 9001 Registered Company © 2020 Rice Lake Weighing Systems 04/01/20 Prices and specifications subject to change without notice. Visit [ricelake.com](http://ricelake.com) for current prices.

**RICE LAKE**  
WEIGHING SYSTEMS

Discontinued Products

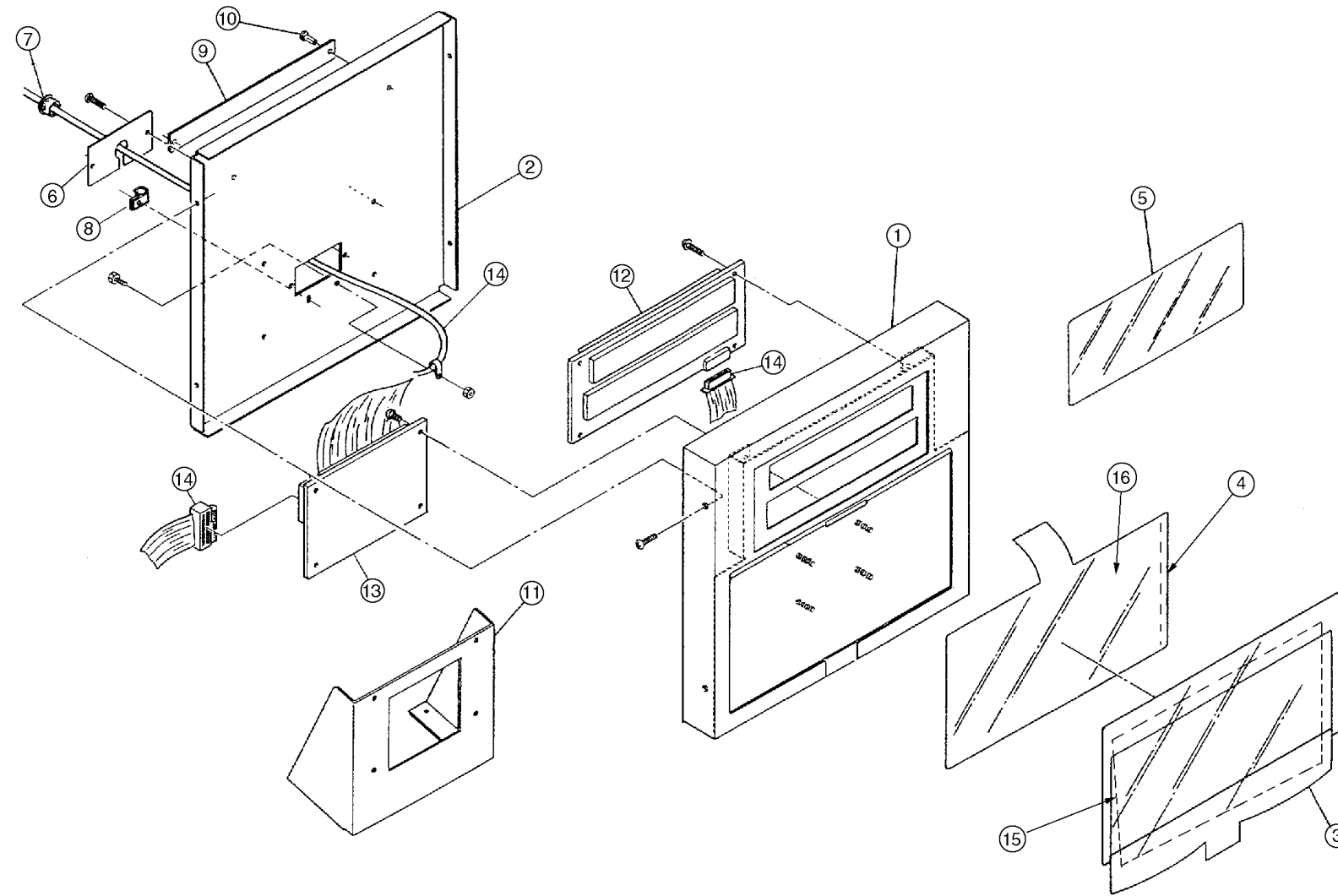
# Operation Unit

## Part Number/Price

REF #	PART #	DESCRIPTION	SYNONYM	PRICE
1	47011	Housing	44-8249-32	\$313.95
2	47012	Bracket, display	44-8251-59	\$211.00
3	46993	Keysheet, operator	40-3654-21	\$4.25
4	47226	Adhesive spacer	40-3658-08	\$9.10
5	47013	Panel, display	50-2585-23	82.95
6	47014	Plate B	47-3201-10	\$12.25
7	47015	Bushing, open lock	13-8916-01	\$2.25
8	47016	Clamp, nylon	02-3689-01	1.00
9	47035	Name plate specification	50-2586-09	5.25
10	42734	Push rivet	00-4761-06	\$1.00
11	50290	Stand	47-3972-36	\$71.00
12	50289	Display, fluorescent, dot matrix	60-8741-01	\$519.75
13	47006	Board, buzzer P-862	50-6320-00	\$67.75
14	47018	Harness, C3, console	52-0206-01	\$235.00
--	15777	37 Pin D-sub hood		\$4.00
15	47225	Transparent sheet, includes adhesive spacer	40-3656-01	\$18.50
16	46994	Sheet, keyboard assembly	40-3655-07	\$85.00

# DP-3000

Operation Unit



# Scale Unit

## Part Number/Price

REF #	PART #	DESCRIPTION	SYNONYM	PRICE
1	47019	Case, lower	02-5005-01	\$118.00
2	47020	Bracket, PWB	50-6303-06	\$18.45
3	47021	Threaded rod, hex, MF	02-5011-04	\$6.00
4	47022	Base, weigh	02-5012-17	\$55.00
5	47023	Metal bracket	02-5013-01	\$4.70
6	47024	Level, adjusting leg	01-4845-02	\$4.00
7	47025	Seal	01-6314-09	\$1.25
8	47026	Metal fitting unit	02-5052-07	\$20.00
9	47027	Spacer, power supply board	00-1796-05	\$1.00
10	47028	Bushing cable	02-3151-05	\$5.50
11	42734	Push rivet	00-4761-06	\$1.00
13	47029	Enclosure	02-5006-05	\$70.00
14	47030	Load cell, CLC-25N	47-3068-01	\$359.00
15	47031	Name plate	32-4927-09	\$4.75
16	42735	Sealing with wire	22-3922-08	\$2.00
17	47032	Step screw, M4x10 SST	20-3677-01	\$23.00
18	45144	Platter supporter	00-6131-07	\$35.00
19	42733	Seal	44-6797-02	\$10.00
20	47033	Scale platter	00-6144-14	\$73.25
21	41706	Platter supporter, rubber	02-5050-00	\$2.00
23	47034	Cap	02-5007-09	\$16.00
24	42857	Cap, window	41-1971-13	\$3.00
25	47035	Name plate, specification	50-2586-09	\$5.25
26	47036	Rubber pad	00-3926-00	\$2.00
28	47326	Screw, M4x18, panhead	03-2566-01	\$1.00
29	70104	Board, A/D, P-830A	35-1209-54	\$216.30
30	47038	Harness, C3, scale 1	47-3162-18	\$103.95

Price and availability confirmation recommended

An ISO 9001 Registered Company © 2020 Rice Lake Weighing Systems 04/01/20 Prices and specifications subject to change without notice. Visit [ricelake.com](http://ricelake.com) for current prices.

**RICE LAKE**  
WEIGHING SYSTEMS

Discontinued Products



# Printer

## Part Number/Price

REF #	PART #	DESCRIPTION	SYNONYM	PRICE
1	45145	Step screw, panhead, M4x12	36-0942-00	\$4.50
2	45146	Bracket, head	50-6167-15	\$49.25
3	45147	Spacer, head	39-4271-29	\$54.75
4	45159	Spring, compressive coil	08-7049-06	\$1.25
6	45161	Timing pulley, XL, AF 24xL037	00-6547-02	\$14.50
8	45165	Bearing, radial	00-3685-02	\$15.70
9	45175	Motor assembly, stepping with harness	40-3898-14	\$154.00
10	45186	Bracket, lock, head	36-2504-27	\$7.75
11	45187	Frame, head	36-2505-30	\$123.50
12	45188	Threaded rod, round, FF	36-2507-00	\$17.75
13	45201	Guide, media	20-6991-11	\$9.50
14	45203	Spring, compressive coil	00-6375-09	\$1.25
15	45204	Spring, tension coil	00-6376-02	\$1.75
16	45206	Spring, tension coil	00-6377-06	\$1.75
17	45207	Spring, coil compression	00-6213-18	\$12.00
18	44330	Bearing, radial	00-3682-01	\$15.95
19	45209	Spacer	89-2178-05	\$9.50
20	45211	Spacer	89-2179-09	\$3.00
21	45213	Washer, collar	00-6506-00	\$1.25
22	45214	Washer, collar	00-6306-01	\$1.25
23	45216	Washer, collar	00-6184-04	\$1.50
24	45217	Bobbin	42-1273-05	\$4.50
25	45218	Shaft, winding	50-6304-28	\$49.25
26	44224	Pin, U-shaped	00-6186-01	\$8.75
28	45221	Shaft, fulcrum	00-6168-13	\$3.50
29	45222	Shaft, lock	49-6373-12	\$82.00
30	45223	Threaded rod, round, FF	50-6308-04	\$4.75
31	45224	Roller, printer	42-1238-04	\$15.50
32	45225	Peeling bar	02-8253-00	\$36.30
33	45226	Table, label	40-3638-12	\$6.75
34	45227	Press label	00-6188-09	\$1.50
35	45228	Timing pulley, 12XL037	00-6545-05	\$5.50
36	45229	Timing pulley, XL, AF	41-1527-03	\$11.50
37	45232	Guide, media	08-7084-43	\$1.75
38	46987	Knob, round, K-8075, 3.3	00-2982-05	\$2.20
39	46988	Name plate, operation	00-6671-01	\$2.75
40	45233	Cutter, receipt	89-1359-09	\$30.50
41	45124	Bushing, cable accessory	43-3820-07	\$1.50
42	47041	Plate, explanation	50-0532-01	\$62.25
43	46995	Name plate, specification	50-0530-03	\$31.50
44	47042	Plate B, frame	46-7423-08	\$24.25
45	50288	Frame, drive, R	50-6306-25	\$17.25
46	50287	Frame, drive	50-6312-19	\$23.00

Price and availability confirmation recommended

An ISO 9001 Registered Company © 2020 Rice Lake Weighing Systems 04/01/20 Prices and specifications subject to change without notice. Visit [ricelake.com](http://ricelake.com) for current prices.

**RICE LAKE**  
WEIGHING SYSTEMS

Discontinued Products

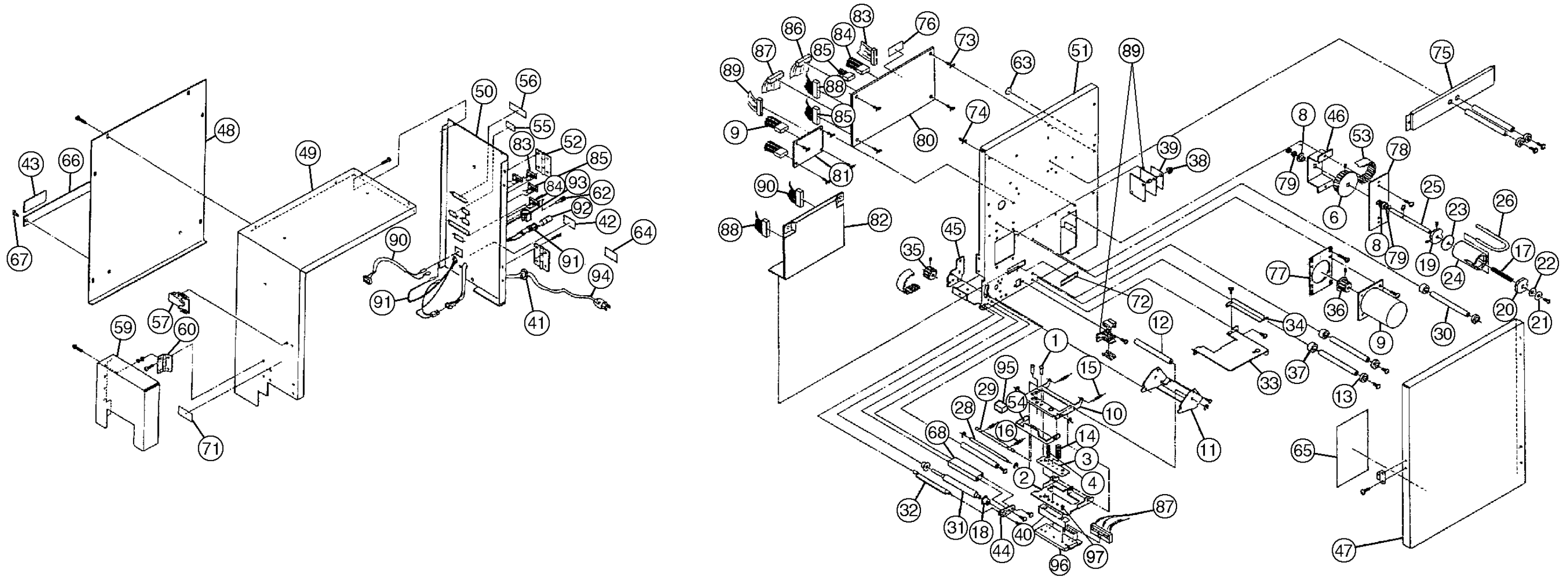
# Printer

## Part Number/Price

REF #	PART #	DESCRIPTION	SYNONYM	PRICE
47	47045	Cover, side, right	46-2567-49	\$113.40
48	47046	Cover, side, left	46-2566-45	\$148.05
49	47047	Cover, front	46-2568-89	\$213.15
50	47048	Cover, rear	46-2569-64	\$97.65
51	50286	Frame, printer	50-6309-44	\$110.25
52	47050	Hinge, printer	06-0103-04	\$18.50
53	47051	Timing belt, XL	03-3310-08	\$28.60
54	47052	Plate B, lever	49-6298-43	\$132.00
55	47053	Plate A, square	47-3200-07	\$15.40
56	47054	Plate A, square	01-4535-08	\$2.75
57	47055	Lock, snap printer	45-9582-07	\$44.75
59	47056	Cover, printer	46-7297-79	\$113.40
60	47057	Hinge	12-8773-09	\$59.50
62	45173	Rod, threaded, hex, MF	39-4383-13	\$9.50
63	45181	Name plate, specification	43-1783-05	\$29.75
64	45122	Name plate, fuse, operation	38-6839-05	\$0.50
65	47058	Plate, explanation	49-6297-03	\$6.35
66	47035	Name plate, specification	50-2586-09	\$5.25
67	42734	Push rivet	00-4761-06	\$1.00
68	47059	Block A	49-6438-11	\$123.50
71	47062	Magnet, sheet	50-0583-10	\$11.50
72	47063	Bushing, universal	50-0582-16	\$2.20
73	47027	Spacer, power supply board	00-1796-05	\$1.00
74	47064	Spacer card	00-1824-06	\$1.00
75	47065	Bracket, label	50-0780-17	\$49.25
76	50285	Name plate, explanation, fuse	50-0794-00	\$3.30
77	50284	Bracket, motor	50-6307-01	\$17.25
78	50283	Bracket, winding	50-6305-03	\$17.25
79	45160	Washer, collar	02-8254-03	\$1.25
80	53868	CPU board, 256K memory, P-834C	68-5174-06	\$765.00
--	47221	Fuse, pico, 1A, 125V, 38-6725-04	50-6040-07	\$8.15
--	47210	Battery, lithium	33-7701-02	\$27.50
81	47067	Sensor, peeling assembly with PCB	49-0355-04	\$220.50
82	77975	Power supply, switch, SWD 100P	102-9575-06	\$224.00
--	77889	Fuse, power supply, 5A, 250V, 5x20		\$1.25
83	47068	Harness, C3, I2NET	47-3678-03	\$74.55
84	47069	Harness, C2, scale 2	47-3159-07	\$59.85
85	47070	Harness, C3, console 2	47-3160-01	\$121.80
86	47071	Harness, S2, sensor	47-3679-07	\$67.20
87	47072	Harness, S2, thermal head	49-0331-05	\$31.90
88	47073	Harness, S2, power supply	47-3677-19	\$29.75
89	47004	Sensor, label	39-1585-27	\$47.30
90	45244	Harness, C3, power supply	36-3405-16	\$4.75
91	45241	Fuse, assembly	36-3404-12	\$15.25
92	47075	Fuse, glass tube, 5A, 250V, 3AG	33-3882-09	\$3.00
93	47076	Switch, seesaw	39-6783-08	\$13.20
94	47077	Harness, C3, power 9ft	49-2601-17	\$42.90
95	47078	Peeling sensor, photo interrupter only	35-2555-01	\$30.80
96	45237	Printhead, thermal	36-2636-16	\$224.00
97	41633	Screw, cap, M3 x 6	02-1922-02	\$1.50

# DP-3000

Printer



DP-3000

# Wipe Off Applicator

## Part Number/Price

REF #	PART #	DESCRIPTION	SYNONYM	PRICE
1	48267	Cover, front	50-0576-22	\$103.95
2	48255	Grommet, without diaphragm	17-5091-08	\$1.50
3	48274	Door, printer	50-6314-07	\$127.05
4	48280	Handle	52-6701-00	\$58.80
5	47058	Plate, explanation	49-6297-03	\$6.35

Discontinued Products

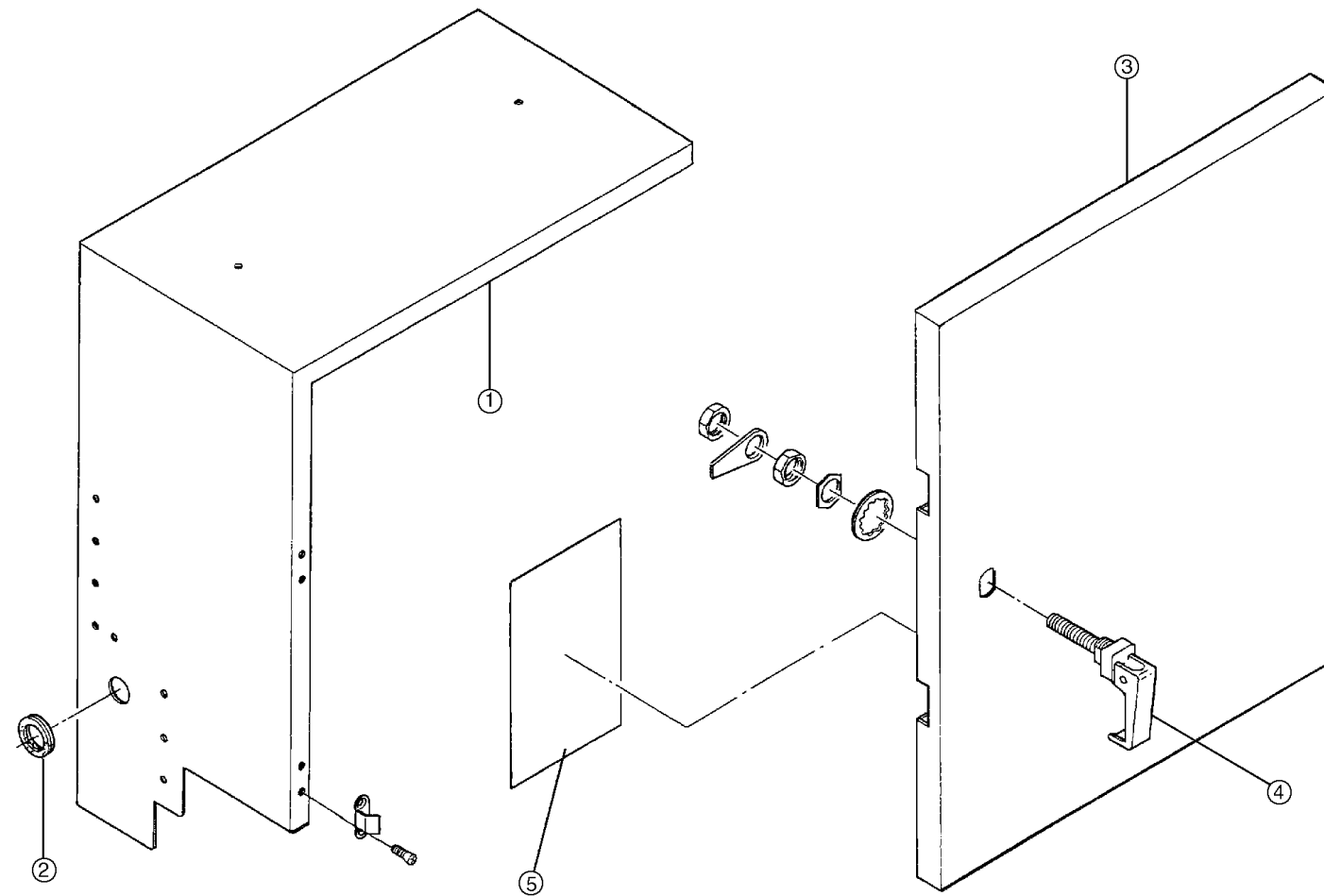
Price and availability confirmation recommended

An ISO 9001 Registered Company © 2020 Rice Lake Weighing Systems 04/01/20 Prices and specifications subject to change without notice. Visit [ricelake.com](http://ricelake.com) for current prices.

**RICE LAKE**  
WEIGHING SYSTEMS

# DP-3000

Wipe Off Applicator



DP-3000

# Wipe Off Applicator

## Part Number/Price

REF #	PART #	DESCRIPTION	SYNONYM	PRICE
1	48281	Vacuum unit	52-6745-03	\$458.85
2	48283	Cover unit, vacuum	52-6898-00	\$242.55
3	47040	Peeling bar	00-6175-01	\$20.90
4	45220	Release lever	00-6166-07	\$2.20
5	48258	Clamp, nylon accessory	34-0237-02	\$2.20
6	48238	Screw, cross truss, M4x12 button head	00-0240-08	\$1.25
7	48237	Plain washer, M4 SST	00-0142-06	\$0.50
8	42854	Lock washer, M4 SST	00-0172-08	\$1.50
9	48236	Hex nut, M4 SST, T1	00-0106-01	\$1.00
10	48284	Sensor assembly	52-9505-07	\$242.55
97	41633	Screw, cap, M3x6	02-1922-02	\$1.50

Discontinued Products

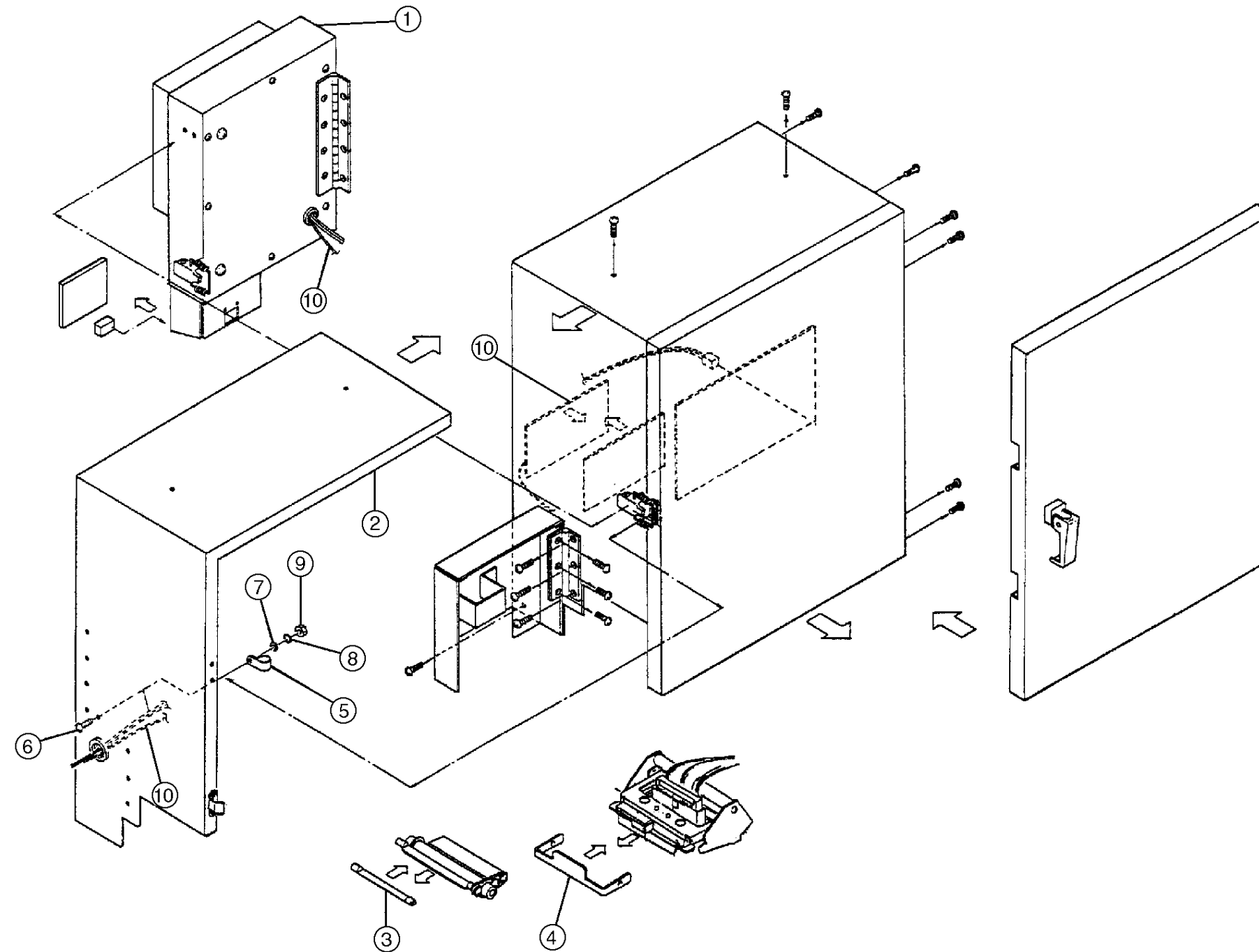
Price and availability confirmation recommended

An ISO 9001 Registered Company © 2020 Rice Lake Weighing Systems 04/01/20 Prices and specifications subject to change without notice. Visit [ricelake.com](http://ricelake.com) for current prices.

**RICE LAKE**  
WEIGHING SYSTEMS

# DP-3000

Wipe Off Applicator



DP-3000

# Wipe Off Applicator

## Part Number/Price

REF #	PART #	DESCRIPTION	SYNONYM	PRICE
1	48269	Frame, fan	50-0578-39	\$107.10
2	48266	Frame, fan, side	50-0575-10	\$34.10
3	48271	Cover, fan	50-0781-20	\$74.55
4	48268	Frame, vacuum	50-0577-26	\$118.65
5	48270	Plate A	50-0579-14	\$25.30
6	48272	Hinge	50-0898-03	\$77.70
7	48273	Damper	50-0899-07	\$3.30
8	48255	Grommet, without diaphragm	17-5091-08	\$1.50
9	47055	Lock snap	45-9582-07	\$44.75
10	48265	Fan assembly	48-0466-07	\$142.80
11	48282	Harness, C2	52-6790-01	\$15.40

Discontinued Products

Price and availability confirmation recommended

An ISO 9001 Registered Company © 2020 Rice Lake Weighing Systems 04/01/20 Prices and specifications subject to change without notice. Visit [ricelake.com](http://ricelake.com) for current prices.

**RICE LAKE**  
WEIGHING SYSTEMS

# DP-3000

Wipe Off Applicator

