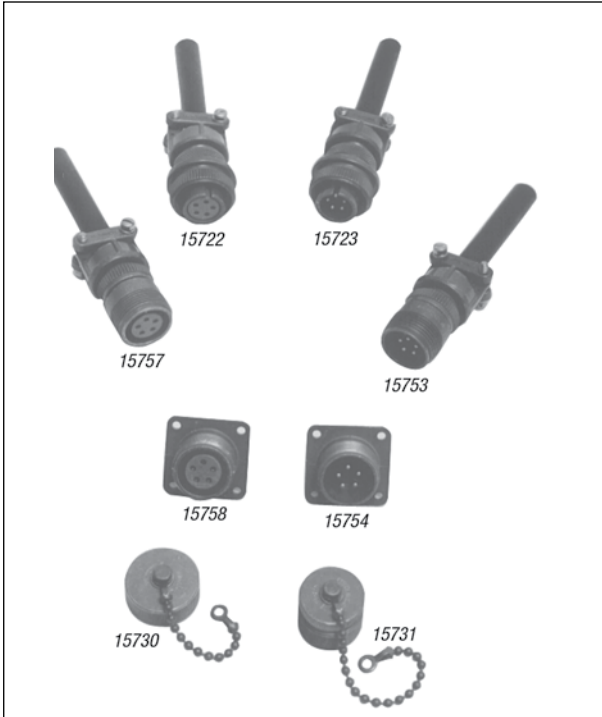
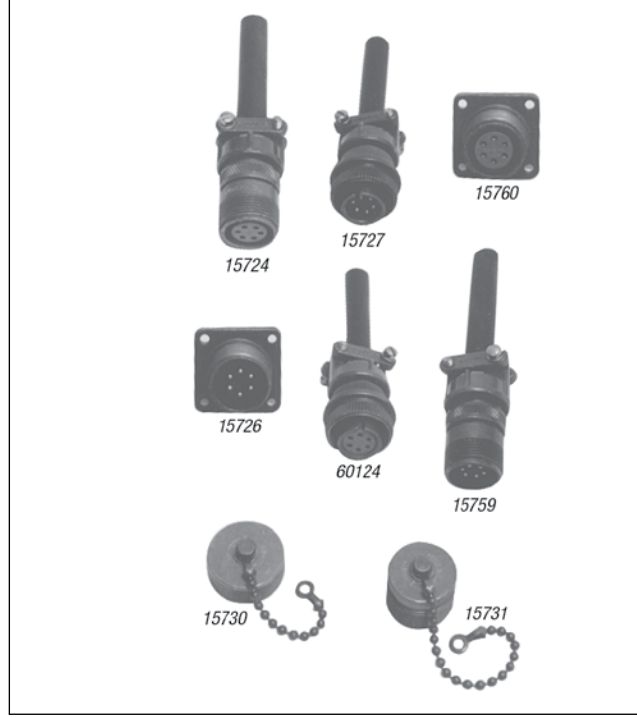


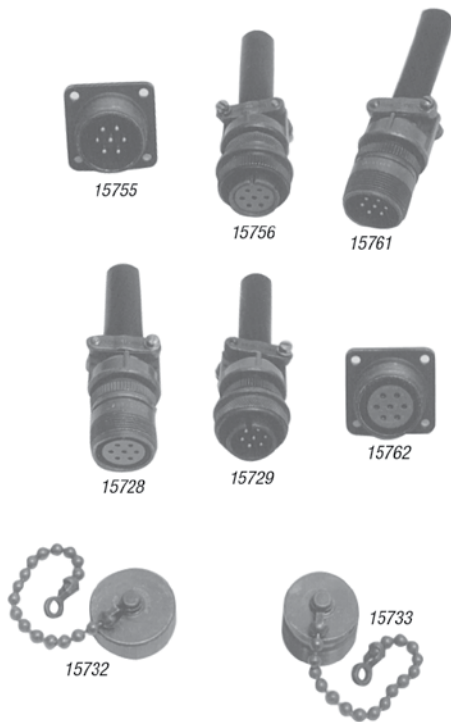
Five-Position Connectors, Shell Plugs, Receptacles



Six-Position Connectors, Shell Plugs, Receptacles



Seven-Position Connectors, Shell Plugs, Receptacles



Part Number/Price

Part #	Description	Price
15753	Five-Pin, external thread	Consult
15722	Five-socket, internal thread	Consult
15723	Five-Pin, internal thread	Consult
15757	Five-socket, external thread	Consult
15754	Five-Pin chassis mount, external thread	Consult
15758	Five-socket chassis mount, external thread	Consult
15730	Dust cap for ext. thread five-position connector	Consult
15731	Dust cap for int. thread five-position connector	Consult
15759	Six-Pin, external thread, male	Consult
60124	Six-socket, internal thread connector, female fits Toledo load cells, Condec indicators	Consult
15727	Six-Pin, internal thread, male	Consult
15724	Six-socket, external thread	Consult
15726	Six-Pin chassis mount, external thread	Consult
15760	Six-socket chassis mount, external thread	Consult
15730	Dust cap for ext. thread six-position connector	Consult
15731	Dust cap for int. thread six-position connector	Consult
15761	Seven-Pin, external thread	Consult
15756	Seven-socket, internal thread	Consult
15729	Seven-Pin, internal thread	Consult
15728	Seven-socket, external thread	Consult
15755	Seven-Pin chassis mount, external thread	Consult
15762	Seven-socket chassis mount, external thread	Consult
15732	Dust cap for ext. thread seven-position connector	Consult
15733	Dust cap for int. thread seven-position connector	Consult