

BC-3000

Electronic Assembly



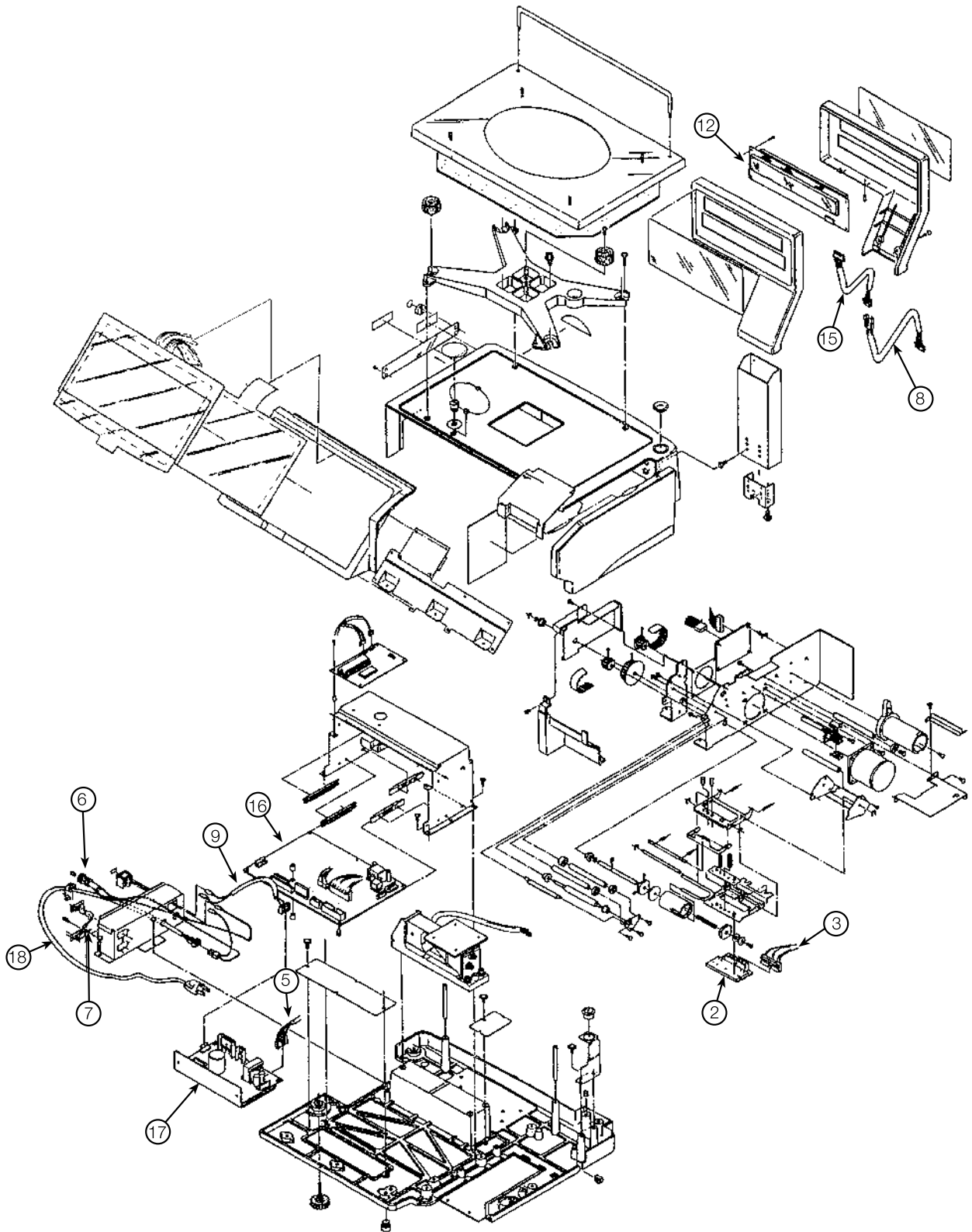
Part Number/Price

Ref#	Part#	Description	Price
2	45237	Thermal print head, 36-2636-16	Consult
—	48239	Screw, button head, M3x6, printhead mount	Consult
3	45238	Harness, SW, thermal head, 36-3354-10	Consult
5	45240	Harness, S2, 36-3359-18	Consult
6	45241	Fuse assembly, 36-3404-12	Consult
7	45242	Harness, C3, 38-6512-08	Consult
8	45243	Harness, C2, display 1, 89-0388-12	Consult
9	45244	Harness, C3, PS, 36-3405-16	Consult
12	45247	PWB, display board, P-865, 89-0521-02	Consult
15	45135	Harness, C2, display 2, 89-0445-02	Consult
16	65382	PWB, CPU board, P-864B, 89-2550-08, 89-2899-07	Consult
17	77975	Power supply, switching, SWD 100P 102-9575-06	Consult
—	77889	Power supply fuse, 5A, 5x20, 250V	Consult
18	45133	Harness, C3, PS, 40-3871-14	Consult

(Diagram BC-3000-A)

BC-3000

Electronic Assembly



BC-3000-A

Parts not listed are no longer available. Some parts listed may not be available.

An ISO 9001 registered company ©2019 Rice Lake Weighing Systems 05/19 Prices and specifications subject to change without notice. Visit ricelake.com for current prices.