

# AC-4000D



*Pictured with optional wrap station components.*

**Price and availability confirmation recommended**

An ISO 9001 Registered Company © 2020 Rice Lake Weighing Systems 04/01/20 Prices and specifications subject to change without notice. Visit [ricelake.com](http://ricelake.com) for current prices.

**RICE LAKE**  
WEIGHING SYSTEMS

Discontinued Products

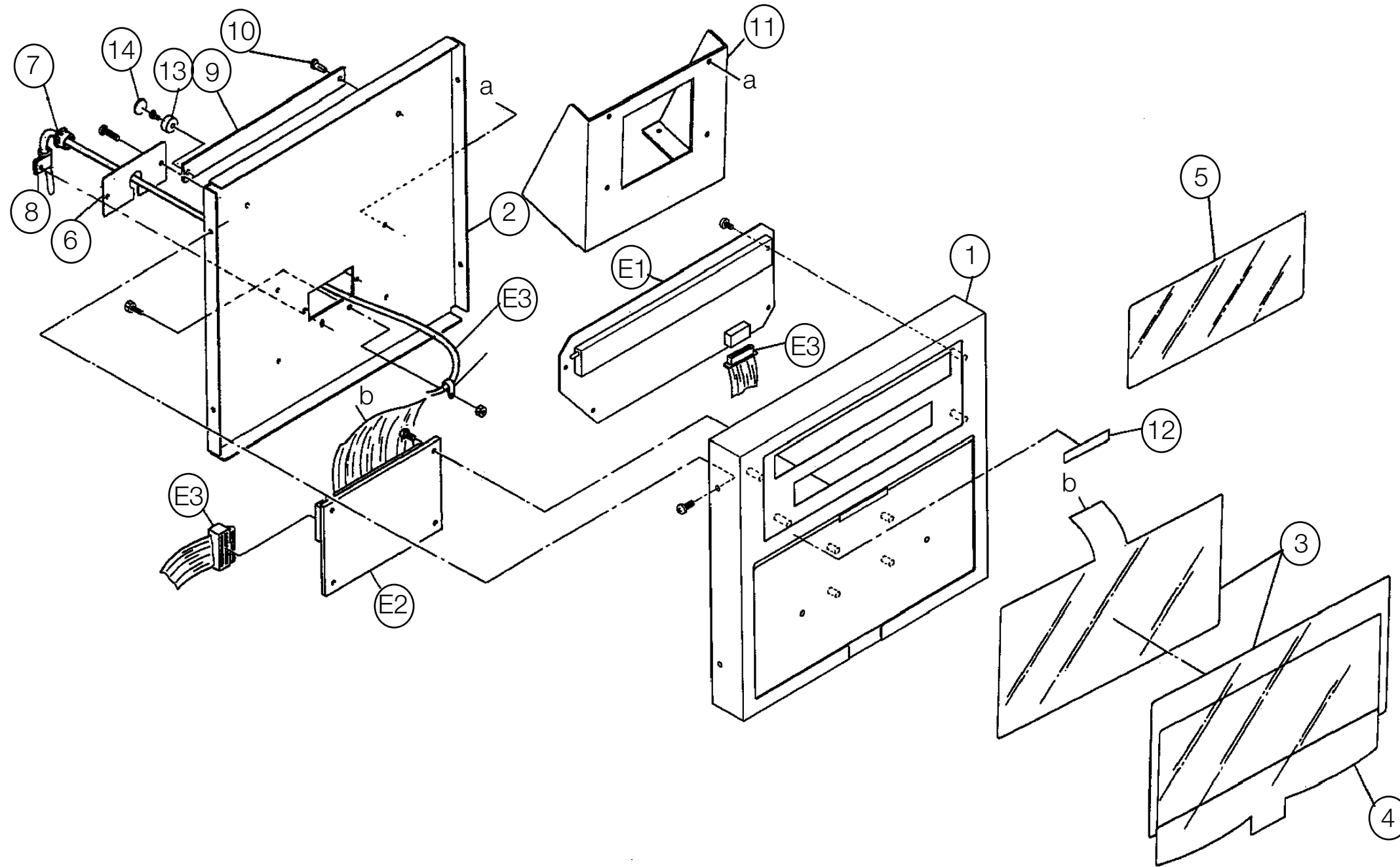
# Operation Unit

## Part Number/Price

REF #	PART #	DESCRIPTION	PRICE
1	Consult	Housing, 89-444-03	\$326.75
2	47012	Bracket, display	\$211.00
3	80984	Sheet, keyboard assembly	\$93.00
4	46993	Keysheet, operator, 40-3654-03	\$4.25
5	85825	Sheet display panel	\$17.75
6	47014	Plate B	\$12.25
7	47015	Accessory, bush open lock	\$2.25
8	66390	Accessory, clamp	\$1.25
9	Consult	Name plate specification, 89-4416-09	\$5.50
10	42861	Push rivet, white, nylon	\$1.50
11	50290	Stand, operation unit	\$71.00
12	Consult	Name plate, warning "Not for Direct Sale", 89-4436-03	\$2.75
E1	84040	Display module	\$528.50
E2	47006	PWB, P-862 buzzer board	\$67.75
E3	47018	Harness, C3 console 1	\$235.00

# AC-4000D

Operation Unit



# Scale Assembly

## Part Number/Price

REF #	PART #	DESCRIPTION	PRICE
1	47033	Scale platter, 00-6144-14	\$73.25
2	45151	Sheet, insulator	\$24.00
3	45144	Platter supporter	\$35.00
4	41706	Supporter rubber	\$2.00
5	47036	Rubber pad	\$2.00
6	47029	Enclosure, top cover	\$70.00
7	47034	Cap	\$16.00
8	42857	Level lens	\$3.00
9	Consult	Push rivet, 04-9688-04	\$1.25
15	Consult	Level assembly, 89-4136-06	\$11.50
16	Consult	Bracket level, 89-3192-01	\$52.25
17	47021	Threaded rod, hex, MF	\$6.00
18	47022	Base	\$55.00
19	47019	Main body, base cover	\$118.00
20	47024	Leg, level adjust	\$4.00
23	Consult	Name plate special, 89-4416-09	\$8.50
24	Consult	Plate A, 00-8183-08	\$9.50
25	Consult	Plate B metal, 89-4472-08	\$11.50
27	47025	Seal	\$1.25
28	47031	Name plate, "Ishida"	\$4.75
29	42734	Push rivet	\$1.00
30	Consult	Name plate, specification, 54-2153-09	\$2.25
31	85826	Load cell assembly	\$327.75

Price and availability confirmation recommended

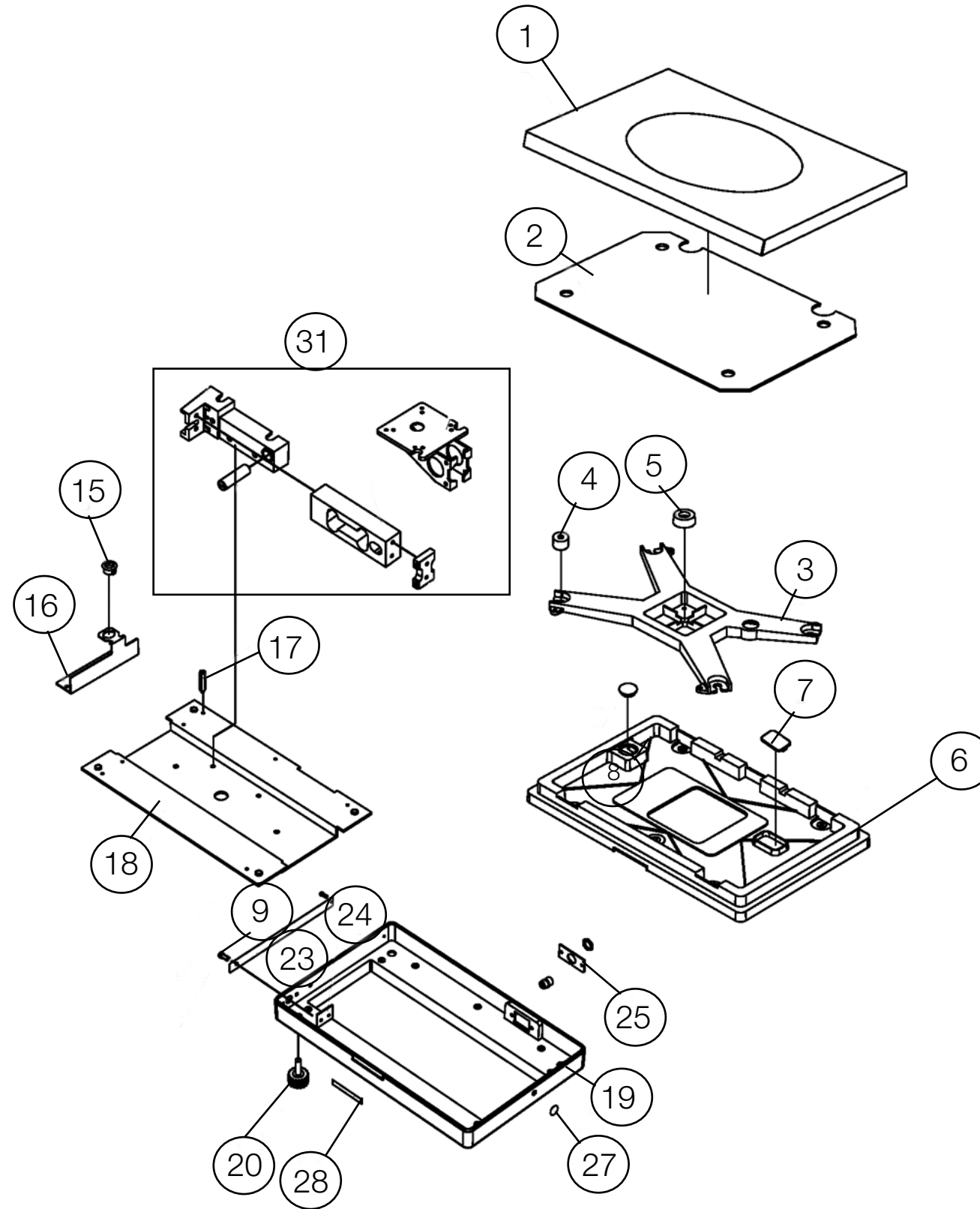
An ISO 9001 Registered Company © 2020 Rice Lake Weighing Systems 04/01/20 Prices and specifications subject to change without notice. Visit [ricelake.com](http://ricelake.com) for current prices.

**RICE LAKE**  
WEIGHING SYSTEMS

Discontinued Products

# AC-4000D

Scale Assembly



# Printer Assembly

## Part Number/Price

REF #	PART #	DESCRIPTION	PRICE
1	45145	Step screw, pan	\$4.50
2	84372	Bracket, head	\$49.25
3	45147	Spacer, head	\$54.75
4	45159	Spring coil, compressive	\$1.25
6	45161	Timing pulley, XL AF	\$14.50
8	84063	Bearing radial, 6 mm x 10 mm SST	\$18.50
9	45175	Motor assy, stepping	\$154.00
10	45186	Bracket, lock head	\$7.75
11	45187	Frame head	\$123.50
12	45188	Threaded rod, round FF	\$17.75
13	45201	Guide label	\$9.50
14	45203	Spring coil, comprehensive	\$1.25
15	45206	Spring coil, tension	\$1.75
16	45204	Spring coil, tension	\$1.75
17	45207	Spring coil, comprehensive	\$12.00
18	84070	Bearing radial, 5 mm ID x 10 mm OD SST	\$15.75
19	45209	Spacer	\$9.50
20	45211	Spacer	\$3.00
21	45213	Collar washer	\$1.25
22	45214	Collar washer	\$1.25
23	45216	Collar washer	1.50
24	45217	Winding sleeve	\$4.50
25	45218	Shaft, winding	\$49.25
26	44224	Pin, type U	\$8.75
28	45221	Shaft, fulcrum	\$3.50
29	45222	Shaft, lock	\$82.00
30	45223	Threaded rod, round FF	\$4.75
31	45224	Roller, printer	\$15.50
32	Consult	Peeling bar, 89-2681-02	\$20.00
33	45226	Table, label	\$6.75
34	45227	Label press	\$1.50
35	45228	Timing pulley 12 x L0 37	\$5.50
36	45229	Timing pulley, XL AF	\$11.50
37	45232	Guide label	\$1.75
40	45233	Receipt cutter	\$30.50
41	45124	Cord bushing	\$1.50
42	47041	Name plate, explanation	\$62.25
43	Consult	Decal CE, 89-3420-01	\$1.25
44	47042	Plate B, frame	\$24.25
45	50288	Frame, drive R	\$17.25
46	50287	Frame, drive	\$23.00
47	Consult	Door for printer, 89-4445-07	\$130.25
48	Consult	Side cover, 89-4448-08	\$82.25
49	Consult	Front cover, 89-4446-01	\$138.50
50	Consult	Rear cover, 89-4449-01	\$70.75
51	Consult	Frame printer, 95-4136-15	\$212.25
52	47050	Hinge	\$18.50
53	85827	Timing belt	\$18.75
54	47052	Bracket, lever open	\$132.00
55	Consult	Plate A, 89-4438-01	\$9.50

Price and availability confirmation recommended

An ISO 9001 Registered Company © 2020 Rice Lake Weighing Systems 04/01/20 Prices and specifications subject to change without notice. Visit [ricelake.com](http://ricelake.com) for current prices.

**RICE LAKE**  
WEIGHING SYSTEMS

Discontinued Products

# Printer Assembly

## Part Number/Price

REF #	PART #	DESCRIPTION	PRICE
56	Consult	Plate A, 89-4437-07	\$7.50
57	47055	Lock, snap	\$44.75
59	Consult	Printer cover, 89-4447-04	\$94.75
60	47057	Hinge	\$59.50
62	45173	Threaded rod, hex, MF	\$9.50
63	45181	Name plate, specification	\$29.75
65	Consult	Instruction, "label threading", 89-4435-00	\$8.50
66	Consult	Name plate, special, 89-4416-09	\$8.50
67	42861	Push rivet, white nylon	\$1.50
68	47059	Block A	\$123.50
71	47062	Magnet sheet	\$11.50
72	Consult	Accessory, bush universal, 50-0582-16	\$2.25
73	Consult	Spacer, 89-4492-02	\$4.25
74	Consult	Hexagonal bar, 89-4493-06	\$2.25
75	47065	Bracket, label	\$49.25
77	50284	Bracket, motor	\$17.25
78	50283	Bracket, winding	\$17.25
79	45160	Collar washer	\$1.25
84	Consult	Bracket, guard belt, 52-0428-10	\$34.50
85	Consult	Plate B metal, 89-4472-08	\$11.50
86	44426	Cord, bush	\$1.25
87	Consult	Plate A, 89-4450-06	\$12.50
88	Consult	Sealing wire with lead, 89-1460-02	\$2.25
89	45128	Screw, sealing brass	\$9.75
90	66390	Accessory, clamp	\$1.25
91	Consult	Nylon clamp, 89-4494-00	\$1.25
92	80992	Sticker, caution	\$1.25
E6	107694	PWB PK-950B-a CPU board, 2M, from s/n 811xxxx and B0401U or later	\$983.00
E7	85828	Harness, C2 sensor	\$12.50
E8	85829	Power supply	\$135.25
E10	85830	Harness for weighing unit	\$69.75
E11	85831	Harness, C3, console	\$80.25
E13	45238	Harness, SW, thermal head	\$14.75
E14	47073	Harness, S2, PS	\$29.75
E16	66354	Label sensor assembly	\$31.00
E17	45244	Harness, C3, PS	\$4.75
E18	45241	Fuse, assy	\$15.25
E19	80993	Fuse	\$1.25
E20	66398	Switch	\$10.75
E21	85832	Power cord	\$18.75
E22	80953	Photo reflector, peeling sensor	\$44.75
E23	45237	Printer, thermal printhead	\$224.00
--	48239	Screw, button head, M3x6, printhead mount	Consult
E24	84072	Harness, S2, TCP/IP	\$6.00
E25	84033	Harness, C2, RS-232C	\$21.00
E26	80955	PWB, PK-236, calibration switch	\$16.75
E27	80956	Harness, C2, span	\$5.25
E28	80967	PWB PK-232 TCP/IP	\$40.75
E29	80971	Battery	\$44.75
E30	84073	Harness motor	\$4.50
E31	80973	PWB PK-229 (A/D board)	\$211.25
--	114042	PWB PK-229 (A/D board), with ground wire	\$225.00

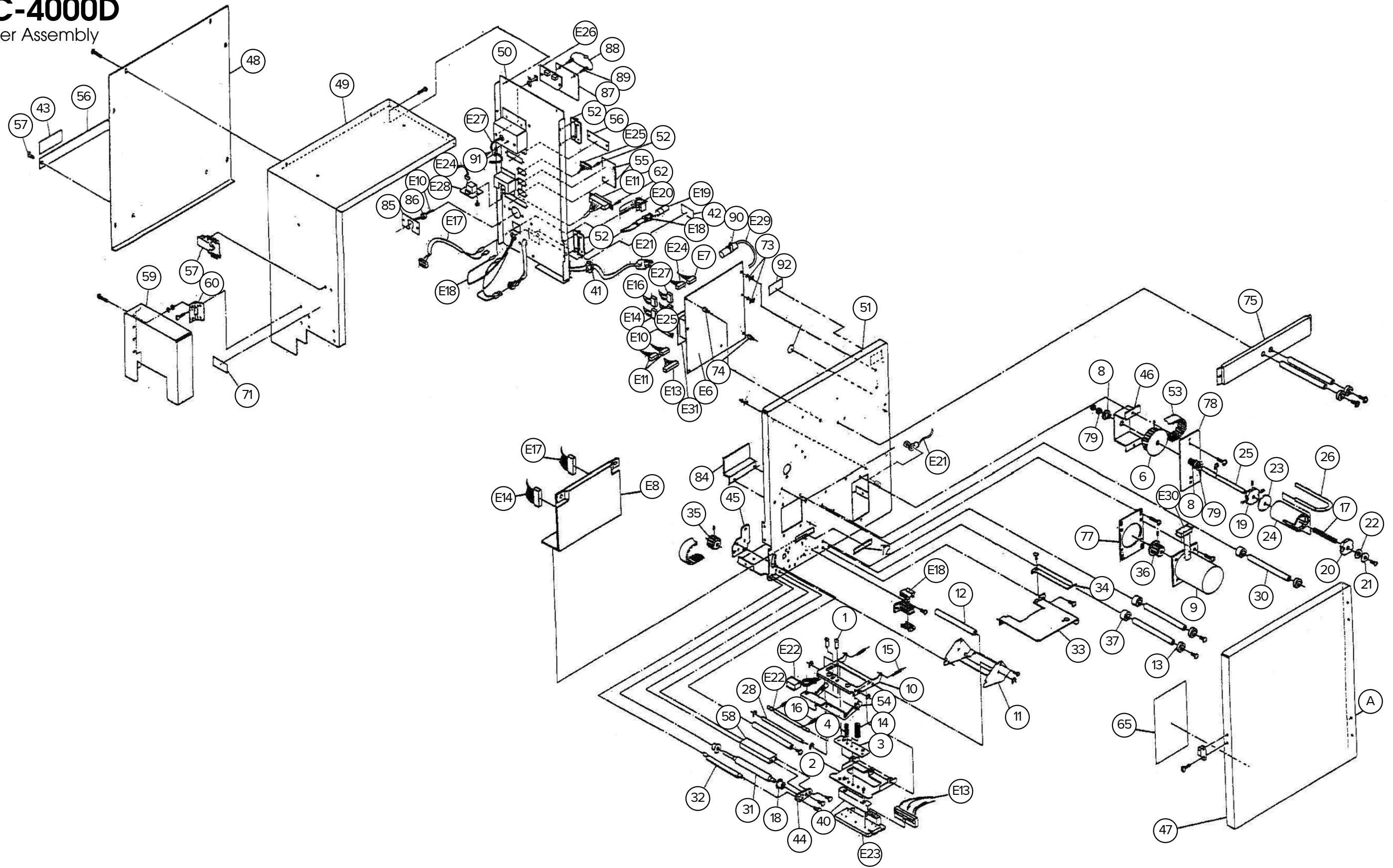
Discontinued Products

Price and availability confirmation recommended

An ISO 9001 Registered Company © 2020 Rice Lake Weighing Systems 04/01/20 Prices and specifications subject to change without notice. Visit [ricelake.com](http://ricelake.com) for current prices.

# AC-4000D

Printer Assembly



© 2010 OHAUS CORP. ALL RIGHTS RESERVED. OHAUS IS A TRADEMARK OF OHAUS CORP. OHAUS WEIGHING SYSTEMS IS A TRADEMARK OF OHAUS CORP. OHAUS WEIGHING SYSTEMS IS A TRADEMARK OF OHAUS CORP.