

# AC-3000

Mechanical Assembly



## Part Number/Price

Ref#	Part#	Description	Price
1	45138	Base, main body, 40-1039-14	Consult
3	45140	Panel, keyboard, 40-1040-00	Consult
4	45141	Cover, printer, upper, 40-1041-03	Consult
5	45142	Cover, printer, side, 40-1042-07	Consult
6	45143	Block B, printer, 40-1044-13	Consult
7	45144	Platter supporter, 00-6131-07	Consult
8	45145	Step screw, pan, 36-0942-00	Consult
9	45146	Bracket, head, 39-4218-11	Consult
10	45147	Spacer, head, 39-4271-29	Consult
11	45148	Bracket, keyboard, 38-3999-25	Consult
12	45149	Plate B, 38-3986-27	Consult
13	45150	Plate B, 38-3987-11	Consult
14	45151	Sheet insulator, 89-1175-10	Consult
17	45154	Guide, 36-2604-08	Consult
20	45157	Threaded rod, hex, MF, 40-3635-02	Consult
21	45158	Platter, 40-3636-15	Consult
22	45159	Spring, coil, compressive, 08-7049-06	Consult
23	45160	Collar, washer, 02-8254-03	Consult
24	45161	Timing pulley, XL, AF, 00-6547-02	Consult
25	45162	Motor spacer, 00-6181-03	Consult
26	42857	Lens, 89-1219-01	Consult
27	45164	Level assembly, bubble, window, 11-2855-01	Consult
28	45165	Radial bearing, 00-3685-02	Consult
30	45167	Supporter rubber, 00-6142-08	Consult
31	45168	Rubber pad, 01-4849-07	Consult
32	44423	Leg, adjusting, 23-3052-14	Consult
33	45169	PWB accessory, collar bushing, 18-9618-01	Consult
34	45170	PWB accessory, collar bushing, 00-1973-08	Consult
36	45172	Collar, 01-3951-01	Consult
37	45173	Threaded rod, hex, MF, 39-4383-13	Consult
38	45174	Push rivet, 36-3442-05	Consult
39	45175	Motor Assembly, stepping, 40-3898-14	Consult
55	46952	Plate B, insulator, 38-6571-08	Consult
56	46953	Lever, head, 36-2501-44	Consult
57	45157	Threaded rod, hex, MF, 40-3635-02	Consult
58	46915	Cassette, label, additional, 44-3743-01	Consult
59	46970	Nameplate, company name, 03-1253-11	Consult

(Diagram AC-3000-A)

# AC-3000

Mechanical Assembly



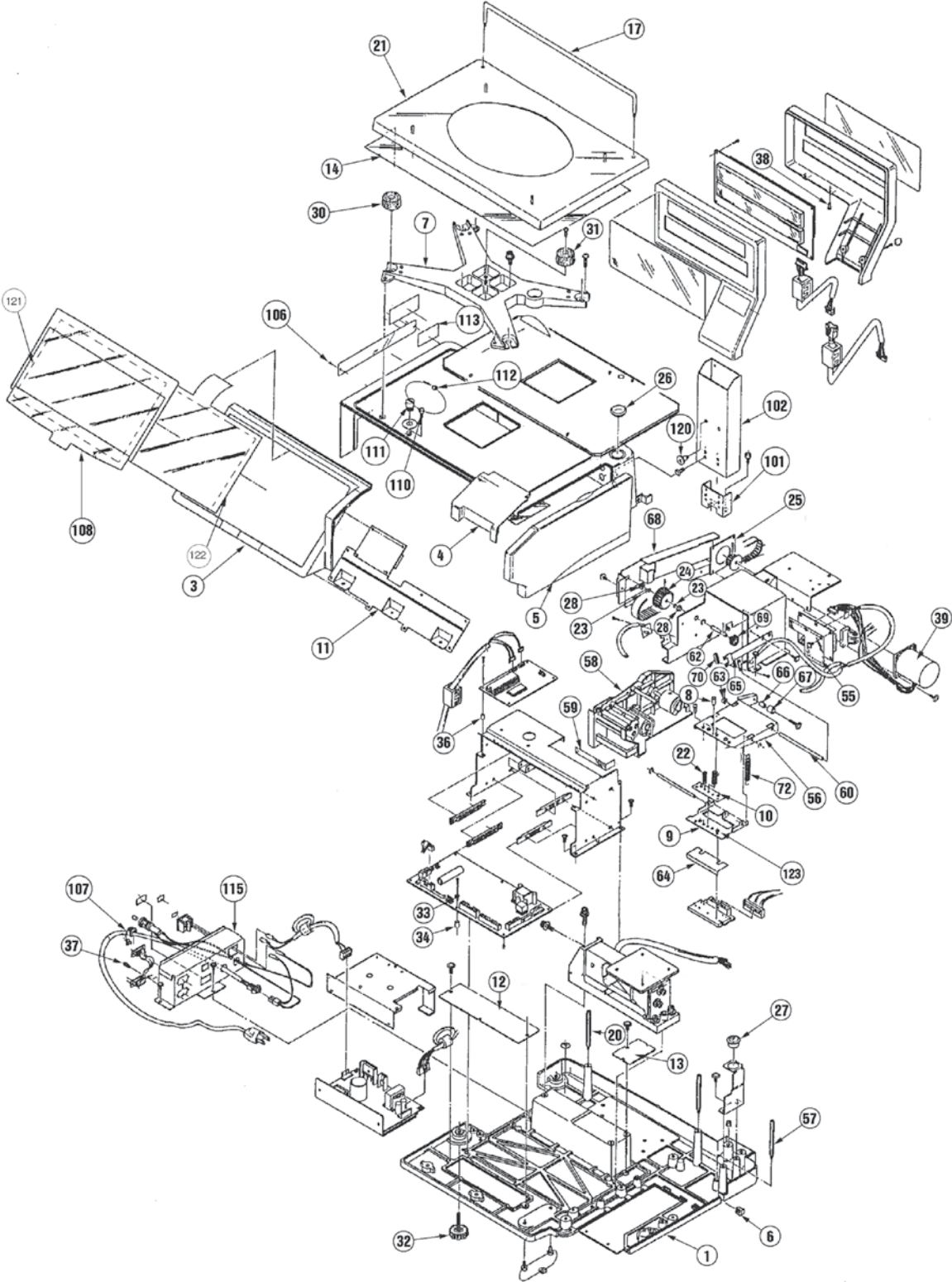
## Part Number/Price

Ref#	Part#	Description	Price
60	46955	Shaft, fulcrum, 03-1100-05	Consult
62	46957	Shaft, gear, 03-1102-11	Consult
63	46958	Collar A, 03-1107-01	Consult
64	45233	Cutter, receipt, 89-1359-09	Consult
65	46960	Lever, sensor, 38-3984-11	Consult
66	46961	Collar, 03-1106-07	Consult
67	46962	Collar, 03-1103-06	Consult
68	46963	Cover, belt, 38-3985-05	Consult
69	46964	Gear, flat, 03-1130-07	Consult
70	46965	Block B, 89-1367-09	Consult
72	46967	Spring, coil, tension, 00-0572-04	Consult
101	45119	Bracket, pole display, 40-1346-36	Consult
102	45120	Pole, display, 44-3756-27	Consult
106	42734	Push rivet, 00-4761-06	Consult
107	45124	Accessory, bushing cable, 43-3820-07	Consult
108	46993	Keysheet, operator, 40-3654-21	Consult
110	45128	Screw, 00-6609-00	Consult
111	45129	Seal screw, 01-4678-07	Consult
112	42735	Sealing stamp, 89-1457-01	Consult
113	45131	Nameplate, explanation, 24-0761-09	Consult
115	48261	Bracket, connector, 39-1639-15	Consult
120	45137	Step screw, 89-1486-09	Consult
121	47225	Keyboard sheet, transparent, includes adhesive spacer, 40-365-01	Consult
122	47226	Spacer adhesive, transparent sheet, 40-3658-08	Consult
123	41633	Screw, cap, M3x6, 02-1922-02	Consult

(Diagram AC-3000-A)

# AC-3000

Mechanical Assembly



AC-3000-A

Parts not listed are no longer available. Some parts listed may not be available.

An ISO 9001 registered company ©2019 Rice Lake Weighing Systems 05/19 Prices and specifications subject to change without notice. Visit [ricelake.com](http://ricelake.com) for current prices.