

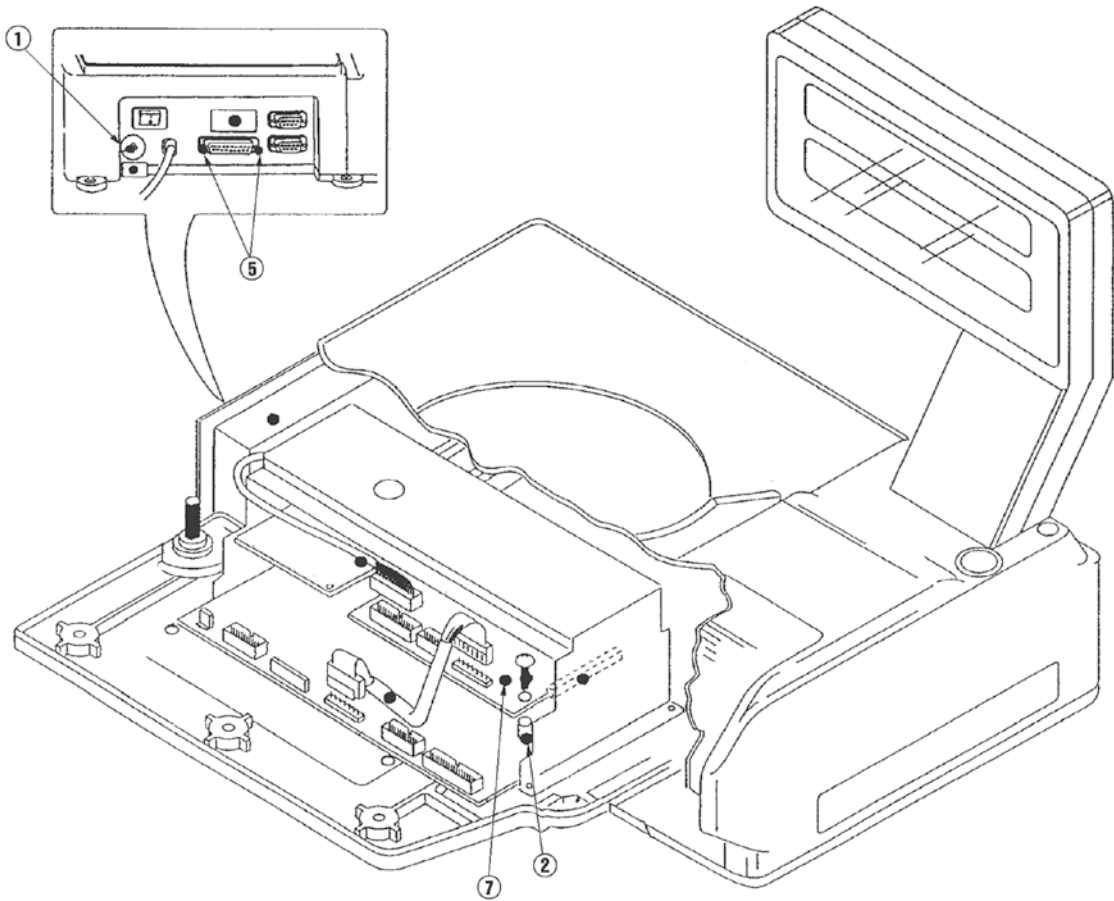
AC-3000

Master Board Assembly

Part Number/Price

Ref#	Part#	Description	Price
1	45241	Fuse assembly, 36-3404-12	Consult
2	45172	Collar, 01-3951-01	Consult
5	45173	Threaded rod, hex, MF, 39-4383-13	Consult
7	47660	PWB, master board, P-835B, 256K, board only, 36-3144-51	Consult
—	48286	PWB, master board, P-835B, 1Meg., board only, 41-7124-26	Consult

(Diagram AC-3000-C)



AC-3000-C

Parts not listed are no longer available. Some parts listed may not be available.

An ISO 9001 registered company ©2019 Rice Lake Weighing Systems 05/19 Prices and specifications subject to change without notice. Visit ricelake.com for current prices.