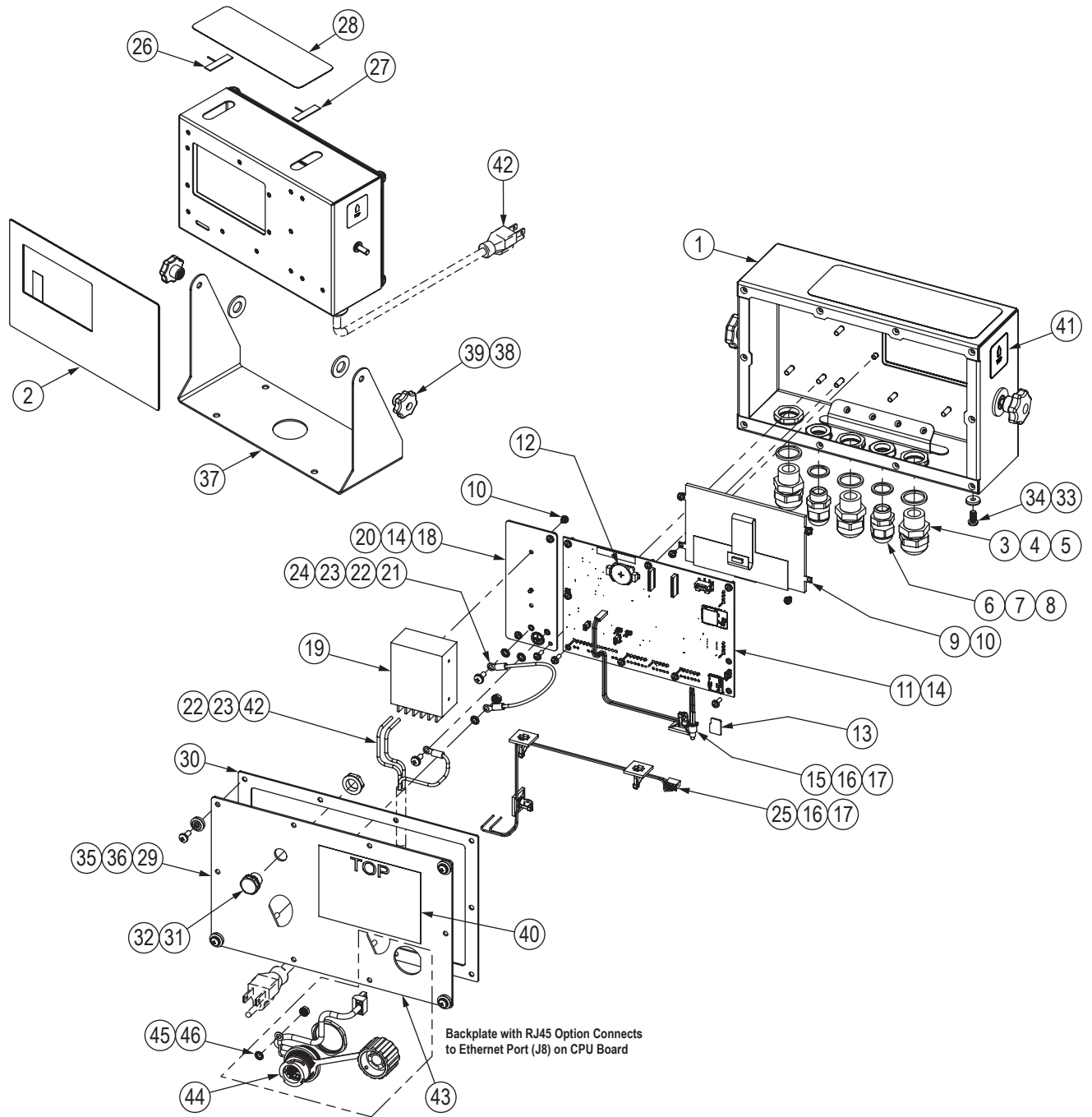




## Part Number/Price

Ref#	Part#	Description	Price
1	190231	Enclosure, 682 Plus indicator LCD display	\$275.00
2	190232	Overlay, 682 Plus membrane switch with numeric keys	\$65.00
3	68600	Cord grip, PG-11	\$4.00
4	68599	Seal ring, PG-11	\$1.00
5	68601	Lock nut, PG-11	\$1.00
6	15626	Cord grip, PG-9	\$4.00
7	30375	Seal ring, PG-9	\$1.50
8	15627	Lock nut, PG-9	\$1.50
9	202248	Display, 5-inch LCD, 500 NIT, 800 X 480	\$99.00
10	199474	Machine screw M3-0.5 X 5 Phillips head, zinc SEMS with external tooth washer	\$2.00
11	211701	CPU board assembly with battery and memory card installed, ROHS	\$445.00
12	71408	Battery, CR2032 3V lithium	\$6.00
13	164939	Memory, 8G Micro SDHC Class 4 with SD adapter and USB reader	\$25.00
14	206442	Machine screw, M3-0.5 x 10 Phillips head, zinc SEMS with external tooth washer	\$1.00
15	193108	Setup switch assembly	\$20.00
16	15650	Mount, cable tie, 3/4 inch	\$1.50
17	15631	Cable tie, 3 inch nylon	\$1.50
18	192439	Bracket, power supply	\$15.00
19	193281	Power supply, 12V, 15W	\$25.00
20	16892	Label, ground protective earth IEC	\$1.50
21	15601	Ground wire, 6 inch w/ no. 8 eye connector	\$4.20
22	180856	Washer, M4 internal tooth	\$2.00
23	202140	Machine screw, M4-0.7 x 10 Phillips head, zinc SEMS with external tooth washer	\$1.00
24	180826	Nut, KEP M4 x 0.7 external tooth lock washer	\$2.00
25	193337	Cable assembly, power harness, 2 position, flying lead	\$25.00
26	206509	Antenna, 2.4/5 GHz strip RF, PCB trace 100 mm cable	\$9.00
27	206510	Antenna, 2.4/5 GHz strip RF, PCB trace 200 mm cable	\$12.00
28	207345	Overlay, 682 antenna cover black	\$15.00
29	192562	Backplate with GORE vent hole	\$30.00
30	84388	Gasket, backplate	\$9.45
31	88733	Vent, breather sealed Gortex membrane	\$22.00
32	88734	Nut, breather vent M12 x 1 thread	\$1.05
33	46381	Washer, bonded sealing SST #10 x 0.50 OD	\$2.00
34	180861	Machine screw, M5 x 0.8 x 10 mm slotted drilled cheese head	\$3.00
35	193230	Machine screw, M4 x 0.7 x 10 Phillips pan head	\$5.00
36	75062	Washer, bonded sealing #8, 7/16 OD	\$2.00
37	29635	Tilt stand, SST	\$35.00
38	103988	Washer, nylon 0.515 - 0.52	\$1.00
39	180825	Knob, M6 x 1 threaded, 32mm diameter	\$6.00
40	53307	Label, 4.0 x 2.875	\$2.00
41	53308	Label, 1.25 x 1.25 8000T	\$2.00
42	180842	Power cord assembly, Nema 5-15	\$25.00
	180850	Power cord assembly, Europe CEE7/7	\$25.00
	196900	Power cord assembly, UK plug BS1363, pigtail w/ring terminal	\$20.00
	196901	Power cord assembly, Australia/New Zealand 3112 plug, pigtail w/ring terminal	\$16.00
<b>Additional Parts Specific to 682 Indicator with RJ45 Option</b>			
43	198676	Backplate with Gore vent hole, RJ45 option <i>NOTE: Replaces 192562 in RJ45 option</i>	\$35.00
44	200296	RJ45 cable assembly, RJ45 bulkhead to four position 3.50 mm spacing connector	\$135.00
45	180856	Washer, M4 internal tooth	\$2.00
46	180826	Nut, KEP M4x0.7 external tooth lock washer	\$2.00

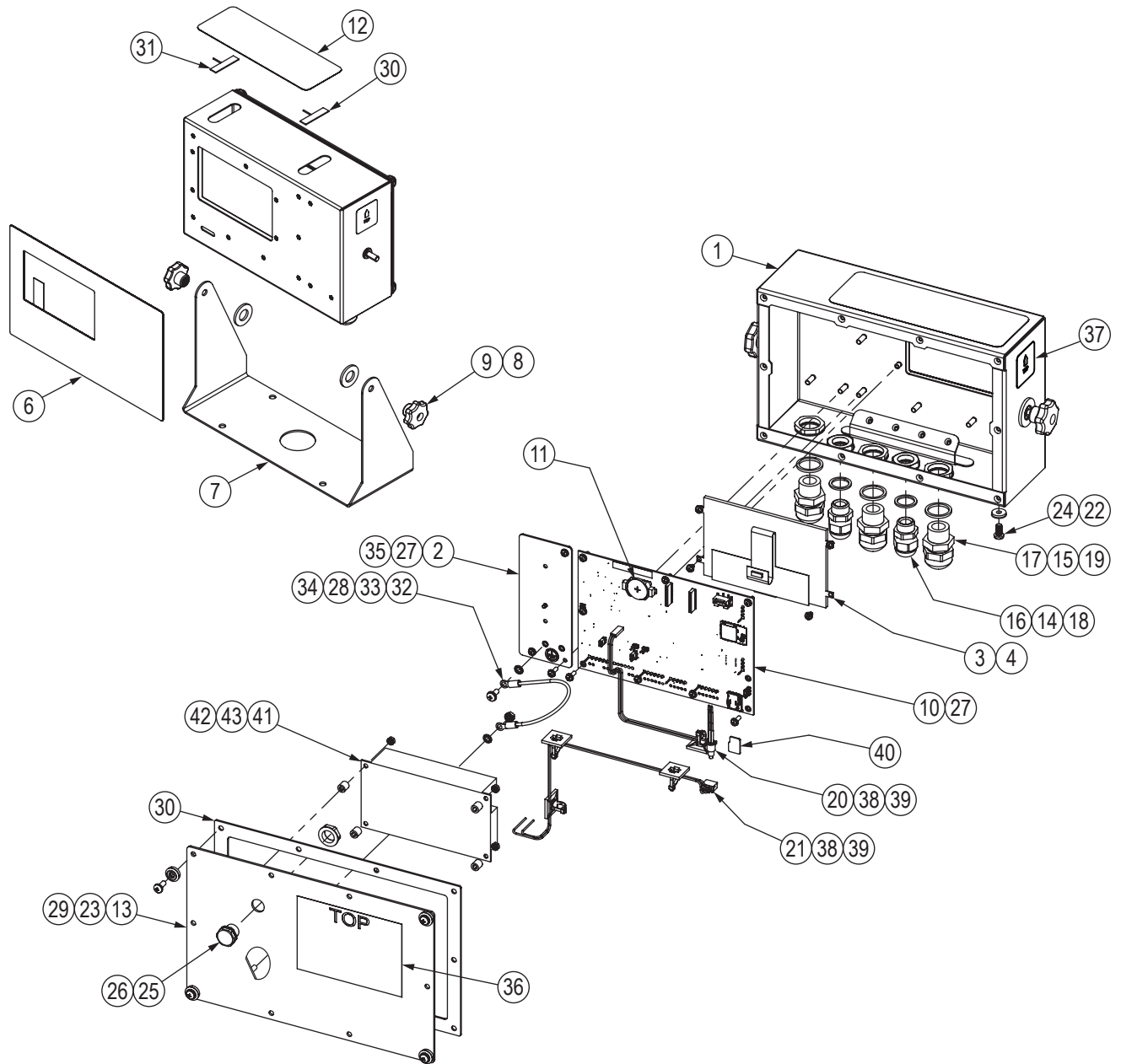


Indicators/Controllers



## Part Number/Price

Ref#	Part#	Description	Price
1	190231	Enclosure, 682 Plus indicator LCD display	\$275.00
2	192439	Bracket, power supply	\$15.00
3	199474	Machine screw M3-0.5 X 5 Phillips head, zinc SEMS with external tooth washer	\$2.00
4	202248	Display, 5-inch LCD, 500 NIT, 800 X 480	\$99.00
5	84388	Gasket, backplate	\$9.45
6	190232	Overlay, 682 Plus membrane switch with numeric keys	\$65.00
7	29635	Tilt stand, SST	\$35.00
8	103988	Washer, nylon 0.515 - 0.52	\$1.00
9	180825	Knob, M6 x 1 threaded, 32mm diameter	\$6.00
10	211701	CPU board assembly with battery and memory card installed, ROHS	\$445.00
11	71408	Battery, CR2032 3V lithium	\$6.00
12	207345	Overlay, 682 antenna cover black	\$15.00
13	211928	Backplate, 682 DC with Gore vent hole	Consult
14	30375	Seal ring, PG-9	\$1.50
15	68599	Seal ring, PG-11	\$1.00
16	15626	Cord grip, PG-9	\$4.00
17	68600	Cord grip, PG-11	\$4.00
18	15627	Lock nut, PG-9	\$1.50
19	68601	Lock nut, PG-11	\$1.00
20	193108	Setup switch assembly	\$20.00
21	193337	Cable assembly, power harness, 2 position, flying lead	\$25.00
22	46381	Washer, bonded sealing SST #10 x 0.50 OD	\$2.00
23	75062	Washer, bonded sealing #8, 7/16 OD	\$2.00
24	180861	Machine screw, M5 x 0.8 x 10 mm slotted drilled cheese head	\$3.00
25	88733	Vent, breather sealed Gortex membrane	\$22.00
26	88734	Nut, breather vent M12 x 1 thread	\$1.05
27	206442	Machine screw, M3-0.5 x 10 Phillips head, zinc SEMS with external tooth washer	\$1.00
28	202140	Machine screw, M4-0.7 x 10 Phillips head, zinc SEMS with external tooth washer	\$1.00
29	193230	Machine screw, M4 x 0.7 x 10 Phillips pan head	\$5.00
30	206510	Antenna, 2.4/5 GHz strip RF, PCB trace 200 mm cable	\$12.00
31	206509	Antenna, 2.4/5 GHz strip RF, PCB trace 100 mm cable	\$9.00
32	15601	Ground wire, 6 inch w/ no. 8 eye connector	\$4.20
33	180856	Washer, M4 internal tooth	\$2.00
34	180826	Nut, KEP M4 x 0.7 external tooth lock washer	\$2.00
35	16892	Label, ground protective earth IEC	\$1.50
36	53307	Label, 4.0 x 2.875	\$2.00
37	53308	Label, 1.25 x 1.25 8000T	\$2.00
38	15650	Mount, cable tie, 3/4 inch	\$1.50
39	15631	Cable tie, 3 inch nylon	\$1.50
40	164939	Memory, 8G Micro SDHC Class 4 with SD adapter and USB reader	\$25.00
41	209417	Power supply, DC/DC +12V, 9-36VDC input 30 watt	\$95.00
42	202064	Spacer, round nylon M3x0.250 OD x 0.260	\$1.00
43	202061	Nut, M3x0.5 hex KEP SST	\$1.00



Indicators/Controllers