



Picture is a representation of actual product

**Approvals**

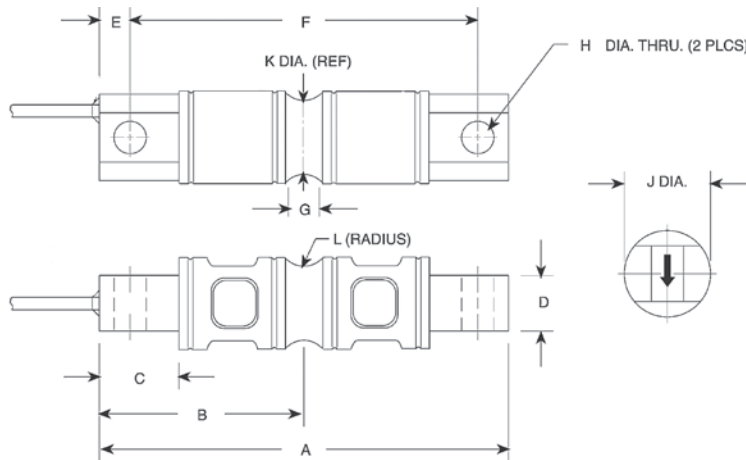


**Order Information**

| Load Rating | Part # | Est. Weight | Price   |
|-------------|--------|-------------|---------|
| 5,000 lb    | 34494  | 5 lb        | Consult |
| 10,000 lb   | 34495  | 5 lb        | Consult |
| 20,000 lb   | 34496  | 6 lb        | Consult |
| 30,000 lb   | 34497  | 19 lb       | Consult |
| 40,000 lb   | 34498  | 19 lb       | Consult |
| 50,000 lb   | 34499  | 19 lb       | Consult |
| 60,000 lb   | 34500  | 19 lb       | Consult |
| 75,000 lb   | 159506 | 19 lb       | Consult |
| 100,000 lb  | 34501  | 30 lb       | Consult |
| 150,000 lb  | 17292  | 35 lb       | Consult |
| 200,000 lb  | 17293  | 46 lb       | Consult |
| 250,000 lb  | 17294  | 92 lb       | Consult |

**Dimensions**

| Rated Capacity     | A     | B    | C    | D    | E    | F     | G    | H    | J     | K    | L    |
|--------------------|-------|------|------|------|------|-------|------|------|-------|------|------|
| 5,000 to 10,000    | 8.12  | 4.06 | 1.44 | 1.12 | 0.62 | 6.87  | 0.62 | 0.65 | 1.70  | 1.48 | 0.50 |
| 20,000             | 8.12  | 4.06 | 1.44 | 1.12 | 0.62 | 6.87  | 0.84 | 0.65 | 1.95  | 1.48 | 0.50 |
| 30,000 to 75,000   | 10.25 | 5.12 | 1.88 | 2.37 | 0.88 | 8.50  | 1.00 | 1.06 | 3.00  | 2.73 | 1.00 |
| 100,000            | 11.25 | 5.62 | 1.88 | 2.50 | 0.88 | 9.50  | 1.00 | 1.06 | 3.50  | 3.24 | 1.50 |
| 150,000            | 11.25 | 5.62 | 1.88 | 2.80 | 0.88 | 9.50  | 1.25 | 1.06 | 3.90  | 3.64 | 1.50 |
| 200,000 to 250,000 | 16.10 | 8.05 | 3.05 | 4.60 | 1.55 | 13.00 | 1.30 | 1.55 | 5.375 | 5.17 | 2.00 |



**Interchangeable Products**

RICE LAKE WEIGHING SYSTEMS  
**RL70000**  
**RL72020**.....page 124

**Weigh Module Available**

RICE LAKE WEIGHING SYSTEMS  
**EZ Mount 1**.....page 61

**Specifications**

- Full Scale Output:**  
3.0 mV/V
- Output Resistance:**  
700 (± 7) ohm
- Input Resistance:**  
700 (± 7) ohm
- Material/Finish:**  
High-alloy steel, nickel plated
- Temperature:**  
Compensated:  
14 °F to 104 °F (-10 °C to 40 °C)  
Operating:  
0 °F to 150 °F (-18 °C to 65 °C)
- Seal Type:**  
Environmentally sealed, IP67
- Safe Overload:**  
150% full scale
- Safe Sideload:**  
100% full scale
- Rated Excitation:**  
5 to 10 VDC (15 V maximum)
- Non-repeatability:**  
0.01% full scale
- Combined Error:**  
0.025% full scale
- Insulation Resistance:**  
5,000 megohm
- Deflection at Capacity:**  
5,000 lb: 0.02 in  
10,000 lb: 0.025 in  
20,000 lb: 0.042 in  
30,000 to 50,000 lb: 0.02 in  
60,000 lb: 0.025 in  
100,000 to 150,000 lb: 0.02 in  
200,000 to 250,000 lb: 0.035 in

- Cable Length:**  
30 ft
- Cable Diameter:**  
0.295 in  
Polyurethane jacket
- Cable Color Code:**  
Red +Excitation  
Black -Excitation  
Green +Signal  
White -Signal

**Warranty:**  
One-year limited

**Approvals:**  
NTEP  
cFMus

