

RoughDeck® SLV

Single Animal Livestock Scale



Approvals



Standard Features

- Mild steel construction
- Diamond safety thread plate deck
- Rigid-type structural steel channel frame
- NEMA Type 4X stainless steel side-access junction box without quick connector
- Signal trim summing board
- Four adjustable stainless steel SUREFOOT™ support feet
- SURVIVOR® EL147HE hostile environment load cell cable
- Four alloy steel load cells

Specifications

Full Scale Capacity:

4,000 lb, 1 lb increments

End Load Capacity:

125% full scale

Cable Length:

20 ft (6 m)

Warranty:

Two-year limited (scale only)

Approvals:

NTEP 92-001 Class III 4,000 d

Capacity not to exceed 4,000 lb x 1 lb and platform size not to exceed 32 sq ft

Part Number/Price

Part #	Capacity	Outside Dimensions	Est. Weight	Price
103617	4,000 lb, 20 ft without Quick Connect, modified to fit gate and rack (scale platform only)	8 × 3 ft	565 lb	Consult
78452	4,000 lb, 20 ft without Quick Connect (gate and rack not included) (scale platform only)	8 × 3 ft	565 lb	Consult
103619	4,000 lb, 20 ft without Quick Connect, modified to fit gate and rack (scale platform only)	8 × 4 ft	750 lb	Consult
78453	4,000 lb, 20 ft without Quick Connect (gate and rack not included) (scale platform only)	8 × 4 ft	750 lb	Consult
RoughDeck SLV 4,000 lb Bundle Package (Ships Assembled)				
231387	Scale Pkg, 3 × 8 ft, 4,000 lb capacity with swing gates, racks, kick plates, 380 Synergy indicator, factory calibrated prior to shipping with 1 lb increments.	8 × 3 ft	1,200 lb	Consult
231388	Scale Pkg, 3 × 8 ft, 4,000 lb capacity with slide gates, racks, kick plates, 380 Synergy indicator, factory calibrated prior to shipping with 1 lb increments.	8 × 3 ft	1,310 lb	Consult
231389	Scale Pkg, 4 × 8 ft, 4,000 lb capacity with swing gates, racks, kick plates, 380 Synergy indicator, factory calibrated prior to shipping with 1 lb increments.	8 × 4 ft	1,500 lb	Consult
231390	Scale Pkg, 4 × 8 ft, 4,000 lb capacity with slide gates, racks, kick plates, 380 Synergy indicator, factory calibrated prior to shipping with 1 lb increments.	8 × 4 ft	1,610 lb	Consult

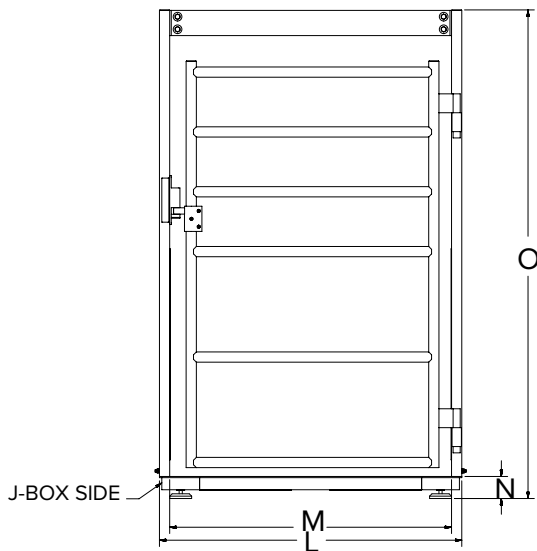
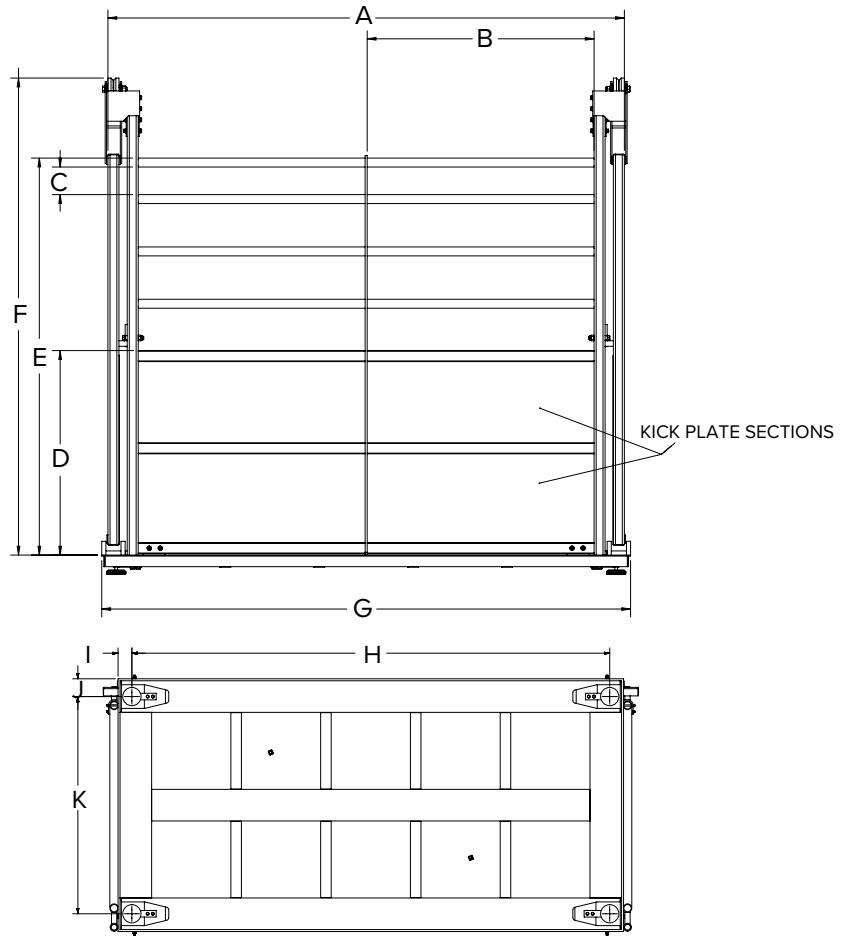
Options/Accessories

Part #	Description	Price
Consult	Smooth deck instead of diamond safety tread plate	N/C
Consult	Stainless steel load cells (RL32018S IP66) and hardware	Consult
Consult	Stainless steel hermetically sealed load cells (RL32218S-HE IP69K) and hardware	Consult
Consult	Angle iron bolted to scale for wood deck provisions (wood to be supplied by customer)	Consult
Consult	Rubber mat	Consult
226036	380 universal segmented LCD display, battery powered, Synergy Series with 4-pin quick connect ag scale cable	Consult
18777	Floor anchor plates, mild steel (set of 2)	Consult
18778	Floor anchor plates, stainless steel (set of 2)	Consult

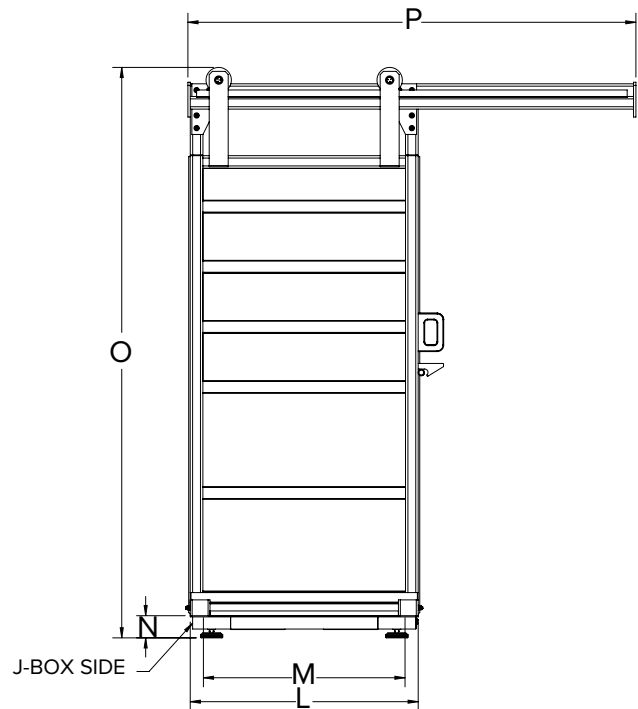
LIVESTOCK SCALES

Dimensions

RoughDeck SLV			
3 × 8 ft			
A	93.75 in	I	2.62 in
B	41.19 in	J	3.38 in
C	5.01 in	K	29.25 in
D	37.12 in	L	36.00 in
E	72.06 in	M	31.84 in
F	74.00 in (swing gate) 86.59 in (slide gate)	N	3.50 in
G	96.00 in	O	77.50 in (swing gate) 90.09 in (slide gate)
H	90.76 in	P	70.75 in
4 × 8 ft			
A	93.75 in	I	2.62 in
B	41.19 in	J	3.38 in
C	5.01 in	K	41.25 in
D	37.12 in	L	48.00 in
E	72.06 in	M	43.85 in
F	74.00 in (swing gate) 86.59 in (slide gate)	N	3.50 in
G	96.00 in	O	77.50 in (swing gate) 90.09 in (slide gate)
H	90.76 in	P	94.75 in



View of swing gate



View of slide gate